

PL-208R Wireless Electronic Switch User Manual

1. Introduction

The series of wireless electronic switch adopts wireless radio frequency control mode. remote non-directional, without space constraints. It can be wall and compartment remote control. Hundreds of millions of address codes never repeated. Similar products never string code. Matching remote controller can remote distance at least 100 meters. It has been widely used in many environments. Such as home, factory, warehouse, office room, store and so on. it is one of your ideal electronic switch. It classied products as wall switch and hand-held remote controller, it can matched with our wireless alarm control panel to use. normal simple design, electric supply input, and similar to most of occasions. Easy installation, beautiful design, it can directly embed in the hole or ceiling. Instead of traditional switch lamps or lights. Easy protability and comfort for Hand-held remote controller, to make you truly experience the fun of life and convenience. It adopts power saving mode design, battery for remote controller can use at least 1 year.

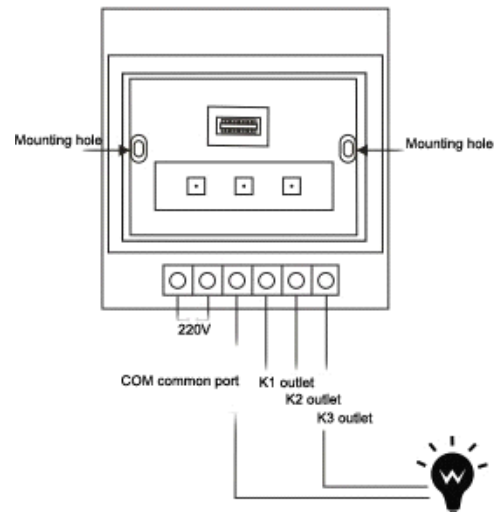
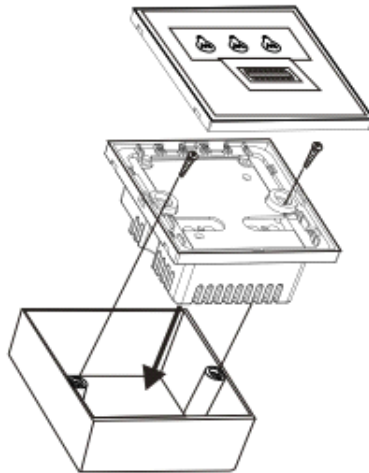
2. Specification

Input voltage: 220V AC
 Consumed power: 2W
 Most loading current: 5A
 Most loading voltage: < 500V
 Control mode: Wireless remote and manual control
 Remote distance: 100 meters(in the open air)



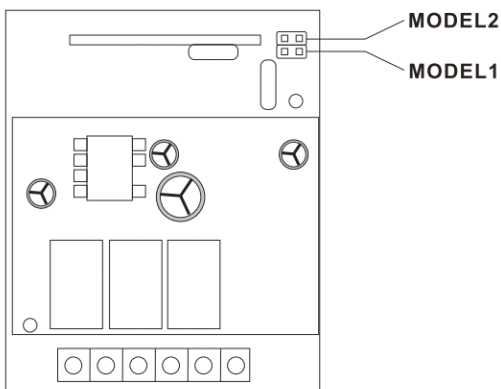
3. Installation

- 1) To make the shell around toward its outside and tear down the shell.
- 2) Pull up the switch, you will find two screw mounting hole.
- 3) Fine the power line and connect the line as right photo dispaly.
- 4) Put the switch into the wiring box and use two screws to fix.
- 5) Intall the surface shell well.



4. Jumper Switch Operation Notice

1]"MODEL 1" jumper pins is memory function programme switch. Set corresponding 3 channel power-cut memory



A Mode setting: MODEL 1 is in short circuit condition, after power on each use, the switch maintains last time's power-cut condition. (short circuit is factory default setting.)

Note: After operating the switch delay 5 seconds without electricity, it will maintains current condition.

B Mode setting: MODEL 1 is in short circuit condition, the switch maintains off after power on each time.


2] Set if it can connect with alarm control panel by MODEL 2.

A. In short circuit condition, electronic switch would not communicate with the alarm control panel. only with remote controller.

B. In open circuit condition, electronic switch communicate both alarm control panel and remote controller. Factory default is in open circuit condition.

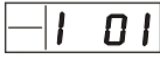
5. Introduce For 3 Channel Operation.

1. Touch button operation notice

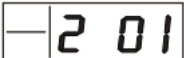
To touch  all the buttons, respectively control the corresponding switch ( off,  on)

2. Enroll to the alarm control panel setting. (MODEL 2 must be in open circuit condition)

Enroll first channel. First enter into the alarm control panel enroll menu, after hear the voice indication from the alarm

control panel, please trigger electronic switch, the LCD will display  . Then touch one channel switch you want to enroll untill its lights on and hold on 15 seconds .Till the touch button light blink every 0.1 seconds. At the


same time use your another hand to confirm button. Press  on panel. The panle will give a voice indication

enroll successfully, and The LCD will dispaly  and you can continue to enroll extra two channels by the same way or press panel's back button to exit.


3. Enroll to our EAVS series alarm control panel setting.

Touch one of channel you want to enroll untill its light on and hold on 15 seonds, till the light blink every 0.1 seconds frequency. Then the switch will emit the signal. (more details refer to the manual for the EAVS).

4. Enroll to the remote controller.

Touch three button  for 30 seconds untill its light. The light will blink every 0.5 seconds at the moment. Then trigger the any button on the remote controller, the three light will slow blink in one time and long light to exit at the moment. It means enroll succeed.

5. Delete remote code.

Touch three buttons  to off status at the same time, the light will be blink every 0.5 seconds. then quick blink 5 times and light off. Then delete all the remote.

6. Operation for remote controller.

