

PRODUCT SPECIFICATIONS

# See Thru (624WBSTB) Radiant Wood Burning



### INTERIOR DIMENSIONS

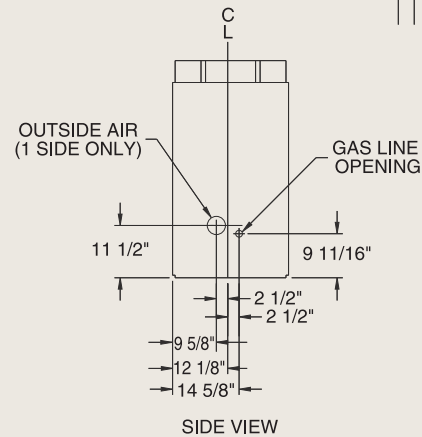
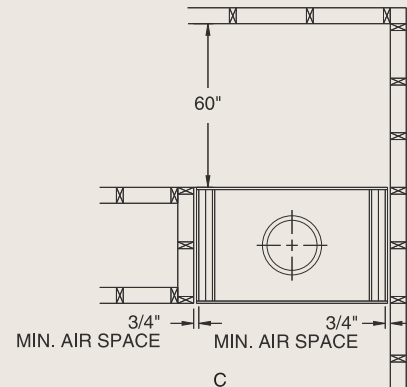
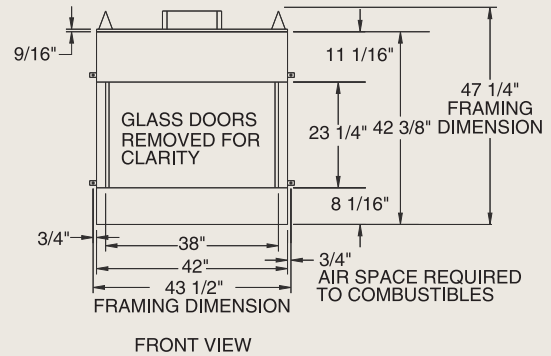
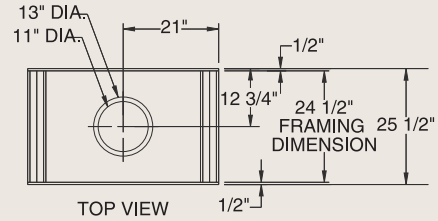
Front opening width: 38"  
 Front opening height: 23-1/4"

### TECHNICAL INFORMATION

Flue Series (Std.): "L" Series Double Wall  
 Flue Size: 11" Inner; 13" Outer  
 Clearance to Flue: 2"  
 Firestop Framing: 17" x 17"  
 Minimum Flue Height: 13'  
 Maximum Flue Height: 90'  
 Minimum Height with 2 Elbows: 13'  
 Minimum Height with 4 Elbows: 21'  
 Clearance to Fireplace: 3/4"  
 Minimum Hearth Size: 16" x 46-1/2"  
 OMNI Design Certified

### FIELD INSTALLED ACCESSORIES

Outside Air Kit: AK4, FP4U, 403  
 Terminations (Std.): "L" Series LC, LCL, CF11, LFSQT, LPC



Framing dimensions in illustrations accommodate 1/2" finishing material.



A Brand of Monessen Hearth Systems Co.  
 149 Cleveland Drive, Paris, Kentucky 40361

[www.monessenhearth.com](http://www.monessenhearth.com)



To avoid personal injury or property damage, the product described by this brochure must be installed, operated and maintained in strict compliance with the instructions packaged with the product and all applicable building or fire codes. Contact local building or fire officials about restrictions and installation inspection requirements. All photographs and drawings on this brochure are for illustrative purposes only and are not intended for, nor should they be used as a substitute for the instructions packaged with the unit. Appearance and specifications of the product are subject to change without notice. © 2007 Monessen Hearth Systems Co.