

THIS FILE IS MADE AVAILABLE THROUGH THE DECLASSIFICATION EFFORTS AND RESEARCH OF:

THE BLACK VAULT

THE BLACK VAULT IS THE LARGEST ONLINE FREEDOM OF INFORMATION ACT / GOVERNMENT RECORD CLEARING HOUSE IN THE WORLD. THE RESEARCH EFFORTS HERE ARE RESPONSIBLE FOR THE DECLASSIFICATION OF THOUSANDS OF DOCUMENTS THROUGHOUT THE U.S. GOVERNMENT, AND ALL CAN BE DOWNLOADED BY VISITING:

[HTTP://WWW.BLACKVAULT.COM](http://www.blackvault.com)

YOU ARE ENCOURAGED TO FORWARD THIS DOCUMENT TO YOUR FRIENDS, BUT PLEASE KEEP THIS IDENTIFYING IMAGE AT THE TOP OF THE .PDF SO OTHERS CAN DOWNLOAD MORE!

2

PL-TR-93-2219

AD-A277 469



4

High Frequency Active Auroral Research Program (HAARP) IMAGER

Cyril Lance
Robert H. Eather

Keo Consultants
27 Irving St.
Brookline MA 02146



30 September, 1993

Final Report
19 August, 1991 - 29 August., 1993

94-08551




Approved for public release; distribution unlimited



PHILLIPS LABORATORY
Directorate of Geophysics
AIR FORCE MATERIEL COMMAND
HANSCOM AIR FORCE BASE, MA 01731-3010

07 2 16 067

"This technical report has been reviewed and is approved for publication"


EDWARD J. WEBER
Contract Manager


EDWARD J. BERGHORN
Branch Chief


WILLIAM K. VICKERY
Division Director

This document has been reviewed by the ESC Public Affairs Office (PA) and is releasable to the National Technical Information Service (NTIS).

Qualified requestors may obtain additional copies from the Defense Technical Information Center (DTIC). All others should apply to the National Technical Information Service (NTIS).

If your address has changed, or if you wish to be removed from the mailing list, or if the addressee is no longer employed by your organization, please notify PL/TSI, 29 Randolph Road, Hanscom AFB, MA 01731-3010. This will assist us in maintaining a current mailing list.

Do not return copies of this report unless contractual obligations or notices on a specific document requires that it be returned.

REPORT DOCUMENTATION PAGE

Form Approved
OMB No. 0704-0188

Public reporting burden for this collection of information is estimated to average 1 hour per response, including the time for reviewing instructions, searching existing data sources, gathering and maintaining the data needed, and completing and reviewing the collection of information. Send comments regarding this burden estimate or any other aspect of this collection of information, including suggestions for reducing this burden, to Washington Headquarters Services, Directorate for Information Operations and Reports, 1215 Jefferson Davis Highway, Suite 1204, Arlington, VA 22202-4302, and to the Office of Management and Budget, Paperwork Reduction Project (0704-0188), Washington, DC 20503.

1. AGENCY USE ONLY (Leave blank)		2. REPORT DATE 30SEP93	3. REPORT TYPE AND DATES COVERED Final 29AUG91 - 29AUG93	
4. TITLE AND SUBTITLE High Frequency Active Auroral Research Program (HAARP) Imager			5. FUNDING NUMBERS PE61107D PR 4029 TAOJ WU AC	
6. AUTHOR(S) Cyril Lance Robert Eather			Contract: F19628-91-C-0141	
7. PERFORMING ORGANIZATION NAME(S) AND ADDRESS(ES) Keo Consultants 27 Irving St. Brookline MA 02146			8. PERFORMING ORGANIZATION REPORT NUMBER	
9. SPONSORING/MONITORING AGENCY NAME(S) AND ADDRESS(ES) Phillips Laboratory 29 Randolph Rd. Hanscom AFB MA 01731-3010 Contract Manager: E. Weber/GPIA			10. SPONSORING/MONITORING AGENCY REPORT NUMBER PL-TR-93-2219	
11. SUPPLEMENTARY NOTES				
12a. DISTRIBUTION/AVAILABILITY STATEMENT Approved for public release; Distribution unlimited			12b. DISTRIBUTION CODE	
13. ABSTRACT (Maximum 200 words) A low-light-level monochromatic imaging system was designed and fabricated, which was optimized to detect and record optical emissions associated with high-power rf heating of the ionosphere. The instrument is capable of detecting very low intensities, of the order of 1 Rayleigh, from typical ionospheric atomic and molecular emissions. This is achieved through co-adding of ON images during heater pulses, and subtraction of OFF (background) images between pulses. Images can be displayed and analysed in real time, and stored on optical disc for later analysis. Full image processing software is provided, which was customized for this application and uses menu or mouse user interaction.				
14. SUBJECT TERMS Low-light-level imager; monochromatic imager; aurora; airglow; heating experiments			15. NUMBER OF PAGES 322	
			16. PRICE CODE	
17. SECURITY CLASSIFICATION OF REPORT Unclassified	18. SECURITY CLASSIFICATION OF THIS PAGE Unclassified	19. SECURITY CLASSIFICATION OF ABSTRACT Unclassified	20. LIMITATION OF ABSTRACT SAR	

2.5	Image Intensifier Performance.....	41
2.5.1	VARO Specifications.....	41
2.5.2	P20 Phosphor Spectral Curve.....	42
2.5.3	Intensifier Resolution and CCD resolution.....	43
2.5.4	Image Intensifier Mask.....	44
2.5.5	Flat-Field.....	47
2.5.6	Gain Calibration.....	50
2.5.7	Dark Noise.....	50
2.6	Filters.....	52
2.7	Spectral Calibration.....	59
2.8	Temperature Calibration.....	61
2.9	Vignetting.....	63
2.10	Sensitivity.....	65
2.10.1	Single Photon Case.....	65
2.10.2	Theoretical Sensitivity.....	66
2.10.3	Sensitivity Measurements.....	67
2.10.4	Sensitivity Specifications for the HAARP Imager.....	71

Chapter 3: Imager Hardware

3.1	Hardware Overview.....	72
3.2	CCD Control System.....	72
3.3	CCD Camera Head.....	75
3.4	PM516 CCD.....	76
3.5	KEO Control System.....	76
3.6	KEO Interface Card.....	76
3.7	Control Panel.....	78
3.8	Power I/O Card.....	78
3.9	Filter Wheel.....	79
3.10	Image Intensifier Control.....	79
3.11	Shutter Control.....	80
3.12	Power Supplies.....	82
3.13	Back Panel.....	83
3.14	Temperature Monitoring Equations.....	83

Chapter 4: Image Processing System

4.1	Overview.....	85
4.2	Image Processing Hardware.....	86
4.3	Understanding Image Processing on the HAARP system.....	90
4.3.1	Imaging Technologies AFG Hardware.....	90
4.3.2	Image Definitions: (General-Area-of-Interest GAOI).....	91
4.3.3	Image Memory Definitions.....	92
4.3.4	Limitations in the AFG Frame Buffer.....	94
4.4	AFG Hardware Configuration and Jumper Settings.....	95

Chapter 5: Using the MIPCTL Software

5.1	Overview.....	96
5.2	Using Windows and MIPCTL.....	96
5.2.1	Starting <i>Microsoft Windows 3.1</i>	96
5.2.2	Starting MIPCTL.....	96
5.2.3	MIPCTL Window and <i>Microsoft Windows 3.1</i>	98
5.3	MIPCTL Software Manual.....	99
5.3.1	COMM Menu Functions.....	99
5.3.2	CCD Menu Functions.....	101
5.3.3	CONTROL Menu Functions.....	103
5.3.4	VIEW Menu Functions.....	106
5.3.5	ANALYZE Menu Functions.....	114
5.3.6	Plotting Windows.....	121
5.3.7	Image Acquisition.....	126
5.3.8	HELP Menu.....	137
5.4	KEOCCD.INI -- System Initialization.....	139
5.5	Notes on AFG Board Failures.....	141

Chapter 6: Programmer's Details

6.1	ITEX Image File Format.....	143
6.2	Image Information and the Image File Header.....	144

6.3	Minimum Files needed to run MIPCTL.....	145
6.4	Files and Directory Structure for Program Development.....	146
6.5	Monitor Calibration using the AFG board.....	155
6.6	Commercial Software installed on the HAARP Computer.....	156
6.7	MIPCTL Programming Structures.....	161
6.7.1	General Area of Interest: GAOI.....	161
6.7.2	Image Structure: IMAGESTRUCT.....	162
6.7.3	Plot Window Structure: PLOTINFO.....	163
6.7.4	Image Information Structure: IMINFOSTRUCT.....	163
6.7.5	Image Overlay Object: IOO.....	164
6.7.6	Acquisition Entry Information: aqENTRYINFO.....	164
6.7.7	Acquisition Table Entry: aqTABLEENTRY.....	165
6.7.8	Acquisition Equipment: aqEQUIPMENT.....	165
6.7.9	Acquisition Entry Structure: aqENTRY.....	165
6.7.10	Acquisition Desktop: aqDESKTOP.....	166
6.8	Adding New Acquisition Operations to MIPCTL.....	166
6.9	Image Comment Chronological Definitions.....	171

Chapter 7: FORTH and DSP Programming

7.1	Overview.....	181
7.2	Advanced Technologies FORTH and DSP code.....	183
7.3	HAARP FORTH Code written by KEO Consultants.....	184
7.3.1	MIP Variables.....	186
7.3.2	MIP Utility Words.....	186
7.3.3	Error Checking System.....	187
7.3.4	MIP Command Words.....	188
7.3.5	MIP Command Loop Words.....	192
7.3.6	Autostart Words.....	193
7.4	System Cop Explanation.....	193
7.5	MIP Command Format.....	194
7.6	CCD Format Parameters.....	195
7.7	Recovery from a ROM Crash.....	196

Chapter 8: FORTH Code Listings

8.1	MIP10.FOR: KEO FORTH Code.....	199
8.2	KEOasm7.....	209
8.3	KEOrom7.....	215
8.4	KEOdsp7.....	219
8.5	KEOadc8.....	225
8.6	KEOtim7.....	226
8.7	KEOcmd7.....	230
8.8	FORTH Directory Contents C:\MIP\FORTH.....	235
8.8.1	Advanced Technologies FORTH Code.....	235
8.8.2	Advanced Technologies DSP Code.....	235
8.8.3	<i>KEO Consultants</i> FORTH Code.....	236
8.8.4	<i>KEO Consultants</i> FORTH Utilities.....	236
8.8.5	Compress and LINKLST Utilities.....	240

Chapter 9: KEO Consultants Hardware Schematics

9.1	HAARP Imager Hardware Block Diagram.....	242
9.2	Interface Board Layout.....	243
9.3	Interface Board Schematic.....	244
9.4	Interface GAL Timing Schematic.....	251
9.5	Interface GAL Program.....	252
9.6	HAARP CY545 EEPROM Rev. 3:2.....	254
9.7	HAARP Filter Wheel EPROM 27C16.....	255
9.8	Control Panel Layout.....	256
9.9	Control Panel Schematic.....	257
9.10	Power I/O Board Layout.....	262
9.11	Power I/O Board Schematic.....	263
9.12	Photodiode Amplifier Schematic.....	265
9.13	HAARP 5-Position Filter Wheel Schematic.....	266

Chapter 10: Advanced Technologies Hardware Schematics

10.1	HAARP Imager Hardware Block Diagram.....	268
10.2	Advanced Technologies Hardware Block Diagram.....	269
10.3	Mother Board Schematic.....	270
10.4	68HC11 Controller CCA Schematic.....	273
10.5	Controller PAL Program.....	276
10.6	68HC11 Pin Layout.....	277
10.7	Signal CCA Schematic.....	278
10.8	Clock Timing Generator CCA Schematic.....	280
10.9	CCD Interconnect Assembly.....	281
10.10	Driver CCA Schematic.....	282
10.11	Analog Processing CCA Schematic.....	286
10.12	Clock Power CCA Schematic.....	288
10.13	Case Temperature RTD.....	290
10.14	TEC Unregulated Power Supply Schematic.....	291

Chapter 11: Cabling and Internal Wiring

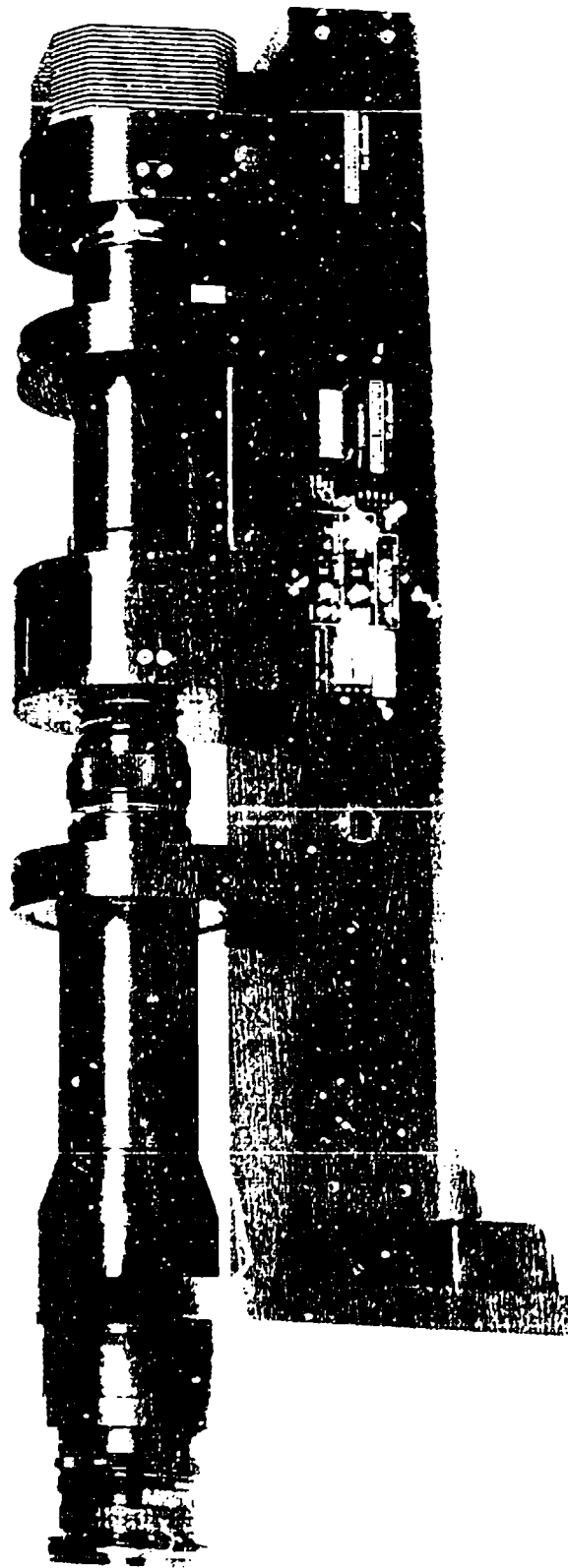
11.1	AC Power Wiring.....	293
11.2	DC Power Wiring.....	294
11.3	External Signal Cable Diagram.....	295
11.4	External Cable Pinout Documentation.....	296
11.5	Internal Rear Panel Signal Cable Pinouts.....	297
11.6	CCD Camera Head External Cable (to Signal CCA).....	299
11.7	CCD Camera Head Internal Cable.....	301
11.8	Shutter Connectors.....	303
11.9	Shutter Cable Diagram.....	304
11.10	Image Intensifier & TEC Power Cable.....	305
11.11	Filter Wheel Connector & Stepper Motor Diagrams.....	306
11.12	Filter Wheel & Temperature Control Cabling.....	307
11.13	Removing the Image Intensifier.....	308

Figures

1.1	Ray Diagram for Fish-eye Lens.....	3
1.2	Telecentric Element Configuration.....	4
1.3	Ray Diagrams for Lenses with smaller fields-of-view.....	7
1.4	Deviation from Perfect Telecentricity.....	8
1.5	Re-Imaging Optics Schematic.....	8
1.6	Field Lens and Close-up Lens.....	9
1.7	Field Curvature Correction.....	11
1.8	GenII Inverter tube Schematic.....	12
1.9	Relay Lens Considerations.....	16
2.1	CCD Orientations 9/23/92.....	18
2.2	Advanced Tech. Original CCD Performance Specifications 6/24/92.....	19
2.3	Advanced Tech. Original CCD Images 6/24/92.....	21
2.4	Advanced Tech. RMA 11/17/92 Images.....	22
2.5	CCD Flat-Field Image.....	23
2.6	Column Plot from Flat-Field Image.....	24
2.7	CCD Resolution Image.....	25
2.8	CCD Bias Image.....	26
2.9	Column Plot from Bias Image.....	26
2.10	Dark Noise Integration.....	28
2.11	CCD Dark Count verses Temperature.....	29
2.12	CCD Cover Plate Screws.....	33
2.13	Relay Lens Configurations for MTF Calculations.....	34
2.14	Rodenstock Relay Lens MTF Calculations.....	35
2.15	KEO Modifications to Melles-Griot Shutters.....	36
2.16	Typical Intensifier Output Curves.....	37
2.17	PhotoDiode Output Curves.....	39
2.18	VARO Intensifier Specifications.....	41
2.19	P20 Phosphor Spectral Curve.....	42
2.20	System Resolution with Intensifier.....	44
2.21	Image Intensifier Edge Effects.....	45
2.22	Fisheye Image on the Intensifier (no Mask).....	45

2.23	Image Intensifier with Mask.....	47
2.24	Image Intensifier Flat-Field Calibration Setup.....	48
2.25	Profile of Intensifier Flat-Field Image.....	49
2.26	Image Intensifier Flat-Field Image.....	49
2.27	Trialkali Photocathode Dark Current Curve.....	50
2.28	HAARP Intensifier Dark Current Curve.....	51
2.29	Optical Setup for Flat-Fielding Interference Filters.....	52
2.30	Filter Transmission Curve for 4282Å Filter.....	53
2.31	Filter Transmission Curve for 4867Å Filter.....	54
2.32	Filter Transmission Curve for 5300Å Filter.....	55
2.33	Filter Transmission Curve for 5581Å Filter.....	56
2.34	Filter Transmission Curve for 6304Å Filter.....	57
2.35	Filter Transmission Curve for 7778Å Filter.....	58
2.36	Spectral Output Curve for KEO Light Source #2.....	59
2.37	HAARP Imager Spectral Sensitivity.ht Source #2.....	61
2.38	System Vignetting with 300mm Lens.t Source #2.....	63
2.39	System Vignetting with Fisheye Lens.....	64
2.40	Radial Linearity of Fisheye Lens.....	64
2.41	System Sensitivity: 4867Å, CCD HI, Int: 0, 35 R-sec.....	67
2.42	System Sensitivity: 4867Å, CCD HI, Int: 0, 9 R-sec.....	68
2.43	System Sensitivity: 4867Å, CCD HI, Int: 0, 5 R-sec.....	68
2.44	System Sensitivity: 4867Å, CCD HI, Int: 3, 5 R-sec.....	69
2.45	System Sensitivity: 4867Å, CCD HI, Int: 3, 2 R-sec.....	70
3.1	HAARP Hardware Block Diagram.....	73
3.2	Motorolla 68HC11 Block Diagram.....	74
4.1	AFG Block Diagram.....	89
4.2	AFG Board Jumper Settings.....	95
5.1	12 Bit Linear Gray Scale Output LUT.....	109
5.2	12 Bit Psuedo-Color Output LUT.....	109
5.3	Plot Output Text File Example.....	125
5.4	Acquisition Table Text File Example.....	131
5.5	KEOCCD.INI Text File Example.....	139

6.1	ITEX Image File Format.....	143
6.2	Image Information Comment String.....	144
6.3	MIPCTL Directory Structure.....	146



Chapter 1 HAARP Optics Design

1.1 Overview:

The objectives in the design of the HAARP optics were as follows:

- (i) Variable field of view, from 180° to $\sim 10^\circ$, with telecentric optics so as to allow the use of narrow-band interference filters (~ 2.0 nm bandwidth).
- (ii) Interchangeable filters (5-position filter wheel).
- (iv) Maximum sensitivity and resolution.
- (v) Minimum vignetting.

Normal camera lenses have large ray angles to the principal ray throughout their optical path, and so are unsuitable for use with narrow-band interference filters (see **Figure 1.1**). The shift of transmission wavelength with filter angle increases as the angle squared, so that larger ray angles rapidly requires much wider filters. To overcome this problem, telecentric systems can be designed, where the principal ray of all image-forming cones across the field of view cross the image plane parallel to the optical axis. Thus the maximum ray angles through the filter are determined only by the F number of the lens.

For low-light-level imaging, it is desirable to operate at the lowest F numbers possible. Lower F numbers mean higher ray angles through the filter, and so require wider-band filters. However narrow-band filters are readily available at much larger diameters than the imaging detectors, so that high F number images at the filter can be re-imaged to low F number images at the detector. [The Lagrange Invariant is conserved: $r \cdot \sin \alpha = \text{constant}$, where r is the image size and α is the half-angle of the image-forming cone.]

Thus the philosophy of the HAARP optical system was to use the largest diameter filters readily available ($\leq 4''$) at the desired bandwidths (~ 2.0 nm) to fill the filter area with a higher F number telecentric image, and then to re-image at low F number onto the detector. In this way we can effectively form monochromatic images of wide-angle fields (up to 180° fish-eye) onto a 25 mm image intensifier cathode, at an effective F numbers as low as F1.2.

1.2 Fisheye Lens Considerations:

Much of the operation of the HAARP instrument will be with a fisheye lens (180° field of view). The following describes properties of various configurations of such lenses:

A lens that covers a hemispherical field of view (180 degrees) is usually called a fish-eye lens. These lenses have inherent large distortion because it is not possible to form an image of a hemispheric field onto a plane without distortion. This distortion should not be considered as an aberration, but a necessary result of the projection.

There are five projection systems that have been used in fish-eye lens design. If the angle of an incident ray from an infinite object is θ and the coordinates of the image point be $r(\theta)$, then the projections are as follows (f is lens focal length):

1. $r = f \cdot \tan \theta$
2. $r = 2 f \cdot \tan (\theta/2)$
3. $r = f \cdot \theta$
4. $r = f \cdot \sin \theta$
5. $r = 2 f \cdot \sin (\theta/2)$

Projection 1 is that of a normal camera lens.

Projection 2 is called stereographic projection. A small circle on the hemisphere with its center at the lens is projected as a circle on the image plane, but the diameter of a circle at the edge of the image ($\theta = 180^\circ$) is 2x as large as the image of an equally large circle at the pole ($\theta = 0^\circ$). This projection is similar to our psychological perception of the whole sky.

Projection 3 is called equidistant projection, and is preferred for measurements of zenith and azimuth angles because of the linear relation between r and θ . However the image of a small circle is not a circle, and is approximately elliptical with the major axis aligned azimuthally.

Projection 4 is called orthographic projection. The area of an image is proportional to illumination by the object on a plane parallel to the film surface.

Projection 5 is called equisolid projection, and the solid angle $d\Omega$ is proportional to the corresponding area of the image. This projection is preferred for measuring relative areas of the sky (for example, % sky covered by clouds).

Almost all commercially available fish-eye lenses for 35 mm and medium format cameras are of the equidistant projection type, which minimizes contraction of the image near the edges of the field.

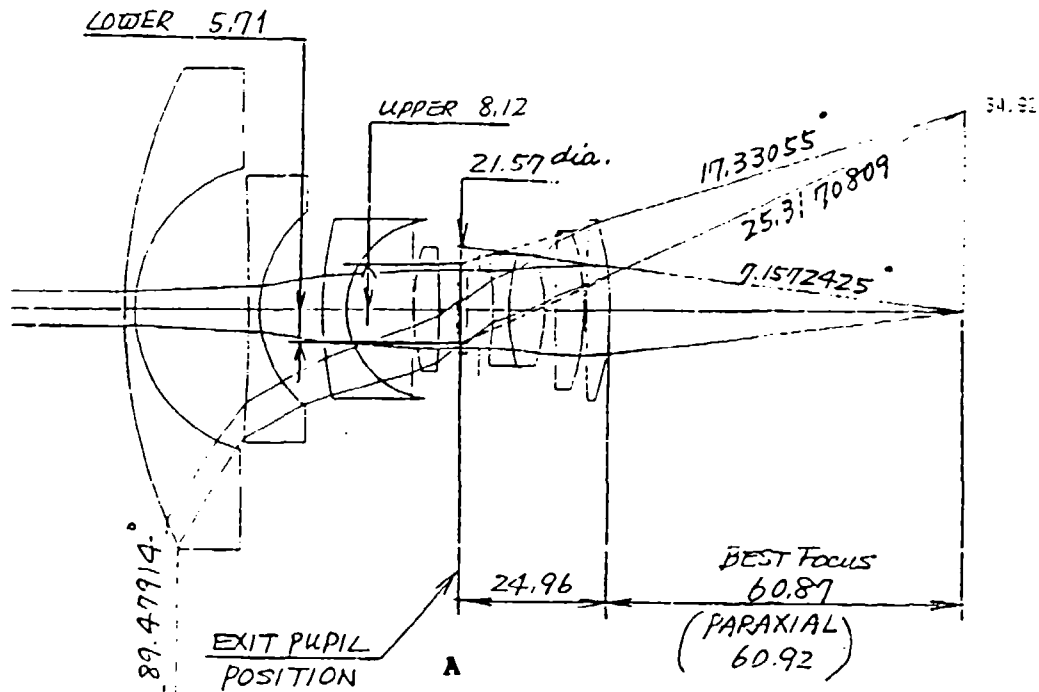


Figure 1.1: Shows a ray diagram for a typical fish-eye lens with F number equal to 4.0. The cone angle at the center of the image is $\pm 7.1^\circ$ about the principal ray. At the edge of the field of view (image diameter = 70 mm), the cone angle is only $\pm 4.0^\circ$ about the principal ray; the decrease from $\pm 7.1^\circ$ is indicative of the vignetting of the lens at large field angles. At the edge of the field, the image-forming cone spans a range of angles from $17.3^\circ - 25.3^\circ$ to the principal axis.

Clearly it is not possible to use a narrow-band interference filter in this situation, as transmission would vary significantly across the image.

Note: The shift in wavelength of peak transmission for parallel light incident on a filter at angle θ (radians) is given by:

$$\frac{\Delta\lambda}{\lambda} = -\frac{\theta^2}{2\mu^*2}$$

where μ^* is the effective refractive index.

Similarly, the shift in peak transmission for a cone of light of semi-angle α (radians) incident on a filter with the cone axis at normal incidence is given by:

$$\frac{\Delta\lambda}{\lambda} = -\frac{1}{2} \cdot \frac{\alpha^2}{2\mu^*2}$$

1.3 Commercial Lens Types:

There are a number of commercial "medium-format" camera lens ranges that give appropriate image sizes for the HAARP optics. Table 1 below compares these possibilities; here Efficiency is a measure of the total light collected by the lens into the image format of the lens (or throughput), so is proportional to Image Area divided by F number (or $d^2/F\#$). Consideration of the various options leads to the selection of the Pentax 6x7 series as being overall most suitable for this application.

1.4 Telecentric Optics:

The exit ray cones from a commercial fisheye lens are made telecentric by the addition of lenses near the image plane. Figure 1.2 shows the right-hand part of the ray diagram of Figure 1.1, with the addition of two plano-convex elements (B in Figure 1.2) to produce a telecentric configuration.

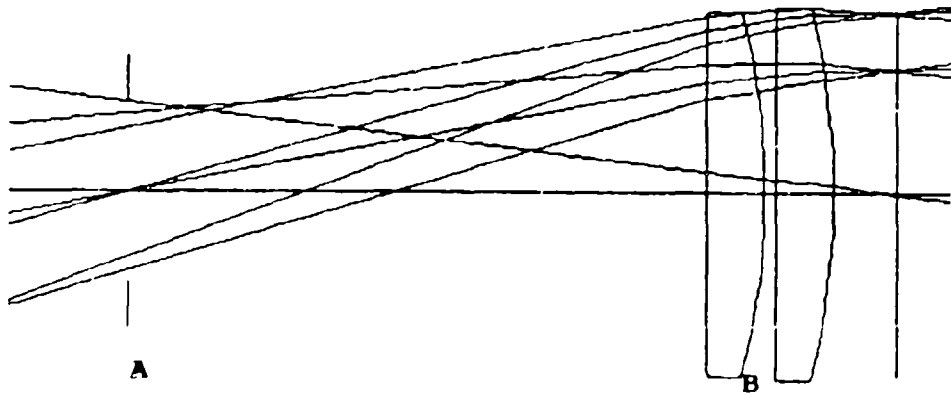


Figure 1.2: Telecentric element configuration

- Notes:
1. A single bi-convex lens would result in considerable spherical aberration.
 2. A single plano-convex lens would have a very small radius of curvature to achieve the required (small) focal length, and would have considerable spherical aberration (but less than Case 1).
 3. Two plano-convex lenses allows reasonable surface curvature, and further reduce spherical aberration compared to Case 2.
 4. Three plano-convex lenses would lead to a further small improvement in spherical aberration, but is not justified in terms of reduced transmission and expense.
 5. The orientation of the two plano-convex lenses is chosen to share refraction approximately equally between the four surfaces, leading to less aberrations than any other two-element configuration.

Medium Format Lens Comparisons for HAARP Imager

Lens Type	180 deg.	~ 75 deg.	~ 50 deg.	~ 28 deg.	~ 18 deg.	~ 10 deg.	~ 7 deg.	~ 5 deg.
Mamiya 645 (70mm diag.) Efficiency:	24mm/F4.0 1.00	45mm/F2.8 (used at F4.0) 1.00	80mm/F1.9 (used at F4.0) 1.00	150mm/F3.5 (used at F4.0) 1.00	210mm/F4.0 1.00	500mm/F5.6 0.50	None	None
Mamiya RB67 (92mm diag.) Efficiency:	37mm/F4.5 1.37	65mm/F4.5 1.37	90mm/F3.8 (used at F4.0) 1.73	180mm/F4.5 1.37	250mm/F4.5 1.37	500mm/F8.0 0.85	None	None
Pentax 6X7 (92mm diag.) Efficiency:	35mm/F4.5 1.37	55mm/F3.5 (used at F4.0) 1.73	90mm/F2.4 (used at F4.0) 1.73	150mm/F4.0 1.73	300mm/r-4. 1.73	500mm/F4.0 1.73	800mm/F4.0 1.73	1060mm/F8 0.43
Hasseblad (85mm diag.) Efficiency:	30mm/F3.5 (used at F4.0) 1.47	50mm/F4.0 1.47	80mm/F2.8 (used at F4.0) 1.47	150mm/F4.0 1.47	250mm/F5.6 0.74	500mm/F8.0 0.37	None	None

The Table above compares available commercial "medium format" lenses that give a ~ 3" - 4" image diagonal, consistent with using the largest practical interference filter for maximum light collection. Only lens brands that include a fisheye lens in the line are considered.

If we set the minimum F number for light through the filter at F4.0 (7° beam half angle), then the efficiencies shown are relative efficiencies referenced to the efficiency of a F4.0 lens with a 70 mm image circle (2:4" format). Note that some focal lengths are available at lower F numbers than F4.0, but using the lenses at these high apertures increases the cone angle of light through the filter, which necessitates wider bandwidth filters, with consequent transmission of more sky background. As the required filter bandwidth increases as the square of the cone angle, S/N is not improved by using lower F numbers

It may be seen that the Pentax range offers the best overall efficiencies. The Pentax range is particularly advantageous at higher focal lengths, which could be useful in the HAARP program for detailed imaging of heater spot structure.

Table 1

The effective focal length of the two plano-convex elements is chosen to equal the distance from the exit pupil [A in Figures 1.1, 1.2] of the lens to the principal plane of the two-lens combination [B in Figure 1.2]. Thus the principal rays of all image-forming cones are refracted parallel to the principal axis of the lens.

This is the so-called telecentric configuration. This allows the use of narrow-band interference filters, with a maximum ray angle through the filter determined by the F number of the lens (e.g., 7.1° for F4.0). Note that the image size is slightly smaller than that formed by the primary lens itself.

1.5 Variable Field of View:

Different primary lenses are used to achieve a range of fields of view, but in each case appropriate telecentric elements and spacings must be selected (see Figure 1.3). For the HAARP instrument, all primary lenses are in the same commercial series (Pentax 6x7 format), and these are mounted onto telecentric lens housings with the appropriate plano-convex elements and spacings. These combined primary lens/telecentric lens assemblies are then interchangeable, in that they all give the same image size and same telecentric cone angle, so that the following optics is the same for all.

1.6 Accuracy of Telecentricity:

The telecentricity achieved is not perfect, but varies across the image. Figure 1.4 shows the deviation from perfect telecentricity for the fisheye lens of Figure 1.1, with various combinations of two plano-convex telecentric elements. The zero crossover point can be set anywhere, and is normally chosen to be at about 0.75x the image radius so as to minimize the \pm deviations. (To achieve better telecentricity than the $\pm 1^\circ$ shown would require specially designed aspheric elements.)

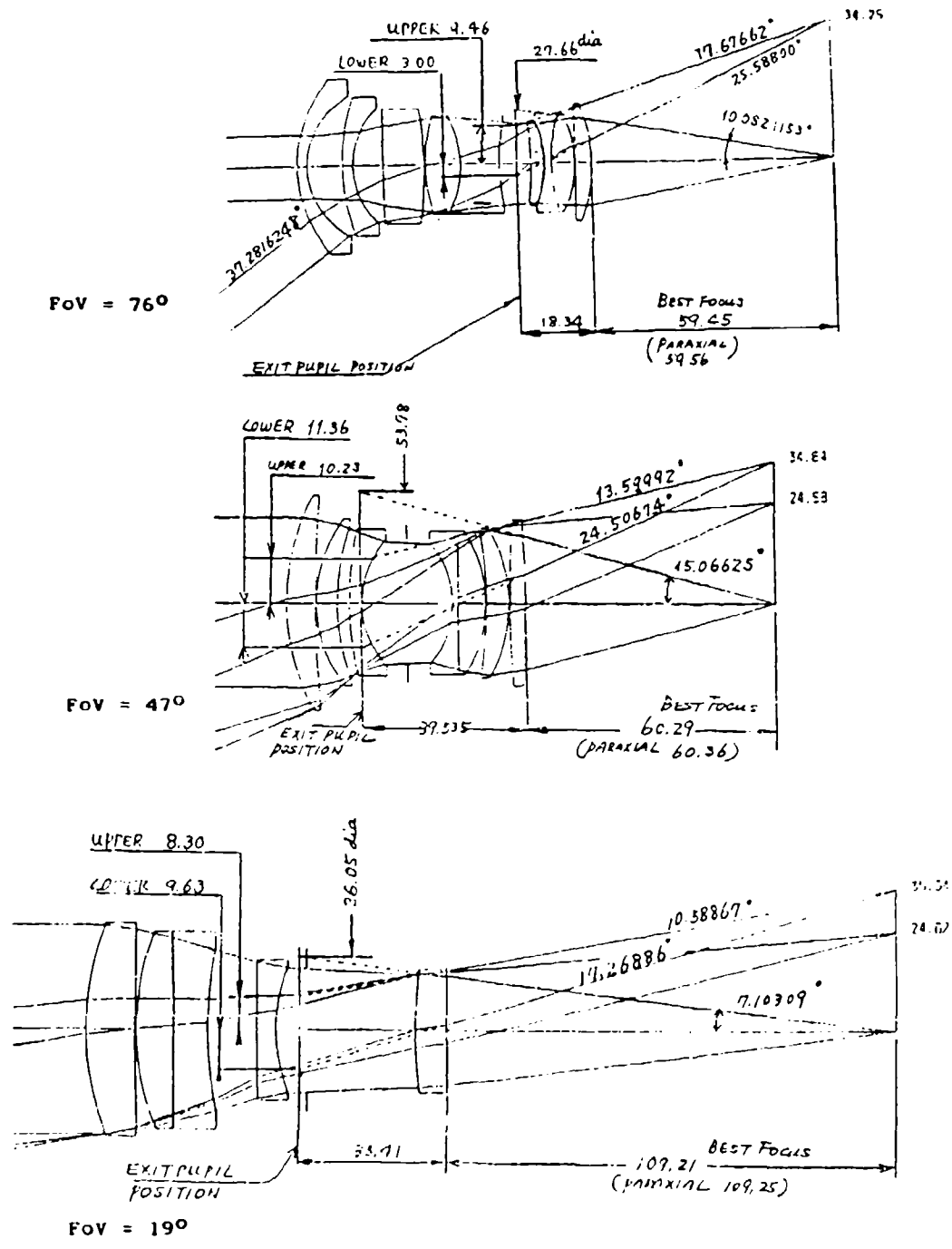


Figure 1.3: Shows typical ray diagrams for some other lenses with smaller fields of view. Telecentric elements may be chosen for each of these lenses (but focal lengths and spacings differ for each primary lens).

**Deviation of Exit Cone from Perfect Telecentricity
(Fisheye Lens)**

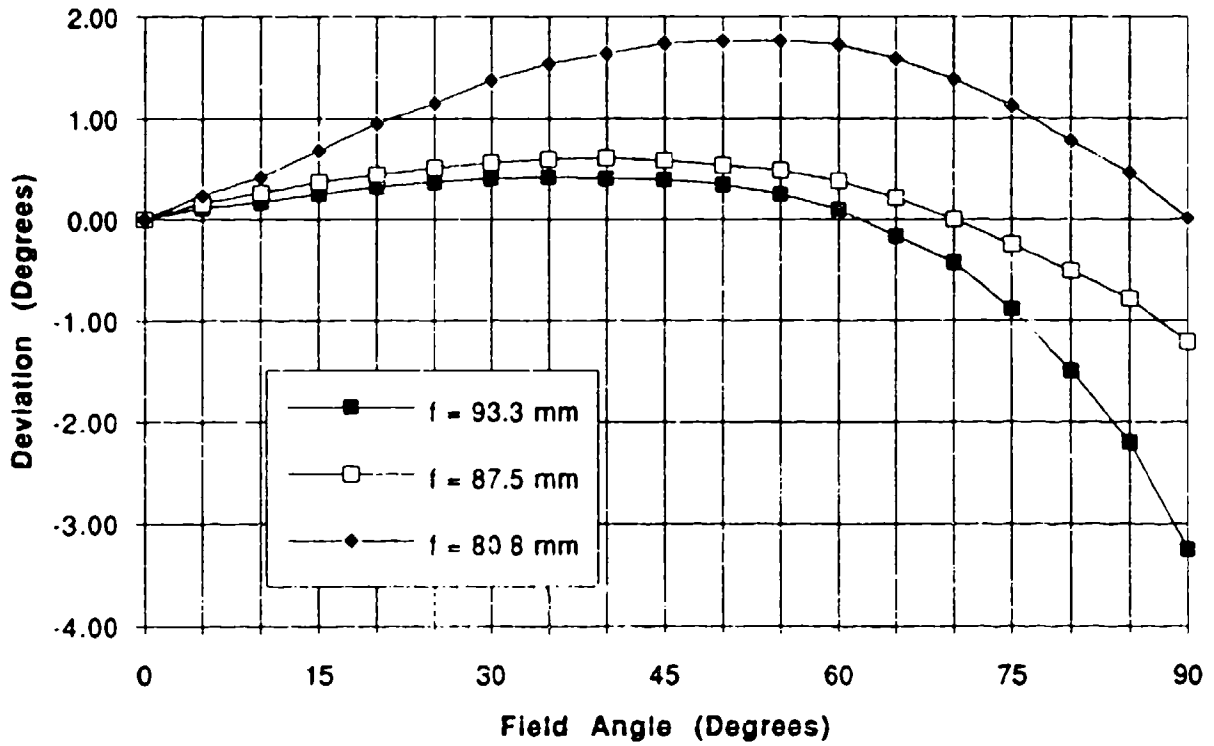


Figure 1.4: Shows deviation from perfect telecentricity for various focal lengths of the combined plano-convex telecentric elements. Appropriate choice of focal lengths (~ 87.5 mm) and spacings limits deviation to $\leq \pm 1$ degree.

1.7 Re-imaging Optics:

The re-imaging optics to the image intensifier is shown schematically in **Figure 1.5**.

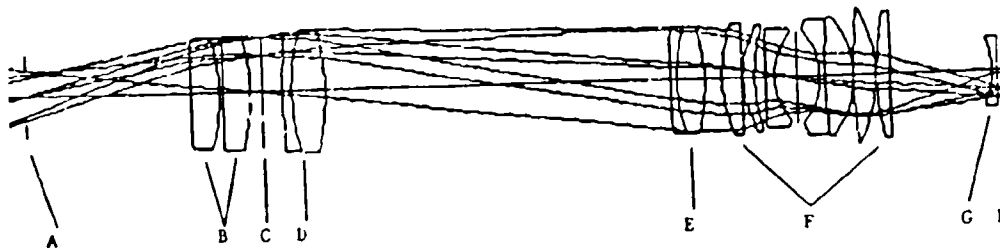


Figure 1.5: Re-imaging optics schematic

The rays making up individual image-forming cones would continue to diverge after the primary focal plane (C in **Figure 1.5**), and portions of each ray cone would be lost from the following optics. Consequently a field lens (D in **Figure 1.5**) is inserted just after the filter position. To minimize aberrations, an achromatic doublet is used in the orientation shown. The focal length of this lens depends on the final image size desired. The camera lens (F in **Figure 1.5**) is placed near the common pupil of all the ray cones from the image. To minimize aberrations (especially field curvature), it is desirable to use the camera lens at near its infinity focus. Consequently a close-up lens (E in **Figure 1.5**) is placed in front of the camera lens, with its focal length chosen to be the same or slightly longer than that of the field lens. Again, to minimize aberrations, an achromatic doublet is used with the orientation shown. The field lens and close-up lens configuration is shown in **Figure 1.6**

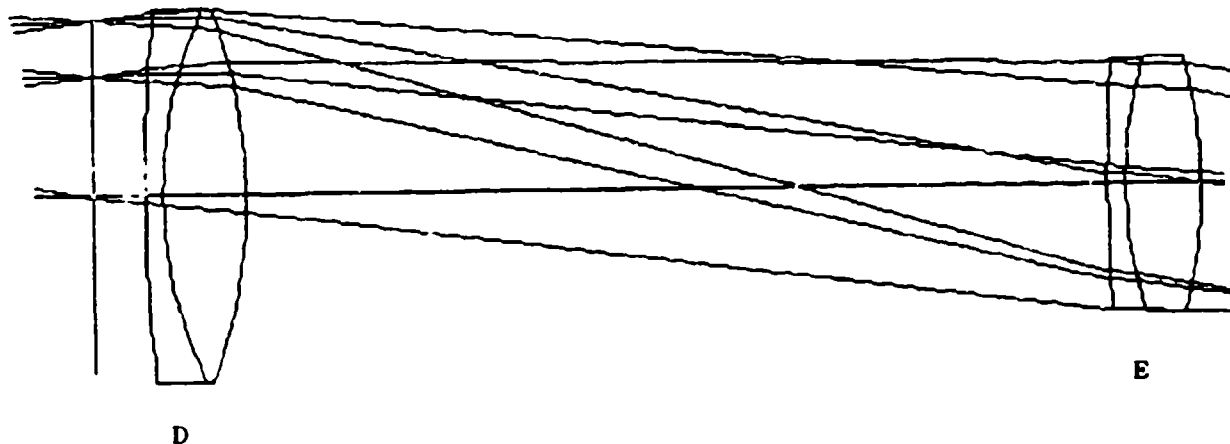


Figure 1.6: Field lens and close-up lens

The focal length (f) of the camera lens (F in **Figure 1.5**) and its separation (L) from the primary image plane is determined by the required final image size (d) on the detector. If D is the primary image diameter, then:

$$d/D = f/L$$

D is fixed by the choice of primary lens format (nominally 92 mm for the Pentax 6x7 medium-format lenses) (but this diameter is reduced slightly because of the telecentric elements, see

Figure 1.2). Specification of d defines f/L . f can then be chosen according to various other requirements, such as:

- (i) Values of f available in commercial camera lenses.
- (ii) To minimize optics size, choose a small f .
- (iii) To minimize field curvature, choose a larger f .
- (iv) To maximize sensitivity, choose f so lowest F number lens can be used.
- (v) f must also be chosen so that the whole final image diameter can be covered at the chosen F number.
- (vi) f should not be so small that L is too small for the procurement of a practical close-up achromat with the required diameter.

Note: Typical example:

1. $d = 24$ mm (to fit an 25 mm image intensifier).

Then using a Pentax primary lens,

$$d/D = 24/89 \sim 0.27 \text{ (telecentric plano-convex lenses reduce the normal 92 mm image diameter to 89 mm)}$$

If $f = 50$ mm, then $L \sim 185$ mm, and

if $f = 85$ mm, then $L \sim 315$ mm

If F is the F number of the primary lens, and all of the light is re-imaged to a final image size d , then the required F number of the camera lens (so as to collect all available light) is

$$F_{\text{Cam}} \leq F \times d/D$$

In the above case with $F = 4.5$ and $d/D = 0.27$, a F1.2 camera lens would be required. In general if space allows, it is best to choose the longer focal length camera lens so as to minimize image curvature (see following).

1.8 Field Curvature:

There will always be some residual field curvature. This is reduced if longer focal length camera lenses are chosen, but this is not always possible or desirable. The curvature can be significantly reduced if a field curvature correction lens (a plano-concave element, G in **Figure 1.5**) is placed just in front (1-2 mm) of the final image plane. For maximum resolution, this field curvature corrector is desirable if allowed by physical restraints at the detector. The focal length of the field curvature correcting lens for minimum field curvature was determined by trial and error, and for the HAARP optics is $f = -100$ mm. A comparison of ray diagrams with and without the field curvature correction lens is shown in **Figure 1.7**

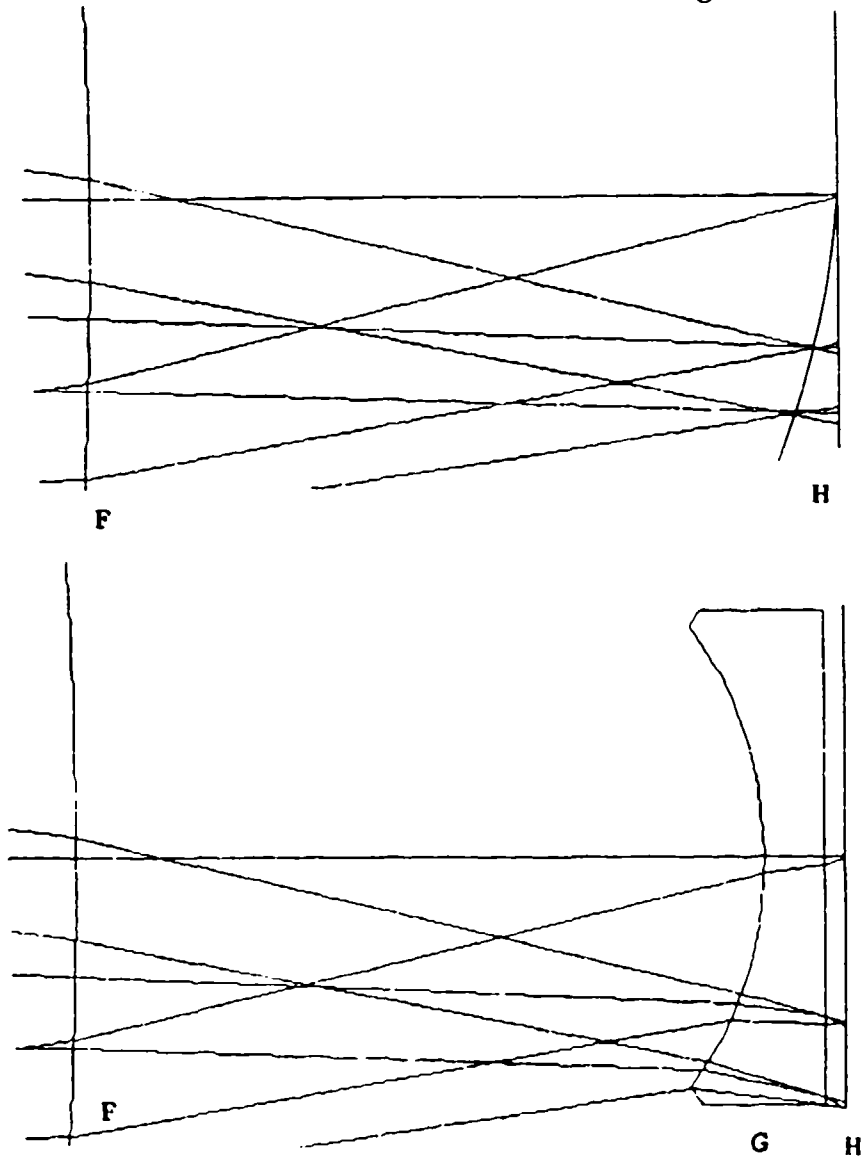


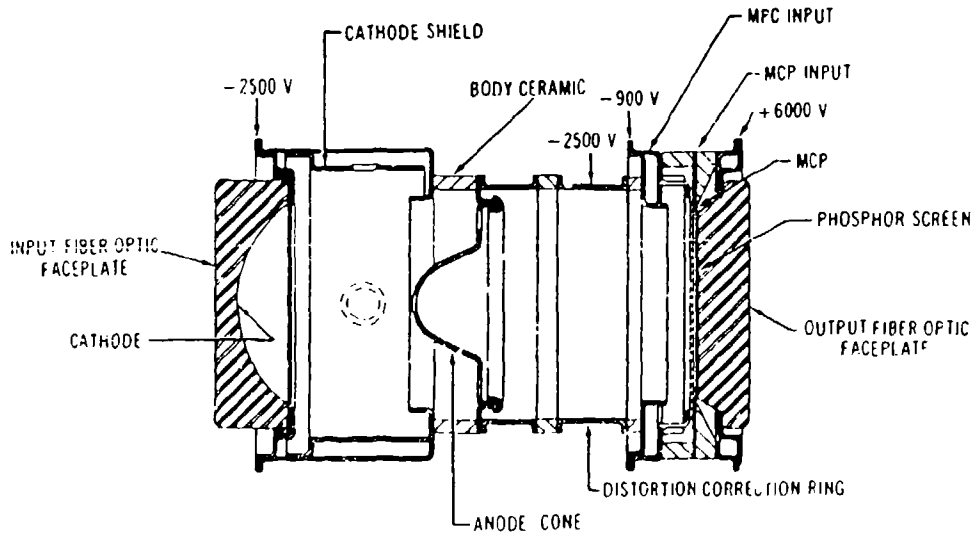
Figure 1.7: Field curvature correction

1.9 Image Intensifier:

The image intensifier used is a 25 mm Gen II Inverter tube (Figure 1.8) This type of intensifier is superior to proximity-focused tubes for gain and resolution, and is also considerably less expensive. If near infra-red images were desirable, then a hybrid tube consisting of an Gen III (GaAs) proximity tube coupled to a single-stage inverter tube is also available and interchangeable with the present tube.

The cathode is a thinned tri-alkali (for improved blue quantum efficiency) and the output phosphor is a P20 (for good time response, with a decay time to the 10% level of ~ 1-2 msec).

The intensifier is housed in a custom-designed thermoelectric cooler, that cools just the cathode (to reduce dark noise) but leaves the phosphor at ambient (so as not to increase phosphor decay time). Cooling is to about 20°C below ambient, which gives a 10:1 reduction in thermal dark current.



The electrostatic image-inverting generation 2 image tube

Figure 1.8: Schematic of a Gen II Inverter tube

1.10 Relay Optics:

The output image from the image intensifier has to be coupled to the CCD, with a reduction in size from 24 mm to 10 mm (CCD size is 10.2 x 10.2 mm). This coupling could have been achieved with either a fiber optics taper or with relay lenses, and there are advantages and disadvantages to each approach.

The relative efficiencies of fiber optics and relay lens depends on the image magnification ($m, \leq 1$) required:

- (a) For a fiber optics taper with magnification m , the coupling efficiency is given by

$$T \times m^2 \quad \text{where } T \text{ is the fiber optics transmission}$$

- (b) For a non-vignetting relay lens, the coupling efficiency is given by:

$$T / [m^2 + 4xF^2 \times (1+m)^2] \quad \text{where } T \text{ is the lens transmission}$$

and F is the F number of the relay lens (system) onto the detector. Usually $m^2 \ll [4xF^2 \times (1+m)^2]$ and may be neglected, giving $T / [4xF^2 \times (1+m)^2]$
In both cases, $T \sim 0.8$, and the following Table compares coupling efficiencies:

Coupling Efficiency of Fiber Optics Tapers and Relay Lenses

m	Fiber Optics	Relay Lens		
		F = 0.7	F = 1.0	F = 1.4
1	0.800	0.090	0.047	0.025
0.5	0.200	0.172	0.086	0.045
0.33	0.087	0.224	0.111	0.057
0.25	0.050	0.256	0.127	0.065

It may be seen that although fiber optics is much more efficient for 1:1 coupling, its advantage quickly decreases as magnification decreases (as is common when coupling from image intensifiers to CCDs), and for $m \leq 0.33$, relay lenses may be as efficient or even more efficient.

There are many other factors that enter into the choice between fiber optics and relay lenses:

(i) If the detector is to be cooled, it may not be desirable to use fiber optics coupling, as the added thermal load will make CCD cooling difficult. The best solution in this case may be to cool the complete CCD camera/fiber optics/intensifier combination.

(ii) If commercial CCD cameras are to be used, it may not be possible to use fiber optics coupling, as most do not come with the option of a fiber optics faceplate on the CCD. Specialty scientific cameras with fiber-optics faceplate CCDs are much more expensive than commercially available cameras.

(iii) Fiber optics may be necessary if there are physical size and/or weight restrictions, as relay lenses are considerably larger and heavier. Similarly, fiber optics will be advantageous if there are shock or vibration conditions.

(iv) Fiber optics will generally reduce resolution more than relay lens systems.

The following considers aspects of relay lens coupling:

For high efficiency and high resolution image transfer, simple lenses or even achromats are unsuitable, as they will suffer from large field curvature (as well as other aberrations). A compound lens (such as camera or enlarging lens) that is designed for close conjugate applications can be used, but generally the effective F number will be high so the coupling will be inefficient.

Typically two lenses are used:

- (i) a collimator lens to collect light from the image intensifier output screen;
- (ii) a camera lens to image the light onto the CCD detector.

This arrangement allows both lenses to be used at their infinity conjugate, and so maximizes coupling efficiency and minimizes aberrations.

Normal camera lenses (e.g. Nikon, Canon) cannot be used in tandem configuration as serious vignetting results. A specially designed collimator lens (that "overfills" the camera lens) is required, such as those available from Rodenstock. Normal camera lenses can then be used as the final imaging lens, though Rodenstock also supplies high-speed camera lenses especially designed for use in tandem configuration with their collimator lenses. (See **Figure 1.9**).

The ratio of focal lengths of the camera and collimator lenses determines the image magnification, as follows:

$$\begin{aligned} m &= \frac{\text{Focal length of camera lens}}{\text{Focal length of collimator lens}} \\ &\sim 0.4 \text{ for the HAARP configuration.} \end{aligned}$$

The fastest available relay lens pair is a Rodenstock 100mm/F1.5 coupled to a Rodenstock 42 mm/F0.75.

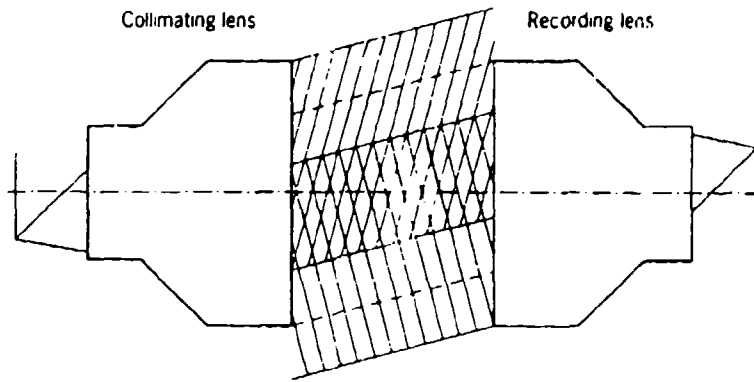
If F_{cam} is the F number of the camera lens, and F_{coll} is the F number of the collimator lens, then for the relay lens system to have no vignetting, the requirement is that

$$F_{\text{cam}}/F_{\text{coll}} \leq m$$

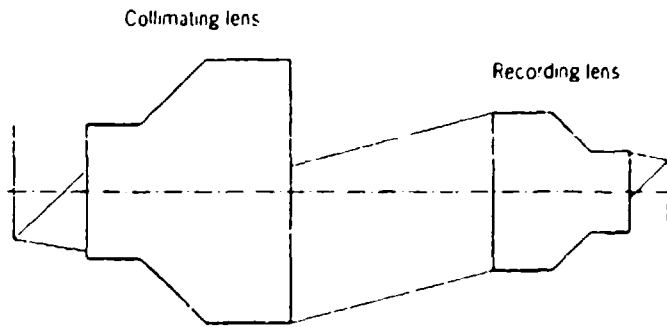
For the HAARP configuration, $m = 0.42$ and $F_{\text{coll}} = F1.5$, so we require $F_{\text{cam}} \leq 0.63$. The camera lens used (42 mm/F0.75) almost meets this requirement, accepting a F1.8 cone from the collimator lens (thus using 70% of the light collected by the collimator lens). Fast camera lenses like this have very short back focal distances (~ few mm), so it was necessary to specially design the lens mount configuration for the Photometrics CCD camera.

1.11 Anti-Fogging:

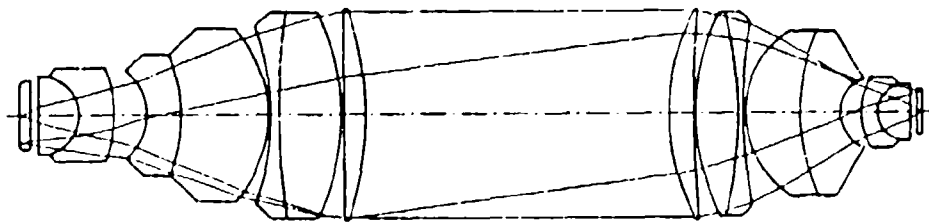
There is always the possibility with cooled detectors that some surfaces may fog or ice up in humid environments. Consequently the capability of dry N₂ flushing has been built into the HAARP instrument. Both sides of the cover glasses in front of the image intensifier, and the front of the CCD cover glass (the back side is in an evacuated environment) can be flushed. Experiments have shown that flushing for ~ 1 minute will rapidly remove any condensation.



Vignetting in a tandem system



Non-vignetting tandem system with oversized collimating lens - see also page 3.40



Section of tandem system

Figure 1.9: Relay lens considerations

1.12 Shutters:

There are two shutters in the instrument, one in front of the intensifier lens, and the other between the two relay lenses. This allows independent determination of intensifier and CCD noise characteristics. In addition, there is a light sensor built into the input side of the relay lens shutter. This allows pre-monitoring of the output of the image intensifier; this information can be used to adjust exposure time or high voltage setting of the intensifier, so as to keep the image well placed within the dynamic range of the CCD detector, and to determine if the image intensifier is near its AGC (automatic gain control) mode.

1.13 High Light Protection Light Sensor:

A sensor is built into the front of the filter wheel to measure the ambient light level. If this higher than a preset limit, the image intensifier will not be allowed to turn on.

Chapter 2 Instrument Performance and Calibration

2.1 Advanced Technologies CCD Head

2.1.1 Advanced Technologies Delivered Specifications

Figure 2.2 contains the original performance specifications as set by Advanced Technologies 6/24/92. There were six images supplied with the camera that are useful for reference (Figure 2.3):

Low-level resolution image	Hi-level resolution image	Dark Noise image
Lo-Gain Bias	Mid-Gain Bias	Hi-Gain Bias

It was noticed that the Bias settings were unnecessarily high and were limiting the dynamic range of the instrument ($100/4096 = 2.5\%$). In the dark-noise integration, one can notice the intrinsic pattern of dark-noise buildup for these CCDs.

Upon taking images with the HAARP Imager and comparing them to the MIP and ASIPII imagers, it was noticed that the HAARP CCD images were flipped and rotated 90 degrees CW as Figure 2.1 shows:

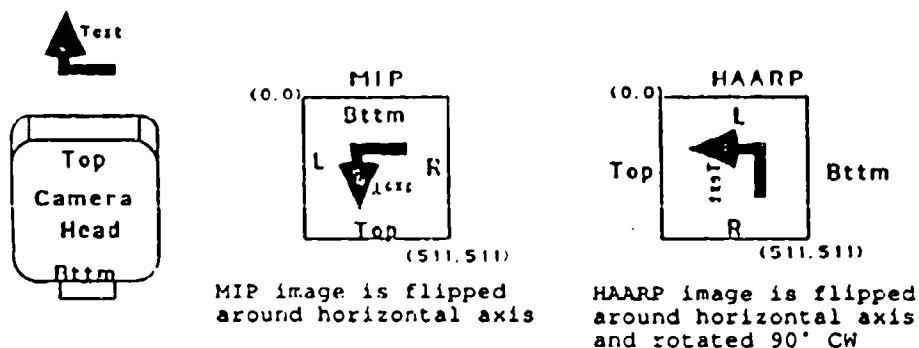


Figure 2.1: CCD Orientations 9/23/92

2.1.2 Advanced Technologies RMA 11/17/92:

The HAARP CCD Head/Electronics was returned to Advanced Technologies to fix the above problems. The CCD was rotated 90 degrees inside the vacuum chamber and the biases were lowered to increase the dynamic range of the ADC. Figure 2.4 contains the calibration images from this RMA.

CAMERA PERFORMANCE TESTS

Open-Loop Temperature: ____ °C Regulated Temperature: ____ °C

Dark Current MPP NON-MPP Mode : ____ e- / ____ at ____ °C at ____ gain factor

Bias Mean Level: 120 ADU at x4 gain factor

Well Capacity at A/D Converter Limit: 200 ke- at x3 gain factor

Reduced Full Well Capacity in MPP Mode: ≈200 ke- at x2 gain factor

GAIN/NOISE MEASUREMENTS	
____ HZ System	
A/D Conversion Factor	
Measured at 1X Gain: <u>85</u> e-/ADU	Noise: <u>52</u> e-
<input checked="" type="checkbox"/> Verified at 2X Gain <u>49.5</u>	Noise: <u>40</u> e-
<input checked="" type="checkbox"/> Verified at 4X Gain <u>24.4</u>	Noise: <u>26</u> e-

FINAL VACUUM TESTS

- Final Pump and Bake Cycle Performed (1/6 Hours)
- Final Water Vapor Test Performed
- Final Helium Leak Test Performed
- Vacuum Valve Packed With Grease
- Final Vacuum Leak Check Performed

FINAL VOLTAGE SETTINGS

Vod____ +Vsh____ -Vsh____
Vrd____ +Vvp____ -Vvp____
Vog____ +OR____ -OR____

Comments _____

Testing performed by JW Date 6-24-92
Approved by _____ Date _____

Figure 2.2a -- Advanced Technologies CCD Specifications 6/24/92
Performance Tests

ATC-5 TEST REPORT

CUSTOMER KEO
ATD JOB NUMBER AT220
CAMERA HEAD SERIAL NUMBER 2
ELECTRONICS UNIT SERIAL NUMBER _____
COOLING UNIT SERIAL NUMBER NA

FINAL ASSEMBLY AND TEST BY JWO
DATE 6-24-92

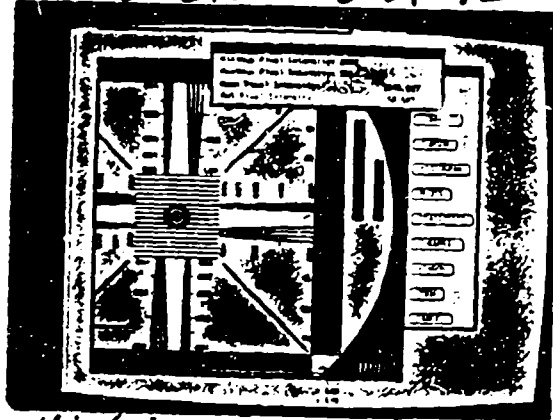
CCD TYPE PMS16A
CCD SERIAL NUMBER _____

CCD PARAMETERS

VOD1	<u>21.7</u>
VOD2	<u>26.0</u>
VRD	<u>12.5</u>
VOG	<u>-</u>
VSL	<u>-4.88</u>
VSH	<u>+5.13</u>
VPL	<u>-7.53</u>
VPH	<u>+3.05</u>
VSWL	<u>-4.97</u>
VSWH	<u>+5.36</u>
VTGL	<u>-7.55</u>
VTGH	<u>+3.71</u>
VRH	<u>7.60</u>
VRL	<u>-0.02</u>
VIG	<u>NA</u>
VID	<u>NA</u>
VSUB	<u>-</u>
R_{LOAD}	<u>3.01K</u>

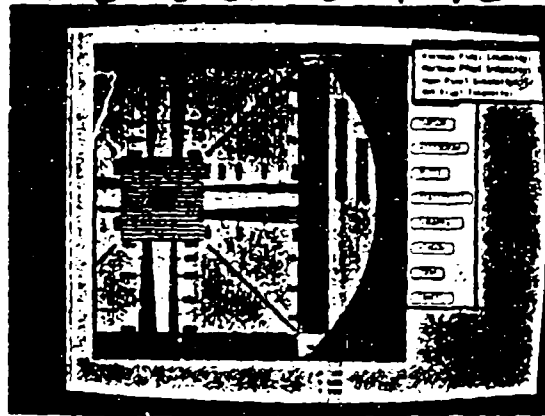
Figure 2.2b -- Advanced Technologies CCD Specifications 6/24/92
Voltage Settings

ATC-2 CAL: 6-24-92



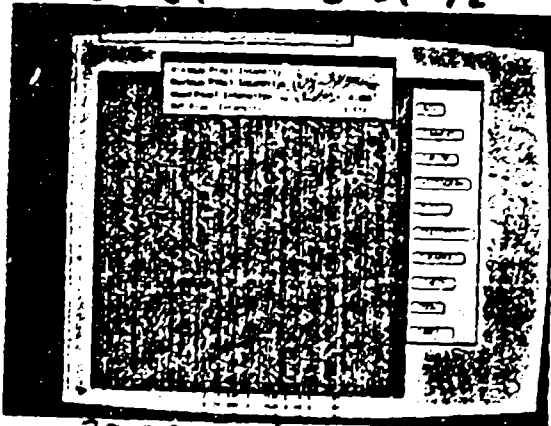
Hi LEVEL $\approx 200K_e$

ATC-2 CAL: 6-24-92



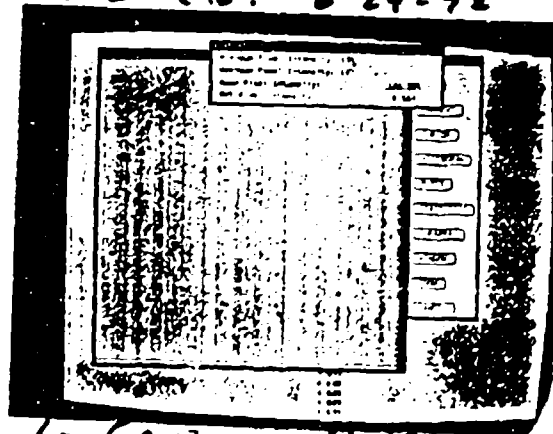
Low LEVEL $\approx 200_e$

ATC-2 CAL: 6-24-92



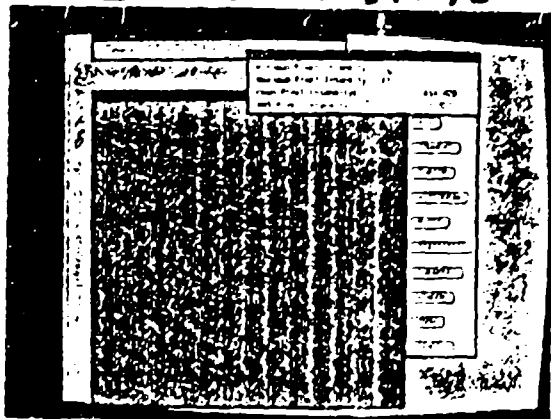
30 SEC DARK

ATC-2 CAL: 6-24-92



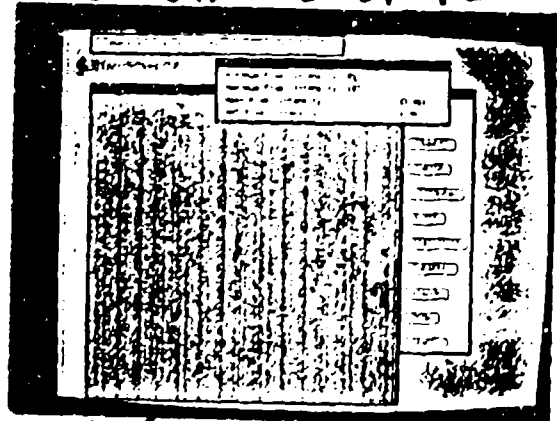
Lo GAIN BIAS

ATC-2 CAL: 6-24-92



Hi GAIN BIAS

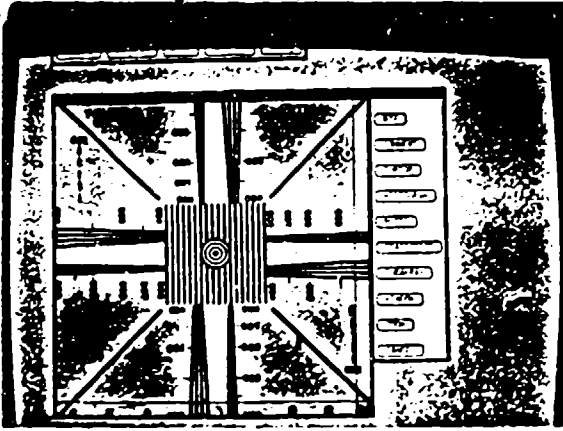
ATC-2 CAL: 6-24-92



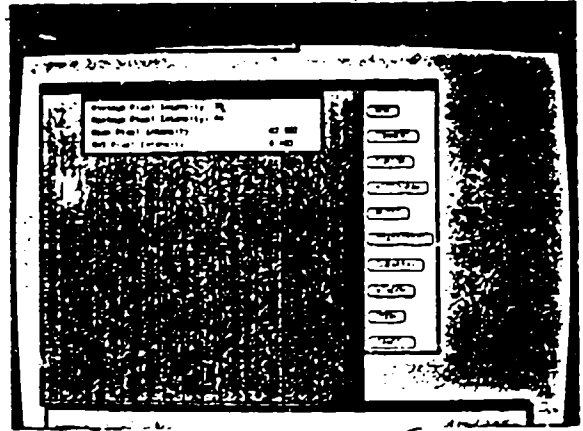
MID GAIN BIAS

Figure 2.3 -- Advanced Technologies Performance Images 6/24/92

ATC-2 RMA: 11-17-92

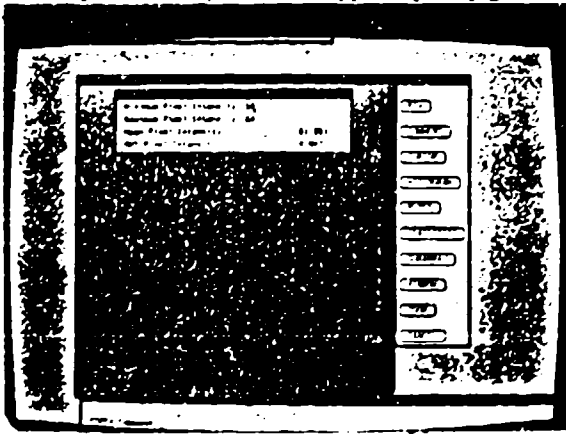


ATC-2 RMA: 11-17-92



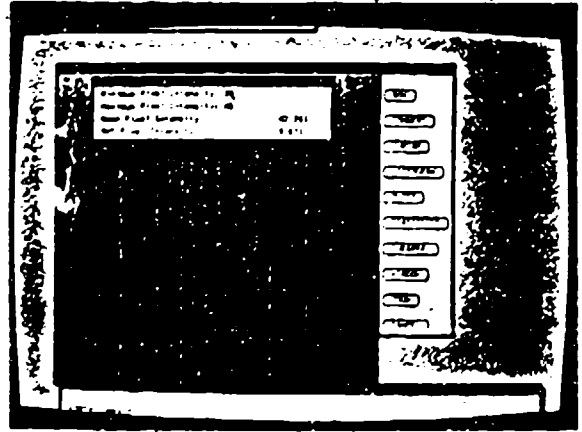
LO GAIN BIAS

ATC-2 RMA: 11-17-92



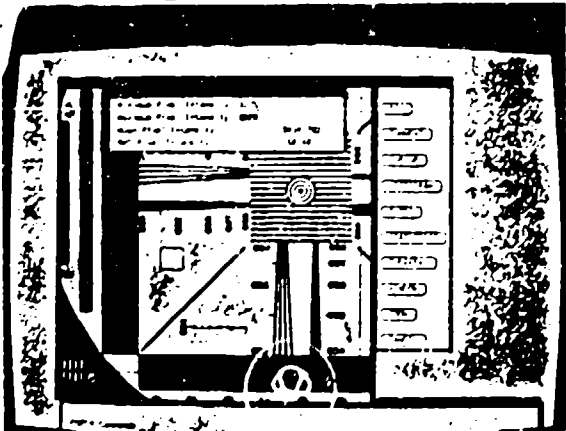
HL GAIN BIAS

ATC-2 RMA: 11-17-92



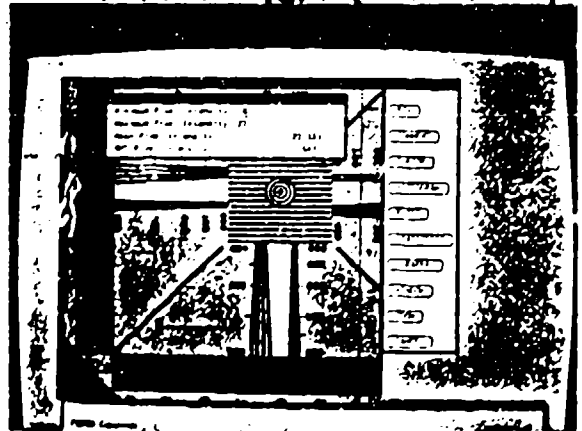
MID GAIN BIAS

ATC-2 RMA: 11-17-92



MID GAIN

ATC-2 RMA: 11-17-92



HI GAIN LO LEVEL

Figure 2-4 -- Advanced Technologies RMA Images 11/17/92

2.1.3 CCD Flatfield

A flat-field image was acquired on the PM516A to check for non-uniformity in the CCD's performance. The following setup was used:

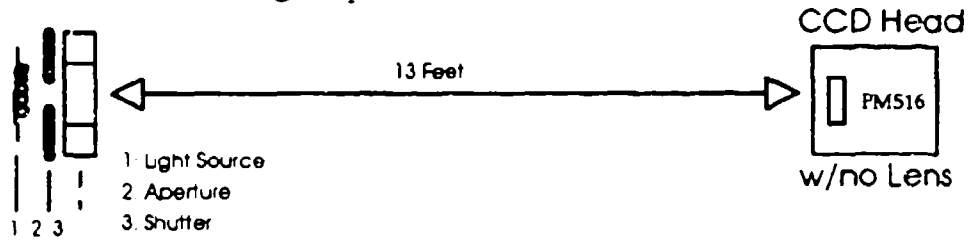
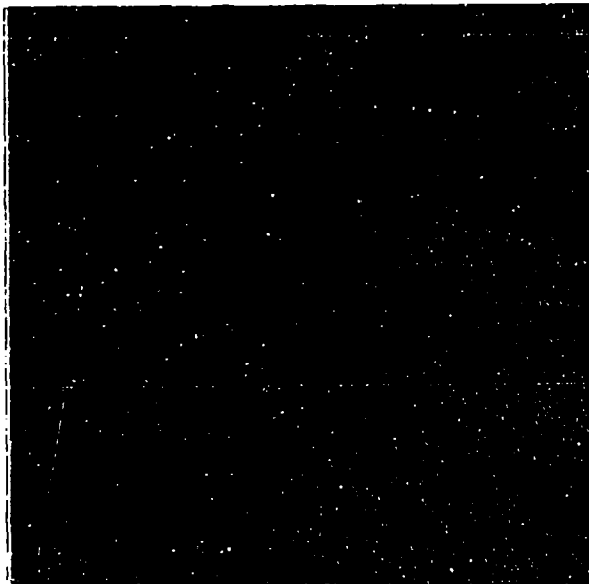
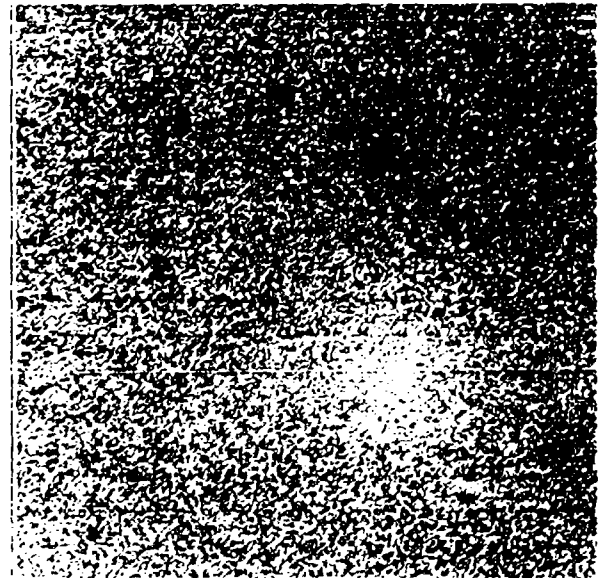


Figure 2.5 shows a 1-second exposure taken with this setup. The first image is the flat-field looking at the full dynamic range of the CCD. The second image expands the detail to look at the CCD variations in more detail.



[Full Dynamic Range: Black = 0, White = 4095]



[Stretch: Black = 1600, White = 1650]

Figure 2.5 -- CCD Flat-Field Images

There are dust shadows on this image that result from very small particles of dust on the vacuum window. These shadows do not appear on the resultant image with a lens as the window is not in an image plane. Figure 2.6 shows a plot through the image of column 261:

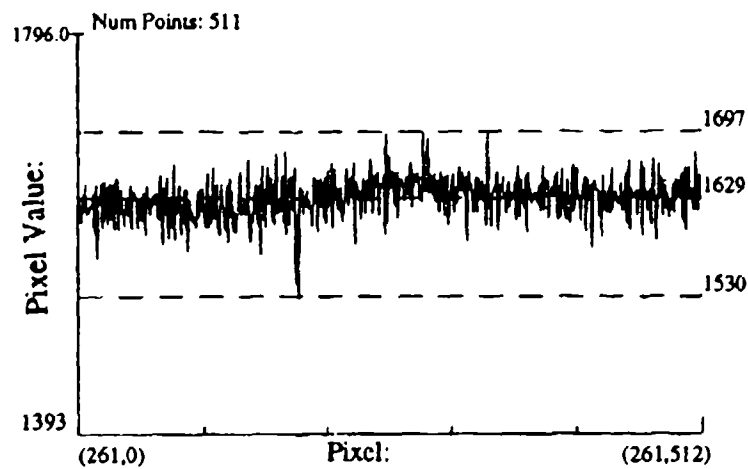


Figure 2.6 -- Column Plot from Flat-Field Image

From the plot in Figure 2.6 and the expanded flat-field image, we can see that there are certain patterns that are intrinsic to the CCD that appear when looking at the flat field in great detail. Notice the periodic horizontal line pattern that can be seen.

2.1.4 CCD Resolution:

A resolution chart was projected onto the CCD using the 42mm Rodenstock relay lens (and the back shutter of the instrument for exposure control. The iris of the back shutter was closed to about 1/4 aperture. Since the Rodenstock has a maximum image size of 11mm which is smaller than the 14.4mm diagonal of the CCD, and in this case the lens is completely filled, you can notice the blurring of the lens at it's edges in the resolution image in Figure 2.7. This does not affect our images as the intensifier image does not completely fill the 42mm lens image circle.

The theoretical limit of the CCD resolution is determined by the number of pixels in the image. The PM516A uses 512 pixels across it's image area, each with a dimension of $20 \times 20 \mu\text{m}$ giving a 10.2mm CCD size. Thus, the maximum resolution for a line-pair (black/white) for this CCD is 256 line-pairs or 25 lp/mm.

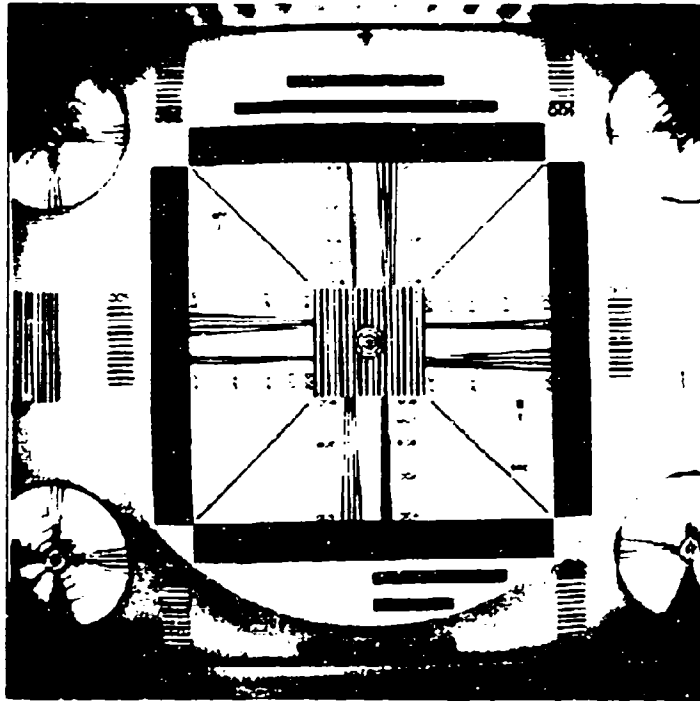


Figure 2.7 -- CCD Resolution Image

2.1.5 CCD Bias Settings

The Bias voltage is a 'zero-offset' voltage that is applied to the summation-amplifier on the CCD before it is converted at the Analog to Digital Converter (ADC) and assures that we are operating above the threshold of the electronics. The bias is somewhat arbitrarily set by Advanced Technologies along with the other clocking voltages (documented in Sections 2.1.1 and 2.1.2) and should not be changed in the field.

Initial Bias Settings (6/24/92) were: LO: 105 MID: 103 HIGH: 114

These were lowered as discussed in Section 2.1.2 to improve the dynamic range of the instrument:

RMA Bias Settings (11/7/92): LO: 42 MID: 42 HIGH: 61

Biases were closely watched during the calibration of the instrument as there seems to be some fluctuation in their values. Bias images were archived during the Mean-Variance calibration (Section 2.1.7) and were found to be:

MV Bias Readings (7/13/93): LO: 13 MID: 11 HIGH: 23



Figure 2.8 -- Mid Bias image from 7/13/93 (Tccd = -29.5C)
(stretched: black = 10, white = 15)

Figure 2.8 shows an expanded image of the bias at Mid Gain. As in the flat-field image, we again see horizontal patterns that are intrinsic to the CCD readout.

A column plot from a HI CCD gain Bias image in Figure 2.9 also shows the horizontal patterns intrinsic to the CCD.

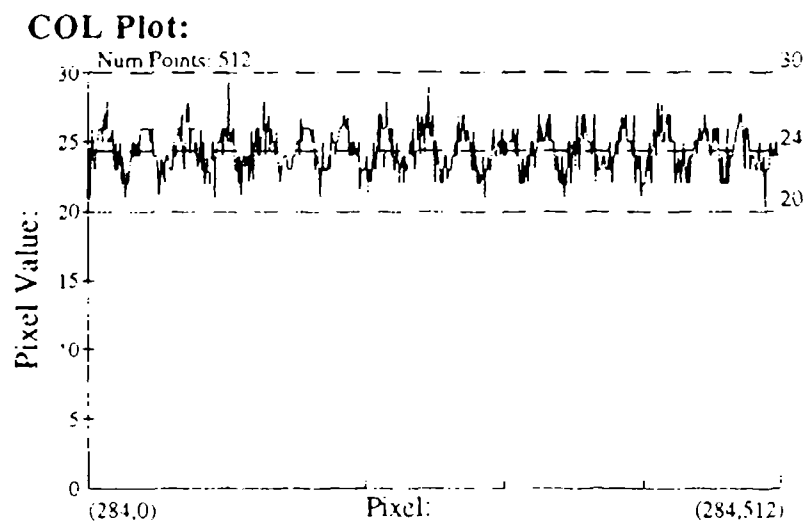


Figure 2.9 -- Column plot from HI Bias image (8/27/93)

Bias Readings (8/27/93): LO: 15.74 MID: 13.2 HI: 24.48

On 9/1/93, we looked at the BIAS levels verses time. The following results were found:

Powered Down/Up the Camera and take BIAS readings repetitively

CCD Temp	LO Bias	MID Bias	HI Bias
-28.5C	1.1 +/- .8	0.19 +/- .5	8.23 +/- 1.6
-29.5C	2.78 +/- .8	1.03 +/- 1.0	9.77 +/- 1.6
-29.5C	3.61 +/- .9	1.73 +/- 1.1	10.8 +/- 1.6
-29.5C	5.45 +/- .8	3.26 +/- 1.2	12.6 +/- 1.6

Powered Down/Up and found MID Bias: 5.42 +/- 1.2

Let Camera sit for 20 minutes and take BIAS readings repetitively

CCD Temp	LO Bias	MID Bias	HI Bias
-26.5C	10.4 +/- .8	8.2 +/- 1.2	18.5 +/- 1.6
-26.5C	10.6 +/- .8	8.4 +/- 1.2	18.7 +/- 1.6
-26.0C	10.9 +/- .8	8.4 +/- 1.2	19.0 +/- 1.6

These results show quite a bit of drifting in the BIAS levels until they seem to settle down to a final value with time. This is probably due to the temperature inside the CCD Electronics head where these voltages are set. The fact that the BIAS level is slightly different for each session points to three things:

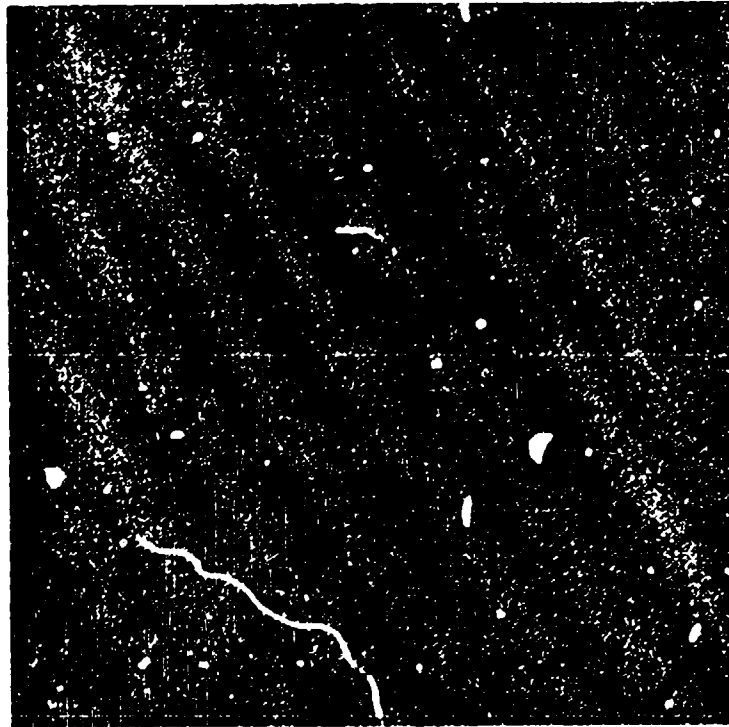
(i) BIAS levels should be watched closely and recorded intermittently during data acquisition sessions.

(ii) If possible, the instrument should be given time to stabilize (~20 minutes) before data acquisition starts.

(iii) The overall trend of BIAS levels migrating down from ~40 (11/92) to ~13 (8/93) is cause for some concern and should be watched closely. If the BIAS levels keep decreasing from these levels (approaching 0), the camera should be returned to Advanced Technologies for a new calibration.

2.1.6 CCD Dark Noise

The PM516A CCD is powered in Multi Pin Phased (MPP) mode which decreases the dark count by about a factor of 30. This is achieved by using a boron implant in the CCD wells. **Figure 2.10** shows a dark integration image with a CCD temperature of -25°C which is a normal operating temperature of the HAARP imager. Notice the characteristic pattern of dark noise integration intrinsic to the CCD chip.



CCD Temp: -25.0C Exposure: 4 minutes HI Gain [25e-/ADU] 1x1 Binning
Scale: Black 80 ADU White 225 ADU

Figure 2.10 -- Dark Noise Integration

Temperature Dependence

Dark Noise for the HAARP camera head was measured verses temperature. Cooling the CCD reduces the dark count by about a factor of 10 for every 20C temperature reduction. The following data for CCD dark noise acquisition was taken with the CCD gain set at HI and using 1x1 binning:

Temp (C)	Exposure (sec)	Mean (ADU)	RMS (ADU)	Mean - Bias	Normalized Mean	Electrons /sec
31	20	1953	269	1930	23160	2412.50
-4	120	473	69	450	900	93.75
-12	120	257	37	234	468	48.75
-19	240	250	36	227	227	23.65
-25	240	147	21	124	124	12.92

This curve is shown in Figure 2.10. Examining the above results confirms the rule of thumb for cooling viz: a factor of 2 decrease for every 6°C, or a factor of 10 decrease for every 20°C.

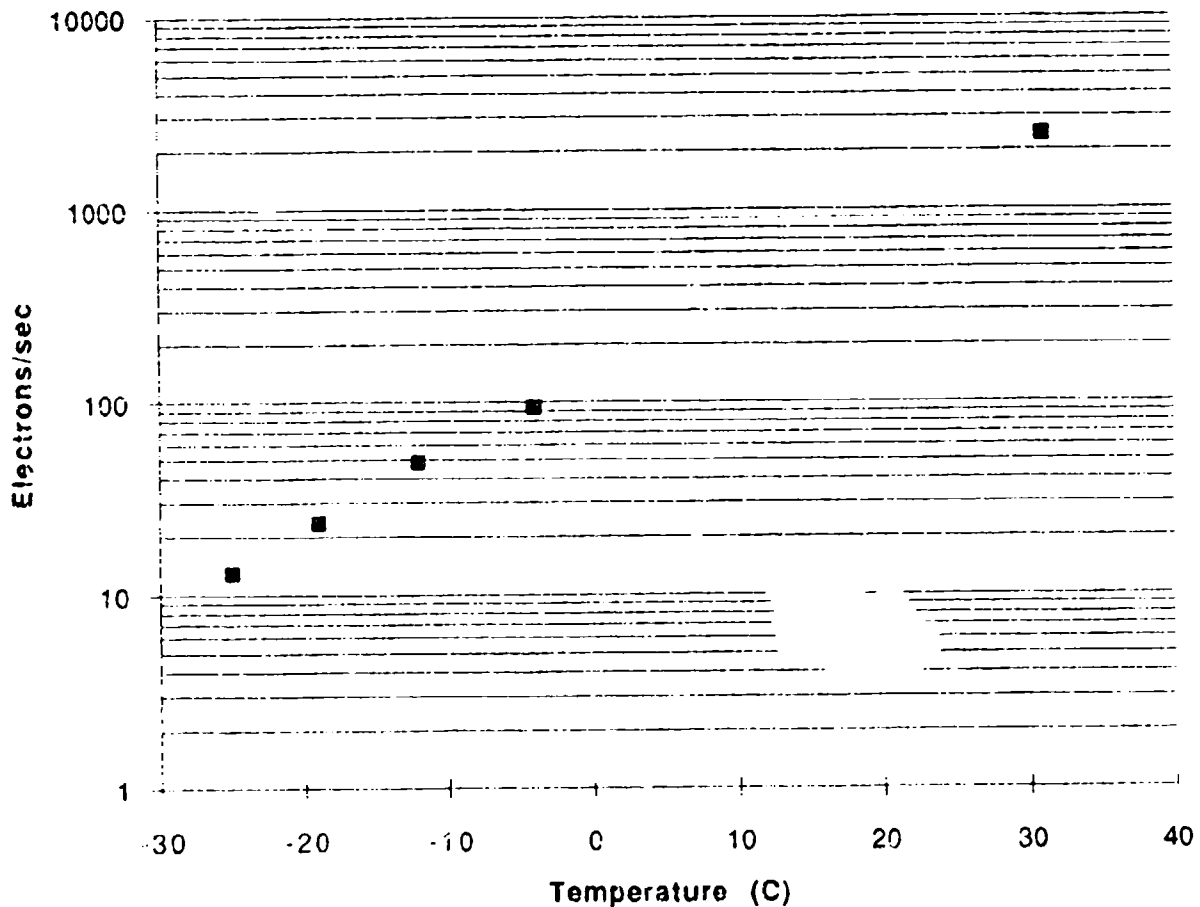


Figure 2.11 -- CCD Dark Count .vs. Temperature

2.1.7 HAARP Mean-Variance Calibration

The electron charge in the CCD wells creates a voltage that is amplified by the CCD electronics and converted into digital units using a 12 bit Analog to Digital Converter (ADC) at a pixel rate of 1.1MHz. The Mean-Variance calibration is a method used to determine the actual Analog to Digital Converter gain and noise characteristics. This indicates how many electrons in the CCD well correspond to an Analog to Digital Unit or ADU. The basic principle of this calibration is as follows:

$$\begin{aligned} \text{Linear ADC conversion: } & \text{ADU} = \text{Gain} \times N_e \quad \text{where } N_e = \text{number of electrons} \\ \text{RMS noise of conversion: } & \sigma = \text{Gain} \times \sqrt{N_e} \end{aligned}$$

Variance is defined as RMS^2 . Therefore, the ratio:

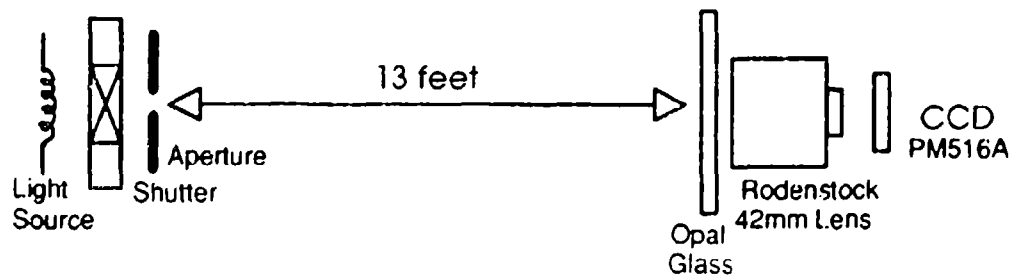
$$\frac{\text{Variance}}{\text{Mean}} = \frac{(\text{Gain})^2 \times N_e}{\text{Gain} \times N_e}$$

The ratio of Variance / Mean gives the gain in units of ADU/electrons. The ratio of Mean / Variance therefore gives us:

electrons/ADU

Advanced Technologies Calibration Method:

Four images are collected with the CCD camera: two independent Bias images and two independent Flat-field images. To do this, the KEO lab was set up as:



The following definitions were made:

Images taken: **Bias1, Bias2, Img1, Img2**

MEAN: Mean of (**Img1 - Bias1**)
2IMG_RMS: Rms of (**Img2 - Img1**) [Photon Shot-Noise of images]
VARIANCE: $2\text{IMG_RMS}^2 / 2$ [Variance of one image]
GAIN: **MEAN / VARIANCE** [units: electrons/ADU]
2BIAS_RMS: Rms of (**Bias2 - Bias1**)
READ NOISE: ($2\text{BIAS_RMS} / \text{sqrt}(2)$) X **GAIN**

Results of 7/12/93 Calibration for HAARP CCD Head:

CCD Head: ATC-2 AT220 SN:2 Temperature: -31.0°C

Low Gain:

Mean: 1432.90 ImgRMS: 5.6 Variance: 15.68 BiasRMS: .969

MidGain:

Mean: 2627.06 ImgRMS: 10.32 Variance: 53.25 BiasRMS: 1.108

HiGain:

Mean: 2140.97 ImgRMS: 13.06 Variance: 85.28 BiasRMS: 1.327

<u>CCD Gain</u>	<u>Gain (e-/ADU)</u>	<u>Read Noise (e-)</u>
Low	91.38	62.61
Mid	49.33	38.65
Hi	25.10	23.55

Bias Statistics T = -26°C

<u>Gain</u>	<u>Calibration Image</u>	<u>Mean</u>	<u>RMS</u>
Low	BiasLow.Img	13.22	0.616
Mid	BiasMid.Img	11.02	0.788
Hi	BiasHigh.Img	22.98	0.913

In HI and MID gains, the ADC saturates before the CCD well at 4095. At LO gain, the CCD saturates at 2395 (not including the BIAS level). This gives us the full-well potential of our CCD:

$$2395 \times 91 e^- \implies 217,945 e^- \text{ PM516A full well depth}$$

At MID gain, the ADC saturates at 200,165 e- or very nearly the full well depth of the CCD. At HI gain, the ADC saturates at 101,850 e- or about half of the CCD well depth.

For 1x1 binning, then, we can characterise the use of these gains. When we want to match the dynamic range of the CCD most closely with the ADC, we should operate at MID gain. When we are counting very few photons and want the greatest sensitivity of the instrument, we should operate at HI gain, understanding that the dynamic range of the instrument is halved. However, when struggling for every photon, dynamic range is not usually an issue.

LO gain is setup for use in larger binning situations. We typically collect data in 2x2 binning to conserve on acquisition time and archival space. The summation well on the PM516A has four times the well-depth of a pixel, so that when we bin 4 pixels together (2x2), the summation well can handle the increased dynamic range (870Ke-). LO gain has a dynamic range (in 2x2 binning) of 4095 x 91e- which is: 370Ke-. This is roughly double the dynamic range of the MID gain, but one should note that for 2x2 binning, the ADC will still saturate before the summation well (4 pixels deep), so the full dynamic range of 2x2 binning is not realized.

These gains were confirmed radiometrically using a C14 Light source for comparison. A sequence of images using the 486.7nm filter and the intensifier at a constant gain were taken for each of the CCD gains and added together giving:

	<u>HI Gain</u>	<u>MID Gain</u>	<u>LO Gain</u>
Image stats:	15428 ADU	7515 ADU	4089 ADU
CCD Gain:	25e-/ADU	49e-/ADU	91e-/ADU

	<u>MID/LO</u>	<u>HI/LO</u>	<u>HI/MID</u>
Ratio of stats:	1.84	3.77	2.05
Ratio of Gains:	1.86	3.64	1.96

The correlation between these two measurements is extremely close as is to be expected.

2.1.8 Centering the image in the CCD

Because of mechanical tolerances and the difficulty of physically centering the CCD inside the vacuum chamber exactly along the optical axis of the instrument, it was noticed during calibration that the image was not centered in the CCD. From the images taken during the first part of the calibration, it was decided that the image needed to be moved about 20 pixels to the left, or about .015".

CCD Housing Modification: The CCD housing was modified to allow the CCD head to move inside and two access holes were drilled in the front of the housing to access the mounting screws on the CCD head cover plate.

CCD Head Modification: The cover plate holes were slotted to allow movement of the CCD head with respect to the cover plate thus moving the orientation of the CCD with respect to the optics axis (the Rodenstock 42mm lens screws into the cover plate).

To adjust the position of the image in the CCD, remove the CCD head from the CCD housing. Remove all the 4-40 screws from the CCD cover plate on the front of the CCD head except the two horizontal screws as shown in Figure 2.12.

Looking at the front of the CCD Head

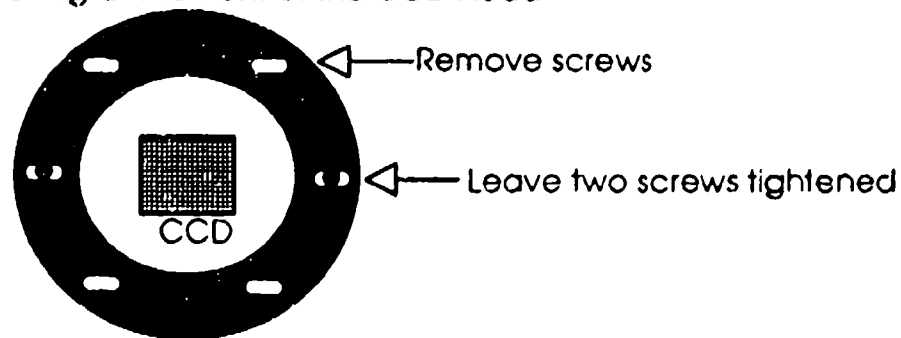


Figure 2.12 -- CCD cover plate screws

With just these two screws holding the cover plate to the CCD head, re-install the CCD head into the CCD housing and take an image. Using the two access holes in the front panel of the CCD housing, slightly loosen the two screws and move the CCD head in the desired direction and re-tighten the screws. Take another image. Repeat this process until the image is centered, and tighten the two screws down tight. Remove the CCD head and tighten in the remaining 4 screws in the cover plate. Re-install the CCD head in the imager.

2.2 Relay Lens Optics

As discussed in Section 1.10, a Rodenstock 100mm collimator lens is placed in front of the intensifier output image and is coupled to a Rodenstock 42mm camera lens which re-images onto the CCD. Rodenstock computed the Modulation Transfer Function for the HAARP setup (Figure 2.13) using three different spatial frequencies (95 lp/mm, 48 lp/mm, and 24 lp/mm). The results are shown in Figure 2.14.

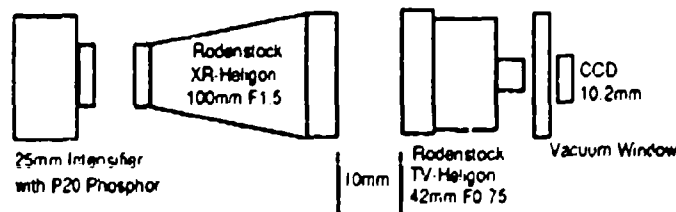


Figure 2.13 -- HAARP relay lens configuration for Rodenstock measurements

There is an intrinsic loss of light from the phosphor in the lens coupling determined by the solid angle subtended by the collimator lens. The plot from Rodenstock gives an angle of 8.53 for the maximum from the focal plane to the edge of the image. Since light from the phosphor exits over a full 180 degrees, the lens at F1.5 only uses 10% of the photons emitted from the intensifier output. From the Rodenstock plot, one can see that there is also vignetting in the lens combination of 7% (98 - 91).

MODULATION-TRANSFER FUNCTION FOR

XR-Heligon 10Cmm F 1.5 ,draw.no.3801.257.20
 + TV-Heligon 42mm F 0.75,draw.no.3801.212.22
 Phosphor : P 20 Separation : 10 mm

ON 4307 - 9001
 E - -0.047

BETA' = -0.4242 BLENDENDURCHMESSER = 55.02
 SCALE F-STOP DIAMETER

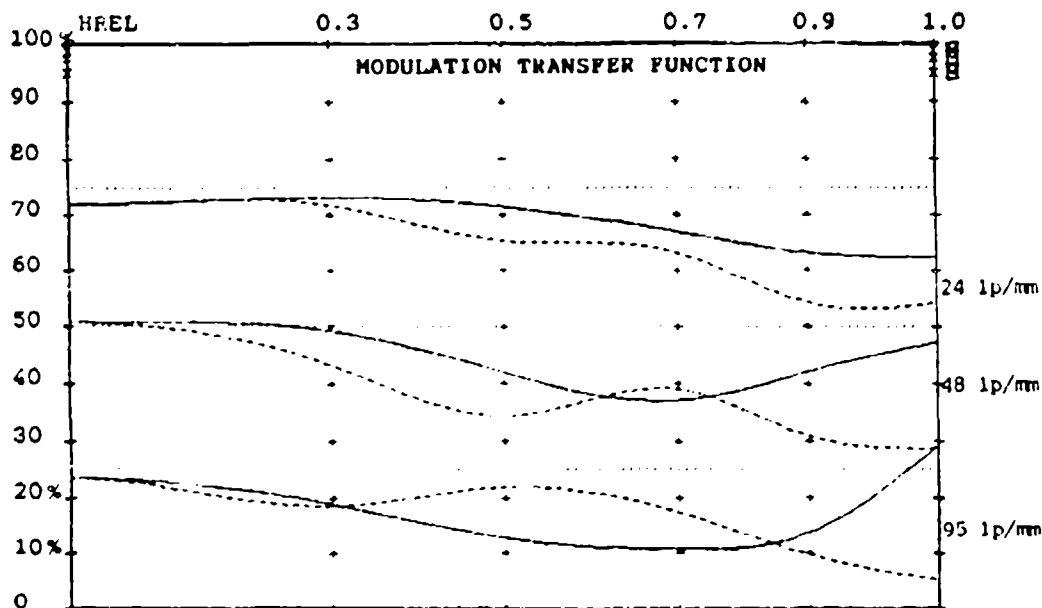
ORTSFREQUENZ: 95. 48. 24. 1/mm
 SPATIAL FREQUENCY:

F-NUMBER

(λ)
 p20p(T) LAM 446.0nm 498.0nm 550.0nm 602.0nm 654.0nm
 (Relative) BEW (%) 3.6 16.8 65.4 95.3 87.6 43.8 25.3 13.6 5.8
 (Output)

* = BEUGUNGSTHEORETISCHER WERT
 DIFFRACTION LIMITED VALUE

————— SAGITTAL
 - - - - - MERIDIONAL



Y (Dist. from center of Int) -3.75 -6.26 -8.76 -10.64 -12.51
 Y

Y' = 0 (MITTE) 1.591 2.651 3.710 4.497 5.258

Y' = 0 (AXIS)
 (Dist. from center of CCD)

WINKEL (GRAD) 2.58 4.29 5.99 7.26 8.53
 ANGLE (DEGREE)

HELLIGKEIT (%) 98 97 96 96 91
 LIGHT INTENSITY (%) (Relative Vignetting)

VERZEICHNUNG (0/00) 0.23 0.27 -0.28 -1.84 -8.16
 DISTORTION (0.1%)

Figure 2.14 -- Rodenstock Relay Lens MTF Calculations

2.3 Shutter Modifications

The HAARP imager uses two Melles-Griot shutters. During calibration of the imager, the back shutter started failing intermittently. KEO examined the rear shutter and found what we determined to be a flaw in the shutter design. The coupling ring tends to rise in the upper right hand side when the relay arm pulls the ring CCW (opening). This rising action causes friction in the mechanism and creates a starting inertia that the relay can not always overcome. It was found that applying a very light amount of pressure to the outside part of the ring at this point (see Figure 2.15) relieves the friction and allows the shutter to operate freely. It was noticed that there was wearing in the ring and metal flakes where the ring is held down by the washer.

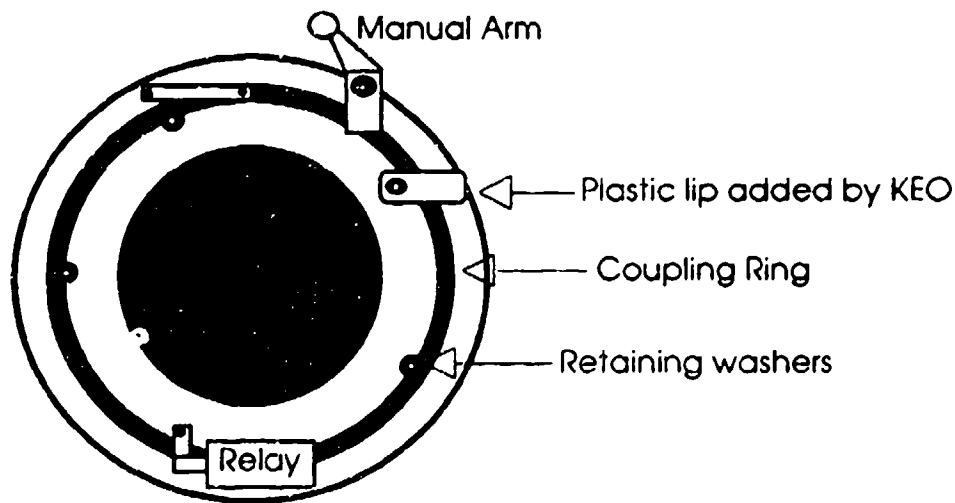


Figure 2.15 -- KEO Modification to Melles-Griot Shutter

To fix this, KEO fabricated two plastic lips (one for each shutter) to replace the metal washers. The plastic lip fastens down in the same position as one washer and extends over the coupling ring applying a little pressure on the ring. This seems to have solved the shutter failures. In the future, teflon holders could be made if the plastic lips become unreliable.

2.4 PhotoDiode Calibration

The HAARP imager has a photo-diode placed in the back shutter (SH2) of the instrument to measure the average brightness of the intensifier phosphor. This measurement gives us an idea of how bright the image is and, more importantly, whether the image intensifier is operating in AGC (automatic-gain-control) mode and thus not operating with linear gain. A typical image intensifier output curve is shown in Figure 2.16.

The HAARP imager uses a EG&G VACTEC VTB9413B photodiode. This photodiode has an IR rejection filter on it and has a spectral response (peak is 580nm; range is 320nm - 720nm) similar to the output of the intensifier P20 phosphor. A photodiode was chosen for this application because of its relatively fast rise/fall times.

The photodiode output is amplified by an ADS15 inside the shutter housing (see Section 3.11), and then to the KEO Interface board where its gain can be adjusted using the potentiometer VR4. This potentiometer is used to set the output voltage going into the controller's ADC to peak near 5V when the intensifier is in AGC mode. Thus, by reading this ADC value, the controller can monitor whether the intensifier is operating in its linear range or not. (It turns out that for auroral applications, a typical image does not push the intensifier output anywhere's near the AGC limit).

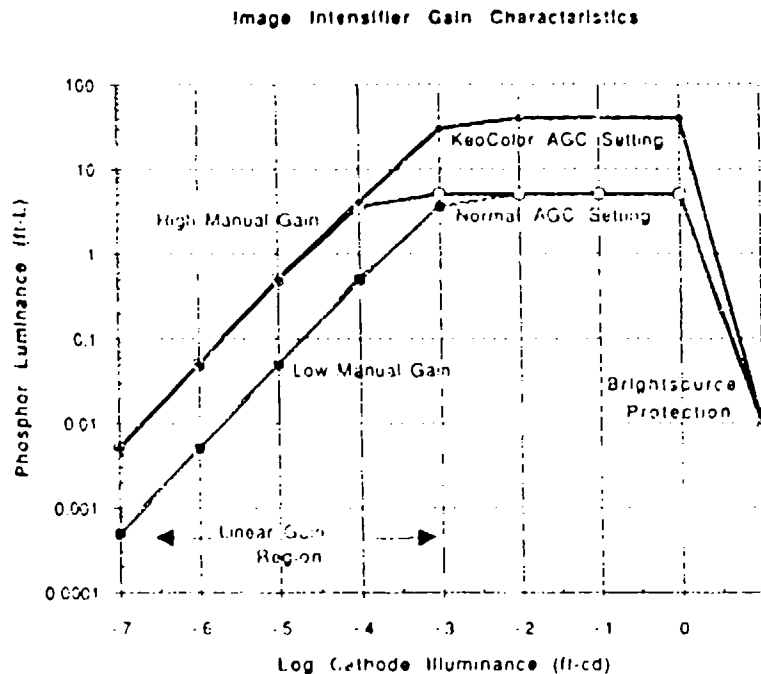


Figure 2.16 -- Typical Image Intensifier Output Curves

The MIP imager used a VTB9413 photodiode, which has a glass window instead of the IR rejection window. This photodiode has a much higher output than the HAARP imager's VTB9413B. To accommodate this difference, a 5.11K Ω resistor had to be added in parallel to the 10K Ω resistor R11 on the KEO Interface board to increase the gain for the AD515 output (see the schematic in the Hardware Chapter). The output at very low light-levels from the AD515 was found to be greater than 0 volts which produces a negative voltage at the input to the ADC (producing 0 ADU's). This limits the photodiode's very low-light level resolution as can be seen in the calibration data. A zero-offset potentiometer could be added to the AD515 amplifier card if necessary.

The following is the Photodiode calibration data for 8/27/93:

Intensifier Gain: Minimum

Setup Gain: Min	Relative Illuminance	AD515 Output (mV)	ADC Input (V)	ADC Output (ADU)
Int Off:		2.1	-0.056	0
Shutter Clsd		3.8	-0.084	0
Shutter Open	0	3.3	-0.076	0
LS #10	1	0.7	-0.33	0
LS #9	2	-3.5	0.039	2
LS #8	4	-10.8	0.162	9
LS #7	8	-27.7	0.45	24
LS #6	16	-58	0.966	51
LS #5	32	-122	2.053	108
LS #4	64	-207.3	3.5	185
LS #3	128	-242.6	4.1	217
LS #2	256	-258.9	4.38	231
LS #1	512	-268.6	4.54	240
LS #0	1024	-274.6	4.64	245

Intensifier Gain: Maximum

Setup Gain: Max	Relative Illuminance	AD515 Output (mV)	ADC Input (V)	ADC Output (ADU)
Int Off:		2.1	-0.057	0
Shutter Clsd		3.9	-0.085	0
Shutter Open	0	2	-0.54	0
LS #10	1	-36.1	0.592	31
LS #9	2	-101.2	1.699	90
LS #8	4	-196.2	3.31	175
LS #7	8	-250.6	4.24	223
LS #6	16	-268	4.53	239
LS #5	32	-279.3	4.72	249
LS #4	64	-287	4.85	255

The plots in **Figure 2.17** show the curves for the above data. Notice the linear region and the gradual approach to the AGC mode.

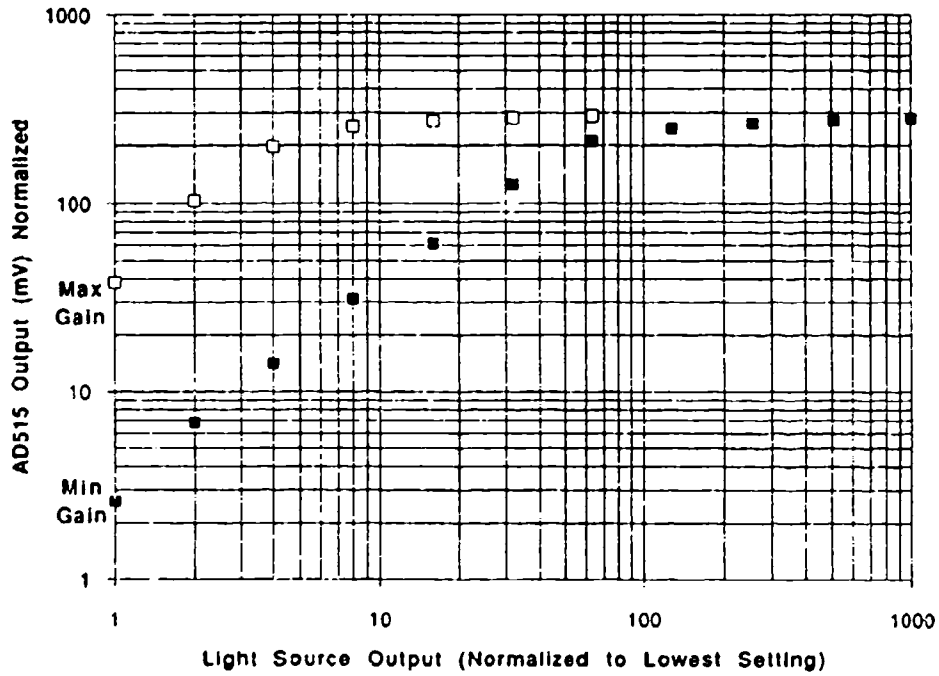


Figure 2.17a -- PhotoDiode Output: AD515

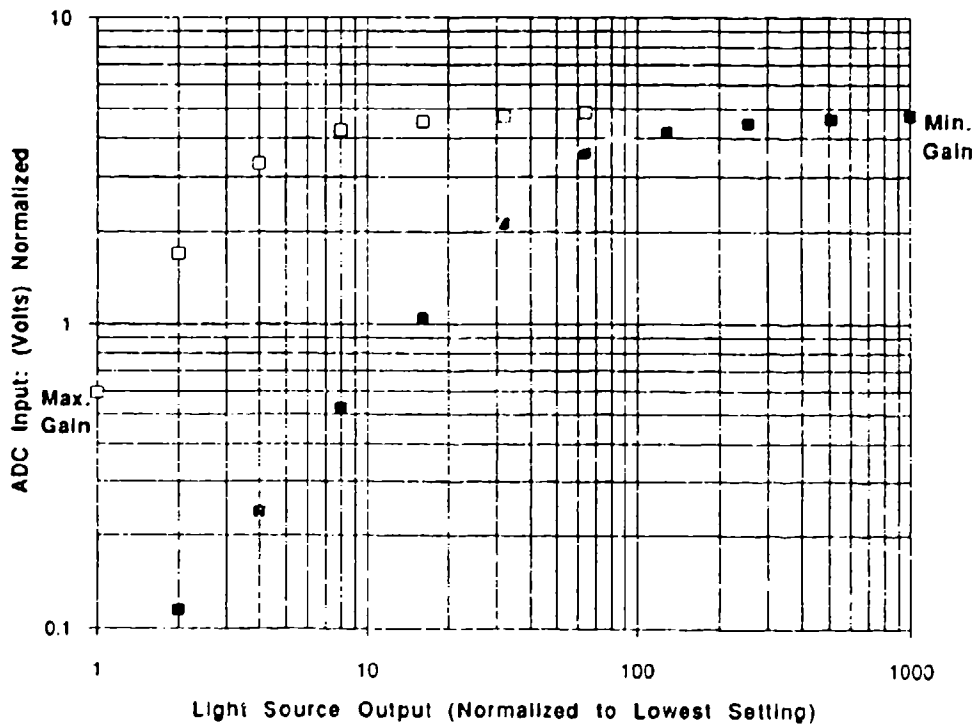


Figure 2.17b -- PhotoDiode Output: 68HC11 ADC Input

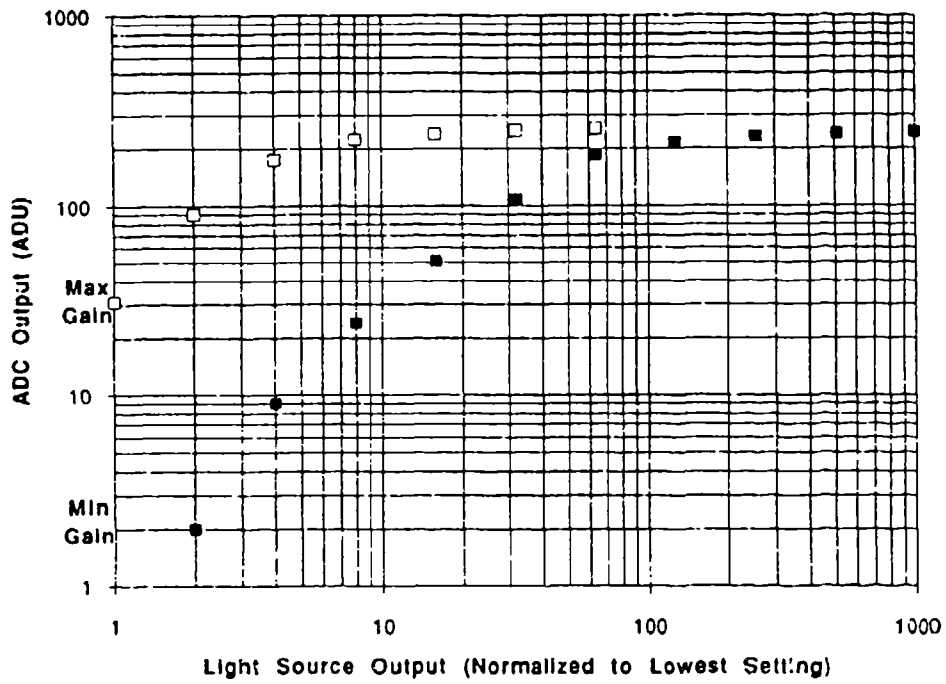


Figure 2.17c -- PhotoDiode Output -- ADC Output

PhotoDiode Output: PE4 .vs. ADU -- HAARP 8/93

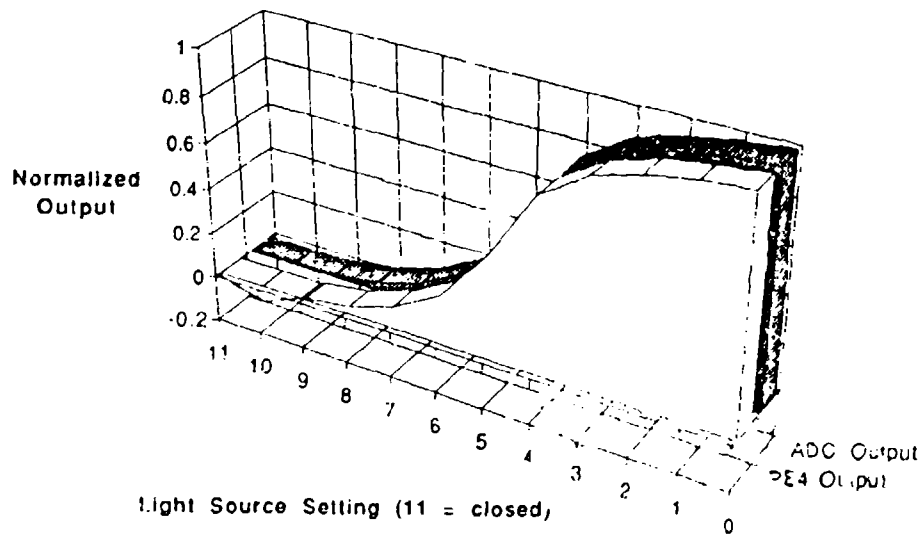


Figure 2.17d -- PhotoDiode Output -- ADC Linearity

2.5 Image Intensifier Performance

The HAARP imager has a 25mm Gen-2 Inverter intensifier with an S20ER photocathode and a P-20 phosphor.

2.5.1 VARO Specifications

SERIAL NO. 9301115

25MM 2ND GEN INVERTER WITH P-20 PHOSPHOR

PART # 510-3697-302

WHITE LIGHT PR @ 2854°K: 295 μ A/lumen

PHOTOCATHODE SENSITIVITY:

WAVELENGTH (nm)	PHOTORESPONSE (ma/watt)
900	1
830	12
800	17
700	28
600	41
550	47
500	50
450	51
400	66
350	69

EBI (Equivalent Background Input) 1.6×10^{-11} (lumens/cm²)

LUMINANCE GAIN

@ 5×10^{-6} INPUT ILLUMINATION: 90,000
INPUT CURRENT 16 milliamps

@ 5×10^{-5} INPUT ILLUMINATION: 6,665
INPUT CURRENT 15 milliamps

OUTPUT BRIGHTNESS

@ 5×10^{-4} INPUT ILLUMINATION: 1.2 F.L.
INPUT CURRENT 14 milliamps

@ 5×10^{-3} INPUT ILLUMINATION: 1.2 F.L.
INPUT CURRENT 14 milliamps

@ 5×10^{-2} INPUT ILLUMINATION: 1.4 F.L.

@ 10×10^0 INPUT ILLUMINATION: OFF

CATHODE AND SCREEN QUALITY: OK

CENTER RESOLUTION: 32 LP/MM

Figure 2.18 -- VARO Intensifier Specifications

2.5.2 P20 Phosphor Spectral Curve

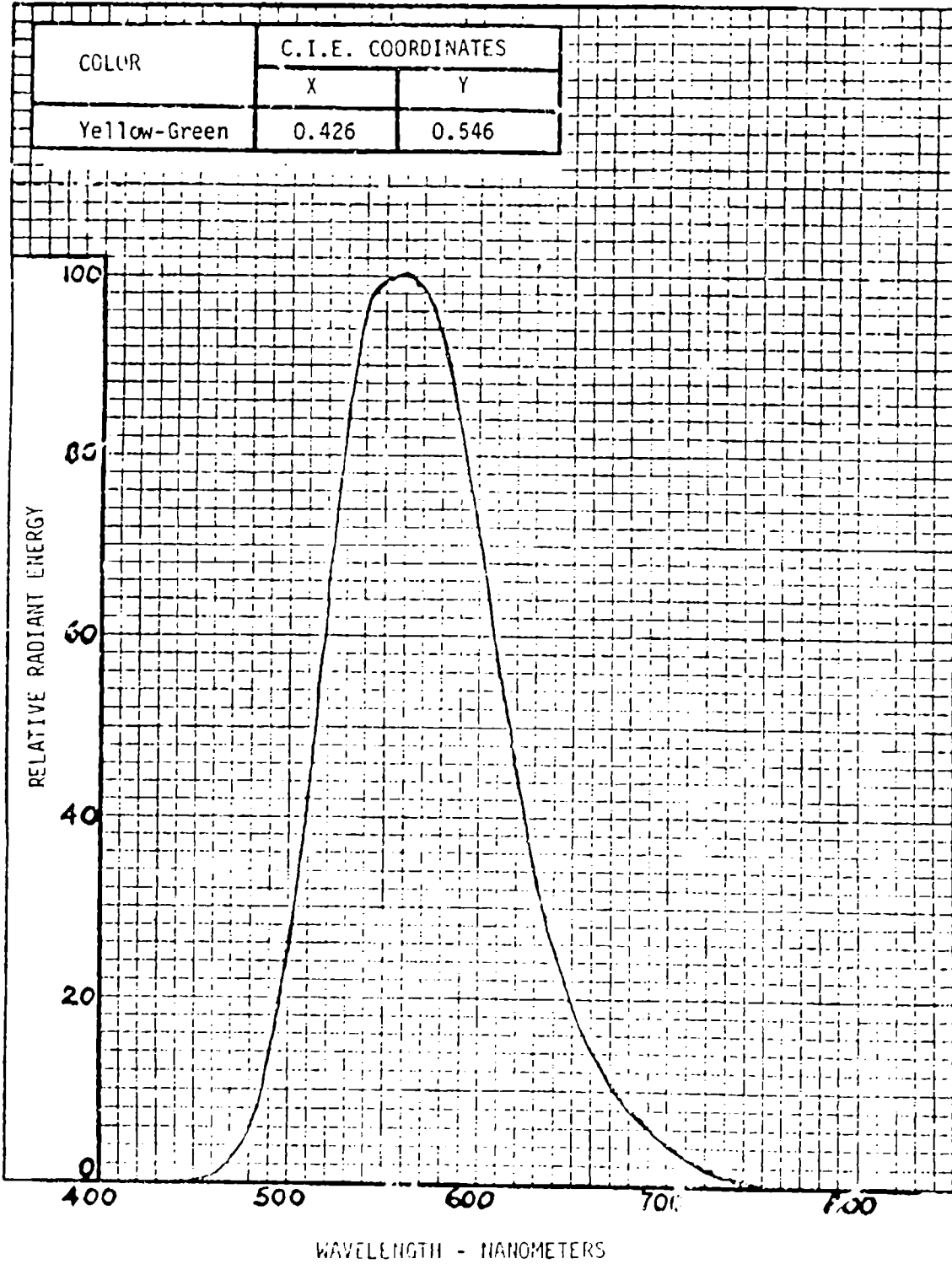


Figure 2.19 -- P20 Phosphor Spectral Output

2.5.3 Image Intensifier Resolution and CCD Resolution

The Image Intensifier is quoted from VARO as having a center resolution of 32 lp/mm at a Modulation Transfer Function of 2.5% which is what the eye can just detect. VARO quotes their tubes at three different resolutions:

2.5 lp/mm	MTF: 90%
7.5 lp/mm	MTF: 60%
15 lp/mm	MTF: 25%

KEO projected a TV pattern directly onto the front of the image intensifier and looked at the intensifier resolution (Figure 2.20). To do this, the curvature correction lens and the cooler window were removed.

As discussed in Section 2.1.4, the theoretical limit of the CCD at full resolution is 25 lp/mm. Because we are mapping a 10mm CCD image from a 25mm Intensifier image (100mm/42mm gives a 2.4:1 image reduction), this limit gets transformed back to 10 lp/mm on the image intensifier. According to the above specifications, we get an MTF of about 40% at this resolution.

This points out that the CCD is the limiting factor for the imager. Further, if we acquire images at 2x2 binning giving the CCD a pixel size of 40um, the CCD resolution limit is 12 lp/mm which corresponds to 5 lp/mm on the intensifier giving an MTF of about 75%. The resolution limit of the intensifier is quoted in the VARO specs at 32 lp/mm which would give 80 lp/mm resolution at the CCD (requiring 6um pixels corresponding to a 1632x1632 10.2mm² CCD!).

The real resolution of the imager is worse than this, however, because these calculations assume that the 'pixels' of the intensifier exactly overlap the pixels of the CCD. In practice, this never happens as light from one intensifier 'pixel' falls into adjacent CCD pixels thus lowering the effective MTF of the image.

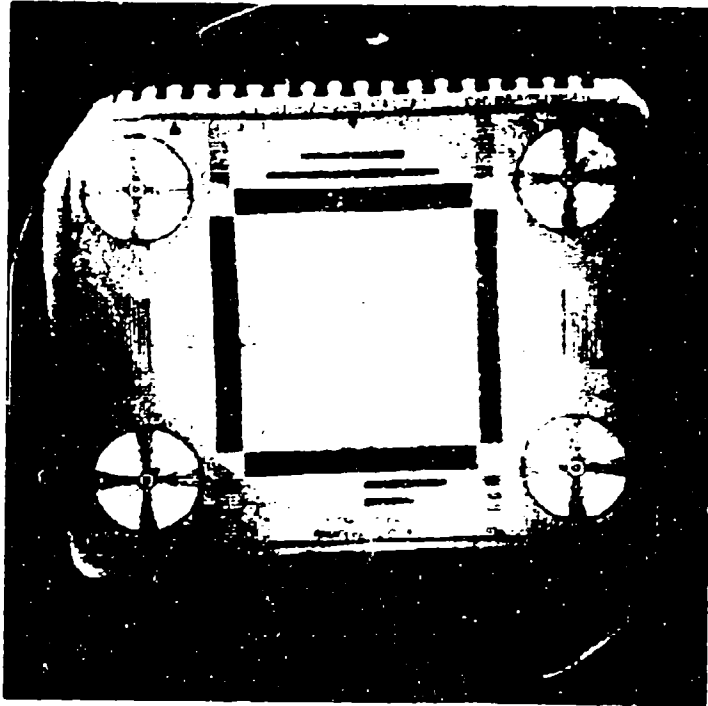


Figure 2.20 -- System Resolution with Intensifier

From examining the resolution image in **Figure 2.20**, one can by eye discern the four resolution lines down to about 200. Converting this to full resolution (accounting for fitting the rectangle in a circle, rather than the circle in the rectangle) corresponds to about 300 lines. 300 lines over the 25 mm intensifier comes out to about 12 lp/mm which is close to the theoretical limit of the CCD. One can see higher resolution by looking at the intensifier directly which confirms that the CCD is the limiting factor for the imager's resolution.

2.5.4 Image Intensifier Mask

On the resolution image in **Figure 2.20**, one notices a bright ring around the edge of the intensifier. It was found during calibration that this ring is dependent on light at the edges photocathode. In **Figure 2.21**, one can see this effect more dramatically.

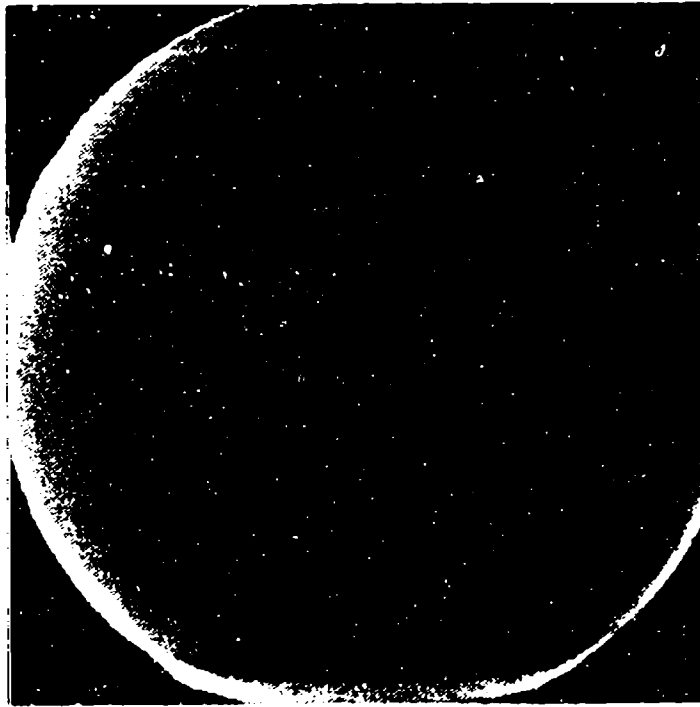
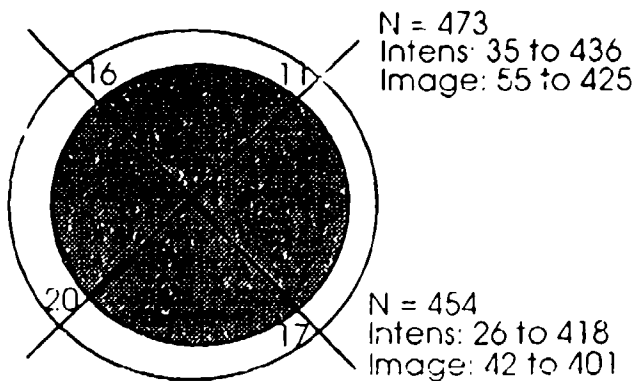


Figure 2.21 -- Image Intensifier Edge effects

KEO has noticed this problem frequently when using VARO intensifiers. An engineer at VARO confirmed that their tubes do have this problem and that it is related to the cleaning process of the micro-channel plates that increases the sensitivity at the edges of the image.

Since the actual image from the front optics is imaged to be 23mm in size on the photocathode of the intensifier it was decided by KEO to put a mask on the front of the intensifier that would block light from hitting the edges of the photocathode. The actual image size was first measured on the intensifier as shown in **Figure 2.22**

Measurements from Image



Front of the physical Image Intensifier

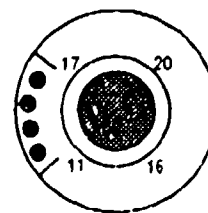


Figure 2.22 -- Fisheye Image on the Intensifier and it's measurement

As can be seen in the above figure, the orientation of the image in the intensifier was carefully measured and found to be slightly askew. The diameter of the intensifier in plot-points along the above plots is about 400 points or 16 points/mm. From the above measurements, the image is about 23 mm (image diameter: 370 points) which confirms the optics design. It should be noted for Figure 2.22 and the above numbers, that the term 'points' in this case is a relative diagonal of the CCD pixel size. This comes about from the way the AFG software reads a line of pixels at an angle. Assuming the plots were at about 45°, the CCD pixel dimensions would be about 1.4 times these values.

An Image Mask was fabricated out of Delrin with a 23.5mm ID offset .010" from the center of the mask assembly. This assembly was inserted into the recessed space of the curvature correction lens holder, between the lens and the intensifier. Care was taken to assure that the mask offset matched that of the image. An image was taken with no lens on the front (MASKNOLN.IMG) and with the Fish-Eye lens (MASKFSH2.IMG) to check that the mask was not blocking out any of the image. 10 pixel locations were measured along the edge of each of the circles and then the respective circle geometries were calculated in CCD pixels from these points:

Intensifier Image:	R = 262 pixels	X _{org} = 246	Y _{org} = 267
Intensifier Mask:	R = 248 pixels	X _{org} = 244	Y _{org} = 266
Fisheye Image:	R = 243 pixels	X _{org} = 253	Y _{org} = 261

The mask distorts slightly when placed in the lens holder and thus does not form a perfect circle in the intensifier image. As seen in Figure 2.23, the mask greatly reduces the edge affect of the image intensifier.

This image also points out the image centering problem talked about in Section 2.1.8 and fixed later during the calibration. In addition to centering the image in the CCD, the image needed to be centered somewhat in the intensifier image. To do this, the bayonet mount for the Canon 85mm lens was tightened with pressure applied towards the top of the intensifier housing, and a .005" shim was put under the front shutter to raise the Close-up lens slightly. As can be seen from the above data, the Fisheye image is now fairly well centered with respect to the CCD (dx = -2 pixels, dy = +6 pixels).

Using the data above, the 25mm intensifier has a radius of 262 pixels, or 10.5 pixels/mm. This gives an image size of $243/10.5 = 23.1$ mm which confirms the optics design. This also shows that the image is offset from the CCD's optical axis by -0.2 mm (X) and $+0.6$ mm (Y).

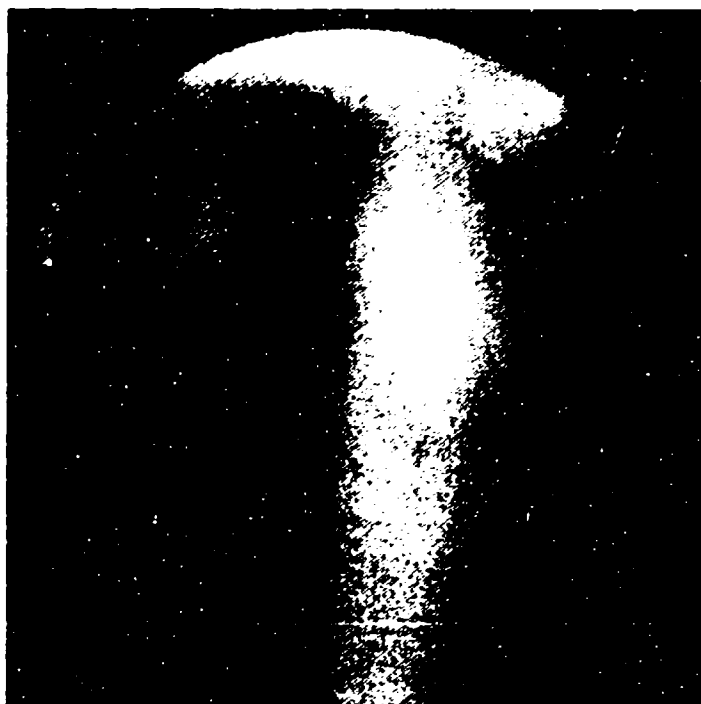


Figure 2.23 -- Image Intensifier with Mask (no front lens)

2.5.5 Image Intensifier Flat-Field -- System Flat-field

Getting an accurate flat-field image of the system has always been a very challenging task for the calibration of the instrument. Assuming all non-uniformities in front of the image intensifier have spherical symmetry (vignetting curves), a good flat-field of the system from the image intensifier back will be fairly accurate. Of course, the non-uniformity of the filters are not taken into account in this analysis. One could isolate the non-uniformity of the intensifier by taking into account the 7% vignetting of the re-imaging optics (Section 2.2) and using the CCD flat-field image (Section 2.1.3).

VARO Image Intensifier tubes are not rated to be very uniform as they are produced for a mil-spec standard where uniformity is not a necessary requirement. The factory specification for uniformity is to within 2:1. Visual inspection of the HAARP image intensifier revealed an unusually uniform tube compared to most of the tubes KEO Consultants has received in the past.

To get an intensifier flat-field, the curvature correction lens had to be removed. **Figure 2.24** demonstrates the calibration setup used. To cut down on ambient room light distorting this flat-field, the calibration was done at night with great care taken to minimize contaminating light sources.

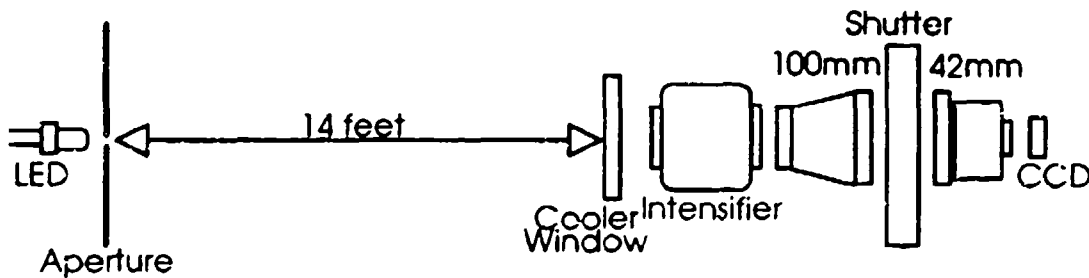


Figure 2.24 -- Image Intensifier flat-field Setup

The intensifier tube used in the HAARP imager was delivered with a back fiber-optics plate mis-alignment of greater than .005" (.002" out of specification). Because of this, there is a very slight focusing discrepancy between the different sides of the intensifier. The re-imaging optics were focused to compromise between the difference.

Three images were taken. (1) Intensifier Dark Noise (2) Room integration [LED turned off] (3) LED integration. Each image is an addition of 5 images to get better statistics. Examination of the Room integration and the LED integration shows that the ambient light in the room accounted for about 4% of the light in the LED integration. This is important as the ambient light in the room is not guaranteed to be uniform over the photocathode of the image intensifier. Profiles for these two images are given in **Figure 2.25**.

Examination of this flat-field image, shows a maximum non-uniformity of around 1.6:1 which confirms our visual observation of this being an unusually uniform tube (by VARO's specifications). This image (**Figure 2.26**) also clearly shows the results of the image intensifier mask (Section 2.5.4) and the results of the CCD orientation (Section 2.1.8).

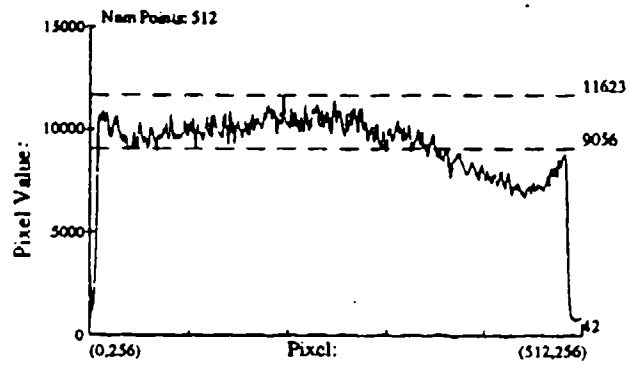


Figure 2.25a -- Profile of Intensifier Flat-Field image

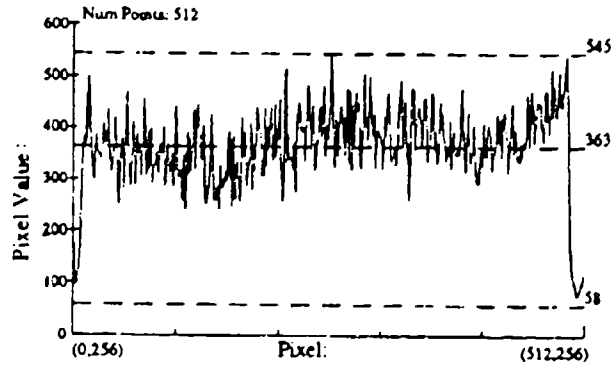


Figure 2.25b -- Profile for Ambient Light in Flat-Field

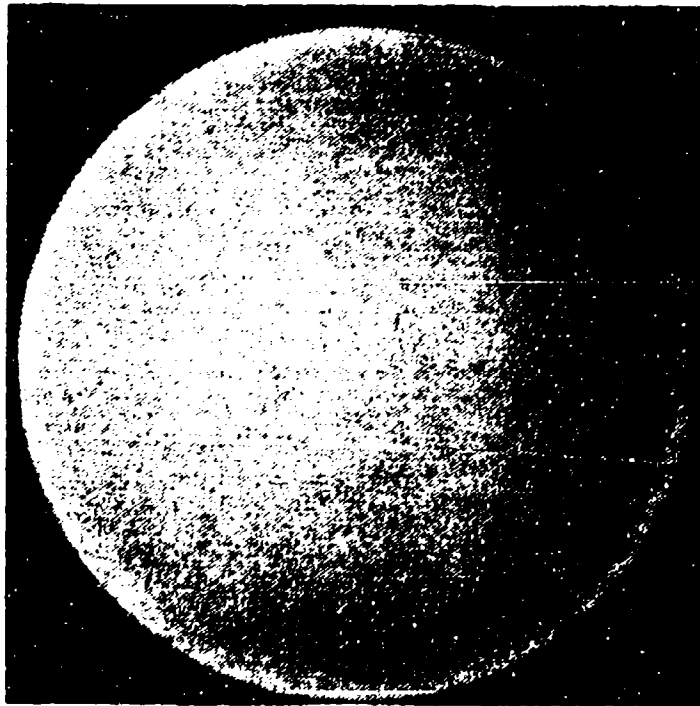


Figure 2.26 -- Image Intensifier Flat-Field Image
 [Stretched: Black = 200, White = 17000]

2.5.6 Image Intensifier Gain Calibrations

There are four gains for the image intensifier that can be set either via the instrument's control panel, or by computer control. These gains are notated as 0, 1, 2, and 3 going from minimum gain to maximum gain. A calibrated light source was used to adjust the intensifier gains by adjusting potentiometers VR5-VR7 on the KEO Interface board (see Hardware manual). The minimum and maximum gains are determined by the maximum dynamic range of the image intensifier and is typically in the neighborhood of 10. The results of the 8/27/93 gain calibration are:

Gain	Exposure	Signal-Noise	Normalized	Ratio(min)	Ratio(max)
0	10 sec	3235	3235	1	0.07
1	10 sec	6593	6593	2.04	0.14
2	5 sec	6475	12950	4.00	0.28
3	2.5 sec	11698	46792	14.46	1

We notice from this calibration that this particular intensifier tube has an unusually high gain range. This ratio can also be seen on the Photodiode calibration plots in Section 2.4. Since the low gain settings are used more often (to reduce intensifier noise), the first three gains were calibrated to be ratios of 2.

2.5.7 Intensifier Dark Noise

Similar to the CCD, the intensifier has dark current mostly associated with the Trialkali Photocathode. This dark current is temperature dependent as is displayed in Figure 2.27.

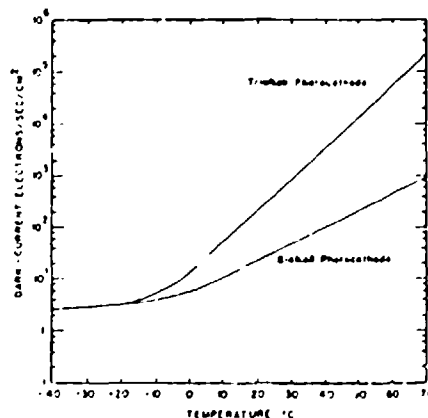


Figure 2.27 -- Photocathode Dark Current

There is also image intensifier noise that appears as much brighter spots, called "ion-noise". This is due to positive ions created at the input of the micro-channel plates. There is an aluminized layer on the front of the MCP which is designed to stop these ions from drifting back to the cathode. Occasional ions are accelerated back into the photocathode, emitting a burst of electrons, creating a large flash of light. When looking at the output of an image intensifier, it is easy to distinguish between the two types of noises. In calculating the average dark current for the image intensifier, these occasional "ion" spots were avoided.

Curves for the intensifier dark current are shown in Figure 2.28. Notice that, similar to the CCD, we get about a factor of 2 reduction in dark current for every 6°C of cooling (or factor of 10 for every 20°C of cooling). It can be seen from Figure 2.27 above, that only about another factor of 10 could be achieved by cooling the photocathode down to about -20°C. The HAARP intensifier designed was chosen to cool to around 1-5°C to avoid condensation on the cooler window. Typically, the cooler achieves a differential of about 20°C.

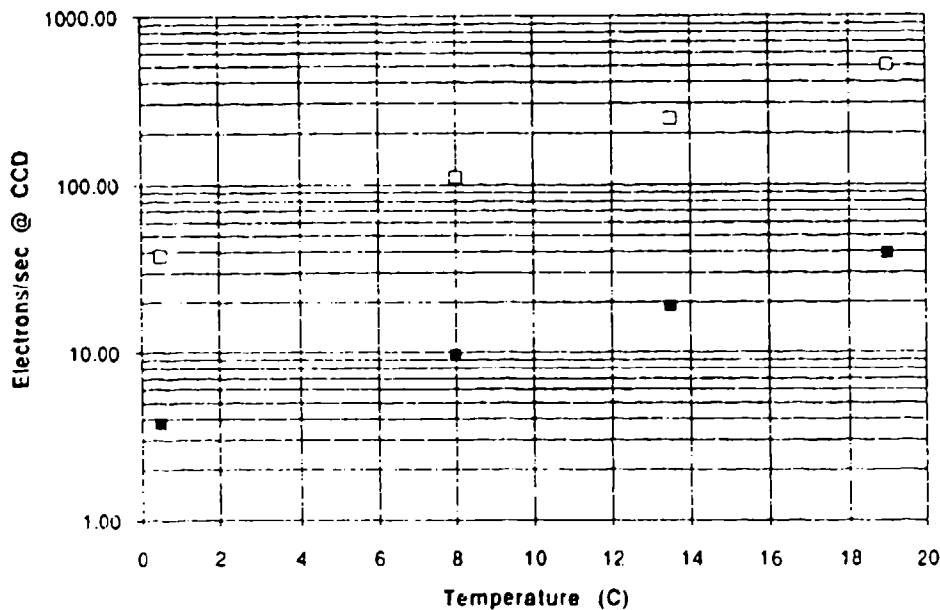


Figure 2.28 -- HAARP Intensifier Dark Current

The intensifier dark current .vs. temperature was measured by disconnecting the Intensifier Cooler TEC power and putting different valued resistors in series to reduce the effective cooling power of the TEC. The CCD was still cooled to it's maximum during these exposures and the CCD dark current was subtracted out to get only the contribution of the image intensifier photocathode.

2.6 Filters

Filter transmission curves were measured for the HAARP imager and are as follows:

Wavelength (λ)	% Transmission	Width (\AA)
4282	61.5	21.9
4867	72.4	28.6
5300	68.7	24.7
5581	76.4	15.8
6304	77.3	15.6
7778	70.8	15.6

The Filter curves are shown in Figures 2.30 through 2.35.

A flat-field for the filters was not measured for this calibration due to the difficulty of attaining an accurate measurement. In order to measure this flat-field, we would need a uniform, monochromatic light source. Optically, to get a telecentric uniform image projected on the filters, we would need to build a setup shown in Figure 2.29.

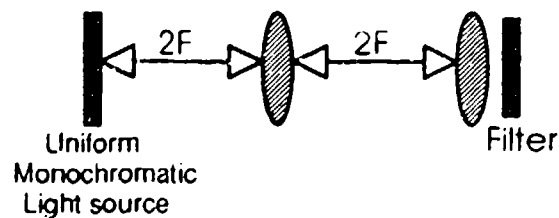


Figure 2.29 -- Optical Setup for flat-fielding Filters

BARR ASSOCIATES, INC.
 Inst: SPEX 1704
 Date: 7-31-92
 Temp: 24°C
 Cal: _____
 Insp: MA
 P/N: 4282/20
 Lot #: 3092

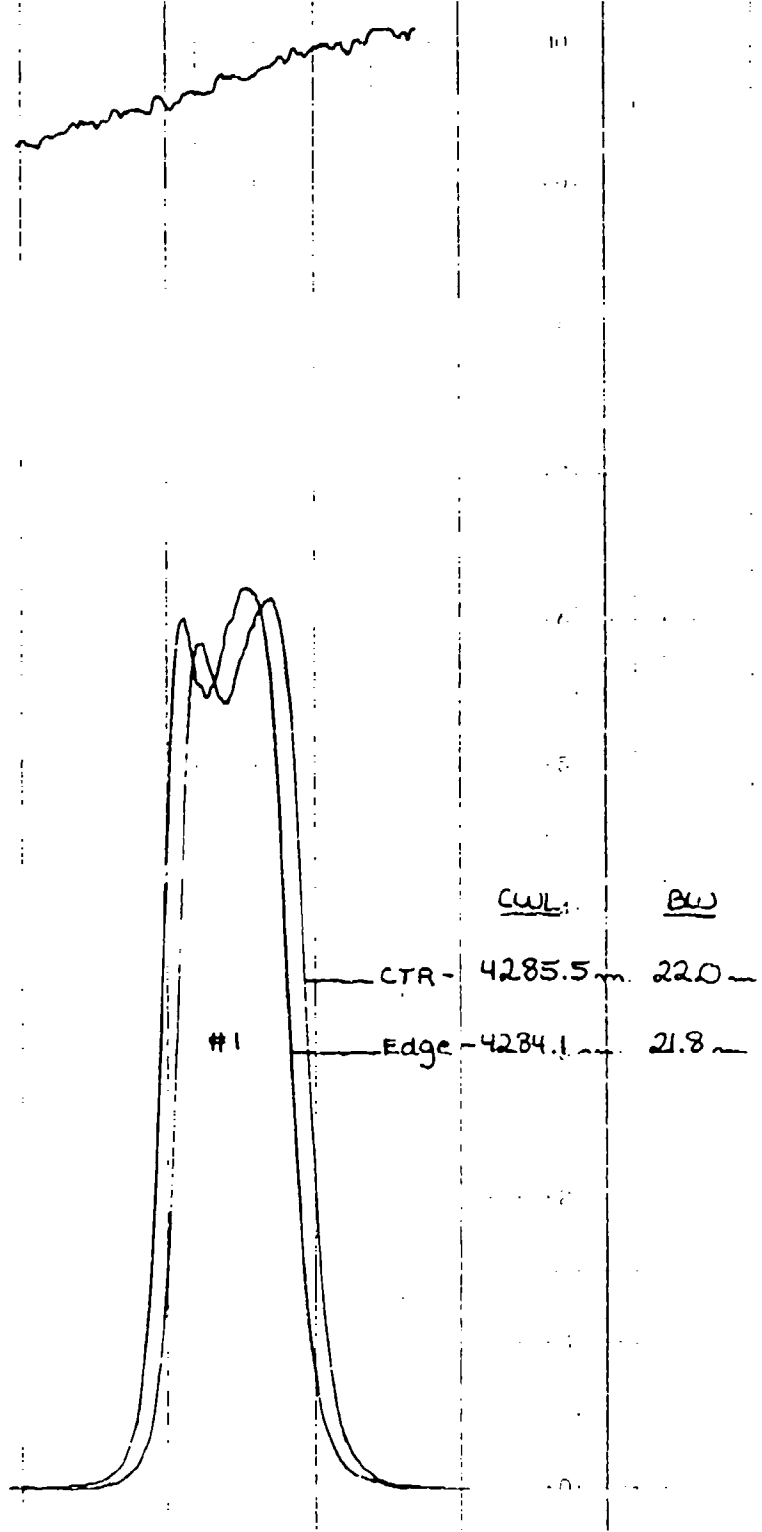


Figure 2.30 -- Transmission curve for 4282Å Filter

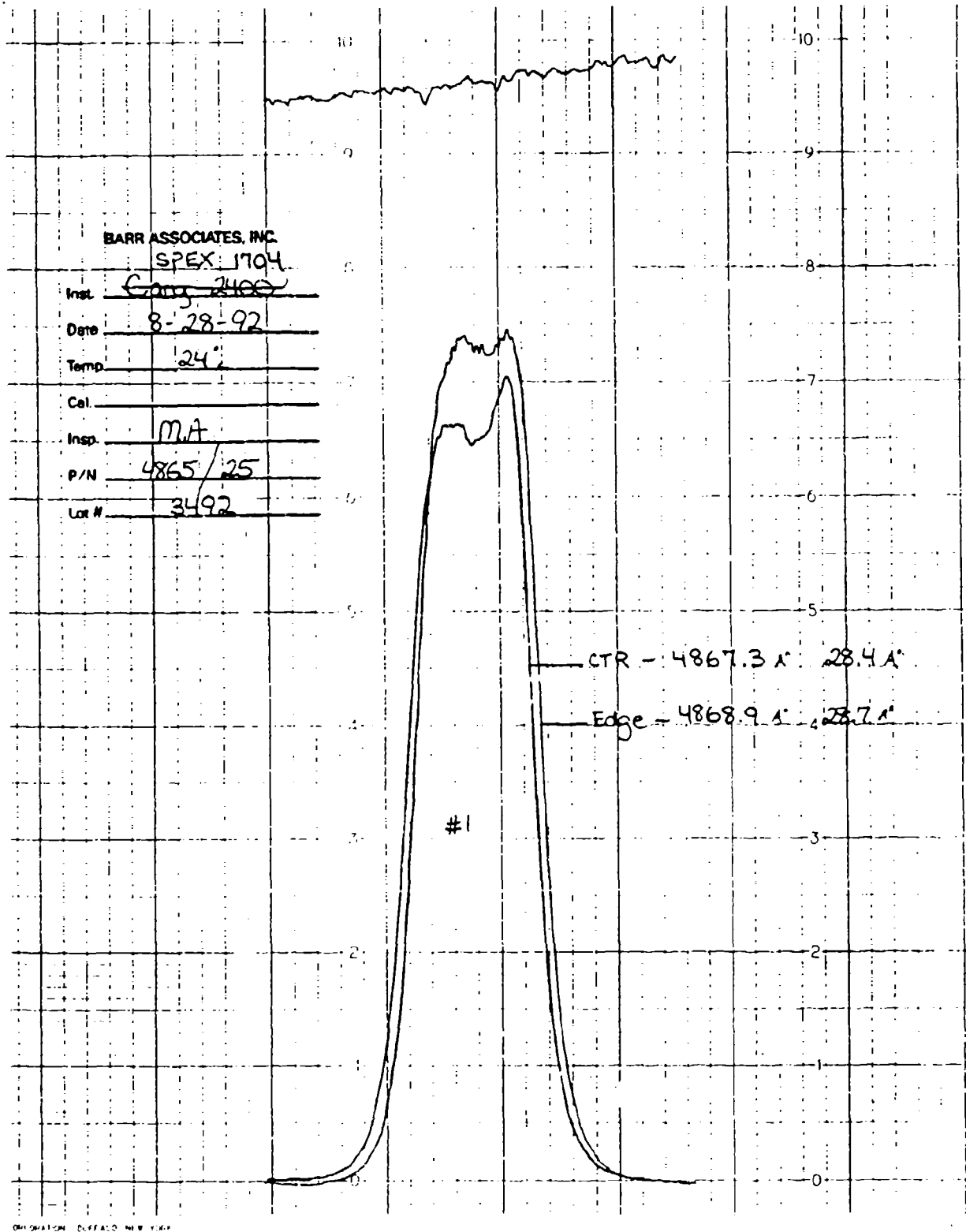


Figure 2.31 -- Transmission curve for 4867Å Filter

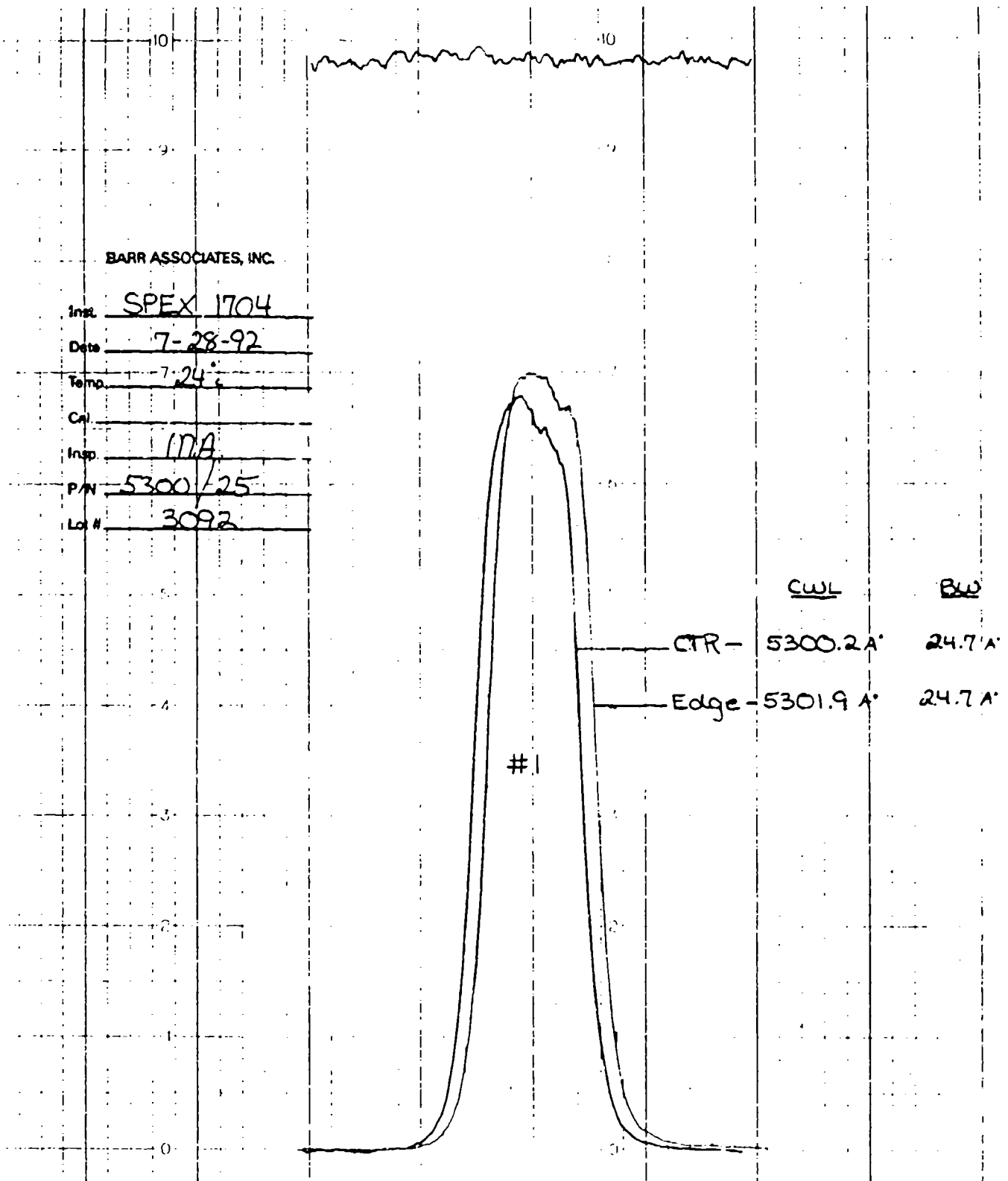


Figure 2.32 -- Transmission curve for 5300Å Filter

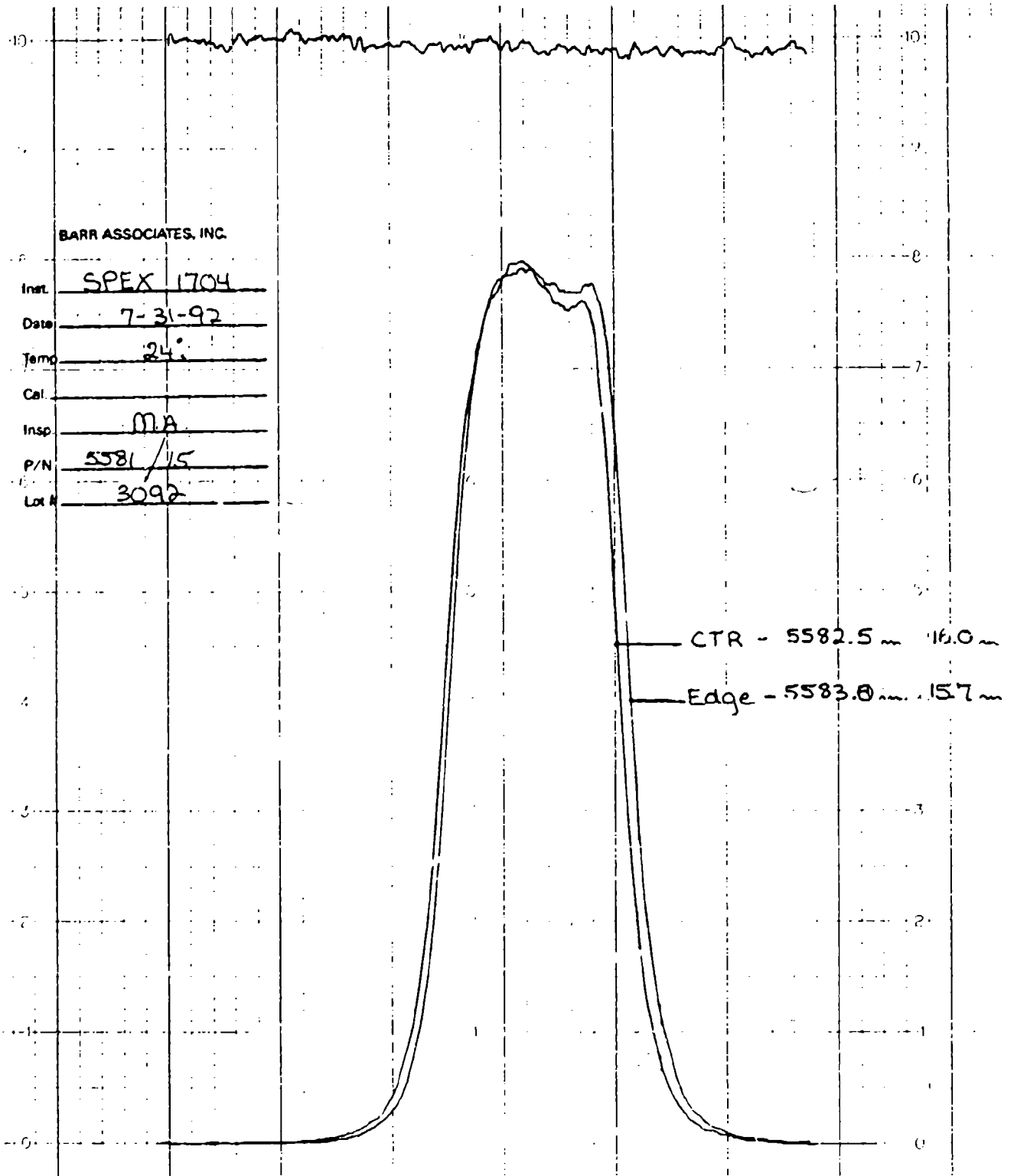


Figure 2.33 -- Transmission curve for 5581 Å Filter

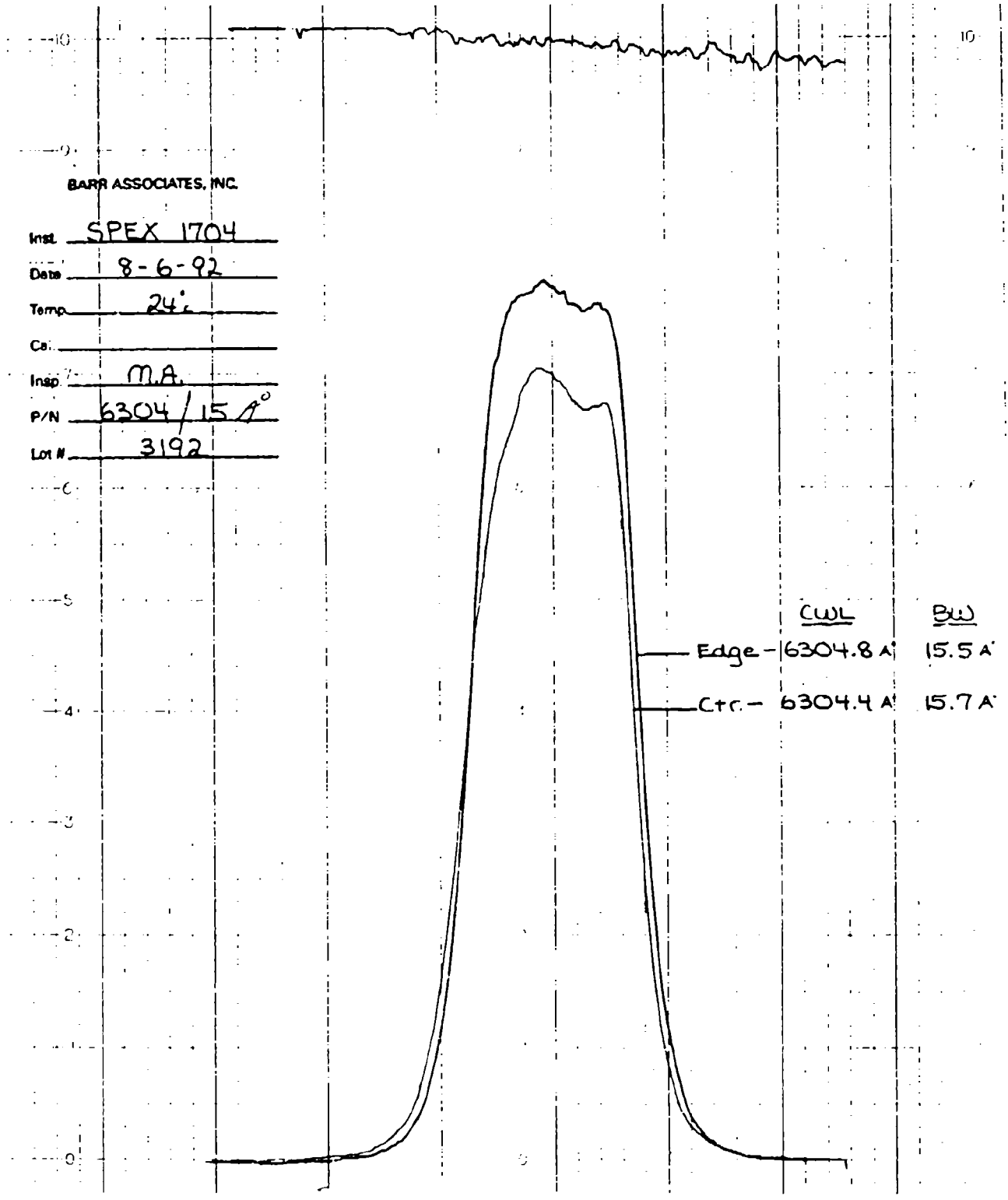


Figure 2.34 -- Transmission curve for 6304Å Filter

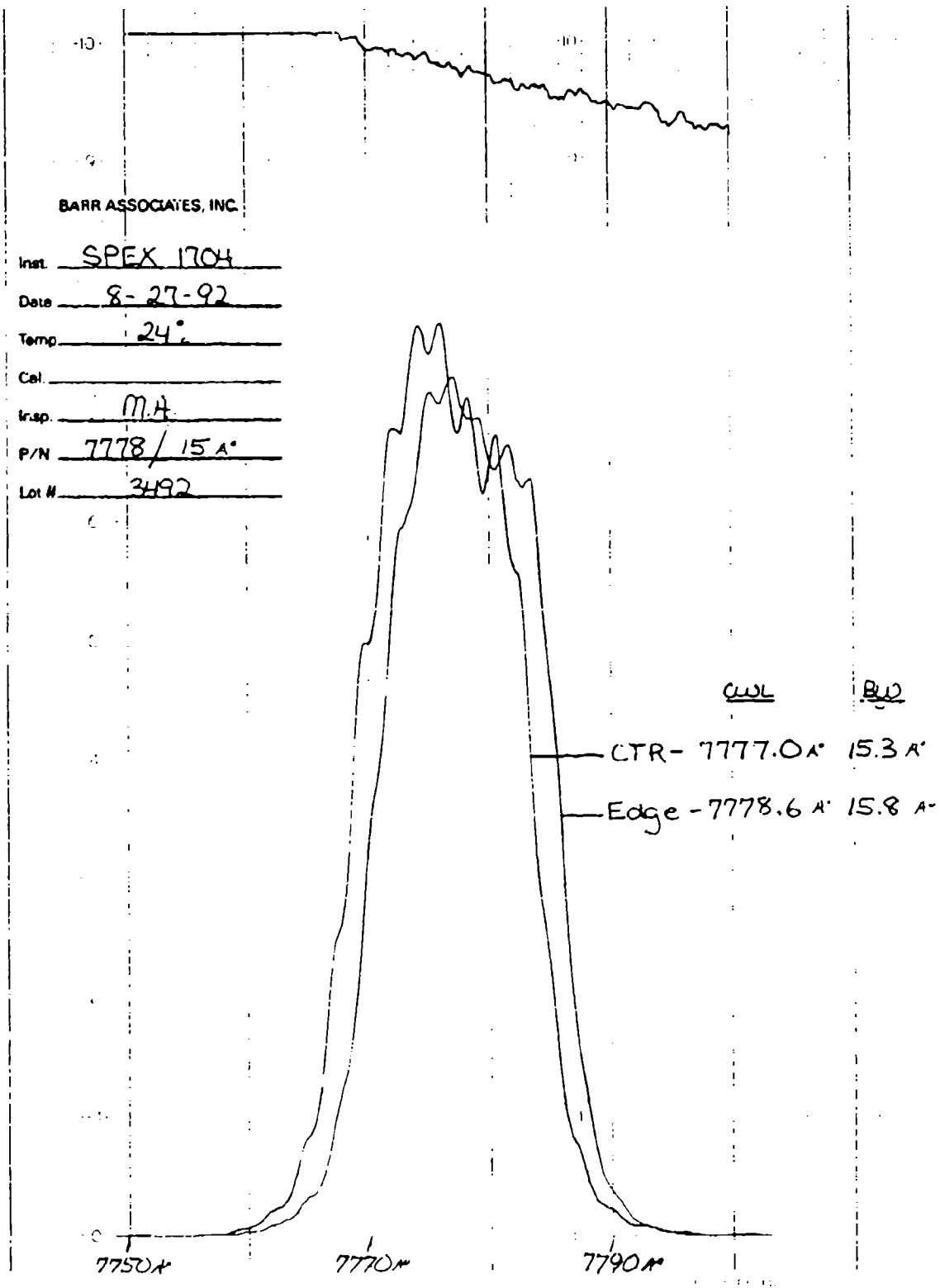


Figure 2.35 -- Transmission curve for 7778 Å Filter

The interference filters require an image with a cone angle of 7° (or $f4$). Two 4" achromat lenses could be placed a distance of two focal planes apart:

$$\text{For } f4, \text{ and } d = 4": \quad F = f \times d = 16"$$

Thus, a 32" tube could be build with the two achromats at either end of the tube to get a valid flat-field image at the filter using a 4" uniform lights source. By adjusting the distances between the light-source and the lenses, we could reduce the size required for the monochromatic light-source.

A monochromatic light-source is needed because the filter transmission has a spatial variation across the filter. Thus, for a 5577\AA line the transmission will vary from point to point in the filter. To measure this non-uniformity would require very narrow-band filters at the light source. Such a calibration would be very expensive, and was not attempted.

2.7 Spectral Calibration

The HAARP Imager was calibrated for spectral sensitivity using KEO's Light Source #2. The spectral output curve for the light source is given in Figure 2.36.

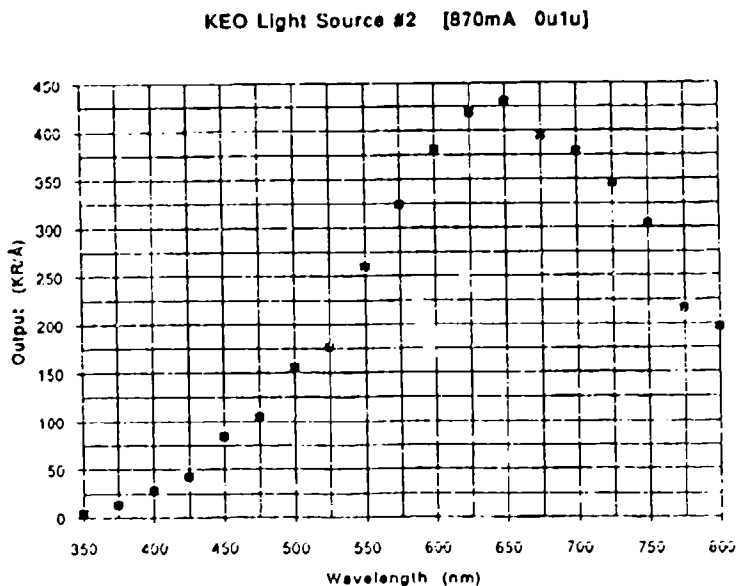


Figure 2.36 -- Spectral Output for KEO Ligh. Source #2

To calibrate the instrument, the light source was placed in front of the instrument in a dark room. For each filter, five images were taken and added together using a 5-10 second exposure, intensifier gain at 1, CCD gain at LO and 1x1 binning. The light-source setting was 0d6d.

<u>Wavelength</u>	<u>Image</u>	<u>Background</u>	<u>Signal x (10/Exp)</u>
4282Å	3207	153	3054
4867Å	13584	153	17908
5300Å	15039	134	29810
5581Å	13905	133	27544
6304Å	3278	99	22284
(These were taken MID gain, 4 second exposure)			
6304Å	14291	53	14238
7778Å	2585	53	2532

Multiplying the filter transmission and width times the light source's output, we get the following results:

<u>Wavelength</u>	<u>Transm(%)</u>	<u>Width(Å)</u>	<u>Output(R/Å)</u>	<u>Signal (R)</u>
4282Å	61.5	21.9	6.83	92.0
4867Å	72.4	28.6	18.53	383.7
5300Å	68.7	24.7	27.98	474.8
5581Å	76.4	15.8	40.60	490.1
6304Å	77.3	15.6	59.91	722.4
7778Å	70.8	15.6	30.73	339.4

Normalizing the light source outputs to 6304Å, we get:

<u>Wavelength</u>	<u>Signal</u>	<u>Relative Sensitivity</u>
4282Å	0.14	1.10
4867Å	0.80	1.51
5300Å	1.34	2.04
5581Å	1.24	1.83
6304Å	1.00	1.00
7778Å	0.18	0.38

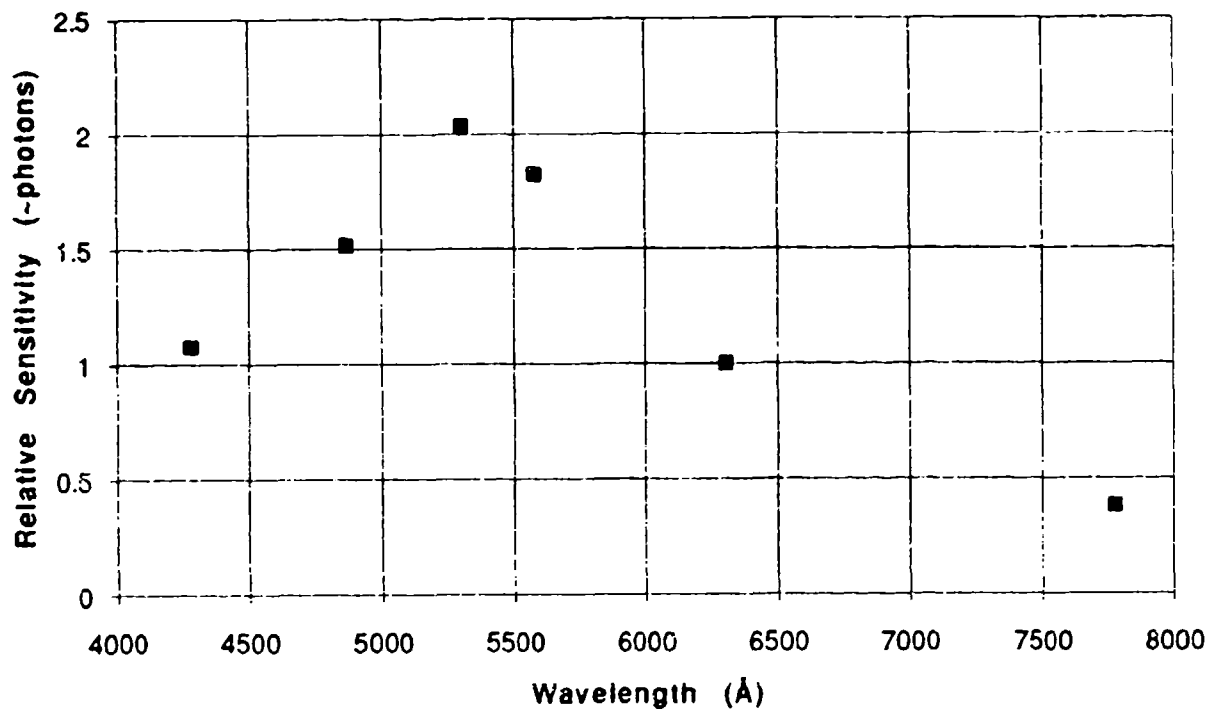


Figure 2.37 -- HAARP Imager Spectral Sensitivity

This sensitivity is a function of the image intensifier photocathode response and closely matches the curve for our S20ER photocathode. It should be noted that commercial response curves are usually presented in units of mA/Watt instead of photons. The above data can be scaled to these units by dividing the relative sensitivities by the wavelength. Figure 2.37 show the Imager's spectral sensitivity normalized to 6300Å in terms of photons detected at the CCD.

2.8 Temperature Calibration

The temperature monitoring circuits were calibrated for the HAARP imager 4/26/93. A detailed explanation of these circuits is given in Section 3.4.1. The results of the calibration are:

Set: $T_{REF} = 4.01\text{ V}$ $V_{DISPL} = 1.956\text{ V}$ $i_{RTD} = 2.00\text{ mA}$

CCD Measurements:

$V_{CCD}: -4.41\text{ V} + 4.01\text{ V} = -0.4\text{ V}$
 $PE0: .868\text{ V}$
 $T_{DISPL}: -27.8\text{ C}$

$G_{M7}: -2.17$
 $ADU_{CALC}: 44 \rightarrow -28\text{ C}$
 $RTD_{TBL}: 89.2\Omega \times 2\text{ mA} = .1784\text{ V}$
 $G_{101-CALC}: 24.7$

$T_{COMP}: -27.5\text{ C}$
 $ADU_{CALC}: 45$

TEC Measurements:

$V_{TEC}: -5.72\text{ V} + 4.01\text{ V} = -1.71\text{ V}$
 $PE1: 3.49\text{ V}$
 $T_{DISPL}: -39.4\text{ C}$

$G_{M7}: -2.04$
 $ADU_{CALC}: 179 \rightarrow 39.5\text{ C}$
 $RTD_{TBL}: 115.3\Omega \times 2\text{ mA} = .1784\text{ V}$
 $G_{101-CALC}: 24.8$

$T_{COMP}: 41.0\text{ C}$
 $ADU_{CALC}: 182$

INT Measurements:

$V_{INT}: -4.85 + 4.01\text{ V} = -0.84\text{ V}$
 $PE0: 1.714\text{ V}$
 $T_{DISPL}: -6.1\text{ C}$

$G_{M7}: -2.04$
 $ADU_{CALC}: 88 \rightarrow -6\text{ C}$
 $RTD_{TBL}: 97.65\Omega \times 2\text{ mA} = .1953\text{ V}$
 $G_{101-CALC}: 24.8$

$T_{COMP}: -5.5\text{ C}$
 $ADU_{CALC}: 87$

FILT Measurements:

$V_{FILT}: -5.41\text{ V} + 4.01\text{ V} = -1.40\text{ V}$
 $PE0: 2.804\text{ V}$
 $T_{DISPL}: 21.7\text{ C}$

$G_{M7}: -2.00$
 $ADU_{CALC}: 144 \rightarrow -22\text{ C}$
 $RTD_{TBL}: 108.5\Omega \times 2\text{ mA} = .217\text{ V}$
 $G_{101-CALC}: 24.9$

$T_{COMP}: 23.0\text{ C}$
 $ADU_{CALC}: 146$

$T_{REF-10}: 70.6\text{ F} \rightarrow 21.4\text{ C}$

Calibration of IN101A instrumentation amps on Control Panel:

<u>Intensifier</u>		<u>Filter Wheel</u>	
RTD _{MEAS} :	.1939 V / 2 mA = 96.95Ω	RTD _{MEAS} :	.2175 V / 2 mA = 108.75Ω
V ₁₀₁ :	4.85V	V ₁₀₁ :	5.45V
G ₁₀₁ :	25.01 (Actual Gain)	G ₁₀₁ :	25.06 (Actual Gain)

2.9 System Vignetting

As discussed in Section 2.5.5, a system flat-field was taken that accounts for all system non-uniformities and lens vignetting from the intensifier back to the CCD. The major source of vignetting for the imager is the front primary lenses. This vignetting is intrinsic to the lens design of these commercial lenses. The HAARP imager has two lenses: the fisheye and the 300mm lens. System vignetting with both these lenses was measured at maximum aperture by setting up a small light source and then scanning this source across the field-of-view of the image in both directions. This vignetting is intrinsic to the lens design of these commercial lenses.

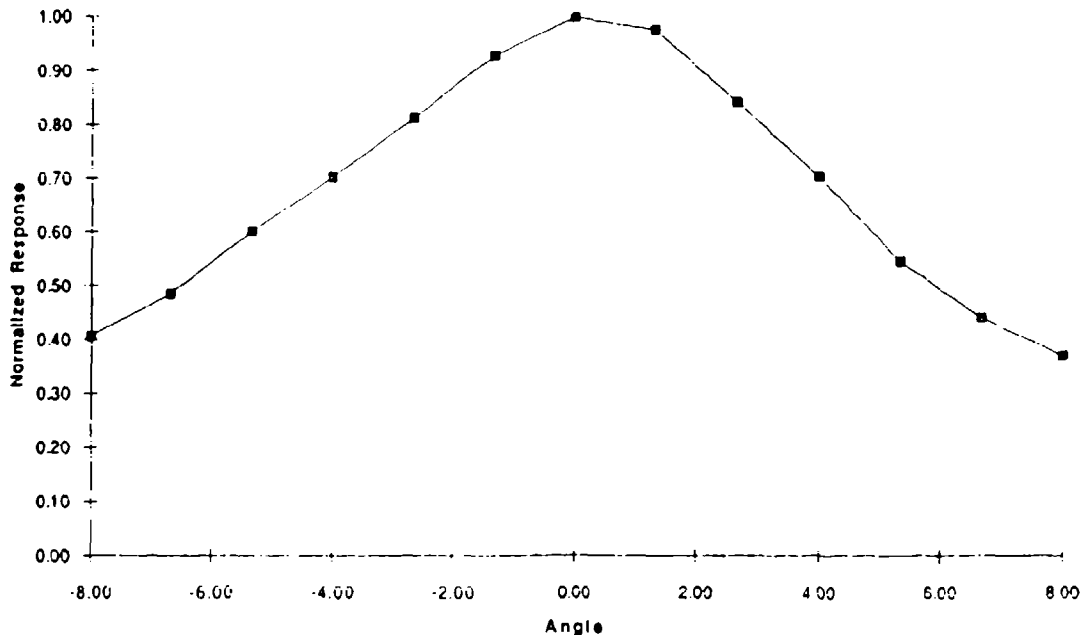


Figure 2.38 -- System Vignetting with 300mm Lens

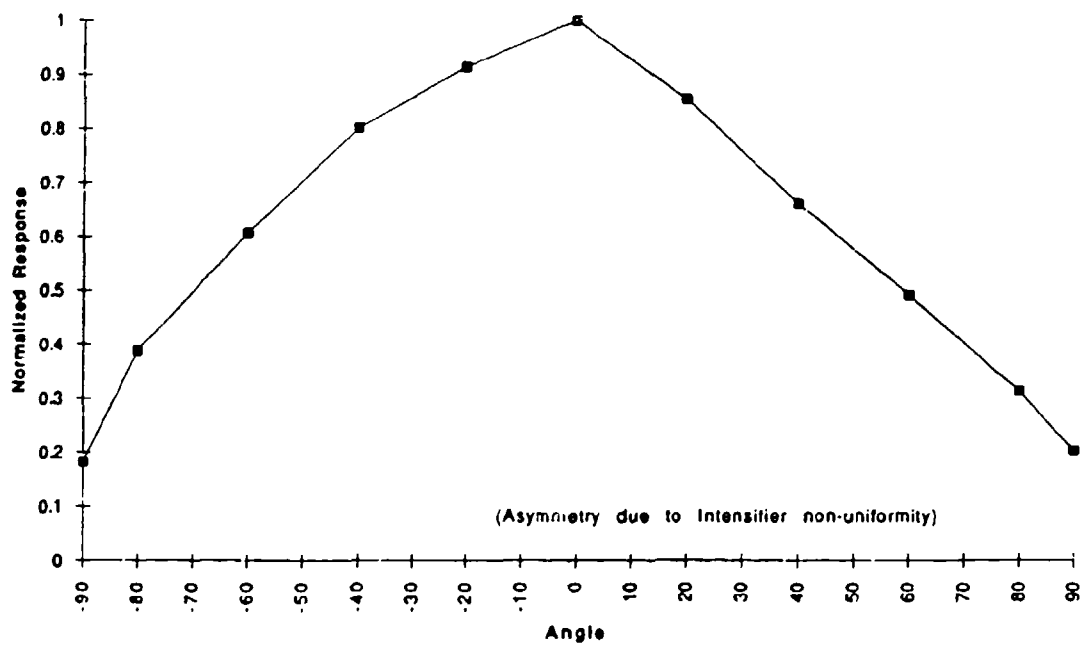


Figure 2.39 -- System Vignetting with Fisheye Lens

In addition the radial linearity of the fish-eye was measured:

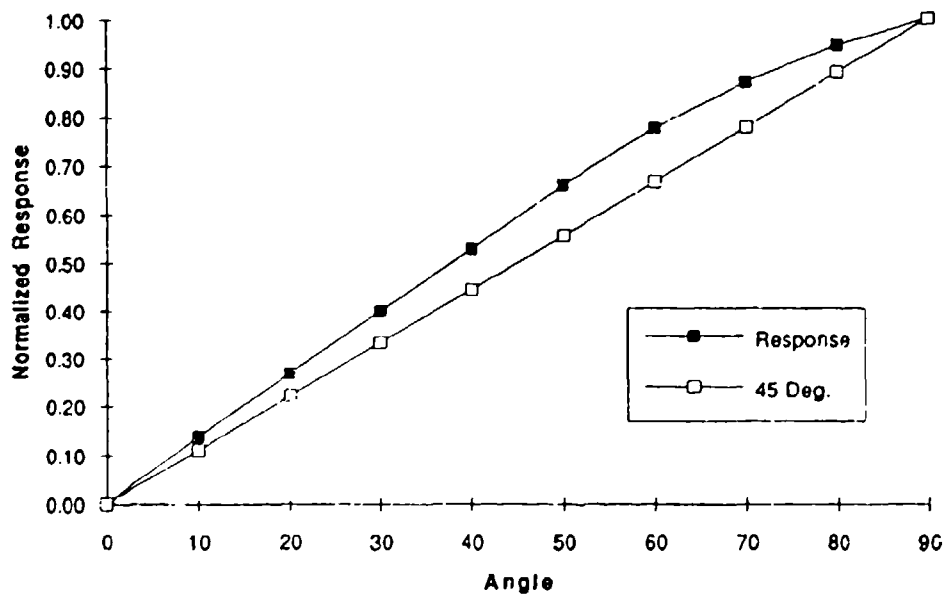


Figure 2.40 -- Radial Linearity of Fisheye lens

2.10 System Sensitivity

2.10.1 Theoretical case for a single photon

It is useful to understand the system gain in terms of a theoretical photon being detected at the photocathode of the image intensifier. The image intensifier gain is quoted at 90,000. This specification refers to a steady stream of photons at 2584K (Tungsten). Since the quantum efficiency of the photocathode is on the order of 10%, this means that each detected photon, must create on the order of 900,000 photons at the output of the tube. Correcting this for the response of photons at 5577Å, we get about 180,000 photons for every detected photon (or a fifth the number of photons from a Tungsten source spectral distribution).

As noted in Section 2.2, the relay optics has an efficiency of around 10%, so there are only 18,000 photons arriving at the CCD. Taking into account the quantum efficiency of the CCD (~30%), we have about 5500 electrons collected by the CCD. Because these photons will be spread over one to four pixels, we can predict single photon events as the CCD for the different gain settings, and intensifier gain settings:

<u>Int. Gain</u>	<u>Event (e-)</u>	<u>HI (ADU)</u>	<u>MID (ADU)</u>	<u>LO (ADU)</u>
	ADC Gain:	[25e-/ADU]	[49e-/ADU]	[91e-/ADU]
	Read Noise:	[24e-]	[39e-]	[63e-]
MAX	1375-5500	55 - 220	28 - 112	15 - 60
MIN	95 - 380	3 - 15	1 - 8	1 - 4
MINx2	190 - 760	7 - 30	3 - 15	2 - 8
MINx4	380 - 1520	15 - 60	7 - 31	4 - 16

We see that the coupling between the intensifier and the CCD is probably marginal to resolve single photon events for MINIMUM intensifier gain. Thus, for extremely sensitive images trying to resolve single photon events, the minimum coupling that should be used is:

Intensifier: MIN gain & CCD: HI gain

This confirms that LO gain should be used to extend the dynamic range of the ADC conversion and used for higher light levels. It should be noted that the above numbers are estimates for photons created at 5577Å, and that there would be less photoelectrons from photons at other wavelengths (see **Figure 2.37**).

2.10.2 Theoretical Sensitivity of the HAARP Imager

The following is a simple and quick calculation of expected sensitivity of the HAARP system:

Each image pixel at the CCD translates to an area at the filter; the image diameter at the filter of 3.5"(89mm) covers 512 CCD pixels, so the pixel size at the filter is

$$89/512 = 0.174\text{mm, giving a pixel area of } 3.0 \times 10^{-4} \text{ cm}^2$$

The F4.5 Pentax lens collects from a half-angle of 6.4° (0.112 radians), or a solid angle of

$$\pi \times [0.112]^2 = 3.9 \times 10^{-2} \text{ steradians}$$

1 Rayleigh (R) of source luminance corresponds to

$$10^6 / 4\pi = 7.96 \times 10^4 \text{ photon/cm}^2 \text{ sec ster}$$

If we assume a Quantum efficiency at the peak of the cathode spectral response of 12%, overall lens transmission of 70%, filter transmission of 70%, and assume that every cathode photoelectron event is amplified enough by the image intensifier to give a detectable CCD response, then the expected count rate/pixel at the CCD for 1 R input is

$$3.0 \times 10^{-4} \times 3.9 \times 10^{-2} \times 7.96 \times 10^4 \times 0.12 \times 0.70 \times .70$$

$$= 5.5 \times 10^{-2} \text{ counts / pixel-sec}$$

Thus, for every pixel to have 1 event during a 1 sec exposure, the required source luminance is about 18R.

2.10.3 Sensitivity Measurements

To take a specific example from our calibration, we go through this measurement for 4867Å. At this wavelength, the photocathode (S20ER) efficiency is about 9%, the filter transmission is .724. We now have a minimum source luminance of about

$$= 4.2 \times 10^{-2} \text{ counts / pixel-sec}$$

which gives about 24R for 1 event/pixel-sec. Using the KEO light source, we illuminate the the imager with 384R using the 4867Å filter. Images were taken with the Nikon camera lens stopped down to f11, giving a source of ~5R. Thus from the above estimation, we should see photon events in about 20% of the pixels covered by the source. If we take an image at f8, we would have a source of ~9R and would expect about 36% of the pixels filled. An image at f16 would give ~2.2R giving us about 9% of the pixels filled.

Carefully, looking at these images and using histograms, we can see that these numbers roughly agree.

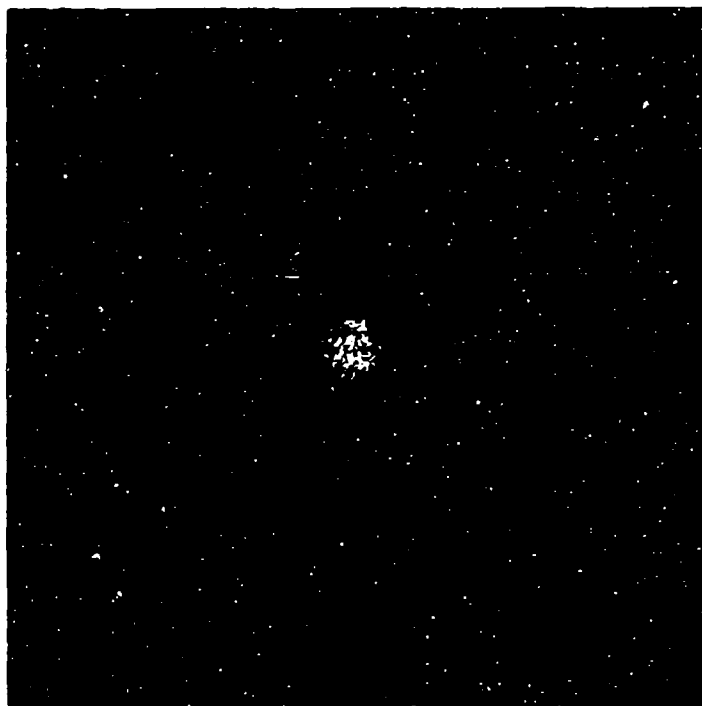


Figure 2.41 -- 4867Å filter, Int: 0, CCD: HI: Exp: 1 sec f4 35R-sec
[Stretched: Black = 22, White = 45]

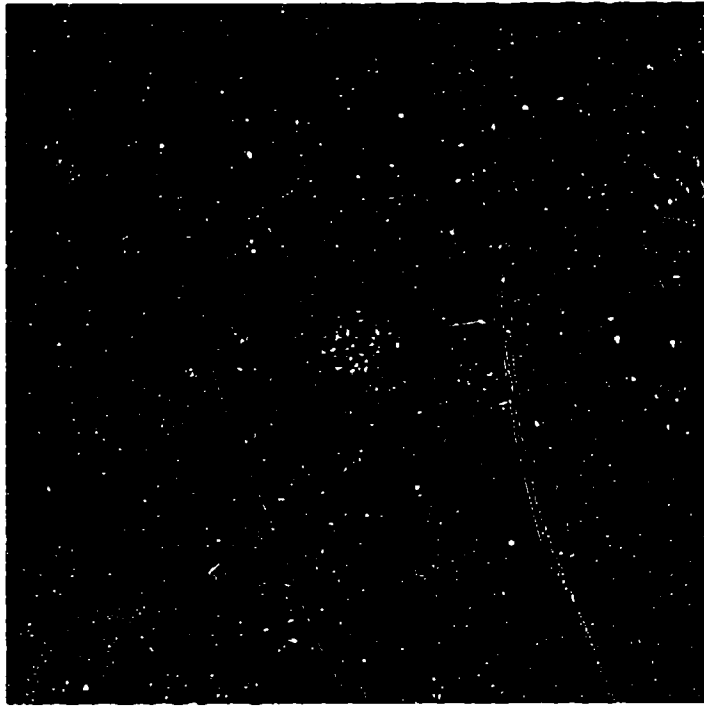


Figure 2.42 -- 4867Å filter, Int: 0, CCD: HI: Exp: 1 sec f8 9R-sec
[Stretched: Black = 23, White = 32]

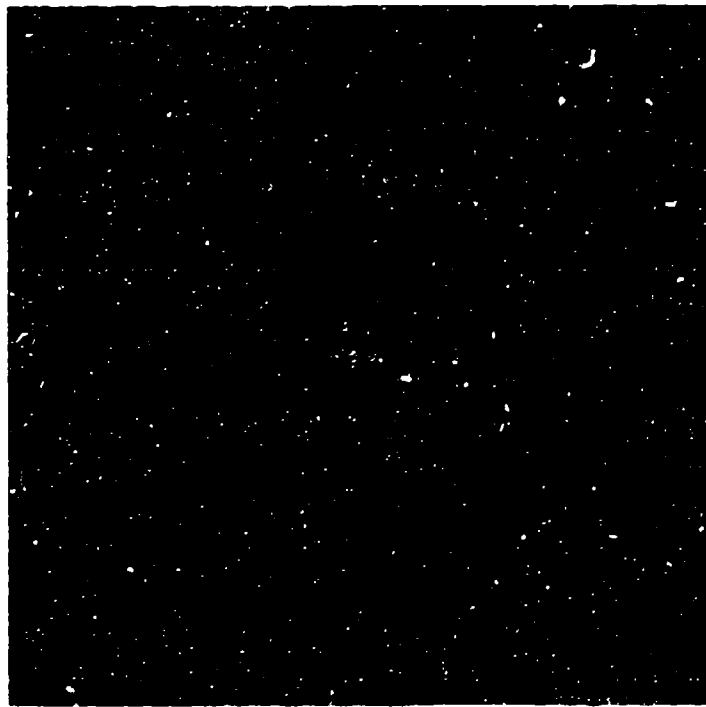


Figure 2.43 -- 4867Å filter, Int: 0, CCD: HI: Exp: 1 sec f11 5R-sec
[Stretched: Black = 23, White = 30]

Figure 2.41 shows the calibration setup for fairly good photon-statistics. A 35R source is integrated for 1 second giving a 35R-sec image. Note from Section 2.10.1, that a single 5577Å photon event with the coupling Int: 0 and CCD gain at HI will produce a signal of 3 - 15 ADU depending on how many pixels the resultant photons cover.

Figure 2.42 shows the sensitivity of the instrument at 9R-sec using a 1 second exposure. Enlarging the center of the image and carefully counting the pixels that have received some photons, reveals a percentage of pixels filled on the order of what was predicted for 9R-sec in Section 2.10.2.

Figure 2.43 shows the sensitivity of the instrument for 5R-sec using a 1 second exposure. This image again confirms the results of Section 2.10.2. Note that the intensity of each photon-event is the same as **Figure 2.42**, except that there are about 1/2 as many such events in the area of the source (on the order of ~20%).

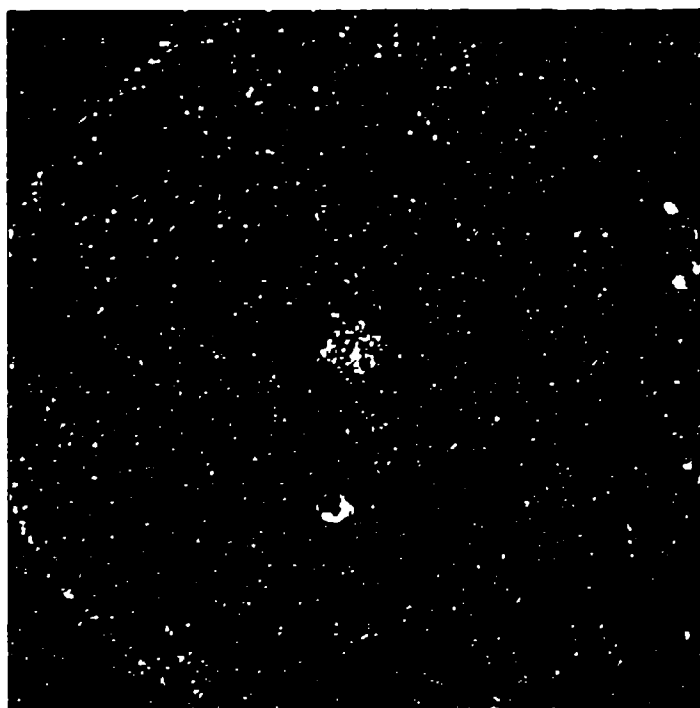


Figure 2.44 -- 4867Å filter, Int: 3, CCD: HI: Exp: 1 sec f11 5R-sec
[Stretched: Black = 23, White = 45]

Figure 2.44 demonstrates the increased coupling for single photon-events by increasing the intensifier gain by a factor of 14. From Section 2.10.1, we would expect each

detected 5577Å photon to give a signal of around 55 to 220 ADUs. Comparing this image to **Figure 2.43**, we can see that the increased coupling does increase the number of pixels filled in the source area of the image.

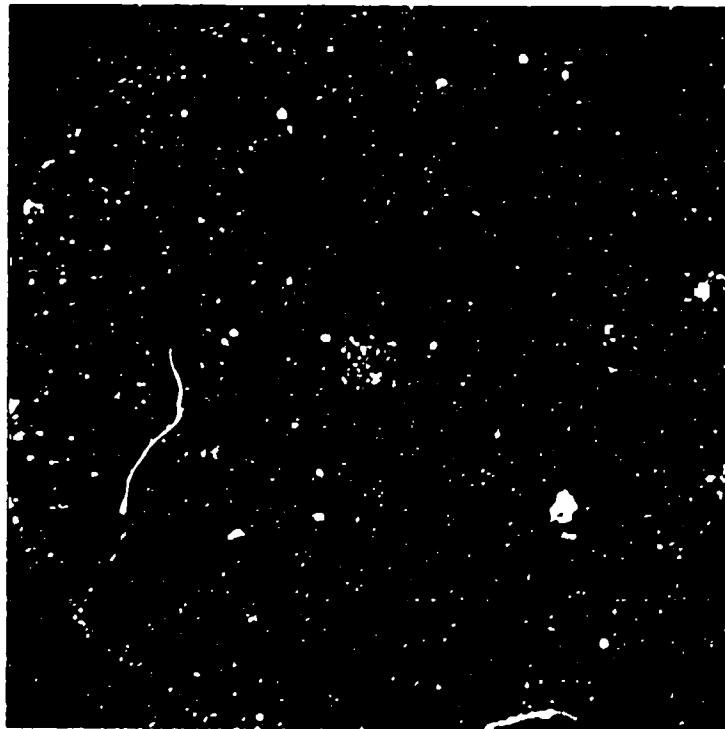


Figure 2.45 -- 4867Å filter, Int: 3, CCD: HI: Exp: 1 sec f16 2R-sec
[Stretched: Black = 23, White = 45]

Figure 2.45 is a 2R-sec image taken with a 1 second exposure. Again, the results of this image agree with the analysis in Section 2.10.2 that roughly 10% of the pixels should be filled with photon-events

A 5R-sec image was taken with the intensifier gain on minimum and the CCD gain at LO in which the source was questionably detectable. As discussed in Section 2.10.1, the photon-event coupling is weak in this gain setup, and thus decreases the *perceived* sensitivity of the instrument. The fact that a 5R-sec was not really detectable at LO Gain, but easily seen at HI Gain confirms the decreased coupling. For situations where there are very low photon counts, the CCD should be used at HI gain.

Similar images were taken for the other filters on the HAARP imager to check sensitivity across the spectrum.

2.10.4 Sensitivity for the HAARP Imager

Quoting sensitivities is always a little bit of a tricky issue. One can define sensitivity in many ways. Typically, KEO has tried to determine the minimum source illumination that is required to visually detect the source object in the image.

Even this signal to noise is fairly subjective. For this low intensifier gain image, statistics of a box inside the source area yields an average pixel value of 22.84. With the light source off, the average pixel value is 20.79 with a Bias average of 19.8. Looking at the statistics of the same source with the intensifier at maximum, we get an average pixel intensity of 50.63, with the background averaging 22.50. This says we have a much better signal to noise, but actually it only looks better because each photon creates a much higher pixel event at maximum gain.

From the above analysis, it appears that the most significant measure of sensitivity is probably what percentage of pixels get filled in the image. From the analysis in Section 2.10.2, we see that a 5R source at 4867Å, should fill about 20% of the pixels. Figure 2.44 confirms this result and points out that it is fairly easy to visually detect a source in this situation. However, even at 2R (or 9% of pixels filled) in Figure 2.45 we can see that the source is detectable, hence the subjectivity.

The minimum sensitivity should be a function of the photocathode response, and it was measured for the HAARP imager at the following wavelengths and estimated at:

<u>Wavelength</u>	<u>~10% events</u>	<u>~20% events</u>
4282	4 R-sec	8 R-sec
4867	2.5 R-sec	5 R-sec
5300	2.5 R-sec	5 R-sec
5581	2.5 R-sec	5 R-sec
6304	4 R-sec	9 R-sec
7778	8 R-sec	16 R-sec

Chapter 3 Hardware

3.1 Overview

The HAARP Imager viewed as a black box is a very basic instrument. There is an AC power input, and just one cable that connects the instrument to a computer. This cable consists of two components - communications and data. The communications port is an RS-422 port set up for 9600 Baud, 8 Bits, 1 Stop Bit, and No Parity. Thus, to any connecting device, the camera looks like a terminal running the FORTH environment and can be treated as such. The data component of the cable has all the data lines and control lines necessary to transfer data to a 12 bit digital input frame grabber board. In our case this frame grabber is Imaging Technology's AFG board. The data signals are:

D0+/D0- through D11+/D11-	; Differential data lines
Pixel Clock+/Pixel Clock-	; Pixel Clock
Line Enable+/Line Enable-	; Line Enable
Frame Enable+/Frame Enable-	; Frame Enable

The HAARP Imager can be thought of as a standard terminal, and a somewhat generalized image data port. In theory, the imager can be controlled by any computer and a wide array of image processing boards. There are presently about 4 or 5 different compatible boards for the IBM PC architecture, as well as boards available for the MacIntosh and VME based systems.

3.2 CCD Camera Control System

The CCD camera head was custom designed and built for KEO by Advanced Technologies (Tucson, AZ). The HAARP control electronics and software were developed by KEO to meet the specifications of our HAARP design proposal and integrated with the Advanced Technologies system. The core of the Advanced Technology design is a 4-board/motherboard located inside the imager (see Block Diagram, Figure 3.1). The HAARP hardware system is similar to the MIP camera developed by KEO Consultants for Phillip's Lab Ionospheric Applications Branch (PL/GPIA).

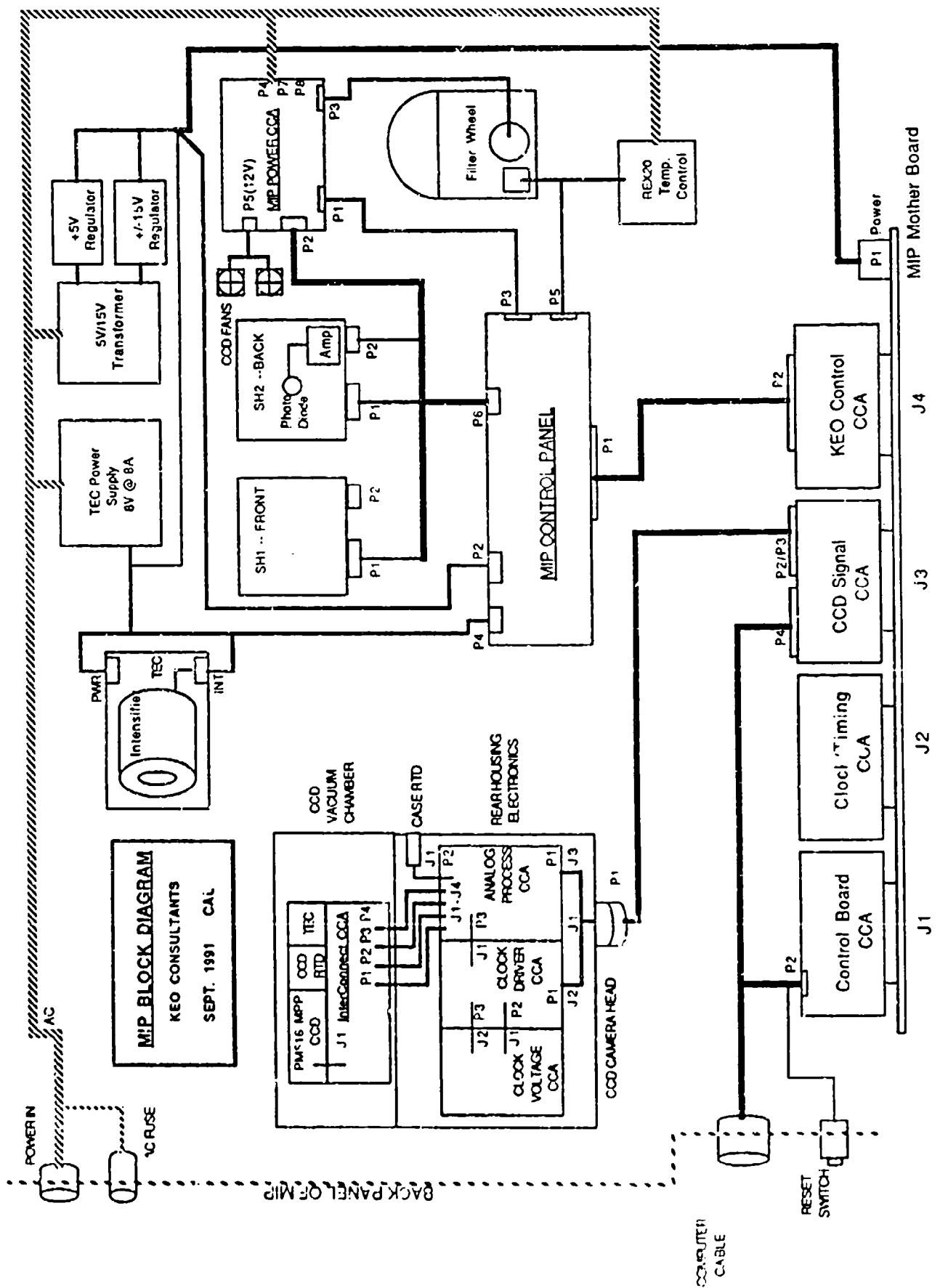


Figure 3.1 HAARP Imager Hardware Block Diagram

The control board consists of the system's processing units. A 68HC11 embedded processor is used as the control computer for the system (Figure 3.2). The 68HC11 handles all the communication to the outside world and all control units inside the HAARP camera. The 68HC11 talks directly to the host computer via a serial interface. It monitors temperatures and other analog parameters via its 8 channel 8-bit ADC. Using its multiplexed parallel inputs, the 68HC11, talks to the DSP 56001 on the Advanced Technologies control board, and in addition talks to the KEO Interface control board which controls the imager's filter wheel, intensifier and shutters. The DSP chip controls

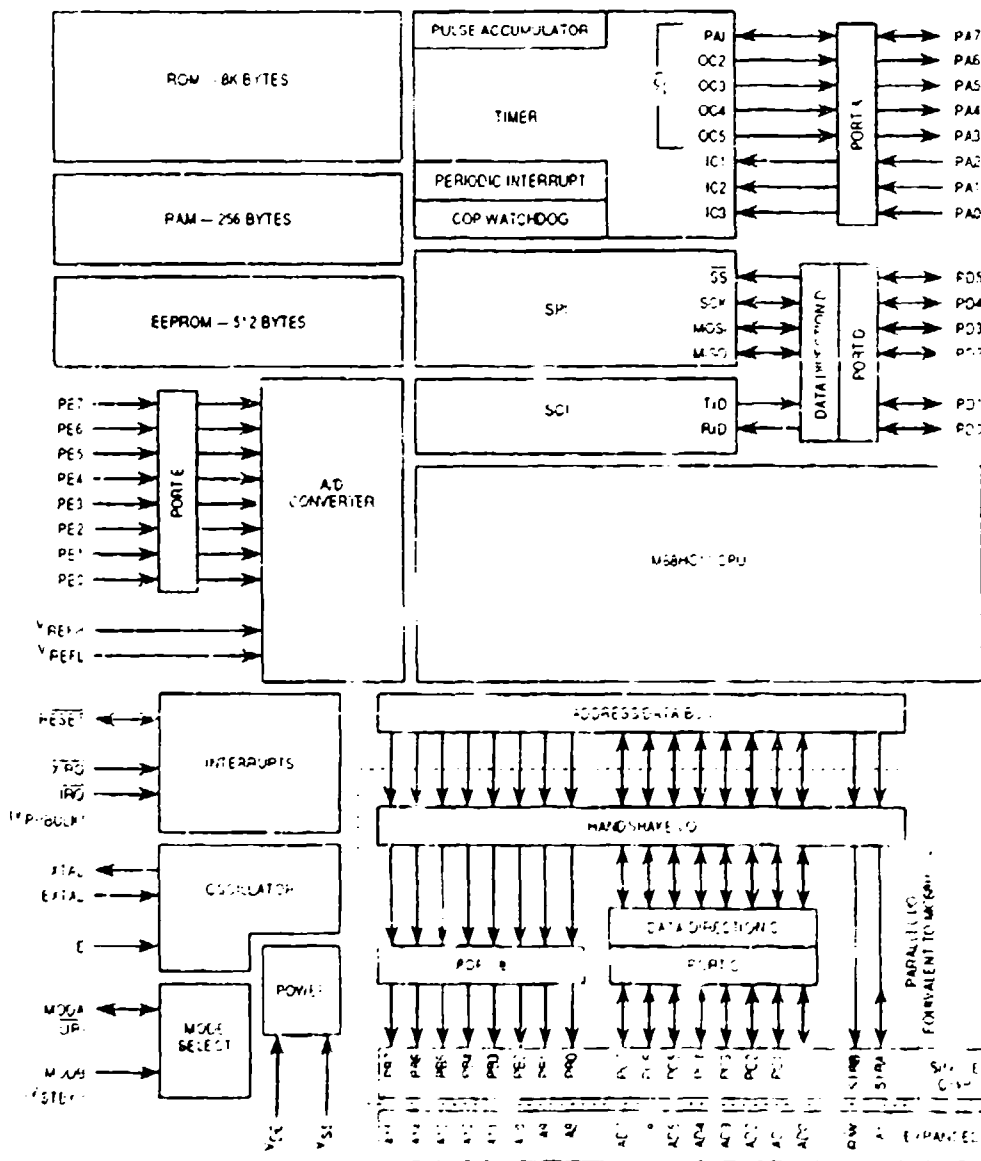


Figure 3.2 68HC11 Architecture

all timing states and control signals for the CCD camera head. These signals are used on the Clock/Timing board and then sent to the Signal board where they are sent out to the CCD camera head. The Signal board also takes the imaging data and control lines described above, and sends them out to the host frame grabber.

3.3 CCD Camera Head

The Advanced Technologies CCD camera head consists of two sections. The back part of the unit contains all the analog and interface electronics for the CCD. The front part of the unit is an evacuated chamber containing the CCD chip and the thermoelectric cooling head (TEC). The warm side of the TEC is coupled to the body of the unit and is cooled both convectively (the back section) and with forced air (two small fans in the front section). The TEC can normally produce a temperature differential of about 65°C.

The back part of the CCD camera head should not be opened or serviced except by qualified personnel. The front section should NEVER be opened. The CCD is extremely sensitive to static and is a very expensive device. The vacuum in the front section is extremely important for the operation of the head both to eliminate condensation on the CCD chip and for temperature insulation. If this vacuum is lost and air is let in, the CCD will frost up with ice and become unusable. **Opening the front section will void all Advanced Technology warranties.**

The CCD head electronics are critically set for optimum noise reduction. There are many critical voltages set that are tailored to our particular CCD and any tampering with these voltages will result in degradation in performance of the CCD. The electronics should NEVER be disconnected from the CCD Interconnect Circuit Card Assembly (CCA) except by the most skilled engineer and under very controlled environmental conditions.

There are many test points on these electronics cards with which you can check the operation of the camera head. It is suggested, however, that if there is a problem, the CCD head be returned to Advanced Technologies for servicing.

3.4 The CCD Chip

The HAARP Imager uses a Photometrics PM516A CCD. This chip has a 516x516 array of 20µm pixels of which 512x512 are captured by the frame grabber. The well depth of the pixels is about 215,000 electrons. The PM516 is set up to operate in MPP mode which is a CCD configuration that allows a 30 times reduction in dark noise. This is attained by using a boron implant that creates an intrinsic voltage in the wells to reduce dark noise buildup. Specific performance of the CCD chip can be found in Section 2.1.

3.5 KEO Control System

The KEO control system uses the main processor, the 68HC11 of the Advanced Technologies system, to control all operations of the HAARP camera. The control components are:

- Shutter 1 (front)
- Shutter 2 (back)
- Image Intensifier
- Filter Wheel
- Temperature Monitoring
- Intensifier Average Brightness (detector located in Shutter 2)

All these components are controlled via software in the FORTH environment and executed by commands from the host computer. The 68HC11 then passes on the appropriate command signals to the KEO Interface control card, which is the fourth card on the motherboard.

3.6 KEO Control Interface Card

The Interface card is arranged in two sections: analog and digital control. The analog section consists of five analog amplifiers monitoring the following:

- CCD temperature
- TEC temperature
- Intensifier brightness
- Filter Wheel temperature
- Intensifier temperature

These voltages are scaled to 0-5V and are always present to the analog digital converter (ADC) inputs of the 68HC11 (PortE). A detailed description of the temperature amplifiers will follow. The analog section also supplies a 2 mA constant current source (OP37) for the four RTD sensors. The sensors are connected in series and hence **any break in the circuit will result in none of the RTD's working**. There are three jumpers on both the Interface board and the control panel CCA to bypass selected RTD's and isolate different circuits. The analog section also creates two reference voltages to scale the temperature voltages.

The digital section of the board consists mainly of controls for the filter wheel and the image intensifier. There is an address decoding generic array logic device, GAL (U15), which interfaces the board to the 68HC11. The image intensifier circuit selects from either computer control or manual control one of four 50K variable resistors (VR5-VR7) used by the image intensifier to set the HV gain of the tube.

The filter wheel control consists of an embedded stepper-motor controller chip (U8) which contains an EEPROM (U17) with the control program. There are interface electronics which select 3 bit commands either from the 68HC11 or manually from the control panel to select the filter wheel position. An EPROM (U7) constantly monitors the state of both this command input and the filter wheel position and when there is a difference issues the appropriate movement command to the CY545 controller (U8) which then steps the filter wheel into the new position.

Presently, the EEPROM program just stops if there is a problem with the position or the command location. The logic behind this is that if there is a problem in either of the systems, we do not want the controller to endlessly try and position the stepper motor and perhaps result in a catastrophic failure. [We could add a control line from the 68HC11 that can position the filter wheel. This would give an independent, host-controlled system to control the filter wheel in the event of some failure in the interface electronics.] There is a reset switch for the CY545 Stepper Motor controller located on the Interface Board.

The Interface Board is delivered with the following jumper settings:

J1 -- OUT	; Control Panel RTD Excitation Current Bypass
J2 -- IN	; RTD Excitation Current Source
J3 -- OUT	; CCD Head RTD Excitation Current Eypass
J4 -- IN	; Analog and Digital Ground Common Point

3.7 Control Panel

The control panel, which is accessible from the outside via a magnetically closed panel cover, contains the filter wheel temperature controller, and all the electronics to manually control the shutters, the image intensifier, the filter wheel. All the power supplies and system temperatures can be monitored on the control panel. In addition, there is an opto-isolated, voltage shifting interface which sends the shutter and stepper motor control signals to the KEO Power I/O board. This interface isolates any power supply noise of the shutters and stepper motors from the analog voltages which are used in the CCD camera head (and are very noise sensitive).

3.8 Power I/O board

The Power I/O board has the shutter drivers, the stepper motor drivers, and a 12V supply for the CCD cooling fans. Both the HAARP and the MIP Imagers have been upgraded to use the Power I/O Rev.A Board. There are five fuses on the circuit board to protect the input transformer (AC), each of the shutter coils (32V peak, 4V holding) and stepper motor coils (24V unregulated). During parked modes for the filter wheel, the coils are turned off via the Stop interface signal and the intrinsic friction of the motor and gears is used to hold the FW in place. This saves on heat/power dissipation of both the driver (UCN5804B) and the stepper motor coils (each 24V @ 1A or 48W).

The RevA version of the Power I/O board has diodes between the UCN5804B and the StepperMotor. This was necessitated by a change in the manufactured configuration of the UCN5804B. In addition, dropping resistors were inserted between the shutter and the shutter supply to allow for different shutter coil resistances (i.e. switching from UniBlitz shutters to Melles-Griot).

3.9 Filter Wheel

The HAARP filter wheel has three basic components: stepper motor, position monitoring, and temperature control. The stepper motor connects directly to the Power I/O board. The HAARP Imager has been set up using the stepper motor on the filterwheel in half-step mode, which increases resolution and results in much smoother operation. This modification directly pulled pin 10 of the UCN5804B on the PowerI/O board up to Vcc (or pin 16).

The position monitoring electronics involves four transmission switches. These are connected to the control panel and then to the KEO Interface Control Card. There are three position switches which give a 3 bit position code: 1-5. The fourth transmission switch gives a pulse for every filter position and is used to clock the position code into D-flip-flops and subsequently into the command EPROM. In addition, there is an RTD used to monitor the FW temperature. This signal returns to the Control Panel CCA where an instrumentation amplifier (U13) amplifies it and sends it to the KEO Interface Control CCA.

On the front of the filter wheel is a connector that has a mating photoconductive cell. This is used to inhibit the image intensifier power supply from switching on in the event of too much ambient light. The sensitivity of this light detector can be set by adjusting the 1M pot on the KEO Control Panel CCA (VR1)

The temperature control consists of a REX C100 temperature control unit and is independent of the KEO interface electronics. An RTD is connected in the three wire configuration, and the outputs of the REX C100 connect to an SSR inside the Imager chassis and subsequently to an AC heater pad glued to the inside of the filter wheel. For operation of the REX C100, see the REX C100 user's manual.

3.10 Image Intensifier Control

The image intensifier is housed inside a thermo-electrically cooled housing that cools only the input cathode to about 25°C below ambient, thus reducing image intensifier dark current by a factor of about 10-15. There are gas connection fittings on the side of the image intensifier cooler to flush the input window and image intensifier fiber optics input with dry N₂ in case of condensation in humid environments.

Note: Due to a fabrication error by Products for Research, the connectors to the HAARP Intensifier Cooler are different than the MIP Intensifier Cooler. Because of this, the two coolers are NOT directly interchangeable.

Power to the TEC comes from a Photometrics unregulated TEC supply. RTD connections are routed into the power cable on the intensifier housing labelled PWR and connect to the KEO Control Panel CCA where an instrumentation amplifier (U14) amplifies its signal and sends it to the KEO Interface Control CCA. The image intensifier is a 25mm GenII VARO tube and connects to the KEO Control Panel CCA via the housing connector labelled INT.

The intensifier cable has the standard 4 wires to connect to an image intensifier - Power, Gnd, and two gain connections. The intensifier has 4 gain settings, 0-3, which can be controlled either by the computer or via the manual controls at the HAARP Imager. The power is supplied by a 3V supply on the KEO Control Panel board and the ground returns through a 5 Ohm resistor which monitors the actual current through the intensifier and activates an LED on the control panel. (An improvement would be to connect this to a TTL status signal to the host via the 68HC11 interface.) The gain signals return to the KEO Interface Control CCA and goes through the currently selected 50K potentiometer.

3.11 Shutters

There are two shutters in the HAARP system. Shutter 1 is defined as the front shutter, closest to the filter wheel, and blocks light to the front of the image intensifier. Shutter 2 is defined as the shutter closest to the CCD head and blocks light to the CCD. The shutters can be controlled either by the computer or manually. The shutters are each fused with a 1A SB fuse to protect the shutter coil. These fuses are located on the Power I/O board in the Imager.

The shutters used in the HAARP Imager are Melles-Griot #04-IES005 shutters, and are at a location in the optical path so as to minimize exposure spatial non-uniformity resulting from the finite shutter speed. Each shutter has two connectors: one for the solenoid and micro-switch, and one for a photo-diode amplifier board. Only the back shutter (Shutter2) has a photodiode amplifier connected. This is used to measure the luminance of the intensifier phosphor.

The Melles-Griot shutter control uses a 6V Relay to open and close its blades. The shutter is specified at ~4x opening voltage and 1/2x holding voltage. The KEO PowerI/O board creates a 32V (unregulated) 80 msec pulse using a timer (U1) and the UCN2944 Supply side driver (U2). The holding current is supplied by the LM317 voltage regulator and is set for around 5.5V, giving a holding current of about 3.5V after the Darlington and diode voltage drops in the electronics.

On the Power I/O board Rev.A, there are also dropping resistors between the supply and the shutters giving an additional voltage drop to the shutter. The HAARP Imager has 3.0Ω dropping resistors which bring the final starting pulse voltage from 24V to 16V and the holding voltage from 3.5V to 2.4V. (This drop from the original specs of the Power I/O board is needed because we changed from the UniBlitz shutter which had a 12.5Ω coil to the Melles-Griot which uses a 7Ω coil.)

A micro-switch is mounted inside the shutter so that it closes when the shutter blades are fully open. This shorts to ground a circuit on the KEO Control Panel CCA which puts out a TTL signal and also controls an LED display on the control panel. Thus there is visual feedback as to whether the shutter is open, and a TTL signal which is returned to the 68HC11 processor and can be read by the Host for a shutter status indication.

The photodiode output is amplified by an AD515 amplifier which must be located very near the photodiode because of the low currents being measured (pA). The photodiode was selected for its relatively fast response and fast dark decay time. The output of the AD515 is returned to the KEO Interface Control CCA via the KEO Control Panel CCA and is amplified with variable gain (VR4 on U9) and sent to the ADC port of the 68HC11 (PE4). This variable resistor is set so that 5V corresponds to the image intensifier operating in AGC mode. Reading this photodiode gives the Host a measure of the average luminance of the image intensifier phosphor and from this analog information it can then be decided what exposure and/or gain is most appropriate for the next image acquisition. It also allows the Host confirm that the intensifier is not operating in the AGC mode where intensifier output is no longer linear with light input.

Keeping Shutter 1 closed during the exposure allows the Host to obtain a dark image that includes both the dark noise of the CCD and the image intensifier. During a normal exposure, the front shutter is opened first and checked. The Intensifier brightness

is then checked to make sure that it is operating in its linear region. Finally, the back shutter is opened, checked and the exposure interval begins. At the end of the exposure interval, both shutters close simultaneously and are checked.

3.12 Power Supplies

AC power for the HAARP Imager is supplied to four separate transformers:

- (1) REX C100 power supply
- (2) 5V, +/-15V power supply transformer
- (3) TEC Unregulated power supply
- (4) KEO Power/I/O CCA power supply

(1) The REX C100 is fused with a 1A SB fuse. Its power consumption is only 15VA but AC to the REX C100 also supplies the Filter Wheel heaters.

(2) The 5V, +/-15V power supply transformer is taken from a PowerOne power supply and is rated at 5V @3A, +/-15V @1A. The transformer is fused with a 1A SB fuse. The 5V regulator is mounted vertically inside the HAARP chassis and the +/-15V regulator board is mounted in the box on top of the chassis with the regulators heat sunked directly into the HAARP chassis from the inside.

(3) The TEC's in the HAARP are powered by a Photometrics unregulated power supply and fused at 1A SB. To handle both TEC's, the input coils of the transformer are connected in parallel to increase the current capacity of the power supply. The image intensifier TEC and the CCD TEC together draw about 8A at around 7.5VDC. They are connected in parallel to the output of the power supply.

(4) The KEO Power I/O CCA has a 20VAC 56VA transformer and is fused on the circuit board with a 1A SB fuse. When drawing no current, the DC unregulated power supply charges up to about 32-35VDC. This is used as a starting pulse for the shutters. The stepper motor draws 1A per phase. At 2A, the unregulated power supply puts out 24VDC (which is the voltage specified for the motor). There are also two LM317 voltage regulators. U4 is set to 5.75V and is used for the CMOS logic supply and shutter holding voltage. The shutter coils are 7 Ohms, so at 2.4V they each draw 340mA. R10, R11A & R11B are used reduce the input voltage from 32VDC so that the LM317

doesn't dissipate as much heat. U5 is set to 12V and is used to power two DC fans (.1A each) connected in parallel, and used to cool the CCD head.

3.13 Back Panel

The back panel has two connectors: AC and Computer Interface. The AC plugs into any 110-120VAC outlet. The Computer Interface connector contains all the signals for the RS-422 communications, as well as the 12 bit digital image and clocking signals. All signals on this cable are differential which allows longer transmission distances and noise immunity. The main power fuse for the HAARP Imager (2A SB) is located on the back panel. A power on/off switch is also located on the back panel.

A recessed red button is located by the Interface connector. This is the reset button for the 68HC11 processor inside the HAARP. Pushing this will reset all the electronics and bring the instrument up in it's initial state. Some of the electronics that are independent to the processor will not be reset by this button, and you may need to actually turn off/on to achieve a full reset.

3.14 Temperature Monitoring Equations

The KEO Interface Control CCA provides a 2mA excitation current for the RTDs. The 8 bit ADC (0 to 5V) gives 256 steps. If the resolution is 0.5°C, then the range is 128°C.

Temperature Range: -50°C to 78°C
DIN RTD curves: $R(-50^{\circ}\text{C})=80.3\Omega$ $R(78^{\circ}\text{C})=130.1\Omega$

0 to 5 Volts/128C = 38 mV/°C.

With 2mA excitation: $V(-50^{\circ}\text{C}) = .161$ Volts, $V(78^{\circ}\text{C}) = .26$ Volts
 $V(78^{\circ}\text{C}) - V(-50^{\circ}\text{C}) = 99$ mV.

Set overall system gain to 50. LF347 Gain = 2, 1N101A Gain = 25
Gain of 1N101A = $1 + 40K/R_g$: $R_g = 1.67K\Omega$

$V_{ref} = .16$ Volts $\times 25 = 4.02$ Volts Offset for LF347 to scale -4.02 V to 0 Volts

To display the temperature on the HAARP Control Panel, an ACCULEX DP350 DVM is used. The inputs to the 68HC11 ADC are scaled $10\text{mV}/^\circ\text{C}$ to read degrees centigrade. So $-50^\circ\text{C} = 500\text{mV}$ or 0.5V . The decimal point of the meter is shifted right two places so the meter actually displays degrees Celsius.

$0 - 5 \text{ VDC} = -.5\text{V to } +.78\text{V}$ Gain = .256

An LF347 (U6) on the Control Panel CCA with $R2/R1 = 5.11\text{K}\Omega/20\text{K}\Omega = .255$

An offset voltage is needed to scale 0V down to $-.5\text{Volts}$:

$.5/.2555 = 1.96\text{V}$ LF347 (U9) on Interface CCA using VR1 to set offset.

Chapter 4 Image Processing System

The HAARP Imager runs on an IBM AT system under the Windows 3.1 Operating System. The casual user should not have to know any details of how the camera works, so this section will mainly focus on the computer and image processing systems.

Since the HAARP software runs under Windows 3.1, it is fairly user-friendly. The operator should be able to become proficient in the basic operations without a detailed knowledge of the system software. However, it is suggested that to obtain maximum use out of this powerful system, the interested user should become familiar with the following systems:

<u>Computer System</u>	<u>Suggested Reading</u>
DOS 5.0	<i>MS-DOS Reference Manual</i>
Windows 3.1	<i>Windows 3.1 Reference Manual</i>
ITI Adv. Frame Grabber	<i>ITI AFG Software/Hardware manual</i> <i>ITEX V2.2-2 Release Notes</i>

<u>Camera System</u>	<u>Suggested Reading</u>
HAARP Camera	<i>HAARP Hardware Reference Manual</i>
MaxFORTH	<i>MaxFORTH User Manual</i>
68HC11	<i>Motorola 68HC11 User Manual</i>
DSP56001	<i>DSP56001 User's Manual</i>

4.1 Overview:

The HAARP Imager can be thought of as composed of two separate components: the camera, and the image processing system. The camera is controlled by the image processing system through a control program called:

MIPCTL

It is also possible to control the camera with any communications program if the communications protocol is set as follows:

9600 Baud 8 Bits 1 Stop Bit No Parity

The camera has an RS-422 serial port which is connected to a serial board in the computer to COM4. The printer port is set up for COM2. Both these ports are labelled on the back of the computer.

The image processing system is centered around hardware called the Advanced Frame Grabber (AFG) made by Imaging Technology. This is a two board set with a daughter board that resides inside the IBM AT computer. This board is controlled through the program MIPCTL, and it can also be controlled manually through the ITEX Interpreter (INTRP) supplied with the board. The camera can thus be controlled by using both a communications program and INTRP in tandem. This can be useful in developing new algorithms, or in being able to take data in a way that the MIPCTL does not support.

The control program MIPCTL sets up the communications with the camera and enables the user to control all the basic features of the camera. In addition, this program gives a set of commands for the AFG board and data acquisition and analysis functions. The MIPCTL program is viewed as an evolutionary program, and it is expected that it will be developed further to add extended functionality as dictated by experience and field use situations.

4.2 IBM AT Image Processing Hardware:

The HAARP Image Processing System is based upon an IBM 486 processor. A Gateways2000 486DX2/50MHz machine is used, but any AT system with a 386 or greater would be satisfactory. The following is a brief description of the AT's hardware configuration.

Floppy Disks:

Both a 3.5" and 5.25" floppy disk are mounted in the system. The HAARP IP System uses a dual 1/2 space 3.5"/5.25" TEAC floppy drive FD-505 supplied by JDR Microdevices configured for the default operation A: 1.2MB and B: 1.4MB.

650MB Read/Write Optical Disk:

A RICOH Magneto-Optical Drive RO-5031E (SN: K9101148) with a SCSI interface is mounted internally. This is fully compatible with the ASIPII Optical Disk system and the MIP Optical Disk System on other Air Force GL imagers which both use the SONY M/O drive. Because of the increased rotational speed of the RICOH drive, it is recommended by RICOH that only SONY media be used with this drive (EDM-1DAOs: 1024Bytes/sector, 650MB optical disks). The RICOH drive is unterminated as there is also a hard-drive connected to the SCSI port in the HAARP IP System.

An APT Odessa SCSI interface board (SC1000) is used to interface the optical disk to the AT. This is fully DOS compatible and can be used as any other drive in the system. The SC1000 is installed using IRQ10 and memory address segment D600:0000. The Odessa system comes with drivers MOD.SYS and MOD.EXE. The HAARP Imager has v1.26 installed. The switch option /4 should be used when running MOD.EXE which utilizes the smaller cluster sizes (8192) of DOS4.01 and greater. M.BAT assures that this switch is used.

A 650MB MO disk can hold about 2400 2x2 binned images per side (1/8MB per image) or about 600 1x1 binned images per side (1/2MB per image). On the HAARP computer system, the MO drive is set up to start partitions at drive E:

766MB SCSI Hard Drive:

An additional hard drive was installed into the HAARP imager to allow for rapid image processing of large data sets. The 766MB hard drive has enough room to store two sides of an M/O disk (or one side of raw data and it's associated transformed images). This disk was also installed to assure backup in the event of the IDE Hard Drive or the RICOH MO drive failing. Another use for this drive is to collect large amounts of data quickly when the write-time of the RICOH MO drive is too long to take 'real-time' data. After the data has been taken on the SCSI hard drive, it can be backed up onto the MO disk when time is not critical.

A Seagate WREN 6 SCSI drive (ST4766N) was chosen for the HAARP imager and installed internally in series with the RICOH MO disk. This disk is terminated as it is the last drive in the SCSI chain. The ST4766N is a full-height disk drive.

This drive can hold about 5800 2x2 binned images (1/8MB per image) or about 1450 1x1 binned images (1/2MB per image).

200 MB IDE Hard Drive and I/O Ports:

A 200 MB Hard Drive is mounted internally in the system with an IDE controller (DFI IDEIO). This controller also has provisions for the parallel interface brought out to the back of the computer and two serial interfaces set up as COM1 and COM2. COM1 is currently set up for a serial Microsoft Mouse, and COM2 is accessible for peripherals such as a serial printer.

RS-422 Serial Interface Board:

A B&B Electronics 3PXCC1A 1PORT RS-422 Board is used to interface to the HAARP Imager. This board was chosen because it allows the selection of any available I/O address for the COM address rather than the standard COM port addresses. In addition, it allows selection of IRQ's up to IRQ15. This flexibility is needed in the HAARP IP System because the VGA board supplied in the Gateways 486 (ATI Ultra) uses the COM4 I/O address for it's own purposes.

The 3PXCC1A was installed using COM4 @ IRQ11, and the I/O address 0x310. The COM4 settings must reflect this under Windows 3.1 in order for this to work.

Gateways Telepath Modem/Fax Board:

A Gateways Telepath 3.5 Modem/FAX board was installed in the HAARP IP System and allows up to 14.4KBaud Modem communications and 9600Baud Send/Receive FAX capabilities. The Telepath is installed at COM3, IRQ5 and has both communications and FAX software installed with it. For Windows 3.1 users, CrossTalk for Windows (communications) and WinFax (Faxing) can be used.

SuperVGA Board:

The HAARP has an ATI Ultra Board with 1MB of Video RAM installed, which has a resolution of up to 1024x764. The output of the VGA board is sent to the video mixing input connector on the AFG board.

Advanced Frame Grabber (AFG) Image Processing board:

This two board set contains all the image processing and display hardware for the HAARP Imager. The model number for the AFG board ordered for HAARP is: VP1510-KIT-512-U-C1-M3-AT. A GSP chip (TMS34010) controls all the display and system interface functions on the board. This GSP has 2MB of system memory of which about .5M is currently used. 2MB of video frame memory (1Kx1Kx16) make up the frame buffer. Four multiplexed RS-170 inputs and one 12 bit digital input port are available on the board. The 12 bit digital input port is used for the HAARP Camera head. The AFG also has an extensive hardware Arithmetic Logic Unit. It is recommended that the user read the AFG Hardware and Software Introductions to become familiar with the board's capability. A block diagram of the AFG board is shown in Figure 4.1.

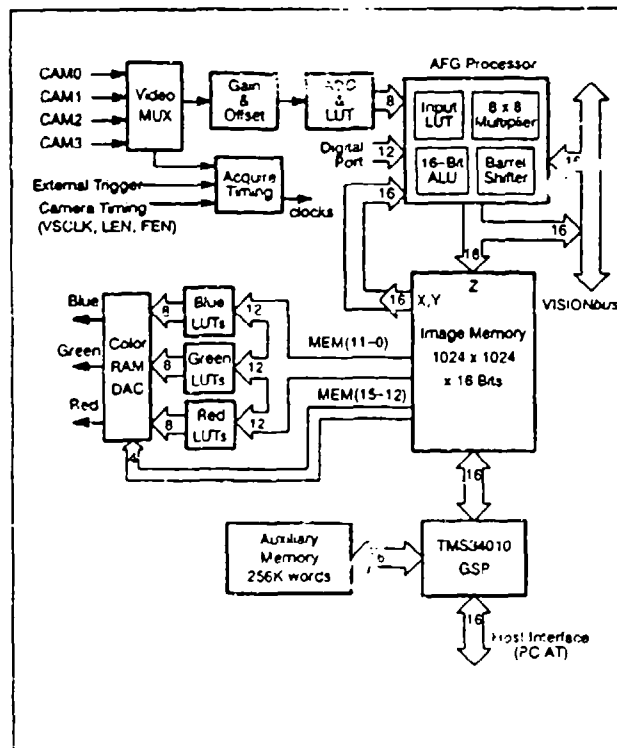


Figure 4.1 -- AFG Block Diagram

The AFG has a daughter board that mixes the VGA from the VGA board with the output display from the AFG's frame buffer. This output must go to a multi-sync monitor such as the NEC 3FGx. Using this VGA mixing board, one monitor can be used to view both the image display and the computer's screen. A key color is set up to choose how to mix both displays. Two displays can also be used at any time for greater flexibility.

NEC 3FGx Monitor:

The NEC 3FGx is a 15" Multi-sync Flat-Screen display capable of up to 1024x768 resolution. It is presently set up for VGA display (640x480). The NEC 3FGx monitor delivered with the HAARP Imager is Model #: JC1532VMA-N and SN: 22M24855A.

Gateways 2000 486 Computer:

The computer runs an Intel 486DX2 processor at 50MHz with 8MB of RAM. DOS 5.0 and Windows 3.1 are installed on the system. DOS 6.0 is provided with the system if an upgrade is desired. It is recommended that the operator become familiar with these operating systems (especially Windows).

4.3 Understanding the Image Processing System

4.3.1 AFG Hardware Specifics

Hardware of the Image Processing System is mostly defined by the frame grabber board: the Advanced Frame Grabber from Imaging Technology (henceforth referred to as the AFG). It is extremely beneficial to have a basic understanding of this board and the ITEX documentation has a good introduction into both the hardware and the software for the board, especially Chapter 3 of the Hardware Manual.

The AFG Board has a 1024x1024 pixel frame buffer with 16 bits depth. The lower 12 bits are used to store the image information, and the upper 4 bits are used for graphic overlays such as image labelling, lines, graphs, etc. In this way, the image labelling does not affect the integrity of the data. There are times however, when one would like to use all 16 bits of the frame buffer for image data, such as when adding ten 12-bit images

together to take an average. Care then has to be taken when using the frame buffer to know exactly what section you are using and what is presently available.

The version of the MIPCTL software delivered with the HAARP IP System has provision for doing all image overlay and graphics in a super-imposed VGA window so that none of this data is being written into the frame buffer memory. This insures the integrity of all 16 bits of image memory.

4.3.2 Image Definitions: General Area of Interest (GAOI)

An area defined in this frame buffer is called a "General Area of Interest" or abbreviated as GAOI. There are defined GAOI's that are used in the MIPCTL application that are useful to know. The frame buffer is broken into four quadrants:

UL:	Upper-Left
UR:	Upper-Right
LL:	Lower-Left
LR:	Lower-Right

There are four predefined depths used with the MIP application:

- 8 Bits
- 12 Bits
- 16 Bits
- Overlay Plane (B12-B15)

Predefined abbreviations are used for these area and use the nomenclature:

GUL12 =	"Generalized Area of Interest, Upper Left quadrant, 12 bits deep" would have the coordinates (0,0) to (512,512)
GLROVL =	"Generalized Area of Interest, Lower Right quadrant Overlay" would have the coordinates (512,512) to (1024, 1024)

This nomenclature is used throughout the MIPCTL application.

4.3.3 Image Memory definitions for MIPCTL applications

Since the casual user in the field does not need to be concerned about the above nomenclature, a number of image areas have been predefined for the MIPCTL application, which are optimized for the kinds of images that the instrument is likely to be taking. Understanding this predefined structure is central to using the MIPCTL application.

Since the HAARP and MIP imagers have a 512x512 CCD digitized to 12 bits, we can define two types of likely images to be collected by the instrument. At full resolution, we have 512x512 pixels, and at 'low-resolution' we use a 2x2 binning which combines 4 adjacent pixels into one 'super-pixel'. This achieves a lower resolution of 256x256 pixels, and quadruples the dynamic range of the CCD (not the dynamic range of the ADC converter which being 12 bits is always 4096:1).

For high resolution (Hi-Res) images, we define four images that can be stored into the frame buffer memory. As in Section 4.3.2, we define these four images as UL, UR, LL, & LR ("Upper-Left, Upper-Right, Lower-Left, and Lower-Right"). Each of these images are 512x512 pixels. There are four images in the Hi-Res **Quadrant** which is 1024x1024 pixels wide. This happens to correspond to the whole frame buffer. Thus, when using four Hi-Res images, there is no room for any more images on the AFG board.

For low resolution (Lo-Res) Images, we define the same four images per **Quadrant** each with the dimensions 256x256 pixels. Because each quadrant now has a dimension of 512x512 pixels (note: the same as a Hi-Res **Image**), there can be four Lo-Res quadrants defined in the AFG frame buffer. These four **Quadrants** are defined as:

Data:	"Upper-Left" usually used to collect raw data images
Back:	"Upper-Right" usually used to collect background images
Scratch:	"Lower-Left" usually used for calculation images
Display:	"Lower-Right" usually used for display images

In each of these quadrants, there are the four Lo-Res images defined above.

Within each of these images, there are four depths that can be defined:

8 bits 12 Bits 16 Bits OVL (4 Bits: B12 -- B15)

These depths are self-explanatory. The most common depths used in MIPCTL are **12 bits** for operations on 12-bit images (e.g. raw-data), and **16 bits** for operations on transformed data (e.g. stretched, added, etc.).

The nomenclature developed for MIPCTL to identify these different images is as follows:

QQ:II DD where:

QQ = Quadrant:	HR == Hi-Res
	DA == Data (Lo-Res, Upper-Left)
	BK == Back (Lo-Res, Upper-Right)
	SC == Scratch (Lo-Res, Lower-Left)
	DS == Display (Lo-Res, Lower-Right)

II = Image	UL == Upper-Left
	UR == Upper-Right
	LL == Lower-Left
	LR == Lower-Right

DD = Depth	8 Bits (B0 -- B7)
	12 Bits (B0 -- B11)
	16 Bits (B0 -- B15)
	OVL: 4Bits (B12 -- B15)

Thus, using this nomenclature, the image:

SC:LR12 corresponds to:

"Scratch Quadrant: Lower-Right image, 12 Bits deep"

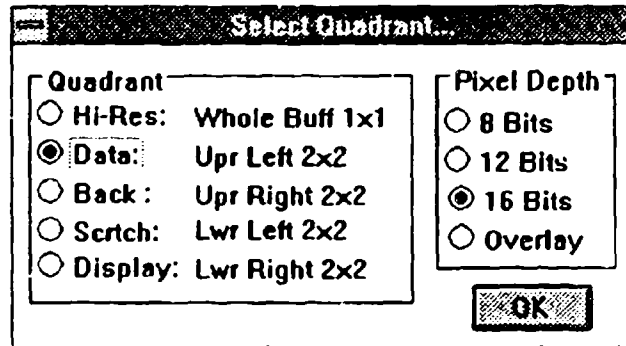
Using pixels locations in the frame buffer, this would be an image:

Origin: X = 256, Y = 768 DX: = 256 DY: = 256

This image is represented by the following diagram:



This diagram represents the MIPCTL control box that facilitates selecting an image and is common to most of the image operations in the MIPCTL application. The four boxes represent the images: the gray box representing the currently selected image. The button at the bottom of the box has text in it that represents the Quadrant selected. Pressing this button brings up another box that allows you to select which quadrant you want:



Any changes in the quadrant is reflected by the text in the button. So the above change would be reflected with the text: **DATA:16**.

4.3.4 Limitations in the AFG Frame Buffer

Because of the physical size of the frame buffer (1024x1024x16), there are only so many images that can fit into the frame buffer at any one time. It should be understood that physically, the Lo-Res **Quadrants** occupy the same physical space as the Hi-Res **Images**. Thus, modifying something in the image of DA:UL16 is also

Chapter 5 Using the MIPCTL Software

5.1 Using the MIP Image Processing System

The basic functionality of the Image Processing System will be discussed here. There is an unlimited range of possibilities that are open to users, depending on their understanding of all the components of the system. The Windows operating system, however, is designed to make applications self-explanatory to use. With a limited learning curve, the user should be able to become productive with the MIPCTL software. The MIPCTL software tries to strictly adhere to the IBM CUA guidelines so that all key strokes and mouse actions are consistent with the Windows Interface.

If users becomes limited by the constraints of the MIPCTL application, more flexibility can be gained by opening Window's *Terminal* program to talk directly to the HAARP imager using the FORTH commands and opening Imaging Technology's *Intrp* interpreter to talk directly to the AFG board using Imaging Technology's ITEX language. For this, the user should refer to the appropriate manuals for instruction.

5.2 Using Windows 3.1 and MIPCTL

5.2.1 Starting *Microsoft Windows 3.1*

Upon powering on the computer, it will go through it's booting procedure until finally ending up in the Windows environment. Many windows will be displayed and the Windows Program Manager will be operating. If Windows is not running, type:

```
win<cr>
```

5.2.2 Starting MIPCTL

The MIPCTL control Program is located in the **MIPCTL Development** group box and under it's icon the name **MIPCTL** should appear. To start the MIPCTL program, double click (or use the Windows key strokes) on the icon. An "hour-glass" icon will appear as the software initializes itself. There are many stages of initialization. The longest initialization occurs the first time MIPCTL is started after the computer is rebooted. This is due to the AFG board being loaded up with all of it's board-resident software. If the

computer has not just been rebooted, the initialization should only take a few seconds. Once the initialization has been completed, the "hour-glass" icon will return to the normal "arrow" icon.

The initialization of the MIPCTL software also involves setting the hardware and software parameters. A lot of these are defined in a file called

KEOCCD.INI in directory: C:\WINDOWS\

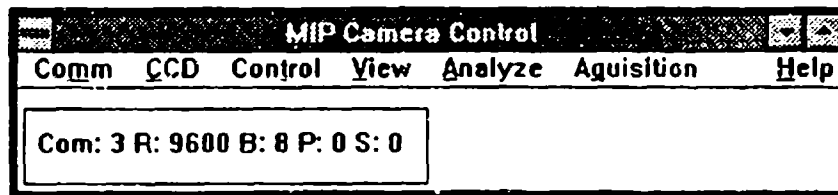
This file contains camera, communications, and software setup information based on the last execution of MIPCTL. The file allows the software to automatically come up in the same configuration as the last execution. If this file gets corrupted, the initialization may fail, giving an appropriate error message. In this case, you will need to edit KEOCCD.INI using a text editor such as Window's **NotePad**, and manually set the parameters in KEOCCD.INI to valid values. Section 5.4 will describe KEOCCD.INI in more detail.

The communications port will be set during the initialization and if successful, a status line in the MIPCTL Window (usually shrunk so that you can't see it) will appear that indicates the status of the COMM port. The HAARP Imager was delivered using the following COMM Port Settings:

COM4, 9600 Baud, 8 Bits, 1 Stop Bit, No Parity

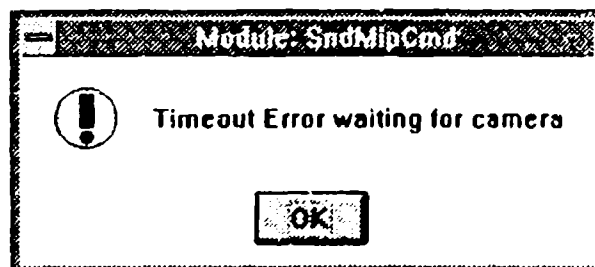
where COM4 was setup (using Window's **Control Panel**) to have the address 0x310, IRQ11, and the above communications settings. If there are any problems initializing the port (say perhaps, another application like **Terminal** is using **COM4** or KEOCCD.INI has been corrupted), an error message will come up. You should exit the MIPCTL program and remedy the situation.

Once MIPCTL has successfully opened the **COM** port, a communications status box will appear in the Window:



These numbers do not directly represent the communications settings, but rather the Device Control Block Parameters that Windows uses in setting the communications port. However, this will give you feedback as to whether the port is set up the way you want it. Under normal circumstances, you can ignore this status window.

During the initialization, MIPCTL tries to initialize the camera to it's previous state. If there is a problem establishing communication with the camera, the following warning box will appear. This warning appears at any time during the application if there is a communication problem with the camera.



If this error occurs, check the camera communication system: Is the cable connected to COM4? Is it connected to the camera? Is COM4 (or whatever port you're using) setup correctly in Windows to agree with the installed hardware? Is there another application open that is using the COM port (such as TERMINAL)? Power down the camera (or push the reset button on it's rear panel), and reboot the application.

5.2.3 The MIPCTL Window and *Microsoft* Windows 3.1

The MIPCTL Window is a standard Windows 3.1 window, and thus has full Windows 3.1 functionality. You can re-size it, minimize it, move it, etc. The user should become familiar with the use of Windows 3.1 to get maximum use out of the MIPCTL application.

In addition, you can have any number of other applications running at the same time as MIPCTL, although the more you run, the slower everything will be. These applications can be any size and minimized as well. After starting MIPCTL, it is a good idea to minimize all other applications (including the Program Manager) and move the icons over to the right of the screen. This will give the maximum visibility for the images in the frame buffer.

5.3 MIPCTL Software Manual (v5.3.1)

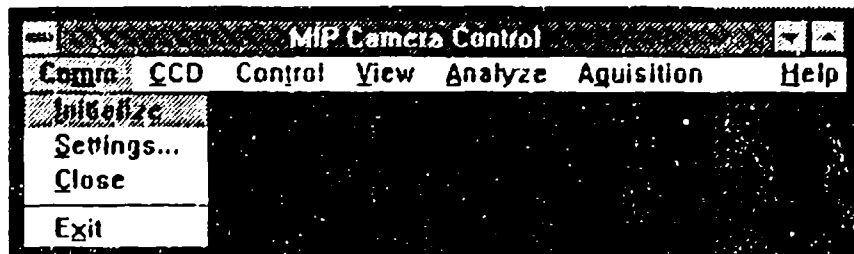
If everything was successfully initialized, all the menu elements should be enabled and appear black. If they are grey that means that they are disabled. The main menu should read:



The underlined letter represents the Windows keystroke to type to activate this menu item. Type the <Alt> key, and then type the underlined letter if you do not wish to use the mouse. (see Windows 3.1 User's Manual for more information on Windows keystrokes)

5.3.1 The Comm Menu functions

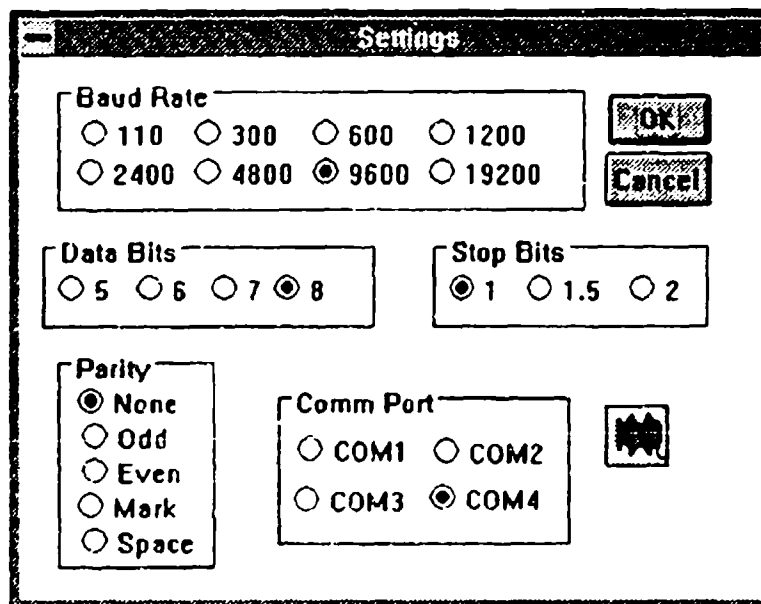
The Comm menu contains the initialization functions. It looks like:



Initialize: This menu item initializes the COM port. If the COM port is already opened to the application, this menu item will be disabled and appear grey. There may be times when you would want to reinitialize your COM port. For example, you want to talk to the HAARP imager via a communications program such as TERMINAL to test some

functionality without closing **MIPCTL** and thus losing all the information presently in the frame buffer and **MIPCTL** buffers. You would **Close** the COM port, and when ready re-initialize using **Initialize**. Notice that when you close the COM port, all menu items that rely on communications with the camera turn grey and are **Disabled**.

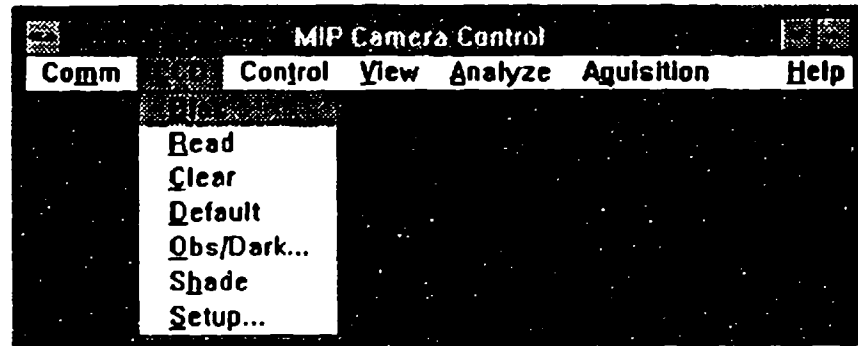
Settings: Settings allows you to change the communications settings on the COM port. This is normally not desired, but there could arise times when you want to use a different COM port, slower baud rate or the like. Also, this allows for future situations when the camera hardware might be slightly different. Once the settings have been changed, the port should be **Closed** and re-**Initialized**.



Close: This closes the COM port and disables all the menu items that need communication to the camera. This is described in more detail in **Initialize**.

5.3.2 The CCD Menu functions

The CCD menu has the functions that control the CCD camera. It looks like:



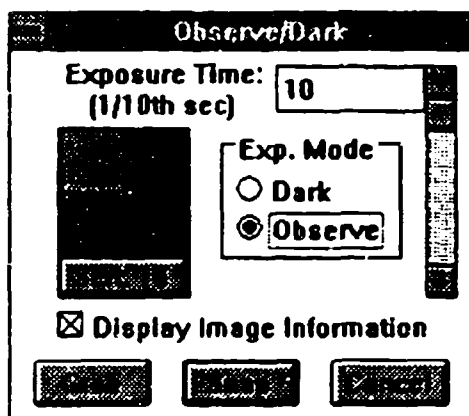
Bias: A bias is executed on the camera and read into the frame buffer at the presently selected image (see **Display**). A Bias is used to check the read amplifier gain of the CCD read electronics. The CCD is cleared three times to make sure there is absolutely no residual charge or dark noise in the CCD wells, and the CCD is subsequently read out.

Read: The CCD is read out into the presently selected image of the frame buffer. A Read contains whatever was in the CCD at the time of the read. If the CCD had been sitting for 20 minutes there would 20 minutes of dark noise and light leaks accumulating.

Clear: Clear clears out all the CCD pixels without reading them.

Default: Default sets the CCD read parameters to the default conditions. For a detailed description of these parameters see the FORTH documentation. A default read has 1x1 binning, and all 512x512 pixels are captured by the AFG board.

Obs/Dark: Observe gets its name from the astronomy community and is used to be consistent with Photometrics and Advanced Technologies terminology. **Obs/Dark** pops up a dialog box, that lets you select the destination location, the exposure time, and whether to take an exposure or a dark exposure.

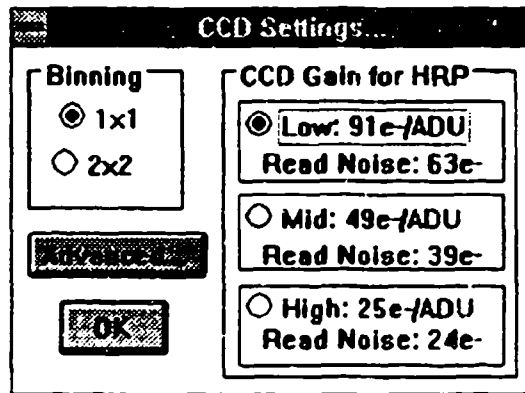


This dialog box stays active throughout the exposure until you exit it. This is convenient for taking many different exposures during a test. The dialog box can be moved wherever you want (even almost all the way off the screen) so that the image being captured is fully visible.

The **Display Image Information** check box indicates whether MIPCTL should store a 'snap-shot' of the camera's status at the time of exposure, store this in the image information buffer associated with this image, and label the image overlay with the information titles. The information parameters are things like time, exposure, filter value, temperatures, location, etc. and are discussed in more detail in Section 6.2. Image information is usually important: if you want to archive this image and use it for later analysis. If the image is used purely for temporary information, such as focusing the image, then it is quicker to not display (and store) this information.

Shade: **Shade** produces a horizontal wedge pattern with every 64th pixel increasing in intensity by a value of 1. Thus each row will increase in intensity by 8, and a 512 row image will test out all of the pixel intensities from 0 to 4095. This is useful to test out whether the camera is working, whether the digital input port is working, or even a quick way to test the communications interface.

Setup: Setup pops up a dialog box that lets you set details of the CCD read out.

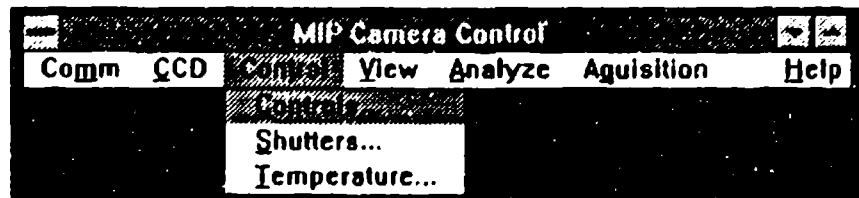


The CCD camera's Gain can be set. The gain is defined as how many electrons it takes to equal one ADU (Analog Digital Unit). The read noise associated with this gain is displayed for your reference. These values are displayed automatically depending on which camera head has been selected in the KEOCCD.INI file. If the heading displays a different camera head, you should correct this by editing KEOCCD.INI with a text editor. The two camera heads currently supported (v5.3.2) are **MIP** and **HRP** (HAARP).

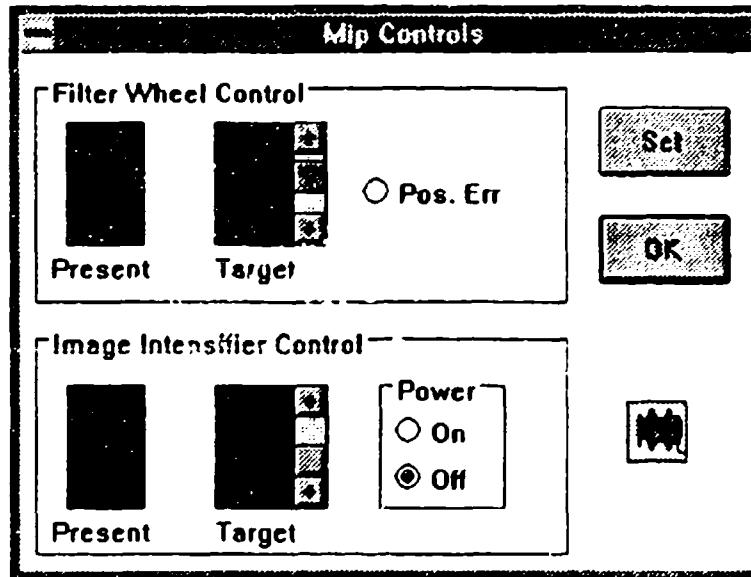
The user can also select the binning factor from this dialog box. Currently, only two standard binning functions are allowed: 1x1 & 2x2 which correspond to the Hi_Resolution and Lo_Resolution images discussed in Section 4.3.3. An inactive button **Advanced** is in the dialog box for the future addition to the software to allow the user to manually set all the individual parameters of the CCD readout. This will allow features such as flexible XY binning & sub-sample readout.

5.3.3 The Control Menu functions

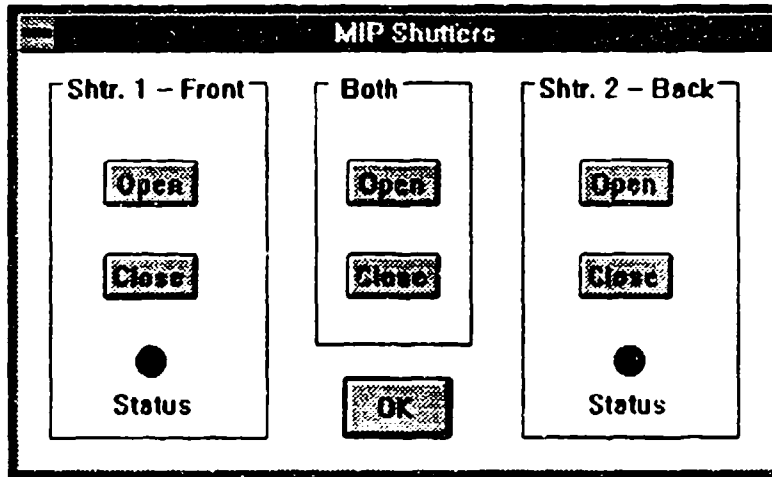
The **Control** menu has the functions that control the HAARP imager control electronics. It looks like:



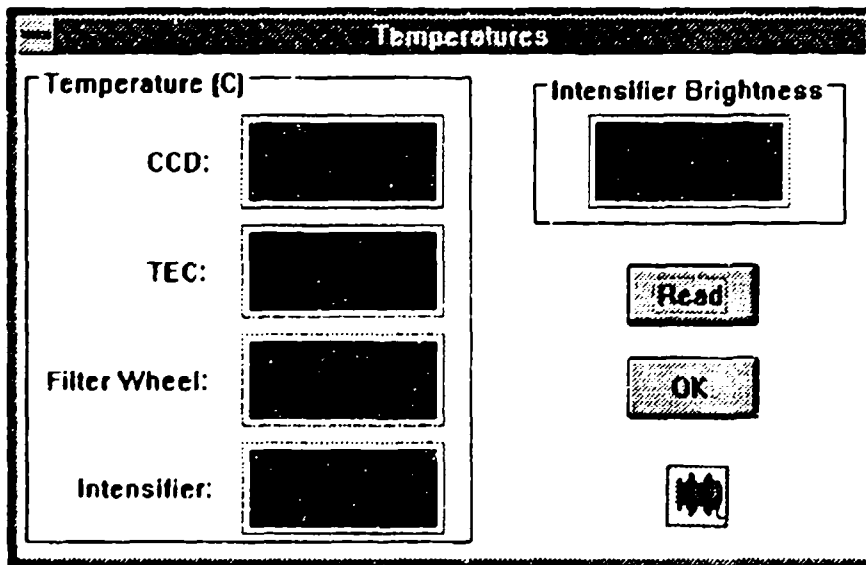
Control: This menu item allows the user to control the filter wheel and the intensifier. The dialog box emulates the control panel on the HAARP imager and is used in much the same way. The target and present values are displayed in two large "LEDs". The user selects a new target for either the intensifier or filterwheel, selects the Intensifier Power On or Off Button, and when ready Sets this new state. If Set is not pushed, this new state will not be updated to the camera and changes will not be reflected in the Preset 'LEDs'.



Shutters: The shutters can be manually opened and closed with this menu item. There are status LED's in this dialog that mimic the same function on the HAARP imager control panel indicating whether the shutters are physically open or not. These status lights represent the state of physical microswitches inside the shutters of the camera. This feature is often used to check the shutters for correct operation, or for doing specialized work with the camera (e.g. for visual inspection of the image intensifier: remove the head, open the back shutter, check the light conditions and open the front shutter.)



Temperature: This menu item reads all the system temperatures, and displays them in degrees Celsius. It also reads the Intensifier Brightness PhotoDiode. An example of using this and the Shutter dialog, would be to open Shutter 1, do a Temperature, check the Intensifier Brightness value to see how bright the intensifier is and then close Shutter 1.

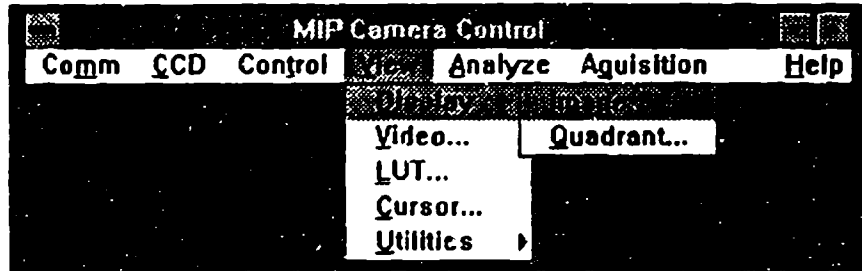


With the current software version (v5.3.2), this dialog box will do a read every 2 seconds and automatically update the 'LED' displays. While reading the camera, the camera icon will come on. Unfortunately, everything is locked up during this period, so hitting the 'OK' button with this icon, will not terminate the dialog box. The user must wait until the icon

has returned to the 'ARROW', and then click on the OK button or hit a <cr>. This will be improved in a later software release.

5.3.4 The View Menu functions

The View menu controls the basic image processing functions. It looks like:



Display: The Display dialog lets the user select which image or quadrant to display. Refer to Section 4.3.3 to get a full image and quadrant nomenclature explanation. The user has the option of looking at an image individually or, looking at a whole quadrant.

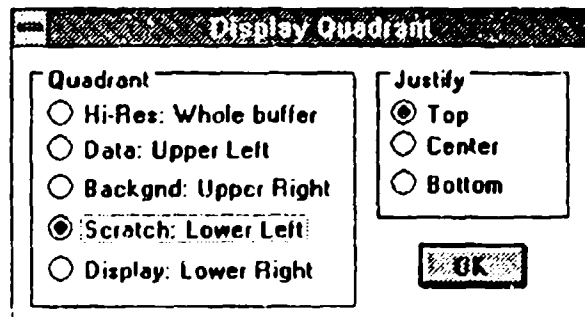
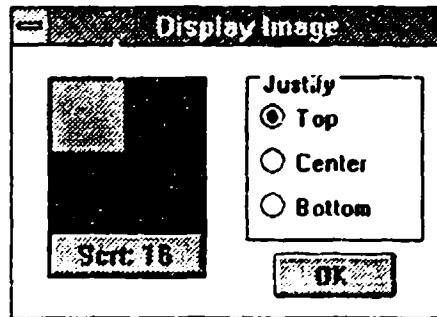
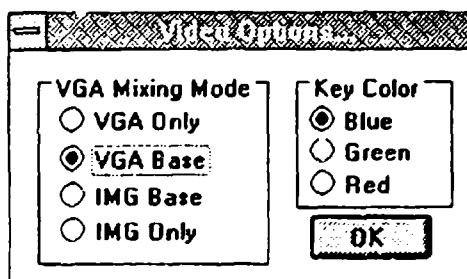


Image or Quadrant displays have three justifications: Because the images have a integral height of 512 pixels, and the VGA screen has a height of 480 pixels, a whole image (or quadrant) cannot be viewed on a VGA display (640x480). The user could change the resolution of the display to SVGA (800x600), but then the screen would have to be recalibrated and the images would be significantly smaller. It was decided that the VGA display would be a better choice, giving larger images.

In order to cover the whole image, the user selects which justification to view the image: Top, Center, and Bottom. **Top** allows the viewer to see the top of the image, cutting off the bottom 32 lines. **Center** 'centers' the image vertically, cutting off the top and bottom 16 lines. **Bottom** displays the bottom of the image cutting off the top 32 lines. The default display mode is **Center**.

A display characteristic of the AFG board should be mentioned here. When displaying the Hi_Resolution **Quadrant**, the AFG board is squeezing a 1024x1024 image area into a 512x480 VGA window. To do this, the AFG board drops every other pixel. This can result in erroneous looking graphics and image artifacts that are not inherent in the image.

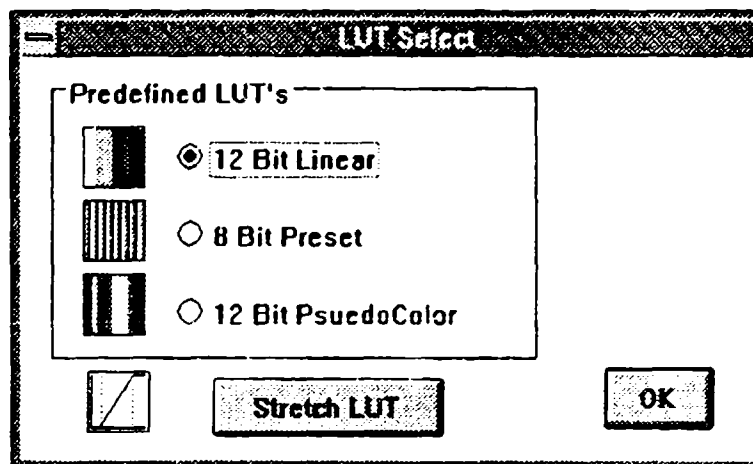
Video: This dialog box allows you to change some of the video features associated with the image display. Since the VGA display is mixed with the AFG image display, there are several options that can be used. The default values: VGA Mixing Mode: **VGA Base** and Key Color: **Blue**.



There are four VGA mixing modes: VGA only gives you just the VGA display. This could be useful if you wanted to work just in the Windows environment for a while (say you were developing some new C source code to fix software bugs!). The **MIPCTL** program would still be running, but you would not see any of the frame buffer. *VGA Base*

is the default mixing option. This sets the VGA as the base and anything in the VGA display that matches the selected key color becomes transparent (like the blue windows created by MIPCTL to give a 'port' through to the images in the AFG frame buffer). *IMG Base* is the opposite. The image is the base and anything that is blue in the image will be transparent and show the VGA display. This is not a very practical option but is included more for the sake of completeness. Finally, the *IMG Only* option displays only the frame buffer display and could be useful in some cases. This is terminated by clicking the mouse or by hitting a key. Note that the display will wrap around when you do this as the pixels in a row over 512 will continue into the next pixel of the VGA display and so forth.

LUT: The LUT menu item allows the user to set LUT's on the AFG Board. LUT stands for Look Up Table and represents how a 12 bit pixel value will be converted upon passing through the LUT. The standard uses for an LUT are for the display (as in the first 3 LUT's), or for transforming an image on a pixel-by-pixel basis (such as *Stretch*: mapping all pixels in an image with values of say, 1000 - 3000, to an image with values 0 - 4095).



For a detailed description of this it is recommended that you read the Hardware/Software Introductions for the AFG board as well as Chapter 6 of the ITEX Software Manual. In addition, if more complicated LUT operations are needed, they can be implemented using the ITEX LUT commands through the interpreter program of the AFG (INTRP).

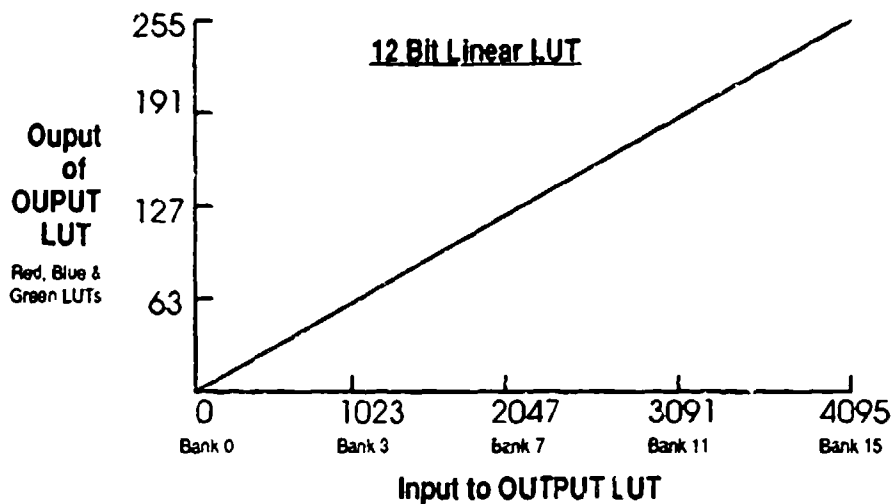


Figure 5.1 -- 12 Bit Linear Grey-Scale Output LUT

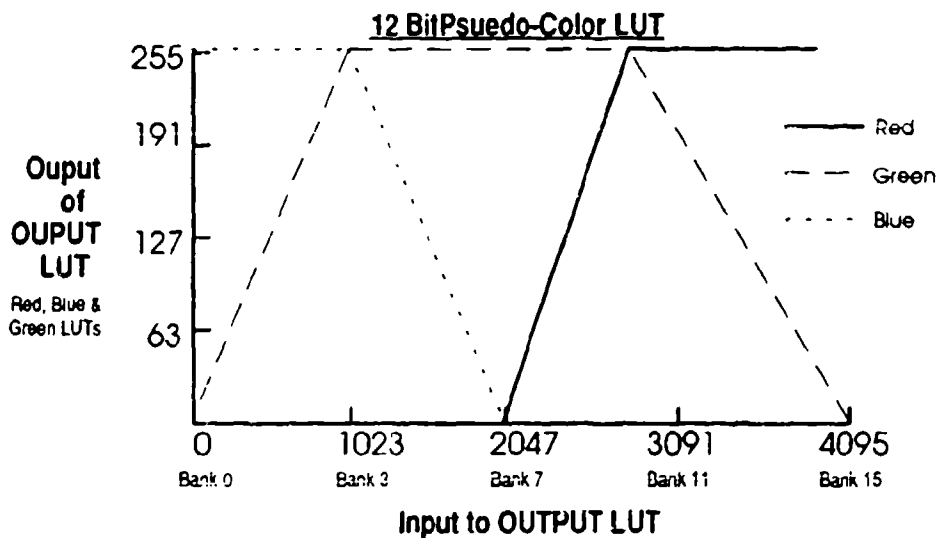
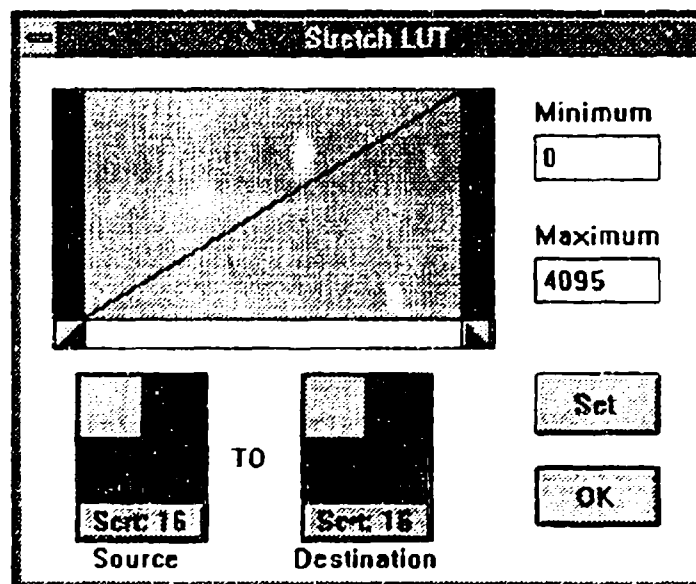


Figure 5.2 -- 12 Bit Psuedo-Color Output LUT

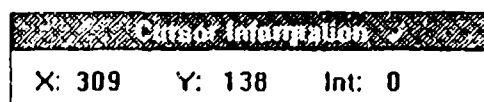
You can just click on the preset LUT's given to you in this menu item to see how different LUT's affect the image. The first three LUT's affect the way the whole frame buffer is displayed (the OUTPUT LUT). There are three default LUT's defined in the HAARP system: 12 bit Linear, 8 bit Default, and 12 bit Psuedo Color. Refer to the ITEX Software manual to get a description of the 8-bit default OUTPUT LUT definitions. Figure 5.1 shows a 12-bit Linear gray-scale LUT, and Figure 5.2 shows a 12-bit psuedo-color LUT. The final LUT affects the INPUT LUT, or the LUT that transforms incoming

pixels into the frame buffer. This is used to rescale an image. To do this, you press the **STRETCH LUT** button, and a new dialog appears which allows you to select the source and destination locations (they can be the same, i.e. if you have already saved your data), to enter manually the minimum and maximum values for the LUT, or to use the graphical display to set the LUTs by moving the Min. and Max. arrows.

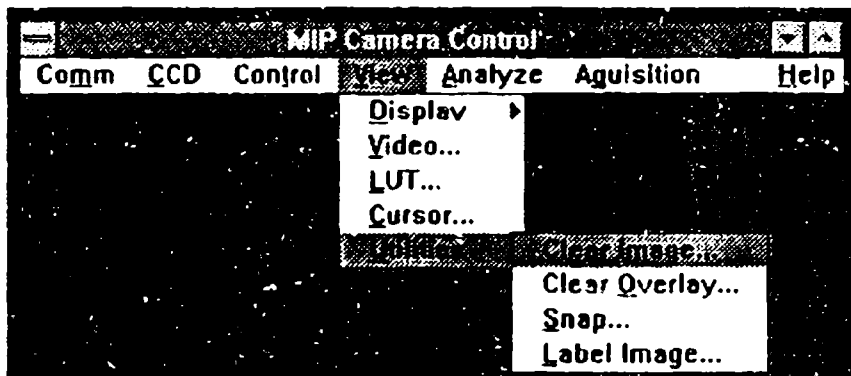


Once you have the desired values, press **SET** and **MIPCTL** will "Snap" the source image into the destination image (passing it through the **INPUT LUT**).

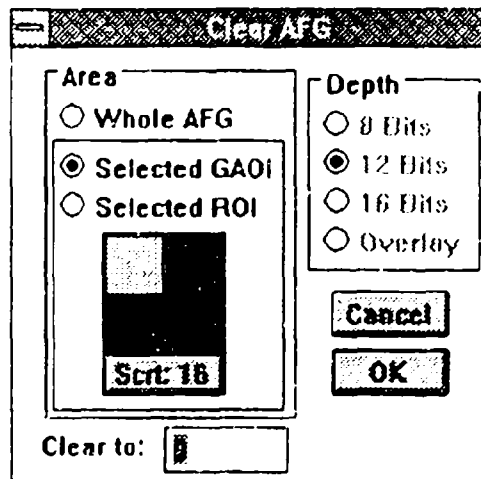
Cursor: This menu item pops up a display box and changes the cursor to a cross-hair. The display box gives the x,y location of the pixel in the frame buffer's coordinates, and gives the intensity of the pixel at that point. To end the cursor routine, click the mouse once.



Utilities: The Utilities sub-menu looks like:



Clear Image: This is a utility to clear different areas of the frame buffer. You can determine what the final pixel value of this area will be by changing the value in the edit box.



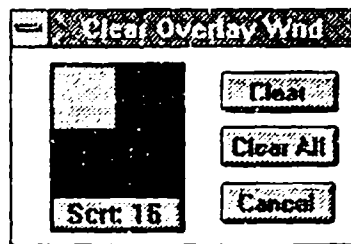
The value will be clipped to whatever destination pixel depth you have selected. You can select areas: The whole frame buffer, a particular image, or the presently defined Region-of-Interest for that image. There are four depths: 8 Bits, 12 Bits, 16 Bits, and the Overlay which is the most significant 4 bits of the frame buffer.

An example of using this utility would be when you wanted to do some 16 bit arithmetic on a 12 bit image that had some graphics data in it. Before doing the arithmetic, you should clear the bits for that region to 0, so that the graphics pixel values do not affect the math. Of course, this would destroy the graphics in the image.

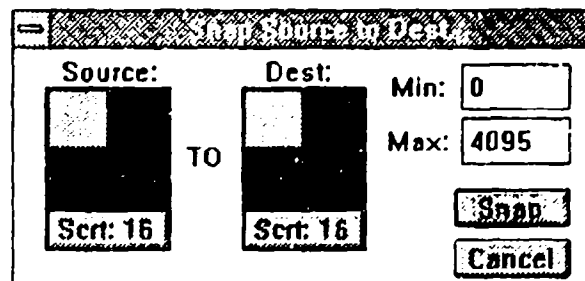
Another example of using this utility, would be if you wanted to do some image arithmetic using a constant operand (the current software version (v5.3.2) does not support constant operand arithmetic). Clear a destination image to the value desired for the constant operand (say 100) and then use this as the destination image of your image arithmetic (discussed in Section 5.3.5). If you were doing addition, your math would become:

$$\begin{aligned} &\text{Clear Source1 Image to 100} \\ &\text{Dest Image} = \text{Source2 Image} + \text{Source1 Image} \quad (D = S2 + 100) \end{aligned}$$

Clear Overlay: The overlay window is a VGA window that overlays the AFC frame buffer image and is used to draw graphics and text. This insures that none of these graphics objects corrupt the 16 bits of the data stored in the frame buffer. Use this utility to clear these overlay objects:



Snap: This utility lets you snap one image to another image. This is done by selecting the source and destination quadrants and then hitting OK (or hitting a <cr>). This is useful for duplicating images in the frame buffer for subsequent manipulation and comparison.



The snap dialog box has provision for setting the Min/Max of the Input LUT. This converts the destination image in exactly the way that Stretch does (discussed above under LUT's).

Label Image: The dialog box allows the user to 'stamp' the text fields associated with the image information from the Overlay Window directly into the image pixels. The text will be written into the OVL bits of the frame buffer (B12-B15) and so will not corrupt 12 bit data.

Stamp Overlay to Image

Date: 16 Jul 93 Time: 14:45:04

Exp. Time: 2.2 Int. Gain: 0

Filter: None

Location: KEO Lab

Comment: CCD Flat Field #3

Destination Image:

MIPCT: 16

Stamp

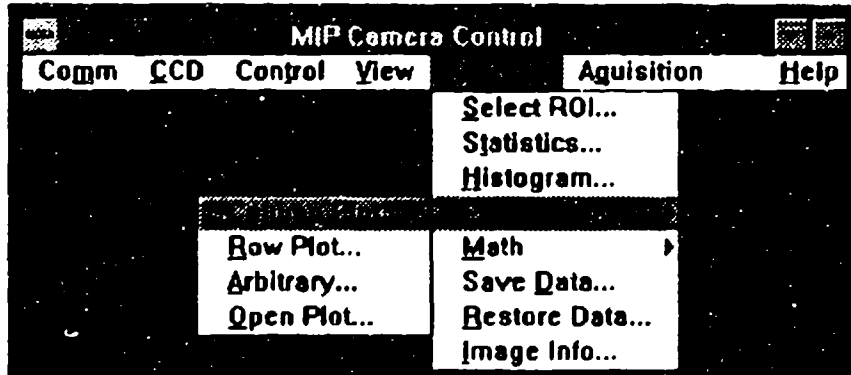
Cancel

The user can select the destination image. If the image has an image information buffer defined already, this information will be filled into the appropriate edit fields of the dialog box. The user can then modify these values to reflect the final text they want to be stamped into the image. The 'Stamp' button can then be hit and the user will notice the text being transferred directly into the image.

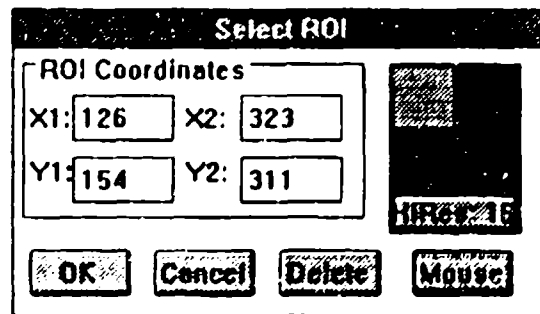
This feature is useful, for example, if the image is to be distributed to another scientist who does not want to spend time deciphering MIPCTL's image header. The text imprinted into the image data will readily identify the image and work on any image processing system that can read 16 bit images.

5.3.5 The Analyze Menu functions

The Analyze menu controls the basic image processing functions. It looks like:



Select ROI: Select ROI (Region-of-Interest) lets you select a ROI either by using the mouse or by entering the coordinates of the ROI from the keyboard.



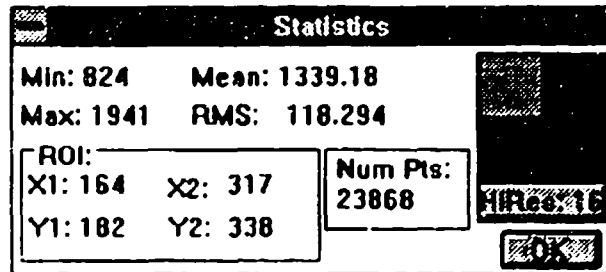
A colored rectangle will appear in the overlay window where the ROI is defined. You can also delete the defined ROI with this menu item. With the current software (v5.3.2), each image can have one ROI presently defined. If the ROI is already defined, it's coordinates will appear in the edit fields when the image is selected.

Once the ROI is defined, it stays in memory until you delete it by hitting the 'Delete' button in the Select ROI dialog box. Any subsequent call that uses a ROI, will use this defined ROI. If no ROI is defined, a warning will appear, and you should execute this dialog box to define one.

To use the mouse, click on the mouse button and move the mouse to your desired starting position. Notice that the origin coordinates will be updated with the mouse

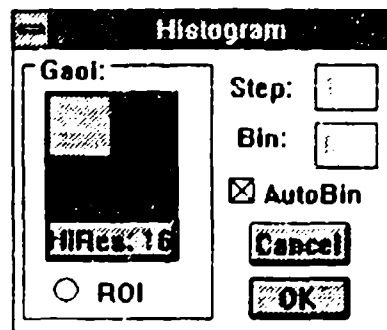
movements. Once you are at your desired origin, depress the mouse button, and while holding it down, drag the mouse to your ending point. A colored rectangle will follow the movement of the mouse. If you are dissatisfied with the result, either type in a new ROI, or just press the MOUSE button again and a new ROI will be defined.

Statistics: Statistics calculates the Mean, RMS, Max, and Min of the presently defined ROI in the selected image.



The Statistics dialog box also gives you the coordinates of the ROI and the number of pixels (data points) contained in the ROI. In addition, you can select a new image from within the Statistics dialog and new statistics will be calculated for the defined ROI of this image.

Histogram: Histogram computes a histogram of the selected image (or ROI defined in the image) and plots the results in the standard MIPCTL plotting window.



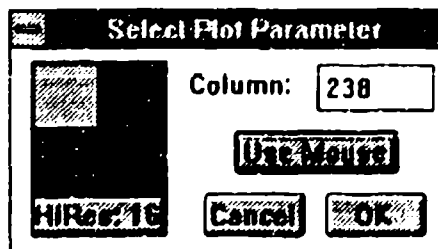
There are two parameters that control the histogram that can be changed. Step size, and Bin size. Step size refers to how many pixels are taken for the sample. 1 corresponds to every pixel, and n corresponds to every nth pixel. The higher the step size, the quicker the histogram will execute, but the less representative of the image the results will be.

Bin Size refers to how many histogram bins are computed. 1 corresponds to every pixel value (0 to 4095 for a 12 bit image), 2 corresponds to 2 pixel values binned into one bin (0 to 2047 for a 12 bit image), etc. This will also greatly increase the speed of histogram execution.

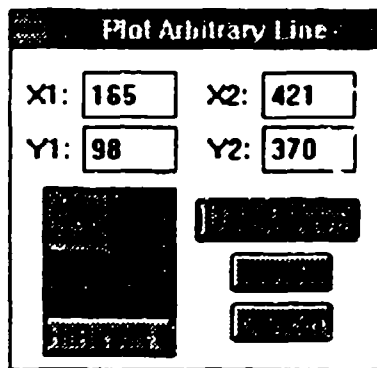
The AutoBin checkbox allows the MIPCTL application to determine the optimum bin size for a plot. Since most Histograms are used for plots, a value similar to the resolution of the VGA screen would be best. Since the maximum horizontal resolution of our monitors is 1024 pixels, a normal histogram would be 1024 points. The AutoBin calculates this binning factor: For the 16 bit image selected above, a binning factor of 6 is used to map 0 --> 65535 to 0 --> 1023 ($65536/1024 = 64$ or 2^{**6}).

If higher resolution data for the histogram is desired, then disable the AutoBin mode by clearing the checkbox, and enter the desired binning factor.

Row and Column Plot: Row and Column plot read a line of pixels down a selected column or row and then plots this in the standard Plot window. You can either enter the column or row manually via an edit box, or by using the mouse. A colored line unique to this plotting window appears in the overlay window for the image.

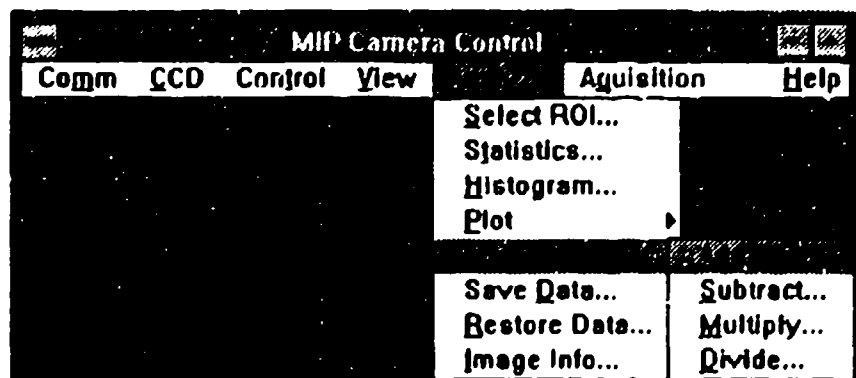


Arbitrary Plot: Arbitrary plot reads a line of pixels across an arbitrary line and then plots this in the standard Plot window. You can either enter the line manually via edit boxes, or by using the mouse. A colored line unique to this plotting window appears in the overlay window for the image. The AFG board reads the pixel values along an approximation of this line. The number of points read correspond to the x distance of this line, not $\sqrt{(x^2 + y^2)}$ as one might expect.

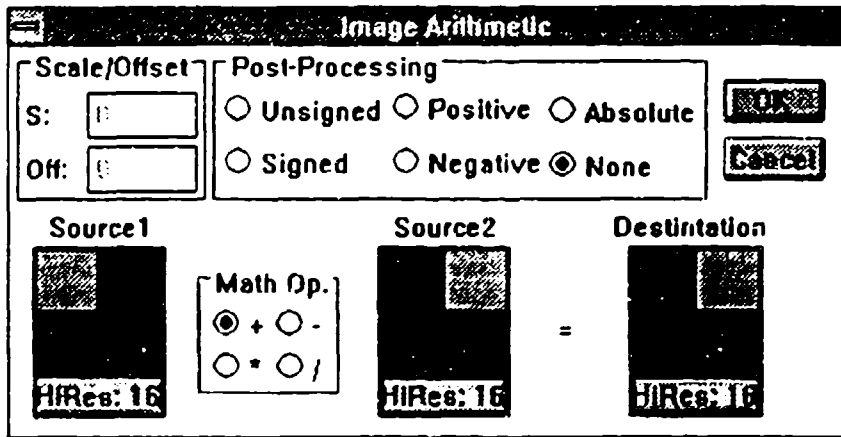


Open Plot: This menu command allows the user to open up a previously saved plot from the MIPCTL application. This plot must be stored in the format discussed below as defined by the MIPCTL application. A user could import data from another application and manually create the necessary header with a standard text editor if needed. Once this plot is opened, it is treated just like any of the other plot windows created with the above commands.

Image Arithmetic from the Analyze menu:



The image math menus pop up a dialog box that lets you select all the necessary features to perform the image arithmetic. Each menu item will bring this dialog up in the default form for its operation, but you can change any of the displayed parameters. The source and destination GAOI's, the depth, and the post-processing flag are selected.



For a detailed description of how the AFG does math, refer to the ITEX Software manual (CH.11) and the ITEX Release Notes v2.2-2, but briefly the math equations are as follows:

Add: $DEST = PFLAG(SOURCE1 + SOURCE2)$
Subtract: $DEST = PFLAG(SOURCE1 - SOURCE2)$
Multiply: $DEST = PFLAG([(SOURCE1 * SOURCE2) \gg SCALE] + OFFSET)$
***Divide:** $DEST = PFLAG([(SOURCE1 / SOURCE2) \gg SCALE] + OFFSET)$

where:

PFLAG is the post processing flag and can have the values:

ABSOLUTE: Negative values are converted to positive values
and positive values are left unchanged.
NONE : No Post-Processing.
POSITIVE : Positive values are clipped to the maximum GAOI
depth and the negative values are set to zero.
NEGATIVE: Negative values are made positive and clipped to 255.
Positive values are set to 0.
SIGNED: Numbers are treated as signed values.

SCALE is used in multiply and divide to shift the result of the mult./div.
either left or right.

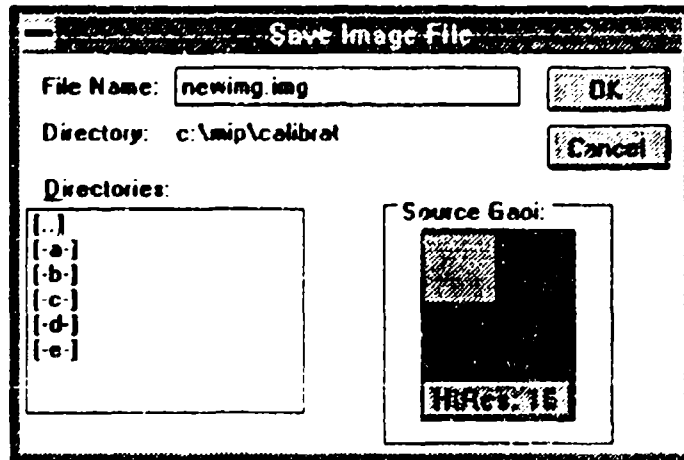
OFFSET is a constant number added to the mult./div. operation after the
shift but before the post-processing.

*For ITEX v2.2-2, the Divide function was disabled on the AFG board

User's Note: When looking at data where differences are of interest, such as calculating the mean/variance curves, negative numbers are significant. Since the math on the AFG board is done in signed arithmetic, you will need to clear all 16 bits of any extraneous information (such as overlays!), and then do signed arithmetic. Even if the images are only 12 bits deep, all 16 bits will be used in the result because of the way signed integers are represented on the AFG board.

It would be a useful exercise for users to experiment with these features with different post-processing options and GAOI depths to make sure they understand the hardware processing on the AFG board. The image math is extremely fast on this board (<16msec), but capabilities are limited by the hardware architecture.

Save Data: Saves the image selected in the Source GAOI control to disk. The image is stored in the ITEX format. The image can be stored on any disk, in any directory and follows the standard IBM CUA guidelines for File Saving.



Restore Data: Restore Data allows the user to open up an image from the disk using the standard IBM CUA guidelines for opening files. This image is assumed to be in ITEX format, and will be read into the currently displayed GAOI.

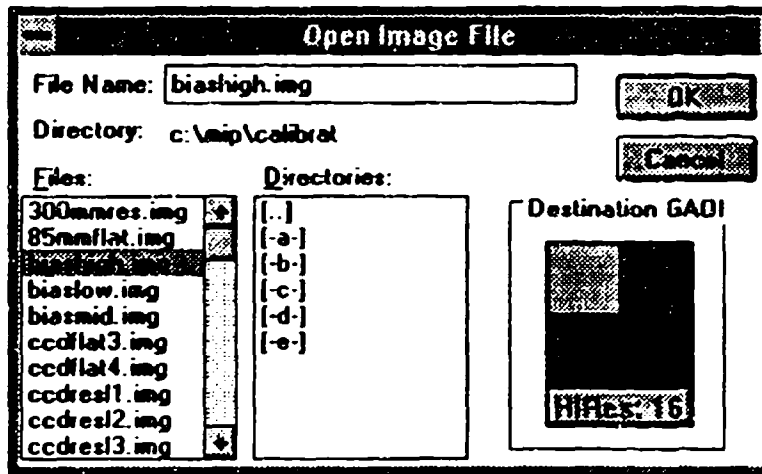
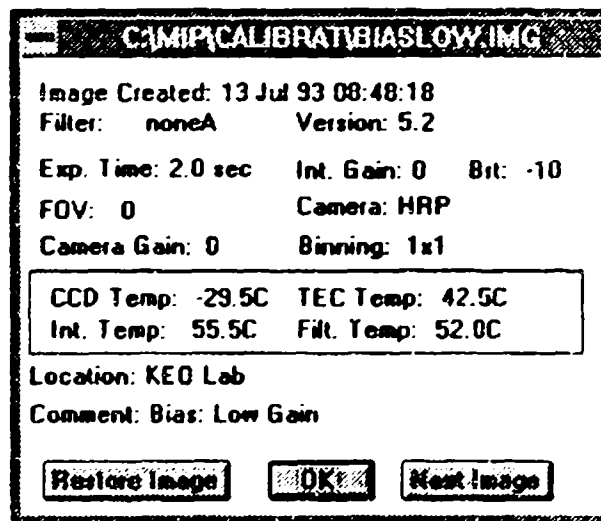


Image Info: This dialog box allows you to quickly look at the image information header of any image on the disk. This box does not initially restore the whole image to a GAOI. If you want to view this image, you can then select the **RESTORE** button and the image will be restored into the selected GAOI.



If the image is not an Image Technology image file, this function will not work and an error dialog will appear. The first two bytes of an ITI image file have the characters 'TM' to identify it as an image file. Refer to Section 6.1 for a full explanation of the image file format.

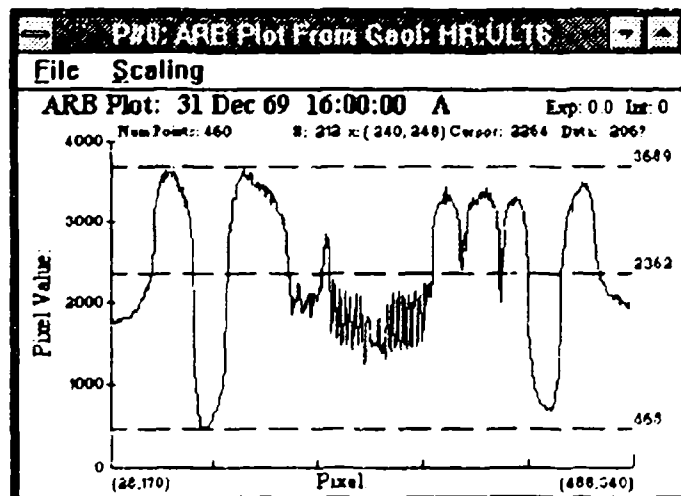
The image information header is looked at next to check that the header was written by the KEO Consultants software package and which software version was used to look at this header. If there is a discrepancy between software versions, or the header was not written

by MIPCTL, the header is written into the **Comment:** field of the dialog box so the user can examine it. Refer to Section 6.2 for documentation on the KEO Image Information Header.

5.3.6 MIPCTL Plotting Windows

MIPCTL's Plotting Windows: The MIPCTL has a standardized plotting window feature that allows multiple plots of different types to be created and displayed. These plot windows are standard Windows 3.1 windows and thus can be minimized, scaled, moved, and resized. A plot window has a plot structure associated with it that stores the necessary plot information such as plot type (Histogram, Row, Col, Arbitrary Line), the pixel locations for the plot endpoints (if a line plot), or the StepSize and BinSize (if the plot is a Histogram), the image in the frame buffer that the plot was taken from, and pointers to the actual plot data and the plot window displaying the data.

Many plot windows can be open at the same time. The handling of these plotting windows is done by a Graphics Server that responds both to user commands and messages from the MIPCTL application. While any plot window is open, the Graphics Server will also be open and will appear as an icon in the Window's background. **Do not close the Graphics Server while MIPCTL is still running as it will affect the plots currently displayed by MIPCTL. MIPCTL will open and close the Graphics Server as needed.**



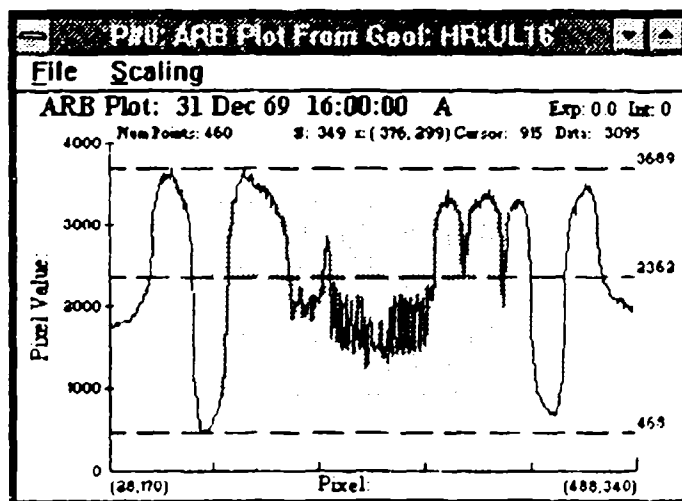
The above plot window shows a plot taken from an **Arbitrary** plot line. The title of the plot window, "P#0: ARB Plot From Gaoi: HR:UL16" tells you which plot window number

(0), the kind of plot (ARB), and the image in the frame buffer that the plot was taken from (HR:UL16).

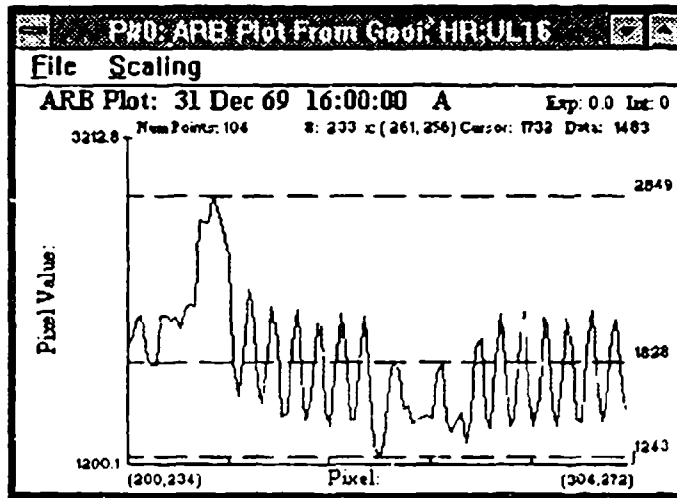
The title of the plot: "ARB Plot: 31 Dec 69 16:00:00 4278A" identifies the image information of the plot: Type, Date, Time, Filter Wavelength. In addition, the Exposure time and the Intensifier gain are displayed: "Exp: 1.0 Int: 0".

The next status line indicates the number of points in the plot. When the cursor is dragged over the actual plot area in the window, the right hand side of this status line displays information about the cursor position, such as the data # in the plot, the pixel location, the cursor position in Pixel Values, and the data's intensity.

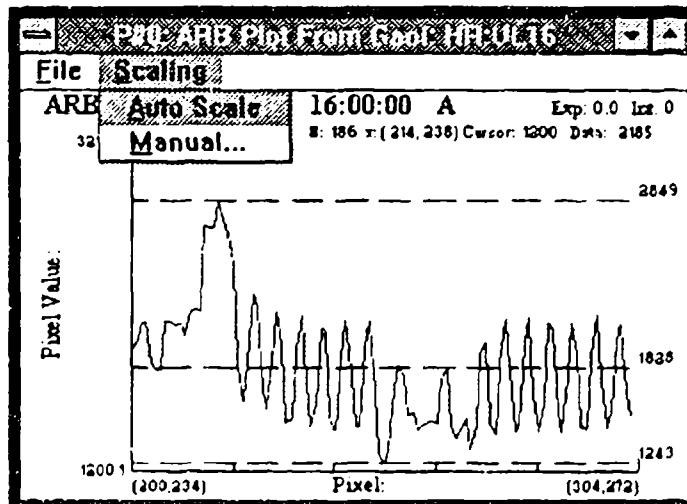
AutoScale & Manual Scale: The plot window initially comes up autoscaling the data. At anytime, if you want to re-autoscale the plot, you can just hit the right-hand mouse button inside the plot window. To manually scale the plot using the mouse, position the cursor on the start point (xmin, ymin) of the plot, depress the left mouse button and drag the cursor to the end point (xmax, ymax) of the plot. As you do this, a yellow window will appear that represents the new plot window to be created as demonstrated in the following figure:



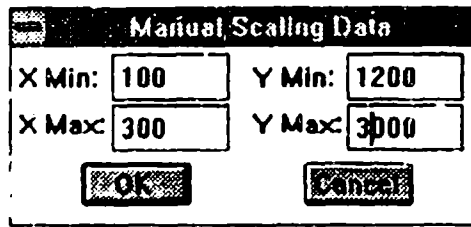
A new window will be created with the re-scaled plot:



To get back to the AutoScale mode, you can simply hit the right mouse button in the plot region again. Alternatively, you can use the mouse commands under the Scaling menu:

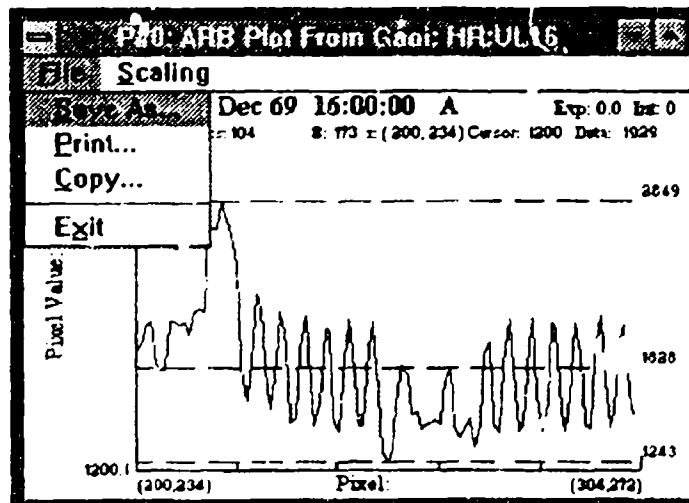


If you choose the Manual scaling menu item, a dialog box will appear that allows you to manually enter the min and max coordinates for each axes. The presently defined limits will appear initially in the edit fields.



Plot Window File Operations:

Under the File Menu in the plot window, you can save a plot, copy it to the Windows clipboard, or print it or exit the plot window and close it. Closing the MIPCTL application will automatically close all open plot windows.



Save As: Saving a plot window prompts for a name of the file and allows you to select the file/disk for the destination file. The MIPCTL standard file extension for a plot file is *.plt. It is recommended that you name all plots with this extension.

The plot is saved by creating an ASCII file that stores the actual data and image information. This file can then be opened from within the MIPCTL application, viewed in any text editor, or opened from within a spreadsheet application like *Microsoft Excel*. Once in this format, complicated charts and analysis features allow the user to view the data. Multiple plots can be created by cutting and pasting spreadsheets. In addition, this feature allows an easy portability between users in the scientific community.

An example of a plot text file is shown in Figure 5.3.

```
; MIPCTL Plot Output -- Text Format: V1.0 KEO Consultants

Type: PARB '2', Gaoi: HR:UL16 '15', NumPoints: '362'
BegPoint: '71' '129' EndPoint: '432' '348'

Date: 04 Jul 92 Time: 09:15:34 '76132456'
Filt: ' 4560' Exp: '33' Int: '0'
Int Br: '33' FieldView: '180'
TEMPS - CCD: -26.5C '47' TEC: 33.5C '166' Int: 1.5C '103' Filt: 24.5C '149'
Loc: Ramey Solar Obs
Comment: CRESS Campaign

; Data: Index, Value
0      2704
1      1754
2      1581
3      2025
4      2220
5      2238
6      2179
... etc...
```

Figure 5.3 -- Plot Output Text File Example

The first line in the plot is a software identifier. The next two lines contain information about the plot. For the above example, the user could read:

"This plot was an arbitrary line from the image HR:UL16. The plot has 362 points and started at point (71,129) and ended at point (432,348)."

The next 6 lines give the image information associated with the image. If there was no information defined, a line would have indicated this. The parameters delimited with the ' character are the instrument values at the time of the image. For instance the date/time string: 04 Jul 92 09:15:34 is represented as a 4 byte number '76132456' and this value can

be used as the Unix time value. These delimited values can be extracted by the user for plotting labels, calculations or whatever. For example, an Excel MACRO could be written to extract the temperature values, convert them to Centigrade and display them in a chart window.

Following the image information, the data occurs sequentially. The first parameter is the data index (or X-axis value), and the second parameter is the intensity data (or Y-axis value). In Excel, these values will automatically appear in individual cells, and thus can be immediately used for charting and calculations.

Printing a plot: Using the **P**rint menu command in the plot window, will bring up the printing dialog box of the currently installed printer. A bitmap image of the plot will be scaled to the current page size of the printer (and optionally rotated if the printer driver supports this feature), and sent to the printer via Window's **P**rint Manager.

Copying a plot to the Clipboard: Using the **C**opy menu command in the plot window will send an image of the plot to the clipboard. This is then a standard Windows bitmap and can be pasted into any standard Windows application, such as **W**ord for **W**indows, **P**aintbrush, etc. This is very useful for writing reports and saving images of plots.

5.3.7 MIPCTL Image Acquisition

The next menu item in the MIPCTL application is the **A**cquisition menu and looks like:



The **S**etup menu item gets the user into the Acquisition feature of MIPCTL. This portion of the software is used to acquire data and automate acquisition cycles. When collecting data, this is the main window that will be used.

Aquisition Table Setup: CUSP93.AOT

File Edit Operations Run

	Fi	Goal	Exp	Int	Min	Max	rec	dfs
1	1	DA:UL16	10.0	2	0	4095	-	-
2	4	DA:UR16	3.0	2	0	4095	-	-
3	SUB: DA:UL16 - DA:UR16 - DA:UL16							
4	PAUSE: 5.0 secs							
5	LOOP back 3 entries 4 times							
6								
7	SNAP: DA:UR16 to DA:LL16 (200,3000)							

Filter

#1 4278


#2 4865

#3 5577

#4 6300

#5 7776

Image Buffer



Exposure: 5.0 [secs]

Intensifier Gain: 2

Cycle Time: 30

Display

Min: 100

Max: 4000

Record

Dark Subtract

Location: Ramey Solar Obs.

Comment: CRESS Campaign 92

Img Path: c:\mip\calibrat

The acquisition window is divided into three sections. The upper-left hand part of this window contains a list of all the acquisition events. These are actions that are taken during an acquisition cycle. The acquisition cycle executes each event in the acquisition list sequentially. This cycle will repeat itself after the number of seconds determined by the edit field labelled **Cycle Time** in the lower middle of the window. In the above example, the cycle time is 30 seconds. If the acquisition cycle takes longer than 30 seconds, the cycle will start again with out pausing.

In the lower left hand corner there are three parameters that display what **Location** and **Comment** parameters will be stored in the data acquired, and what the path (directory) of the subsequent image data will be. In the above example, the image information headers of the images will have:

Location: Ramey Solar Observatory
 Comment: CRRES Campaign 92

The image path will be:

C:\mip\calibrat\

The right hand side of the acquisition window represents the information required to take one image. This is the default 'event' in an acquisition cycle. As we will see, there are several other events that can be defined as well.

The sixth entry in the above acquisition list is highlighted (or selected), so its acquisition information is displayed in the right hand side of the window. In the acquisition list, the event is represented by the string:

	Fi	Gaoi	Exp	Int	min	max	rec	dfs
6	5	DA:UL16	5.0	2	100	4000	rec	--

This could be read as "the sixth aq-event moves to filter #5, takes a Lo-Resolution image using an exposure of 5.0 seconds with the intensifier gain set a 2, and stores the image in the Gaoi: DA:UL16. Once the image is archived (rec), the image is stretched to map its pixel values of 100 -> 4000 to 0 -> 4095 (thus, increasing the contrast of the image)".

The dfs flag is not set in this aq-event. DFS stands for "dark-frame-subtract" and has been disabled in this version of the software, so the setting of this flag will not currently affect the actions of the aq-event.

This information is mirrored in the right-hand side of the window, where these individual parameters are displayed in a way that allows the user to adjust the values. For instance, in the filter list box, filter #5 is shown to be a 7776Å filter. If the user really wanted this aq-event to use a 5577Å filter, the user would select this filter (#3) by selecting the button in the Filter Group, and this value would be updated in the aq-list.

Perhaps the user would also want to increase the intensifier gain to 3. The user would either edit the number in the Intensifier Gain: box, or change the value by selecting the up-arrow by the side of the box. If the user, wanted to focus on looking at details in the darker part of the image, they could change the maximum mapping value from 4000 to say, 2000, using the same approach. Each time a parameter of the event is changed, the event string in the aq-list will be updated. Thus, after the above changes, the event would look like:

	Fi	Gaoi	Exp	Int	min	max	rec	dfs
6	3	DA:UL16	5.0	3	100	2000	rec	--

Individual events can be selected by selecting the event in the aq-list. Once a new event is selected, its parameters will be updated in the controls on the right-hand-side of the

window. Events can be inserted and deleted using the standard Windows API functions from either the **E**dit menu, or using the standard keys such as 'Insert' or 'Delete'.

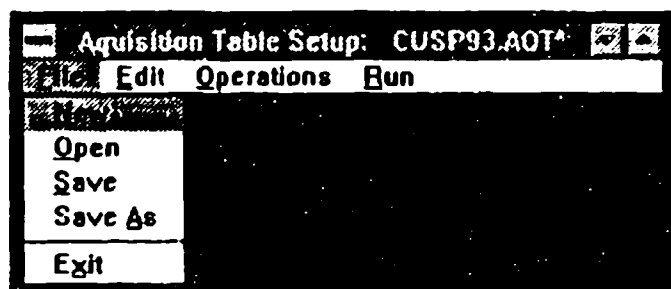
There are other events in the aq-list in the above example that do not come under the category of a default event. There are presently four other types of events defined in the MIPCTL application: SNAP, PAUSE, LOOP and Image Arithmetic. These allow you to perform other operations during an aq-cycle other than just acquiring data and will be discussed in detail in the following pages. As the software evolves, there will be many other operations that the user may want to do during an aq-cycle. Section 6.8 describes in detail all the programming steps necessary to add these additional functions to the acquisition software of MIPCTL.

Acquisition Tables:

Acquisition tables are ASCII text files stored on the hard disk, and called up when the **S**etup menu item is selected from the MIPCTL menu. The Acquisition table stores all the information pertaining to an acquisition session. When opening up the Acquisition window, MIPCTL looks for the last acquisition table that was used in the acquisition directory. These parameters are saved in the file KEOCCD.INI in directory c:\windows. This file is discussed in more detail in Section 5.3.

The currently opened acquisition table is displayed in the Acquisition Window title. In the above example, the table open was titled CUSP93.AQT. Acquisition tables have the default extension of *.AQT, but this is not required. The '*' at the end of the file name indicates that there have been changes made in the file since it was last opened or saved. If a new file is opened, or this file is closed, MIPCTL will automatically prompt you as to whether or not you want to save these changes.

These tables can be created, opened, modified and saved from within the Acquisition window by using commands in the **F**ile menu shown below:



New: Creates a new empty table. The first default aq-event can be added using the currently selected parameters by either modifying the parameters or by typing the 'Insert' key. The new table's title is listed as <New Table> and once it has been modified will be displayed as <New Table>*.

Open: uses the standard Windows API to open an already existing aq-table. The dialog box will display all files with extension *.AQT in the currently defined Acquisition Table directory.

Save: allows you to save the currently active acquisition table. If the name is already defined, the acquisition table is saved and the title is refreshed to reflect it's state. If the table is a <New Table>*, the Save As... dialog function will be executed.

Save As: prompts you for a name of a new acquisition table, and saves it in the currently selected directory. The new name is refreshed into the aq-window title.

Exit: is the standard Windows API command to close the acquisition window. This can also be done by double-clicking on the close box in the upper left hand corner of the window. Exiting the Acquisition window, saves the current acquisition table if necessary and updates the information in KEOCDD.INI to reflect any changes.

Acquisition Table Format:

The acquisition table is stored on disk in a text format and can be viewed with any text editor. A new (or modified) acquisition table could be created this way. The acquisition table defined in the above example looks like:

```

; AQUISITION SETUP INFO v2.1
; Written to: CUSP93.AQT
;   On: Tue Jul 27 11:55:53 1993
;
Equipment:
Filter 1 [ 4278]
Filter 2 [ 4865]
Filter 3 [ 5577]
Filter 4 [ 6300]
Filter 5 [ 7776]

Location [SRI Site, Sondestrom]
Comment [CUSP Campaign 93]
Cycle Time [30]
Field of View [180]

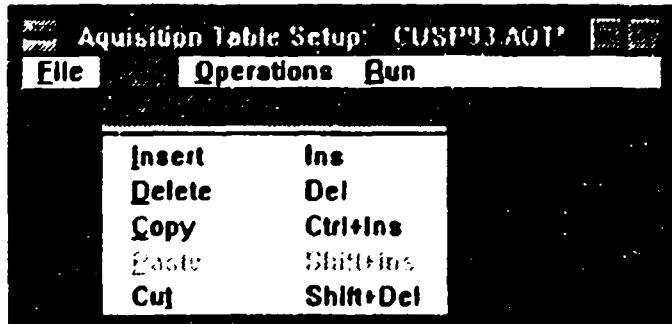
;
; Aquisition Table:
; FILT GAOI EXPOS INTEN MIN  MAX REC? DFS?
;-----
  1  322  10.0   2   0 4095  0  0
  4  326   3.0   2   0 4095  0  0
 -2  326  32.2  322   0   0   5  0
 -6   50   0.0   2   0 4095  0  0
 -7   3   0.4   2   0 4095  0  0
  5  326   5.0   2 100 4000  1  0
 -5  326  33.0   2 200 3000  0  0

```

Figure 5.4 -- Acquisition Table Text File Example

The acquisition table has a header that gives the version number of the acquisition table format software, the acquisition table's file name, the date and the time that the table was written. Next, the equipment information is stored: Filter values, the location and comment strings (discussed above), the Cycle time and the Field-of-View of the lens used during the acquisition cycle. These acquisition tables are useful also for keeping records of what different experiment configurations were used. In the above example, the CUSP experiments in 1993 in Sondestrom at the SRI Site, the filters were configured as 4278, 4865, 5577, 6300, 7776 Angstroms. The cycle time was 30 seconds and the fisheye lens (180 degree Field-of-View [FOV]) was used in the experiments.

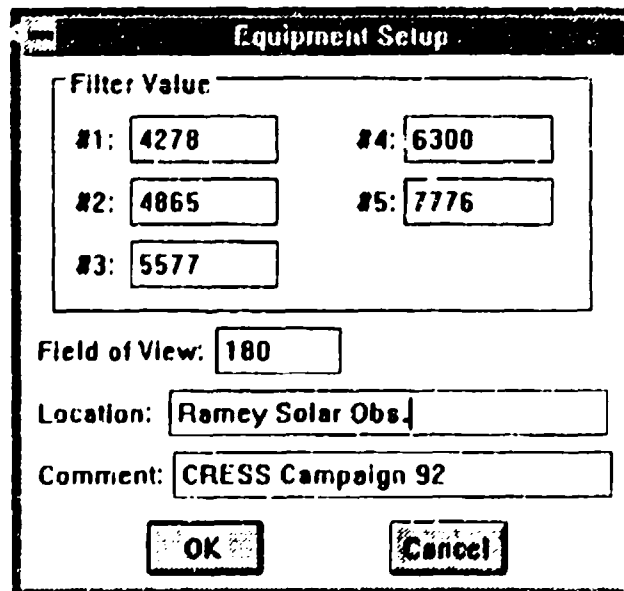
Next comes the list of aq-events. These events are a little cryptic as they are translated when read back into the acquisition window. However, from a programmer's point of view, this information could be useful.



The Edit Menu:

Insert, Delete, Copy, Paste, Cut: The Edit menu allows you to use the standard Windows GUI commands to cut, paste, copy, insert and delete events in the aq-list. These commands work like any standard Window's listbox. To learn more about the functionality of these commands refer to the Windows Documentation (or better yet, experiment with them!).

Equipment: puts up a dialog box that allows the user to change the system parameters and camera configuration.



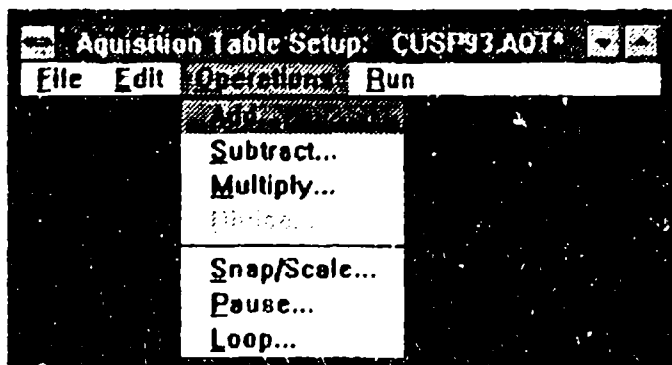
Filter values can be any text up to 8 characters long, but are typically just 4 characters representing the filter wavelength in Angstroms. If you wanted to be more informative, you could, for example, label a filter: 'OI: 6300' where OI is the standard notation for the atomic oxygen line.

The field-of-view edit field (FOV) represents the field of view of the lens currently installed on the camera. Refer to the instrument's manual for the available lenses and their FOV's for the specific instrument. This can be anywhere up to three characters (0 - 180).

The location string is a string up to 25 characters long that records the location of the instrument at the time of the data acquisition. The comment string is a string up to 75 characters long that records any other acquisition specific information that would be helpful for the future identification of the data. A typical comment string would hold the experiment's name such as the CRRES, RODEO or CUSP campaigns.

The Operations Menu:

The Operations Menu allows the different type of operations to be added as entries to the aq-list. These operations are added to the event list by selecting the appropriate menu item from this menu. Once the event has been inserted into the aq-list, it can be modified or viewed by selecting that event from within the aq-list. 'Operation' events can be inserted, deleted, cut and pasted in the same way as any other event in the aq-list.



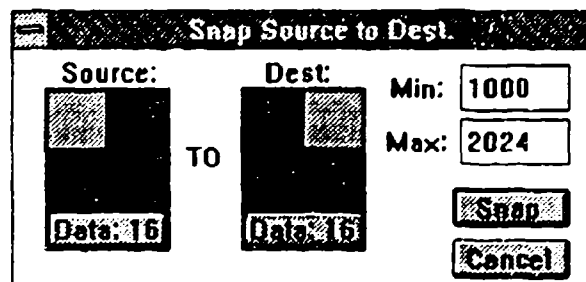
The first four operations that can be added to the aq-list are arithmetic operations. These operations are executed on the AFG board hardware and are therefore done in 'real-time'

(<16msec). The dialog box is exactly the same as the image math dialog box from the Analyze menu discussed in Section 5.3.5. The math is limited however, by the hardware, in the same way as discussed in Section 5.3.5. The present version of Imaging Technology's ITEX-AFG v2.2-2, does not support the hardware divide function. Therefore, as of this software release, a divide during the acquisition cycle is not permitted. Once an arithmetic operation has been entered into the list operation, the event string will be updated to look something like:

5 ADD: DA:LR16 = DA:UL16 + DA:UR16

This represents the operation that will be executed during event #5 of the acquisition cycle. "Add the images in DA:UL16 and DA:UR16 and store the result in DA:LR16".

Snap/Scale: allows an image to be snapped to another GAOI and scaled through the input LUT in the same way the the Stretch LUT operates. The min/max values represent the minimum value that gets mapped to zero, and the maximum value that gets mapped to 4095 (the Input LUT is 12 bits):

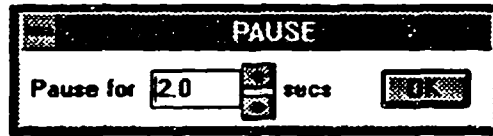


In the above example, the values 1000 to 2024 of the source image DA:UL16 get mapped to 0 to 4095 in the destination image DA:UR16. *The upper 4 bits of the image are unchanged. (Note: the images coming from the cameras are 12 bit images. Normally during acquisition, the upper 4 bits are not used.)* The event string in the aq-list will now appear as:

7 SNAP: DA:UL16 to DA:UR16 (1000,2024)

"The 7th event in the acquisition cycle will snap a copy of the image in DA:UL16 to DA:UR16 remapping the values 1000 --> 2024 to 0 --> 4095 (thus increasing the contrast of the image).

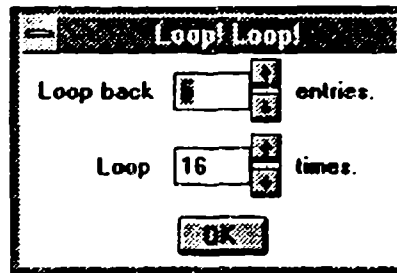
Pause: allows the user to let the event wait for a certain amount of time. This is useful for timing purposes and to coordinate inner-loops within the acquisition cycle. The dialog box looks like:



This dialog box tells the event to wait two seconds and then start acting on the next event in the aq-list. The event string would look like:

8 **Pause: 2.0 secs**

Loop: allows the user to loop back within the aq-list a certain number of times. This allows multiple loops within the acquisition cycle which gives the user the ability to write long complicated acquisition cycles. The dialog box is very straight forward:



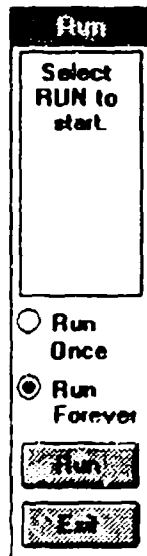
The Loop back feature will only allow you to loop back to the first entry. The entry string will represent this as:

9 **LOOP back 5 entries 16 times**

The **R**un menu:

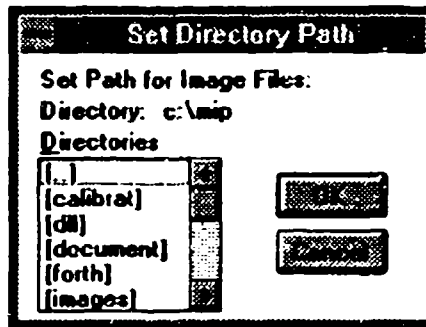
The Run menu allows the user to actually execute an acquisition cycle or an individual event in that cycle.

Table, Entry: starts the execution of the whole acquisition table or the presently selected acquisition entry. When either of these menu items is selected, the acquisition setup window is hidden and a new "Run" window is opened in the upper-right hand corner of the screen:



The user can now select whether to run through the table (or entry) once or whether to run continuously, by selecting the appropriate button. Once this is selected, the RUN button is hit to actually start the acquisition session. The RUN button will turn into a PAUSE button to pause the execution. The EXIT button will terminate the acquisition cycle, and return to the acquisition setup window. During execution of the acquisition cycle, status messages will appear in the Run window, letting the user know the current operation in the acquisition cycle.

Set Path: allows the user to select the directory where images are to be archived during the acquisition cycle. Only those data-events with the `rec` flag selected will be recorded to a file in this directory.



A default file name will be given to images during the acquisition cycle with the format:

YYMMDDHH.NNN where

YY = year

MM = month

DD = day

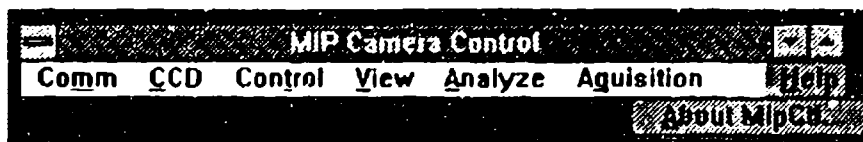
HH = hour

NNN = the number of the image taken during the hour.

For example, the image 92070409.156 would be the 156th image take during the hour of 0900 on July 4th, 1992. For consistency, all data should stored in UT or Universal Time. To do this, set the computer's clock to UT time from Window's *Control Panel*.

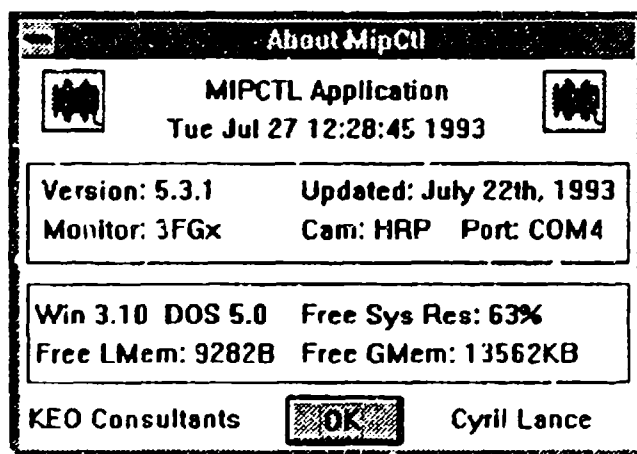
Display Image, Display Quadrant: allows the user to decide whether they would like the currently active image to be displayed soley on the monitor, or whether the whole quadrant that the image is in should be displayed. Selecting this menu item, toggles the option back and forth between Image and Quadrant.

5.3.8 The Help Menu



About MipCtl: The **About** dialog box is a helpful tool of the MIPCTL application. It is dynamically updated to give information on both the MIPCTL application's environment and Windows 3.1's environment. The About box displays the current date and time which

is useful for checking against a known time source. If the time has drifted or needs to be reset, this can be done via the Windows 3.1 Control panel (in menu MAIN).



The About box also displays MIPCTL's software version and the date this software was last updated. This is useful for checking image header information and making sure the instrument has the most recent software update.

The monitor, camera head, and COMM port currently selected (and set in KEOCCD.INI) are displayed. In the above case, the software was run using an NEC MultiSync 3FGx monitor, the HA ARP camera head, and COM4 for a communications port.

Finally, the About box displays information about the Windows environment. Both the Windows and DOS version numbers are displayed and the percentage of system resources currently available. Next, the amount of available Local Memory and Global Memory are displayed. To fully understand what these parameters are, refer to the Windows documentation. However, these parameters are important to check and make sure that the Windows environment and the MIPCTL application are behaving properly. The above values are typical.

If the MIPCTL application starts running slowly, and windows take a long time to draw, something is probably corrupting the Windows environment. To check and see the affect of the MIPCTL application, the user can look at the system resources by looking at this dialog box and then close the MIPCTL application.

Once the application is closed, the user can check the system resources by using the **About...** dialog box from Window's Program Manager window to see the difference in system resources and hence how much of the system environment **MIPCTL** was using. These features are most useful for debugging in the programming environment, and are not typically needed for the use of **MIPCTL**.

5.4 KEOCCD.INI: System Initialization

The KEOCCD.INI file follows the standard Windows 3.1 API for maintaining application specific initialization information. This file is kept in the windows directory:

```
C:\Windows\
```

This file is a standard text file and can be viewed with a text editor just like any Windows 'INI' file (such as WIN.INI and SYSTEM.INI). A typical KEOCCD.INI file is shown in Figure 5.5.

```
[Camera Settings]
Gain=0
Binning=1
Camera=HRP

[System]
Zoom=100
Justify=200
Display=15
Port=COM4
Monitor=3FGx

[CCD Aquisition]
AqtPath=C:\MIP\MIPCTL\
ImgPath=c:\mip\calibrat
LastTable=CUSP93.AQT
```

Figure 5.5 -- KEOCCD.INI Text File Example

The first heading [**Camera Settings**] gives the initial settings of the camera head. **Gain** sets the camera analog gain before it's conversion to digital information. This controls the

dynamic range and sensitivity of the instrument. Gain values can be 0, 1, or 2 corresponding to HI, MID, and LOW.

Binning can be either 1 or 2 and correspond to the Hi and Lo Resolution images (1x1 binning verses 2x2 binning).

Camera corresponds to which camera head is being used. The current heads available are MIP (MIP) or HRP (HAARP). It is important to keep track of which instrument is collecting data as the flat-field, calibration, and orientations are different for the different instruments.

The second heading [System] sets the MIPCTL application's system parameters and stores the status of the system as it was last used:

Zoom determines which zoom factor was used on the AFG board and sets the current zoom to that value. AFG allows zooming factors of 1, 2, 4, and 1/2. The numbers stored in KEOCCD.INI do not directly correspond to these values but rather to their representation in the program.

Justify determines the justification of display and can be set to top, center and bottom. Again, the numerical values in KEOCCD.INI correspond to the program's representation of these values.

Display sets which image is currently displayed as the top left hand image. In AFG terms, this sets the Pan and Scroll of the display. Again, the numerical values in KEOCCD.INI correspond to the program's representation of these values.

Port determines which valid Windows communications port is used to communicate to the camera. The valid entries are COM1, COM2, COM3, COM4. Currently, the HAARP hardware is setup for the use of COM4.

Monitor determines what monitor is connected to the computer system. This is important as it affects the screen calibration between AFG pixels (not linear in space) with the VGA pixels (see Section 6.5). The two monitors presently defined for the system are MIP's "3D" monitor (the NEC 3D 14" MultiSync) and HAARP's "3FGx" (the NEC 3FGx 15" MultiSync).

The values in KEOCCD.INI are usually maintained by the program itself. The two parameters that should be changed manually using the text editor are the Camera (MIP or HRP) and the Monitor (3D or 3FGx). These parameters can be checked when running MIPCTL by using the About MIPCTL... menu command discussed in Section 5.3.8.

Occasionally, such as during a system crash, KEOCCD.INI can be corrupted (or even lost). When this happens, use the text editor to correct the corrupted variables such as:

```
Monitor = ckjoife      -->   Monitor = 3FGx
```

If KEOCCD.INI has been destroyed completely, create a new one in the directory C:\Windows\ and copy the above text from the example KEOCCD.INI tailoring the entries as needed. Then restart the MIPCTL application and check that it is working correctly.

5.5 Notes on AFG Failure

If it appears that there are problems with the AFG board, it may be a software problem with the ITEX drivers. If problems arise, there are several things that you can try to unlock the system. The following is a step through of some things that can unlock the board. You may try all or some of the following.

To see if there is a problem, you can first just exit whatever program you are using to talk to the AFG (such as MIPCTL or INTRP) and then try to restart it. If the AFG board driver is locked up somehow, you will get an error message during the initialization of the board that will look something like:

```
TIGA Error ... 07EH....Couldn't ...
```

Exit your program (if it didn't exit automatically), and enter Imaging Technology's board debugger utility DX. If in DOS, go to directory ADGDX and type DX:

```
C:> cd \afgdx  
C:> dx
```

Or if you are in windows, just double click on the DX Icon in the AFG Window.

The DX software will prompt you for a configuration file. Type:

KEO

after which DX will read this file and set up the board and return a prompt.

Type the following sequence of commands waiting for a prompt before going to the next command:

```
>init           ; Initializes the AFG Board
>extended       ; Gives you the extended commands of DX
>test 1         ; resets all the registers on the AFG board
>init
>swrst = 1      ; Starts a software reset
>swrst          ; Completes a software reset
>exit
```

It is usually unnecessary to do a "test 1", but this just makes sure your hardware is running correctly. "SWRST = 1" and "SWRST" must be done together and it executes a software reset on the board.

Once this is done, you can also try and reload the TIGACD TSR to see if that had been corrupted in any way. From DOS, type:

```
tigacd -u
tigacd
```


Chapter 6 Programming Details

6.1 ITEX Image File format

Images saved to disk by the MIPCTL application are stored in the ITEX Image File format. Details are provided in Appendix A of the ITEX-AFG Software Manual provided by Imaging Technology. An outline of the image format is provided here for convenience.

An Image File has the following byte format:

<u>Bytes</u>	<u>Contents</u>
0-1	Characters 'IM' indicate this is an image file
2-3	Comment Length
4-5	Width of image in pixels
6-7	Height of image in pixels
8-9	Coordinates of original X-axis position (horizontal)
10-11	Coordinates of original Y-axis position (vertical)
12-13	File type flag: 0 -- EIGHT_BIT 1 -- COMPRESSED 2 -- SIXTEEN_BIT
14-63	Reserved
64 -- nnn	Comment Area -- variable length; 200 bytes maximum
nnn+1 -- End	Data Area: one byte/pixel (8 Bits) or two bytes/pixel stored in row order, from the top to the bottom of the image.

Figure 6.1 -- ITEX Image File Format

Data is stored in the Intel byte format: Least significant byte first, Most significant byte second. (This is the opposite of 68000 based systems: i.e. ASIPLI Multibus, MacIntosh systems.)

6.2 Image Information and the Image Comment

The comment field of the Image File is used to store image information. The image information is a 'snapshot' of the imager when the image was acquired. Images stored using the MIPCTL acquisition system will automatically have image information stamped into the comment field. Other images, created by other applications or by saving an image with no image information structure, will have a nulled comment field. The current software version (v5.3.2) stamps the image information into the comment field with the following format. Refer to Section 6.9 for a chronological version history of the comment field format.

```
KEO5.3 HRP:22 Jul 93 09:23:48 G[1]W[ 4278]E[ 15]V[180]C[63]T[189]I[100]F[140]B[23]
-1-1- Ramey Solar Observatory CRRES 93
-\127774195\190"
```

Figure 6.2 -- Image Information Comment String

This comment string is 200 bytes long including a termination character. The first 6 characters: **KEO5.3** identify this comment as a KEO-created comment from software version 5.3. This software version can then be used to translate the following characters using Section 6.9.

HRP: identifies the camera head used to acquire the image and next comes a text version of the date and time of acquisition: **22 Jul 93 09:23:48**. This information is stamped into the image comment so that anyone dumping the image file, will be able to easily identify this information.

Next comes a string of system parameters in the format **X[NNN]** where **X** is a one character identifier for the parameter and enclosed in square brackets is an ASCII representation of the parameter's value. This is not as space efficient as storing the information in binary format, but has the advantage of being easily readable without any software translation (e.g. a user can use a simple file dump). The parameters are taken directly from the image's information structure:

G = Intensifier Gain (1 byte)	W = Filter Wavelength (8 bytes)
E = Exposure Time (3 bytes)	V = Field of View (3 bytes)
C = CCD Temp. (3 bytes)	T = TEC Temp. (3 bytes)
I = Intensifier Temp. (3 bytes)	F = Filter Wheel Temp. (3 bytes)
B = Int. Brightness (3 bytes)	

The next 5 characters of the string (-1-2-) indicate the values of the Camera Gain (cGain = 1 [Mid-Gain]) and the Binning factor (cBin = 2x2). The next 26 characters are reserved for the Location string (25 char long) with leading spaces (one extra) followed by 76 characters for the Comment string (75 char long) with leading spaces (one extra).

Finally, in the above example are the characters -\127M)_%\0. These are the last 7 characters of the comment string. The first character '-' is a delimiter between the comment string and the binary time variable that follows in the next 5 bytes. The last character is the null character '\0' that terminates the string.

The binary time is encoded into the comment field so that software will readily be able to identify the time using the Unix Time Format supported by C. The first byte is a status byte that identifies any bytes with value 0 in the four byte time variable. The 0 byte is then set to 127 to ensure that it does not prematurely null the string when it is written to the image file. This is described in more detail in Section 6.9.

6.3 Minimum Files needed to run MIPCTL

This section outlines the minimum files and their directory structure to run the MIPCTL application. This manual does not discuss the necessary files for the Imaging Technology AFG Board and ITEX software. Refer to the ITEX Release Notes v2.2-2 for this information.

MIPCTL files:

C:\WINDOWS\KEOCCD.INI	; Initialization file
C:\WINDOWS\GAOI.DLL	; Gaoi Control DLL file for dialog boxes
C:\WINDOWS\GSW.DLL	; Graphics Server DLL file for plotting Wins
C:\VISNPLUS\CONFIG\MIP.CAM	; Camera head definitions for ITEX code
C:\VISNPLUS\CONFIG\KEO.CNF	; Configuration definitions for ITEX code
C:\VISNPLUS\CONFIG\KEO.MON	; Monitor definitions for ITEX code

Files in the same directory (usually \MIP\MIPCTL):

MIPCTL.EXE	; Executable usually in \MIP\MIPCTL
MIP1.FNT	; TIGA large font: same dir as MIPCTL.EXE
MIP2.FNT	; TIGA small font: same dir as MIPCTL.EXE
TEMPTURE.LUT	; Temperature LUT -- will be created if none
VGA2AFGLUT	; VGA 2 AFG coordinates LUT -- will be created if none

6.4 Files and Directory Structure for Program Development

This sections describes all the files needed (as of v5.3.2) for program development of the MIPCTL application and associated DLL's. The directory structure is flexible and can be changed, but care must be taken to make sure that paths are changed in the source code to reflect these changes if the *structure* of the directories is changed.

The MIP development code is in the directory C:\MIP:

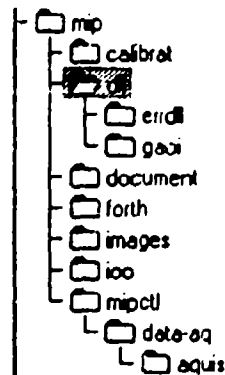


Figure 6.3 -- MIPCTL Directory Structure

The directories in MIP hold the following information:

\CALIBRAT	; Calibration images: not necessary for development
\DLL\ERRDLL	; An Error Logging DLL: not implemented in v5.3.2
\DLL\GAOI	; The GAOI Custom Control DLL: Necessary
\DOCUMENT	; Documentation for HAARP: not necessary
\FORTH	; The FORTH and DSP56001 code for the Adv. Tech controller board. Not necessary for MIPCTL program

; development, but necessary for development of the control
 ; electronics system
 \IMAGES ; Images stored on disk: not necessary for development
 \OO ; Image Overlay Object Code: Necessary
 \MIPCTL ; MIPCTL.EXE development code: Necessary
 \MIPCTLDATA-AQ ; Acquisition development code: Necessary
 \MIPDATA-AQ\AQUIS ; Acquisition dlg resources: Necessary

For the directories that are necessary for program development of the MIPCTL.EXE application, the following files are required:

GAOIDL Development: development of the GAOI custom control DLL:

Directory: C:\MIPDLL\GAOI

gaoi.DEF ; Definition file for the DLL executable
 gaoi. ; External NMAKE file for building DLL
 LibEntry.obj ; DLL entry assembly code
 gaoi.DLL ; Final DLL: copied into Windows directory
 gaoi.LIB ; Final Library file: copied into c:\mip\mipctl
 gaoi.Res ; Compiled resource file for DLL using Resource Compiler
 gaoi.c ; DLL C code: File #1
 gaoi2.c ; DLL C code: File #2
 gaoi.rc ; Resource file
 gaoi.h ; DLL function definition hdr file: copied into c:\mip\mipctl
 gaoi.dlg ; Custom Control Dialog box
 dialog.h ; Dialog box IDD definition header file
 quadsel.h ; Quad Select Dialog box IDD definition header file
 quadsel.dlg ; Quad Select Dialog box
 quadsel.res ; Resource file for dlg box create from Dialog Editor

Image Overlay Object Development:

Directory: C:\MIP\OO

ioo.c ; Image Overlay Object Code

ioo.h ; Image Overlay Object function definition header file
 ioownd.c ; IOO Window Code
 ioownd.h ; IOO Window function definition header file

MIPCTL.EXE Program Development: C source code

Directory: C:\MIP\MIPCTL

errors.c	2030	5/4/93	12:02:30pm
filedlg.c	16008	7/15/93	5:55:42pm
mipanize.c	71440	7/20/93	1:10:10pm
mipccd.c	12073	7/27/93	3:37:12pm
mipcntl.c	15353	7/23/93	12:00:30pm
mipcomm.c	15206	5/10/93	2:56:04pm
mipdispl.c	41545	7/23/93	11:54:30am
mipinfo.c	41008	7/16/93	1:31:34pm
mipinit.c	32571	7/23/93	11:58:28am
mipmain.c	5080	5/13/93	9:32:44am
mipmath.c	9511	5/13/93	9:56:20am
mipplot.c	82887	7/15/93	9:30:18am
mipwndpr.c	22235	7/23/93	12:01:52pm

errors.c ; Report errors to a message box handler
 filedlg.c ; handles file dialogs for Save/Restore Images
 mipanize.c ; handles functions for code in Analyze menu
 mipccd.c ; handles functions for code in CCD menu
 mipcntl.c ; handles functions for code in Controls menu
 mipcomm.c ; handles functions for communications to camera head
 mipdispl.c ; handles functions for code in Display menu
 mipinfo.c ; handles functions for image information and image files
 mipinit.c ; handles functions for system initialization
 mipmain.c ; WinMain function for MIPCTL.EXE
 mipmath.c ; handles functions for image arithmetic
 mipplot.c ; handles functions for plotting windows and dlg boxes
 mipwndpr.c ; Window procedure for main window

Directory: C:\MIP\MIPCTL\DATA-AQ

□ aqentry.c	17192	1/3/93	3:59:46pm
□ aqfiledg.c	11727	5/13/93	12:06:20pm
□ aqimgmth.c	28534	5/13/93	12:10:40pm
□ aqrun.c	34755	7/23/93	12:04:52pm
□ aqsetup.c	42047	6/2/93	9:41:56am
□ aqtable.c	7323	12/11/92	1:31:52pm
□ aquis.c	1123	8/7/92	10:50:02am

aqentry.c ; handles functions for the acquisition entry
aqfiledg.c ; handles functions for acquisition table file i/o
aqimgmth.c ; handles functions for image math op's during acquisition
aqrun.c ; handles functions for running acquisition table
aqsetup.c ; handles functions for the setup window
aqtable.c ; handles functions for the table of event entries
aquis.c ; general definitions for acquisition window code

MIPCTL.EXE Program Development: Header Files for C Code

Directory: C:\MIP\MIPCTL

ccdcmds.h ; header for CCD command characters
errids.h ; header for error string ID numbers
library.h ; header for file library #includes
mipctl.h ; function definitions and system #defines
mipextrn.h ; external variable declarations
mipglbis.h ; global variable declarations: used in mipmain.c
miphead.h ; general header file used for most C code
gaoi.h ; header file for GAOI custom control functions

Directory: C:\MIP\MIPCTL\DATA-AQ

aquidds.h ; header file for aqsetup window control idd's
aqsetup.h ; header file for aqsetup window functions
aqtable.h ; header file for aq-table functions
aquis.h ; header file for acquisition structures
aqfile.h ; header file for aq-table file i/o functions

MIPCTL.EXE Program Development: Resource files for dia'og boxes

Resource files created by *Microsoft C7's* Dialog Editor

Directory: C:\MIP\MIPCTL

about.res	; about dialog box
afgclear.res	; clear afg memory dialog box
ccdset.res	; CCD Settings dialog box
clearovl.res	; clear IooWnd graphics dialog box (overlay)
cursor.res	; Cursor dialog box
disimage.res	; Display Image dialog box
FileOpen.res	; Restore Image 'open' dialog box
FileSave.res	; Save Image 'save' dialog box
Histogram.res	; Get a Histogram dialog box
imaginfo.res	; Image Information dialog box
ImgMath.res	; Image Arithmetic dialog box
labelim.res	; Label Image with ImInfo dialog box
loop.res	; Loop operation (AQ) dialog box
LUTSelct.res	; Select an Output/Input LUT dialog box
ManlInfo.res	; Manual Dimensions for plot windows dialog box
Observe.res	; Observe/Dark dialog box
pause.res	; Pause operation (AQ) dialog box
PlotArb.res	; Get Arbitrary Plot dialog box
PltParam.res	; Get Row/Column Plot dialog box
quadrant.res	; Quadrant select dialog box
SelctROI.res	; Select a ROI dialog box
Settings.res	; Comm Settings dialog box
Shutters.res	; Shutters control dialog box
SnapGaoi.res	; Snap GAOI Utility dialog box
SndMip.res	; Send CCD Command dialog box (shrunk)
Stats.res	; Statistics dialog box
Stretch.res	; Stretch LUT dialog box
Tempture.res	; Temperature display dialog box
video.res	; Video attributes dialog box

Directory: C:\MIP\MIPCTL\DATA-AQAQUIS

aqentry.res	; AQ -- entry window dialog box (modeless)
aqequip.res	; AQ -- Set Equipment dialog box
aqrun.res	; AQ -- run dialog box
setpath.res	; AQ -- Set Image path dialog box

MIPCTL.EXE Program Development: Header files for dialog boxes

Header files created by *Microsoft C7's* Dialog Editor

Directory: C:\MIP\MIPCTL

about.h	; about dialog box
afgclear.h	; clear afg memory dialog box
ccdset.h	; CCD Settings dialog box
clearovl.h	; clear IooWnd graphics dialog box (overlay)
cursor.h	; Cursor dialog box
disimage.h	; Display Image dialog box
displ.h	; Definitions for display im/quad boxes
filedlg.h	; image save/restore dialog definitions
Histogram.h	; Get a Histogram dialog box
irnaginfo.h	; Image Information dialog box
ImgMath.h	; Image Arithmetic dialog box
labelim.h	; Label Image with ImInfo dialog box
loop.h	; Loop operation (AQ) dialog box
LUTSelct.h	; Select an Output/Input LUT dialog box
ManlInfo.h	; Manual Dimensions for plot windows dialog box
MipCntrl.h	; Filterwheel and Intensifier control dialog box
Observe.h	; Observe/Dark dialog box
pause.h	; Pause operation (AQ) dialog box
PlotArb.h	; Get Arbitrary Plot dialog box
PltParam.h	; Get Row/Column Plot dialog box
quadrant.h	; Quadrant select dialog box
SelctROI.h	; Select a ROI dialog box
Settings.h	; Comm Settings dialog box

Shutters.h	; Shutters control dialog box
SnapGaoi.h	; Snap GAOI Utility dialog box
Stats.h	; Statistics dialog box
Stretch.h	; Stretch LUT dialog box
Temptrure.h	; Temperature display dialog box
video.h	; Video attributes dialog box

Directory: C:\MIP\MIPCTL\DATA-AQ

aqentry.h	; AQ -- entry window dialog box (modeless)
\aquis\aqequip.h	; AQ -- Set Equipment dialog box

MIPCTL.EXE Program Development: Dialog files for dialog boxes

Dialog files created by *Microsoft's* Dialog Editor

Directory: C:\MIP\MIPCTL

about.dlg	; about dialog box
afgclear.dlg	; clear afg memory dialog box
ccdset.dlg	; CCD Settings dialog box
clearovl.dlg	; clear IooWnd graphics dialog box (overlay)
cursor.dlg	; Cursor dialog box
disimage.dlg	; Display Image dialog box
fileopen.dlg	; image open dialog box
filesave.dlg	; image save dialog box
Histogram.dlg	; Get a Histogram dialog box
imaginfo.dlg	; Image Information dialog box
ImgMath.dlg	; Image Arithmetic dialog box
labelim.dlg	; Label Image with ImInfo dialog box
loop.dlg	; Loop operation (AQ) dialog box
LUTSelct.dlg	; Select an Output/Input LUT dialog box
ManlInfo.dlg	; Manual Dimensions for plot window's dialog box
MipCntrl.dlg	; Filterwheel and Intensifier control dialog box
Observe.dlg	; Observe/Dark dialog box
pause.dlg	; Pause operation (AQ) dialog box
PlotArb.dlg	; Get Arbitrary Plot dialog box

PltParam.dlg	; Get Row/Column Plot dialog box
quadrant.dlg	; Quadrant select dialog box
SelctROI.dlg	; Select a ROI dialog box
Settings.dlg	; Comm Settings dialog box
Shutters.dlg	; Shutters control dialog box
SnapGaoi.dlg	; Snap GAOI Utility dialog box
SndMip.dlg	; Dialog Box for Sending Command to camera
Stats.dlg	; Statistics dialog box
Stretch.dlg	; Stretch LUT dialog box
Tempure.dlg	; Temperature display dialog box
video.dlg	; Video attributes dialog box

Directory: C:\MIP\MIPCTLDATA-AQ\AQUIS

aqentry.dlg	; AQ -- entry window dialog box (modeless)
aqequip.dlg	; AQ -- set equipment dialog box
aqrun.dlg	; AQ -- run dialog box
aqtable.dlg	; AQ -- table dialog box (modeless)
fileopen.dlg	; AQ -- open aq-table dialog box
filesave.dlg	; AQ -- save aq-table dialog box
setpath.dlg	; AQ -- set image path dialog box

MIPCTL.EXE Program Development: Resource Files

Directory: C:\MIP\MIPCTL

mnarrdn.bmp	; Min Arrow (down) bitmap for LUTStretch
mnarrup.bmp	; Min Arrow (up) bitmap for LUTStretch
mxarrdn.bmp	; Max Arrow (down) bitmap for LUTStretch
mxarrup.bmp	; Max Arrow (up) bitmap for LUTStretch
camera.cur	; Camera Cursor
crsshair.cur	; Crosshair Cursor
mip1.fnt	; TIGA font for 1x1 binning labeling
mip2.fnt	; TIGA font for 2x2 binning labeling
errids.h	; Header file for error string table
12bitcol.ico	; Icon for 12 bit psuedo-color LUT

12bitlin.ico	; Icon for 12 bit linear monochrome LUT
8bitlin.ico	; Icon for 8 bit linear monochrome LUT
camcntrl.ico	; MIPCTL ICON for application
plotwnd.ico	; Icon for minimized plot window
strehlut.ico	; Icon for LUTStretch Dlg
errstrng.rc	; String table for "Error" messages

MIPCTL.EXE Program Development: _____ Compilation files

Directory: C:\MIP\MIPCTL

Mipctl.def	; Definition file for Windows application
Mipctl.exe	; Final Executable Application: MIPCTL
Gaci.lib	; GAOI control link library for LINKING application
Mipctl.lnk	; Link control file for LINKING application
Mipctl.mak	; NMAKE .mak file for debug version: MIPCTL.EXE
Miprel.mak	; NMAKE .mak file for release version: MIPCTL.EXE
Mipctl.map	; MIPCTL map file of executable file MIPCTL.EXE
Mipextrn.pch	; Precompiled header file for Compile session re-created ; during a REBUILD from Visual C++
Mipctl.pif	; Windows .PIF file
Mipctl.rc	; Resource File
Mipctl.res	; Compiled resource file using Resource Compiler

Files created by MIPCTL.EXE

Directory: C:\MIP\MIPCTL

*.aqt	; Acquisition table files (ASCII)
*.plt	; Plot Files (ASCII)
*.img	; Images (Binary)
tempreture.lut	; Temperature LUT for ADC conversion (ASCII)
vga2afg.lut	; VGA coordinates to AFG coordinates LUT (ASCII)

6.5 Monitor Calibration using the AFG board

The video from the VGA display card in the computer is *mixed* with the video output of the frame grabber card. Thus, the monitor can be thought of as two overlaid images. Depending on the Video mode set in the MIPCTL software (Section 5.3.4), a combination of the two displays will appear at any one time on the monitor. There is often a need to translate from a pixel location in the AFG video to a pixel location in the VGA (computer's) video signal and vice-versa.

An example of translating from AFG pixels to VGA pixels (AFG2Vga) would be to draw a line in the Image Overlay Window of AFG pixel locations x_1, y_1 to x_2, y_2 (IosWnd is in VGA video). In this case, we need to translate the AFG pixel locations to VGA pixel locations and draw at these pixel locations in the VGA screen.

An example of translating from VGA pixels to AFG pixels (Vga2AFG) would be to identify a pixel intensity at the present CURSOR location. Since the cursor is drawn in the VGA video, its location is given in VGA pixel coordinates. We would need to translate this point in VGA coordinates to its corresponding point in AFG coordinates and read this value to get the pixel intensity at the CURSOR location.

In order to do this, the monitor must be calibrated with the AFG board. This is done by drawing cross-hairs of known location into the AFG buffer (say every 100 pixels in x and y), and then positioning the cursor over these cross hairs and reading their positions. This calibration is different for the two monitors presently being used by KEO's cameras HRP and MIP. HRP presently uses an NEC 3FGx, and MIP presently uses an NEC 3D monitor. Both of these monitors have been calibrated at VGA resolution (640x480) but are capable of higher-resolutions. If higher-resolutions are desired, then new calibrations should be carried out. When initializing the MIPCTL application, the monitor configuration is looked at, and the appropriate translation calibration is selected.

The calibrations for the MIP imager using the NEC 3D monitor are:

Zoom Factor: x1	$X_{AFG} = 0.924856 * X_{VGA} - 7.745665$	$Y_{AFG} = Y_{VGA}$
Zoom Factor: x2	$X_{AFG} = 0.462174 * X_{VGA} - 4.155732$	$Y_{AFG} = Y_{VGA} / 2$
Zoom Factor: x4	$X_{AFG} = 0.231362 * X_{VGA} - 2.262211$	$Y_{AFG} = Y_{VGA} / 4$
Zoom Factor: x1/2	$X_{AFG} = 1.849 * X_{VGA} - 15.131$	$Y_{AFG} = Y_{VGA} * 2$

The calibrations for the HRP imager using the NEC 3FGx monitor are:

Zoom Factor: x1	$X_{AFG} = 0.94303 * X_{VGA} - 3.5756$	$Y_{AFG} = Y_{VGA}$
Zoom Factor: x2	$X_{AFG} = 0.47131 * X_{VGA} - 1.6803$	$Y_{AFG} = Y_{VGA} / 2$
Zoom Factor: x4	$X_{AFG} = 0.23560 * X_{VGA} - 0.8377$	$Y_{AFG} = Y_{VGA} / 4$
Zoom Factor: x1/2	$X_{AFG} = 0.1.8846 * X_{VGA} - 6.3846$	$Y_{AFG} = Y_{VGA} * 2$

These calibrations are "hard-coded" into the MIPCTL application and have been tested for consistency. Because of the limited resolution, there will be times when the translation between Vga2AFG or AFG2Vga will be one pixel off.

6.6 Commercial Software Installed on the HAARP Imager

This section will discuss the commercial software packages installed on the HAARP imager as delivered with this contract:

Qualitas 386Max Version 7.0

Directory: C:\386max

386Max is a DOS memory optimizer that restructures the DOS memory to allow more available memory space for applications in LO-MEMORY. **386Max** helps programs to run quicker due to less memory swapping, especially DOS programs. It is loaded during the boot-up of the computer and its affects are transparent to the user. If PIF's need to be created for DOS applications, the PIF editor from Qualitas provides a much more powerful tool than Windows 3.1 PIF Editor.

Installing **386Max** affects CONFIG.SYS, AUTOEXEC.BAT, SYSTEM.INI and WIN.INI.

Berkeley Systems AfterDark for Windows 2.0

Directory: C:\afterdrk

AfterDark is a screen saver that can be used under DOS or Windows 3.1. It is loaded during the bootup of the computer and can be reconfigured, disabled and enabled via the control panel which is accessed from the minimized **AfterDark** icon in the lower-left hand corner of the screen. The screen saver helps save the monitor from burn in.

Installing **AfterDark** affects AUTOEXEC.BAT, WIN.INI, and SYSTEM.INI.

Nu-Mega Bounds-Checker 1.00

Directory: C:\bchkw

Bounds-Checker for Windows is a debugging tool that checks your application for memory leaks, resource allocation problems, and Windows API parameter violations. An application is run from within BCHKW and a report of errors and other system information such as stack space and memory and resource usage are presented.

Installing **Bounds-Checker** affects SYSTEM.INI.

Central Point Backup for Windows v7.2

Directory: C:\cpbackup

Backup for Windows is a backup and restore utility that is used to archive the program development of MIPCTL.EXE. This utility automates the backup of projects. For HAARP backups, we have defined the HAARP-INC and HAARP-FU backups for 'full' or 'incremental' backups. More extensive backups of the hard-disk could be developed using this application.

Installing **Backup** affects SYSTEM.INI.

Cybernetics CY545

Directory: C:\cy545

CY545 is a communications DOS utility to talk to a CY545B Stepper Motor Controller chip (the chip that is used to control the Filter Wheel stepper motor). This utility is extremely useful for adjusting the rate parameters and re-programming the CY545's EEPROM. For more information, see the CY545 User's Manual.

Pinnacle GSW Graphics Server SDK v2.0

Directory: C:\gsw

GSW is a DLL that is used for plotting and charting routines. This is used by the MIPCTL application for all plotting windows and is crucial to the execution of the plotting features of MIPCTL. The Graphics Server GSW.EXE is launched by MIPCTL whenever there is a plot window opened. This server appears as an iconized window and handles all the messages and drawing of the plot windows. **GSW** has advanced plotting

features that give MIPCTL and the programmer for HAARP a library of routines that facilitate the development of plotting applications.

GSWDLL.DLL and **GSW.EXE** are installed in `c:\windows`. **GSW.H** is installed in `c:\msvc\include`, and **GSWDLL.LIB** is installed in `c:\msvc\lib`.

Lead Technologies LeadTools DLL v3.1

Directory: `C:\leadll`

LeadTools DLL is a DLL package that facilitates handling windows with images using all the major formats such as bitmaps, tiff, fits. The DLL provides window zooming, scrolling, rotation, contrast, brightness as well as archiving and restoring. This package was to be used to develop the handling of HAARP images in a VGA window as well as in the AFG video, to provide more features and capabilities. Lead Technologies also provides this DLL with an upgrade that includes compression capabilities.

LEADDLL.DLL, **FIXED.DAT** and **FIXEDYUV.DAT** are installed in `c:\windows`. **L_BITMAP.H**, **L_ERROR.H**, and **L_TOOLAP.H** are installed in `c:\msvc\include`, and **LEADDLL.LIB** is installed in `c:\msvc\lib`.

Symantec MultiScope Debugger v2.0.1

Directory: `C:\mscope`

MultiScope Debugger is a sophisticated debugger for the Windows 3.1 operating system. It replaces CodeView for Windows and has enhanced capabilities. MultiScope was used to debug the MIPCTL application before the installation of *Microsoft* VISUAL C/C+ which has it's own embedded debugger. While MSCOPE is much more powerful than the Visual C debugger, it was found not to be necessary for most purposes. MSCOPE has been left on the system in the event that it could become useful for future applications. It was also found that there is a problem running MSCOPE when using an application that uses the Graphics Server GSW. Neither company could find a reason for this incompatibility.

Installing MultiScope Debugger for Windows affects the SYSTEM.INI file.

Microsoft Visual C/C++ v1.00

Directory: C:\msvc

Visual C/C++ is *Microsoft's* latest C/C++ development environment and is the first truly Windows 3.1 development system from *Microsoft*. The MIPCTL application was initially developed using *Microsoft's* PWB v6.0 and then PWB v7. Both these systems, however, were DOS applications and were not very good and have been deleted from HAARP's hard-drive. Visual C/C++ has been found to be a much easier and robust development environment. *Microsoft's* C development environments were first chosen because Imaging Technology's ITEX-AFG software require the use of their compilers. ITEX-AFG has now evolved to the point of being a Windows DLL and is not compiler dependent, hence the choice of development environments is more flexible. Symantec and Borland also make good Windows C development environments (the Acquisition software for MIPCTL was actually developed under Borland). Visual C/C++ is being used in view of the historical development of MIPCTL.

Installing **Visual C/C++** affects AUTOEXEC.BAT and SYSTEM.INI.

APT ODESSA v1.26

Directory: C:\odessa

ODESSA is the Magneto-Optical Driver for the RICOH MO Drive. The actual driver is MOD.SYS and is loaded in the CONFIG.SYS file. There are several utilities such as MOD.EXE run with the correct switch from M.BAT that allows formatting and partitioning of MO Disks, FASTCOPY.EXE, BFORMAT.EXE and HDD.EXE which allow fast copying, background formatting, and SCSI hard-drive setup. ODESSA is necessary for the use of the MO drive. Once MOD.SYS is installed, the MO Drive is used just like any other installed drive in the DOS/Windows 3.1 operating system.

Installing **ODESSA** affects CONFIG.SYS.

Microsoft Source Profiler

Directory: c:\profiler

The **Source Profiler** is supplied with the *Microsoft* C development environment to check the performance of a C application.

Imaging Technology ITEX-AFG v2.2-2

Directory: c:\visnplus

ITEX-AFG is the core to programming with the AFG Image-Processing board supplied with the HAARP imager. All header files, link libraries, configuration files, debuggers, interpreters, and DLL executables are supplied in this directory. These directories are included in the PATH for proper development. In addition, the TIGA drivers are installed in this directory for communication with the GSP34010 graphics chip on the AFG board. An Interpreter (INTRP) to run ITEX commands without compilation is supplied with this package and is very useful for controlling the AFG board and for developing new applications.

Installing **ITEX-AFG** affects AUTOEXEC.BAT.

Microsoft WEP

Directory C:\wep

WEP is a collection of Windows 3.1 games that were delivered with the GATEWAYS 2000 computer. They have been left on the system and take up about 700K of disk space, but can be removed if desired.

Microsoft Windows 3.1

Directory C:\windows

Windows 3.1 is the operating system for the HAARP image processing system. Familiarity with the system is essential for productive use of the system. The software is installed on the HAARP computer in the default configuration and has been optimized for use with the MIPCTL application. **Windows 3.1** is started automatically on booting the computer at the end of execution of AUTOEXEC.BAT. If this is not desired, AUTOEXEC.BAT can be modified.

Installing **Windows 3.1** affects AUTOEXEC.BAT, and creates WIN.INI and SYSTEM.INI.

Delrina WinFax Pro v3.0

Directory: C:\winfax

WinFax Pro is a Windows 3.1 program to allow FAX sending and receiving. It has a complete selection of cover pages, and a custom cover page for KEO Consultants has been created. In addition, the PhoneBook has been filled with useful numbers relevant to

the development of the HAARP camera. WinFax can send and receive faxes in the background, thus allowing you to continue your work in the foreground. WinFax is started automatically and is set up for COM3 which is the Gateways TelePort Fax/Modem. In some cases, it may not be desired to always have WinFax running. In this case, just close the application using the minimized WinFax icon in the lower left-hand corner of the screen.

Installing WinFax Pro affects WIN.INI.

Microsoft Word for Windows 2.0

Directory C:\winword

Word for Windows is a powerful word-processor program and is used for all documentation development. Files with the extension .doc are typically created by Word.

Installing Word for Windows affects WIN.INI.

DCA CrossTalk for Windows v2.0

Directory C:\xtalk20

CrossTalk for Windows is a Windows 3.1 communications program and is setup to use the GATEWAYS TelePath Fax/Modem using COM3. This program is useful for electronic communication such as E-Mail and bulletin boards and file-transfers for data, and other information. Several modem configurations are already setup for use that contain commonly called systems.

Installing CrossTalk for Windows affects WIN.INI.

6.7 MIPCTL Programming Structures

This section discusses the programming structures used for creating the MIPCTL application, and is a useful reference for programmers interested in learning more about the software that runs the HAARP imager. This section can be ignored otherwise!

6.7.1 General Area of Interest: GAOI

GAOISTRUCT is used to access GAOI's on the AFG board that are predefined by the MIPCTL program. Using the GAOI structures discussed in Section 4.3.2, three variables

(**nQuad**, **nImage**, **nDepth**) hold the GAOI information while **nIndex** is the actual pointer in the AFG GAOI table used when communicating with the AFG board. (*Defined in MIPGLBLS.H*)

```
typedef struct
{
    short    nIndex;           // Index into AFG GAOI Table
    int     nQuad;           // Quadrant in Frame Buffer
    int     nImage;          // Image in Quadrant
    int     nDepth;          // Image Depth
} GAOISTRUCT;
```

6.7.2 Image Structure: IMAGESTRUCT

IMAGESTRUCT is the main structure used for any image stored in the AFG frame buffer. This structure contains pointers to the GAOI, the Image Overlay Window, and Image Overlay List, ROI, and the Image Information structure. MIPCTL creates a table of these structures that correspond to the predefined images discussed in Section 4.3.2. (*Defined in MIPGLBLS.H*)

```
typedef struct                               // IMAGESTRUCT: Image
Structure
{
    HWND    hWndOwner;           // Handle to the parent window
    HWND    hIooWnd;            // Handle to the Ioo window
    short   nGaoi;              // Ioo GAOI
    HIOO    hIoo;               // Handle to the image object list
    HIMINFO hImInfo;            // Handle to the image info header
    RECT    rROI;               // Rectangle for ROI
    WORD    flags;              // Flags for IooWnd
} IMAGESTRUCT, *pImage;
```

6.7.3 Plot Window Structure: PLOTINFO

The PLOTINFO structure is used to hold all the information necessary to create and maintain a plot window. Plot windows record the plotInfo index number in their window words to access this structure. The PLOTINFO structure for the plot window is filled when the plot data is first read from the AFG frame buffer. (*Defined in MIPGLBLS.H*)

```
struct plot {
    int         type;           // Plot type: PROW, PCOL, PARB, PHIST, PHIST_ROI
    short      nGaoi;          // GAOI data was taken from
    DWORD      rgbClr;         // RGB color of plot
    int        color;          // Plot color for AFG board drawing
    POINT      begPoint;       // Beginning point of plot IN GLOBAL UNITS
    POINT      endPoint;       // Ending point of plot IN GLOBAL UNITS
    long       numPoints;      // Number of points in the plot
    HANDLE     hPlot_Data;     // handle to plot data
    HANDLE     hWnd_Data;     // handle to window data
    HANDLE     hIoo;           // handle to the Ioo for the plot
    HIMINFO    hImInfo;        // Handle to the image info header
} plotInfo[NUM_PLOTS_MAX];
```

6.7.4 Image Information Structure: IMINFOSTRUCT

The IMINFOSTRUCT is used to hold all the pertinent instrument information that was used for the image to which the structure is linked. This information is used to create the image information header that is written into the image file when saved to disk and when image labelling operations are executed. (*Defined in MIPGLBLS.H*)

```
typedef struct {
    long       lImageTime;     // Pointer to a time structure ( 4 Bytes )
    int        nIntGain;       // Image Intensifier Gain ( 2 Bytes )
    unsigned int nExpTime;     // Exposure Time ( 2 Bytes )
    char       szFilterVal[9]; // Filter Position ( 9 Bytes )
    int        nCCDTemp;       // CCD Temperature ( 2 Bytes )
    int        nTECTemp;       // TEC Temperature ( 2 Bytes )
}
```

```

int      nIntTemp;           // Intensifier Temperature ( 2 Bytes )
int      nFiltTemp;         // Filter Wheel Temperature ( 2 Bytes )
int      nIntBrt;           // Intensifier Brightness ( 2 Bytes )
short    nFOV;              // Field of View ( 2 Bytes )
char     *pLocation;        // Location ( 2 Bytes )
char     *pComment;         // Comment ( 2 Bytes )
short    nGaoi;             // GAOI holding the image ( 2 Bytes )
} IMINFOSTRUCT;

```

6.7.5 Image Overlay Object Structure: Ioo

The Ioo Structure is a linked-list structure that holds the Image Overlay Object information necessary to maintain an object in the Image Overlay Window. Image Overlay Objects can be text labels, lines, cross-hairs, boxes -- any graphics object that is overlaid on the image. (*Defined in IOO.H*)

```

typedef struct _Ioo {
    IOO_ID    id;                // Object Type
    HIMAGE    hOwner;            // Image that owns the object
    HIIOO     hNext;             // Next Ioo in the list
    HIIOO     hPrev;            // Previous Ioo in the list
    WORD      flags;             // Ioo drawing flags
    char      data[];           // Ioo data (Object specific)
} Ioo, far *pIoo;

```

6.7.6 Acquisition Entry Information Structure: aqENTRYINFO

aqENTRYINFO keeps the information necessary to act on the currently selected entry in the acquisition table. (*Defined in AQENTRY.H*)

```

typedef struct {
    aqENTRY    e;                // acquisition Entry information
    aqTABLEENTRY *inTable;       // pointer to entry in acquisition table
    int        inListBox;        // entry number in List Box
} aqENTRYINFO

```

6.7.7 Acquisition Table Entry Structure: aqTABLEENTRY

The aqTABLEENTRY structure creates a linked-list of acquisition entries. (*Defined in AQTABLE.H*)

```
typedef struct aqTE {
    struct aqTE *next;           // Next table-entry in list
    struct aqTE *prev;         // Last table-entry in list
    aqENTRY e;                 // Current table-entry
} aqTABLEENTRY
```

6.7.8 Equipment Structure: aqEQUIPMENT

The aqEQUIPMENT structure is used to keep track of equipment settings in the instrument such as which filter is in a certain filter wheel slot. (*Defined in AQUIS.H*)

```
typedef struct {
    int      nDlgItemID;        // Item ID
    char     text[AQ_MAXLABEL]; // String identifying equipment
} aqEQUIPMENT[AQ_NUMEQUIPSTRINGS];
```

6.7.9 Acquisition Entry Structure: aqENTRY

The aqENTRY holds all the information necessary to execute one event in the acquisition table. For a typical acquisition event, parameters such as Gaoi, Intensifier Gain, Exposure are recorded. These parameters can also be used for different things, such as a math operation, where the parameter nExposure has a much different meaning. The parameter nFilter is used to record which filter is to be used in a data acquisition event and can have the values 1 through 5 for this purpose. If this parameter is less than zero, it flags an alternative type of acquisition event identified by its absolute value. For example, if nFilter is set to -6, this flags that the event is a PAUSE, and the next parameter nGaoiLoc is checked to get the pause duration. (*Defined in AQUIS.H*)

```

typedef struct {
    int      nFilter;
    int      nGaoiLoc,
    int      nIntensifier;
    int      nDisplayMin;
    int      nDisplayMax;
    int      bRecord;
    BOOL     bDarkSubtract;
} aqENTRY;

```

6.7.10 Acquisition Desktop Structure: aqDESKTOP

The aqDESKTOP structure holds the present path and filenames for the acquisition information. Acquisition tables are stored in files with the extension *.AQT. MIPCTL keeps track of which acquisition table was last opened using this structure. (*Defined in QUIS.H*)

```

typedef struct {
    char      szPath[PATHLEN];
    char      szTable[FILENAMELEN];
    char      szEquip[FILENAMELEN];
} aqDESKTOP;

```

6.8 Adding New Operations to the Acquisition Cycle

The acquisition cycle can now accommodate an arbitrary number of operations during an acquisition period in addition to the normal acquisition event. The presently defined operations for the acquisition cycle for MIPCTL v5.3 are as follows:

Acquisition:

Setup camera -> acquire image -> record(flag) -> label -> rescale

Math:

Addition, subtraction, multiplication of two images using the AFG hardware ALU.

Snap:

Snap one image to another with the option of scaling image.

Pause:

Pause for a specified amount of time.

Loop:

Loop back *n* entries in the acquisition table *j* times.

There can be any number of operations that the user may want incorporated into the acquisition cycle. These are now very easy to add, but there are many steps necessary to accomplish this. To facilitate this, follow this procedure:

(1) Dialog Box: There must be some dialog box associated with setting up the parameters of the operations. First create this dialog box defining the controls and dialog name:

Define:	NewOp.res	NewOp.dlg	NewOp.h
	NEWOPBOX	(Dialog Box Name)	
	LC_	(List of controls in dialog box)	

(2) Add the dialog files to MIPCTL.H In MIPCTL.H, add:

#include NewOp.h	to the list of dialog headers
BOOL FAR aqNewOpEntryDlg(...)	to the list of dialog function declarations.
#define IDM_NEWOP	to the list of menu identifiers for the SETUP menu.

(3) Add the dialog resource and menuID to MIPCTL.RC:

Under the SETUPMENU, add:

 MENUITEM "&NewOp", IDM_NEWOP

Under the list of r.includes, add:

 rinclude NEWOP.DLG

(4) **Create the dialog function `aqNewOpEntryDlg`:** Write the framework for the dialog function to be used when the dialog box is open. This sets up the input parameters for the acquisition table. This function can be added to `AQIMGMT.H.C` or put in a new source file. If a new source file is used, be sure to add this to the `MAKEfile`. In addition, this new dialog function must be added to the list of callback functions in the definition file: `MIPCTL.DEF`. For examples of doing both of these things, see *`aqLoopEntryDlg`*. Notice how every operation dialog function makes `hMathDlg` equal the handle to the operation's dialog in the `WM_INITDIALOG` message, and sets `hMathDlg` to `NULL` when the operation gets a `WM_DESTROY` message. The name `hMathDlg` is an unfortunate naming left over from when the only operations were `math` operations, and should be renamed to `hOpDlg` in a future version of this software.

(5) **Define the command identifier:** In `AQUIS.H`, add a new identifier for the `NewOp` command. All operation identifiers must have a negative value. A zero value is a null entry, and any positive value for the identifier is assumed to be an image acquisition and the identifier is taken as the filter value. See for example:

```
#define EN_LOOP    -7
```

(6) **Add dialog function declaration to `AQSETUP.C` and `AQRUN.C`:** Add the function declarations for `aqNewOpEntryDlg` to the top of these two files. Again, for example, see:

```
BOOL FAR aqLoopEntryDlg( HWND, WORD, .... );
```

(7) **Define the operation entry variables:** An acquisition entry has the structure `aqENTRY` shown below. The variable names represent what these values are during an image acquisition, but for operations, these values can take on their own meanings.

aqENTRY Structure Definition

```
typedef struct
{
    int    nFilter;
    int    nGaoiLoc;
```

```

        int    nIntensifier;
        int    nDisplayMin;
        int    nDisplayMax;
        int    bRecord;
        BOOL  bDarkSubtract;
    }
    aqENTRY;

```

The only requirement is that `e.nFilter` hold the operation identifier: `EN_NEWOP` which must be less than zero to not be interpreted as an image acquisition event. In the LOOP example above, the following definitions were made:

```

nFilter =      EN_LOOP
nGaoiLoc =    The number of entries to loop back to.
nExposure =   The number of times to execute the loop.

```

All other entries are ignored.

(8) **Code up the dialog function `aqNewOpEntryDlg`:** Write the code that handles the dialog function messages and sets up the current entry with the correct parameters defined in (7) for the NewOp operation. See `aqLoopEntryDlg` in `AQIMGMT.H.C` for an example.

(9) **Add the menu option `IDM_NEWOP` to `SetupWndProc` in `AQSETUP.C`:** Find `IDM_LOOP` and copy this code, changing `LOOP` to `NEWOP` wherever appropriate. This function opens the dialog box `NEWOPBOX`, when the menu item is selected. After the dialog function is completed, the new entry is added appropriate to the acquisition table. Once added, this entry is treated as any other entry as so all other code is identical.

(10) **Add the `EN_NEWOP` case to 'entry2str' in `AQSETUP.C`:** The function `entry2str` converts the acquisition table entry passed into a character string to be added to the listbox in the `TableDlg`. This string should be some English oriented representation of the operation to be acted on. For example, in the `EN_LOOP` case, the string returned is:

```

LOOP back 3 entries 5 times

```

assuming nFilter = EN_LOOP, nGaoiLoc = 3, and nExposure = 5.

(11) Add EN_NEWOP to the EntryDlgProc in AQENTRY.C: The EntryDlgProc must be able to handle creating the operation dialog functions as well. Look for the switch case that looks like:

```
switch ( aqCurEntry.nFilter )
{
  case EN_ADD:
    ..... break;
  case EN_LOOP:
    ..... break;
}                                     Etc., etc.
```

Add the case for EN_NEWOP.

(12) Create the DoNewOpEntry() function in AQRUN.C: This is the function that actually does the operation during the running of the acquisition table. This function retrieves the operation parameters from the current aqEntry (tp->e) and does the operation based on these parameters. For example, see:

DoMathEntry(), DoLoopEntry(), DoPauseEntry().

Notice how the return values *BEGIN* and *SDONE* are used differently in the operations.

(13) Add the operation to the BEGIN case in AQRUN.C: When the table is running, the BEGIN step is the first step run during an entry sequence. (see function 'nextStepInSequence') If the entry is an operation (tp->e.nFilter < 0), then the appropriate DoNewOpEntry() function that was written in (12) must be called. This case must be added to the switch case here. Roughly:

```
case BEGIN :
  if ( tp->e.nFilter < 0 )      // Is it an operation?
  {
    switch ( tp->e.nFilter )
    {
```

```

case EN_ADD :
    DoMathEntry();
    break;
case EN_LOOP :
    return DoLoppEntry();
case EN_NEWOP :
    DoNewOpEntry();    // New operation
    break;
    .
    .
    .
}

```

These are all the steps necessary for adding a new operation. A full REBUILD must be done before testing out the new code, as the global header file MIPCTL was changed which affect the state of the pre-compiled header.

6.9 Image Comment Chronological Definitions

6.9.1 MIPCTL v2.0: 7/10/92 (CRRES Campaign)

```

szImageComment[0] = 0;           // Initialize the string

tpInfo = imageInfoHdr[nHdrID].tpImageTime; // Get time structure
strftime( temp, 20, "%d %b %y", tpInfo );   // Convert Date to string
strcpy( szImageComment, temp );           // copy to image comment
strcat( szImageComment, " " );            // add a space to comment
strftime( temp, 20, "%X", tpInfo );       // Convert Time to string
strcat( szImageComment, temp );           // copy to image comment

sprintf( temp,
        " G[%1d]W[%8s]E[%3d]V[%3d]C[%3d]T[%3d]I[%3d]F[%3d]B[%3d]-----%30s %80s",
        imageInfoHdr[nHdrID].nIntGain,
        imageInfoHdr[nHdrID].szFilterVal,
        imageInfoHdr[nHdrID].nExpTime,
        imageInfoHdr[nHdrID].nFOV,

```

```

imageInfoHdr[nHdrID].cCCDTemp,
imageInfoHdr[nHdrID].cTECTemp,
imageInfoHdr[nHdrID].cIntTemp,
imageInfoHdr[nHdrID].cFiltTemp,
imageInfoHdr[nHdrID].cIntBr2,
szLocation, szComment
);

```

```
strcat( szImageComment, temp );
```

6.9.2 MIPCTL v4.0.3: 11/19/92

```

szImage Comment[0] = 0;           // Initialize the string
// Write KEO Identifier into the header and get software version...
strcpy( szImageComment, "KEO" );
sscanf( szVersion, "Version: %s", temp );
strncat( szImageComment, temp, 3 );
strcat( szImageComment, " " );
strncat( szImageComment, szCamera, 3 );
strcat( szImageComment, ":" );

// Write the Date and Time from the timestamp into the comment...
tpTime = localtime( &(amp;pINF->IImageTime) ); // Convert to local time

strftime( temp, 20, "%d %b %y", tpTime ); // Convert Date to string
strcat( szImageComment, temp ); // copy to image comment
strcat( szImageComment, " " ); // add a space to comment

strftime( temp, 20, "%X", tpTime ); // Convert Time to string
strcat( szImageComment, temp ); // copy to image comment

sprintf( temp, " G[%1d]W[%8s]E[%3d]V[%3d]C[%3d]T[%3d]I[%3d]F[%3d]B[%3d]-%30s %80s",
        pINF->nIntGain,
        pINF->szFilterVal,
        pINF->nExpTime,
        pINF->nFOV,
        pINF->nCCDTemp,

```

```

pINF->nTECTemp,
pINF->nIntTemp,
pINF->nFiltTemp,
pINF->nIntBrt,
pINF->pLocation, pINF->pComment );

```

```

strcat( szImageComment, temp );

```

6.9.3 MIPCTL v4.1.0: 11/20/92

```

szImage Comment[0] = 0;           // Initialize the string
// Write KEO Identifier into the header and get software version...
strcpy( szImageComment, "KEO" );
sscanf( szVersion, "Version: %s", temp );
strncat( szImageComment, temp, 3 );
strcat( szImageComment, " " );
strncat( szImageComment, szCamera, 3 );
strcat( szImageComment, ":" );

// Write the Date and Time from the timestamp into the comment...
tpTime = localtime( &(pINF->ImageTime) ); // Convert to local time

strftime( temp, 20, "%d %b %y", tpTime ); // Convert Date to string
strcat( szImageComment, temp ); // copy to image comment
strcat( szImageComment, " " ); // add a space to comment

strftime( temp, 20, "%X", tpTime ), // Convert Time to string
strcat( szImageComment, temp ); // copy to image comment

sprintf( temp, " G[%1d]W[%8s]E[%3d]V[%3d]C[%3d]T[%3d]I[%3d]F[%3d]B[%3d]-XXXX-%30s %75s",
pINF->nIntGain,
pINF->szFilterVal,
pINF->nExpTime,
pINF->nFOV,
pINF->nCCDTemp,
pINF->nTECTemp,

```

```

        pINF->nIntTemp,
        pINF->nFillTemp,
        pINF->nIntBrt,
        pINF->pLocation, pINF->pComment );

strcat( szImageComment, temp );
    long *pTime;                // Pointer to a time variable
pTime = (long *) (szImageComment + 88);
*pTime = pINF->llImageTime;    // Put time_t into the header...
szImageComment[199] = 0;      // Terminate just to be safe...

```

6.9.4 MIPCTL v4.2.1: 12/31/92

```
// Build ImageTechnology image header: 200 Bytes long...
```

```
szInfo[0] = 0;    // Initialize the string
```

```
// Write KEO Identifier into the header and get software version...
```

```
strcpy( szInfo, "KEO" );
sscanf( szVersion, "Version: %s", temp );
strncat( szInfo, temp, 3 );
strcat( szInfo, " " );
strncat( szInfo, szCamera, 3 );
strcat( szInfo, ":" );
```

```
// Write the Date and Time from the time-stamp into the comment...
```

```
tpTime = localtime( &(pINF->llImageTime) );    // Convert to local time

strftime( temp, 20, "%d %b %y", tpTime );    // Convert Date to string
strcat( szInfo, temp );    // copy to image comment
strcat( szInfo, " " );    // add a space to comment

strftime( temp, 20, "%X", tpTime );    // Convert Time to string
strcat( szInfo, temp );    // copy to image comment
```



```

// Build the info string: -XXXX- = ITime (4 Bytes)
sprintf( temp,
" G[%1d]W[%8s]E[%3d]V[%3d]C[%3d]T[%3d]I[%3d]F[%3d]B[%3d]-XXXX-%1d-%1d-%26s %75s",
    pINF->nIntGain,
    pINF->szFilterVal,
    pINF->nExpTime,
    pINF->nFOV,
    pINF->nCCDTemp,
    pINF->nTECTemp,
    pINF->nIntTemp,
    pINF->nFiltTemp,
    pINF->nIntBrt,
    nCGain, nCBin,
    pINF->pLocation, pINF->pComment );

strcat( szInfo, temp );

// Put binary information into the header...
pTime = (long *) (szInfo + HDR_TIME);           // Time (4 Bytes)
*pTime = pINF->nImageTime;

szInfo[199] = 0;                               // Terminate just to be safe!

```

6.9.5 MIPCTL v4.2.2: 1/3/93

Header Change: Put the binary time at the end of comment in the event of a 0 byte

```
// Defines for header offsets: Updated 1/3/92 V4.2.2
#define HDR_GAIN      30
#define HDR_TIME      194
#define HDR_CGAIN     88
#define HDR_CBIN      90
#define HDR_LOCTN     92
#define HDR_COMMNT    119
#define HDR_LOC_LEN   26
#define HDR_COM_LEN   75

// Build ImageTechnology image header: 200 Bytes long...

szInfo[0] = 0; // Initialize the string

// Write KEO Identifier into the header and get software version...
strcpy( szInfo, "KEO" );
sscanf( szVersion, "Version: %s", temp );
strncat( szInfo, temp, 3 );
strcat( szInfo, " " );
strncat( szInfo, szCamera, 3 );
strcat( szInfo, ":" );

// Write the Date and Time from the time-stamp into the comment...

tpTime = localtime( &(pINF->ImageTime) ); // Convert to local time

strftime( temp, 20, "%d %b %y", tpTime ); // Convert Date to string
strcat( szInfo, temp ); // copy to image comment
strcat( szInfo, " " ); // add a space to comment

strftime( temp, 20, "%X", tpTime ); // Convert Time to string
```

```

strcat( szInfo, temp );                                // copy to image comment

// Build the info string: -XXXX-G-B- XXXX = lTime (4 Bytes), G = nCGain (1 Byte), B = nCBin (1
Byte )

sprintf( temp,
" G[%1d]W[%8s]E[%3d]V[%3d]C[%3d]T[%3d]I[%3d]F[%3d]B[%3d]-%1d-%1d-%26s %75s-XXXX",
        pINF->nIntGain,
        pINF->szFilterVal,
        pINF->nExpTime,
        pINF->nFOV,
        pINF->nCCDTemp,
        pINF->nTECTemp,
        pINF->nIntTemp,
        pINF->nFiltTemp,
        pINF->nIntBr,
        nCGain, nCBin,                                // Global variables
        pINF->pLocation, pINF->pComment );

strcat( szInfo, temp );

// Put binary information into the header...
pTime = (long *) (szInfo + HDR_TIME);                // Time (4 Bytes)
*pTime = pINF->ImageTime;

szInfo[199] = 0;                                     // Terminate just to be safe!

```

6.9.6 MIPCTL v5.3.0: 7/16/93

Header Change: Encodes the binary time to make sure there are no zero bytes in the time information that would act as a termination character. Time is now written and extracted from the information header using the functions (defined in MIPFINFO.C):

```
MakeTimeString( long *pTime, char *szString );
```

```
lTime = GetTimeFromString( szInfoHdr + HDR_TIME );
```

The time string is now 5 bytes long. The first being a status byte defined as:

```
0 1 1 1 SB3 SB2 SB1 SB0
```

where SB0 --> SB3 are define as 1 if the corresponding byte is non-zero and 0 if the corresponding byte is zero. If a byte in the (long) lTime is zero, this is changed into a 0x7F. So the time string looks like:

```
SB B0 B1 B2 B3.
```

Two examples:

```
0x01020304 ----> 7F 04 03 02 01  
0x01020004 ----> 7D 04 7F 02 01
```

Header definitions (same as 4.2.2):

```
#define HDR_GAIN 30  
#define HDR_TIME 194  
#define HDR_CGAIN 88  
#define HDR_CBIN 90  
#define HDR_LOCTN 92  
#define HDR_COMMNT 119  
#define HDR_LOC_LEN 26  
#define HDR_COM_LEN 75
```

// Build ImageTechnology image header: 200 Bytes long...

```
szInfo[0] = 0;           // Initialize the string
```

```
// Write KEO Identifier into the header and get software version...
```

```
strcpy( szInfo, "KEO" );  
sscanf( szVersion, "Version: %s", szComment );  
strncat( szInfo, szComment, 3 );  
strcat( szInfo, " " );  
strncat( szInfo, szCamera, 3 );  
strcat( szInfo, ":" );
```

```
// Write the Date and Time from the time-stamp into the comment...
```

```
tpTime = localtime( &(pINF->llImageTime) );           // Convert to local time
```

```
strftime( szComment, 20, "%d %b %y", tpTime ), // Convert Date to string  
strcat( szInfo, szComment );                 // copy to image comment  
strcat( szInfo, " " );                       // add a space to comment
```

```
strftime( szComment, 20, "%X", tpTime );      // Convert Time to string  
strcat( szInfo, szComment );                 // copy to image comment
```

```
// Build the info string:
```

```
sprintf( szComment,  
        " G[%1d]W[%8s]E[%3d]V[%3d]C[%3d]I[%3d]I[%3d]F[%3d]B[%3d]-%1d-%1d-%26s %75s-  
XXXXX",  
        pINF->nIntGain,  
        pINF->szFilterVal,  
        pINF->nExpTime,  
        pINF->nFOV,  
        pINF->nCCDTemp,  
        pINF->nTECTemp,
```

```
pINF->nIntTemp,  
pINF->nFiltTemp,  
pINF->nIntBrt,  
nCGain, nCBin,  
pINF->pLocation, pINF->pComment );
```

```
strcat( szInfo, szComment );
```

```
// Put binary information into the header...
```

```
MakeTimeString( &(pINF->ImageTime), szTime ); // Create the time string (char szTime[6])  
pChar = szInfo + HDR_TIME; // Point to the time string position  
strncpy( pChar, szTime, 5 ); // Copy time string into comment  
  
szInfo[199] = 0; // Terminate just to be safe!
```

Chapter 7 FORTH and DSP Programming

7.1 Introduction

The heart of the HAARP camera control system is the Controller board supplied by Advanced Technologies. This board has on-board memory with the embedded program that controls all the hardware in the camera. There are two processors on this board: the 68HC11 microprocessor, and the DSP56001 digital signal processor. For a more in-depth understanding of the hardware, the user can study the supplied schematics, software listings, and the manuals for the 68HC11 and the DSP56001. These two processors have two distinct responsibilities.

The 68HC11 is the main 'brain' of the camera system. It controls all communication to the outside world via its RS-422 port. It stores all the command structure to control the hardware aspects of the camera from the KEO control systems such as filter wheel, temperature readout, intensifier gain and shutters, to camera control systems such as CCD read, clear, bias. The 68HC11 is programmed in FORTH and has an embedded FORTH system burnt into its internal ROM. In addition there is an external EEPROM which permanently stores the user FORTH dictionary and an external RAM for operation. During bootup, the contents of the EEPROM are loaded into RAM. This section discusses the FORTH program burned into EEPROM.

The DSP56001 is a dedicated processor to provide the actual clocking and timing signals required by the CCD. It is used as a state-machine to quickly clock through all the different states that the CCD needs. The DSP code is written in 56000 Assembler and stored in the EEPROM of the 68HC11 as binary executable code. At bootup, the 68HC11 downloads this code to the DSP RAM and tests the DSP's functionality.

The 68HC11 on the Advanced Technologies Control Board is supplied by

New Micros, Inc.
1601 Chalk Hill Rd.
Dallas, Texas 75212
(214)339-2204

At power-up, an auto-start routine loads the dictionary from the EEPROM to RAM, loads the DSP code into the DSP RAM, initializes the DSP chip and HAARP/CCD electronics, and starts the HAARP command loop. The HAARP command loop restricts the input to the camera and hence protects the FORTH system from causing catastrophic failures due to operational errors. The HAARP can also be operated as any FORTH system by exiting out of this command loop. At this point, the user can use any of the presently defined words in the FORTH dictionary as well as control all aspects of the MIP camera, add new words, and store a new dictionary in the EEPROM. This gives the user a very powerful ability to control the HAARP, but this facility should be used with extreme caution.

If a problem arises and the dictionary in the EEPROM is corrupted so that you can no longer recover the system, you can jump start the 68HC11 by disabling the chip select pin on the EEPROM and then rebuild the system from the basic FORTH kernel burnt in on the chip's ROM. (See Section 7.7) The FORTH code can then be downloaded from any computer as ASCII text files and then the new dictionary can be stored in the EEPROM. Therefore, it is important to keep the FORTH source files and the DSP binary on whatever computer is being used to control the HAARP Imager.

The DSP program is also supplied for both reference and for future development. The user can make changes to this code, but this is a very risky step and you should always make sure that you do not change the latest binary (KEO8.DSP as of 11/91) so that you can recover. Once you have changed the DSP assembly language program, you need to assemble it using the DSP assembler and then download this to the FORTH EEPROM using the FORTH word DNLD. Once this is stored in the system's EEPROM, the DSP can be initialized with this new binary by INITIALizing it.

For more information on the above, please refer to:

MaxFORTH Reference Manual	New Micro
68HC11 Reference Manual	Motorola
56001 DSP Reference Manual	Motorola

7.2 Advanced Technologies FORTH and DSP Code

The Advanced Technologies FORTH Code contains all the necessary words to control the DSP processor, the CCD Camera electronics, and the EEPROM/RAM functions. Normally, you shouldn't have to worry about this code, and will be modifying or adding new dictionary words in the HAARP FORTH code. However, if somehow you have corrupted or need to change the Advanced Technologies code, there are 6 files that need to be loaded. They are (in order of loading): {The 7 corresponds to the version # -- *There might be more recent versions as of this documentation* }

KEOasm7	; Contains 68HC11 assembler words
KEOrom7	; Contains words for EEPROM/RAM control
KEOdsp7	; Contains words for DSP control
KEOadc7	; Contains words for ADC port (PortE)
KEOtim7	; Contains the CCD timing state definitions
KEOcmd7	; Contains the CCD control command words

Each file starts with a FORGET command. This erases the current dictionary from there on. If you made a change in KEOdsp7, you will need to reload everything from KEOdsp7 onwards. After you have loaded the Advanced Technologies FORTH files, you will then need to load the current HAARP FORTH file. For historical reasons, the HAARP FORTH file is called MIPXX.FOR, where XX is the version number. This is because this code was originally developed for the MIP instrument and the programs are identical.

As of 8/93, the version number is 10: MIP10.FOR

Loading all the FORTH files will have modified the dictionary residing in the RAM and you should immediately be able to test out these changes. However, if you power down the processor, these changes will be lost as the EEPROM wasn't changed.

Once you are sure that your changes work, and these changes have been saved in a set of files with a new version number (i.e. KEOasm9 or MIP11.FOR), you can store this new dictionary in the EEPROM by typing:

```
                  STORE  
(returns)        DICTIONARY STORED 9465 BYTES
```

This will take a few minutes and will return with a status message. Once you have stored the dictionary, the autostart sequence must be updated to point to the new dictionary address. To do this type:

```
                MSTART!  
(returns)      AUTOSEQUENCE STORED
```

Now you can turn the power off and your changes will be saved. If something catastrophic has happened and you cannot recover, read Section 7.7 on recovering the EEPROM.

The DSP assembler code is listed as:

```
                KEO8.ASM                ; version 8 as of 11/91
```

The DSP binary (after assembly) code is listed as:

```
                KEO8.DSP                ; version 8 as of 11/91
```

If you ever change the DSP code, you will need to download KEO8.DSP as an ASCII file after you have typed the command on the 68HC11:

```
                DNLD
```

The 68HC11 will capture all the DSP code stored as ASCII characters until the terminating character is sent. Please note that the output file of the DSP assembler needs to be modified before being sent to the 68HC11. If you cannot determine the required changes by comparing files, contact Advanced Technologies.

7.3 HAARP FORTH Code

FORTH code for the HAARP was written by KEO Consultants to control the HAARP specific electronics and to provide a quick protected interface to communicate with the host processor.

The KEO Interface Control CCA talks to the 68HC11 through the parallel ports PB and PC, where B is the address, and C is the data. An address demultiplexing GAL on the board deciphers whether data put on the bus is for the KEO Interface. It has been programmed for address hex B400 and is stored in the constant:

**B400 CONSTANT IOCTL
VARIABLE MIPSTS
VARIABLE MIPCTL**

The variable MIPSTS stores the last read byte from the KEO Interface CCA, and the variable MIPCTL stores the last written byte to the KEO Interface CCA. These variables are used to mask in new command bits which control specific parts of the HAARP electronics.

Since serial communications is comparably slow, a set of utilities was written to accept characters from the host without echoing. The input command is a character which then gets mapped to a command list numerically using the FORTH :CASE statement. To receive numerical input from the host, the word GETNUM is used. It accepts all characters without echoing until a <cr> is received. GETNUM then converts this string into a number and leaves it on the stack.

The HAARP FORTH code's last dictionary words deal with restoring the system on power-up or reset, and defining the auto-start sequence. This is critical code and should not be modified. **IT SHOULD ALWAYS BE THE LAST THING LOADED INTO RAM.** If any modifications were made to the EEPROM (i.e. by using the STORE command), you must also do a MSTART! to update the autostart address in the EEPROM.

MIP10.FOR contains all the FORTH words necessary for the host to control all HAARP and CCD functions. Upon power-up, the processor is in a loop "MIP" and can only accept the finite commands we allow. However, at any time the host can either restart the processor (COLD boot) or exit the MIP loop to the FORTH kernel mode. At this point any command from the dictionary can be used. New words can be defined and executed as in any FORTH system. Again, these will not be remembered unless you STORE the dictionary in the EEPROM.

7.3.1 MIF Variables

IN_BUFF ; a five character input buffer -- could increase the size if necessary
IOCTL ; a Constant representing the address of the KEO Interface GAL
MIPSTS ; variable holding the last byte read from the KEO Interface CCA
MIPCTL ; variable holding the last byte written to the KEO Interface CCA
ERRLVL ;variable holding the error level for error reporting
ERRSTS ;variable holding a status word for the current errors
NUM_CMD ; a Constant storing the number of MIP commands defined.
; if you add commands, you need to change this accordingly
MSTART ; a Constant representing the address of the EPROM. Used for the
; autostart routine.

7.3.2 MIP Utility Words

GETNUM Receives character input until a <cr> has been received, and then converts this to a number leaving the value on the stack.
Note: Could add a timeout functionality to this, in case a <cr> is never received.

TERM_EMIT Emits a "#". This is used as a terminating character notification to the host.

CGAIN Uses the :CASE dictionary event to execute either the HI-GAIN, MID-GAIN, or LO-GAIN commands based on the number on the stack (0-2). Does no error checking, so this **MUST** be done before CGAIN is called. The words executed set the CCD camera gain for the ADC conversion.

CTL! Stores the byte on the stack in MIPCTL and outputs this to the device at location IOCTL (in this case the KEO Interface CCA).

CTL@ Reads the byte at location IOCTL (KEO Interface CCA) and stores the value in MIPSTS and also leaves it on the stack.

ERR!	OR's in the present error bit on the stack into the error status word ERRSTS.
ERRCHK	(<cond> <err#> ERRCHK <continue flag>) ERRCHK looks at a condition <cond>left on the stack, and sets the error bit determined by <err#> into the error status word depending on the ERRLVL set for the system.
SHTR_STS	Gets the status bits of the shutters on leaves them on the stack as B0 and B1.
CLS	Closes both shutters with no status check. Does not modify the stack at all, and does not update MIPCTL or MIPSTS.
OPS	Opens both shutters with no status check. Does not modify the stack at all, and does not update MIPCTL or MIPSTS.

7.3.3 Error Checking System

An error reporting scheme has been implemented on the HAARP imager. There are three levels of error reporting that can occur:

- 0 No error reporting, continue operation
- 1 Report error, but continue operation
- 2 Report error, abort operation

The Utility word ERRCHK is used to implement this feature. The error reporting is determined by the error level stored in the variable ERRLVL. This error level is set by the host dynamically. The default error level is always 2 (report and abort). Functions that return errors report all errors as negative numbers.

7.3.4 MIP Command Words

Note: All the command words follow the MIP command format and finish by emitting the terminating character "#". None of these commands modify the stack in any way.

RD_SHTRS	Reads the shutter status, pops this value off the stack and emits the terminating character.
OPEN_SH1	Opens Shutter 1, waits 100 msec, reads the shutter status, and returns 0 if open, and -1 if closed (error), and finally emits the terminating character.
OPEN_SH2	Opens Shutter 2, waits 100 msec, reads the shutter status, and returns 0 if open, -2 if closed (error), and finally emits the terminating character.
CLOSE_SH1	Closes Shutter 1, waits 100 msec, reads the shutter status and returns 0 if closed, -1 if open (error), and finally emits the terminating character.
CLOSE_SH2	Closes Shutter 2, waits 100 msec, reads the shutter status and returns 0 if closed, -2 if open (error), and finally emits the terminating character.
OPEN_SHTS	Opens both shutters simultaneously, waits 100 msec, reads the shutter status, and returns 0 if both are open, 6 if shutter 1 is closed (error), 5 if shutter 2 is closed (error), 7 if both are closed, (error), and then emits the terminating character.
CLOSE_SHTS	Closes both shutters simultaneously, waits 100 msec, reads the shutter status, and returns 0 if both are closed, 6 if shutter 1 is open (error), 5 if shutter 2 is open (error), 7 if both are open (error), and then emits the terminating character.

CCD_BIAS	Closes the shutters (with no status check), clears the CCD three times (to scrub out any residual charge), reads the CCD and finally emits the terminating character. Does not modify the stack in any way.
2BIN	Sets the CCD to read out in 2x2 binning with 256x256 serial and parallel lengths. Emits a terminating character.
1BIN	Sets the CCD to read out in 1x1 binning with 512x512 serial and parallel lengths. Emits a terminating character.
CCD_GAIN	Gets the Gain selection from the host, checks for >2 condition and returns a -1 (error) if so. If no limit problem sets the CCD ADC gain using the CGAIN and emits an 0 (no error) and the the terminating character.
DARK	Gets the exposure time in deciseconds, checks and makes sure there is no zero-length exposure returning a -1 (error). If it is a valid exposure time a dark exposure is taken and a terminating character is emitted.
DEFAULT	Sets the CCD to the default readout parameters initially set by Advanced Technologies. The CCD will subsequently be readout as a 1x1 binned, 512x512 image.
EXPOSE	Gets the exposure time in deciseconds, checks to see if the exposure is < 2 deciseconds returning a -1 (error) if true. If it is a valid exposure time the shutters are closed (with no status check), the CCD is cleared, and the shutters are opened. After 100 msec the shutters are checked and error codes are returned if they are not both opened (B2 flags error, B0, B1 give shutter status). If both shutters are opened, the expose time minus 100 msec is waited and the shutters are subsequently closed. The CCD is not read.

FOCUS

Focus is not presently implemented and just emits the terminating character. The read rate of the MIP is so fast, that it has not been necessary to implement. Also, the user can use the acquisition table to continuously run an entry if focus is really desired.

OBS

The basic sequence for an 'observe' is:

- (o) get exposure time in deciseconds
- (i) check exposure limit > 100 msec...
- (ii) close the the shutters and clear the CCD...
- (iii) open the front shutter and check...
- (iv) read the intensifier photodiode and check
for AGC saturation...
- (v) open the back shutter and check...
- (vi) wait for x deciseconds...
- (vii) close shutters, check and read CCD...

The return codes for the errors are:

- (i) -1 (iii) -2 (iv) -4 (v) -8 (vii) -16

'OBS'erve will execute according to the error reporting level set as discussed in 7.3.3. At termination of OBS, a termination character is emitted.

SET-ERR

SET-ERR accepts a new error reporting level, checks for limit errors (0-->2) and reports a -1 if there was an error. If not, the new error level is stored in ERRLVL and a 0 is emitted along with the terminating character.

HWED

Commands the DSP to create a horizontal wedge pattern and then emits a terminating character. This shade is generated by the DSP chip to increase the pixel intensity every 64 pixels starting at an intensity of 0. This gives a pattern with every pixel value from 0 to 4095 (12 bits). This command is useful to quickly test the camera operation and the digital interface. HWED emits a terminating character.

CCD_CLR	Clears the CCD, and emits a terminating character.
CCD_READ	Reads the CCD, and emits a terminating character.
SET_FILPOS	Gets a number from the host, checks for limits and returns a -6 if there was an input error. Gets the last command from MIPCTL, masks in the new filter wheel target (B0-B2) and outputs this to the Interface board. The Interface board is then read every 20 msec. The filter wheel position is masked out and checked with the target position. If they are not equal, this process is repeated until the filter wheel has reached the target, or 1 second has elapsed. If the filter wheel reaches the target, the new present position read is returned along with the terminating character. If not, the filterwheel position is negated and returned along with the terminating character.
SET_INTGAIN	Gets a number from the host, checks for limits and returns a -6 if there was an input error. The command is then shifted into the output byte (B3-B4) and outputted it to the Interface card. After 1 msec, the interface card is read (IG), compared with the output cmd, returns a 0 if they're equal or a -IG if they're not. Finally, SET_INTGAIN emits a terminating character.
INT_ON	Turns on the Intensifier Power control bit in the output byte (B5), outputs it to the Interface card, and returns the terminating character.
INT_OFF	Turns off the Intensifier Power control bit in the output byte (B5), outputs it to the Interface card, and returns the terminating character.
RD_INTGAIN	Reads the status byte from the Interface card, masks out the intensifier gain bits (B4-B5), returns this value, and emits a

terminating character.

RD_FILPOS Reads the status byte from the Interface card, masks out the filter wheel position bits, returns this value, and emits a terminating character.

SET_MIPBYTE Gets a number from the host, outputs this to the Interface card and emits a terminating character. Does no error checking to make sure this number is valid.

RD_MIPBYTE Reads the Interface status byte, returns this to the host and emits the terminating character.

RD_POSERR Reads the Interface status byte, masks out the position error bit (B3), returns this to the host and emits the terminating character.

RD_TEMP5 Sets up the 68HC11 ADC to read PE0 - PE3 (the temperature channels), outputs these four temperature values to the host, and emits the terminating character. Each channel is read separately four times and averaged. The output is read as: **CCD TEC INT FILT**

RD_INTBRT Sets up the 68HC11 ADC to read PE4 four times (the intensifier brightness as measured by the photodiode), takes an average and outputs this to the host, and emits the terminating character.

7.3.5 MIP Command Loop Words

MIP_CMD MIP_CMD is set up as a command lookup table that executes a command from a list based on an offset number on the stack.; i.e. 4 MIP_CMD would execute the fifth command word defined in the :CASE statement.

MIP

MIP is the actual command loop that is executed upon power-up or reset. This loop just waits for a command, check the limits for a valid command and then converts this command into an offset for the command list **MIP_CMD**. Once the command is executed, **MIP** checks to see if the offset was 0 (an "exit loop" command), and if so exits to the FORTH environment. If not, there is space to execute the system cop utility. This is not presently implemented.

7.3.6 Autostart handling Words

MIPINIT

MIPINIT is the initialization routine for the system. This is the first word to get executed upon power-up. **MIPINIT** retrieves the FORTH dictionary from the EEPROM and moves it into the system RAM. The hardware is initialized using the FORTH word **INIT** which loads up the the DSP code into its RAM, and then initializes the DSP. Once this is completed, the command loop **MIP** is initiated.

MSTART!

MSTART! stores the starting address of the initialization routine **MIPINIT** in the autostart location of the 68HC11. This is the first address that is looked at upon power-up and is used to execute **MIPINIT**. This function should always be last in the dictionary and executed after a **STORE** to preserve the new dictionary structure.

7.4 System Cop explanation

The system cop is a feature of the 68HC11 that allows the processor to reset itself if the program hangs up. This is done by having your program constantly writing a known pattern to a reserved location. If your program hangs, this location is no longer modified and the 68HC11 recognizes that the program has hung, initiating a COLD boot. This feature needs to be implemented using the **WIPE** utility which is located on the IBM PC. Unfortunately, to enable and disable the system cop, you need to write to it's registers within the first few system ticks (see **WIPE** documentation). This is all done via the serial communications, and is not that easy.

In view of this, the system cop is not presently implemented. If it seems that it is desirable, the MIP loop has provision for it. In addition, any other timing functions would have to be modified (such as WAIT's, and DSP_WAIT). For more information, read the 68HC11 reference manual, the MaxFORTH manual, the WIPE documentation, and if still confused, call New Micro!

7.5 MIP Command Format Summary from Host's point of view

(C Programming format)

<u>Command:</u>	<u>Value:</u>	<u>InParam</u>	<u>OutParam</u>	<u>Termination</u>
COLD	'1'	None	%s	None
CCD_BIAS	'2'	None	None	'#'
CCD_READ	'3'	None	None	'#'
CCD_CLR	'4'	None	None	'#'
1BIN	'5'	None	None	'#'
2BIN	'6'	None	None	'#'
DEFAULT	'7'	None	%s	'#'

<u>Command:</u>	<u>Value:</u>	<u>InParam</u>	<u>OutParam</u>	<u>Termination</u>
CCD_GAIN	'8'	%d\r	%d	'#'
DARK	'9'	%d\r	%d	'#'
OBS	':'	%d\r	%d	'#'
EXPOSE	':'	%d\r	%d	'#'
FOCUS	'<'	None	None	'#'
HWED	'='	None	None	'#'
SET-ERR	'>'	%d\r	%d	'#'
DWED	'?'	None	None	'#'
OPEN_SH1	'@'	None	%d	'#'
OPEN_SH2	'A'	None	%d	'#'
CLOSE_SH1	'B'	None	%d	'#'
CLOSE_SH2	'C'	None	%d	'#'
OPEN_SHTS	'D'	None	%d	'#'

CLOSE_SHTS	'E'	None	%d	'#'
SET_FILPOS	'F'	%d\r	%d	'#'
SET_INTGAIN	'G'	%d\r	%d	'#'
SET_MIPBYTE	'H'	%d\r	None	'#'
INT_ON	'I'	None	None	'#'
INT_OFF	'J'	None	None	'#'
RD_SHTRS	'K'	None	%d	'#'
RD_FILPOS	'L'	None	%d	'#'
RD_MIPBYTE	'M'	None	%d	'#'
RD_INTGAIN	'N'	None	%d	'#'
RD_POSERR	'O'	None	%d	'#'
RD_TEMPS	'P'	None	%d_%d_%d_%d_	'#'
RD_INTBRT	'Q'	None	%d	'#'

7.6 Advanced Technologies CCD Format parameters

The CCD read format parameters are located in the KEOcmd7 code:

VARIABLE	SLENGTH	; Serial length
VARIABLE	PLENGTH	; Parallel length
VARIABLE	SBINNUM	; Serial binning factor
VARIABLE	PBINNUM	; Parallel binning factor
VARIABLE	SPRESCAN	; Number of serial pixels to shift before ; start of read
VARIABLE	PPRESCAN	; Number of parallel shifts to do before ; start of read
VARIABLE	SPOSTSCAN	; Number of serial shifts to do after ; end of read
VARIABLE	PPOSTSCAN	; Number of parallel shifts to do after ; end of read
VARIABLE	SREADLEN	; Number of serial pixels to read
VARIABLE	PREADLEN	; Number of parallel rows to read

The CCD format parameters are initialized as:

DECIMAL

516	SLENGTH	!	
516	PLENGTH	!	
1	SBINNUM	!	
1	PBINNUM	!	
20	SPRESCAN	!	; This is a constant due to physical ; extension in the serial register
0	SPOSTSCAN	!	
0	PPRESCAN	!	
0	PPOSTSCAN	!	
516	SREADLEN	!	
516	PREADLEN	!	

The **INIT-FORMAT** command takes the values presently stored in the above variables and stores them in the DSP chip. To change the readout of the CCD, any of the above can be changed, and then **INIT-FORMAT** executed.

7.7 Recovering from a ROM Crash

If you think that the ROM on the Advanced Technologies Controller board has been corrupted, here is a recovery procedure:

If you connect the camera to a terminal and then reset the 68HC11, and do not get a response (i.e. the startup text does not appear), then you should first suspect the ROM. Of course, there could be many other errors that a corrupted ROM might produce, but this procedure addresses a fatal error.

Upon resetting the 68HC11, it tries to load the code in the ROM (U15) into its RAM (U8). If there is a problem, it will never succeed and hence never get into the interactive mode. The MIP autostart routine boots the FORTH chip, restores the ROM, initializes the DSP chip, and then starts the MIP command loop, which leaves a "#" on the terminal and waits for the next valid command as defined by the MIP code. A "0" gets you back to the FORTH kernel, and a "1" gives you a cold boot. If these don't work, chances are the ROM has been corrupted.

The first step to rebuilding the ROM is to remove U15 (the ROM) and gently bend pin 20 (chip select) up. Using small clip leads connect this pin to +5V through a 10K resistor. Now power up the board. You should see

MaxForth 3.3

This tells you that the 68HC11 is working from it's internal ROM which has the FORTH kernel in it. If you don't get this, there must be another problem with the board, or perhaps even in your communications set up. (Is your terminal set correctly? 9800B, 8Bits, 1Stop, No Parity).

If you do get this identifier, you are now ready to download the KEO Forth code. Start with an ASCII send of KEOASM7. As each file is sent, it will prompt you to send the next file to the 68HC11. After you have finished sending all the ASCII files, the program is in the controller's RAM (U8).

The next step is to download the DSP hex code. Type the following command to the 68HC11:

DNLD

The 68HC11 is now waiting for an ASCII file containing the HEX code for the DSP. Send the file: KEO7.DSP. A stream of HEX numbers should appear on the terminal. This is terminated by a \$ upon which the 68HC11 should output:

DOWNLOAD COMPLETED

Hit a couple of <cr> to make sure you still get the "OK" prompt.

Type:

INIT

and watch the DSP chip initialize. If it completes this, your board is now working again.

At this point though, it is necessary to store this recreated code in RAM, back into ROM. Presently the ROM is disabled because the chip select pin is pulled high through the 10K resistor. With the board still powered on, very carefully disconnect the pullup resistor and connect the pin back into it's socket. Don't try bend it, just clip on to it. Now

the ROM chip select is reconnected and you can store the RAM dictionary into the ROM.
Type the command:

STORE
STORING DICTIONARY

After a few minutes, the 68HC11 will output:

STORE COMPLETED

At this point, it is necessary to store the autostart routine:

MSTART!

If all has gone well, you have now successfully recovered the 68HC11 ROM. To test, power down the controller board (or just do a reset or COLD) and make sure that all the start prompts appear and that the processor comes up in the MIP command mode as usual.

Order for sending ASCII text files to the 68HC11

- KEOasm7
- KEOrom7
- KEOdsp7
- KEOadc8
- KEOtim7
- KEOcmd7
- MIP10.FOR
- Download: KEO8.DSP

Chapter 8 FORTH Code Listings

8.1 MIP10.FOR *KEO Consultants* Code for Camera Controller

```
( MIP10.FOR                                KEO CONSULTANTS )
(                                           LAST MODIFIED BY: CAL07/23/93 )
( 07/23 mod:      Added better resolution to Set_filpos )
( 09/21 mod:      Added error level system )
( 09/21 mod:      Changed all error codes to return a )
(                 negative number. )
( 09/21 mod:      SET_FILPOS poles for correct position )
(                 instead of just waiting 1 second )

( New software development for MIP camera. Interface )
( to Master through serial port, using SYSTEM COP, and )
( no echoing of characters. )
( )
( COMMENTS: Presently, the System Cop is not imple- )
( mented. All functions do range checking. )
( Another function could be added to create )
( a timeout error on GETNUM to decrease the )
( chance of a communications lock-up. A )
( new version has been written that has a )
( two letter command starting with the )
( character "C", and has been tested and )
( works, but I have not implemented it as )
( as I don't think it is presently necessary )

( WARNING: Do not use TABs in any FORTH file! )
FORGET IN_BUFF

( Create an Input Buffer for incoming parameters )

DECIMAL

CREATE IN_BUFF 5 ALLOT
IN_BUFF 5 ERASE
5 IN_BUFF C!

( Create the word to receive ASCII numbers GETNUM )

: GETNUM IN_BUFF 1+ 4 ERASE      ( Erase input buffer )
  4 0 DO KEY DUP                ( Get input character )
  13 = IF DROP LEAVE           ( Check to see if <CR> )
  THEN IN_BUFF I + 1+ C! LOOP  ( Store the character )
```

```

0 1 IN_BUFF CONVERT DROP DROP ;      ( Convert to num      )

HEX
B400 CONSTANT IOCTL      ( I/O CONTROL REGISTER LOCATION )
DECIMAL

VARIABLE MIPSTS          ( LAST READ MIP STATUS )
VARIABLE MIPCTL          ( LAST WRITTEN MIP COMMAND )

VARIABLE ERRLVL         ( ERROR LEVEL )
VARIABLE ERRSTS         ( ERROR STATUS WORD )

( MIP Utilities for KEO Software Control      )

: TERM_EMIT 35 EMIT ;      ( Emit "#" to terminal )

: CASE CGAIN LO-GAIN MID-GAIN HI-GAIN ; ( Select CCD Gain )

: CTL!      ( WRITES A BYTE TO THE IO CONTROL REGISTER )
  DUP MIPCTL C! IOCTL C! ;

1 CTL!      ( INITIALIZE TO 1RST FILTER, INT. OFF WITH 0 GAIN )

: CTL@      ( READS A BYTE FROM THE IO CONTROL REGISTER )
  IOCTL C@ DUP MIPSTS C! ;

: ERR! ERRSTS @ OR ERRSTS ! ;      ( OR'S IN THE PRESENT ERROR BIT )

( ERRCHK: CHECKS ERROR LEVEL, AND REPORTS AND LEAVES A CONTINUE FLAG )
(   DEPENDING ON THE ERROR REPORTING LEVEL   )
(   0: IGNORE ALL ERRORS                       )
(   1: REPORT ALL ERRORS, BUT DON'T ABORT OPERATION )
(   2: REPORT ALL ERRORS, AND ABORT OPERATION   )

: ERRCHK ( <condition> <err#> ERRCHK <continue flag> )
  SWAP
  IF ERRLVL @ 2 =
    IF ERR! 0
    ELSE
      ERRLVL @
      IF ERR!
      ELSE DROP
      THEN 1
    THEN
  ELSE DROP 1
  THEN ;

```

HEX

```
: SHTR_STS      ( GET THE STATUS BITS OF THE SHUTTERS AND LEAVE ON STACK )
  CTL@ C0 AND   ( READ AND MASK INPUT BYTE )
  2/ 2/ 2/ 2/ 2/ 2/ ;   ( SHIFT DATA TO B0-B1 )

: CLS           ( CLOSE BOTH SHUTTERS WITH NO STATUS CHECK )
  PORTA C@ F-5 F-6 PORTA C! ;

: OPS          ( OPEN BOTH SHUTTERS WITH NO STATUS CHECK )
  PORTA C@ T-5 T-6 PORTA C! ;
```

(KEO Dictionary for MIP control words in order of CASE)

DECIMAL

```
: SYSTEM                               ( RETURN TO FORTH USER'S SYSTEM )
  TERM_EMIT ;

: RD_SHTRS                               ( READ THE SHUTTER STATUS BITS )
  SHTR_STS                               ( GET THE STATUS BITS ON THE STACK )
  . TERM_EMIT ;                          ( RETURN STATUS )

: OPEN_SH1                               ( OPEN SHUTTER #1 )
  PORTA C@ T-6 PORTA C!                   ( WRITE BIT TO PORTA )
  1 DWAIT SHTR_STS 1 AND
  IF 0 . ELSE -1 . THEN TERM_EMIT ;

: OPEN_SH2                               ( OPEN SHUTTER #2 )
  PORTA C@ T-5 PORTA C!                   ( WRITE BIT TO PORTA )
  1 DWAIT SHTR_STS 2 AND
  IF 0 . ELSE -2 . THEN TERM_EMIT ;

: CLOSE_SH1                              ( CLOSE SHUTTER #1 )
  PORTA C@ F-6 PORTA C!                   ( WRITE BIT TO PORTA )
  1 DWAIT SHTR_STS 1 AND
  IF -1 . ELSE 0 . THEN TERM_EMIT ;

: CLOSE_SH2                              ( CLOSE SHUTTER #2 )
  PORTA C@ F-5 PORTA C!                   ( WRITE BIT TO PORTA )
  1 DWAIT SHTR_STS 2 AND
  IF -2 . ELSE 0 . THEN TERM_EMIT ;
```

```

: OPEN_SHTS                ( OPEN BOTH SHUTTERS SIMULTANEOUSLY )
  OPS                      ( WRITE BITS TO PORTA )
  1 DWAIT SHTR_STS DUP 3 =
  IF DROP 0 . ELSE -4 OR . THEN TERM_EMIT ;

: CLOSE_SHTS              ( CLOSE BOTH SHUTTERS SIMULTANEOUSLY )
  CLS                      ( WRITE BITS TO PORTA )
  1 DWAIT SHTR_STS DUP 3 AND
  IF -4 AND . ELSE DROP 0 . THEN TERM_EMIT ;

: CCD_BIAS                ( READ OUT A BIAS FRAME )
  CLS CLEAR CLEAR CLEAR READ TERM_EMIT ;

: 2BIN                   ( SET TO 2x2 BINNING )
  2 SBINNUM ! 2 PBINNUM ! 256 SREADLEN ! 256 PREADLEN !
  INIT-FORMAT TERM_EMIT ;

: 1BIN                   ( SET TO 1x1 BINNING )
  1 SBINNUM ! 1 PBINNUM ! 516 SREADLEN ! 516 PREADLEN !
  INIT-FORMAT TERM_EMIT ;

: CCD_GAIN                ( SET THE CCD A/D CONVERTER GAIN )
  GETNUM DUP 2 > IF DROP -1 . ELSE CGAIN 0 .
  THEN TERM_EMIT ;

: DARK                   ( DARK EXPOSURE IN DECISECONDS )
  GETNUM DUP 1 < IF DROP -1 .
  ELSE DDARK THEN TERM_EMIT ;

: DEFAULT                ( SET CCD TO DEFAULT PARAMETERS )
( INITIALIZE FORMAT PARAMETERS TO DEFAULTS )
  DECIMAL
  516 SLENGTH !
  516 PLENGTH !
  1 SBINNUM !
  1 PBINNUM !
  20 SPRESCAN !
  0 SPOSTSCAN !
  0 PPRESCAN !
  0 PPOSTSCAN !
  516 SREADLEN !
  516 PREADLEN !
  INIT-FORMAT
  TERM_EMIT ;
                                     ( SEND THESE TO THE DSP )

```

```

: EXPOSE                                ( EXPOSE CCD )
  GETNUM DUP 2 < IF DROP -1 .
  ELSE CLS CLEAR OPS 1 DWAIT
  SHTR_STS DUP 3 = IF DROP 1 - DWAIT CLS
  1 DWAIT 0 . ELSE CLS -4 OR .
  THEN THEN TERM_EMIT ;

: FOCUS                                  ( FOCUS LOOP ) ( NOT YET IMPLEMENTED )
  TERM_EMIT ;

DECIMAL

: OBS      ( 'OBSERVE': OPEN SHUTTERS SEPERATELY, CHECK PHOTODIODE )
  0 ERRSTS ! GETNUM DUP 2 <      ( GET EXPOSURE TIME IN DECISECONDS )
  1 ERRCHK                        ( CHECK FOR ERROR: LIMIT CHECK )
  IF DUP 2 <                      ( MAKE SURE <EXP> IS > 1 )
  IF DROP 2 THEN

  CLS CLEAR                        ( SHTS CLOSED? CLEAR CCD )
  PORTA C@ T-6 PORTA C!           ( OPEN FRONT SHUTTER: SH1 )
  1 DWAIT SHTR_STS 1 AND 0=       ( WAIT AND CHECK IF OPEN )

  2 ERRCHK                        ( CHECK FOR ERROR: OPENING SH1 )

  IF
  SET-NOSCAN SET-SINGLE           ( SET UP ADC MODE )
  SET-CH4 4ADC@                  ( READ ADC CHANNEL 4 )
  + + + 4 / DUP                  ( TAKE AVERAGE )

  180 > 4 ERRCHK                 ( CHECK FOR ERROR: INT. IN AGC MODE )
  IF
  PORTA C@ T-5 PORTA C!         ( IF NOT OPEN BACK SHTR: SH2 )
  1 DWAIT SHTR_STS 2 AND 0=     ( WAIT AND CHECK IF OPEN )

  8 ERRCHK                       ( CHECK FOR ERROR: OPENING SH2 )
  IF
  SWAP 1 - DWAIT CLS READ       ( WAIT <N> DSECS, CLOSE SHTS, READ CCD )
  SHTR_STS 16 ERRCHK DROP      ( CHECK FOR ERROR: CLOSING SHUTTERS )

  ELSE DROP CLS THEN            ( DROP <AGC>: CLS ERRCHK )
  ELSE DROP CLS THEN            ( DROP <AGC>: AGC ERRCHK )
  ELSE CLS THEN                 ( CLOSE SHTS: SH1 ERRCHK )
  THEN                          ( LIMIT ERRCHK )

  ERRLVL @ 0=                   ( IF NO ERROR REPORT... )
  IF .                           ( OUTPUT AGC VALUE )

```

```

ELSE ERRSTS @ DUP 0=          ( ELSE, CHECK ERROR WORD      )
  IF DROP .                   ( NO ERROR, DROP ERROR AND RETURN AGC )
  ELSE NEGATE . DROP THEN     ( RETURN -ERROR CODE AND DROP AGC   )
  THEN TERM_EMIT ;           ( AND RETURN TERMINATING CHARACTER )

: SET-ERR                      ( SET ERROR LEVEL      )
  GETNUM DUP                  ( GET DESTINATION     )
  2 > IF DROP -1 ELSE DUP     ( ERRLVL > 2, ERROR   )
  0 < IF DROP -1 ELSE        ( ERRLVL < 0, ERROR   )
  ERRLVL ! 0 THEN THEN       ( STORE THE ERRLVL    )
  . TERM_EMIT ;              ( RETURN WITH CODE    )

: HWED                          ( HORIZONTAL WEDGE 12 BIT TEST PATTERN )
  SHADE TERM_EMIT ;

: DWED                          ( DIAGONAL WEDGE 12 BIT TEST PATTERN )
  ( NOT YET IMPLEMENTED ) TERM_EMIT ;

: CCD_CLR                       ( CLEAR THE CCD        )
  CLEAR TERM_EMIT ;

: CCD_READ                      ( READ OUT THE CCD     )
  READ TERM_EMIT ;

HEX
: SET_FILPOS                    ( SET FILTER POSITION AND WAIT FOR FILTER WHEEL )
  GETNUM DUP 5 >              ( GET DESTINATION      )
  IF DROP -6                  ( DESTINATION > 5, ERROR )
  ELSE DUP 1 <                ( DESTINATION < 1, ERROR )
  IF DROP -6
  ELSE
  MIPCTL C@ F8 AND OR         ( SET WITH PREVIOUS COMMAND )
  CTL!                        ( STORE NEW COMMAND AND OUTPUT )

  32 0 DO                     ( SET UP A WAIT LOOP FOR MOVEMENT )
  14 MWAIT                    ( WAIT 20 MILLISECONDS )
  CTL@ 07 AND DUP             ( GET INPUT BYTE AND MASK )
  MIPCTL C@ 07 AND =          ( COMPARE WITH FW COMMAND )
  IF LEAVE                    ( TERMINATE THE LOOP: FW PC ON STACK )
  ELSE I 31 =                 ( CHECK TO NUMBER OF WAITS... )
  IF NEGATE LEAVE THEN        ( TIMEOUT ERROR: -FW POS ON STACK )
  THEN DROP LOOP              ( END OF WAIT FOR MOVEMENT LOOP )

  THEN                          ( LIMIT CHECKS IF-ELSE-THEN'S )

```

```

THEN . TERM_EMIT ;          ( RETURN )

: SET_INTGAIN                ( SET INTENSIFIER GAIN AND CHECK INTENSIFIER )
  GETNUM DUP                ( GET INTENSIFIER GAIN )
  3 > IF DROP -6 ELSE DUP   ( GAIN > 3, ERROR )
  0 < IF DROP -6 ELSE       ( GAIN < 0, ERROR )
  HEX 3 AND 2* 2* 2*        ( MASK AND SHIFT INPUT )
  MIPCTL C@ E7 AND OR      ( SET PREVIOUS COMMAND )
  CTL!                      ( OUTPUT TO INTERFACE )
  1 MWAIT                   ( WAIT A MILLISECOND )
  CTL@ 30 AND DUP           ( GET INPUT BYTE AND MASK )
  2/ 2/ 2/ 2/ SWAP         ( LEAVE SHIFTED INT GAIN ON STACK )
  MIPCTL C@ 18 AND 2*       ( COMPARE WITH MASKED COMMAND )
  = NOT IF NEGATE THEN      ( CREATE ERROR CODE: -INTGAIN )
  THEN THEN                 ( LIMIT CHECK IF-ELSE-THEN'S )
  DECIMAL . TERM_EMIT ;    ( RETURN )

: INT_ON                      ( TURN ON THE IMAGE INTENSIFIER )
  MIPCTL C@ T-5 CTL! TERM_EMIT ;

: INT_OFF                     ( TURN OFF THE IMAGE INTENSIFIER )
  MIPCTL C@ F-5 CTL! TERM_EMIT ;

: RD_INTGAIN                  ( READ THE INTENSIFIER GAIN )
  CTL@ 30 AND                ( READ AND MASK INPUT BYTE )
  2/ 2/ 2/ 2/               ( SHIFT DATA TO B0-B1 )
  . TERM_EMIT ;             ( RETURN GAIN )

: RD_FILPOS                   ( READ THE FILTER WHEEL POSITION )
  CTL@ 7 AND                 ( READ AND MASK INPUT BYTE )
  . TERM_EMIT ;             ( RETURN POSITION )

: SET_MIPBYTE                 ( SET THE MIP OUTPUT BYTE )
  GETNUM CTL! TERM_EMIT ;   ( OUTPUT BYTE AND RETURN )

: RD_MIPBYTE                  ( READ THE MIP INPUT BYTE )
  CTL@ DECIMAL . TERM_EMIT ; ( READ INPUT BYTE AND RETURN )

: RD_POSERR                   ( READ THE FW POS. ERROR BIT )
  CTL@ MASK-3                ( READ INPUT BYTE, MASK )
  0> . TERM_EMIT ;         ( AND RETURN STATUS )

```

DECIMAL

: RD_TEMPS DECIMAL (READ THE FOUR SYSTEM TEMPERATURES)

```

SET-NOSCAN SET-SINGLE ( SET UP ADC MODE )
SET-CH0 4ADC@ + + + 4 / . ( READ CCD TEMP )
SET-CH1 4ADC@ + + + 4 / . ( READ TEC TEMP )
SET-CH2 4ADC@ + + + 4 / . ( READ INT TEMP )
SET-CH3 4ADC@ + + + 4 / . ( READ FILT TEMP )
TERM_EMIT ; ( AND RETURN VALUES )

```

: RD_INTBRT DECIMAL (READ THE BRIGHTNESS OF INTENSIFIER ANODE)

```

SET-NOSCAN SET-SINGLE SET-CH4 ( SET UP ADC MODE )
4ADC@ + + + 4 / . TERM_EMIT ; ( AND RETURN AVERAGE )

```

(Set up MIP Command List for MIP Command loop !)

:CASE MIP_CMD

```

SYSTEM ( 0 ) COLD ( 1 )
CCD_BIAS ( 2 ) CCD_READ ( 3 )
CCD_CLR ( 4 ) IBIN ( 5 )
2BIN ( 6 ) DEFAULT ( 7 )
CCD_GAIN ( 8 ) DARK ( 9 )
OBS ( 10 ) EXPOSE ( 11 )
FOCUS ( 12 ) HWED ( 13 )
SET-ERR ( 14 ) DWED ( 15 )
OPEN_SH1 ( 16 ) OPEN_SH2 ( 17 )
CLOSE_SH1 ( 18 ) CLOSE_SH2 ( 19 )
OPEN_SHTS ( 20 ) CLOSE_SHTS ( 21 )
SET_FILPOS ( 22 ) SET_INTGAIN ( 23 )
SET_MIPBYTE ( 24 ) INT_ON ( 25 )
INT_OFF ( 26 ) RD_SHTRS ( 27 )
RD_FILPOS ( 28 ) RD_MIPBYTE ( 29 )
RD_INTGAIN ( 30 ) RD_POSERR ( 31 )
RD_TEMPS ( 32 ) RD_INTBRT ( 33 ) ;

```

(END OF MIP_CMD LIST 6/4/91 CAL)

34 CONSTANT NUM_CMND

(MIP COMMAND LOOP USING SYSTEM COP 6/22/91 CAL)

: MIP (COMMAND LOOP FOR MIP USER)

```

." MIP Control Software Version: 10 " CR
." Hit '0' to return to FORTH Kernel " CR
TERM_EMIT ( EMIT # FOR ACKNOWLEDGMENT )
BEGIN ?TERMINAL ( CHECK FOR TERMINAL )
IF KEY 48 . DUP ( NORMALIZE COMMAND FROM ASCII TO INT )

```



```

DUP 0 < NOT SWAP NUM_CMND < AND          ( CHECK FOR LIMITS )
IF DUP MIP_CMD THEN                      ( GET COMMAND AND EXECUTE )
ELSE 1                                    ( 0 FOR LOOP CONTROL )
THEN                                       ( TEST FOR "SYSTEM" COMMAND )
WHILE                                      ( IF, NOT CONTINUE LOOP )
( EXECUTE SYSTEM COP UTILITIES )
REPEAT ;

```

(Note: To start the 68HC11 off in the MIP program from autostart)
(the commands: INIT and MIP must be added to the end)
(of RESTORE which is the present autostart routine. CAL)

HEX

```

: MIPINIT
1 B400 C!                                ( SET MIP INTERFACE: F1, IG0, INT_OFF )
HEX

```

CR ." RETRIEVING THE DICTIONARY " CR (START THE RESTORE PROCESS)

```

6104                                     ( START ADDR. OF DICTIONARY IN EEPROM )
200                                       ( START ADDR. OF DICTIONARY IN RAM )
6100 @ 6102 @                             ( GET END AND START OF RAM DICT )
-                                         ( SUBTRACT TO GET DICTIONARY LENGTH )
CMOVE                                     ( MOVE DICTIONARY )

```

." RETRIEVING FORTH USER AREA " CR

```

6100 @                                   ( GET THE RAM DICT END ADDRESS )
6102 @                                   ( GET THE RAM DICT START ADDRESS )
-                                         ( NOW WE'VE GOT THE DICTIONARY LENGTH )
6104 +                                   ( ADD EEDICT OFFSET TO GET )
                                         ( ADDR OF USER AREA IN EEPROM )
6 84 CMOVE                               ( MOVE USER AREA )

```

CR ." RETRIEVE STATE COMPLETE " CR
INIT MIP ;

HEX

EPROM CONSTANT MSTART

```

( Autostart Store routine -- stores the starting address of MIPINIT )
( into the auto-start address of the EEPROM. CAUTION ***** )
( This must come last in your dictionary, and make sure you STORE )
( any changes to the dictionary first, before doing this and then )

```

(rebooting the computer -- I learned the hard way!!!)

```
: MSTART!  
EEUNPROT  
A44A DUP MSTART EE-!  
{ ' MIPINT ] LITERAL CFA  
DICT-START -  
EEDICT-START +  
DUP MSTART 2+ EE-!  
EPROT  
CR ." AUTOSTART SEQUENCE STORED " CR ;
```

End of MIP10.FOR

8.2 KEOasm7

Advanced Technologies Code

FORGET CODE-SUB

HEX

100 TIB !

100 TIB 2+ !

200 DP !

(KEO CAMERA CODE)

()

(FORTH CODE FOR CONTROL OF THE KEO CAMERA.)

(THIS SOFTWARE IS DIVIDED INTO)

(KEOASM.FOR FORTH ASSEMBLER CODE FOR THE KEO CAMERA SYSTEM)

(WRITTEN IN FORTH AND SUPPLIED BY NEW MICROS INC.)

: CODE-SUB [COMPILE] CODE-SUB [COMPILE] ASSEMBLER ; IMMEDIATE

ASSEMBLER DEFINITIONS

VARIABLE MODE

: # 00 MODE ! ;

: DIR 10 MODE ! ;

: ,X 20 MODE ! ;

: ,Y 120 MODE ! ;

: EXT 30 MODE ! ;

: ?# MODE @ 0 = ;

: ?DIR MODE @ 10 = ;

: ?,X MODE @ 20 = ;

: ?,Y MODE @ 120 = ;

: ?EXT MODE @ 30 = ;

: MODE-LSB MODE @ FF AND ;

: ERROR ' ID. CFA 4A + EXECUTE ;

: RANGE-C, DUP FF00 AND IF HERE 1+ SWAP - DUP ABS FF00 AND

IF 3 ERROR THEN THEN C, ;

: CPU <BUILDS C, DOES> C@ C, EXT ; (SINGLE BYTE OP-CODE)

: PG-2-CPU <BUILDS C, DOES> 18 C, C@ C, EXT ; (18 AND SINGLE BYTE OP-CODE)

: HHLL/LL, ?EXT IF , ELSE C, THEN EXT ;

: 2HHLL/LL, ?EXT ?# OR IF , ELSE C, THEN EXT ;

: MODE-ADJ, (a n --- a)

?EXT IF OVER FF00 AND 0= IF DIR THEN THEN MODE-LSB OR C, ;

: 18,Y ?,Y IF 18 C, THEN ;

: SOK? ?# IF 3 ERROR THEN ;

: 1112-CPU <BUILDS C, DOES> 18,Y C@ MODE-ADJ, HHLL/LL, ;

```

: 0112-CPU <BUILDS C, DOES> 18,Y SOK? C@ MODE-ADJ, HHLL/LL, ;
: 2112-CPU <BUILDS C, DOES> 18,Y C@ MODE-ADJ, 2HHLL/LL, ;
: (OP-DD-MM) 18,Y MODE-LSB IF C OR THEN C, C, C, ;
: OP-RR <BUILDS C, DOES> C@ C, RANGE-C, EXT ;
: OP-DD-MM <BUILDS C, DOES> C@ (OP-DD-MM) EXT ;
: OP-DD-MM-RR <BUILDS C, DOES> C@ (OP-DD-MM) RANGE-C, EXT ;
: CPX, ?,Y IF CD C, THEN 8C MODE-ADJ, 2HHLL/LL, ;
: LDX, ?,Y IF CD C, THEN CE MODE-ADJ, 2HHLL/LL, ;
: STX, ?,Y IF CD C, THEN SOK? CF MODE-ADJ, HHLL/LL, ;
: CPY, ?,X IF 1A ELSE 18 THEN C, CC MODE-ADJ, 2HHLL/LL, ;
: LDY, ?,X IF 1A ELSE 18 THEN C, CE MODE-ADJ, 2HHLL/LL, ;
: STY, ?,X IF 1A ELSE 18 THEN C, SOK? CF MODE-ADJ, HHLL/LL, ;
: CPD, ?,Y IF CD C, ELSE 1A C, THEN 83 MODE-ADJ, 2HHLL/LL, ;
00 CPU TEST,
01 CPU NOP,
02 CPU IDIV,
03 CPU FDIV,
04 CPU LSRD,
05 CPU ASLD, 05 CPU LSLD,
06 CPU TAP,
07 CPU TPA,
08 CPU INX,
09 CPU DEX,
0A CPU CLV,
0B CPU SEV,
0C CPU CLC,
0D CPU SEC,
0E CPU CLI,
0F CPU SEI,
10 CPU SBA,
11 CPU CBA,
12 OP-DD-MM-RR BRSET,
13 OP-DD-MM-RR BRCLR,
14 OP-DD-MM BSET,
15 OP-DD-MM BCLR,
16 CPU TAB,
17 CPU TBA,
( 18 PAGE 2 )
19 CPU DAA,
( 1A PAGE 3 )
1B CPU ABA,
( 1C BSET,
( 1D BCLR,
( 1E BRSET,
( 1F BRCLR,

```

20 OP-RR BRA,
21 OP-RR BRN,
22 OP-RR BHI,
23 OP-RR BLS,
24 OP-RR BCC,
24 OP-RR BHS,
25 OP-RR BCS,
25 OP-RR BLO,
26 OP-RR BNE,
27 OP-RR BEQ,
28 OP-RR BVC,
29 OP-RR BVS,
2A OP-RR BPL,
2B OP-RR BMI,
2C OP-RR BGE,
2D OP-RR BLT,
2E OP-RR BGT,
2F OP-RR BLE,
30 CPU TSX,
31 CPU INS,
32 CPU PULA,
33 CPU PULB,
34 CPU DES,
35 CPU TXS,
36 CPU PSHA,
37 CPU PSHB,
38 CPU PULX,
39 CPU RTS,
3A CPU ABX,
3B CPU RTI,
3C CPU PSHX,
3D CPU MUL,
3E CPU WAI,
3F CPU SWI,
40 CPU NEGA,
(41 NC)
(42 NC)
43 CPU COMA,
44 CPU LSRA,
(45 NC)
46 CPU RORA,
47 CPU ASRA,
48 CPU ASLA,
49 CPU ROLA,
4A CPU DECA,

(4B NC)
4C CPU INCA,
4D CPU TSTA,
(4E NC)
4F CPU CLRA,
50 CPU NEGB,
(51 NC)
(52 NC)
53 CPU COMB,
54 CPU LSRB,
(55 NC)
56 CPU RORB,
57 CPU ASRB,
58 CPU ASLB,
59 CPU ROLB,
5A CPU DECB,
(5B NC)
5C CPU INCB,
5D CPU TSTB,
(5E NC)
5F CPU CLRB,
(60-7F)
40 1112-CPU NEG,
43 1112-CPU COM,
44 1112-CPU LSR,
46 1112-CPU ROR,
47 1112-CPU ASR,
48 1112-CPU ASL,
49 1112-CPU ROL,
4A 1112-CPU DEC,
4C 1112-CPU INC,
4D 1112-CPU TST,
4E 1112-CPU JMP,
4F 1112-CPU CLR,
(80-BF)
80 1112-CPU SUBA,
81 1112-CPU CMPA,
82 1112-CPU SBCA,
83 2112-CPU SUBD,
84 1112-CPU ANDA,
85 1112-CPU BITA,
86 1112-CPU LDAA,
87 0112-CPU STAA,
88 1112-CPU EORA,
89 1112-CPU ADCA,

8A 1112-CPU ORAA,
 8B 1112-CPU ADDA,
 (8C CPX,
 8D 0112-CPU JSR,
 8E 2112-CPU LDS,
 8F 0112-CPU STS,
 8F CPU XGDX,
 (C0-FF)
 C0 1112-CPU SUBB,
 C1 1112-CPU CMPB,
 C2 1112-CPU SBCB,
 C3 2112-CPU ADDD,
 C4 1112-CPU ANDB,
 C5 1112-CPU BITB,
 C6 1112-CPU LDAB,
 C7 0112-CPU STAB,
 C8 1112-CPU EORB,
 C9 1112-CPU ADCB,
 CA 1112-CPU ORAB,
 CB 1112-CPU ADDB,
 CC 2112-CPU LDD,
 CD 0112-CPU STD,
 (CE LDX,)
 (CF STX,)
 CF CPU STOP,
 08 PG-2-CPU INY,
 09 PG-2-CPU DEY,
 30 PG-2-CPU TSY,
 35 PG-2-CPU TYS,
 38 PG-2-CPU PULY,
 3A PG-2-CPU ABY,
 3C PG-2-CPU PSHY,
 8F PG-2-CPU XGDY,
 8D OP-RR BSR,
 : TOP ,Y 0 ; (ADDRESS THE BOTTOM OF THE STACK *)
 : SEC ,Y 2 ; (ADDRESS SECOND ITEM ON STACK *)
 : ?EXEC STATE @ IF 12 ERROR THEN ;
 : ?PAIRS - IF 13 ERROR THEN ;
 : BEGIN, HERE 1 ;
 : UNTIL, ?EXEC >R 1 ?PAIRS R> C, HERE 1+ - C, ;
 : AGAIN, 21 UNTIL, ;
 : IF, C, HERE 0 C, 2 ;
 : THEN, ?EXEC 2 ?PAIRS HERE OVER 1+ - SWAP C! ;
 : ELSE, 2 ?PAIRS HERE 1+ 0 BRA,
 SWAP HERE OVER 1+ - SWAP C! 2 ;

: .NOT. 1 XOR ;

(REVERSE ASSEMBLY TEST)

20 CONSTANT .FL.

21 CONSTANT .TR.

22 CONSTANT .LS.

23 CONSTANT .HI.

24 CONSTANT .CS.

24 CONSTANT .LO.

25 CONSTANT .CC.

25 CONSTANT .HS.

26 CONSTANT .EQ.

27 CONSTANT .NE.

28 CONSTANT .VS.

29 CONSTANT .VC.

2A CONSTANT .--.

2B CONSTANT .++.

2C CONSTANT .LT.

2D CONSTANT .GE.

2E CONSTANT .LE.

2F CONSTANT .GT.

'@ CFA FE43 FE22 - + CONSTANT PUSHD

'@ CFA FE47 FE22 - + CONSTANT NEXTSD

'@ CFA FE47 FE22 - + CONSTANT PUT

'@ CFA FE4A FE22 - + CONSTANT NEXT

'@ CFA FE4C FE22 - + CONSTANT NEXT3

'@ CFA FE50 FE22 - + CONSTANT NEXT1

'@ CFA FE52 FE22 - + CONSTANT NEXT2

'1+ CFA FC97 FC7C - + CONSTANT POP

'1+ CFA FC93 FC7C - + CONSTANT POPTWO

0 CONSTANT W

2 CONSTANT IP

4 CONSTANT UP

FORTH DEFINITIONS

ASSEMBLER DEFINITIONS

: POPD, TOP LDD, INY, INY, ;

: PUTD, DEY, DEY, TOP STD, ;

FORTH DEFINITIONS

(PLEASE DOWNLOAD KEOROM FILE)

8.3 KEORom7

Advanced Technologies Code

```
( KEOROM.FOR )
(FORTH WORDS FOR DEALING WITH THE EEPROM ON THE KEO CONTROL )
( )
( REVISION 1 : 3.23.91 )
( BROKE THIS CODE OUT OF KEO6.FOR )
```

FORGET SP

: SP 20 EMIT ;

```
( THESE WORDS DEAL WITH THE OFF CHIP EEPROM WHERE WE STORE THE DEFAULT )
(SYSTEM DICTIONARY )
```

HEX

```
( EEPROT AND EEUNPROT ARE USED TO WRITE PROTECT THE EEPROM )
(THERE ARE SOME FUNNY NUMBERS IN HERE WHICH ARE HARD CODED )
(AND ASSUME THAT THE EEPROM STARTS AT $6000, WHICH IT DOES )
(RIGHT AT THE MOMENT. )
(THE ADDRESSES WE WANT TO WRITE TO, FROM THE CHIPS POINT )
(OFF VIEW, ARE $5555 AND $2AAA. THESE ADDRESSES ARE NOT )
(AVAILABLE FOR OUR EEPROM, BUT THE BOTTOM 14 BITS MUST BE )
(REPRESENTING THESE ADDRESSES, SO WE WILL SET THE TOP BIT )
(WHICH THE EEPROM DOES NOT EVEN SEE AND WRITE TO IT AT )
($D555 AND $AAAA )
```

CODE-SUB EEPROT

```
CE C, D5 C, 55 C, ( LDX #SD555 1ST EPROM ADDRESS )
86 C, AA C, ( LDAA #SAA 1ST DATA PATTERN )
A7 C, 00 C, ( STAA 0,X SEND AN AA TO $5555 )
CE C, AA C, AA C, ( LDX #SAAAA 2ND EPROM ADDRESS )
86 C, 55 C, ( LDAA #S55 2ND DATA PATTERN )
A7 C, 00 C, ( STAA 0,X SEND A 55 TO $2AAA )
CE C, D5 C, 55 C, ( LDX #SD555 3RD EPROM ADDRESS )
86 C, A0 C, ( LDAA #SA0 3RD DATA PATTERN )
A7 C, 00 C, ( STAA 0,X SEND AN A0 TO $5555 )
39 C, ( RTS RETURN )
```

END-CODE

CODE-SUB EEUNPROT

```
CE C, D5 C, 55 C, ( LDX #SD555 1ST EPROM ADDRESS )
86 C, AA C, ( LDAA #SAA 1ST DATA PATTERN )
A7 C, 00 C, ( STAA 0,X SEND AN AA TO $D555 )
CE C, AA C, AA C, ( LDX #SAAAA 2ND EPROM ADDRESS )
```

```

86 C, 55 C,          ( LDAA #S55  2ND DATA PATTERN  )
A7 C, 00 C,         ( STAA 0,X  SEND A 55 TO $AAAA  )
CE C, D5 C, 55 C,   ( LDX #SD555 3RD EPROM ADDRESS  )
86 C, 80 C,         ( LDAA #S80  3RD DATA PATTERN  )
A7 C, 00 C,         ( STAA 0,X  SEND AN 80 TO $D555  )
CE C, D5 C, 55 C,   ( LDX #SD555 4TH EPROM ADDRESS  )
86 C, AA C,         ( LDAA #SAA  4TH DATA PATTERN  )
A7 C, 00 C,         ( STAA 0,X  SEND AN AA TO $D555  )
CE C, AA C, AA C,   ( LDX #SAAAA 5TH EPROM ADDRESS  )
86 C, 55 C,         ( LDAA #S55  5TH DATA PATTERN  )
A7 C, 00 C,         ( STAA 0,X  SEND A 55 TO $AAAA  )
CE C, D5 C, 55 C,   ( LDX #SD555 6TH EPROM ADDRESS  )
86 C, 20 C,         ( LDAA #S20  6TH DATA PATTERN  )
A7 C, 00 C,         ( STAA 0,X  SEND A 20 TO $D555  )
39 C,               ( RTS      RETURN                )
END-CODE

```

(EPROM REPRESENTS WHERE IN EEPROM WE WANT TO START STORING THE DICTIONARY)
(WE WANT TO RESERVE SOME SPACE FOR AUTOSTART ROUTINES ETC SO WE START AT)
(256 BYTES ABOVE THE ACTUAL START OF THE EEPROM OR \$6100)

6000 CONSTANT EPROM
6104 CONSTANT EEDICT-START
200 CONSTANT DICT-START

```

: EE-! 2DUP ! BEGIN 2DUP @ = UNTIL DROP DROP ;
: EE-C! 2DUP C! BEGIN 2DUP C@ = UNTIL DROP DROP ;

: EETEST AFFF EPROM DO AA I DUP . CR EE-C! LOOP ;

```

(STORE THE CURRENT STATE OF THE FORTH MACHINE)
(AND THE USER ADDED DICTIONARY TO EXTERNAL EPROM)

VARIABLE PROMLOC

```

: STORE
  EEUNPROT
  EPROM 100 + PROMLOC !
  ( WE WILL STORE THE DICTIONARY END ADDRESS AT $6100 )
  HERE PROMLOC @ EE-!

```

(INCREMENT THE PROMLOC POINTER BY 2)
PROMLOC @ 2+ PROMLOC !

```

DICT-START PROMLOC @ EE-!      ( WE WILL STORE THE DICTIONARY )
                                   ( START ADDRESS AT $6102 )

PROMLOC @ 2+ PROMLOC !          ( POINT TO THE START OF )
                                   ( THE EEPROM DICTIONARY )

." STORING DICTIONARY " CR      ( MOVE THE DICTIONARY TO EEPROM )
HERE DICT-START DO              (... ONE BYTE AT A TIME )
I C@ PROMLOC @ EE-C!
PROMLOC @ 1+ PROMLOC !
LOOP

." STORING FORTH USER AREA " CR ( WE WILL STORE THE FORTH USER )
84 6 DO                          ( AREA DIRECTLY ABOVE THE DICT )
I C@ PROMLOC @ EE-C!
PROMLOC @ 1+ PROMLOC !
LOOP

EEPROT
CR ." STORE COMPLETE " CR
." ENDED AT " PROMLOC @ U. CR
EEPROT ;

```

HEX

```

( REPLACE THE CURRENT STATE OF THE FORTH MACHINE )
( USER ADDED DICTIONARY FROM EXTERNAL EPROM )
( RAM DICT END ADDRESS AT $6100 )
( RAM DICT START ADDRESS AT $6102 )
( EE-DICT STARTS AT ADDRESS $6104 )

```

: RESTORE

```

HEX
CR ." RETRIEVING THE DICTIONARY " CR

6104      ( START ADDR. OF DICTIONARY IN EEPROM )
200       ( START ADDR. OF DICTIONARY IN RAM )
6100 @ 6102 @ ( GET END AND START OF RAM DICT )
-         ( SUBTRACT TO GET DICTIONARY LENGTH )
CMOVE    ( MOVE DICTIONARY )

```

```

." RETRIEVING FORTH USER AREA " CR

```

```

6100 @          ( GET THE RAM DICT END ADDRESS      )
6102 @          ( GET THE RAM DICT START ADDRESS   )
-              ( NOW WE'VE GOT THE DICT LENGTH     )
6104 +          ( ADD EEDICT OFFSET TO GET         )
              ( ADDR OF USER AREA IN EEPROM      )
6 84 CMOVE     ( MOVE USER AREA                   )

```

CR ." RETRIEVE STATE COMPLETE " CR ;

HEX

```

: DICT-CHK      ( END START --                      )
  CR
  DO I DUP C@
  SWAP EEDICT-START + DICT-START - C@ =
  IF
  ELSE
  I DUP . SP C@ . SP          ( RAM ADDR, VAL )
  I EEDICT-START + DICT-START - DUP . SP C@ . SP ( ROM ADDR, VAL )
  ." ?????? " CR THEN
  ( ERROR MSG )
  100 0 DO LOOP
  LOOP ;

```

(PLEASE DOWNLOAD THE FILE KEODSP)

8.4 KEOdsp7

Advanced Technologies Code

```
(           KEODSP.FOR           )  
( FORTH WORDS FOR DEALING WITH THE DSP ON THE KEO CAMERA CONTROLLER )  
( REVISION 1 : 3.23.91           )  
( BROKE THIS CODE OUT OF KEO6.FOR )
```

FORGET FALSE

0 CONSTANT FALSE

1 CONSTANT TRUE

B000 CONSTANT PORTA
B002 CONSTANT PIOC
B004 CONSTANT PORTB
B003 CONSTANT PORTC
B005 CONSTANT PORTCL
B007 CONSTANT DDRC
B008 CONSTANT PORTD
B009 CONSTANT DDRD
B00A CONSTANT PORTE
B00B CONSTANT CFORC
B00C CONSTANT OC1M
B00D CONSTANT OC1D
B00E CONSTANT TCNT
B010 CONSTANT TIC1
B012 CONSTANT TIC2
B014 CONSTANT TIC3
B016 CONSTANT TOC1
B018 CONSTANT TOC2
B01A CONSTANT TOC3
B01C CONSTANT TOC4
B01E CONSTANT TOC5
B020 CONSTANT TCTL1
B021 CONSTANT TCTL2
B022 CONSTANT TMSK1
B023 CONSTANT TFLG1
B024 CONSTANT TMSK2
B025 CONSTANT TFLG2
B026 CONSTANT PACTL
B027 CONSTANT PACNT

: SET-C-IN 00 DDRC C! ;
: SET-C-OUT FF DDRC C! ;

(BIT MANIPULATIONS)

(MASK-X LEAVES TRUE IF BIT X SET ELSE FALSE)

: MASK-7 0080 AND ;
: MASK-6 0040 AND ;
: MASK-5 0020 AND ;
: MASK-4 0010 AND ;
: MASK-3 0008 AND ;
: MASK-2 0004 AND ;
: MASK-1 0002 AND ;
: MASK-0 0001 AND ;

(CH-X CHANGES ONLY BIT X OF NUMBER LEAVING RESULT ON STACK)

: CH-7 FF7F XOR NOT ;
: CH-6 FFBF XOR NOT ;
: CH-5 FFDF XOR NOT ;
: CH-4 FFEF XOR NOT ;
: CH-3 FFF7 XOR NOT ;
: CH-2 FFFB XOR NOT ;
: CH-1 FFFD XOR NOT ;
: CH-0 FFFE XOR NOT ;

(T-X MAKES CERTAIN BIT X IS TRUE REGARDLESS OF CURRENT STATE)

: T-7 DUP MASK-7 0= IF CH-7 THEN ;
: T-6 DUP MASK-6 0= IF CH-6 THEN ;
: T-5 DUP MASK-5 0= IF CH-5 THEN ;
: T-4 DUP MASK-4 0= IF CH-4 THEN ;
: T-3 DUP MASK-3 0= IF CH-3 THEN ;
: T-2 DUP MASK-2 0= IF CH-2 THEN ;
: T-1 DUP MASK-1 0= IF CH-1 THEN ;
: T-0 DUP MASK-0 0= IF CH-0 THEN ;

(F-X MAKES CERTAIN BIT X IS FALSE REGARDLESS OF CURRENT STATE)

: F-7 DUP MASK-7 IF CH-7 THEN ;
: F-6 DUP MASK-6 IF CH-6 THEN ;
: F-5 DUP MASK-5 IF CH-5 THEN ;
: F-4 DUP MASK-4 IF CH-4 THEN ;
: F-3 DUP MASK-3 IF CH-3 THEN ;
: F-2 DUP MASK-2 IF CH-2 THEN ;
: F-1 DUP MASK-1 IF CH-1 THEN ;
: F-0 DUP MASK-0 IF CH-0 THEN ;

(ROUTINES FOR READING AND WRITING DSP HOST CONTROL AND HOST DATA)

: HB! PORTC C! SET-C-OUT ;
: HB@ SET-C-IN PORTC C@ ;
: HCTL! PORTB C! ;
: HCTL@ PORTB C@ ;

(ROUTINES FOR SETTING THE HOST ADDRESS)

: HA0 HCTL@ F-0 F-1 F-2 HCTL! ;
: HA1 HCTL@ T-0 F-1 F-2 HCTL! ;
: HA2 HCTL@ F-0 T-1 F-2 HCTL! ;
: HA3 HCTL@ T-0 T-1 F-2 HCTL! ;
: HA5 HCTL@ T-0 F-1 T-2 HCTL! ;
: HA6 HCTL@ F-0 T-1 T-2 HCTL! ;
: HA7 HCTL@ T-0 T-1 T-2 HCTL! ;

(BIT MANIPULATIONS OF THE HOST CONTROL PORT)

: RD-EN HCTL@ T-3 HCTL! ;
: WR-EN HCTL@ F-3 HCTL! ;
: HACK HCTL@ F-4 HCTL! ;
: INIT-HOST 00 HB! F8 HCTL! ;
: DSP-RESET INIT-HOST HCTL@ DUP F-6 HCTL! T-6 HCTL! ;
: DSP-IRQB INIT-HOST HCTL@ DUP F-7 HCTL! T-7 HCTL! ;
: DSP-BOOT INIT-HOST HCTL@ DUP F-6 F-7 HCTL! DUP T-6 HCTL! T-7 HCTL!
;

: DR DSP-RESET ;
: BOOT DSP-BOOT ;
: EN-HOST HCTL@ F-5 HCTL! ;
: DIS-HOST HCTL@ T-5 HCTL! ;

: PULL-RESET INIT-HOST HCTL@ F-6 HCTL! ;
: PULL-IRQB INIT-HOST HCTL@ F-7 HCTL! ;

(ROUTINES FOR READING AND WRITING THE DSP'S INTERNAL HOST REGISTER)

: ICR@ HA0 RD-EN EN-HOST HB@ DIS-HOST ; (- ICR)
: ICR! HA0 WR-EN HB! EN-HOST DIS-HOST ; (BYTE -)
: CVR@ HA1 RD-EN EN-HOST HB@ DIS-HOST ; (- CVR)
: CVR! HA1 WR-EN HB! EN-HOST DIS-HOST ; (BYTE -)
: ISR@ HA2 RD-EN EN-HOST HB@ DIS-HOST ; (- ISR)
: ISR! HA2 WR-EN HB! EN-HOST DIS-HOST ; (BYTE -)
: RXH@ HA5 RD-EN EN-HOST HB@ DIS-HOST ; (- RXH)
: RXM@ HA6 RD-EN EN-HOST HB@ DIS-HOST ; (- RXM)
: RXL@ HA7 RD-EN EN-HOST HB@ DIS-HOST ; (- RXL)
: TXH! HA5 WR-EN HB! EN-HOST DIS-HOST ; (BYTE -)
: TXM! HA6 WR-EN HB! EN-HOST DIS-HOST ; (BYTE -)

```

: TXL!      HA7 WR-EN HB! EN-HOST DIS-HOST ;      ( BYTE - )
: CLR-TXH-TXM 00 DUP TXH! TXM! ;

```

(ROUTINES FOR INTERPRETING THE HOST REGISTERS)

```

: RXDF?   ISR@ MASK-0 ;      ( LEAVES TRUE IF RXDF BIT SET )
: TXDE?   ISR@ MASK-1 ;      ( LEAVES TRUE IF TXDE BIT SET )
: HF2?    ISR@ MASK-3 ;      ( TRUE IF HF2 SET )
: HF3?    ISR@ MASK-4 ;      ( TRUE IF HF3 SET )
: HREQ?   ISR@ MASK-7 ;      ( TRUE IF DSP IS CALLING HREQ )
: T-HF0   ICR@ T-3 ICR! ;    ( SETS HF0 TO TRUE )
: F-HF0   ICR@ F-3 ICR! ;    ( SETS HF0 TO FALSE )
: T-HF1   ICR@ T-4 ICR! ;    ( SETS HF1 TO TRUE )
: F-HF1   ICR@ F-4 ICR! ;    ( SETS HF1 TO FALSE )

```

```

: DSP-BUSY? HF2? ;
: DSP-WAIT BEGIN DSP-BUSY? 0= UNTIL ;

```

```

: HV!      ( VECTOR# - )
  DUP IF < IF T-7 CVR!
    ELSE ." VECTOR TOO LARGE "
    THEN ;

```

(ROUTINES FOR GETTING FILES FROM THE PC TO THE DSP)

```

: XLATE      ( ASCII-VALUE -- HEX-VALUE )
  DUP DUP
  2F > SWAP 40 < AND
  IF 30 -
  ELSE DUP DUP 40 > SWAP 47 < AND
  IF 37 -
  ELSE CR ." ILLEGAL CHARACTER RECIEVED " CR
  THEN
  THEN ;

```

VARIABLE END-ADDR

VARIABLE BOT-BUF

VARIABLE TOP-BUF

HERE END-ADDR !

2 ALLOT

HERE BOT-BUF !

600 ALLOT

HERE TOP-BUF !

TOP-BUF @ BOT-BUF @ - CONSTANT BUF-LENGTH

: DNLD


```

TOP-BUF @ BOT-BUF @
DO KEY DUP 24 =          ( IF CHAR = "5"          )
IF EMIT I 1- END-ADDR ! LEAVE ( STORE COUNTER AS END ADDR LEAVE )
ELSE DUP 20 =          ( IF ITS A SPACE          )
IF EMIT R> 1- >R      ( PRINT IT BUT DONT COUNT IT  )
ELSE DUP 0D =        ( IF ITS A CR            )
IF EMIT 0A EMIT R> 1- >R ( DO CR-LF DONT COUNT IT  )
ELSE DUP XLATE 10 * SWAP EMIT ( ELSE XLATE MULT BY $10 )
    ELSE CR ." DSP NOT READY "
    THEN
    UNTIL
    I C@ TXH!
    I 1+ C@ TXM!
    I 2+ C@ TXL!
    3 +LOOP T-HF0 ;

: SHOW-REGS CR
ICR@ ." ICR = " . CR
KEY DUP XLATE ROT + I C! EMIT
THEN
THEN
THEN
LOOP
CR ." DOWNLOAD COMPLETED " ;

: DSP-DUMP BEGIN DSP-BOOT ISR@ 6 = CVR@ 12 = AND UNTIL
END-ADDR @ BOT-BUF @ DO
BEGIN TXDE? DUP
IF
ISR@ ." ISR = " . CR
CVR@ ." CVR = " . CR
RXH@ ." RXH = " . CR
RXM@ ." RXM = " . CR
RXL@ ." RXL = " . CR ;

: SR SHOW-REGS ;

: GO DSP-BOOT SR DSP-DUMP ;

: DSP8@          ( READ FROM DSP - 8 BITS FROM RXL REG )
BEGIN RXDF? UNTIL RXL@ ;
: DSP16@         ( READ 16 BITS FROM DSP RXM AND RXL. REGISTERS )
BEGIN RXDF? UNTIL RXM@ FF ~ RXL@ + ;

```

: DSP8! (SEND 8 BITS TO DSP TXL REGISTER)
BEGIN TXDE? UNTIL TXL! ;

: DSP16! (SEND 16 BITS TO DSP TXM AND TXL REGS)
BEGIN TXDE? UNTIL DUP FF / TXM! TXL! ;

(PLEASE DOWNLOAD THE FILE KEADC)

8.5 KEOadc8

Advanced Technologies Code

(KEOADC FORTH CODE THAT CONTROLS THE ON BOARD ANALOG TO DIGITAL CONVERTER)

FORGET ADCTL

(ANALOG TO DIGITAL CONVERTER REGISTERS)

B030 CONSTANT ADCTL (CONVERTER CONTROL REGISTER)
B031 CONSTANT ADR1 (RESULT REGISTER 1)
B032 CONSTANT ADR2 (RESULT REGISTER 2)
B033 CONSTANT ADR3 (RESULT REGISTER 3)
B034 CONSTANT ADR4 (RESULT REGISTER 4)

: SET-SCAN ADCTL C@ T-5 ADCTL C! ; (SET CONTINUOUS CONVERSIONS)
: SET-NOSCAN ADCTL C@ F-5 ADCTL C! ; (SET SINGLE CONVERSION CYCLE)

: SET-SINGLE ADCTL C@ F-4 ADCTL C! ; (SETS SINGLE CHANNEL MODE)

: SET-CH0 SET-SINGLE ADCTL C@ F-0 F-1 F-2 F-3 ADCTL C! ;
: SET-CH1 SET-SINGLE ADCTL C@ T-0 F-1 F-2 F-3 ADCTL C! ;
: SET-CH2 SET-SINGLE ADCTL C@ F-0 T-1 F-2 F-3 ADCTL C! ;
: SET-CH3 SET-SINGLE ADCTL C@ T-0 T-1 F-2 F-3 ADCTL C! ;
: SET-CH4 SET-SINGLE ADCTL C@ F-0 F-1 T-2 F-3 ADCTL C! ;
: SET-CH5 SET-SINGLE ADCTL C@ T-0 F-1 T-2 F-3 ADCTL C! ;
: SET-CH6 SET-SINGLE ADCTL C@ F-0 T-1 T-2 F-3 ADCTL C! ;
: SET-CH7 SET-SINGLE ADCTL C@ T-0 T-1 T-2 F-3 ADCTL C! ;

: SET-MULT ADCTL C@ T-4 ADCTL C! ; (PUTS ADC IN MULTIPLEXED INPUT MODE)
: SET-GRP1 SET-MULT ADCTL C@ F-3 F-2 ADCTL C! ; (USE INPUT GROUP1, CH0-3)
: SET-GRP2 SET-MULT ADCTL C@ T-3 F-2 ADCTL C! ; (USE INPUT GROUP2, CH4-7)

: ADC-DONE? ADCTL C@ MASK-7 ; (TRUE IF A CONVERSION SEQUENCE IS COMPLETE)

(FETCH THE RESULTS OF THE CONVERSION)

: ADR1@ BEGIN ADC-DONE? UNTIL ADR1 C@ ; (FETCH #1)
: ADR2@ BEGIN ADC-DONE? UNTIL ADR2 C@ ; (FETCH #2)
: ADR3@ BEGIN ADC-DONE? UNTIL ADR3 C@ ; (FETCH #3)
: ADR4@ BEGIN ADC-DONE? UNTIL ADR4 C@ ; (FETCH #4)
: 4ADC@ BEGIN ADC-DONE? UNTIL
ADR1 C@ ADR2 C@ ADR3 C@ ADR4 C@ ; (FETCH THEM ALL)

: ADTEST2 SET-SCAN 100 00 DO SET-CH0 ADR1@ . CR LOOP ;

(PLEASE DOWNLOAD KEOTIM FILE)

8.6 KEOTim7

Advanced Technologies Code

(KEOTIM FORTH DEFINITIONS FOR TIMING STATES FOR KEO CAMERA)

(DEFINITIONS OF STATE CONSTANTS FOR USE IN THE KEO DSP CODE)

FORGET P1_HI

HEX

```
1  CONSTANT P1_HI  ( %0000000000000001 )
0  CONSTANT P1_LO
2  CONSTANT P2_HI  ( %0000000000000010 )
0  CONSTANT P2_LO
4  CONSTANT P3_HI  ( %0000000000000100 )
0  CONSTANT P3_LO
8  CONSTANT TG_HI   ( %0000000000001000 )
0  CONSTANT TG_LO
10 CONSTANT PIX_HI  ( %0000000000010000 )
0  CONSTANT PIX_LO
20 CONSTANT LEN_HI  ( %0000000000100000 )
0  CONSTANT LEN_LO
40 CONSTANT FEN_HI  ( %0000000010000000 )
0  CONSTANT FEN_LO
80 CONSTANT SCK_HI  ( %0000000010000000 )
0  CONSTANT SCK_LO
100 CONSTANT SW_HI  ( %0000000100000000 )
0  CONSTANT SW_LO
200 CONSTANT DCK_HI ( %0000001000000000 )
0  CONSTANT DCK_LO
400 CONSTANT DCR_HI ( %0000010000000000 )
0  CONSTANT DCR_LO
800 CONSTANT ADS_HI ( %0000100000000000 )
0  CONSTANT ADS_LO
```

(PS VALUES ARE INTERMEDIATE STATES FOR THE PARALLEL CLOCKS)

```
P1_HI P2_HI OR P3_HI OR TG_HI OR  CONSTANT PS0
P1_HI P2_LO OR P3_HI OR TG_HI OR  CONSTANT PS1
P1_HI P2_LO OR P3_LO OR TG_LO OR  CONSTANT PS2
P1_HI P2_HI OR P3_LO OR TG_LO OR  CONSTANT PS3
P1_LO P2_HI OR P3_LO OR TG_LO OR  CONSTANT PS4
P1_LO P2_HI OR P3_HI OR TG_HI OR  CONSTANT PS5
P1_LO P2_HI OR P3_HI OR TG_HI OR  CONSTANT PS6
```

P1_HI P2_HI OR P3_HI OR TG_HI OR CONSTANT PS7
P1_HI P2_HI OR P3_HI OR TG_HI OR CONSTANT PS8

(PAR_IDLE IS THE STATE IN WHICH TO LEAVE THE PARALLEL)
(CLOCKS WHEN THEY ARE NOT IN USE)

P1_HI P2_HI OR P3_HI OR TG_HI OR CONSTANT PAR_IDLE

(SPR VALUES ARE PRELIMINARY STATES FOR SERIAL PRESCAN PIXELS)

SCK_HI SW_LO OR PIX_LO OR LEN_HI OR FEN_LO OR DCK_LO OR DCR_LO
OR ADS_LO OR CONSTANT SPR0

SCK_LO SW_LO OR PIX_LO OR LEN_HI OR FEN_LO OR DCK_LO OR DCR_LO
OR ADS_LO OR CONSTANT SPR1

SCK_LO SW_LO OR PIX_LO OR LEN_HI OR FEN_LO OR DCK_LO OR DCR_LO
OR ADS_LO OR CONSTANT SPR2

SCK_LO SW_LO OR PIX_LO OR LEN_HI OR FEN_LO OR DCK_LO OR DCR_LO
OR ADS_LO OR CONSTANT SPR3

SCK_LO SW_LO OR PIX_LO OR LEN_HI OR FEN_LO OR DCK_LO OR DCR_HI
OR ADS_LO OR CONSTANT SPR4

SCK_LO SW_HI OR PIX_LO OR LEN_HI OR FEN_LO OR DCK_LO OR DCR_LO
OR ADS_LO OR CONSTANT SPR5

SCK_LO SW_LO OR PIX_LO OR LEN_HI OR FEN_LO OR DCK_LO OR DCR_LO
OR ADS_LO OR CONSTANT SPR6

SCK_LO SW_LO OR PIX_LO OR LEN_HI OR FEN_LO OR DCK_HI OR DCR_LO
OR ADS_LO OR CONSTANT SPR7

SCK_LO SW_LO OR PIX_LO OR LEN_HI OR FEN_LO OR DCK_LO OR DCR_LO
OR ADS_LO OR CONSTANT SPR8

SCK_LO SW_LO OR PIX_HI OR LEN_HI OR FEN_LO OR DCK_LO OR DCR_LO
OR ADS_HI OR CONSTANT SPR9

(SRD VALUES ARE INT. STATES FOR SERIAL READ PIXELS)

SCK_HI SW_LO OR PIX_LO OR LEN_LO OR FEN_LO OR DCK_LO OR DCR_LO
OR ADS_LO OR CONSTANT SRD0

SCK_LO SW_LO OR PIX_LO OR LEN_LO OR FEN_LO OR DCK_LO OR DCR_LO
OR ADS_LO OR CONSTANT SRD1

SCK_LO SW_LO OR PIX_LO OR LEN_LO OR FEN_LO OR DCK_LO OR DCR_LO
OR ADS_LO OR CONSTANT SRD2

SCK_LO SW_LO OR PIX_LO OR LEN_LO OR FEN_LO OR DCK_LO OR DCR_LO
OR ADS_LO OR CONSTANT SRD3

SCK_LO SW_LO OR PIX_LO OR LEN_LO OR FEN_LO OR DCK_LO OR DCR_HI
OR ADS_LO OR CONSTANT SRD4

SCK_LO SW_HI OR PIX_LO OR LEN_LO OR FEN_LO OR DCK_LO OR DCR_LO
OR ADS_LO OR CONSTANT SRD5

SCK_LO SW_LO OR PIX_LO OR LEN_LO OR FEN_LO OR DCK_LO OR DCR_LO
OR ADS_LO OR CONSTANT SRD6

SCK_LO SW_LO OR PIX_LO OR LEN_LO OR FEN_LO OR DCK_HI OR DCR_LO
OR ADS_LO OR CONSTANT SRD7
SCK_LO SW_LO OR PIX_HI OR LEN_LO OR FEN_LO OR DCK_LO OR DCR_LO
OR ADS_LO OR CONSTANT SRD8
SCK_LO SW_LO OR PIX_LO OR LEN_LO OR FEN_LO OR DCK_LO OR DCR_LO
OR ADS_HI OR CONSTANT SRD9

(SPST VALUES ARE INT. STATES FOR THE SERIAL POSTSCAN PIXELS)

SCK_HI SW_LO OR PIX_LO OR LEN_HI OR FEN_LO OR DCK_LO OR DCR_LO
OR ADS_LO OR CONSTANT SPST0
SCK_LO SW_LO OR PIX_LO OR LEN_HI OR FEN_LO OR DCK_LO OR DCR_LO
OR ADS_LO OR CONSTANT SPST1
SCK_LO SW_LO OR PIX_LO OR LEN_HI OR FEN_LO OR DCK_LO OR DCR_LO
OR ADS_LO OR CONSTANT SPST2
SCK_LO SW_LO OR PIX_LO OR LEN_HI OR FEN_LO OR DCK_LO OR DCR_LO
OR ADS_LO OR CONSTANT SPST3
SCK_LO SW_LO OR PIX_LO OR LEN_HI OR FEN_LO OR DCK_LO OR DCR_LO
OR ADS_LO OR CONSTANT SPST4
SCK_LO SW_HI OR PIX_LO OR LEN_HI OR FEN_LO OR DCK_LO OR DCR_LO
OR ADS_LO OR CONSTANT SPST5
SCK_LO SW_LO OR PIX_LO OR LEN_HI OR FEN_LO OR DCK_LO OR DCR_LO
OR ADS_LO OR CONSTANT SPST6
SCK_LO SW_LO OR PIX_LO OR LEN_HI OR FEN_LO OR DCK_HI OR DCR_LO
OR ADS_LO OR CONSTANT SPST7
SCK_LO SW_LO OR PIX_HI OR LEN_HI OR FEN_LO OR DCK_LO OR DCR_LO
OR ADS_LO OR CONSTANT SPST8
SCK_LO SW_LO OR PIX_LO OR LEN_HI OR FEN_LO OR DCK_LO OR DCR_LO
OR ADS_HI OR CONSTANT SPST9

(SER_IDLE IS THE STATE TO LEAVE THE SERIAL CONTROL BITS IN WHEN NOT IN USE
SCK_LO SW_LO OR PIX_LO OR LEN_HI OR FEN_LO OR DCK_LO OR DCR_LO
OR ADS_LO OR CONSTANT SER_IDLE

(PSTATES ARE FINAL STATES FOR PARALLEL CLOCKING

PS0 SER_IDLE OR CONSTANT PSTATE0
PS1 SER_IDLE OR CONSTANT PSTATE1
PS2 SER_IDLE OR CONSTANT PSTATE2
PS3 SER_IDLE OR CONSTANT PSTATE3
PS4 SER_IDLE OR CONSTANT PSTATE4
PS5 SER_IDLE OR CONSTANT PSTATE5
PS6 SER_IDLE OR CONSTANT PSTATE6
PS7 SER_IDLE OR CONSTANT PSTATE7

PS8 SER_IDLE OR CONSTANT PSTATES

(SPRE STATES ARE FINAL STATES FOR SERIAL PIXEL PRESCANNING

SPR0 PAR_IDLE OR CONSTANT SPRE0
SPR1 PAR_IDLE OR CONSTANT SPRE1
SPR2 PAR_IDLE OR CONSTANT SPRE2
SPR3 PAR_IDLE OR CONSTANT SPRE3
SPR4 PAR_IDLE OR CONSTANT SPRE4
SPR5 PAR_IDLE OR CONSTANT SPRE5
SPR6 PAR_IDLE OR CONSTANT SPRE6
SPR7 PAR_IDLE OR CONSTANT SPRE7
SPR8 PAR_IDLE OR CONSTANT SPRE8
SPR9 PAR_IDLE OR CONSTANT SPRE9

(SREAD STATES ARE FINAL STATES FOR SERIAL PIXEL READING

SRD0 PAR_IDLE OR CONSTANT SREAD0
SRD1 PAR_IDLE OR CONSTANT SREAD1
SRD2 PAR_IDLE OR CONSTANT SREAD2
SRD3 PAR_IDLE OR CONSTANT SREAD3
SRD4 PAR_IDLE OR CONSTANT SREAD4
SRD5 PAR_IDLE OR CONSTANT SREAD5
SRD6 PAR_IDLE OR CONSTANT SREAD6
SRD7 PAR_IDLE OR CONSTANT SREAD7
SRD8 PAR_IDLE OR CONSTANT SREAD8
SRD9 PAR_IDLE OR CONSTANT SREAD9

(SPOST STATES ARE FINAL STATES FOR SERIAL PIXEL POSTSCANNING)

SPST0 PAR_IDLE OR CONSTANT SPOST0
SPST1 PAR_IDLE OR CONSTANT SPOST1
SPST2 PAR_IDLE OR CONSTANT SPOST2
SPST3 PAR_IDLE OR CONSTANT SPOST3
SPST4 PAR_IDLE OR CONSTANT SPOST4
SPST5 PAR_IDLE OR CONSTANT SPOST5
SPST6 PAR_IDLE OR CONSTANT SPOST6
SPST7 PAR_IDLE OR CONSTANT SPOST7
SPST8 PAR_IDLE OR CONSTANT SPOST8
SPST9 PAR_IDLE OR CONSTANT SPOST9

(TSTATES ARE FINAL STATES FOR CLOCKING TEST DATA)

PAR_IDLE SCK_HI OR SW_HI OR PIX_LO OR LEN_HI OR FEN_HI OR DCK_HI
OR CONSTANT TSTATE0

(PLEASE DOWNLOAD KEOCMD FILE)

8.7 KEOcmd7

Advanced Technologies Code

(KEOCMD FORTH CODE FOR KEO CAMERA COMMANDS)

(CONSTANTS FOR COMMAND VECTORS)

92 CONSTANT CMD_STATES
93 CONSTANT CMD_FORMAT
94 CONSTANT CMD_CLEAR
95 CONSTANT CMD_READ
96 CONSTANT CMD_TEST

(FORTH WORDS TO HANDLE STATE DOWNLOADING)

: INIT-STATES

CR
DSP-WAIT ." DSP READY " CR
CLR-TXH-TXM
CMD_STATES CVR!
SPRE0 DSP16! SPRE1 DSP16! SPRE2 DSP16! SPRE3 DSP16!
SPRE4 DSP16! SPRE5 DSP16! SPRE6 DSP16! SPRE7 DSP16!
SPRE8 DSP16! SPRE9 DSP16!

SREAD0 DSP16! SREAD1 DSP16! SREAD2 DSP16! SREAD3 DSP16!
SREAD4 DSP16! SREAD5 DSP16! SREAD6 DSP16! SREAD7 DSP16!
SREAD8 DSP16! SREAD9 DSP16!

SPOST0 DSP16! SPOST1 DSP16! SPOST2 DSP16! SPOST3 DSP16!
SPOST4 DSP16! SPOST5 DSP16! SPOST6 DSP16! SPOST7 DSP16!
SPOST8 DSP16! SPOST9 DSP16!

PSTATE0 DSP16! PSTATE1 DSP16! PSTATE2 DSP16! PSTATE3 DSP16!
PSTATE4 DSP16! PSTATE5 DSP16! PSTATE6 DSP16! PSTATE7 DSP16!
PSTATE8 DSP16!

TSTATE0 DSP16!
." STATES DOWNLOADED" CR ;

(FORTH WORDS TO HANDLE FORMAT)

VARIABLE SLENGTH
VARIABLE PLENGTH
VARIABLE SBINNUM
VARIABLE PBINNUM
VARIABLE SPRESCAN
VARIABLE SPOSTSCAN

VARIABLE PPRESCAN
VARIABLE PPOSTSCAN
VARIABLE SREADLEN
VARIABLE PREADLEN

(INITIALIZE FORMAT PARAMETERS TO DEFAULTS)

DECIMAL
516 SLENGTH!
516 PLENGTH!
1 SBINNUM!
1 PBINNUM!
20 SPRESCAN!
0 SPOSTSCAN!
0 PPRESCAN!
0 PPOSTSCAN!
516 SREADLEN!
516 PREADLEN!

: INIT-FORMAT

DSP-WAIT
CLR-TXH-TXM
CMD_FORMAT CVR!
SLENGTH @ DSP16!
PLENGTH @ DSP16!
SBINNUM @ DSP16!
PBINNUM @ DSP16!
SPRESCAN @ DSP16!
SPOSTSCAN @ DSP16!
PPRESCAN @ DSP16!
PPOSTSCAN @ DSP16!
SREADLEN @ DSP16!
PREADLEN @ DSP16!
." FORMAT INITIALIZED " CR ;

(WORDS TO DEAL WITH THE COUNTER, USEFUL FOR TIMING THINGS)

(TWAIT WAITS A GIVEN NUMBER OF COUNTER TICKS.)
(EXPECTS THAT NUMBER ON THE STACK)

CODE TWAIT

POPD, TCNT ADDD, BEGIN, TCNT CPD, .CS. UNTIL, NEXT JMP, END-CODE

DECIMAL

: MWAIT (W -) (WAIT W MILLISECONDS)
0 DO 1870 TWAIT LOOP ;

: DWAIT (W -) (WAIT W DECISECONDS)
0 DO 100 MWAIT LOOP ;

: SWAIT (W -) (WAIT W SECONDS)
0 DO 1000 MWAIT LOOP ;

(WORDS TO DEAL WITH KEO'S CUSTOM I/O INTERFACE BOARD)
HEX

(RAM LOCATION TO STORE LAST BYTE SENT TO IO CONTROL REGISTER)
VARIABLE RAMCTL

B400 CONSTANT IOCTL (I/O CONTROL REGISTER LOCATION)

: CTL! (B -) (WRITES A BYTE TO THE IO CONTROL REGISTER)
DUP RAMCTL C! IOCTL C! ;

0 CTL! (INIT IO TO ZERO , IS THIS OK ?)

(WRITING TO BITS 0 1 AND 2 SET THE FILTER WHEEL POSITION)

: FW_SET (DESIRED-POSITION -- ERROR FLAG, 0 = OK, OTHER = ERROR)
07 AND (MASK OFF OTHER BITS)
RAMCTL C@ OR (MASK IN OTHER BITS WE ALREADY SET)
DUP CTL! (STORE IT)
1 SWAIT (WAIT FOR IT TO SWITCH)
RAMCTL C@ = NOT ; (CHECK IT)

HEX

: LATCH! D800 C! ;

: OPEN FF LATCH! ;
: CLOSE 00 LATCH! ;

(WORDS TO SET THE INTENSIFIER GAIN)
HEX

: INT-GAIN-SET (DESIRED-GAIN -- ERROR FLAG, 0 = OK, OTHER = ERROR)
18 AND
RAMCTL C@ OR
DUP CTL!
1 SWAIT
IOCTL C@ = NOT ;

10 CONSTANT LOGAIN
00 CONSTANT MIDGAIN
08 CONSTANT HIGAIN

: LO-GAIN
LOGAIN PORTA C! ;

: MID-GAIN
MIDGAIN PORTA C! ;

: HI-GAIN
HIGAIN PORTA C! ;

: TEST-EN (ENABLE TEST DATA THROUGH INTERFACE BOARD)
PACTL C@ T-7 PACTL C! PORTA C@ T-7 PORTA C! ;

: CAM-EN (ENABLE CAMERA DATA THROUGH INTERFACE BOARD)
PACTL C@ T-7 PACTL C! PORTA C@ F-7 PORTA C! ;

: SHADE (GENERATE A TEST PATTERN)
TEST-EN DSP-WAIT CMD_TEST CVR! DSP-WAIT ;

: READ (READ OUT THE CCD)
CAM-EN DSP-WAIT CMD_READ CVR! DSP-WAIT ;

: CLEAR (CLEAR THE CCD ONCE)
DSP-WAIT CMD_CLEAR CVR! DSP-WAIT ;

: BIAS (READ OUT A BIAS FRAME)
CLOSE CLEAR CLEAR CLEAR READ ;

(WORDS TO PERFORM DARK FRAME ACQUISITION)

: MDARK (W-) (W MILLISECOND DARK)
CLOSE CLEAR MWAIT READ ;

: DDARK (W-) (W DECISECOND DARK)
CLOSE CLEAR DWAIT READ ;

: SDARK (W-) (W SECOND DARK)
CLOSE CLEAR SWAIT READ ;

(WORDS TO PERFORM EXPOSURE FRAME ACQUISITION)

: MOBS (W-) (W MILLISECOND OBSERVATION)
CLOSE CLEAR OPEN MWAIT CLOSE 1 DWAIT READ ;

: DOBS (W-) (W DECISECOND OBSERVATION)
CLOSE CLEAR OPEN DWAIT CLOSE 1 DWAIT READ ;

: SOBS (W-) (W SECOND OBSERVATION)
CLOSE CLEAR OPEN SWAIT CLOSE 1 DWAIT READ ;

(WORDS THAT ARE USEFUL FOR TESTING HARDWARE)

: SHADES BEGIN SHADE ?TERMINAL UNTIL ;

: READS BEGIN READ ?TERMINAL UNTIL ;

: CLEARS BEGIN CLEAR ?TERMINAL UNTIL ;

. INIT DSP-BOOT SR DSP-DUMP INIT-STATES INIT-FORMAT MID-GAIN ;

(STORE THE AUTOSTART SEQUENCE AND THE CFA OF THE AUTOSTART WORD IN
EXTERNAL EPROM)

EPROM CONSTANT ASTART

: ASTART!

EEUNPROT (UNPROTECT THE EEPROM)
A44A DUP ASTART EE-! (STORE THE AUTOSTART PATTERN)
[' RESTORE] LITERAL CFA (GET THE CFA OF OUR AUTOSTART WORD)
DICT-START - (DICT OFFSET OF AUTOSTART WORD)
EEDICT-START + (LOCATION OF AUTOSTART WORD IN EEPROM)
DUP ASTART 2+ EE-! (STORE THAT AFTER THE AUTOSTART PATTERN)
EEPROT (PROTECT THE EEPROM)
CR ." AUTOSTART SEQUENCE STORED " CR ;

(END OF KEO CAMERA CODE)

(Please LOAD the KEO Consultants Code: MIP*.FOI now...)

8.8 FORTH Directory Contents

C:\MIP\FORTH

8.8.1 Advanced Technologies FORTH Code

The following are the FORTH files provided by Advanced Technologies for their controller board. These files are listed above in Sections 8.2 through 8.7.

keoadc7	1901	9/30/91	1:55:40pm
keoadc8	1901	4/13/92	2:29:48pm
keoasm7	5916	9/30/91	10:52:58am
keoasm8	5902	8/24/92	11:06:12am
keocmd7	6047	8/24/92	12:23:02pm
keodsp7	7210	9/30/91	10:54:04am
keorom7	6626	9/30/91	10:54:38am
keotim7	6954	9/30/91	10:55:22am

8.8.2 Advanced Technologies DSP Code

The following are the DSP56001 files provided by Advanced Technologies. These files are all the files associated with the development of the downloaded DSP code and are provided for reference only. The DSP Assembler and Simulator programs are MacIntosh based. All development for the DSP code was done on Macs.

intequ.asm	1112	9/30/91	10:56:54am
ioequ.asm	8978	9/30/91	10:57:16am
keo7.asm	16106	9/30/91	10:58:04am
keo8.asm	16391	10/2/91	4:11:18pm
keo7.dsp	2999	9/30/91	10:56:30am
keo8.dsp	3164	10/2/91	4:12:28pm
keo7.lod	3046	9/30/91	10:58:46am
keo8.lod	3206	10/2/91	4:11:46pm
keo7.lst	32540	5/22/91	9:51:50am
keo8.lst	34831	10/2/91	4:11:46pm

INTEQU.ASM: DSP Interrupt Equates (provided by Motorola)
IOEQU.ASM: DSP I/O Equates (provided by Motorola)
KEO*.ASM DSP Assembler code (developed by Adv. Tech)
KEO*.LOD DSP Binary code -- outputted from DSP Assembler
KEO*.LST DSP code Listing -- outputted from DSP Assembler
KEO*.DSP DSP Binary code -- reformatted to be downloaded to controller
/ This is the file that is used with the DNLD command */*

8.8.3 KEO Consultants FORTH Code

The following lists the main controller FORTH code written by KEO Consultants for use with the MIP and HAARP imagers. Versions are chronological and all versions are provided for reference. The latest version number should always be the version downloaded on the the controller's EEPROM. The code listing for MIP10.FOR is provided in Section 8.1

□ mip01.for	3306	5/22/91	6:04:20pm
□ mip02.for	6471	5/28/91	5:19:22pm
□ mip03.for	8810	7/1/91	12:48:42pm
□ mip04.for	10842	10/13/91	12:42:20pm
□ mip05.for	11781	12/20/91	5:14:20pm
□ mip06.for	12089	7/1/92	11:46:54am
□ mip07.for	12424	9/15/92	12:23:08pm
□ mip08.for	14687	10/13/92	10:30:04am
□ mip09.for	15573	10/19/92	3:26:28pm
□ mip10.for	16054	7/23/93	11:47:54am

8.8.4 KEO Consultants FORTH Utilities

The following utilities were written by KEO Consultants to assist in the development and testing of the camera electronics and control system:

TESTFW.FOR
TESTSH.FOR
TESTADC4.FOR

These utilities can be downloaded to the controller by sending them as a text file using *Microsoft's* TERMINAL program provided with Windows 3.1. When opening TERMINAL, open the HAARP.TRM configuration file. To get to the FORTH environment (terminating the MIP command LOOP), type a '0<cr>'. The FORTH identifier should appear. Hit <cr> a few times to confirm communication. The FORTH system should return an 'OK' for each <cr> entered.

TESTFW.FOR: Contains utilities to test the performance of the filterwheel. There are quite a few dictionary words defined in this file but most are words that are used in the two main functions:

<ddd> TEST_FILPOS <ddd> = repetition time in deciseconds on stack

<ppp> TIME_FW <ppp> = target position (1-5) on stack

TEST_FILPOS sets up a loop to automatically test all filter move possibilities. Each move returns a status line that gives the MOVE type, the TARGET position, the number of

20msec intervals it took to make the move or the ERRor return code, the PREsent position, and the cycle number. This program is terminated by hitting any key. It will take up to 5 moves to terminate, however. Upon termination, TEST_FILPOS will report all the error tallies for this session. An example of running this program would be:

```
50 TEST_FILPOS
MV 1+ TARG: 3 #: 28 PRES: 3 NUM: 1
MV 2- TARG: 1 #: 37 PRES: 1 NUM: 2
MV 1- TARG: 5 #: 21 PRES: 5 NUM: 3
MV 2+ TARG: 2 #: 36 PRES: 2 NUM: 4
MV 1- TARG: 1 #: 26 PRES: 1 NUM: 5
MV 1+ TARG: 2 TO TE PRES: 4 NUM: 6
MV 2- TARG: 2 TO TE PRES: 4 NUM: 7
MV 1- TARG: 3 #: 25 PRES: 3 NUM: 8
MV 2+ TARG: 5 #: 38 PRES: 5 NUM: 9
MV 1- TARG: 4 #: 27 PRES: 4 NUM: 10
```

```
NUMBER OF MOVES: 10
NUMBER OF TIMEOUTS: 2
NUMBER OF POS. ERRS: 0
NUMBER OF TARGET ERRORS. 2
OK
```

The above example ran the TEST_FILPOS utilities using a 5 second cycle time, and 10 moves were executed in which there were two TO (timeout) and two TE (target) errors. These were forced by setting the filterwheel control panel to manual and forcing a move to filter #4. The program waited 1 second for the filter to move from #1 to #2 (during which it moved to #4), and reported a time out error, and also a target error, because the Present filter #4 is not equal to the Target filter #2. A Position error occurs when the position read from the camera controller is not a legal position. Normally, during execution of TEST_FILPOS, there should be no errors of any kind.

TIME_FW lets the user execute a single move and check the number of loop cycles it took to reach the target filter position. The RET: code is given to check the execution of the filter move. In the example below, we can see that we moved from some unknown position to filter #4, from #4 to #2, from #2 to #3, and from #3 to #5.

```
4 TIME_FW INDEX: 27 RET: 4 OK
2 TIME_FW INDEX: 35 RET: 2 OK
3 TIME_FW INDEX: 26 RET: 3 OK
5 TIME_FW INDEX: 36 RET: 5 OK
```

The time it took for a move is INDEX x .02 seconds. Thus:

```
Mv: -2      .70 seconds
Mv: +1      .52 seconds
Mv: +2      .72 seconds
```

The file TESTSH.FOR has utilities to test the operation of the camera's shutters. In the file are the following utilities:

<decisecond> TEST_SH Opens and closes each shutter sequentially
<decisecond> TEST_BT Opens and closes both shutters simultaneously
<decisecond> TS1 Opens and closes Shutter1 (front)
<decisecond> TS2 Opens and closes Shutter2 (back)
<decisecond> LGSH Opens and closes shutters sequentially and logs results

All of these utilities are called with the cycle time in deciseconds on the stack. The first two utilities test both shutters terminating if an error occurs. Testing the shutters both simultaneously and sequentially test the robustness of the shutter power-supply and the shutters' reliability under both conditions. TS1 and TS2 are used to test an individual shutter for possible problems and terminate if an error occurs. LGSH is used to test both shutters for long-term reliability, reporting the results of a long test upon termination of the test (by hitting any key). A few examples follow:

```
30 TEST_BT
ERROR OPENING SH2:
PROGRAM TERMINATED AFTER 3 ITERATIONS OK
```

```
30 TS1
ERROR OPENING SH1:
PROGRAM TERMINATED AFTER 5 ITERATIONS OK
```

```
30 LGSH
ITER 1 ERR1: 0 ERR2: 0
ITER 2 ERR1: 0 ERR2: 0
ITER 3 ERR1: 0 ERR2: 0
ITER 4 ERR1: 0 ERR2: 0
ITER 5 ERR1: 0 ERR2: 0
ITER 6 ERR1: 0 ERR2: 0
ITER 7 ERR1: 0 ERR2: 1
ITER 8 ERR1: 0 ERR2: 1
ITER 9 ERR1: 1 ERR2: 1
ITER 10 ERR1: 2 ERR2: 1
ITER 11 ERR1: 2 ERR2: 1
ITER 12 ERR1: 2 ERR2: 1
ITER 13 ERR1: 2 ERR2: 1
ITER 14 ERR1: 2 ERR2: 1
```

```
PROGRAM TERMINATED AFTER 14 ITERATIONS
SH1 ERRORS: 2 SH2 ERRORS: 1 OK
```

In the above examples, errors were forced by setting the shutters OPEN or CLOSED manually via the camera's control panel.

The file TESTADC4.FOR contains utilities for testing the camera's Analog to Digital Converter interface. The 68HC11 has an 8 channel multiplexed ADC port that is used by

the camera to read 4 temperatures and a photodiode output. The following utilities facilitate testing and calibrating these circuits:

<ADC Channel> RD_CH Reads a channel four times and takes an average

```
1 RD_CH
1: 192 2: 192 3: 192 4: 192 TOTAL: 768 AVERAGE 192
```

<ADC Channel> TST_RD Executes RD_CH once a second

```
1 TST_RD
1: 191 2: 191 3: 192 4: 191 TOTAL: 765 AVERAGE 191
1: 191 2: 191 3: 192 4: 191 TOTAL: 765 AVERAGE 191
1: 192 2: 192 3: 191 4: 192 TOTAL: 767 AVERAGE 191
CH:1 OK
```

<10 μ sec interval> RD-AV Reads Photodiode channel and gives an average. The average defined here is to read the channel four times, take an average, wait <int> \times 10 μ sec, take another four readings, average, and do this four times.

```
100 RD-AV
AVERAGE: 25
```

<10 μ sec interval> TST-AV Reads Photodiode every second giving the average

```
100 TST-AV
AVERAGE: 26
AVERAGE: 26
CH: 100 OK
```

<10 μ sec interval> AUTO-AV Reads Photodiode every second using the μ sec interval to read it four times. The average is computed. If a key is hit, the μ sec interval is incremented and the averaging continues. To terminate the program, a key must be hit twice

```
25 AUTO-AV
INTERVAL: 25
AVERAGE: 25
AVERAGE: 25
AVERAGE: 25

INTERVAL: 26
AVERAGE: 26
AVERAGE: 25
AVERAGE: 25

INTERVAL: 27
AVERAGE: 26
AVERAGE: 25
```

AVERAGE: 24
INTERVAL: 28
AVERAGE: 24
AVERAGE: 26
AVERAGE: 25
AVERAGE: 26
OK

The AUTO-AV utility is used to check for and optimize the averaging period for reading the photodiode voltage. A reminder for the ADC channels:

CH0:	CCD Temperature
CH1:	TEC Temperature
CH2:	Intensifier Temperature
CH3:	Filter Wheel Temperature
CH4:	Photodiode Temperature

8.8.5 Compress Utility and LINKLST.FOR

COMPRESS.EXE is a DOS application that can be run on any FORTH text file. This code was developed by Advanced Technologies and strips the text file of any unnecessary characters thereby speeding up the downloading time. A 'compressed' version of the file is created:

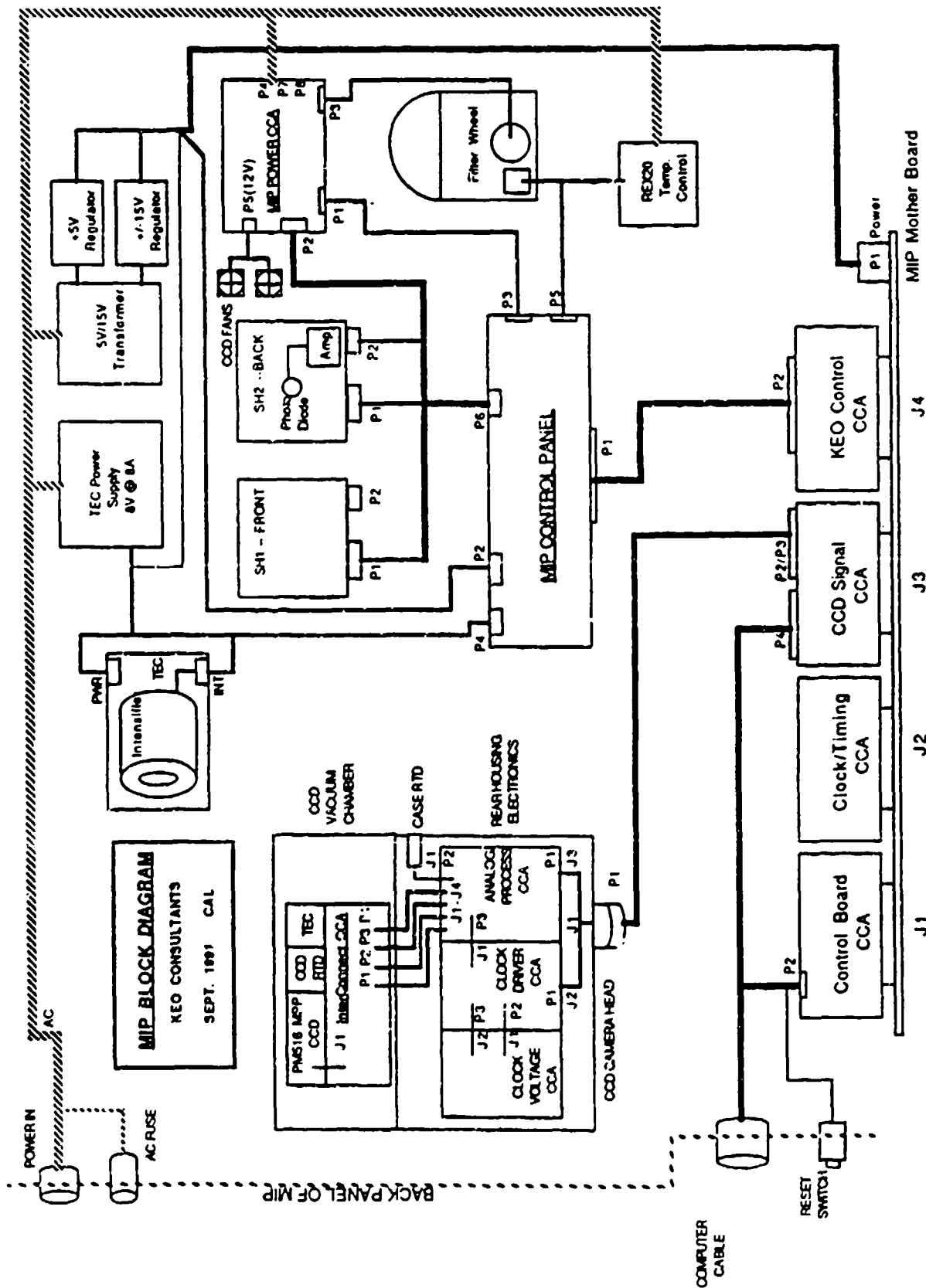
```
MIP10.FOR ----> MIP10.CMP
```

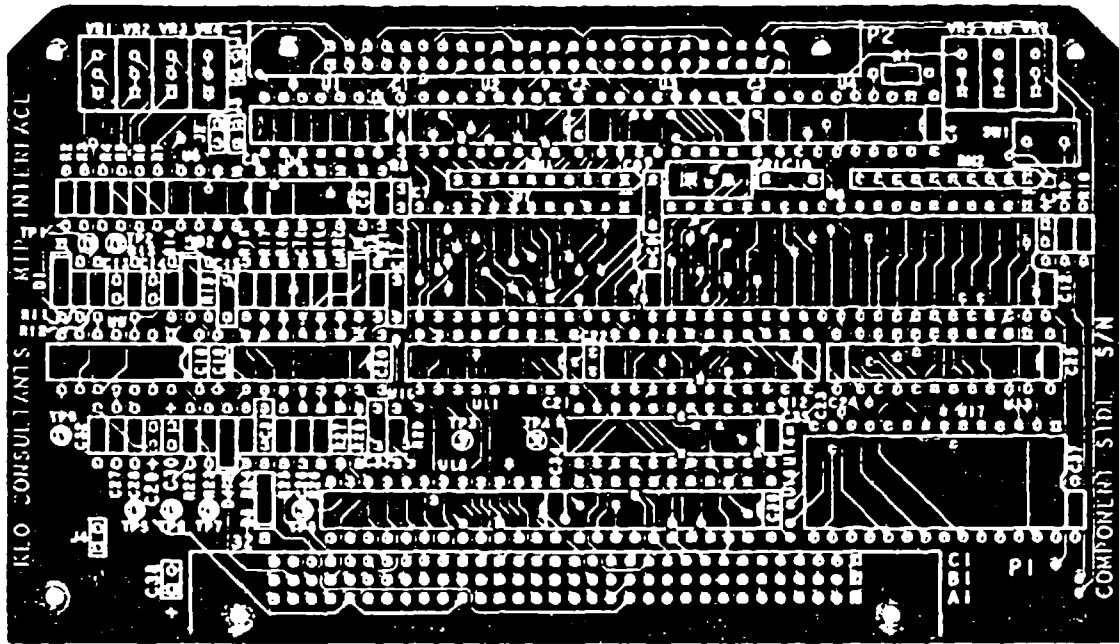
Downloading MIP10.CMP will create exactly the same code as MIP10.FOR.

LINKLST.FOR was a FORTH development idea to create separate links in the FORTH dictionary that made it impossible for the user to use any FORTH words, except those defined after the Link was broken. The link could later be restored. This utility was developed with the thought of having two different 'environments' available to the user depending on their FORTH skill level. It was later decided not to use this approach, but the code has been left on the HAARP machine for the interested *FORTHIE!*

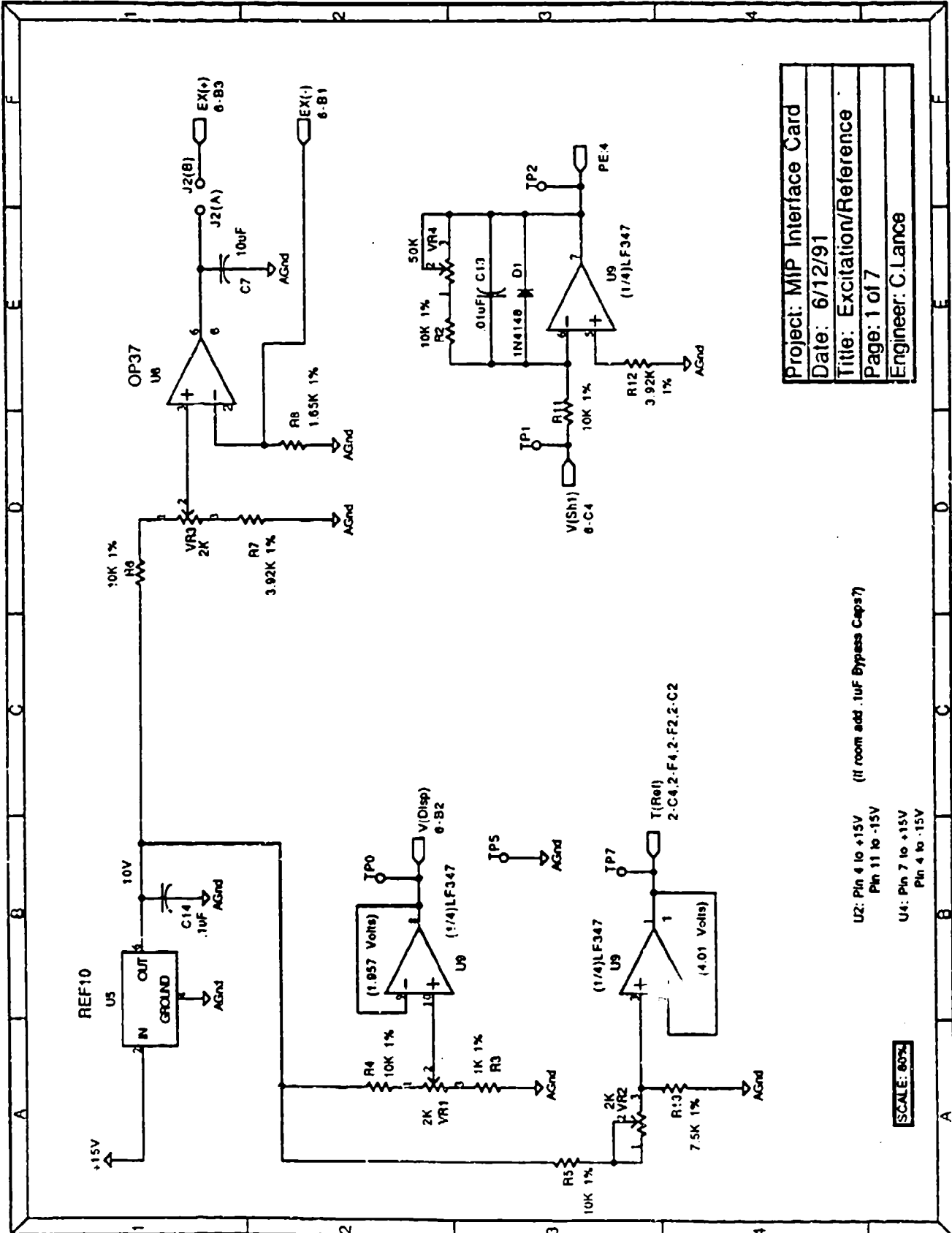
Chapter 9 KEO Hardware Schematics

9.1	Imager Hardware Block Diagram	242
9.2	Interface Board Layout	243
9.3	Interface Board Schematic	244
9.4	Interface GAL Timing Schematic	251
9.5	Interface GAL Program	252
9.6	CY545 EEPROM Rev. 3:2	254
9.7	Filter Wheel EPROM: 26C16	255
9.8	Control Panel Layout	256
9.9	Control Panel Schematic	257
9.10	Power I/O Board Rev.A Layout	262
9.11	Power I/O Board Rev.A Schematic	263
9.12	Photodiode Amplifier Schematic	265
9.13	5-Position Filter Wheel Schematic	266





KEO Consultants -- Interface Board Layout

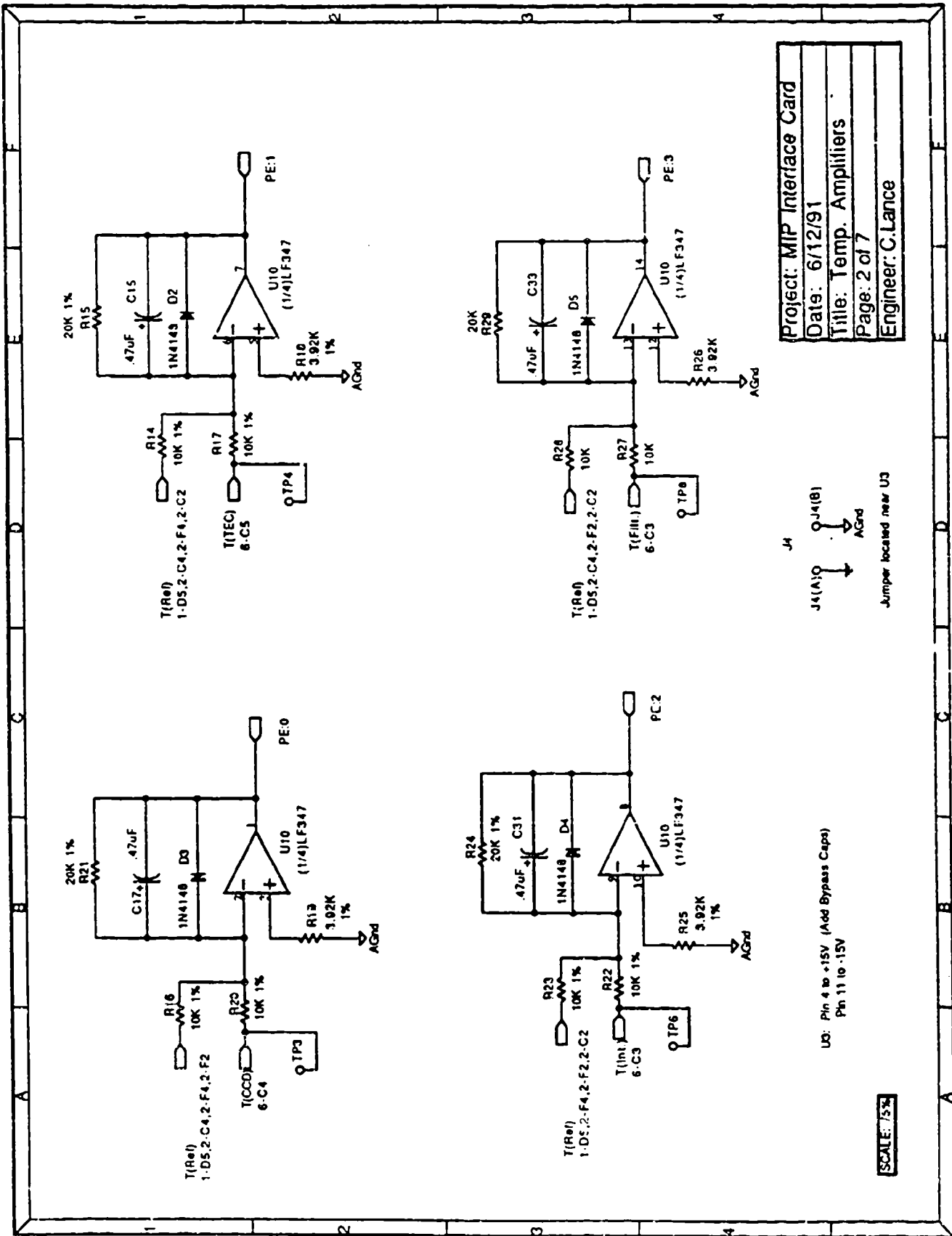


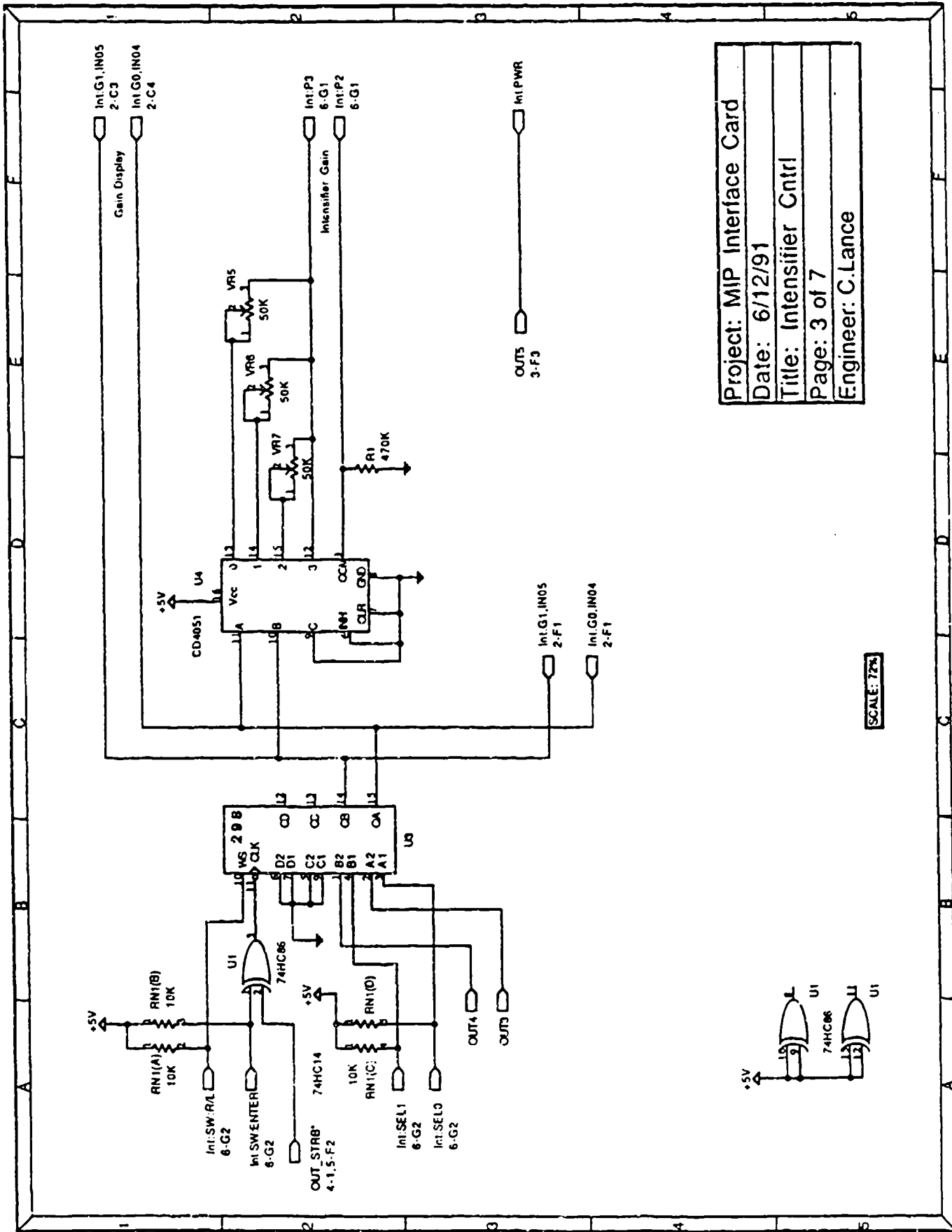
Project: MIP Interface Card
 Date: 6/12/91
 Title: Excitation/Reference
 Page: 1 of 7
 Engineer: C.Lance

U2: Pin 4 to +15V (If room add .1uF Bypass Caps?)
 Pin 11 to -15V

U4: Pin 7 to +15V
 Pin 4 to -15V

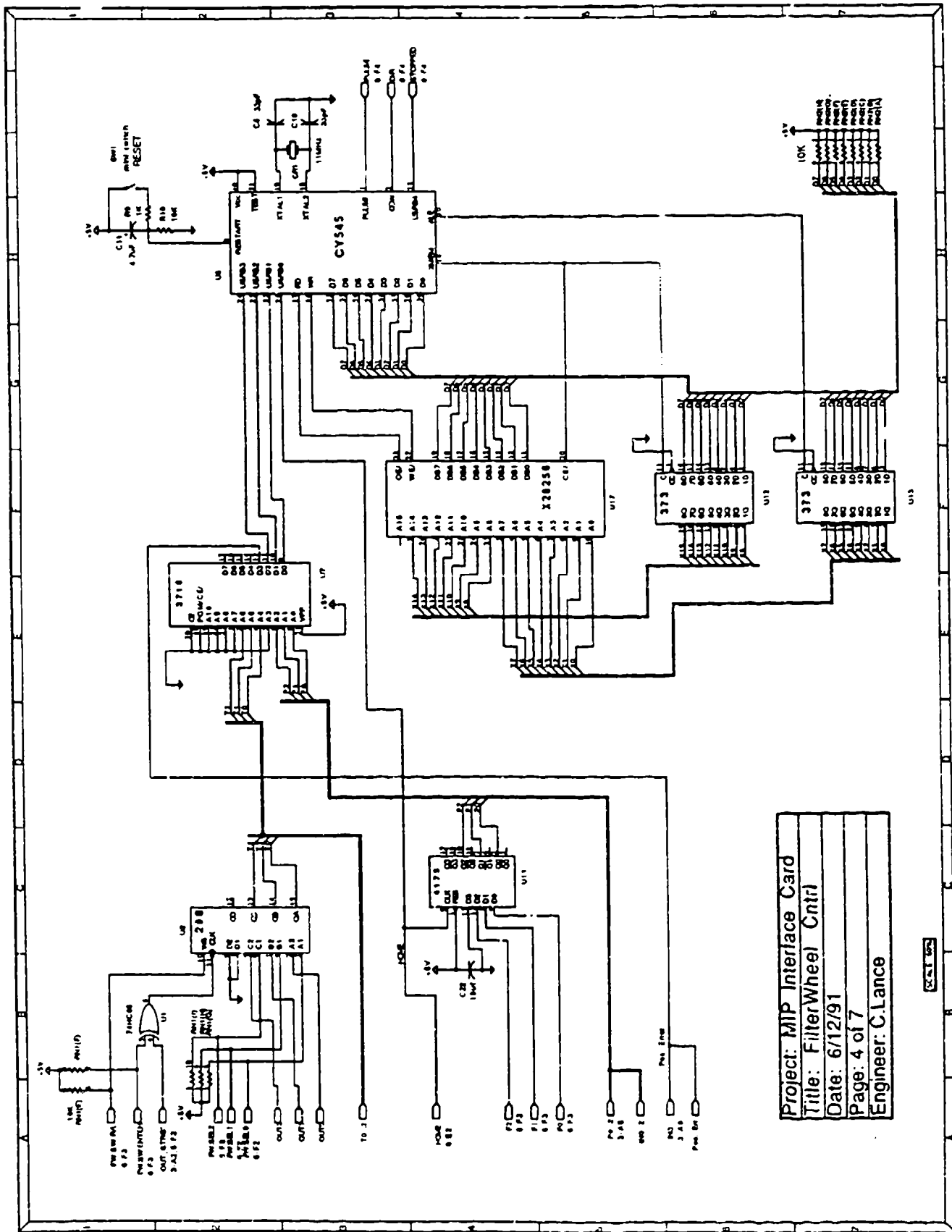
SCALE: 80%





Project: MIP Interface Card
 Date: 6/12/91
 Title: Intensifier Cntrl
 Page: 3 of 7
 Engineer: C.Lance

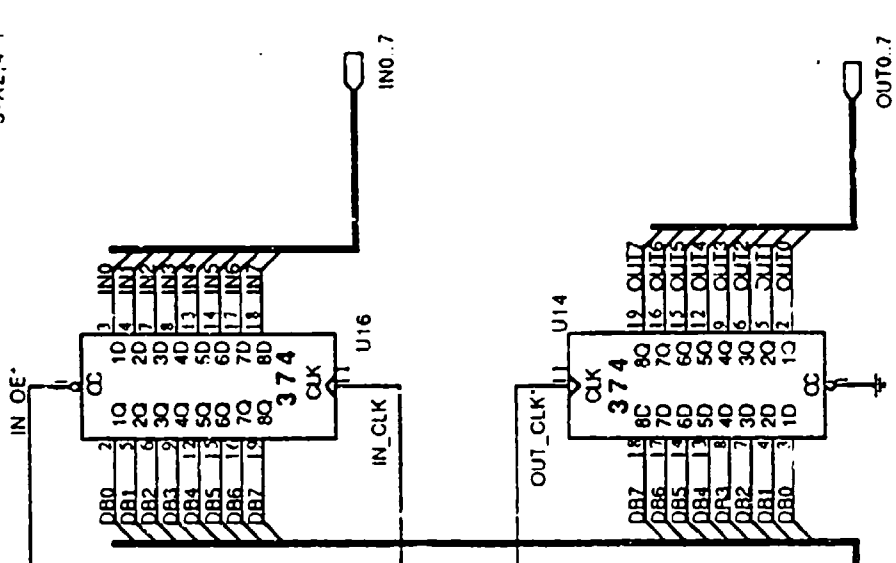
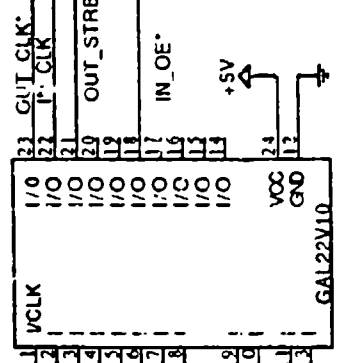
SCALE: 72%



Project: MIP Interface Card
 Title: FilterWheel Cntrl
 Date: 6/12/91
 Page: 4 of 7
 Engineer: C.Lance

SCALE

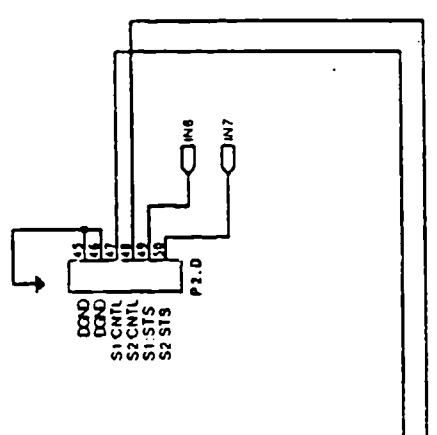
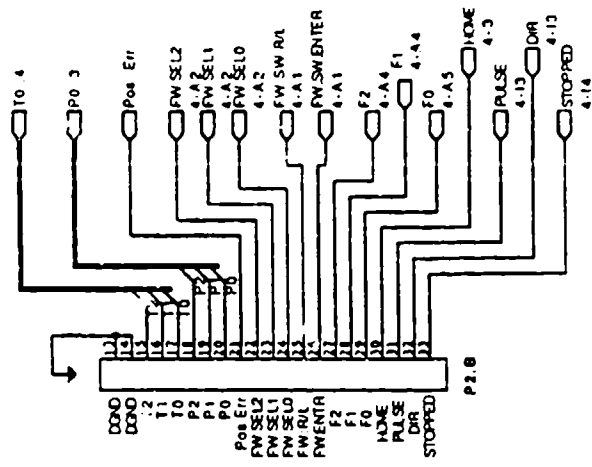
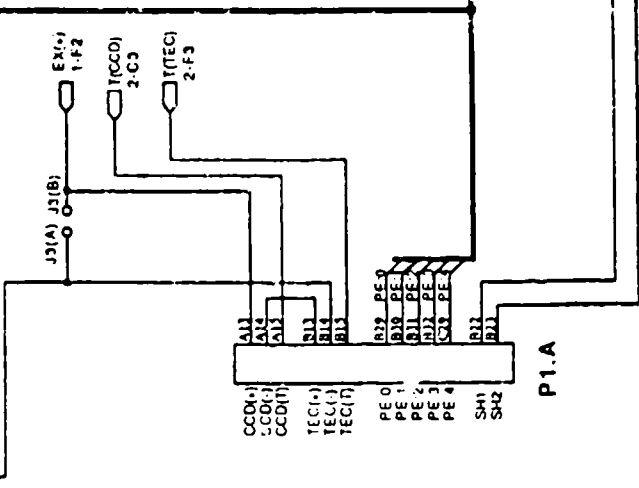
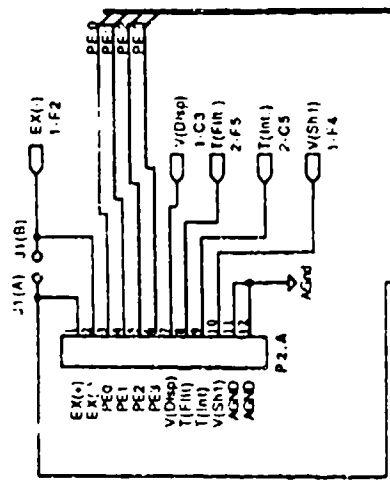
Project: MIP Interface Card
Title: GAL I/O Interf.
Date: 6/12/91
Page: 5 of 7
Engineer: C.Lance



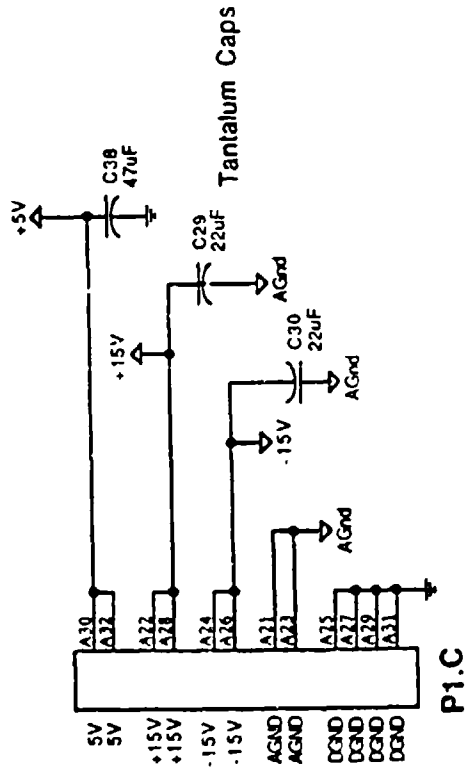
SCALE: 90%

Project: MIP Interface Card
 Title: Connector Layout
 Date: 6/12/91
 Page: 6 of 7
 Engineer: C.Lance

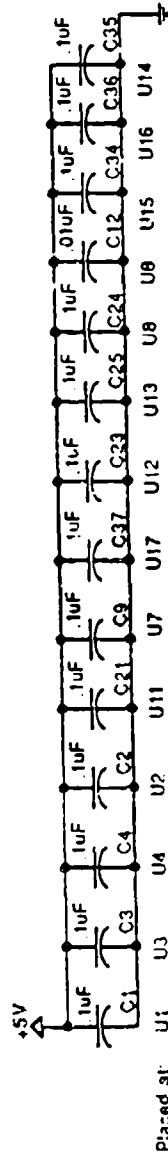
SCALE 65%



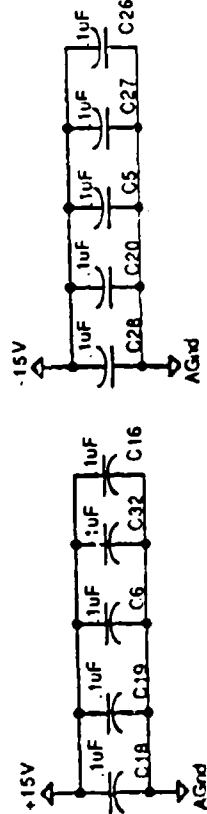
Project: MIP Interface Card
Title: Power
Date: 6/12/91
Page: 7 of 7
Engineer: C.Lance



Tantalum Caps

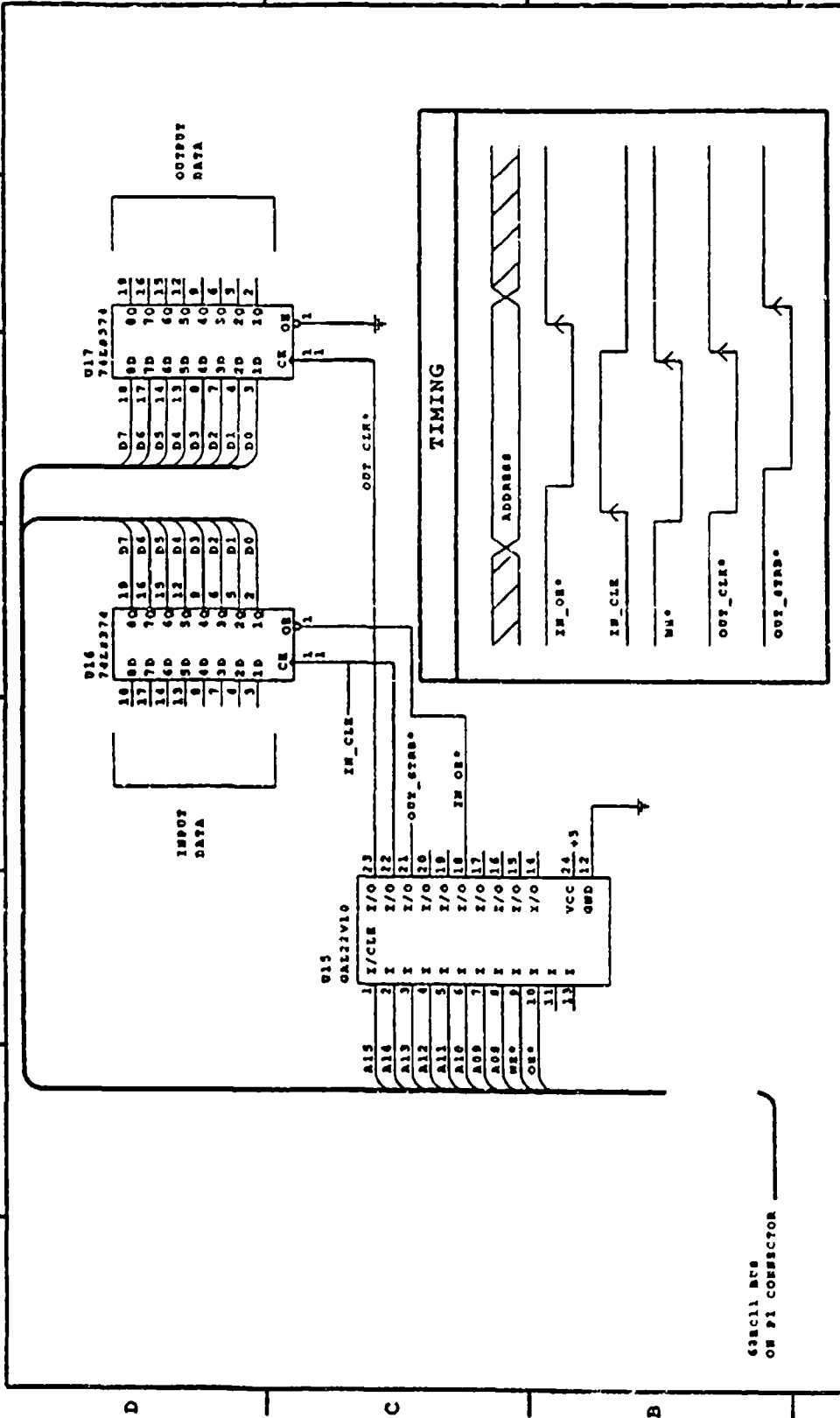


Monolithic Ceramic Caps



Scale: 85%

8 | 7 | 6 | 5 | 4 | 3 | 2 | 1



ADVANCED TECHNOLOGIES A DIVISION OF SPONTONVILLE, LTD. POCHEE, VA		KEO I/O CIRCUITRY PLD CODE IN FILE KEO_IC.PLD	
NEXT ASST. USED ON	APPLICATION	DRAWN	CHECKED
PFC	PFC	DATE	DATE
SHEET 1 OF 1		DRAWING #	
C		CONTRACT/NO. #74010	
R1147		R1147	
REVISION HISTORY			
0	INITIAL REV	APPROVED	DATE
LTR	DESCRIPTION	APPROVED	DATE
NOTES			

DEVICE KEO_IO (pal22v10)

PIN

```
a15 = 1 (CLK INPUT combinatorial)
a14 = 2 (INPUT combinatorial)
a13 = 3 (INPUT combinatorial)
a12 = 4 (INPUT combinatorial)
a11 = 5 (INPUT combinatorial)
a10 = 6 (INPUT combinatorial)
a09 = 7 (INPUT combinatorial)
a08 = 8 (INPUT combinatorial)
/we = 9 (INPUT combinatorial )
/oe = 10 (INPUT combinatorial )
/temp_oe = 17 (IO combinatorial active_low)
/in_oe = 18 (IO combinatorial active_low)
/tmp1_strobe = 19 (IO combinatorial active_low)
/tmp2_strobe = 20 (IO combinatorial active_low)
/out_strobe = 21 (IO combinatorial active_low)
in_clk = 22 (IO combinatorial active_high)
out_clk = 23 (IO combinatorial active_low)
```

;

BEGIN

"Enable all final outputs"

```
ENABLE (in_oe);
ENABLE (in_clk);
ENABLE (out_clk);
ENABLE (out_strobe);
```

" This PAL is used to generate clock signals for a pair of "
" I/O latches on the KEO interface card and is designed as "
" per KEO's spec. "
" The address of the latches is \$B4xx "

" in_clk is a rising edge that latches data into the input latch "
in_clk = a15 * /a14 * a13 * a12 * /a11 * a10 * /a09 * /a08 * oe ;

" temp_oe is the an internal output enable signal for the input latch "
temp_oe = in_clk ;

" in_oe is a delayed version of temp_oe just to be safe "
in_oe = temp_oe ;

" out_clk is a rising edge that latches data into the output latch "
out_clk = a15 * /a14 * a13 * a12 * /a11 * a10 * /a09 * /a08 * we ;

" KEO also needs a strobe occurring after the output latch has "
" been written to and the data has stabilized. To get this, without "
" using a digital delay line, we will rely on the propagation delay "
" through the PAL 3 times, which should be about 15 ns each time. "
" This will give a delay of approx. 45 ns "

" tmp1_strobe is a delayed version of out_clk "
tmp1_strobe = out_clk ;

" tmp2_strobe is a delayed version of tmp1_strobe "
tmp2_strobe = tmp1_strobe ;

" out_strobe is a delayed version of tmp2_strobe "
" It will occur approx 45 ns after out_clk "
" This is the signal to use as output strobe "
out_strobe = tmp2_strobe ;

Device Map from File [keo_io] for PLD [pal22v10]*

F0*

L0044	1111	1111	1111	1111	1111	1111	1111	1111	1111	1111	1111	1111	*
L0088	0111	1011	0111	0111	1011	0111	1011	1011	1011	1111	1111	1111	*
L0440	1111	1111	1111	1111	1111	1111	1111	1111	1111	1111	1111	1111	*
L0484	0111	1011	0111	0111	1011	0111	1011	1011	1111	1011	1111	1111	*
L0924	1111	1111	1111	1111	1111	1111	1111	1111	1111	1111	1111	1111	*
L0968	1111	1111	1111	1110	1111	1111	1111	1111	1111	1111	1111	1111	*
L1540	1111	1111	1111	1111	1110	1111	1111	1111	1111	1111	1111	1111	*
L2200	1110	1111	1111	1111	1111	1111	1111	1111	1111	1111	1111	1111	*
L2904	1111	1111	1111	1111	1111	1111	1111	1111	1111	1111	1111	1111	*
L2948	1111	1111	1111	1111	1111	1111	1110	1111	1111	1111	1111	1111	*
L3696	1111	1101	1111	1111	1111	1111	1111	1111	1111	1111	1111	1111	*
L5808	0111	0101	0101	01	*								

C3A13*

9308

CY545 EEPROM Program Rev 3:2
(Half-Stepping Mode)

Address	Command	Comment
0	^RV	AutoStart Code
3	O 42H<cr>	Operating Mode (1200 Baud)
9	"<cr><lf>KEO PROGRAM 08-19-93<cr><lf>	
34	REV 3:2 C LANCE<cr><lf>"	
52	/B 4<cr>	Turn USRB4 Off (Enable Motor)
57	F 360<cr>	First=360 (fast rate for Home)
63	R 230<cr>	Rate=230 (Peak Velocity)
69	S 245<cr>	Slope=248 (Acceleration)
1\$: 75	H 0<cr>	Home: Look at USRB0
79	F 19<cr>	First=22 (Slow rate for moves)
84	B 4<cr>	Turn USRB4 On (Disable Motor)
88	"W<cr><lf>"	Wait Identifier
2\$: 93	T 01H,093<cr>	Loop and test for USRB1 (Move)
103	T 2,170<cr>	Test USRB2: If set, jmp to 4\$: '+'
111	"-<cr><lf>"	'-' Identifier
116	-<cr>	Set to CCW direction
118	T 3,149<cr>	Test USRB3: If set, jmp to 3\$: 1 Filter
126	"N 1600<cr><lf>"	'1600 Steps' Identifier
136	N 1610<cr>	NumSteps = 1610: Move past Home
143	J 223<cr>	Jmp to 6\$: GO command
3\$: 149	"N 800<cr><lf>"	'800 Steps' Identifier
158	N 810<cr>	NumSteps = 810: Move past Home
164	J 223<cr>	Jmp to 6\$: GO command
4\$: 170	'+<cr><lf>"	'+' Identifier
175	-<cr>	Set to CW direction
177	T 3,208<cr>	Test USRB3: If set, jmp to 5\$: 1 Filter
185	"N 1600<cr><lf>"	'1600 Steps' Identifier
195	N 1590<cr>	NumSteps = 1590: Move almost to Home
202	J 223<cr>	Jmp to 6\$: GO command
5\$: 208	"N 800<cr><lf>"	'800 Steps' Identifier
217	N 790<cr>	NumSteps = 790: Move almost to Home
6\$: 223	/B 4<cr>	Turn USRB4 Off (Enable Motor)
228	G<cr>	GO command: Make move!
230	F 360<cr>	First = 360: Fast Rate for Home
236	J 75<cr>	Jump to 1\$: Home command

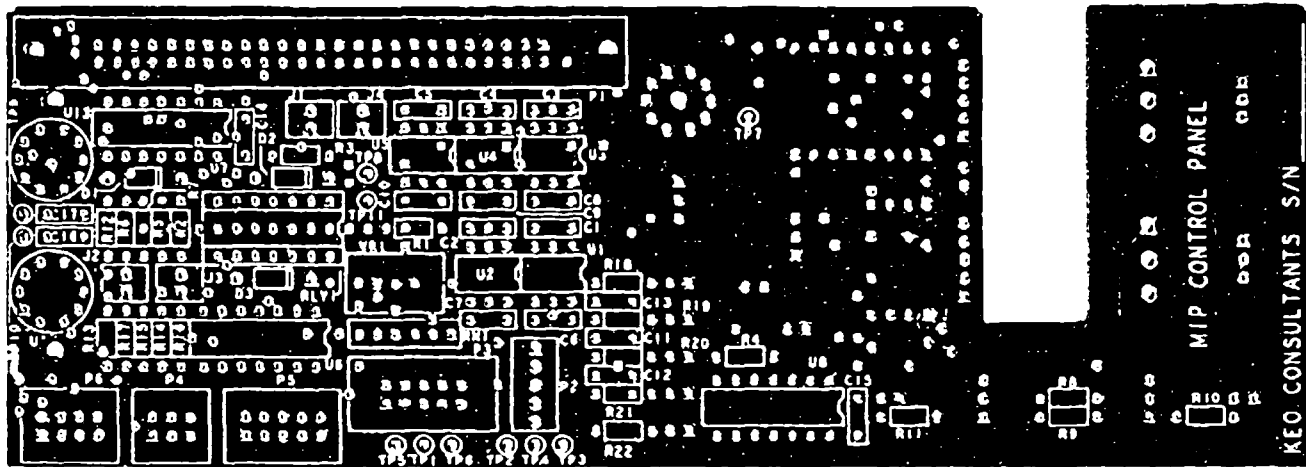
EPROM Program 27C16:

<u>Location:</u>	<u>Output:</u>
11H	0H
12H	3H
13H	7H
14H	5H
15H	1H
21H	1H
22H	0H
23H	3H
24H	7H
25H	5H
31H	5H
32H	1H
33H	0H
34H	3H
35H	7H
41H	7H
42H	5H
43H	1H
44H	0H
45H	3H
51H	3H
52H	7H
53H	5H
54H	1H
55H	0H

Bit:	0	1
B0:	No Move	Move
B1:	+	-
B2:	200	400

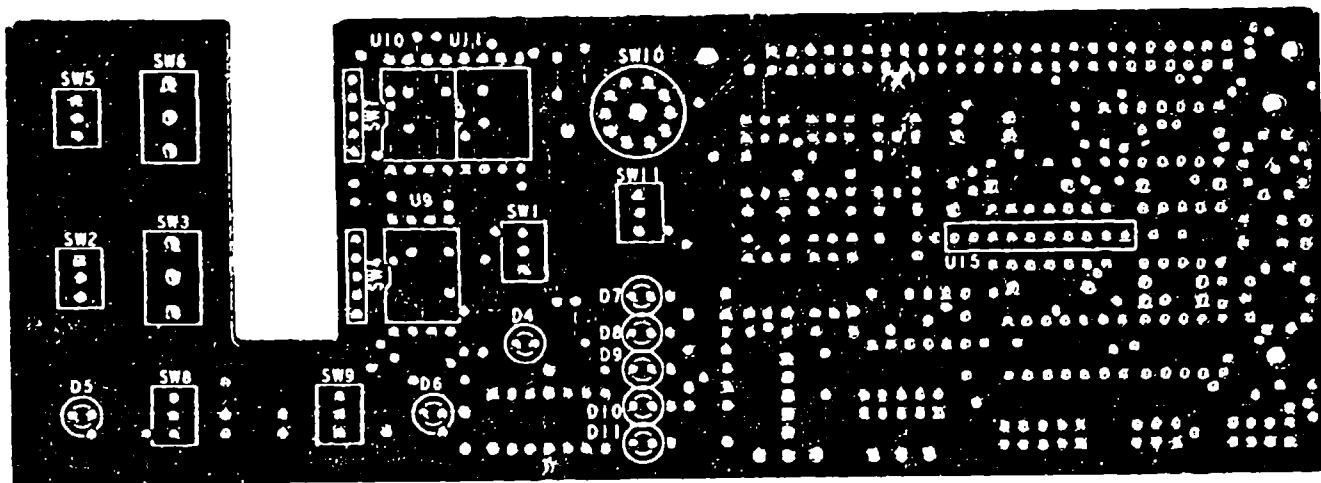
<u>Output:</u>	<u>Commands:</u>
0H	No Move
1H	Move 200 steps +
3H	Move 200 steps -
5H	Move 400 steps +
7H	Move 400 steps -

All other locations in 27C16 set to 8H



Connector Side

Front



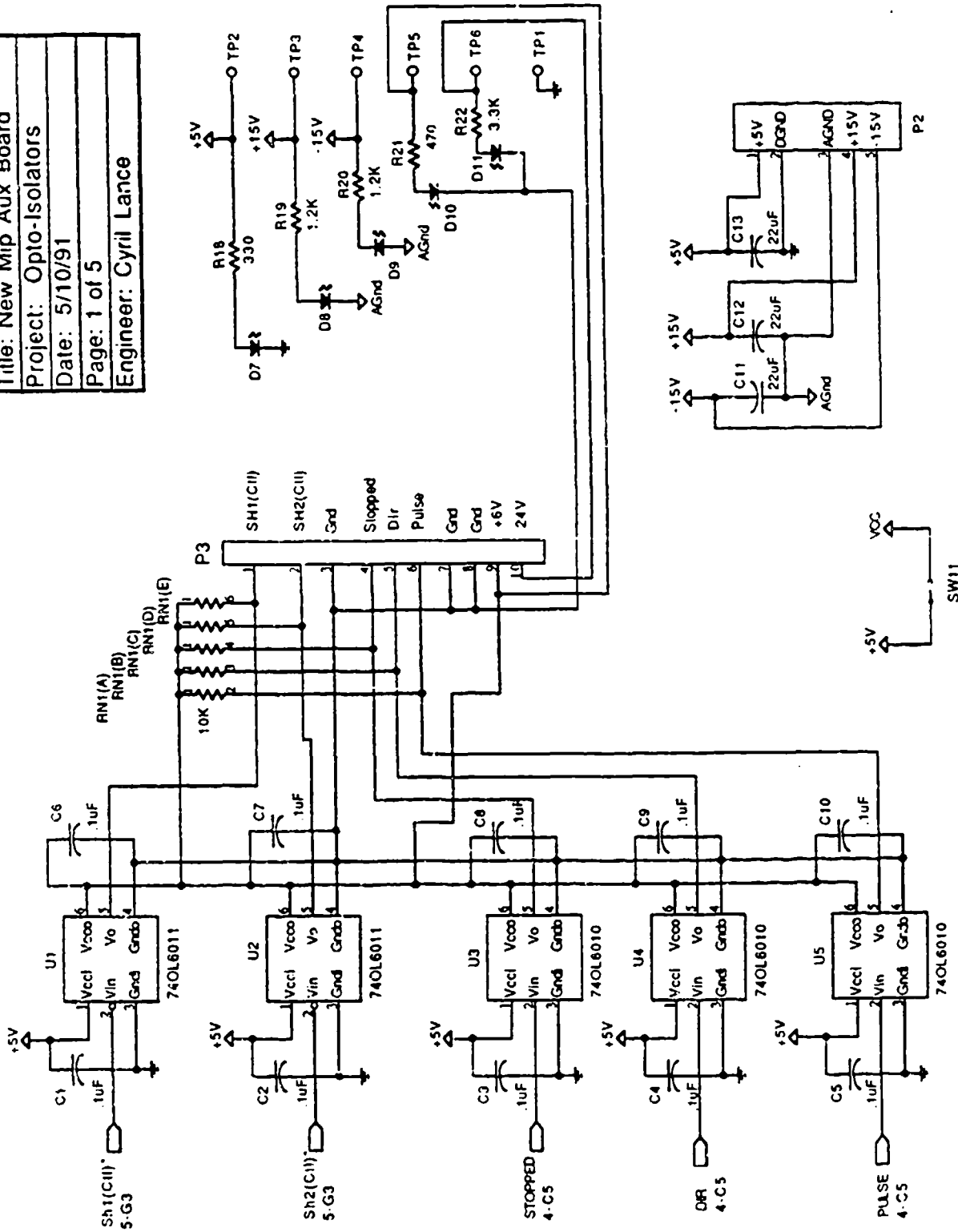
Control Panel Side

Back

MIP Control Panel Layout

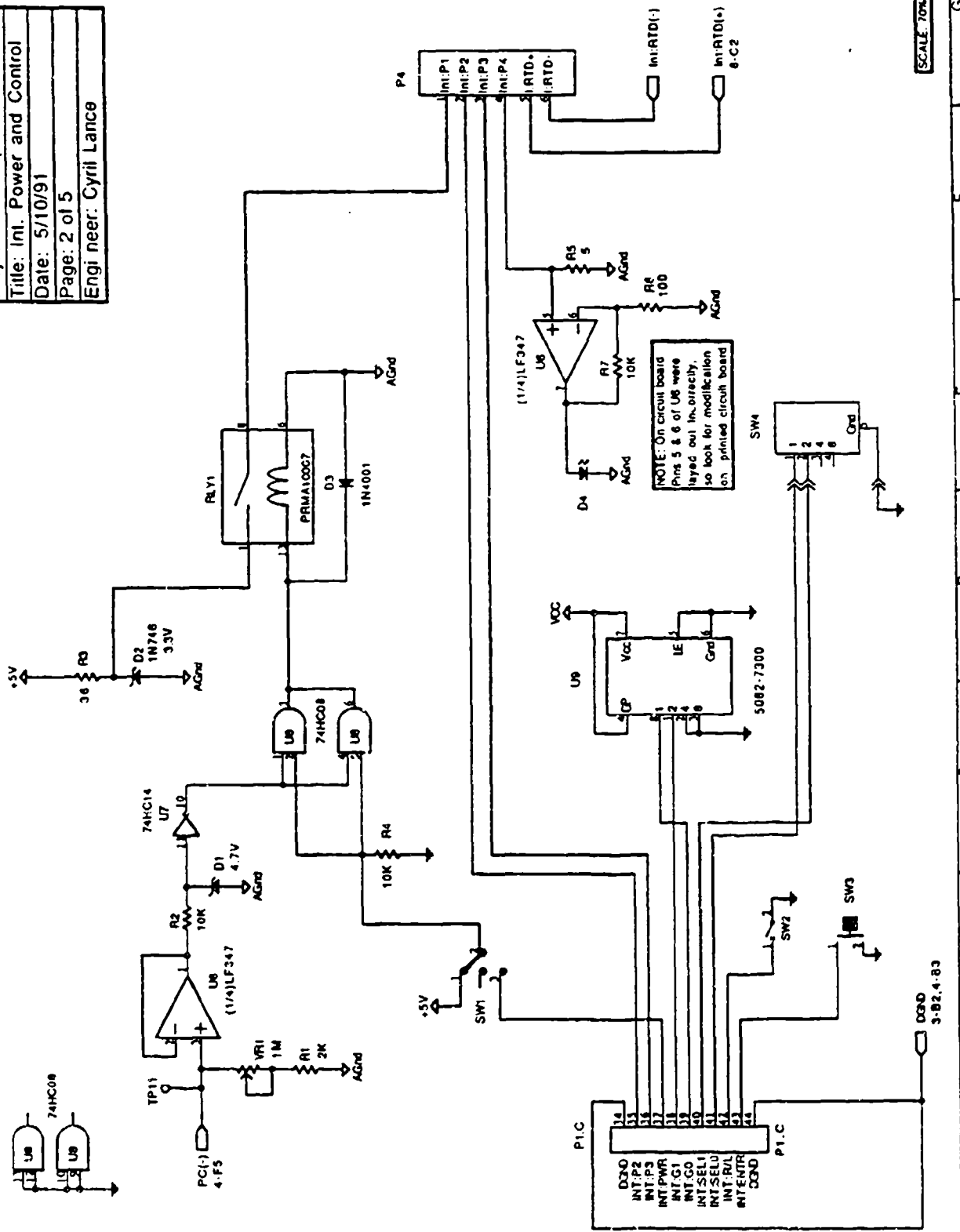
tes: U13 and U14 are mounted on the back of the board due to layout error.
 Pins 5 and 6 of U6 need to be reversed due to schematic error.

Title: New Mip Aux Board
 Project: Opto-Isolators
 Date: 5/10/91
 Page: 1 of 5
 Engineer: Cyril Lance



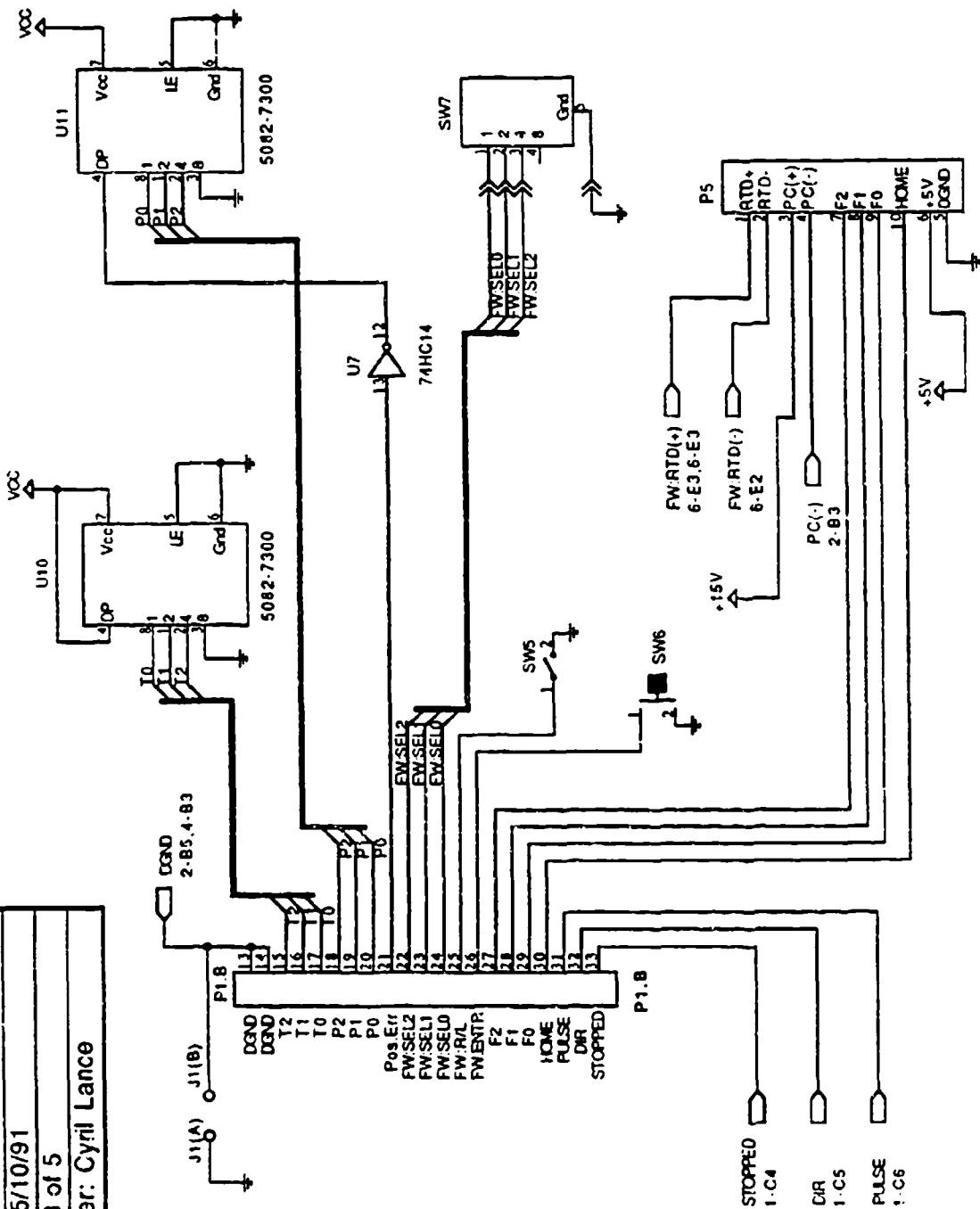
SCALE 60%

Project: New Mip Aux Board
 Title: Int. Power and Control
 Date: 5/10/91
 Page: 2 of 5
 Engi neer: Cyril Lance

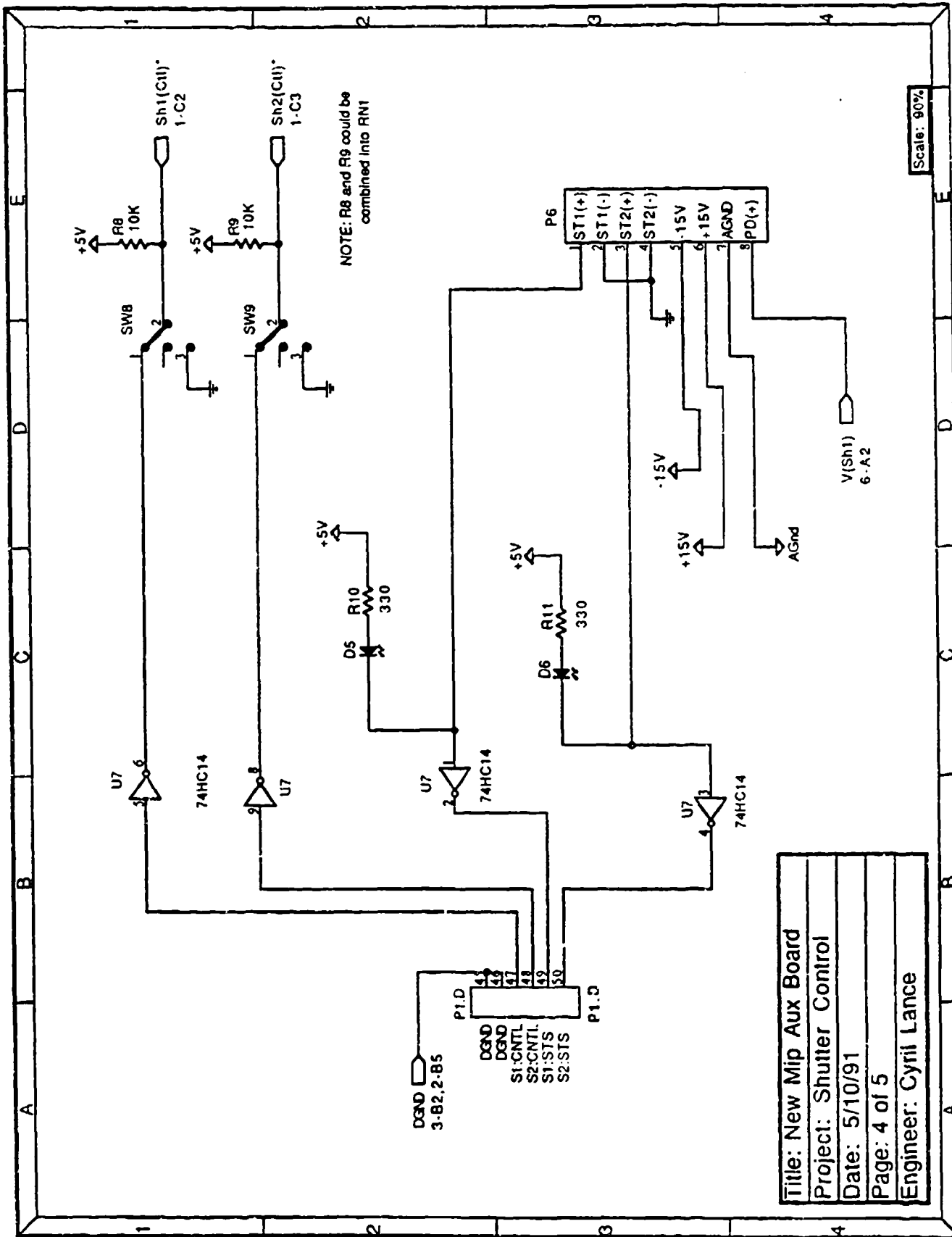


SCALE 70%

Title: New Mip Aux Board
Project: Filter Wheel Control
Date: 5/10/91
Page: 3 of 5
Engineer: Cyril Lance

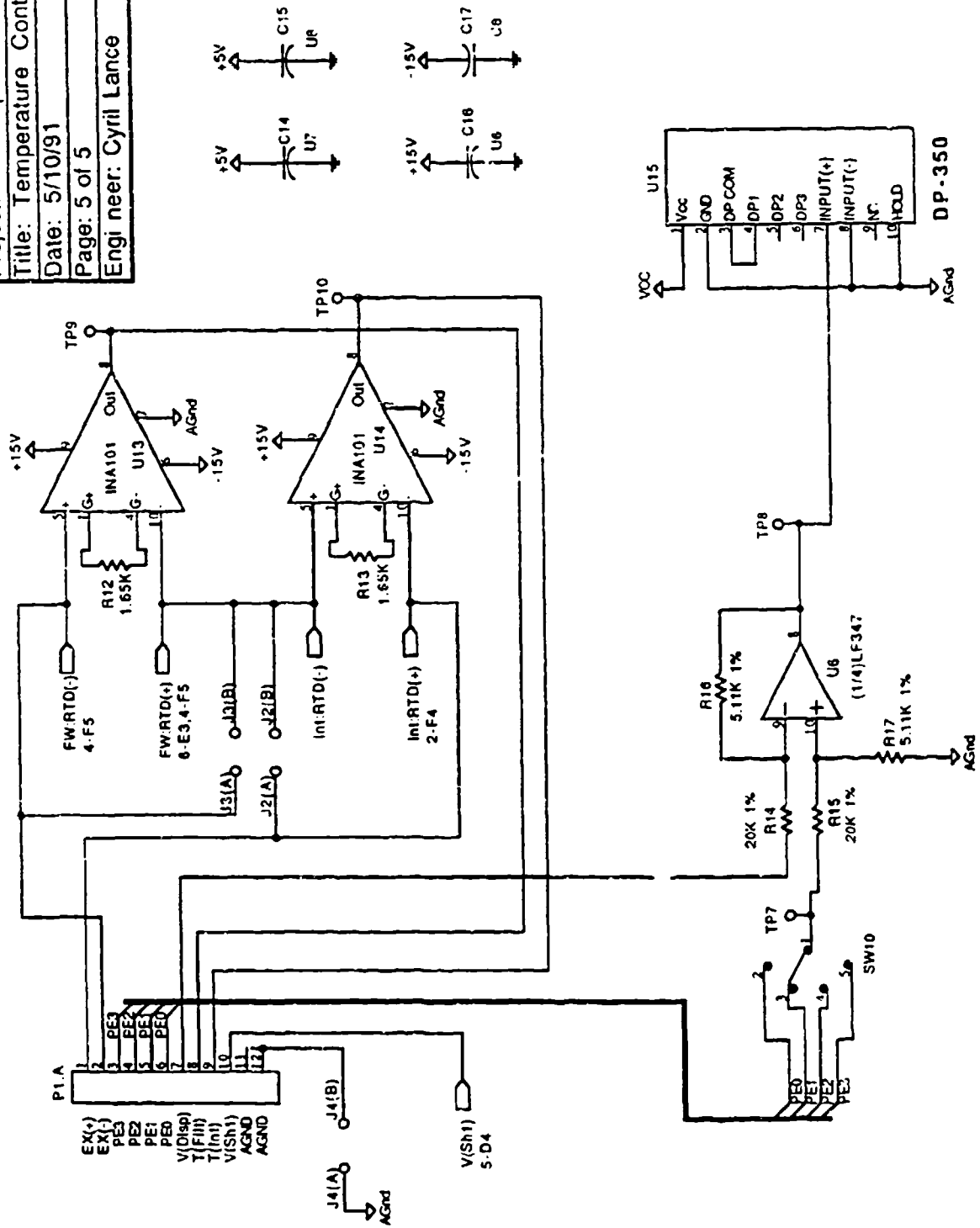


Scale: 82%

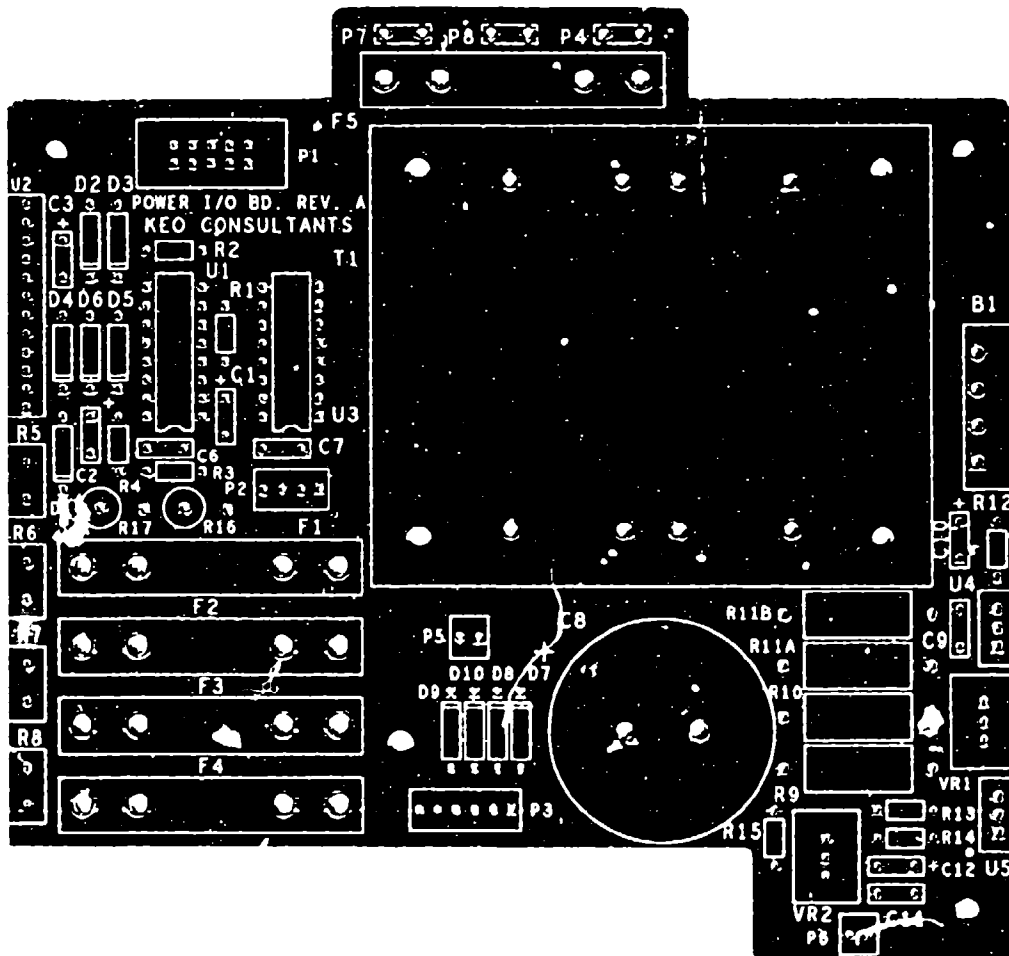


Title: New Mip Aux Board
Project: Shutter Control
Date: 5/10/91
Page: 4 of 5
Engineer: Cyril Lance

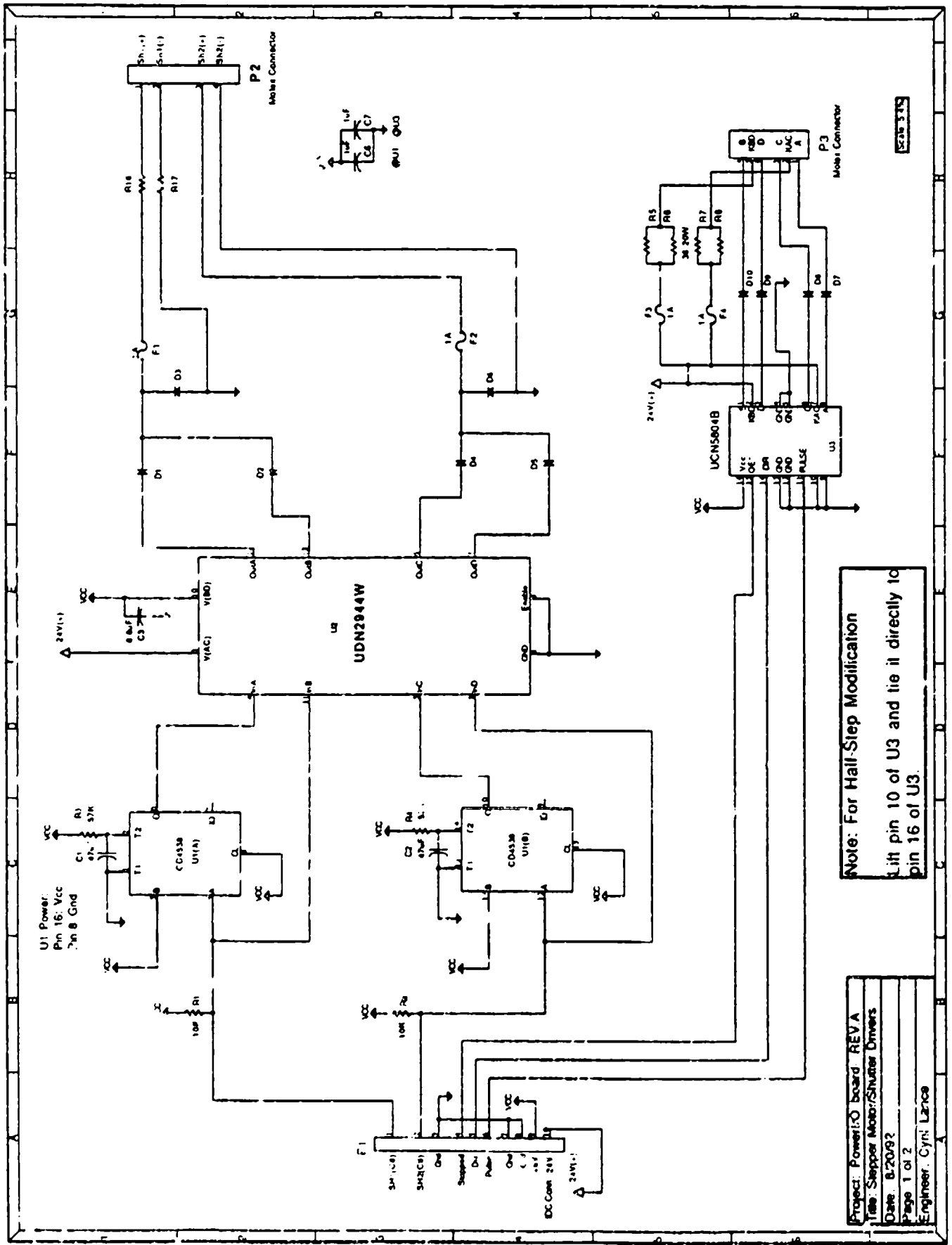
Project: New Mip Aux Board
 Title: Temperature Control
 Date: 5/10/91
 Page: 5 of 5
 Engi neer: Cyril Lance



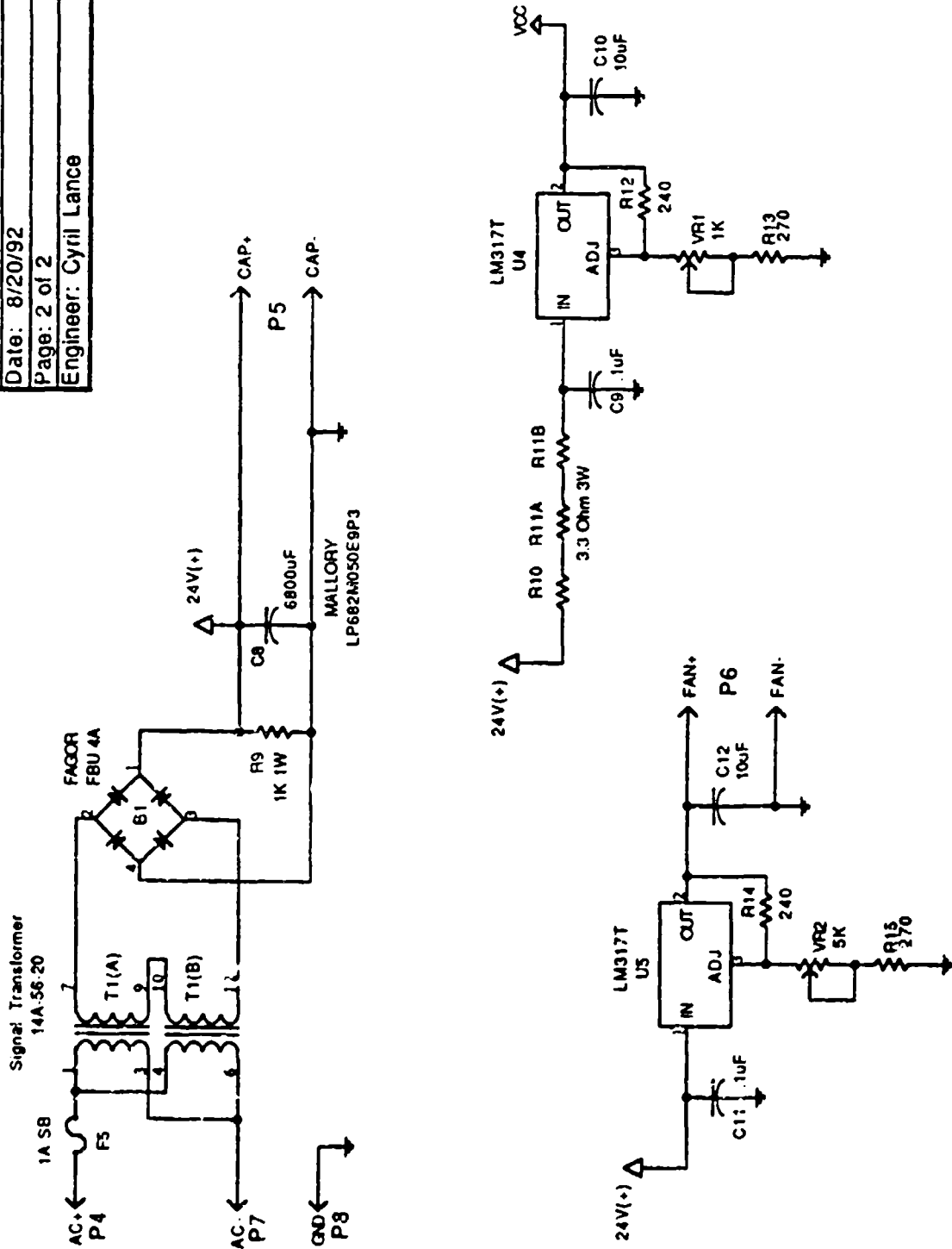
Scale: 80%



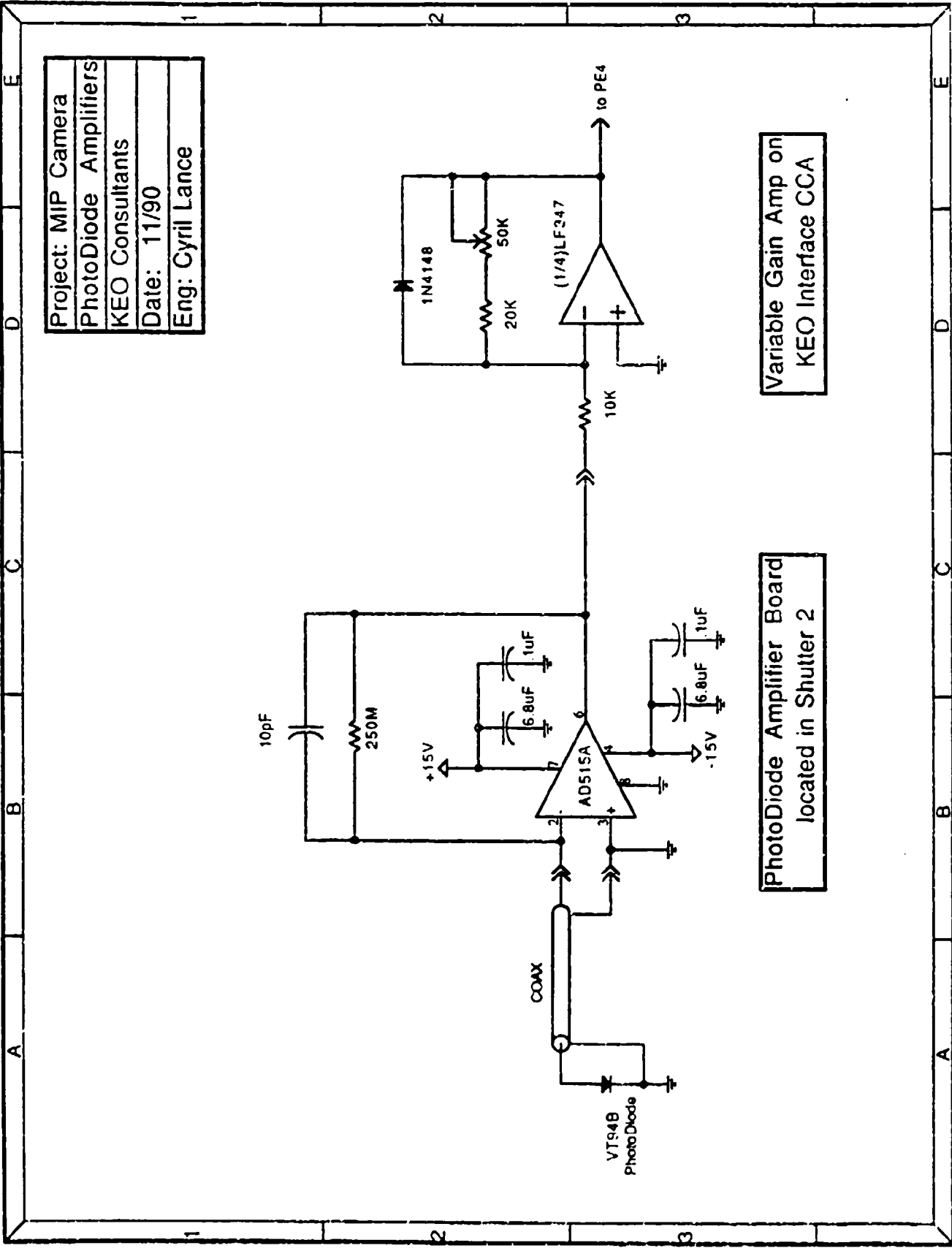
POWER I/O Rev.A Board Layout



Project: Power/I/O board- REV.A
 Title: 24V Power Supply
 Date: 8/20/92
 Page: 2 of 2
 Engineer: Cyril Lance



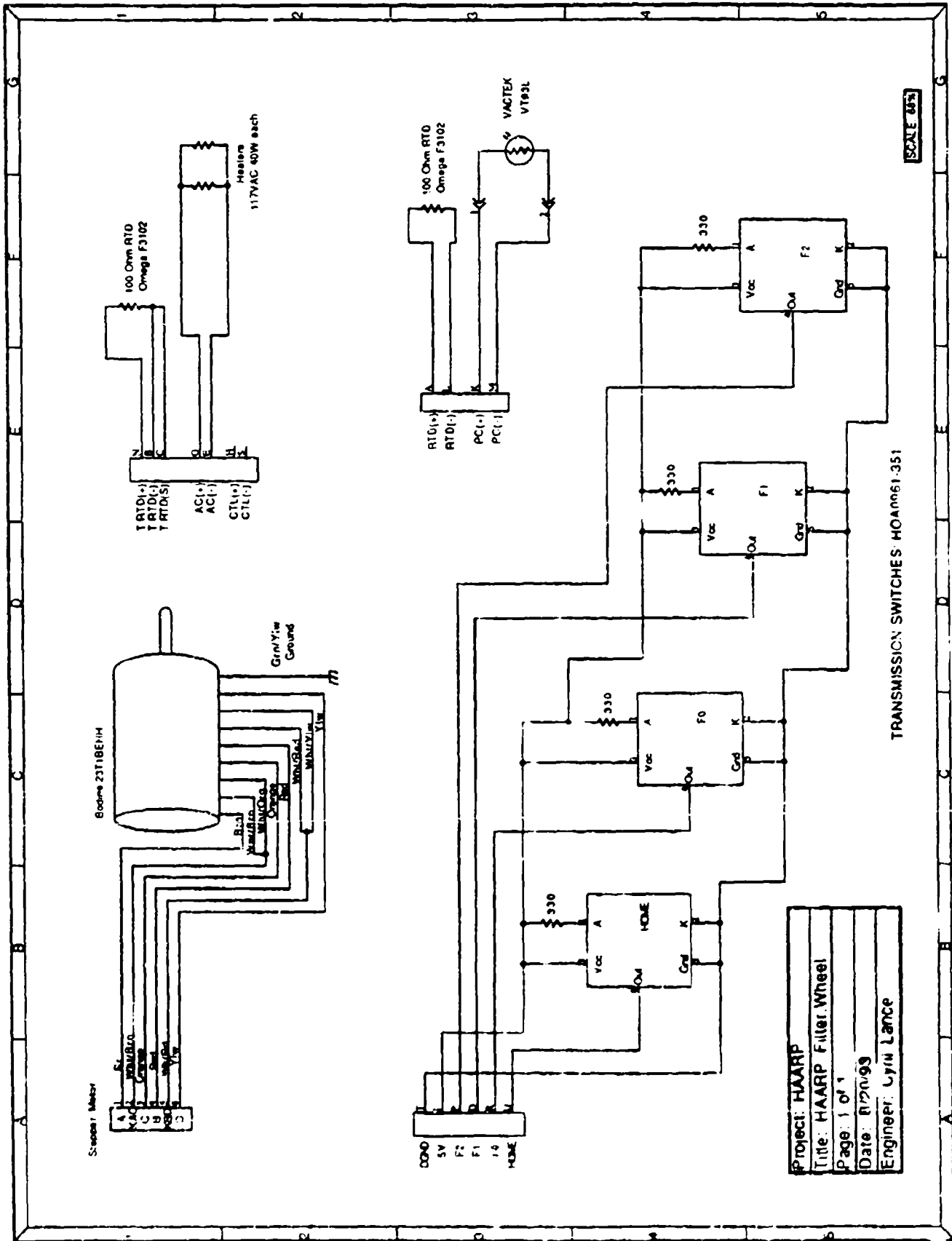
Scale: 65%



Project: MIP Camera
 PhotoDiode Amplifiers
 KEO Consultants
 Date: 11/90
 Eng: Cyril Lance

Variable Gain Amp on
 KEO Interface CCA

PhotoDiode Amplifier Board
 located in Shutter 2



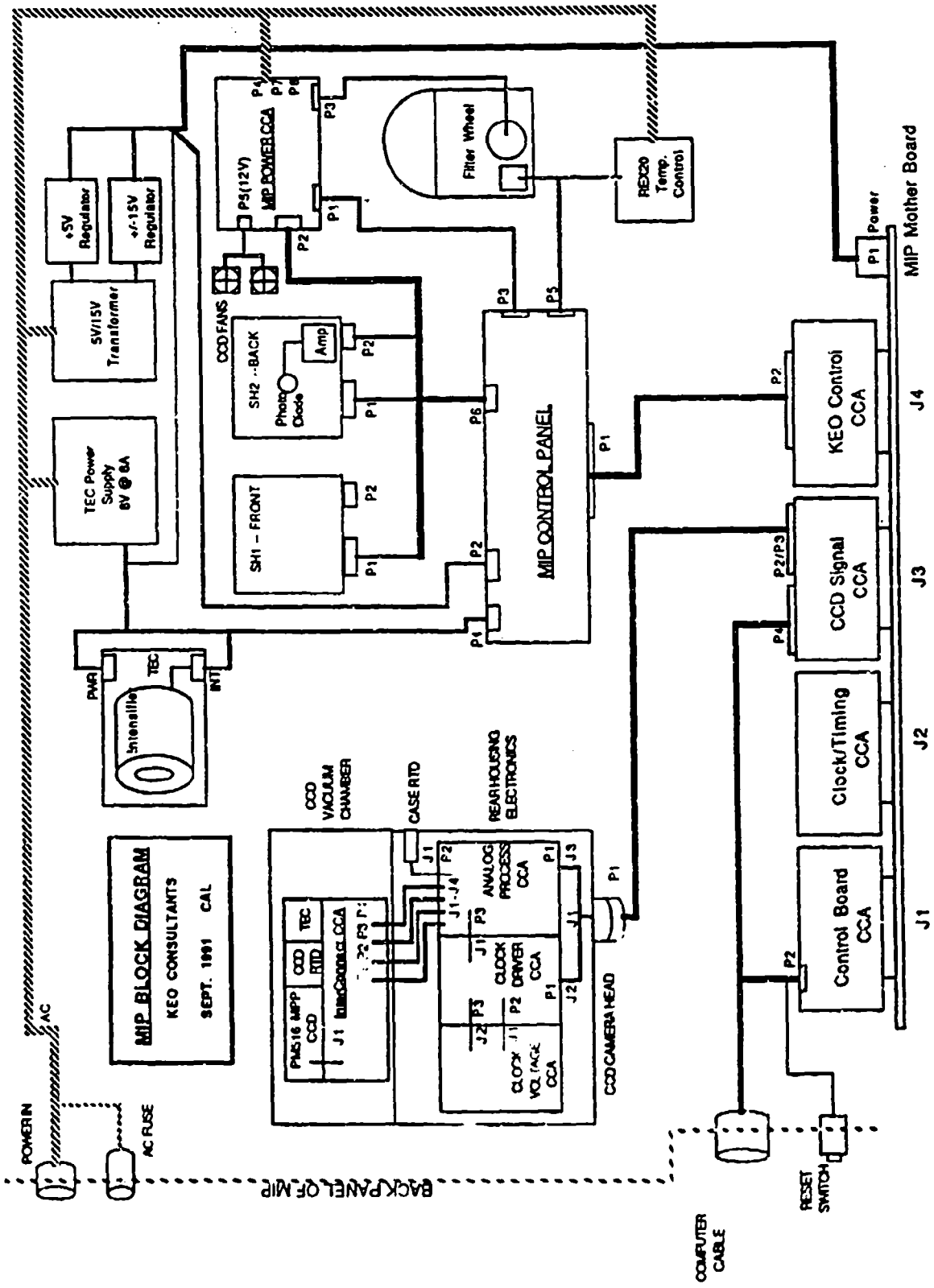
Project: HAARP
 Title: HAARP Filler Wheel
 Page: 1 of 1
 Date: 8/20/99
 Engineer: Lynn Lance

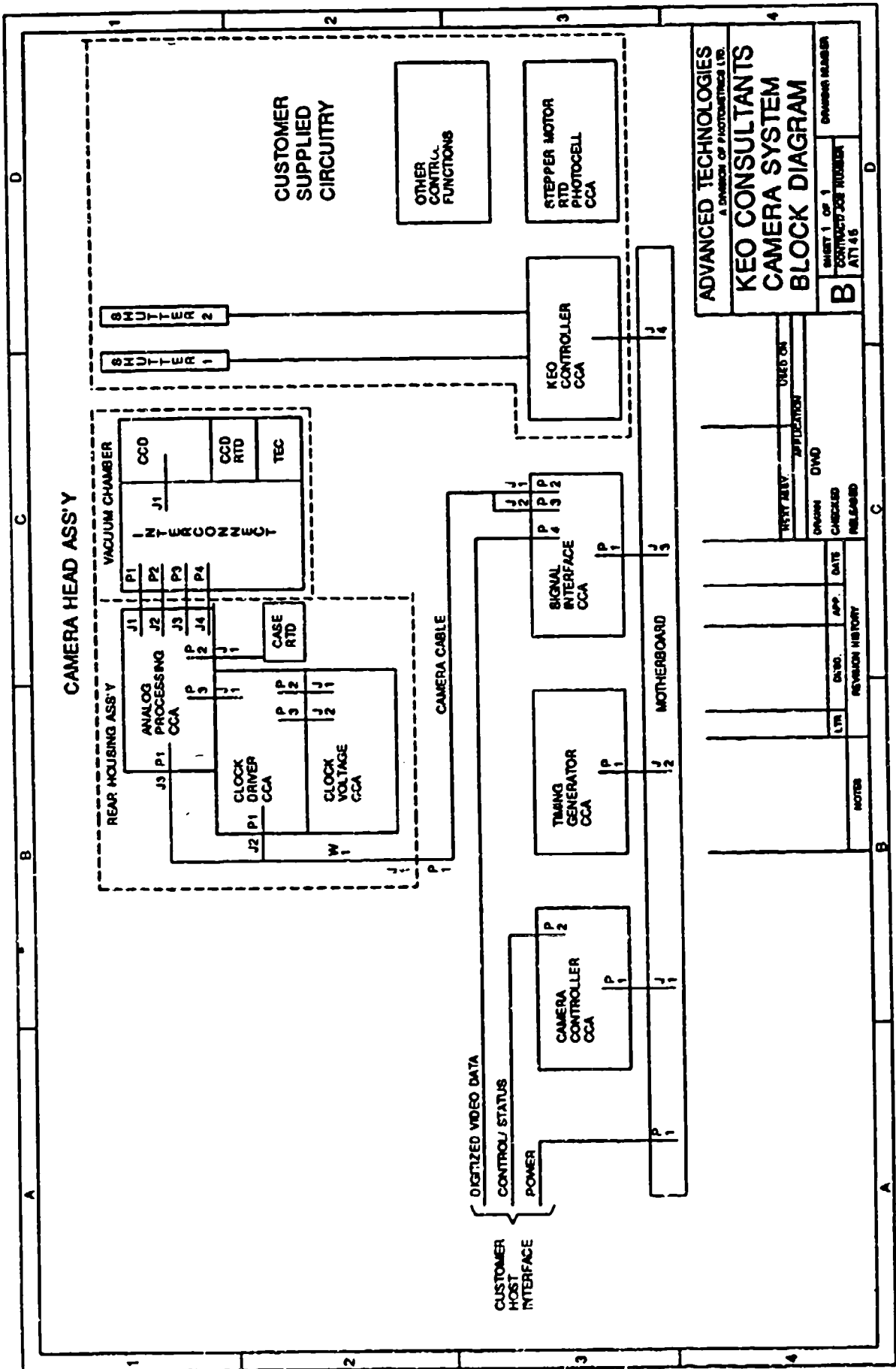
TRANSMISSION SWITCHES HOA0061-351

SCALE 25%

Chapter 10 Advanced Technologies Schematics

10.1	Image Hardware Block Diagram	268
10.2	Adv. Technologies Block Diagram	269
10.3	Mother Board Schematic	270
10.4	68HC11 Control Schematic	273
10.5	Controller PAL Program	276
10.6	68HC11 Pin Layout	277
10.7	Signal Board Schematic	278
10.8	Clock Timing Generator Schematic	280
10.9	CCD Interconnect Assembly	281
10.10	Driver CCA Schematic	282
10.11	Analog Processing CCA Schematic	286
10.12	Clock Power CCA Schematic	288
10.13	Case Temperature RTD Wiring	290
10.14	TEC Unregulated Power Supply	291





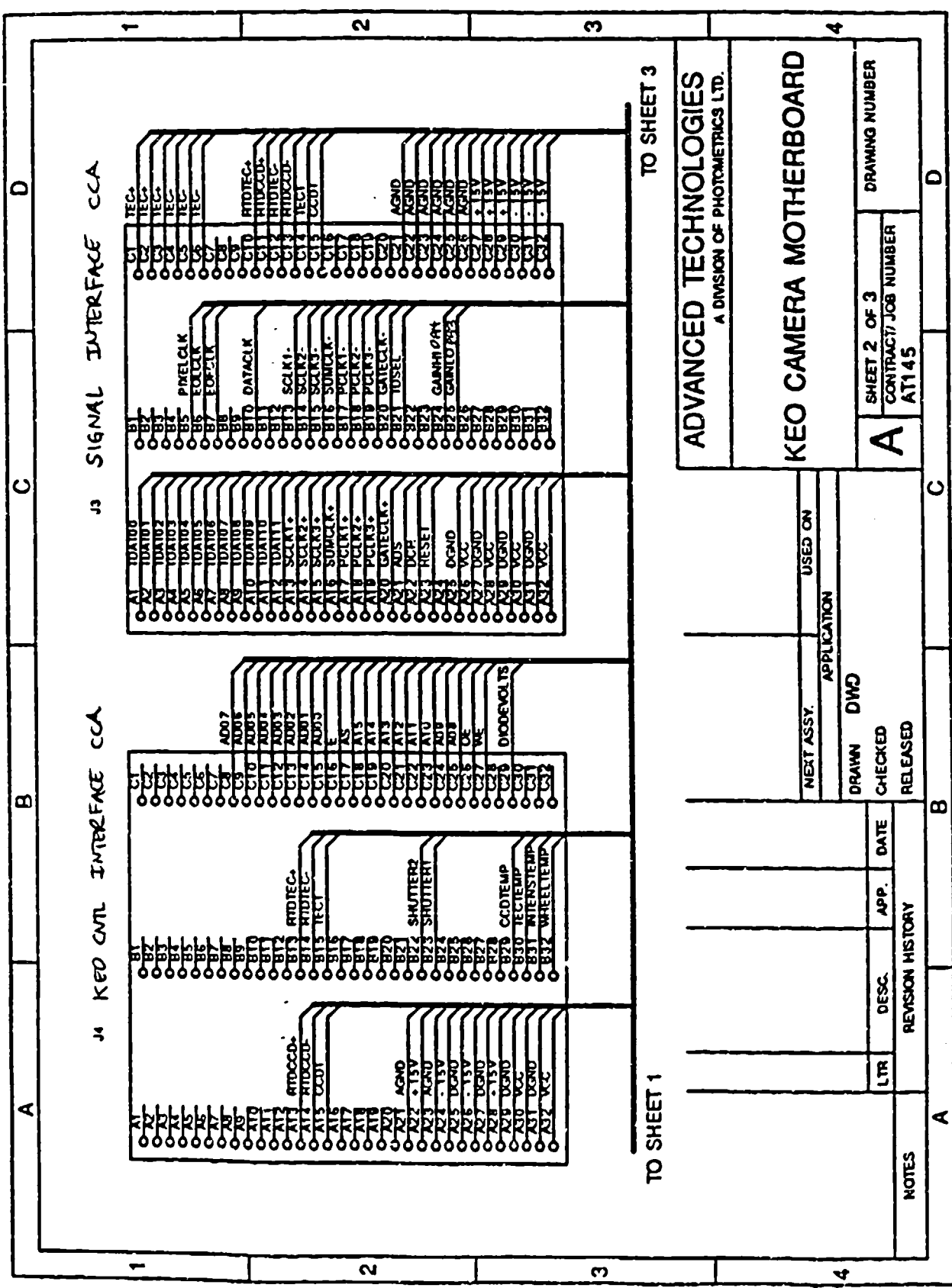
ADVANCED TECHNOLOGIES
A DIVISION OF AUTOMETRICS LTD.
KEO CONSULTANTS
CAMERA SYSTEM
BLOCK DIAGRAM

REVISION	APPROVED	USED ON
DATE	BY	
DATE	BY	
DATE	BY	
DATE	BY	

DATE	APP.	DATE	RELEASED

DATE	APP.	DATE	RELEASED

SHEET 1 OF 1
CONTRACT NO. 7201
ATTN: 45
DRAWING NUMBER



TO SHEET 1

TO SHEET 3

ADVANCED TECHNOLOGIES
A DIVISION OF PHOTOMETRICS LTD.

KEO CAMERA MOTHERBOARD

A SHEET 2 OF 3
CONTRACT/JOB NUMBER
AT145

USED ON APPLICATION

DRAWN DWD

CHECKED

RELEASED

DATE

APP.

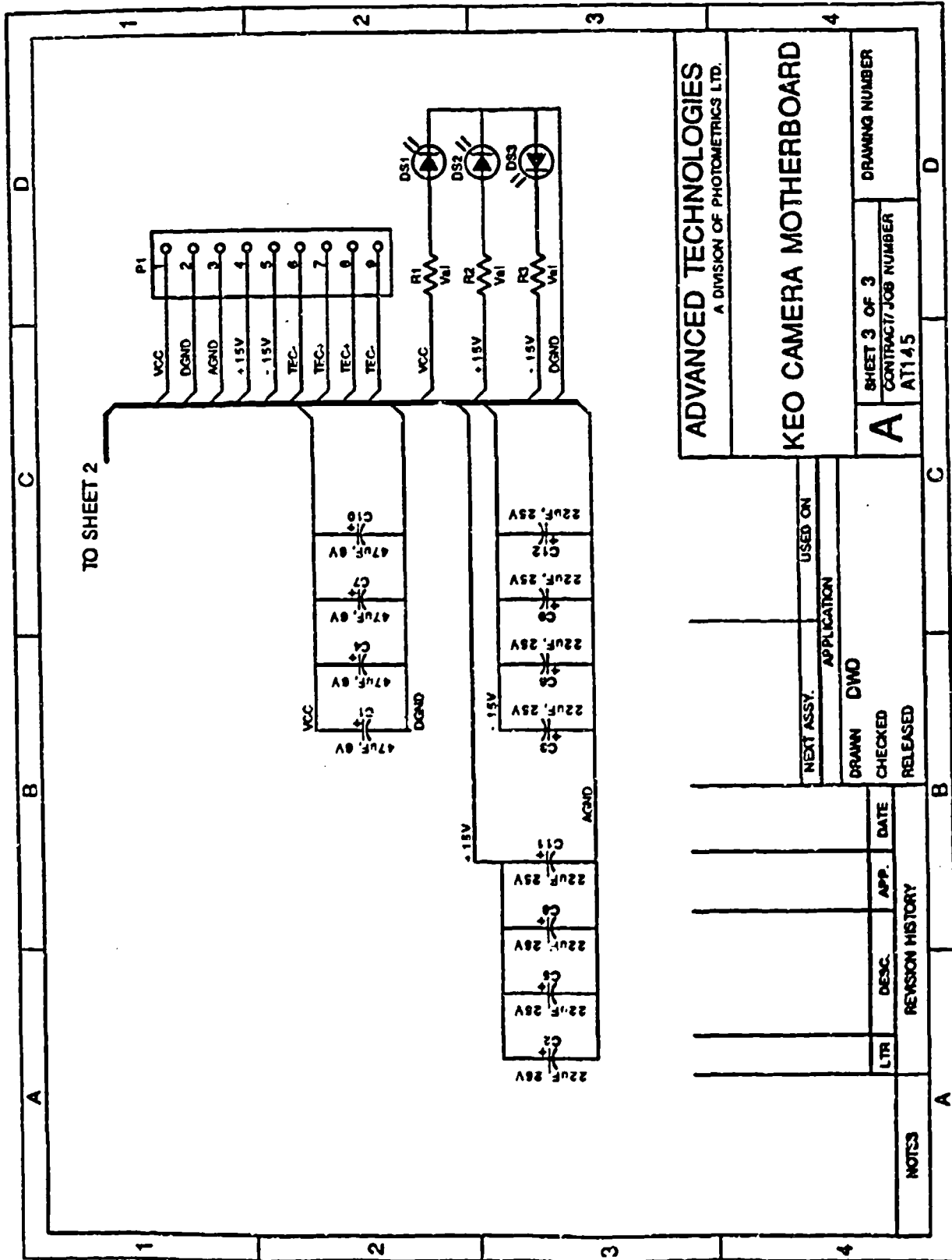
REVISION HISTORY

LTR

DESC.

DATE

NOTES



ADVANCED TECHNOLOGIES
A DIVISION OF PHOTOMETRICS LTD.

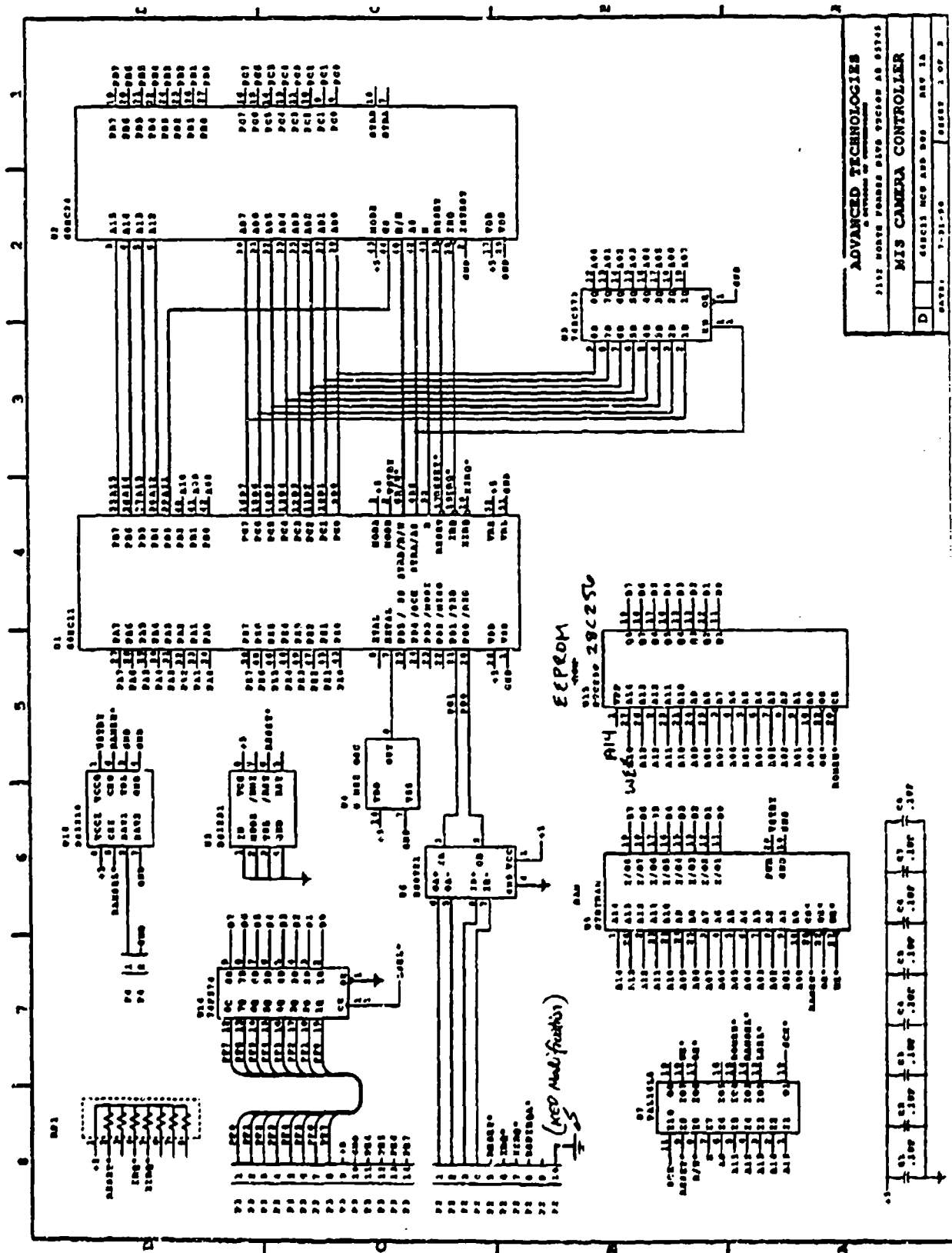
KE0 CAMERA MOTHERBOARD

SHEET 3 OF 3
DRAWING NUMBER
CONTRACT/JOB NUMBER
AT145

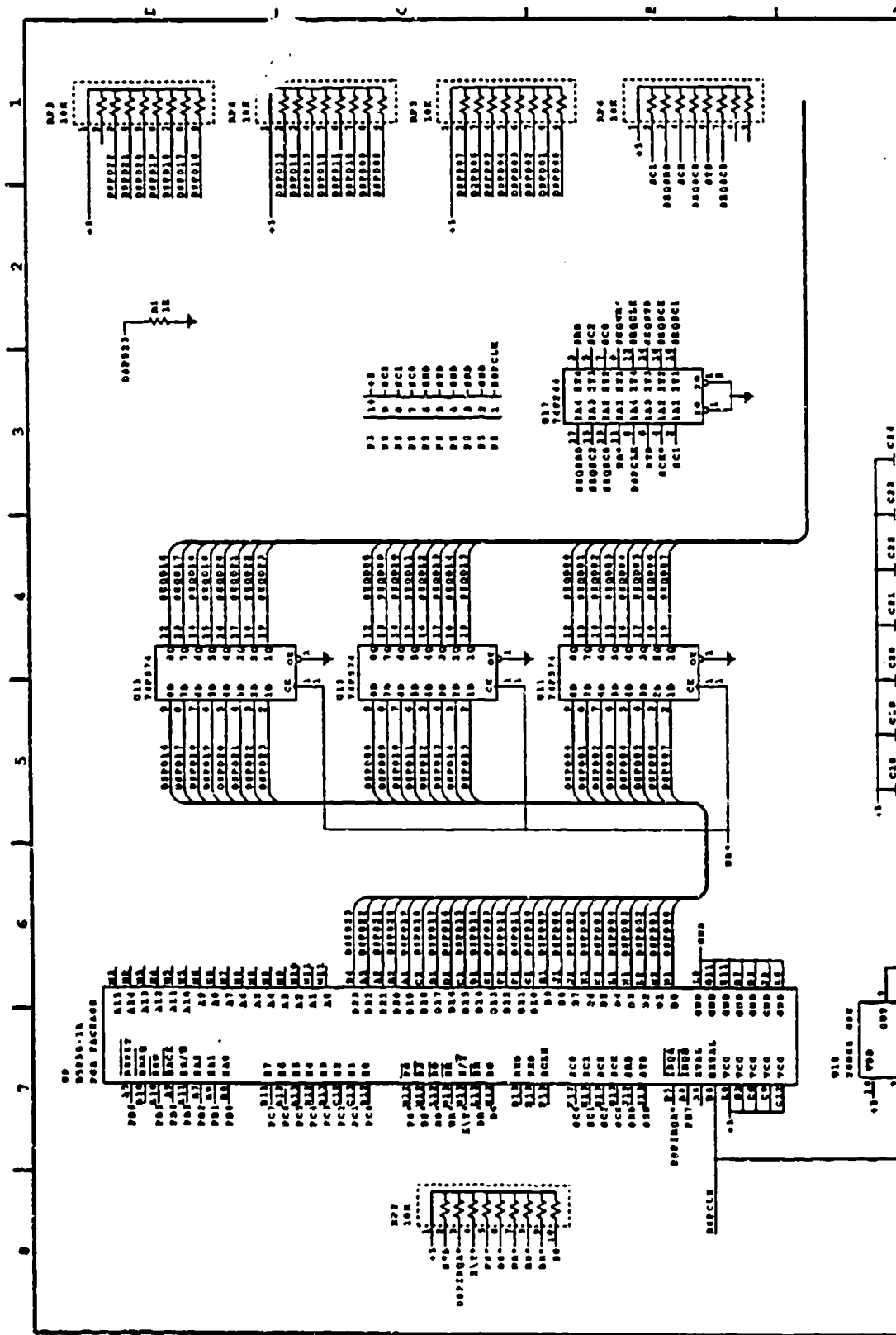
NEXT ASSY.	USED ON
DRAWN	DWO
CHECKED	
RELEASED	

REVISION HISTORY	
LTR	DATE

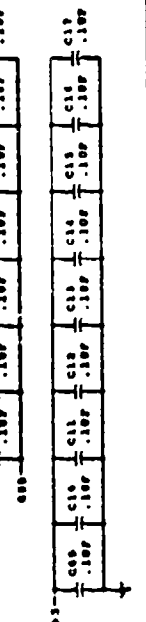
NOTES



ADVANCED TECHNOLOGIES
 A DIVISION OF TRW
 7112 WATKINS ROAD, FALLS CHURCH, VA 22044
MIS CAMERA CONTROLLER
 D 681312 MCO ADD 002 REV 1A
 DATE: 7-21-80 SHEET 1 OF 2



ADVANCED TECHNOLOGIES
 A Division of
MIS CAMERA CONTROLLER
 2102 MONTE ROSARIO BLVD SECON 40 05114
 D
 0000001 AND 0011228 REV 1A
 DATE: 7-21-80 SHEET 2 OF 3



1 2 3 4 5 6 7 8

ADVANCED TECHNOLOGIES <small>AN AMERICAN COMPANY</small>	
8100 MONTE PARRIS BLVD TORONTO ON M3J 1K3	
AIS CAMERA CONTROLLER	
D	800 INTERPACE DIV 3A
DATE:	7-21-88 SERIES 3 OF 3

210011 AS P1
 210012 AS P1
 210013 AS P1
 210014 AS P1
 210015 AS P1
 210016 AS P1
 210017 AS P1
 210018 AS P1
 210019 AS P1
 210020 AS P1
 210021 AS P1
 210022 AS P1
 210023 AS P1
 210024 AS P1
 210025 AS P1
 210026 AS P1
 210027 AS P1
 210028 AS P1
 210029 AS P1
 210030 AS P1
 210031 AS P1
 210032 AS P1
 210033 AS P1
 210034 AS P1
 210035 AS P1
 210036 AS P1
 210037 AS P1
 210038 AS P1
 210039 AS P1
 210040 AS P1
 210041 AS P1
 210042 AS P1
 210043 AS P1
 210044 AS P1
 210045 AS P1
 210046 AS P1
 210047 AS P1
 210048 AS P1
 210049 AS P1
 210050 AS P1
 210051 AS P1
 210052 AS P1
 210053 AS P1
 210054 AS P1
 210055 AS P1
 210056 AS P1
 210057 AS P1
 210058 AS P1
 210059 AS P1
 210060 AS P1
 210061 AS P1
 210062 AS P1
 210063 AS P1
 210064 AS P1
 210065 AS P1
 210066 AS P1
 210067 AS P1
 210068 AS P1
 210069 AS P1
 210070 AS P1
 210071 AS P1
 210072 AS P1
 210073 AS P1
 210074 AS P1
 210075 AS P1
 210076 AS P1
 210077 AS P1
 210078 AS P1
 210079 AS P1
 210080 AS P1
 210081 AS P1
 210082 AS P1
 210083 AS P1
 210084 AS P1
 210085 AS P1
 210086 AS P1
 210087 AS P1
 210088 AS P1
 210089 AS P1
 210090 AS P1
 210091 AS P1
 210092 AS P1
 210093 AS P1
 210094 AS P1
 210095 AS P1
 210096 AS P1
 210097 AS P1
 210098 AS P1
 210099 AS P1
 210100 AS P1

220001
 220002
 220003
 220004
 220005
 220006
 220007
 220008
 220009
 220010
 220011
 220012
 220013
 220014
 220015
 220016
 220017
 220018
 220019
 220020
 220021
 220022
 220023
 220024
 220025
 220026
 220027
 220028
 220029
 220030
 220031
 220032
 220033
 220034
 220035
 220036
 220037
 220038
 220039
 220040
 220041
 220042
 220043
 220044
 220045
 220046
 220047
 220048
 220049
 220050
 220051
 220052
 220053
 220054
 220055
 220056
 220057
 220058
 220059
 220060
 220061
 220062
 220063
 220064
 220065
 220066
 220067
 220068
 220069
 220070
 220071
 220072
 220073
 220074
 220075
 220076
 220077
 220078
 220079
 220080
 220081
 220082
 220083
 220084
 220085
 220086
 220087
 220088
 220089
 220090
 220091
 220092
 220093
 220094
 220095
 220096
 220097
 220098
 220099
 220100

010001
 010002
 010003
 010004
 010005
 010006
 010007
 010008
 010009
 010010
 010011
 010012
 010013
 010014
 010015
 010016
 010017
 010018
 010019
 010020
 010021
 010022
 010023
 010024
 010025
 010026
 010027
 010028
 010029
 010030
 010031
 010032
 010033
 010034
 010035
 010036
 010037
 010038
 010039
 010040
 010041
 010042
 010043
 010044
 010045
 010046
 010047
 010048
 010049
 010050
 010051
 010052
 010053
 010054
 010055
 010056
 010057
 010058
 010059
 010060
 010061
 010062
 010063
 010064
 010065
 010066
 010067
 010068
 010069
 010070
 010071
 010072
 010073
 010074
 010075
 010076
 010077
 010078
 010079
 010080
 010081
 010082
 010083
 010084
 010085
 010086
 010087
 010088
 010089
 010090
 010091
 010092
 010093
 010094
 010095
 010096
 010097
 010098
 010099
 010100

PE4
 (KED Modification)

DEVICE mis_addr_select_2 (pal1618)

PIN

```
a15 = 1 (INPUT combinatorial)
a14 = 2 (INPUT combinatorial)
a13 = 3 (INPUT combinatorial)
a12 = 4 (INPUT combinatorial)
a11 = 5 (INPUT combinatorial)
as = 6 (INPUT combinatorial)
e = 7 (INPUT combinatorial)
rd = 8 (INPUT combinatorial)
/reset = 9 (INPUT combinatorial)
sckin = 11 (INPUT combinatorial)
/sckout = 12 (OUTPUT combinatorial active_low)
/lsel = 13 (OUTPUT combinatorial active_low)
/ramsel = 14 (OUTPUT combinatorial active_low)
/romsel = 15 (OUTPUT combinatorial active_low)
/memdis = 16 (IO combinatorial active_low)
/oe = 17 (OUTPUT combinatorial active_low)
/we = 18 (OUTPUT combinatorial active_low)
```

;

BEGIN

"Enable all outputs"

```
ENABLE (sckout);
ENABLE (lsel);
ENABLE (ramsel);
ENABLE (romsel);
ENABLE (memdis);
ENABLE (oe);
ENABLE (we);
```

```
"ramsel = select lower 32k"
ramsel = /a15 * /reset * /memdis;
```

```
"romsel = select upper 32k"
romsel = a15 * /reset * /memdis;
```

```
"lsel = latch select "
lsel = a15 * a14 * /a13 * a12 * a11 * /rd * e * /reset;
```

```
"disable memory at DAC and internal register locations"
memdis = ( a15 * /a14 * a13 * a12 * /a11 ) + "68HC24 internal registers"
          ( a15 * a14 * /a13 * a12 * a11 ) + "LATCH (lsel) location"
          (reset); "disable on reset"
```

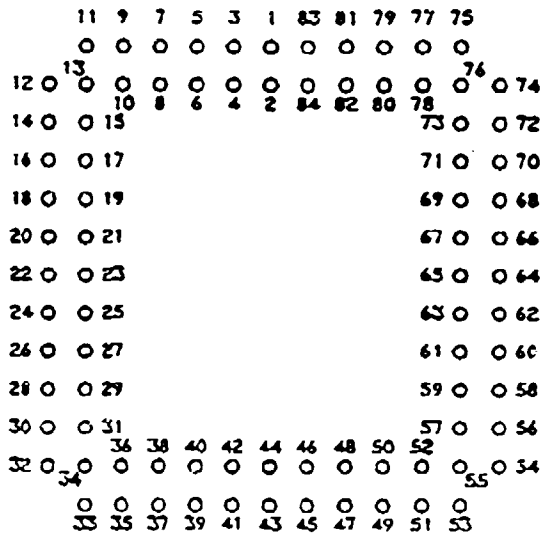
```
"output enable"
oe = rd * e * /reset;
```

```
"write enable"
we = /rd * e * /reset;
```

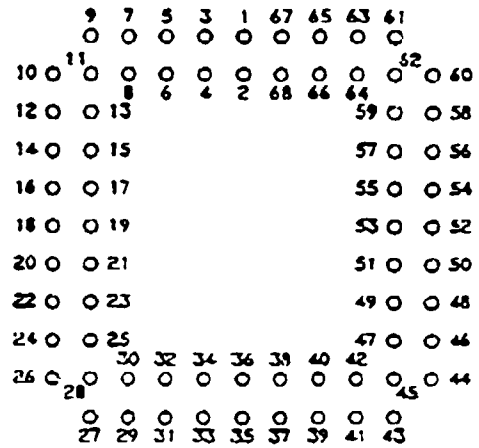
```
" Just an inverter"
sckout = sckin;
```

END.

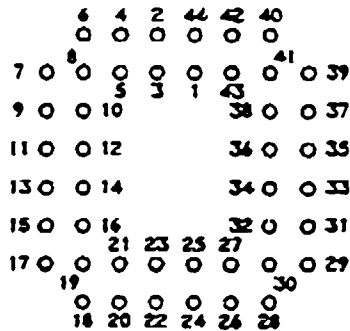
RECOMMENDED P. C. BOARD PATTERNS AND NUMBERING SEQUENCE



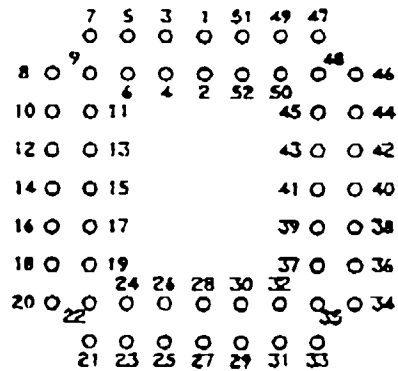
84 POS.



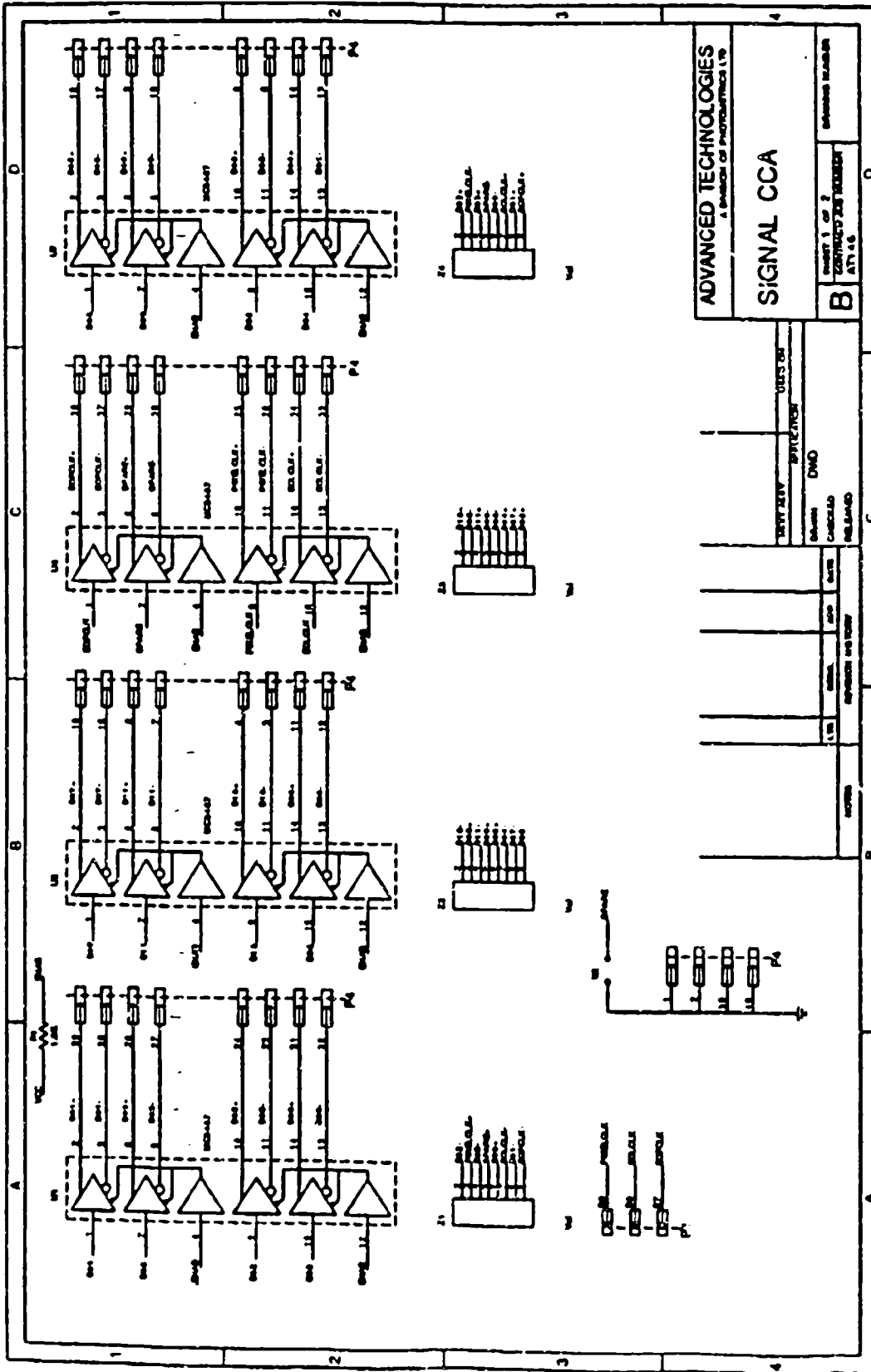
68 POS.



44 POS.



52 POS.



ADVANCED TECHNOLOGIES
A DIVISION OF PHOTOGRAPHICS LTD

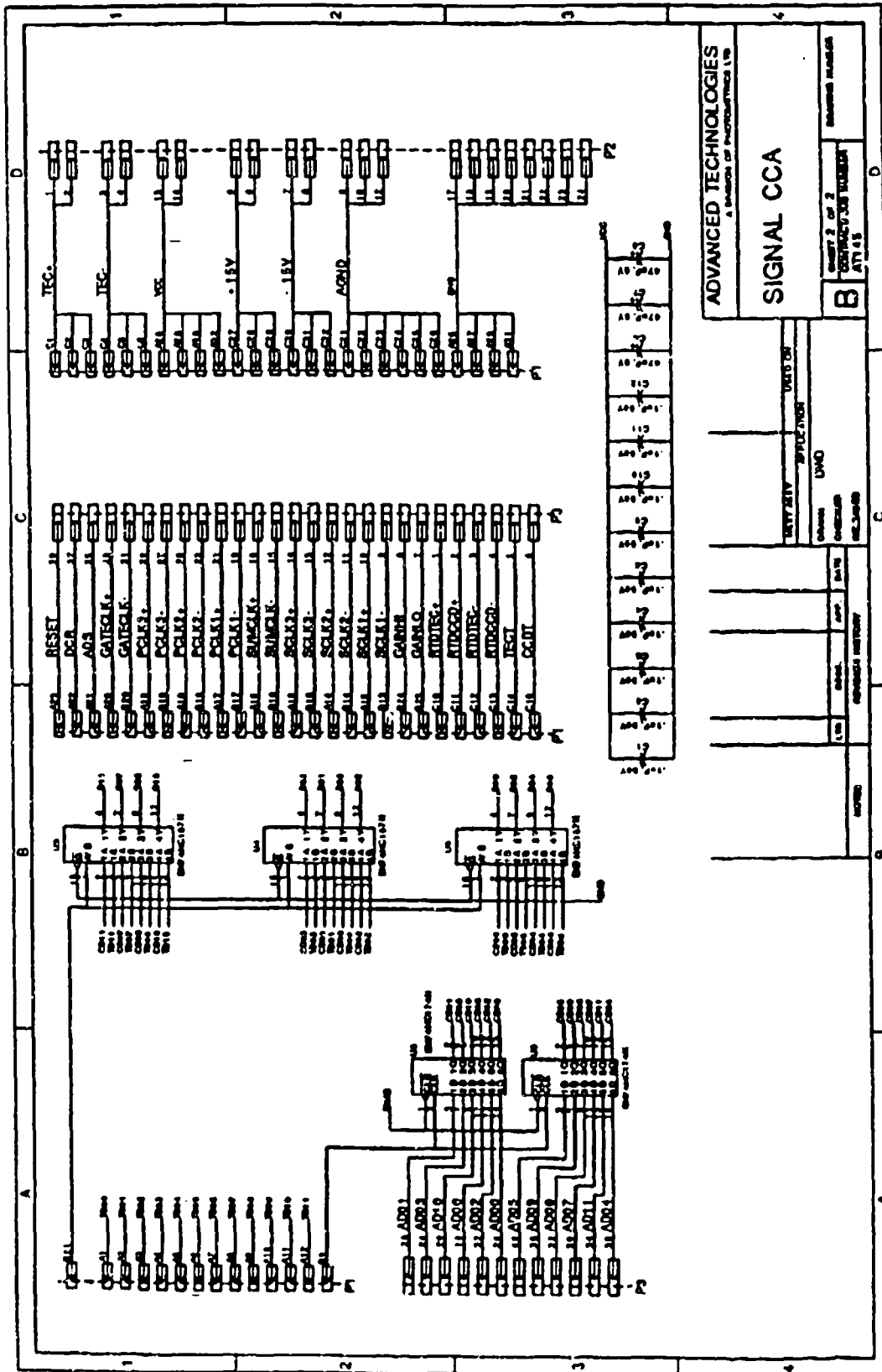
SIGNAL CCA

UNIT 1 OF 2
CONTRACT 705 705007
ATLAS

ISSUE NUMBER

REV	DATE	BY	CHKD	DATE	REASON





ADVANCED TECHNOLOGIES
A DIVISION OF PHOTONICS LTD

SIGNAL CCA

REVISED DRAWING NUMBER
REVISED DATE

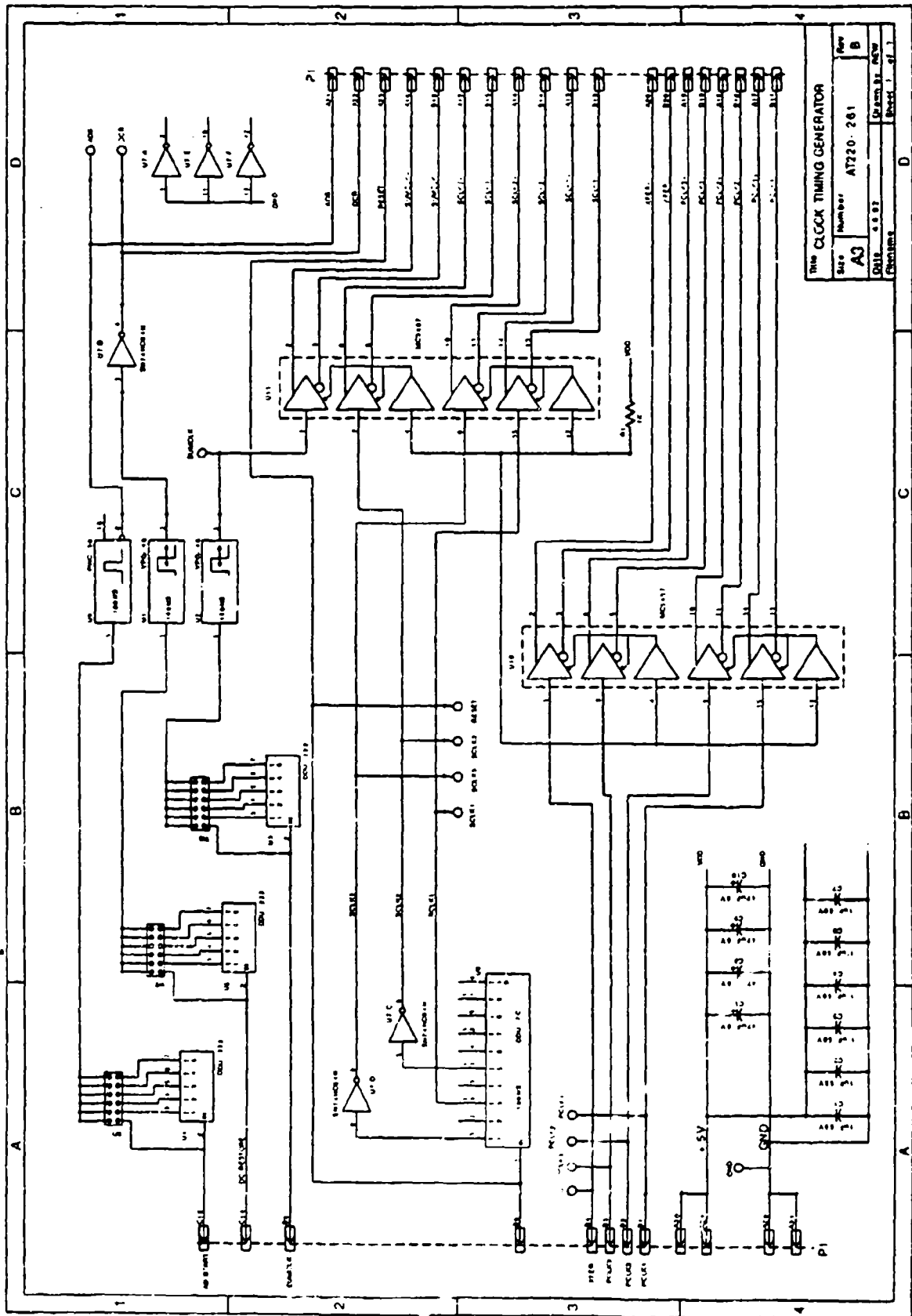
REVISED DRAWING NUMBER
REVISED DATE

REVISED DRAWING NUMBER
REVISED DATE

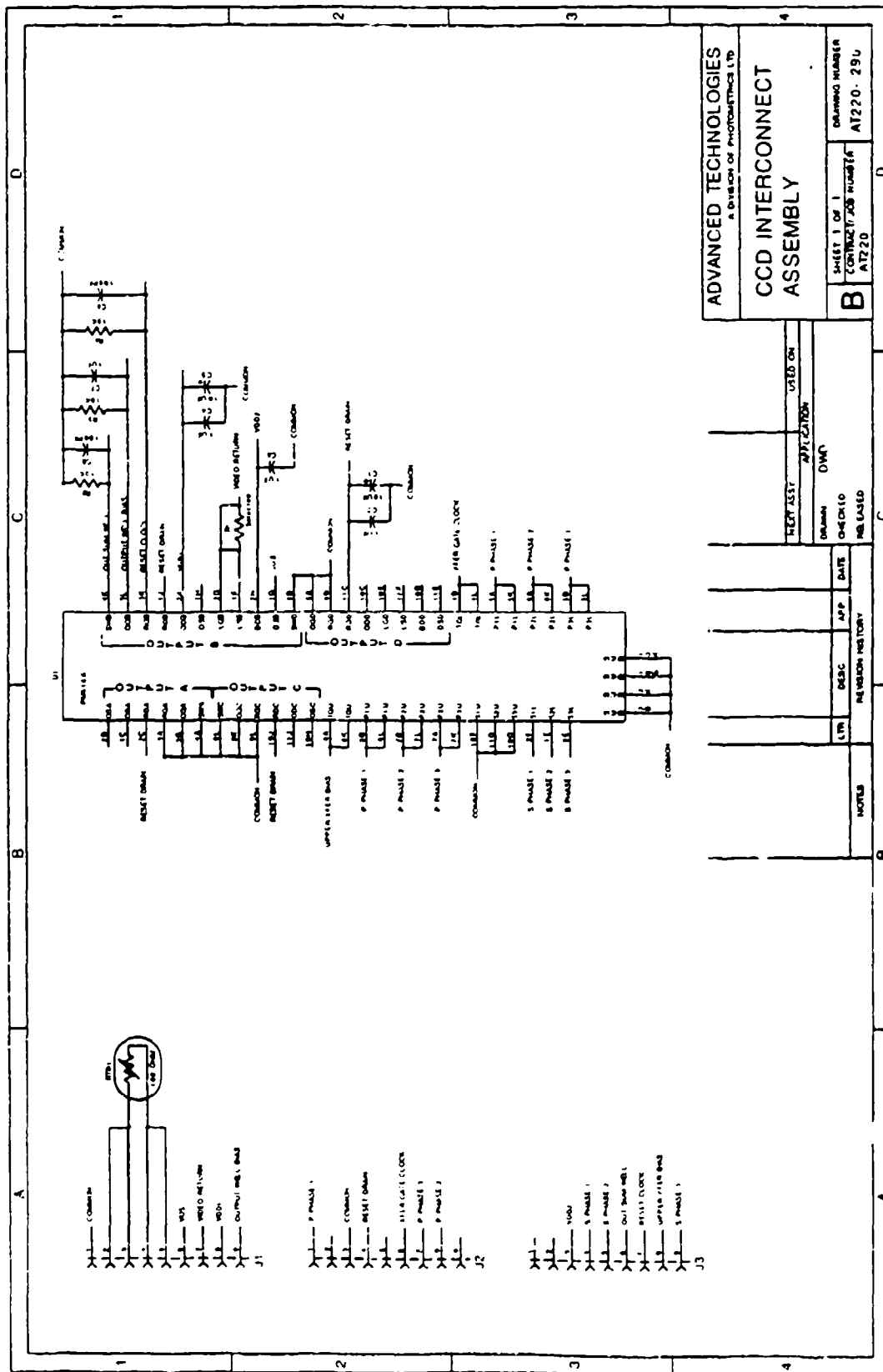
REVISED DRAWING NUMBER
REVISED DATE

REVISED DRAWING NUMBER
REVISED DATE

REVISED DRAWING NUMBER
REVISED DATE



Title			
Size	Number	AT720-261	
A3		Rev	B
Date		Drawn by	
0318 05 07		Checked	
		Sheet 1 of 1	



ADVANCED TECHNOLOGIES
 a division of PROTECHNICAL LTD

CCD INTERCONNECT ASSEMBLY

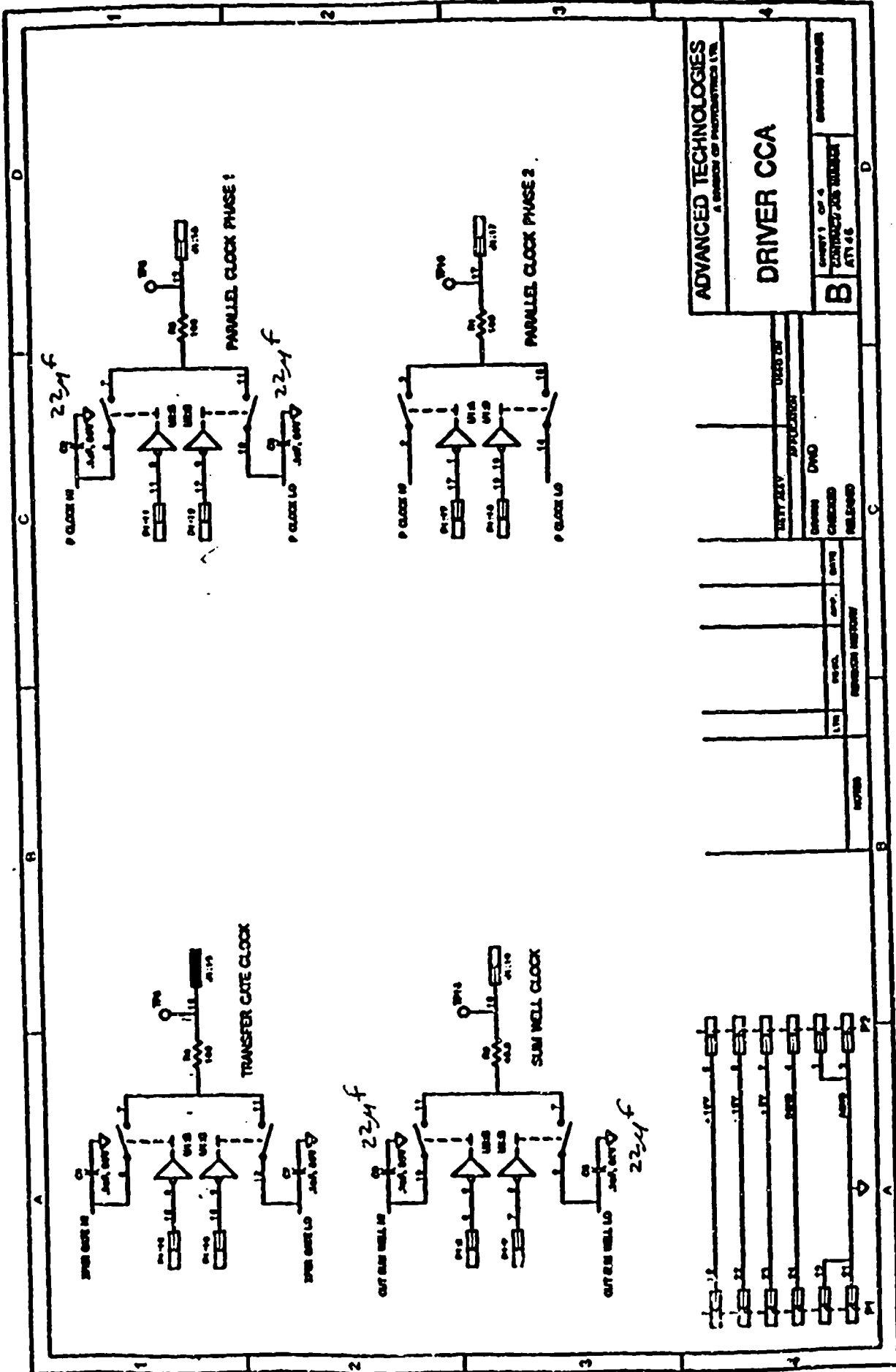
SHEET 1 OF 1
 CONTRACT/JOB NUMBER
 AT220

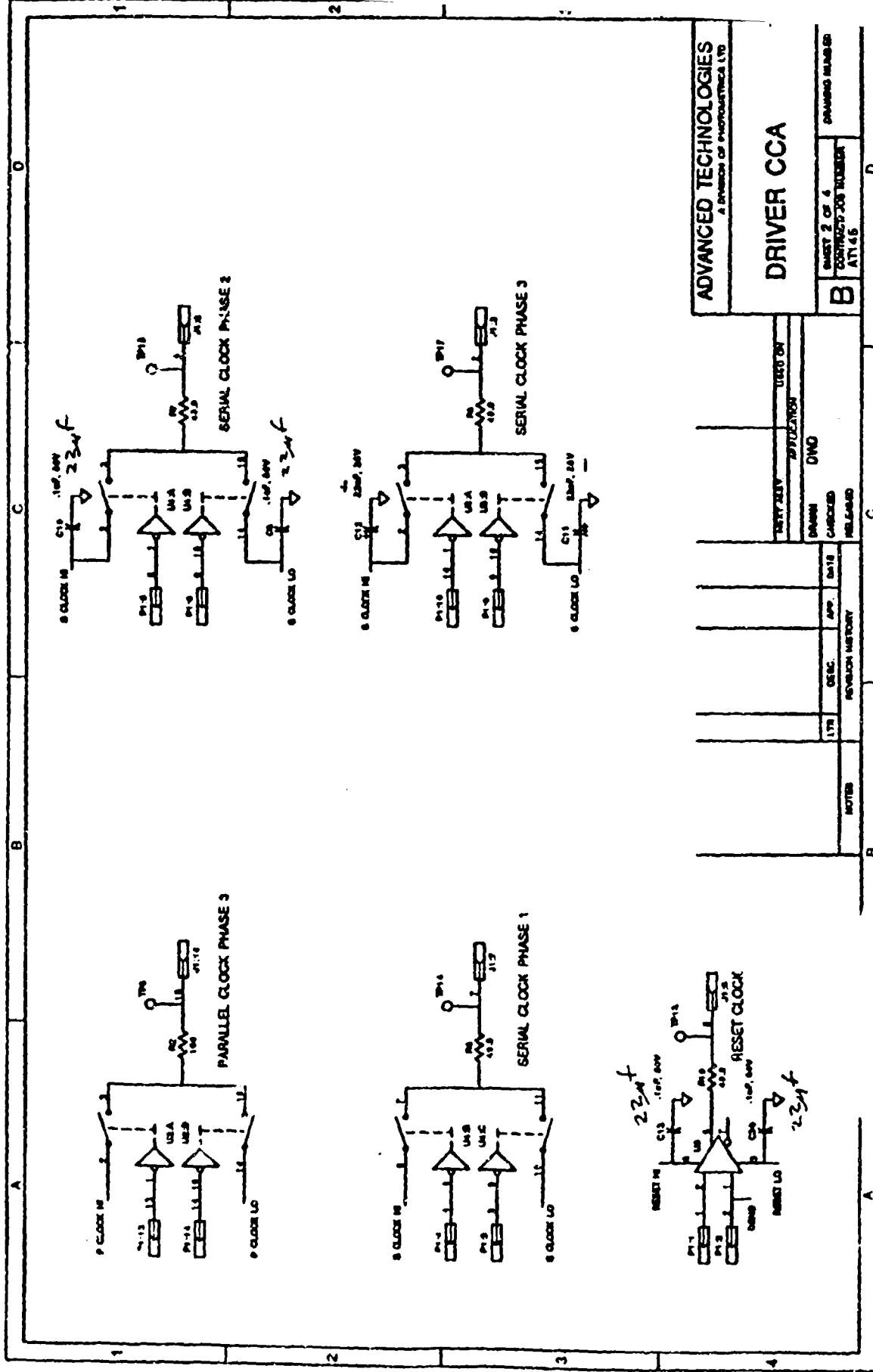
DRAWING NUMBER
 AT220 - 29U

REV	DATE	BY	CHKD	REASON

REV	DATE	BY	CHKD	REASON

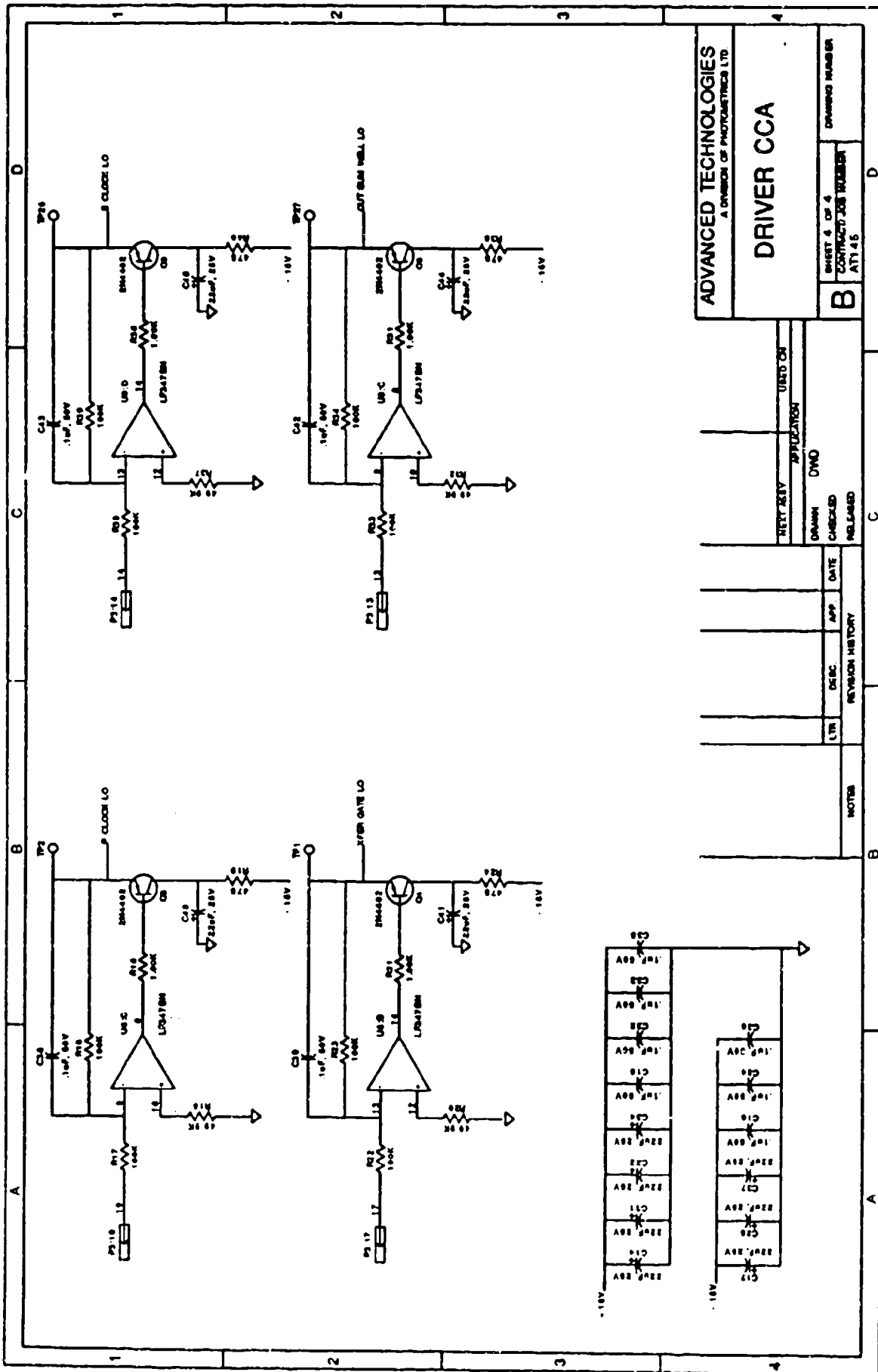
REV	DATE	BY	CHKD	REASON





ADVANCED TECHNOLOGIES
 A DIVISION OF ELECTRONICA LTD
DRIVER CCA
 SHEET 2 OF 4
 CONTRACT JOB NUMBER
 ATI 45

NOTES		REVISION HISTORY		DRAWING NUMBER	
LTN	DESC.	APP.	DATE	ISSUED	REVISED



ADVANCED TECHNOLOGIES
A DIVISION OF PHOTOASTRICA LTD

DRIVER CCA

REVISION HISTORY

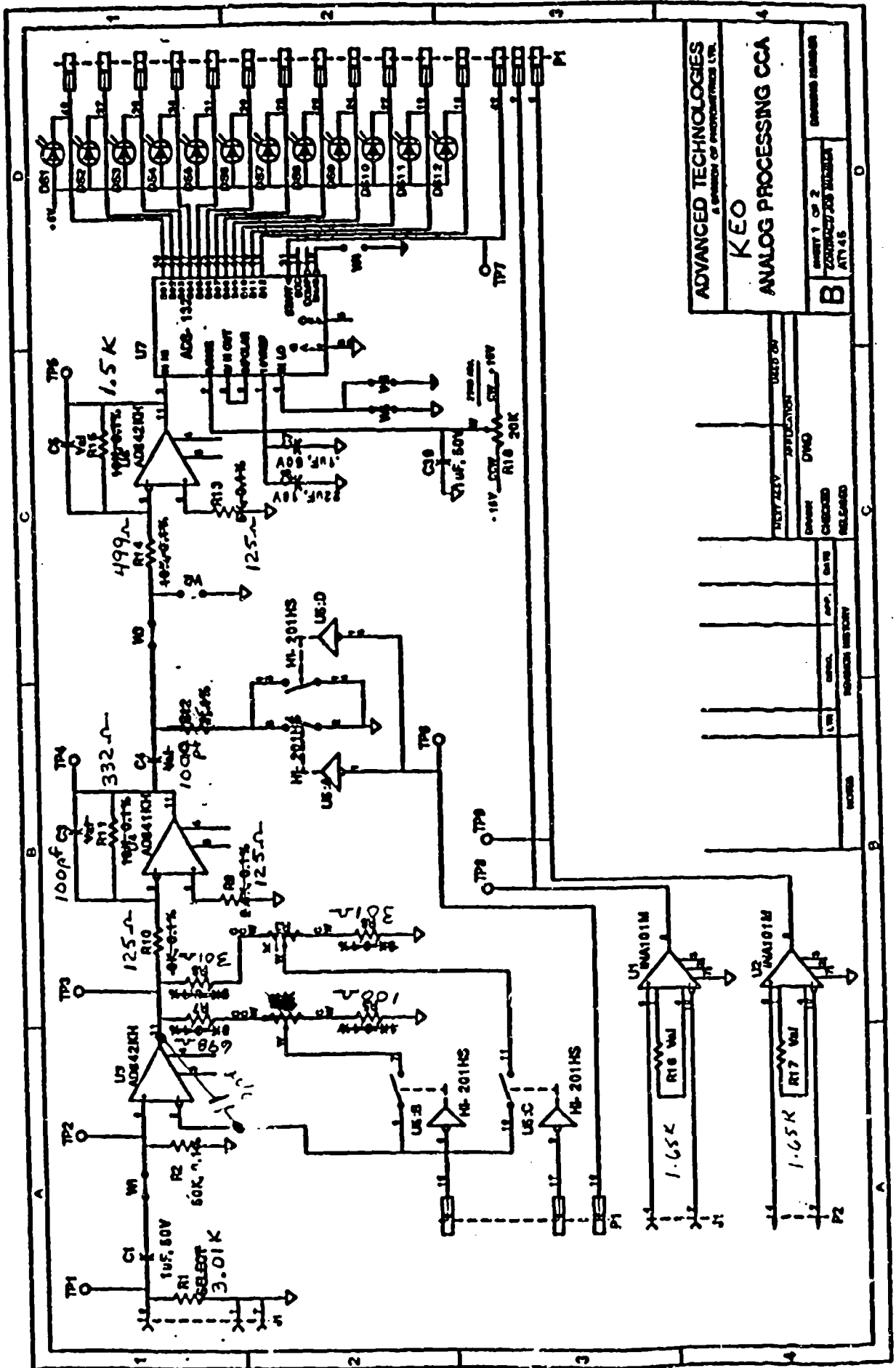
LTR	DESC	APP	DATE	CHECKED	RELEASED

NET REV: USED CR
DWMH DMD

REVISION HISTORY

PROJECT 4 OF 4
CONTRACT 7308 1000001
ATT 4.6

DRAWING NUMBER

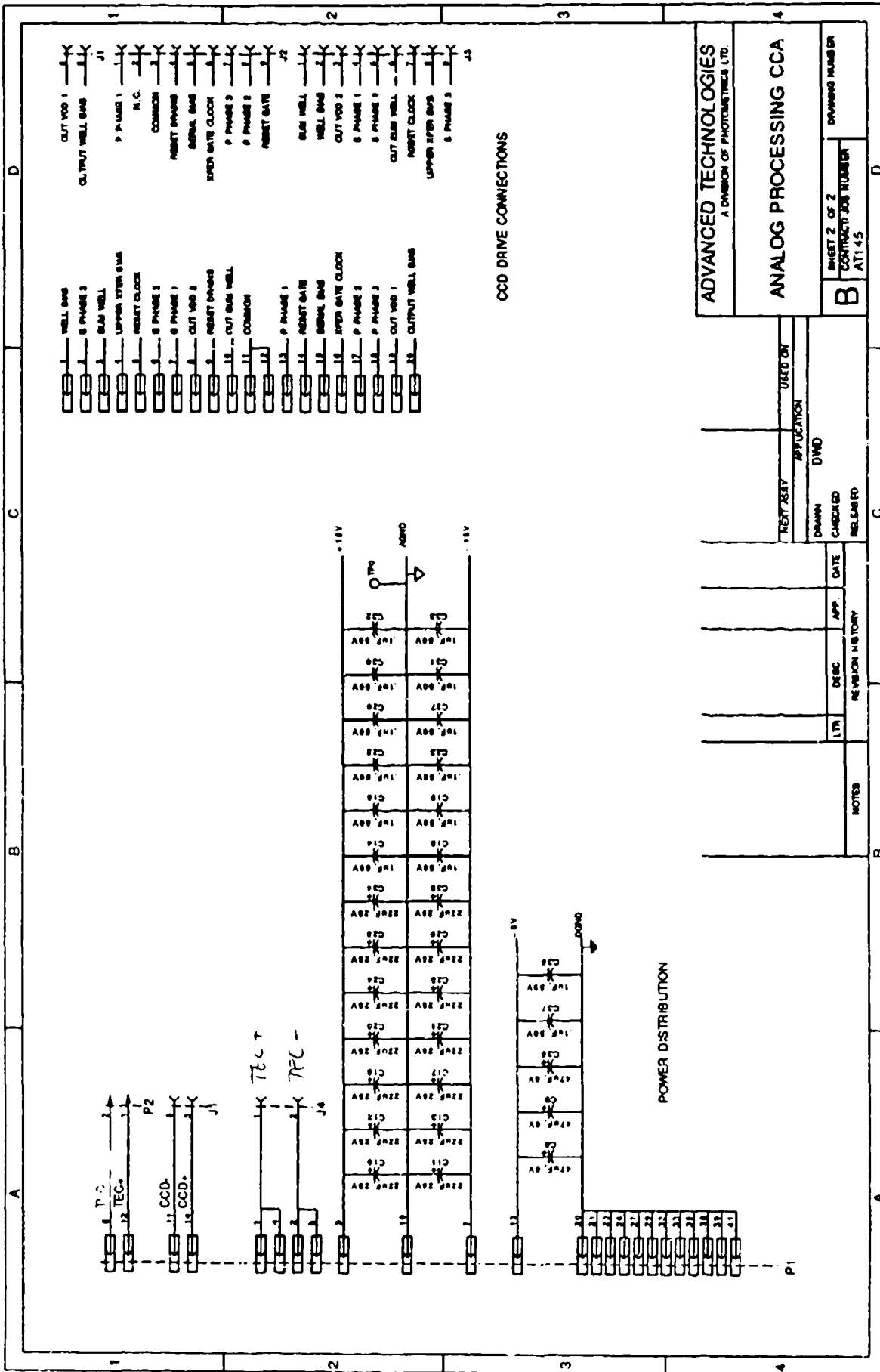


ADVANCED TECHNOLOGIES
 a subsidiary of INTERNATIONAL LTD.
KEO
 ANALOG PROCESSING CCA

DESIGNED BY	DATE OF
DRAWN	DWG
CHECKED	
RELEASED	

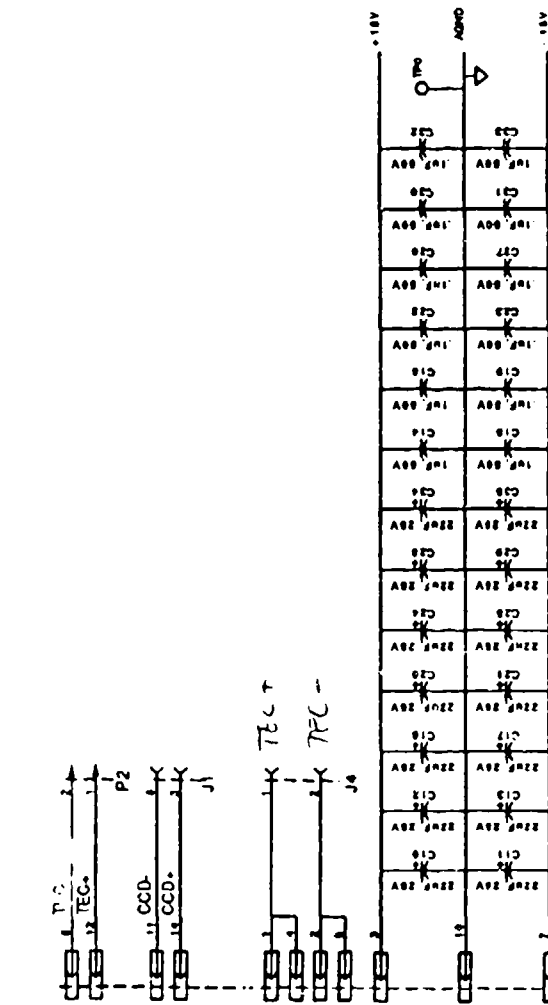
REV.	DATE	BY	REASON

sheet 1 of 2
 72000007200 10/19/84
 ATY:LS
B



A B C D

- WELL BUS
- S PHASE 3
- BLU WELL
- UPPER XFER BUS
- RESET CLOCK
- S PHASE 2
- S PHASE 1
- CUT VDD 2
- RESET PHASE 3
- CUT BUS WELL
- COMMON
- S PHASE 1
- RESET GATE
- RESET BUS
- XFER GATE CLOCK
- S PHASE 3
- S PHASE 2
- CUT VDD 1
- OUTPUT WELL BUS



CCD DRIVE CONNECTIONS

POWER DISTRIBUTION

ADVANCED TECHNOLOGIES
A DIVISION OF PHOTOMETRICS LTD.

ANALOG PROCESSING CCA

SHEET 2 OF 2
CONTRACT JOB NUMBER
ATT:45

DRAWING NUMBER

REVISION HISTORY

DATE

APP.

DESC.

LTR.

CHECKED

RELEASED

DRAWN

APPLICATION

USED ON

DVD

REVISION HISTORY

NOTES

DATE

APP.

DESC.

LTR.

CHECKED

RELEASED

DRAWN

APPLICATION

USED ON

DVD

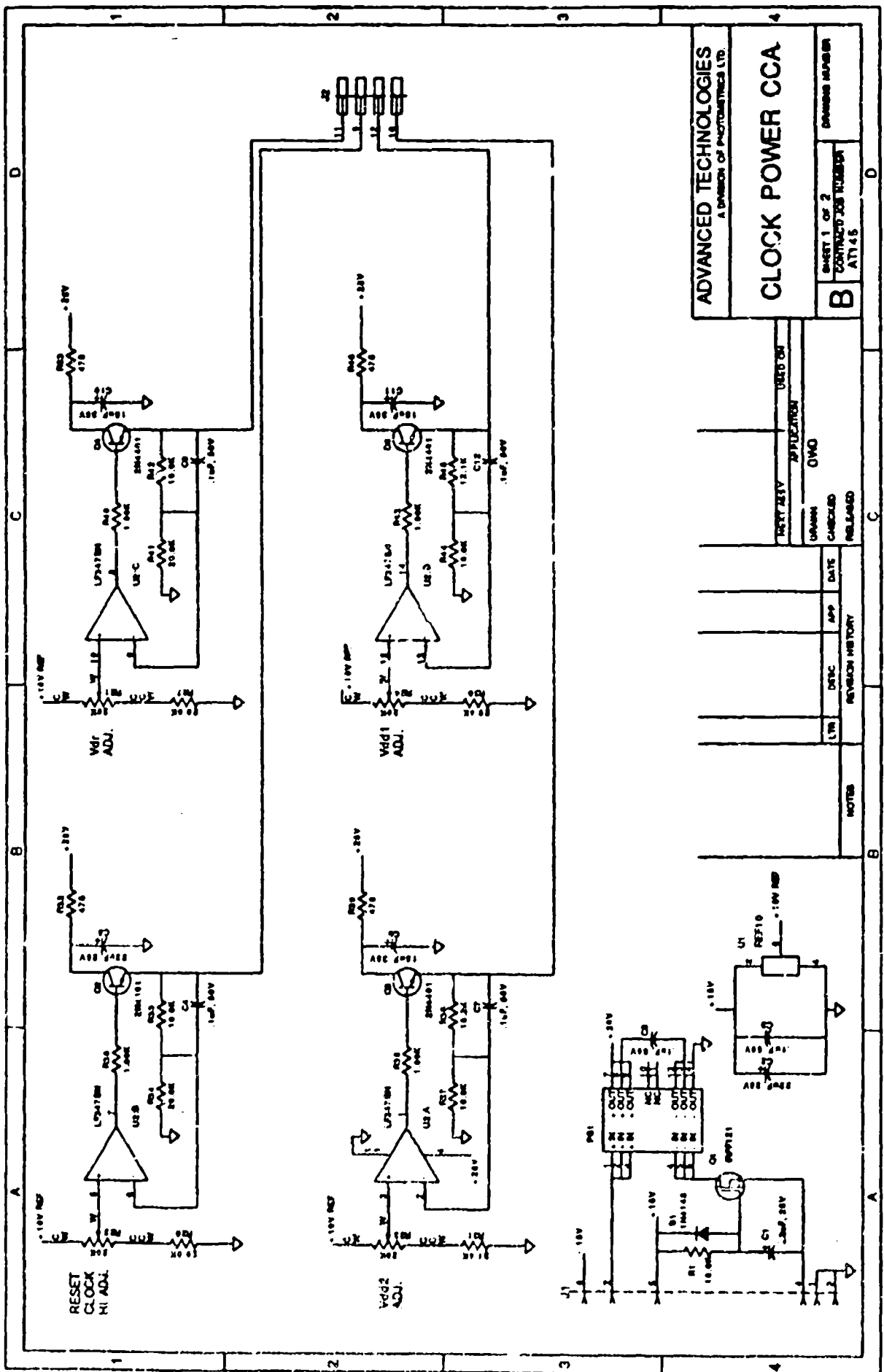
REVISION HISTORY

DATE

APP.

DESC.

LTR.



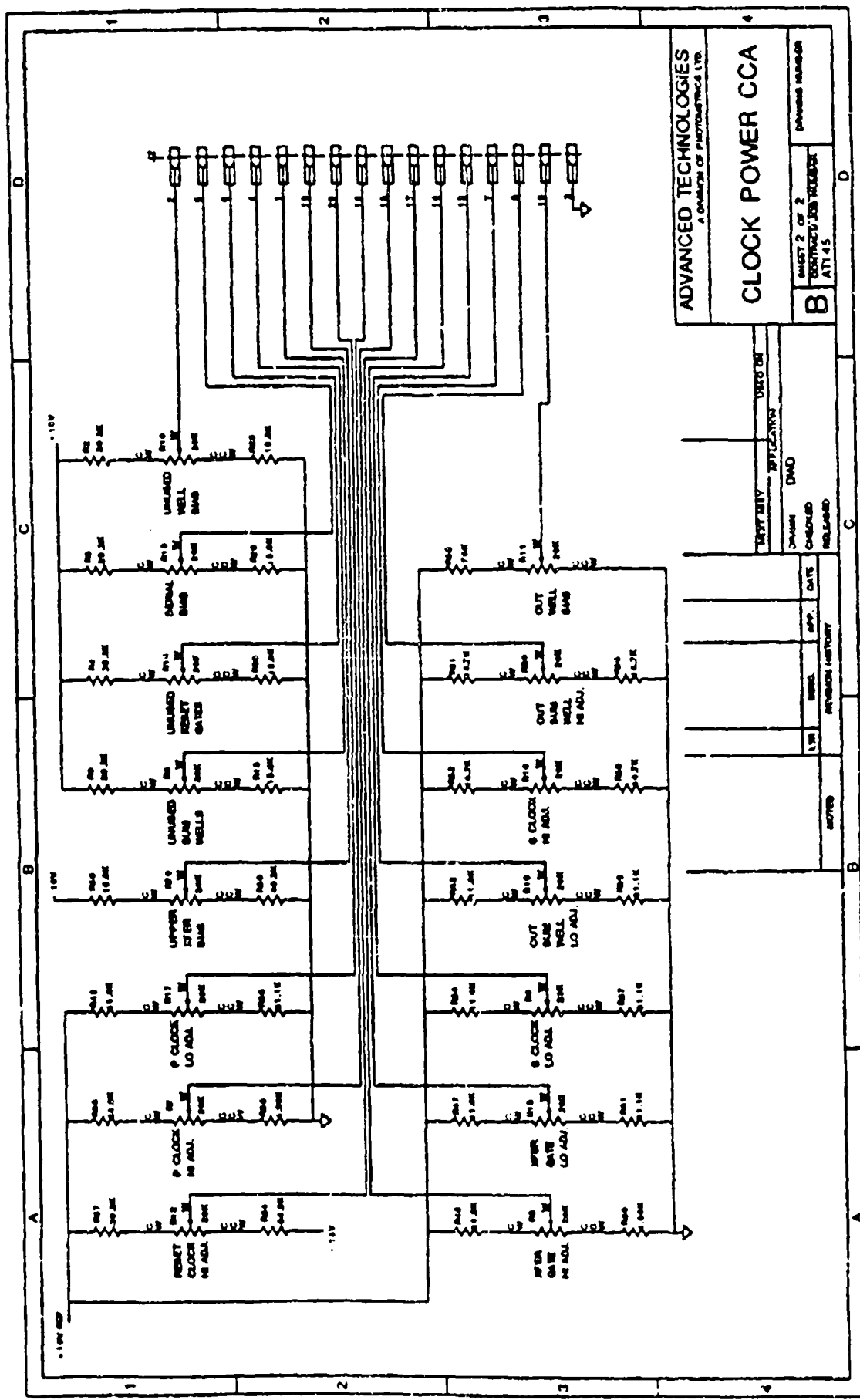
ADVANCED TECHNOLOGIES
A DIVISION OF PHOTOLOGICAL LTD.

CLOCK POWER CCA

SHEET 1 OF 2	DATE	DESIGNED BY	DRAWN	APPROVED	CHECKED	RELEASED	CONTRACT JOB NUMBER ATT 4.5	DESIGN NUMBER

REV.	REVISION HISTORY	DATE

NOTES			



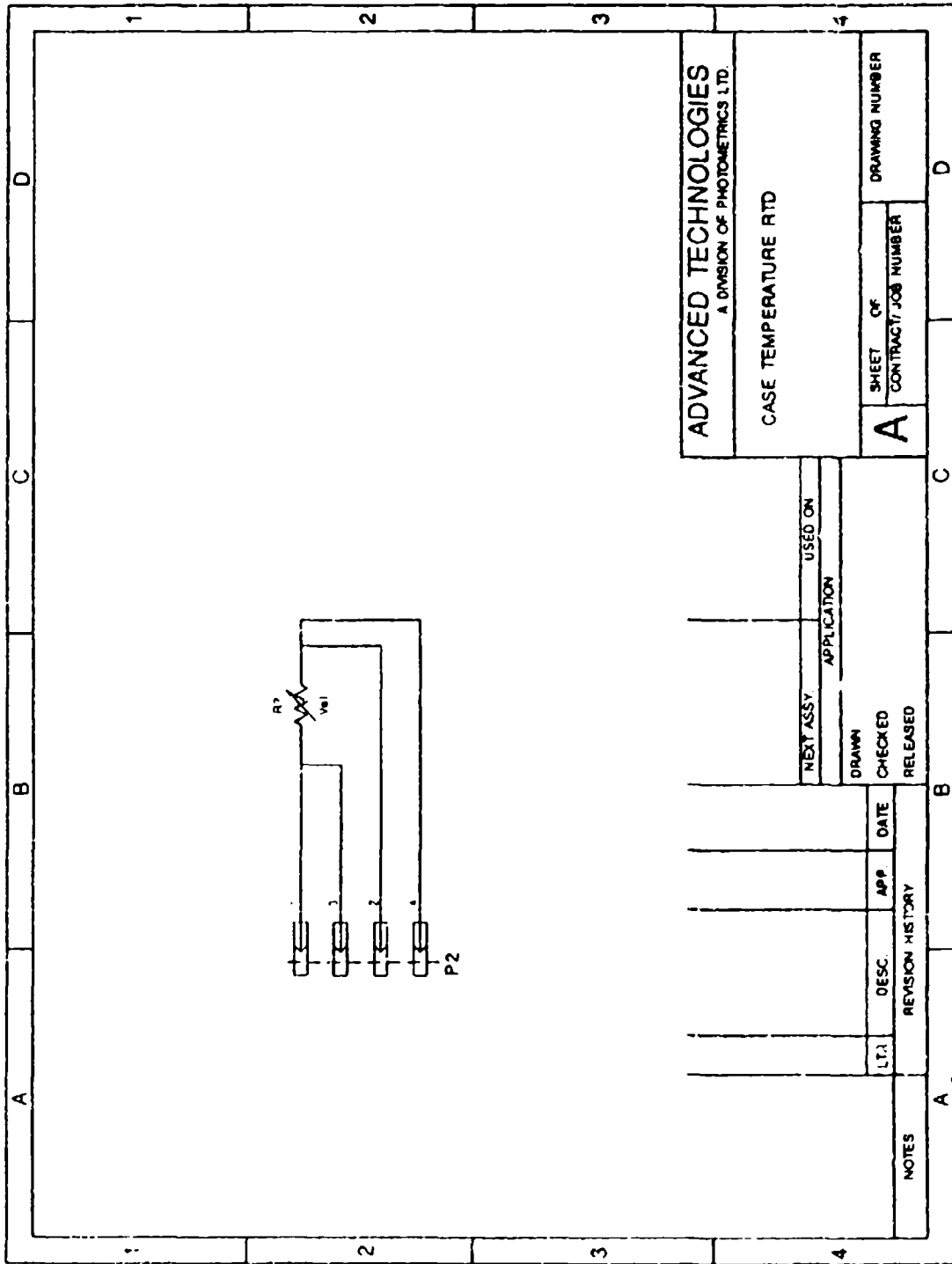
ADVANCED TECHNOLOGIES
A DIVISION OF PHOTONICS LTD.

CLOCK POWER CCA

SHEET 2 OF 2
CONNECTION JOB NUMBER
ATT 45

DESIGN	DMD	DESIGNER	CHECKED	DATE	APP.	DATE

REV	REVISION HISTORY	NOTES



ADVANCED TECHNOLOGIES
A DIVISION OF PHOTOMETRICS LTD.

CASE TEMPERATURE RTD

DRAWING NUMBER

SHEET OF
CONTRACT/JOB NUMBER

A

USED ON

APPLICATION

NEXT ASSY.

DRAWN

CHECKED

RELEASED

DATE

DATE

APP

DATE

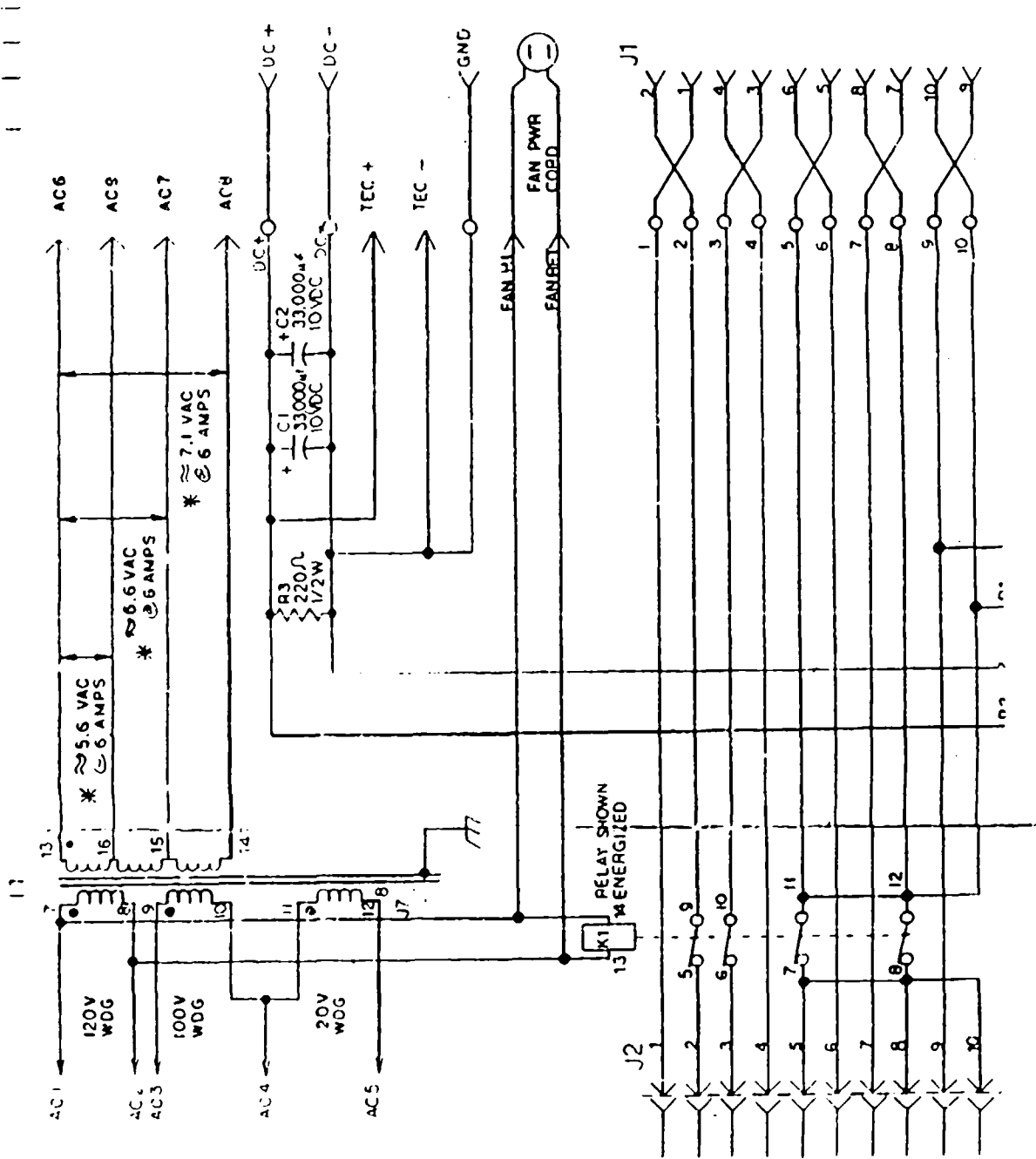
DESC.

DATE

LT.1

DATE

NOTES

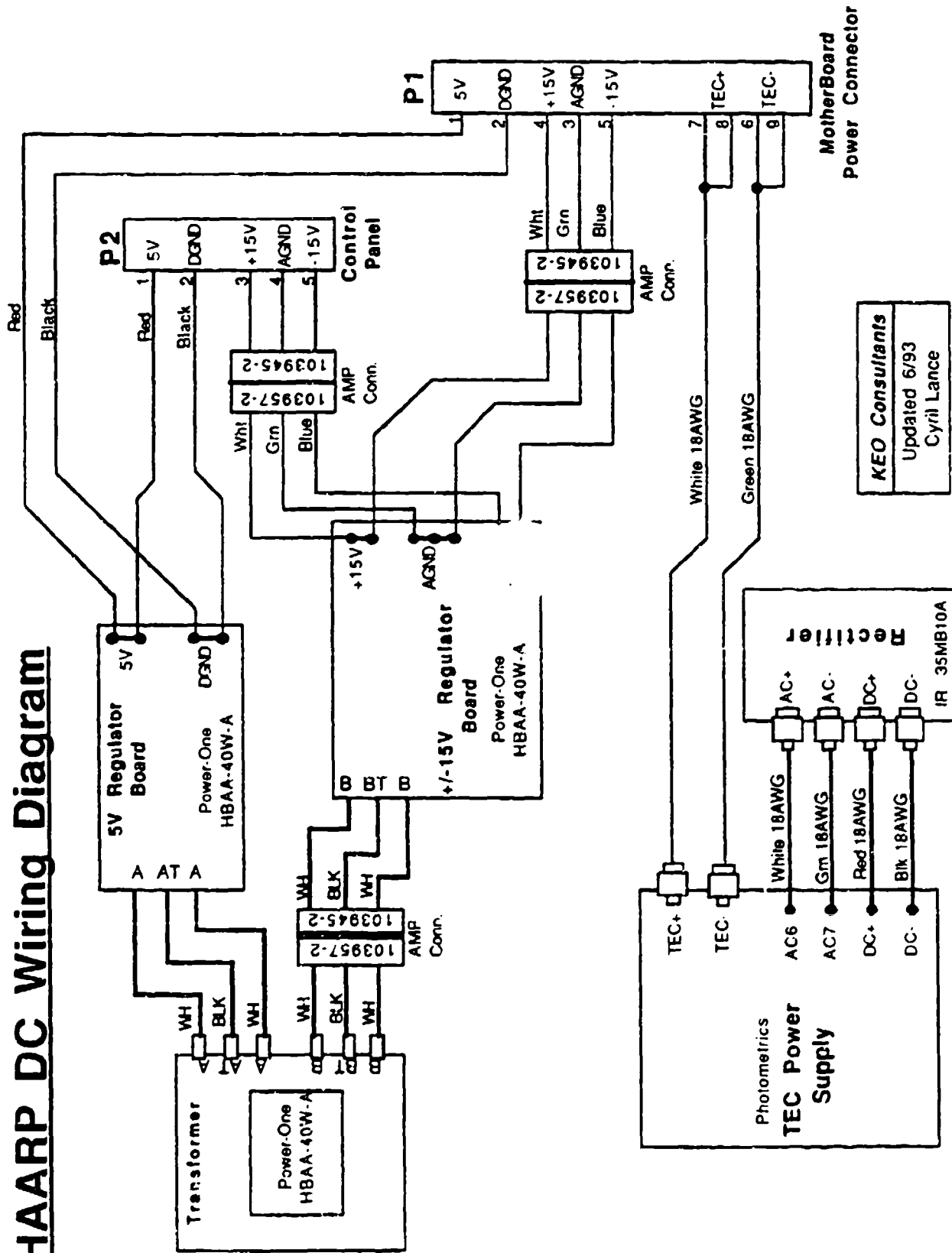


Photometrics Unregulated TEC Supply

Chapter 11 Cabling and Internal Wiring

11.1	AC Power Wiring	293
11.2	DC Power Wiring	294
11.3	External Signal Cable Diagram	295
11.4	External Cable Pinout Documentation	296
11.5	Internal Rear Panel Signal Cable	297
11.6	CCD Head Ext. Cable to Signal CCA	299
11.7	CCD Head Internal Cabling	301
11.8	Shutter Connectors	303
11.9	Shutter Cable Diagram	304
11.10	Image Intensifier and TEC Power Cable	305
11.11	Filter Wheel and Stepper Motor	306
11.12	Filter Wheel and Temp. Control Cables	307
11.13	Removing the Image Intensifier	308

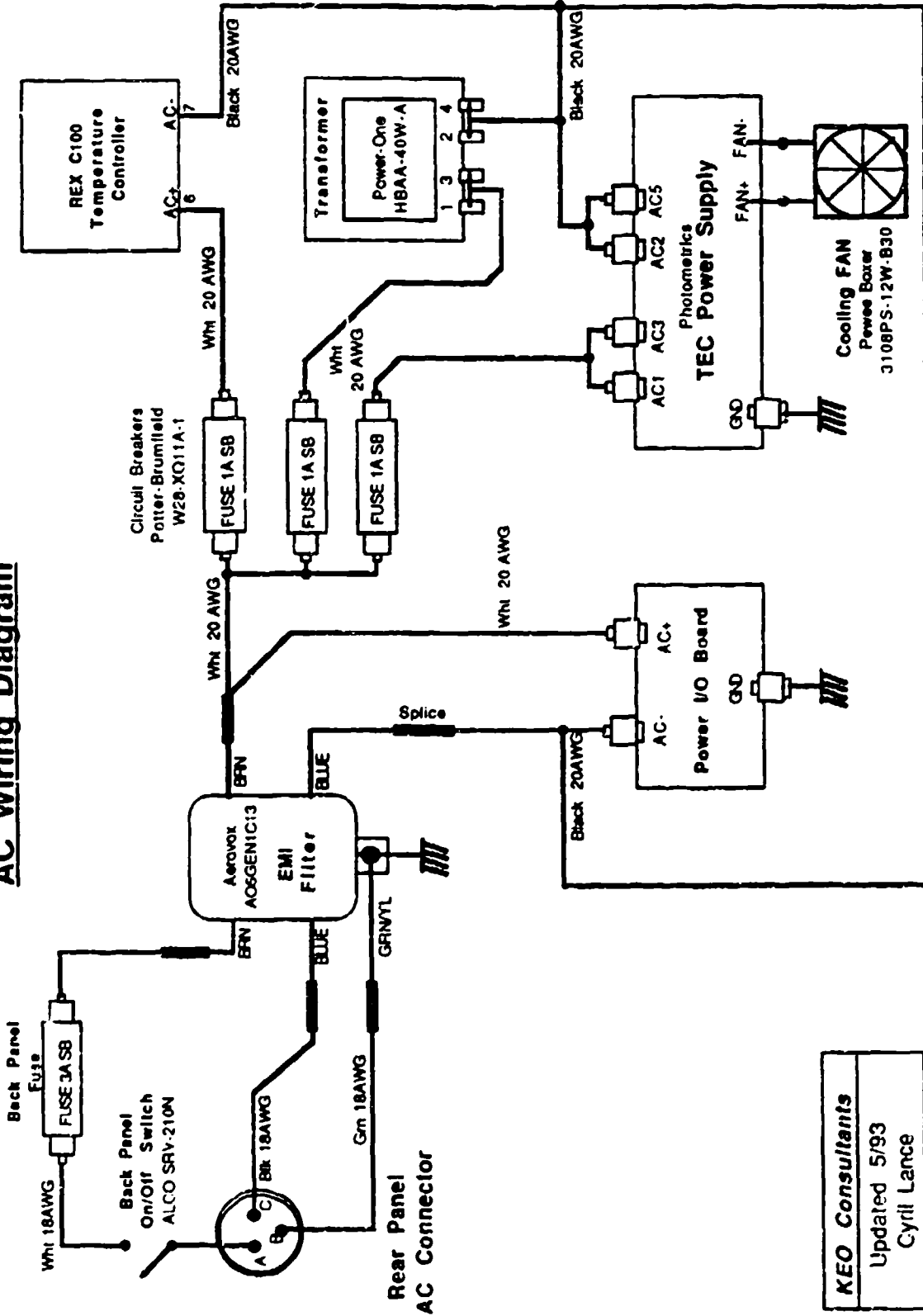
HAARP DC Wiring Diagram



KEO Consultants
Updated 6/93
Cyril Lance

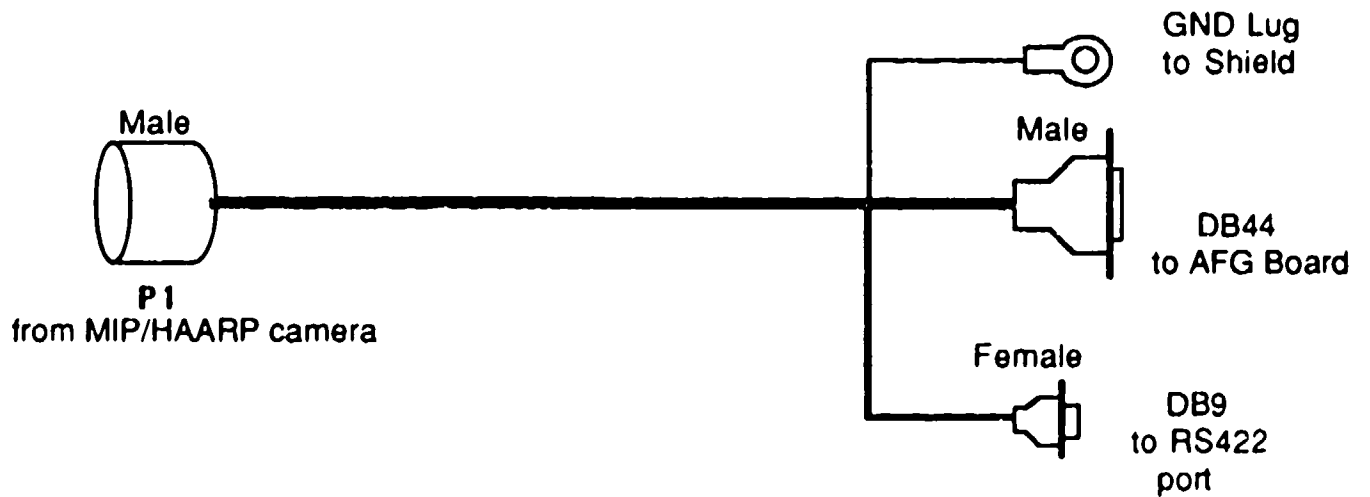
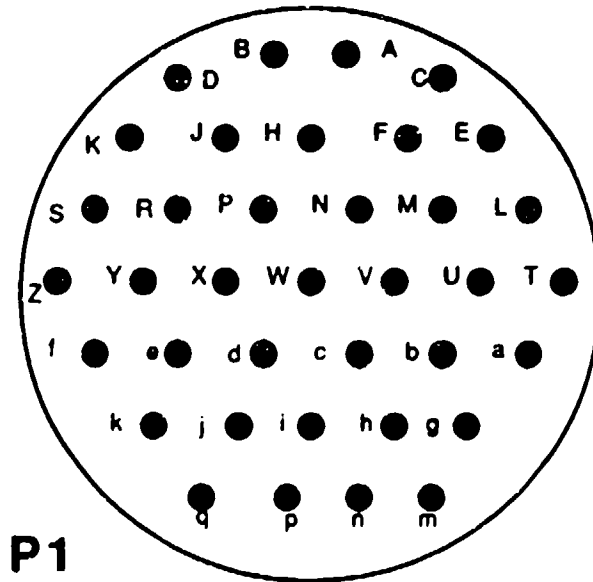
HAARP Imager

AC Wiring Diagram



KEO Consultants
Updated 5/93
Cyril Lance

MIP/HAARP to IEM PC Cable Layout



KEO Consultants

HAARP External Cable Pinout Documentation

Signal Name	From:	Pin#:	To:	Pin#:	Wire pair
DP0+	DB44	13	HAARP.P1	A	green
DP0-	DB44	10	HAARP.P1	B	red
DP1+	DB44	32	HAARP.P1	C	white
DP1-	DB44	31	HAARP.P1	D	red
DP2+	DB44	34	HAARP.P1	E	blue
DP2-	DB44	33	HAARP.P1	F	red
DP3+	DB44	36	HAARP.P1	H	orange
DP3-	DB44	35	HAARP.P1	J	black
DP4+	DB44	38	HAARP.P1	K	brown
DP4-	DB44	37	HAARP.P1	L	black
DP5+	DB44	40	HAARP.P1	M	yellow
DP5-	DB44	39	HAARP.P1	N	red
DP6+	DB44	42	HAARP.P1	P	white
DP6-	DB44	41	HAARP.P1	R	black
DP7+	DB44	7	HAARP.P1	S	red
DP7-	DB44	5	HAARP.P1	T	black
DP8+	DB44	43	HAARP.P1	U	green
DP8-	DB44	9	HAARP.P1	V	black
DP9+	DB44	30	HAARP.P1	W	blue
DP9-	DB44	27	HAARP.P1	X	black
DP10+	DB44	29	HAARP.P1	Y	green
DP10-	DB44	28	HAARP.P1	Z	orange
DP11+	DB44	15	HAARP.P1	a	brown
DP11-	DB44	19	HAARP.P1	b	red
FEN+	DB44	22	HAARP.P1	c	green
FEN-	DB44	12	HAARP.P1	d	blue
LEN+	DB44	23	HAARP.P1	e	green
LEN-	DB44	14	HAARP.P1	f	brown
VSCLK+	DB44	21	HAARP.P1	g	orange
VSCLK-	DB44	11	HAARP.P1	h	red
GND	DB44	1	HAARP.P1	k	white
GND	DB44	44	HAARP.P1	j	blue
RCV+	DB9	9	HAARP.P1	m	green
RCV-	DB9	1	HAARP.P1	n	white
TRN+	DB9	2	HAARP.P1	p	green
TRN-	DB9	3	HAARP.P1	q	yellow
Note: DB9 setup for RS422 boards using the B&B Electronics 232CICC pinouts					

MIP/HAARP Cabling Documentation
KEO Consultants

**Internal Cable: Rear Panel of Instrument to
Interface controller cards**

Name	Interface Brd.	Rear Panel conn.	color (&pair)
D0+	31	A	Grn (red)
D0-	32	B	Red (grn)
D1+	36	C	Wht (red)
D1-	35	D	Red (wht)
D2+	24	E	Blue (red)
D2-	23	F	Red (Blue)
D3+	28	H	Org (Blk)
D3-	27	J	Blk (Org)
D4+	14	K	Brn (Blk)
D4-	13	L	Blk (Brn)
D5+	18	M	Yllw (Red)
D5-	17	N	Red (Yllw)
D6+	11	P	Wht (Blk)
D6-	12	R	Blk (Wht)
D7+	16	S	Red (Blk)
D7-	15	T	Blk (Red)
D8+	5	U	Grn (Blk)
D8-	6	V	Blk (Grn)
D9+	9	W	Blue (Blk)
D9-	10	X	Blk (Blue)
D10+	4	Y	Grn (Org)
D10-	3	Z	Org (Grn)
D11+	8	a	Brn (Red)
D11-	7	b	Red (Brn)
PIXEL CLK+	25	g	Org (Red)
PIXEL CLK-	26	h	Red (Org)
EOL CLK+	34	e	Grn (Brn)
EOL CLK-	33	f	Brn (Grn)
EOF CLK+	38	c	Grn (Blue)
EOF CLK-	37	d	Blue (Grn)
GND	1	k	Wht (Blue)
GND	2	j	Blue (Wht)

<u>Name</u>	<u>DSP Cntrl Brd.</u>	<u>Rear Panel conn.</u>	<u>color (&pair)</u>
OA(+)/RTX(+)	1	m	Grn (Wht)
OA(-)/RTX(-)	2	n	Wht (Gm)
IB(+)/TDX(+)	3	p	Grn (Yllw)
IB(-)/TDX(-)	4	q	Yllw (Gm)
RESET	5	SW(+)	Yllw (Blk)
GND	10	SW(-)	Blk (Yllw)

Connectors:

Rear Panel:

MIP/HAARP Computer Interface Cable: 37 PIN Circular 67 Series Amphenol

Internal 4"x6" boards:

Adv. Tech Signal Board: AMP Mod IV 44 Pin Double Row .1"

Adv. Tech DSP Cntrl Board: AMP Mod IV 10 Pin Double Row .1"

Signal CCA to Camera Head Cable for HAARP

CCD Head	Measured	Signal CCA	Color	Wire Gage
63 PIN Circ.	signal	P2 -24 Pin IDC		
		P3- 40 Pin IDC		
P1-1	AD11	P3-34	GREEN/PURPLE	28 AWG
P1-2	DGND	P2-19	PURPLE/GREEN	28 AWG
P1-3	AD10	P3-20	BROWN/PURPLE	28 AWG
P1-4	GND	P2-19	PURPLE/BROWN	28 AWG
P1-5	AD09	P3-36	BLACK/GREEN	28 AWG
P1-6	DGND	P2-20	GREEN/BLACK	28 AWG
P1-7	AD08	P3-32	WHITE/BROWN	28 AWG
P1-8	DGND	P2-20	BROWN/WHITE	28 AWG
P1-9	AD07	P3-30	YELLOW/GRAY	28 AWG
P1-10	DGND	P2-21	GRAY/YELLOW	28 AWG
P1-11	CCDTEMP	P3-6	PURPLE	24 AWG
P1-12	AD06	P3-18	YELLOW/BROWN	28 AWG
P1-13	DGND	P2-21	BROWN/YELLOW	28 AWG
P1-14	AD05	P3-40	BLUE/WHITE	28 AWG
P1-15	DGND	P2-22	WHITE/BLUE	28 AWG
P1-16	AD04	P3-38	RED/BROWN	28 AWG
P1-17	DGND	P2-22	BROWN/RED	28 AWG
P1-18	AD03	P3-24	YELLOW/ORANGE	28 AWG
P1-19	DGND	P2-23	ORANGE/YELLOW	28 AWG
P1-20	AD02	P3-22	RED/GRAY	28 AWG
P1-21	DGND	P2-23	GRAY/RED	28 AWG
P1-22	AD01	P3-28	GREEN/WHITE	28 AWG
P1-23	DGND	P2-24	WHITE/GREEN	28 AWG
P1-24	AD00	P3-26	WHITE/GRAY	28 AWG
P1-25	DGND	P2-24	GRAY/WHITE	28 AWG
P1-26	DCR	P3-37	GRAY/PURPLE	28 AWG
P1-27	GAINSEL1	P3-7	PURPLE/GRAY	28 AWG
P1-28	ADS	P3-35	ORANGE/PURPLE	28 AWG
P1-29	GAINSEL2	P3-8	PURPLE/ORANGE	28 AWG
P1-30	TEC+	P2-1/P2-2	PURPLE/YELLOW	24 AWG
P1-31	TEC-	P2-3/P2-4	BROWN/BLUE	24 AWG
P1-32	CCDRTD-	P3-4	RED	24 AWG
P1-33	CCDRTD+	P3-2	GREEN	24 AWG
P1-34	TECRTD-	P3-3	BLUE	24 AWG
P1-35	TECRTD+	P3-1	WHITE/BLACK	24 AWG
P1-36	TECTEMP	P3-5	GRAY	24 AWG
P1-37	(+)15V	P2-5	WHITE	24 AWG
P1-38	(-)15V	P2-7	YELLOW	24 AWG
P1-39	AGND	P2-10	ORANGE	24 AWG
P1-40	(+)5V	P2-13	VIOLET	24 AWG
P1-41	RESET	P3-39	BLACK/GRAY	28 AWG
P1-42	DGND	P2-17	GRAY/BLACK	28 AWG
P1-43	SCLK1-	P3-9	BROWN/BLACK	28 AWG
P1-44	SCLK1+	P3-10	BLACK/BROWN	28 AWG
P1-45	SCLK2+	P3-12	RED/BLUE	28 AWG
P1-46	SCLK2-	P3-11	BLUE/RED	28 AWG
P1-47	SUMWELL-	P3-15	RED/GREEN	28 AWG

Signal CCA to Camera Head Cable for HAARP

P1-48	SUMWELL+	P3-16	GREEN/RED	28 AWG
P1-49	SCLK3-	P3-13	BLACK/BLUE	28 AWG
P1-50	SCLK3+	P3-14	BLUE/BLACK	28 AWG
P1-51	PCLK1+	P3-21	ORANGE/WHITE	28 AWG
P1-52	PCLK1-	P3-19	WHITE/ORANGE	28 AWG
P1-53	PCLK3+	P3-29	RED/ORANGE	28 AWG
P1-54	PCLK3-	P3-27	ORANGE/RED	28 AWG
P1-55	TGATE+	P3-33	BLUE/YELLOW	28 AWG
P1-56	TGATE-	P3-31	YELLOW/BLUE	28 AWG
P1-57	PCLK2+	P3-25	YELLOW/GREEN	28 AWG
P1-58	PCLK2-	P3-23	GREEN/YELLOW	28 AWG
P1-59	DGND	P2-18	GRAY	24 AWG
P1-60	(+)5V	P2-14	BLUE	24 AWG
P1-61	(+)15V	P2-6	WHITE/RED	24 AWG
P1-62	(-)15V	P2-8	BROWN	24 AWG
P1-63	AGND	P2-12	WHITE	24 AWG

CCD Head Internal Cabling for HAARP

	INTERNAL	CAMERA	CABLE	(CCD Head)
CCD Head	Name	Internal CCA's	Color	Wire Gage
63 PIN Circ.		J3 - Analog CCA		
		J2 - Driver CCA		
J1-1	DAT01	J3-40	ORANGE/YELLOW	28 AWG
J1-2	DGND	J3-41	YELLOW/ORANGE	28 AWG
J1-3	DAT02	J3-37	BLACK/BLUE	28 AWG
J1-4	DGND	J3-38	BLUE/BLACK	28 AWG
J1-5	DAT03	J3-36	ORANGE/BLACK	28 AWG
J1-6	DGND	J3-39	BLACK/ORANGE	28 AWG
J1-7	DAT04	J3-34	RED/BROWN	28 AWG
J1-8	DGND	J3-35	BROWN/RED	28 AWG
J1-9	DAT05	J3-31	WHITE/GREY	28 AWG
J1-10	DGND	J3-32	GREY/WHITE	28 AWG
J1-11	CCDTEMP	J3-6	ORANGE/RED	24 AWG
J1-12	DAT06	J3-30	GREEN/BLACK	28 AWG
J1-13	DGND	J3-32	BLACK/GREEN	28 AWG
J1-14	DAT07	J3-28	RED/ORANGE	28 AWG
J1-15	DGND	J3-29	ORANGE/RED	28 AWG
J1-16	DAT08	J3-25	PURPLE/BLUE	28 AWG
J1-17	DGND	J3-26	BLUE/PURPLE	28 AWG
J1-18	DAT09	J3-24	RED/BLUE	28 AWG
J1-19	DGND	J3-27	BLUE/RED	28 AWG
J1-20	DAT10	J3-22	BLACK/GREY	28 AWG
J1-21	DGND	J3-23	GREY/BLACK	28 AWG
J1-22	DAT11	J3-19	BLUE/WHITE	28 AWG
J1-23	DGND	J3-20	WHITE/BLUE	28 AWG
J1-24	DAT12	J3-18	BLACK/BROWN	28 AWG
J1-25	DGND	J3-21	BROWN/BLACK	28 AWG
J1-26	DCR	J3-16	BROWN/PURPLE	28 AWG
J1-27	GAINSEL2	J3-17	PURPLE/BROWN	28 AWG
J1-28	ADS	J3-42	PURPLE/GREEN	28 AWG
J1-29	GAINSEL2	J3-15	GREEN/PURPLE	28 AWG
J1-30	TEC-	J3-1/J3-4	BROWN/YELLOW	28 AWG
J1-31	TEC-	J3-2/J3-5	BLUE/PURPLE	28 AWG
J1-32	CCDRD-	J3-11	BROWN/WHITE	24 AWG
J1-33	CCDRD+	J3-14	WHITE/BROWN	24 AWG
J1-34	TECRTD-	J3-8	YELLOW/GRAY	24 AWG
J1-35	TECRTD+	J3-12	GRAY/YELLOW	24 AWG
J1-36	TECTEMP	J3-9	GREY/PURPLE	24 AWG
J1-37	(+)15V	J3-3	ORANGE	24 AWG
J1-38	(-)15V	J3-7	PURPLE	24 AWG
J1-39	AGND	J3-10	GREEN	24 AWG
J1-40	(+)5V	J3-13	BROWN	24 AWG
				24 AWG
J1-41	RESET	J2-1	BLACK/GRAY	28 AWG
J1-42	DGND	J2-2	GRAY/BLACK	28 AWG
J1-43	SCLK1-	J2-3	GRAY/YELLOW	28 AWG
J1-44	SCLK1+	J2-4	YELLOW/GRAY	28 AWG

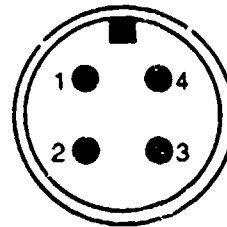
CCD Head Internal Cabling for HAARP

J1-45	SCLK2+	J2-5	GREEN/RED	28 AWG
J1-46	SCLK2-	J2-6	RED/GREEN	28 AWG
J1-47	SUMWELL-	J2-7	WHITE/ORANGE	28 AWG
J1-48	SUMWELL+	J2-8	ORANGE/WHITE	28 AWG
J1-49	SCLK3-	J2-9	BROWN/YELLOW	28 AWG
J1-50	SCLK3+	J2-10	YELLOW/BROWN	28 AWG
J1-51	PCLK1+	J2-11	WHITE/BROWN	28 AWG
J1-52	PCLK1-	J2-12	BROWN/WHITE	28 AWG
J1-53	PCLK3+	J2-13	BLUE/WHITE	28 AWG
J1-54	PCLK3-	J2-14	WHITE/BLUE	28 AWG
J1-55	TGATE+	J2-15	RED/GRAY	28 AWG
J1-56	TGATE-	J2-16	GRAY/RED	28 AWG
J1-57	PCLK2+	J2-17	GREEN/YELLOW	28 AWG
J1-58	PCLK2-	J2-18	YELLOW/GREEN	28 AWG
J1-59	DGND	J2-24	GREEN	24 AWG
J1-60	(+)5V	J2-23	ORANGE	24 AWG
J1-61	(+)15V	J2-20	YELLOW	24 AWG
J1-62	(-)15V	J2-22	BLUE	24 AWG
J1-63	AGND	J2-21	BROWN	24 AWG

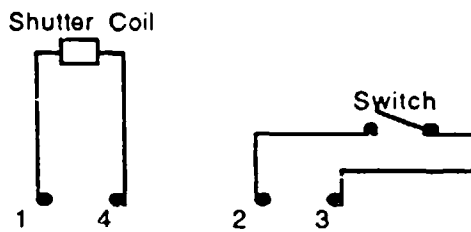
HAARP Shutter Connector Diagram

P1 - Power Conn.

Shutter(+)	Pin 4	Red
Shutter(-)	Pin 1	Black
Switch(+)	Pin 2	Green
Switch(-)	Pin 3	Yellow

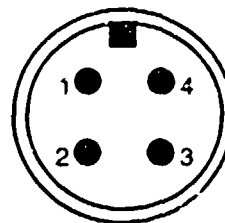


Looking at Socket
LEMO FGG-1B (0.9)

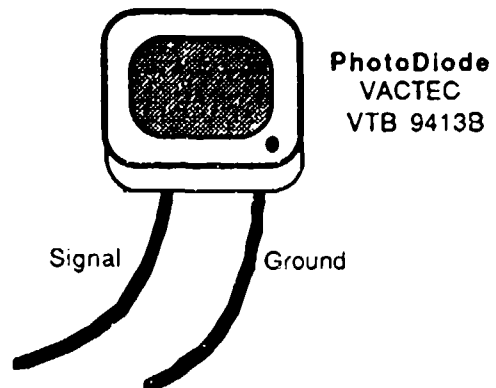
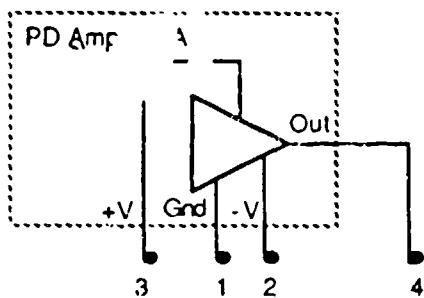


P2 - PhotoDiode Amplifier (Back Shutter Only)

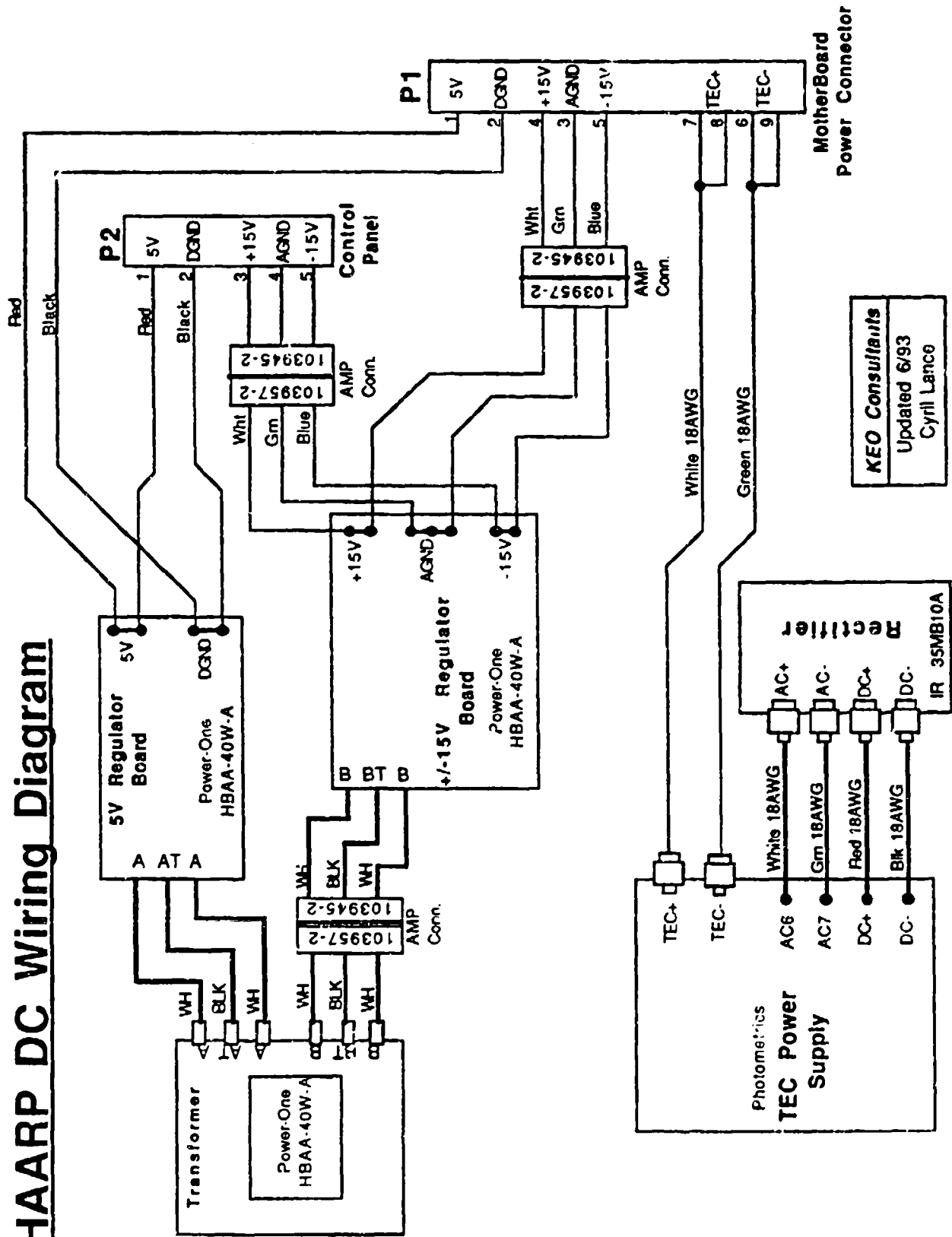
PhotoDiode(+)	Pin 4	Red
Analog Gnd	Pin 1	Black
+15V	Pin 3	Yellow
-15V	Pin 2	Green



Looking at Socket
LEMO FHG-0B (0.5)

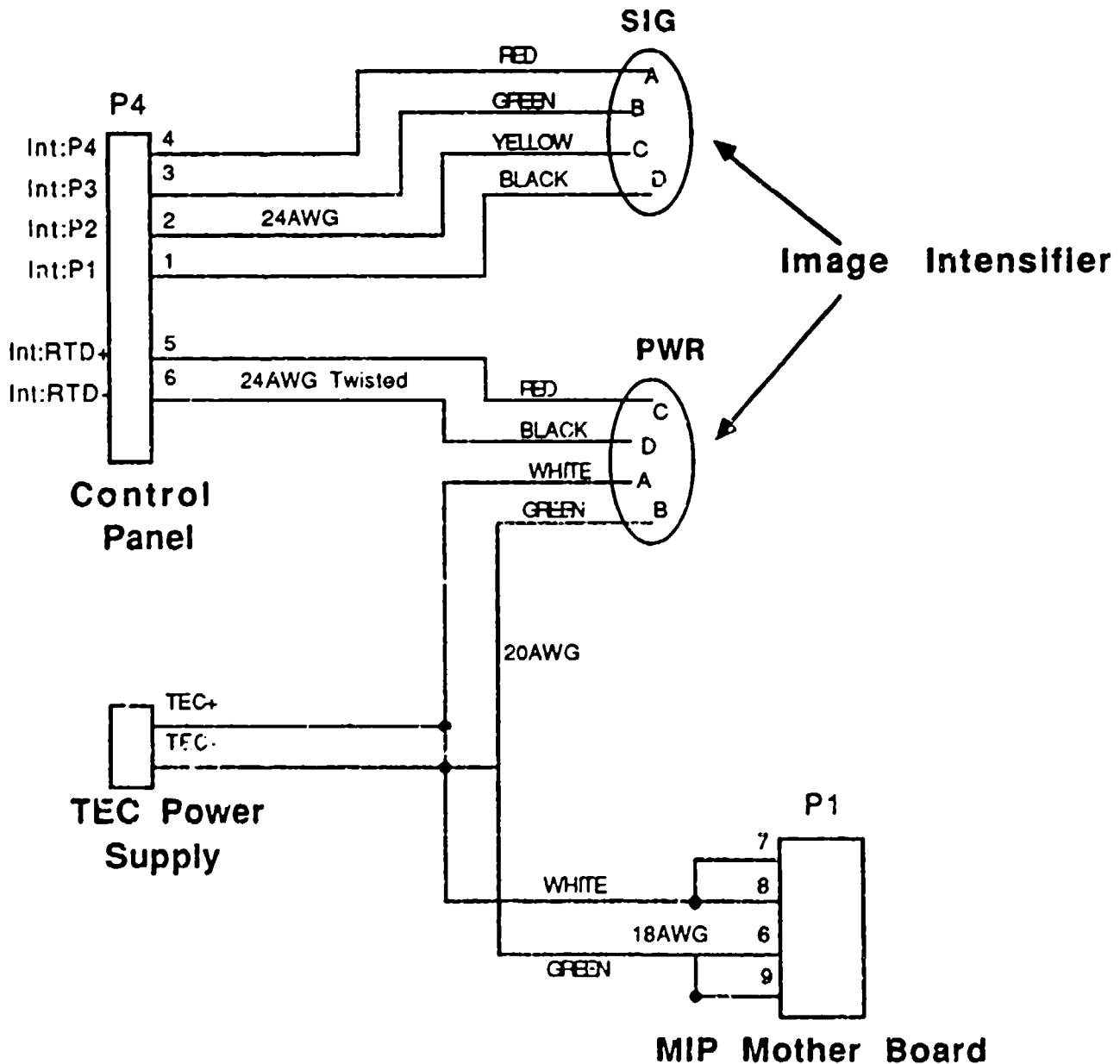


HAARP DC Wiring Diagram



HAARP: Image Intensifier/TEC Power Cable

Products for Research Intensifier Cooler
Model #: TE342RF
S/N: 18517-92

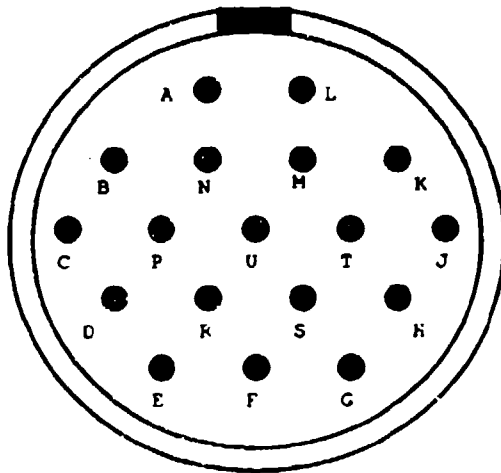


(Note: 4/93 -- Products for Research incorrectly wired the HAARP Intensifier Cooler, so the cabling for the HAARP imager is different than the MIP Imager. This documentation correctly describes the HAARP imager. Unfortunately, the two Intensifier coolers are not directly interchangeable as a result of this mistake.)

MIP and HAARP Filter Wheel Housing

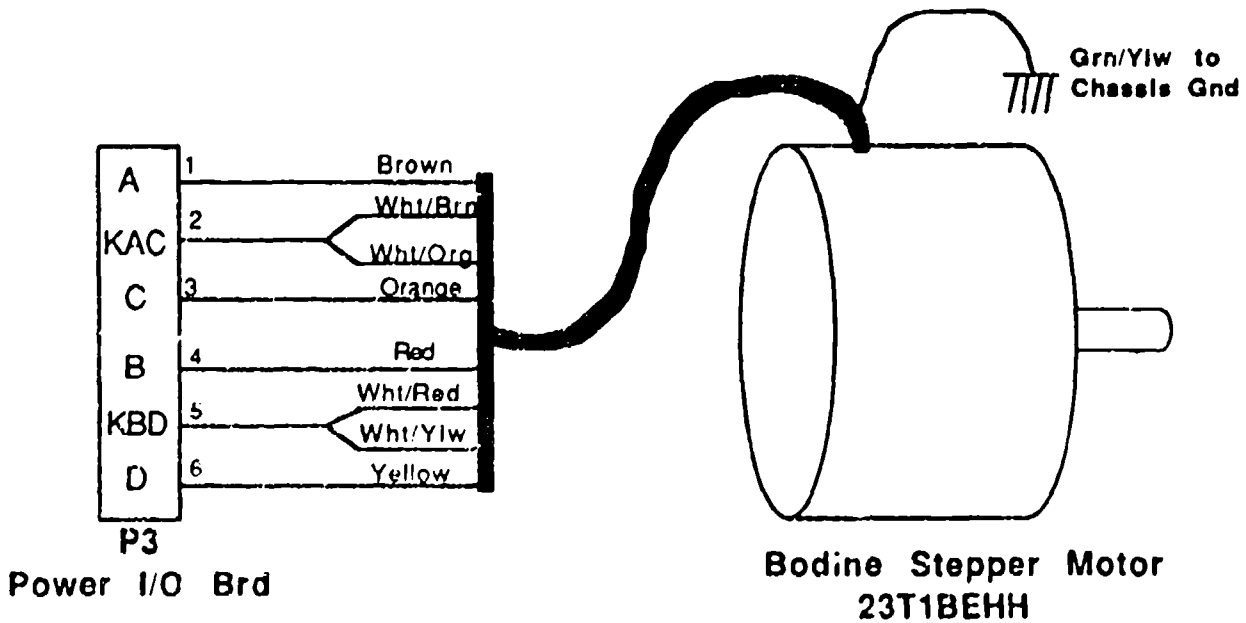
Connector Diagram

AC(+)	G
AC(-)	E
CTL(+)	H
CTL(-)	S
T.RTD(+)	N
T.RTD(-)	B
T.RTD(S)	C
RTD(+)	A
RTD(-)	L
PC(+)	K
PC(-)	M
5V	J
DGND	T
F2	P
F1	D
F0	R
HOME	U



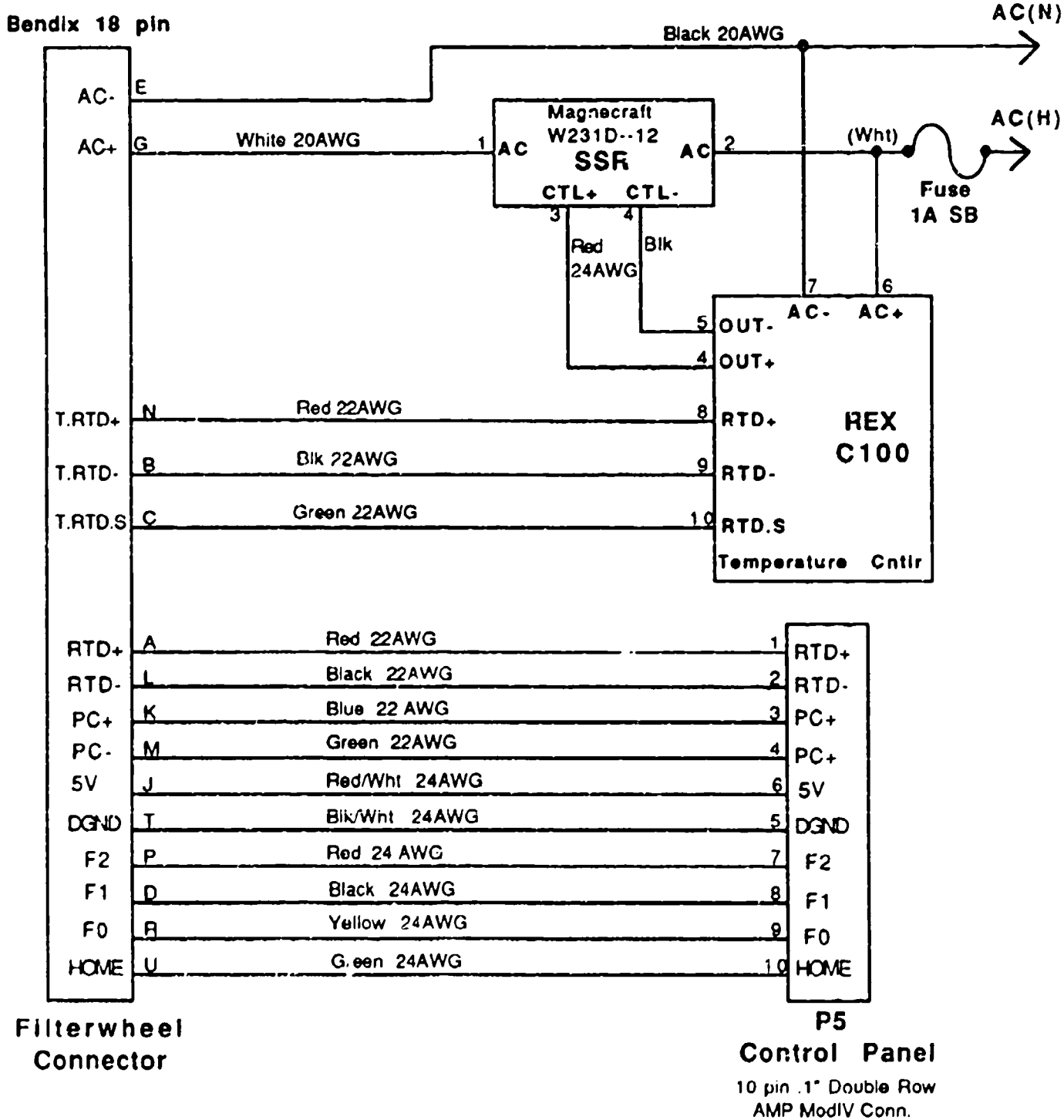
Notes:

- T.RTD connects to REX10 Temperature Controller
- RTD connects to the Amp. to 63HC11
- PC refers to Photoresistive Cell
- CTL refers to SSR control voltage (12V)
- CTL(+) AND CTL(-) [pins H & S] are on the MIP Filterwheel only.



HAARP Imager

Filter Wheel Cabling



Updated 5/93
Cyril Lance

11.13 Removing the Image Intensifier from the HAARP Imager

In the event that you need to remove the image intensifier from the HAARP imager, the following steps must be taken:

Unplug the Power to the HAARP imager FIRST!!!

(i) Unplug the Filter Wheel: Disconnect the filter wheel cable inside the imager chassis (18 pin Bendix Connector), and then gently disconnect the Stepper Motor cable from the Power I/O Board that connects to the filterwheel.

(ii) Remove the Filter Wheel: Unscrew the four 8-32 socket heads at the front of the imager chassis (two per side) that hold the filter wheel to the chassis. Gently pull the filter wheel away from the chassis. The re-imaging tube connecting to the front shutter will come off along with the filter wheel (this is normal).

(iii) Remove the front Shutter: From inside the U-channel, remove the LEMO connector attached to the shutter (in between the Power I/O board (front) and the TEC power supply). Remove the three Phillips head 10-32 screws and slide the shutter assembly forwards off of the Cannon 85mm lens. A close-up lens will remain attached to the Cannon lens as the shutter slides off.

(iv) Remove Camera Head: Remove the four 8-32 socket head screws holding the camera to the camera housing. Disconnect the large, black AMP connector on the base of the camera head and slide the head out the back of the housing.

(v) Remove the back Shutter: From inside the U-channel, remove the two LEMO connectors just forward of the circuit card cage that connect to the shutter. Remove the three Phillips head 10-32 screws and slide the shutter assembly backwards.

(vi) Remove the Intensifier housing: From inside the chassis, remove the six 6-32 socket head screws holding the intensifier housing in. These are centered around the main cooling fan (three to a side) but two of the forward screws are tricky to remove. To make the disassembly easier, loosen the REX C10 Temperature Controller and slide it slightly out of the control panel to gain more access to the two screws underneath it.

Once these screws have been removed, the intensifier housing will pull off the chassis, but there are two internal connectors still attached. Gently pull the housing out as far as you can (around 2") and reach in (you might need pliers) and release the two Bendix connectors to the intensifier housing.

(vii) Remove the back cover/relay lens: Unscrew the eleven 4-40 button head screws for the back cover/relay lens unit, and slide the back assembly off of the rest of the housing. The intensifier will now be sticking out of the housing about 1".

(viii) Slide the Intensifier out of housing: Without rotating the tube, pull the tube out of the housing.

Additional parts to the Intensifier cooler:

Intensifier Mask: A thin Delrin Mask inserts into the curvature lens housing directly between the curvature lens and the image intensifier. To remove this mask, complete steps (i) through (viii) above, and with a needle-nose pliers, gently pull the mask out of the curvature lens housing. It is crucial that you remember the correct orientation of this mask with respect to the housing and the cooling unit. The mask and the curvature lens housing are lightly marked with a pencil.

Curvature Lens: To remove the curvature corrector lens from inside the intensifier housing, complete steps (i) through (viii) above, and then remove the four 2-56 nylon screws holding the curvature lens assembly from inside the intensifier housing. This can only be done once the intensifier has been removed. The curvature lens housing should be removed and re-installed with the same orientation with respect to the intensifier cooler, as this will preserve the alignment settings of the instrument.

Cooler Window: To remove the cooler window, complete steps (i) through (iv) above and set the housing down on the bench. Remove the four 6-32 socket head screws from the front cover holding the intensifier cooling unit from inside the housing cover. The cooling unit will now come out of the housing. Remove the four 4-40 screws from the front of the cooling unit which releases the window retaining plate.