

SANGEAN



User Manual

U3

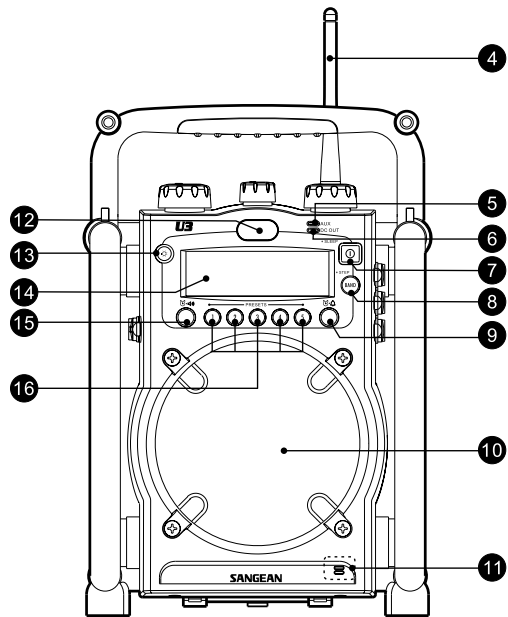
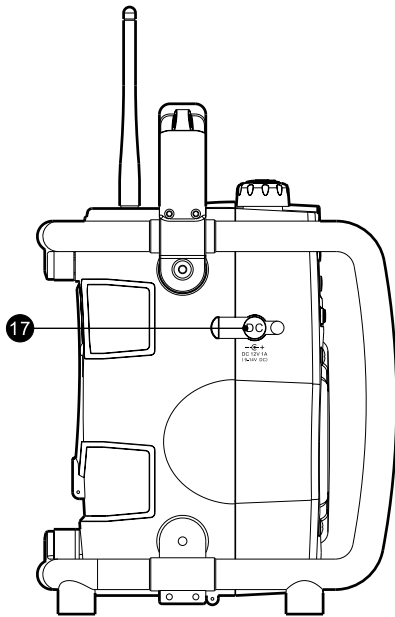
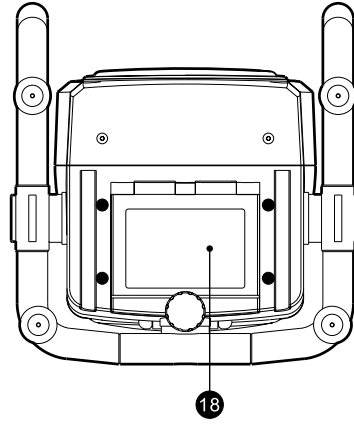
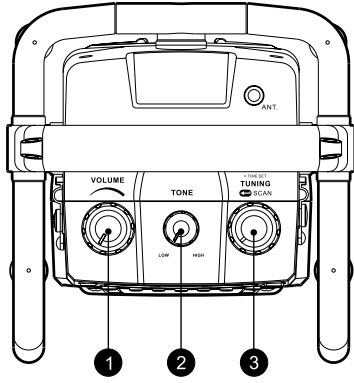


IMPORTANT SAFETY INSTRUCTIONS

1. Read these instructions.
2. Keep these instructions.
3. Heed all warnings.
4. Follow all instructions.
5. Do not use this apparatus near water.
6. Clean only with dry cloth.
7. Do not block any ventilation openings. Install in accordance with the manufacturer's instructions.
8. Do not install near any heat sources such as radiators, heat registers, stoves, or other apparatus (including amplifiers) that produce heat.
9. Do not defeat the safety purpose of the polarized or grounding-type plug. A polarized plug has two blades with one wider than the other. A grounding type plug has two blades and a third grounding prong. The wide blade or the third prong are provided for your safety. If the provided plug does not fit into your outlet. consult an electrician for replacement of the obsolete outlet.

- 
- 
10. Protect the power cord from being walked on or pinched particularly at plugs, convenience receptacles, and the point where they exit from the apparatus.
 11. Only use attachments/accessories specified by the manufacturer.
 12. Use only with the cart, stand, tripod, bracket, or table specified by the manufacturer, or sold with the apparatus. When a cart is used, use caution when moving the cart/apparatus combination to avoid injury from tip-over.
 13. Unplug this apparatus during lightning storms or when unused for long periods of time.
 14. Refer all servicing to qualified service personnel. Servicing is required when the apparatus has been damaged in any way, such as power-supply cord or plug is damaged, liquid has been spilled or objects have fallen into the apparatus, the apparatus has been exposed to rain or moisture, does not operate normally, or has been dropped.
 15. To Reduce the Risk of Fire or Electric Shock, Do not Expose This Appliance To Rain or Moisture.
 16. The Shock Hazard Marking and Associated Graphical Symbol is provided on the bottom panel of unit.
 17. Apparatus shall not be exposed to dripping or splashing and no objects filled with liquids, shall not be placed on the apparatus.

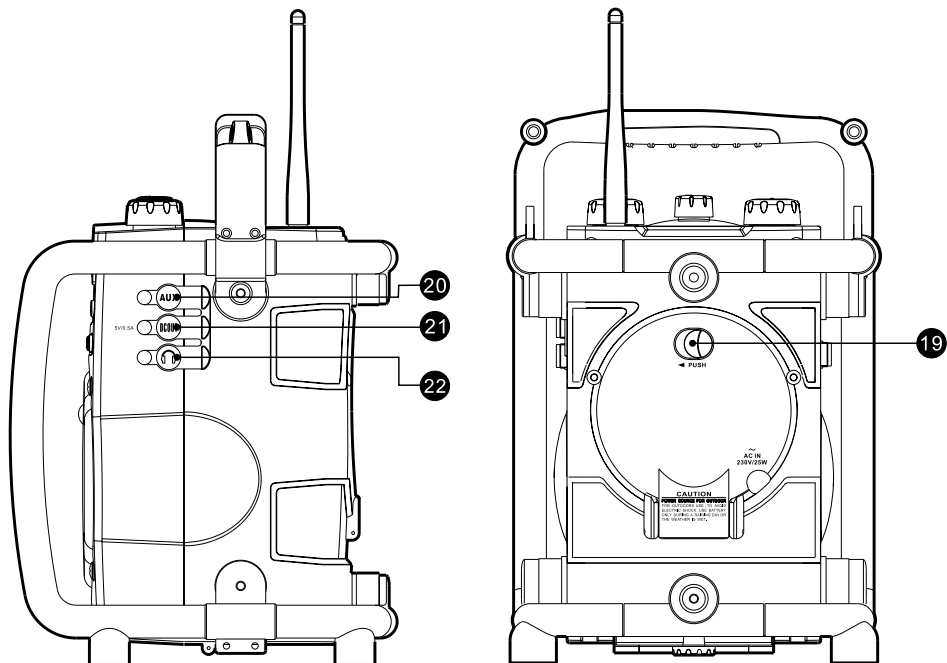
GB



Control

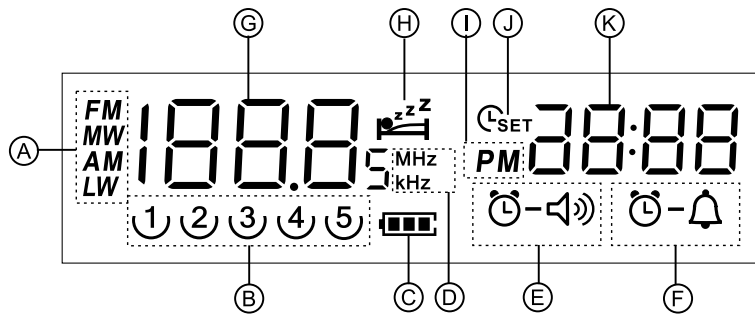
- ① Volume Control
- ② Tone Control
- ③ Tuning Control/Time Set/Station Scan
- ④ FM Antenna
- ⑤ Aux In LED indicator
- ⑥ DC Out LED indicator
- ⑦ Power Button/Sleep
- ⑧ Band Selection
- ⑨ Buzzer Alarm
- ⑩ Speaker
- ⑪ Buzzer
- ⑫ Light
- ⑬ Light Switch
- ⑭ LCD Display
- ⑮ Radio Alarm
- ⑯ Open to AC Cord Compartment
- ⑰ DC Input Socket
- ⑱ Open to AC Cord Compartment
- ⑲ Open to AC Cord Compartment
- ⑳ Aux In Socket
- ㉑ DC Output Socket
- ㉒ Headphone Socket

GB



LCD Display

- Ⓐ Band Indicator
- Ⓑ Preset Stations
- Ⓒ Battery Power
- Ⓓ Frequency unit
- Ⓔ Radio Alarm
- Ⓕ HWS Buzzer Alarm
- Ⓖ Frequency
- Ⓗ Sleep and Snooze Status
- Ⓘ PM for Clock
- Ⓝ Time Set
- Ⓚ Clock



Power the radio

Note:

Insert back up battery prior to main batteries.

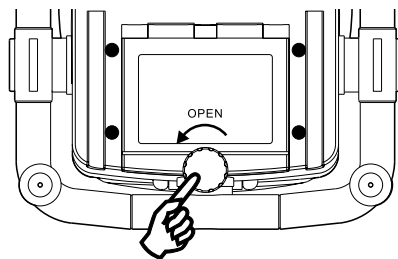
Back up battery is to back up the preset stations and also clock.

It is necessary to insert back up battery (2 x UM-3 1.5V, not supplied) for memory back up even if you use AC power only. Without the back up battery, time and preset station will get lost if remove AC power cord from AC outlet or during AC power failure.

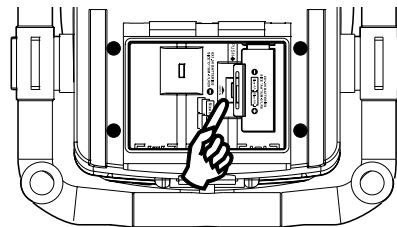
Back up battery compartment is located inside the main battery compartment. Insert 2 x AA size (UM-3) battery and ensure the battery is inserted in accordance with the diagram shown.

GB

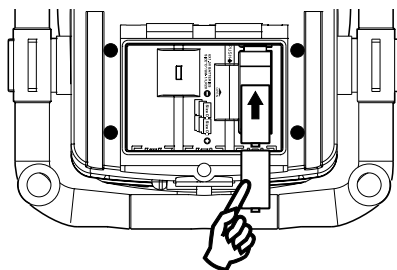
1.



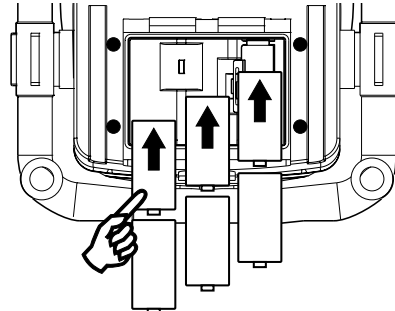
2.



3.



4.



1. Battery operation

Installing the batteries, first turn battery cover fixture anti-clockwise to loosen and put down the battery cover. Insert 6 x D size (UM-1) battery into the compartment. Ensure the battery is inserted in accordance with the diagram shown.

Close the battery cover and fasten the fixture by turning clockwise. If the radio is not to be used for any extended period of time, it is recommended that the battery is removed from the radio.

2. AC operation

Before you plug the AC cord into the AC socket, be sure the voltage is correct. If you have batteries in the radio and use the AC power cord, the batteries will automatically be disconnected.

Switch the "Open" to the AC cord compartment to OPEN position, pull back the compartment door and cylinder of the AC cord storage, put out the AC cord to get the required length to the AC socket and position the AC cord in the cut out in the lower right side of the compartment door. Close the door.

You can store the AC cord after use in the opposite way you pull out the AC cord.

3. Powered via DC IN socket

The radio can be also powered via the DC IN socket which can allow 9-14 Volt DC, which is designed to be powered by the vehicle or the boat so you can take the radio with you outdoors or on the boat.

An additional cigarette lighter cable is required (not supplied) for this device.

Setting the clock

1. Clock can be set either the radio is power on or off.
2. Display will show “- : -” when the batteries are installed or when the radio is connected to the mains supply.
3. Press in Tuning control (Time Set) knob for more than 2 seconds, display will flash time set symbol C_{SET} and also the hour digits, followed by a beep.
4. Rotary Tuning Control (Time Set) knob to set the required hours.
5. Press in Tuning control knob, the minute digits will flash.
6. Rotary Tuning Control button to set required minute.
7. Press in Tuning Control button to complete time setting.

Operating the radio

GB

This radio is equipped with three tuning methods – Scan tuning, Manual tuning and Memory presets recall.

Scan Tuning

1. Press the Power button to turn on the radio.
2. Select the required waveband by pressing the Band button.
For FM band, be sure to screw in the rubber FM antenna properly to get best reception. For MW (AM) band, rotate the radio to get best signal.
3. Press and release Tuning Control /Time Set /Scan knob (long press the knob more than 2 seconds will activate time setting), the radio will up search and stop automatically when it finds a radio station. Press the Scan button again to pick up the found station.

Note:

The radio will continue to search next available stations if you do not press Scan button again when it finds a radio station.

4. Rotate the Volume Control and Tone Control to get required sound level.
5. To turn off the radio, press the Power button.
Display will show OFF.

Manual tuning

1. Press the Power button to turn on the radio.
2. Select the required waveband by pressing the Band button.
Adjust the antenna as described above.
3. A single press on either rotate the Tuning Control knob will change the frequency in the following increments:
FM: 50 or 100 kHz
MW (AM): 9 or 10 kHz
4. Rotate the Volume Control and Tone Control to get required sound level.
5. To turn off the radio, press the Power button.
Display will show OFF.

Storing stations in preset memories

There are 5 memory presets for each waveband.

1. Press the Power button to turn on the radio.
2. Tune to required station using one of the methods previously described.
3. Press and hold down the required preset until the radio beeps.
The preset number will appear in the display and the station will be stored under chosen preset button.
4. Repeat this procedure for the remaining presets.
5. Stations stored in preset memories can be overwritten by following above procedures.

Recalling stations from preset memories

GB

1. Press the Power button to turn on the radio.
2. Select the required waveband.
3. Momentarily press the required Preset button, the preset number and station frequency will appear in the display.


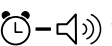
Setting the radio alarm

When the radio alarm is selected, the radio will turn on and play the chosen radio station at the chosen alarm time. The radio alarm will continue for one hour unless turned off by pressing the Power button. Press the Power button whilst the alarm is activated will cancel the alarm for 24 hours.


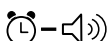
Note:

Radio alarm can be activated only until both radio alarm time and radio alarmed station are set. Radio alarm will be automatically switched to Buzzer alarm when the radio is in low battery status or the selected radio alarm station signal is too weak.

a. Setting radio alarm time:

1. The radio alarm can be set either radio is on or off.
2. Press and release radio alarm button , the radio alarm symbol  will flash.
3. During radio alarm flashing, press Tuning control/Scan/Time Set knob for more than 2 seconds followed by a beep tone.
4. Display Hour will flash, rotate Tuning Control knob to select the hour then press in Tuning control/Scan/Time Set knob again to confirm hour setting.
5. Follow same procedure of setting hour to set required minute. Press Tuning Control/Scan/Time Set knob again to complete alarm time setting.

b. Setting radio alarmed station:


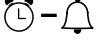
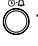
1. During setting radio alarm time and radio alarm symbol is flashing, press Band button to activate the radio to select required wake-up band and station by manual tuning and recall preset stations.
2. When above radio alarm time and station are set, press and hold radio button  for 2 seconds followed by a beep tone to switched alarm on or off. Display will show  when radio alarm is set.

Note:

If new radio alarm station is not selected, it will select the last alarm station.

Setting the HWS (Humane Wake System) buzzer alarm

A beep tone will activate when selecting the HWS alarm. The alarm beep will increase in volume every 15 seconds for one minute followed by one minute silence before repeating the cycle. The HWS buzzer alarm will sound for one hour until turning off by pressing the Power button. Press the Power button whilst the alarm is activated will cancel the alarm for 24 hours.

1. The HWS buzzer alarm can be set either radio is on or off.
2. Press and release the HWS buzzer alarm button , the symbol  will flash.
3. During the symbol flashes, long press the Tuning Control/Scan/Time Set knob for more than 2 seconds followed by a beep tone. Display Hour digit will flash.
4. Rotate Tuning Control knob to select required alarm hour, then press in Tuning Control knob again. The minute digit will then flash.
5. Rotate Tuning Control knob to select required alarmed minute the press in Tuning Control knob to complete alarm setting.
6. Press and hold down HWS buzzer alarm button  for more than 2 seconds followed by a beep tone to switch on or off the alarm.

Display will appear  when HWS buzzer alarm has been set.


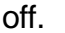
GB

Snooze function

1. Whilst the alarm is activated, press any buttons except the Power button will activate the snooze function. The radio or HWS buzzer alarm will be silenced with interval of 5 minutes.
2. The display will flash both the snooze symbol **zz** and the alarm symbol. The snooze function can repeatedly during the 1 hour that the alarms are active.

Sleep function

The sleep timer will automatically switch off the radio after a preset time has elapsed.

1. Press and continue to hold down the Power button for more than 2 seconds, followed by a beep tone, display will cycle through the available sleep times in the order 60-45-30-15-120-90-60. Release the Power button when the required sleep time appears in the display. The  symbol will appear in the display and the radio will play the last station selected.
2. To cancel the sleep function, press the Power button, the  symbol will disappear and radio is off.

Display backlight

Press any buttons will illuminate the LCD display for approx. 15 seconds. During scanning stations and alarm activated, will also automatically illuminate the display.

Setting tuning step

Tuning steps on some countries are different from where you purchase the radio. If you buy the radio in Europe and intend to use in Northern America or some Southern American countries, you may have to adjust tuning step so the radio may continue to serve you well.

While radio is switched off, long press Step/Band button for more than 2 seconds will first show current FM tuning step.

Continue pressing Step/Band button for approx. another 5 seconds until display FM and 50 kHz (tuning step) flashing followed by a beep. By rotate Tuning Control knob, you may adjust to 100 kHz per tuning step.

After FM tuning step is reset, pressing Step/Band button again, display will show MW and flash 9 kHz. By rotate Tuning Control knob, you may adjust to 10 kHz per tuning step. Complete the setting by pressing Step/Band button.

GB

Aux and Headphones sockets

1. The Aux socket (3.5 mm) on the right side of your radio is for use with a tape recorder/mini disc or any other equipment that can provide a line level signal. Inserting a plug into the socket automatically mutes the internal signal. And Aux LED will be on. The Volume and Tone control can be used to adjust sound level.
2. The Headphone socket (3.5 mm) located on the right side of your radio is for use with either headphones or an earphone. Inserting the headphone plug automatically mutes the internal loudspeaker.

DC out – charge your mobile phone

Note:

Always charge your mobile phone when the radio is switched off.

Suitable for phones with 3.6 – 4.8 Volt batteries.

Please read instruction manual of your mobile phone.

Connect the supplied charging cable to the DC out.

For Nokia phones you can connect your phone directly to this cable.

For Sony Ericsson mobile phones, connect the supplied plug adaptor to go with the mobile phone connection. For other brand mobile phones, you can source from mobile phone accessory stores to get the suitable plugs.

Light

1. Your radio is fitted with a long life LED light located on the front of your radio. The light may be switched on and off by gently pressing the Light button.

Specifications

Frequency Coverage:

FM 87.50 – 108 MHz

AM (MW)

520 – 1710 kHz (10 kHz)

522 – 1629 kHz (9 kHz)

AC Power:

AC 120V/60Hz/25W (USA)

AC 230V/50Hz/25W (Europe)

Batteries: 6 x UM-1 (D size)

GB

DC IN :

12V/1A center pin positive (operational voltage 9-14V)

3.5 mm in diameter.

Output Power:

5W 10% T.H.D. @ 100 Hz @ DC battery 9V

7W 10% T.H.D. @ 100 Hz @ AC 230V or 110V

Headphones socket:

3.5 mm diameter, stereo jack, monaural output

Output power: 5 mW + 5 mW

Aux in socket:

3.5 mm diameter, stereo jack to be mixed as monaural

Input sensitivity: 100m Vrms at output 5W @ 100 Hz

Input impedance: 47 kohm

DC Out: 5V 500 mA

Speaker unit: 6.5 inches 8 ohm 15W, full range

Internal Antenna system:

AM built-in ferrite aerial

FM built-in removable bended spring antenna

LED illuminator: 3 x white LED, current consumption 50 mA

Battery life:

Approx. 30 hours using Alkaline batteries at 50mW output power.

Dimension: 262x385x271 mm

Weight: approx. 4.2 kgs

GB



If at any time in the future you should need to dispose of this product please note that: Waste electrical products should not be disposed of with household waste. Please recycle where facilities exist. Check with your Local Authority or retailer for recycling advice. (Waste Electrical and Electronic Equipment Directive)





CE
381PL01A-A

