

# Changing dresser (8455) - Assembly and Operation Manual

Congratulations on purchasing an MDB Family product. This product will provide many years of service if you adhere to the following guidelines for assembly, maintenance and operation. This product is for residential use only. Any institutional use is strictly prohibited.

Please be sure to follow the instructions for proper assembly. Use a Phillips head screwdriver for assembling the product in addition to the Allen wrench included in the hardware box. Do not use power screwdrivers. All of our products are made from natural woods. Please understand that natural woods have color variations which are the result of nature and not defects in workmanship.

DO NOT SUBSTITUTE PARTS. ALL MODELS HAVE THE SAME QUANTITY OF PARTS AND HARDWARE. YOUR MODEL MAY LOOK DIFFERENT FROM THE ONE ILLUSTRATED DUE TO STYLISTIC VARIATIONS.

## **WARNING!**

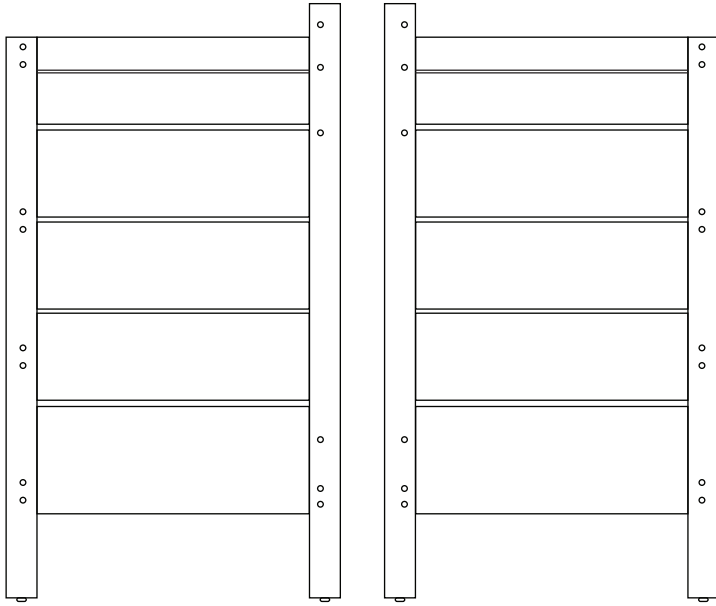
**READ ALL INSTRUCTIONS BEFORE USE OF THE CHANGING TABLE, ADD-ON CHANGING UNIT, OR CONTOURED CHANGING PAD.**

### **!!PLEASE READ!!**

Assembly of this furniture is easier with two people. Assemble furniture on debris free carpets or on the enclosed foam sheets to prevent scratching of finish. Using any power tools to assemble this furniture may potentially strip the wood. **DO NOT OVERTIGHTEN SCREWS. DO NOT USE THE CHANGING TABLE IF IT IS DAMAGED OR BROKEN.**



# PARTS

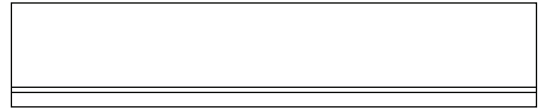


A. Left Side Panel

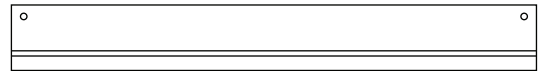
B. Right Side Panel



C. Dresser Support Rail X 4



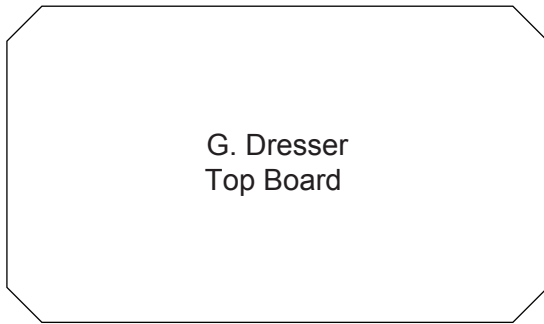
D. Dresser Back Top Panel



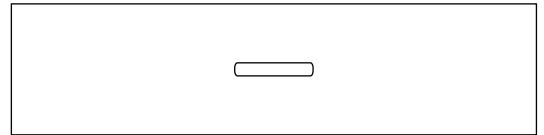
E. Dresser Front Top Panel



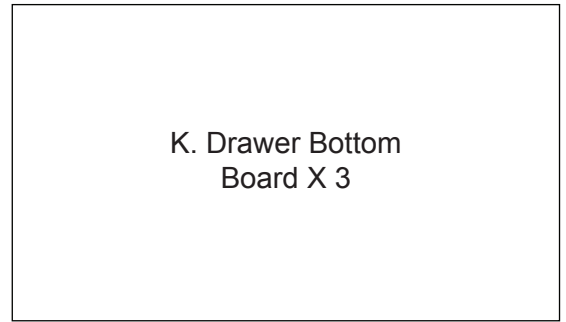
F. Dresser Top Bar



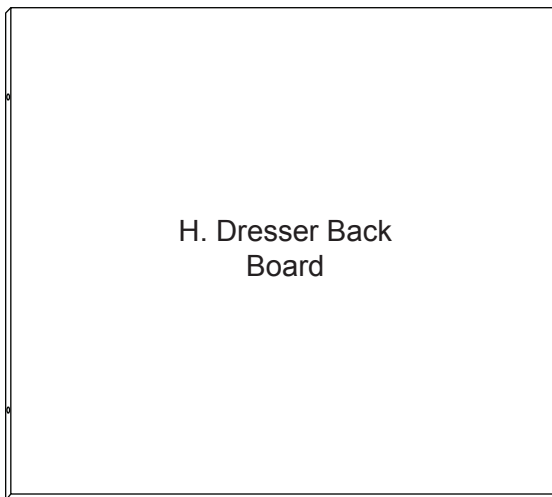
G. Dresser Top Board



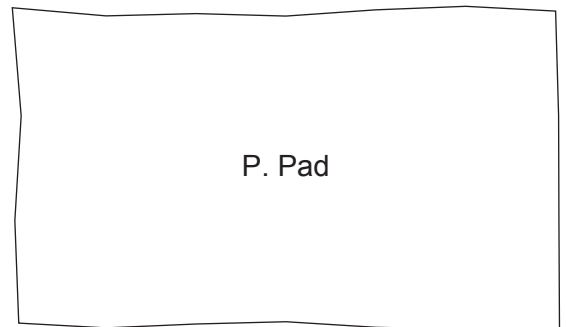
J. Drawer Front X 3



K. Drawer Bottom Board X 3



H. Dresser Back Board



P. Pad



L. Left Drawer Panel X 3

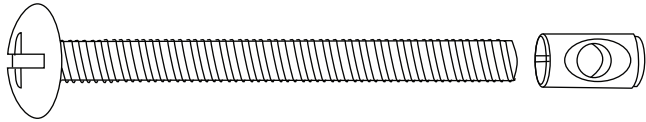


M. Drawer Back X 3



N. Right Drawer Panel X 3

# HARDWARE



H1. 2 -1/2" Round Head Bolt with Nut X 12



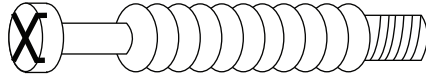
H2. 1-1/4" Wood Screw X 12



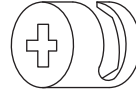
Phillips screwdriver



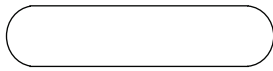
H3. 1/2" Small Wood Screw for Glides X 36



H4. Cam Bolt X 8



H5. Cam Lock X 8



H6. Wood Dowel X 7



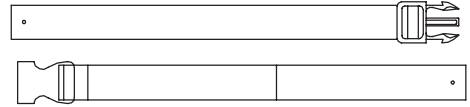
H7. Plastic Plug X 12



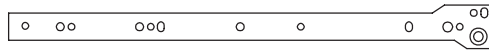
H8. Wood Screw X 2



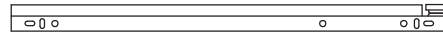
H9. Lock Washer X 2



H10. Strap



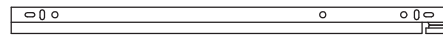
H11. Right Panel Glide X 3



H12. Right Drawer Glide X 3

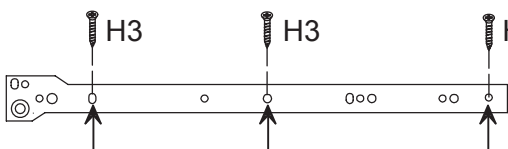
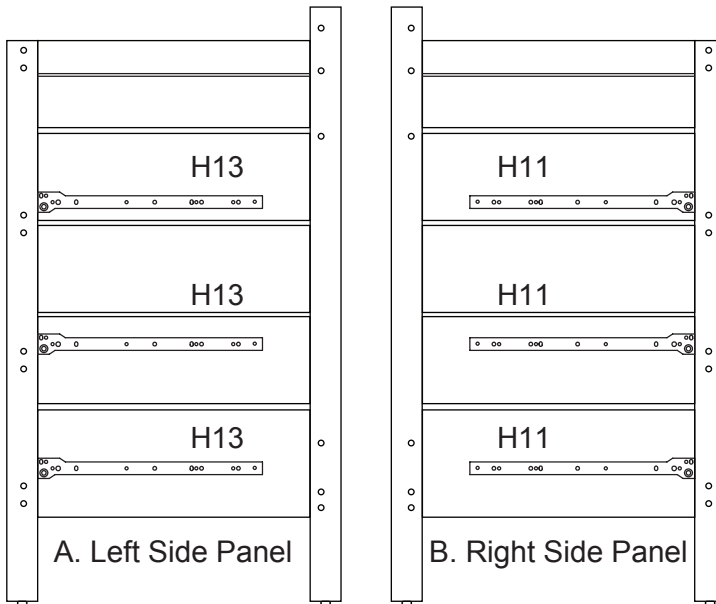


H13. Left Panel Glide X 3

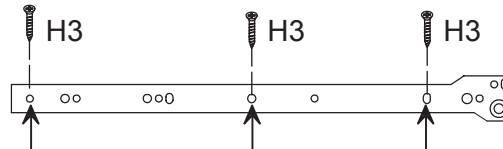


H14. Left Drawer Glide X 3

## STEP 1. Attach panel glides to side panels.

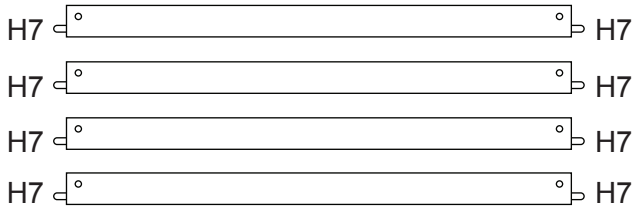
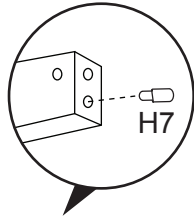


H13. Left Panel Glide

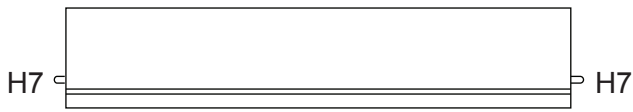


H11. Right Panel Glide

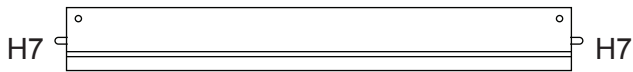
**STEP 2. Insert plastic plugs to dresser support rails and top panels.**



C. Dresser Support Rail X 4

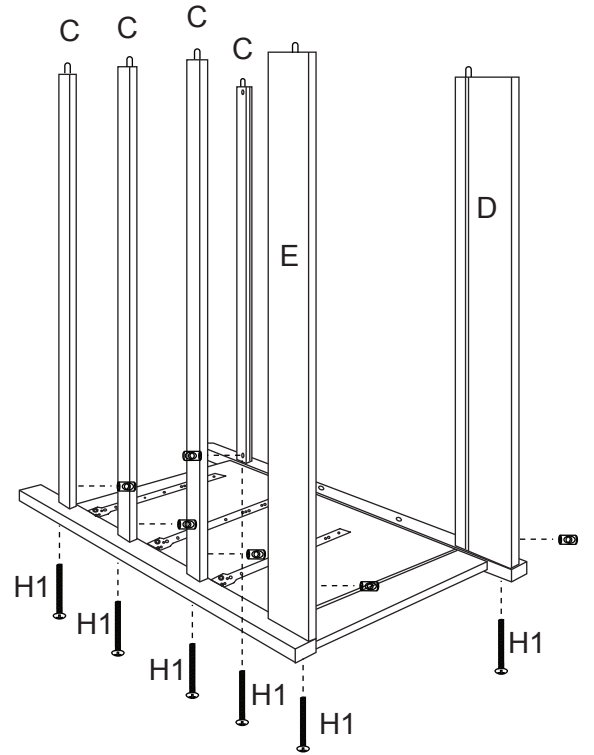


D. Dresser Back Top Panel



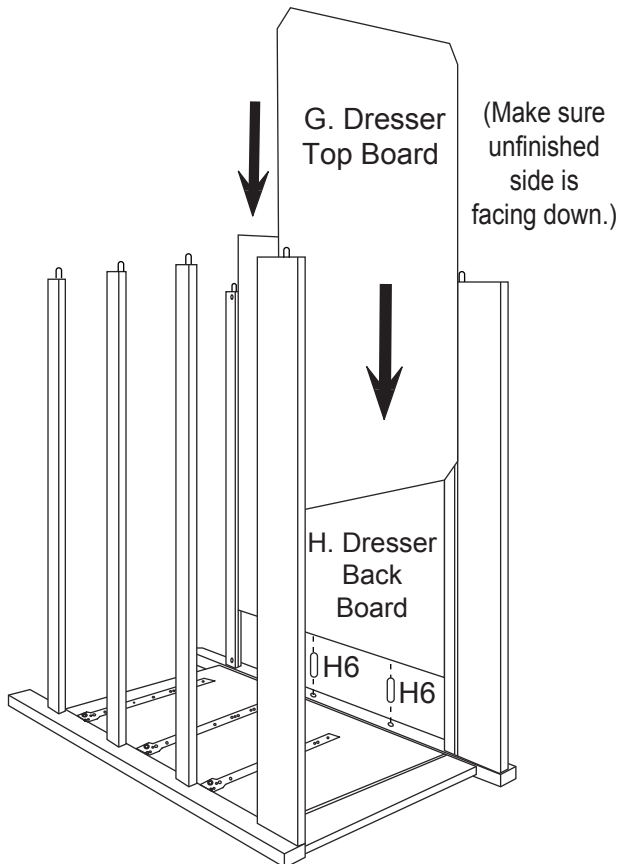
E. Dresser Front Top Panel

**STEP 3. Attach dresser support rails and top panels to right side panel.**



B. Right Side Panel

**STEP 4. Insert dresser boards.**

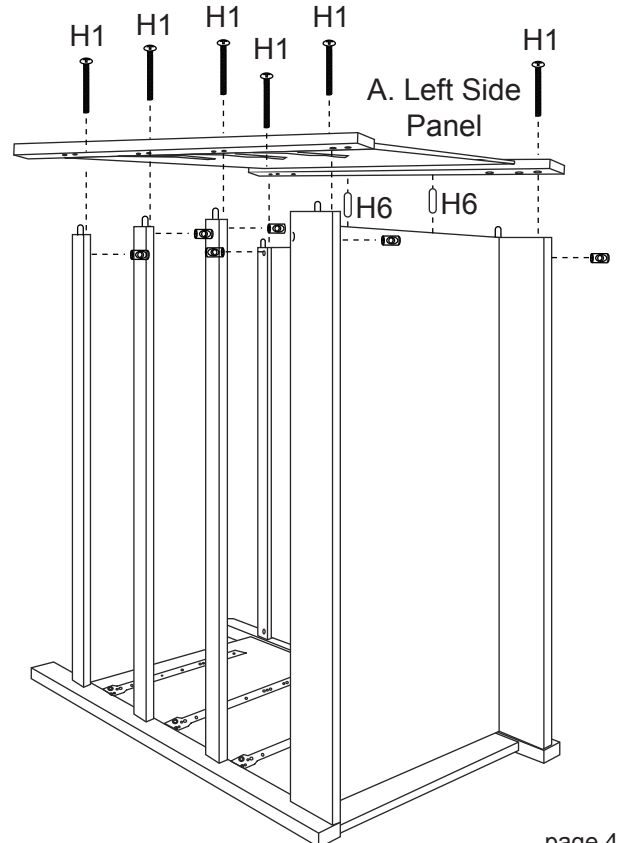


G. Dresser Top Board

(Make sure unfinished side is facing down.)

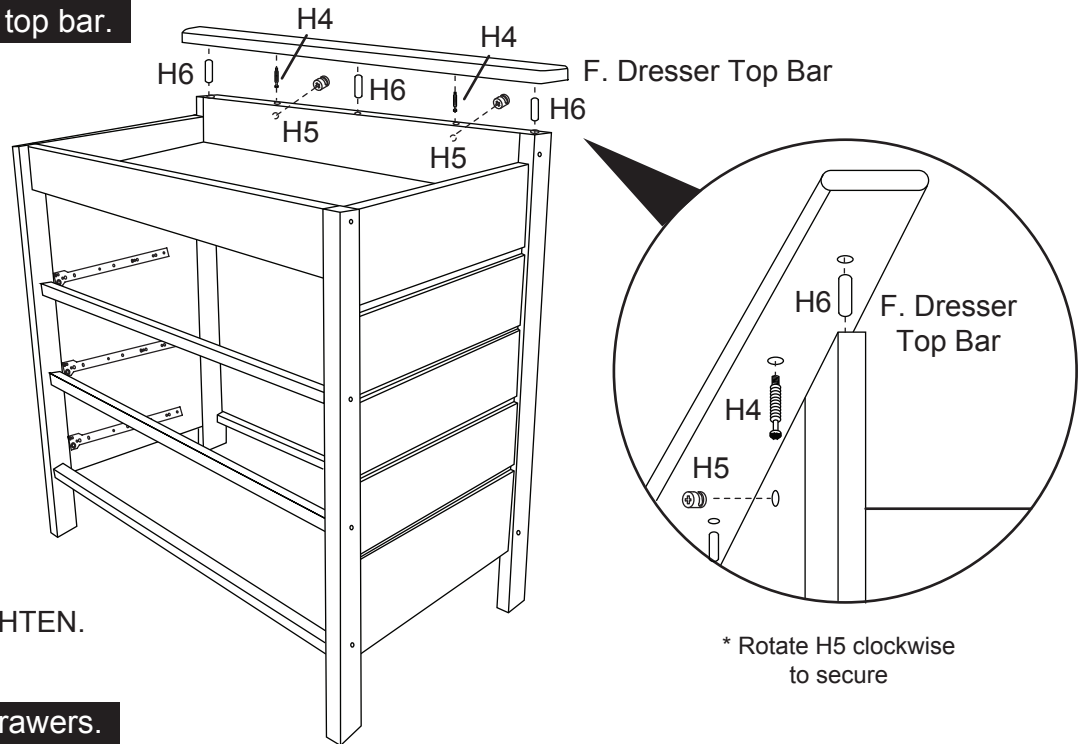
H. Dresser Back Board

**STEP 5. Attach the left side panel.**

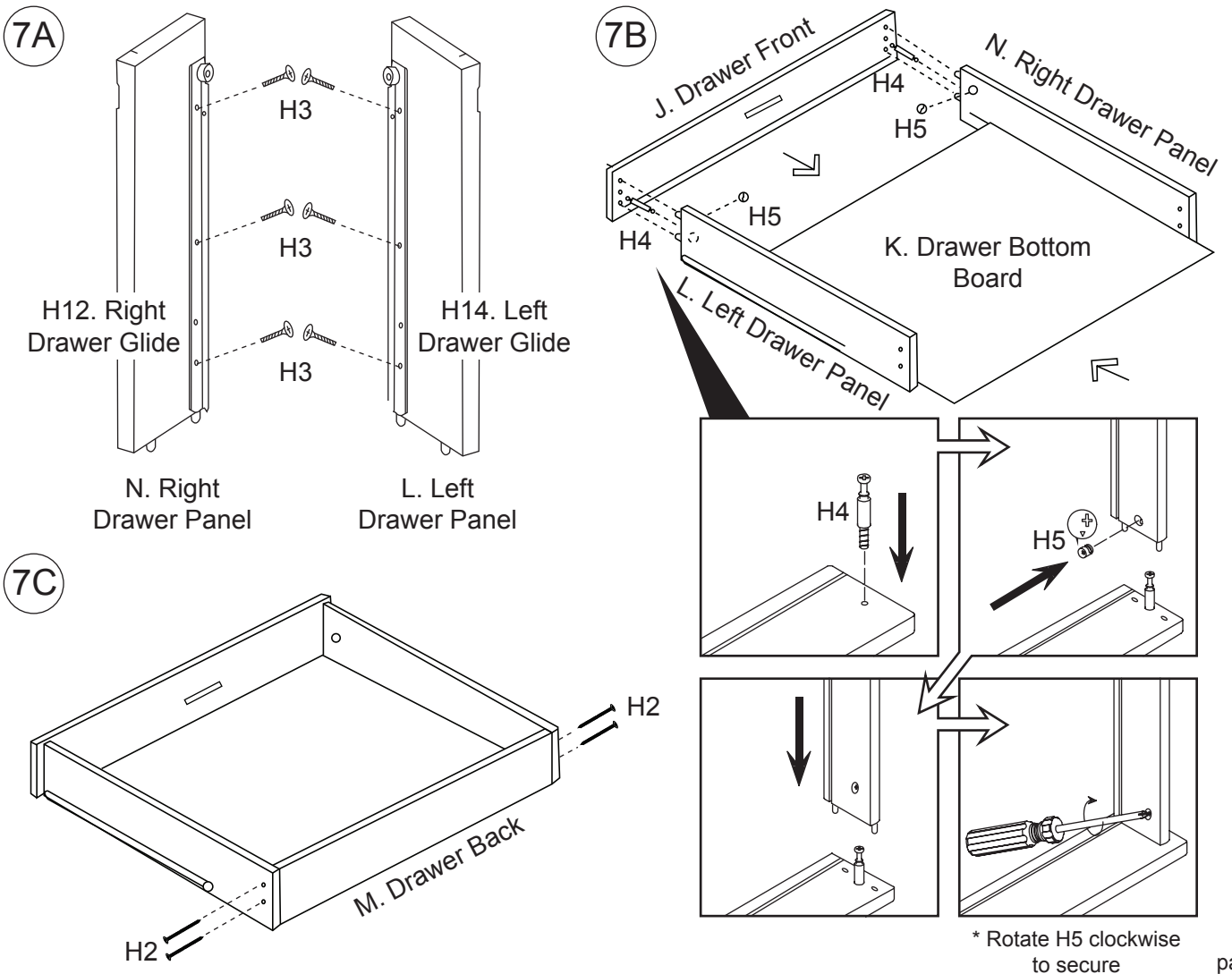


A. Left Side Panel

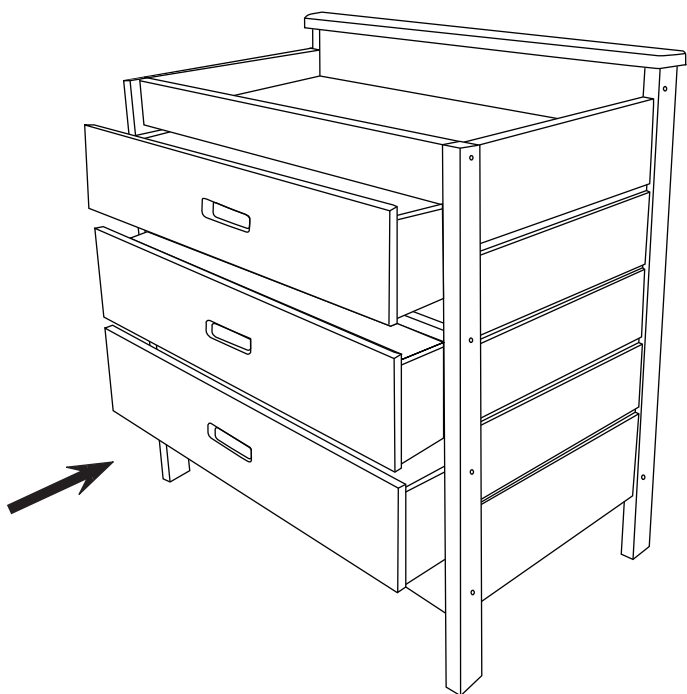
**STEP 6. Attach dresser top bar.**



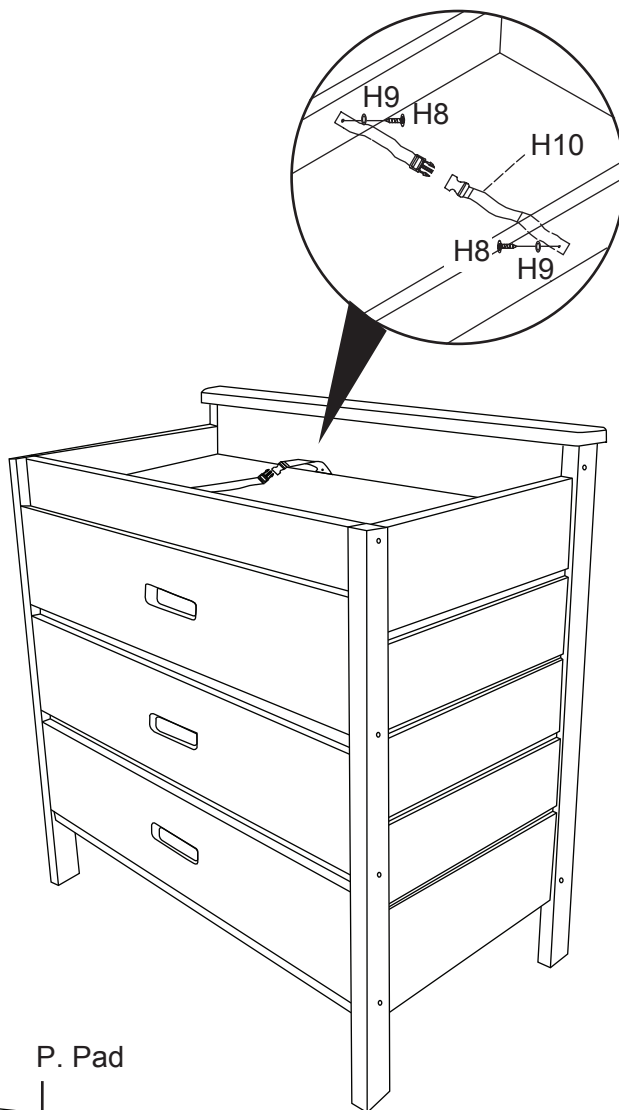
**STEP 7. Assemble all drawers.**



**STEP 8. Slide drawers to the dresser.**



**STEP 9. Attach the strap.**



**STEP 10. Place the pad onto the changer.**



KEEP THIS MANUAL IN A SAFE PLACE FOR FUTURE REFERENCE.

**The recommended maximum weight of the occupant is 30 lbs on changing table.**



# WARNING! FALL HAZARD

**TO PREVENT DEATH OR SERIOUS INJURY, ALWAYS KEEP CHILD WITHIN ARM'S REACH.**

**READ ALL INSTRUCTIONS BEFORE ASSEMBLING THIS PRODUCT. KEEP THE MANUAL FOR FUTURE USE.**



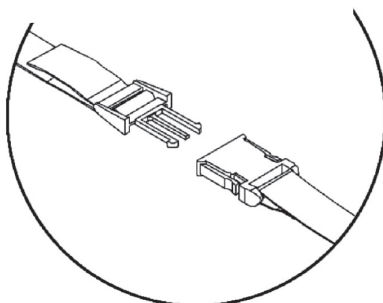
## WARNING:

- Read all instructions before use of the changing table.
- Do not use changing table if it is damaged or broken.
- This product is not intended to be used as a changing table without adult supervision. Use of the product without this may result in death or serious injury to your child from falling. Follow all instructions on attaching and using the changing table.
- Only use the pad provided by MDB FAMILY .
- The maximum weight of the child for which the changing table is intended is 30 lbs.
- Stop using this changing table when the child is able to sit up or roll over.
- As with all infant and baby furniture, it is important to check fasteners, screws, and bolts periodically for tightness. Parents should ensure a safe environment for their child by checking the furniture regularly before placing the child in the product.
- When using this product, always secure the child with the safety strip.



## WARNING! FALL HAZARD

To prevent death or serious injury, always keep child within arm's reach. Never leave child unattended and always use restraining system.



### **ONE YEAR LIMITED WARRANTY:**

We will replace any missing parts at the time of purchase or any defective item within a one year period from the date of original purchase. Please keep your receipt so that we may process your warranty request. This warranty only covers new units with original packaging and ownership, and is not transferable. It does not cover any used, second-hand or demo models.

This warranty does not cover any damaged or defective parts that result from installation and assembly, normal wear and tear, abuse, negligence, improper use or alteration to the finish, design, and hardware. The specific legal rights of this warranty may vary from state to state. Some states do not allow any exclusion or limitation of incidental damages. Some states do not allow limitation on how long an implied warranty lasts.

### **Storage:**

- Pine woods exchange moisture with the air adjusting to major changes in room temperature and humidity. Therefore, it is best to place your furniture away from heating or air-conditioning vents.
- Sunlight is not friendly to solid wood furniture and prolonged direct exposure to harsh sunlight can discolor the finish. Be careful not to place your furniture in direct sunlight for extended periods of time. As with all your fine furniture, blot up spills immediately.

### **Care and Cleaning:**

- Do not scratch or chip the finish. Do not use abrasive chemicals for cleaning. Clean with mild soap on a soft rag. Rinse and dry thoroughly. If you ever refinish this furniture, be sure to use only a non-toxic finish specified for children's products. If you choose to refinish this furniture, the warranty will be voided.

Registering your product is even easier than before. You can register your product on our website at : [www.themdbfamily.com](http://www.themdbfamily.com)

IF YOU WOULD LIKE TO ORDER REPLACEMENT OR MISSING PARTS PLEASE VISIT US AT:

**WWW.THEMDBFAMILY.COM**

OR YOU CAN CONTACT US BY MAIL:

**MDB FAMILY**

**855 WASHINGTON BLVD.**

**MONTEBELLO, CA 90640**

# Restraint System

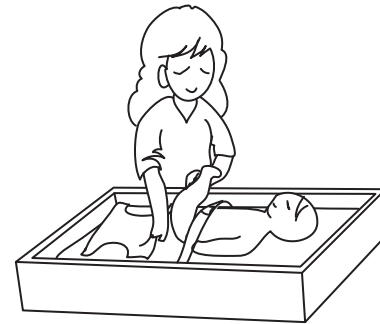
## **WARNING:**

During the diaper changing process, be sure always to keep one hand on the baby to prevent the baby from falling off the changing pad. Falling from the changing pad could cause severe injury or even death to the baby.



### **Step 1.**

Place a baby on the pad with his/her bottom on the top of the diaper. Safely secure the baby on the pad with the safety straps and buckle on the pad. This helps prevent the baby from falling off the pad, which can result in severe injury or even death of the baby.



### **Step 2.**

Remove the dirty diaper from the baby.



### **Step 3.**

Push the baby's legs forward and create a cavity under the baby's bottom. Clean the baby.



### **Step 4.**

Reattach the new diaper to a clean and happy baby!

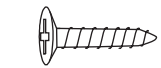


# !!! IMPORTANT !!! Furniture Anti-Tipping Kit Installation

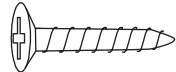
Children may be injured by tipping furniture and the use of the anti-tipping kit is highly recommended. This device, when properly installed, could provide protection against unexpected tipping of furniture due to improper use.

## !!WARNING!! THIS DEVICE IS NOT A SUBSTITUTE FOR ADULT SUPERVISION.

### HARDWARE



A. Shorter screw



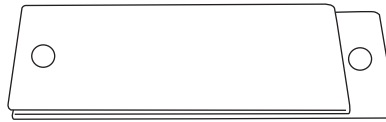
B. Longer screw



C. Washer (2)

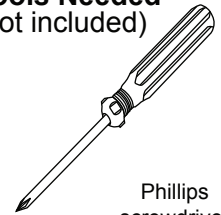


D. Plastic anchor



E. Strap

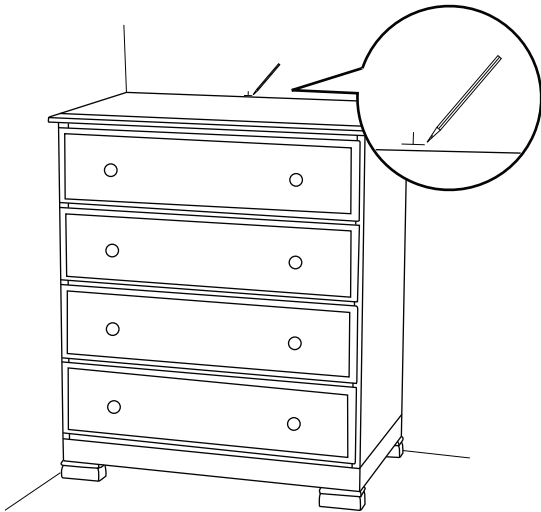
Tools Needed  
(not included)



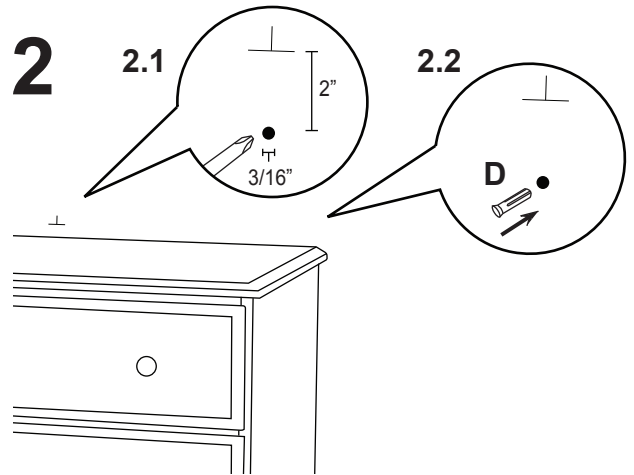
Phillips  
screwdriver

### ASSEMBLY INSTRUCTIONS

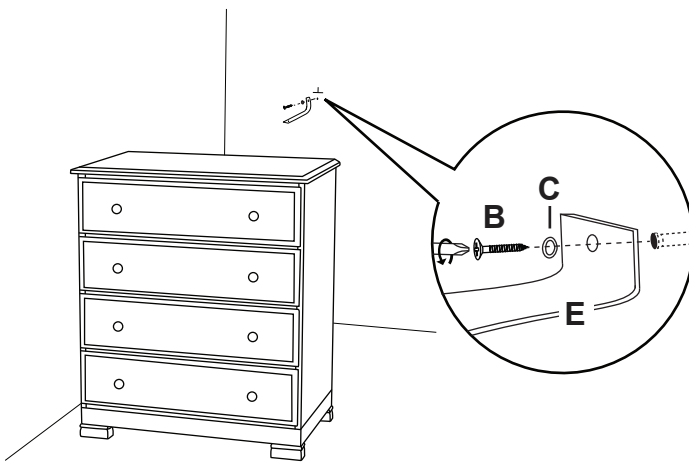
1



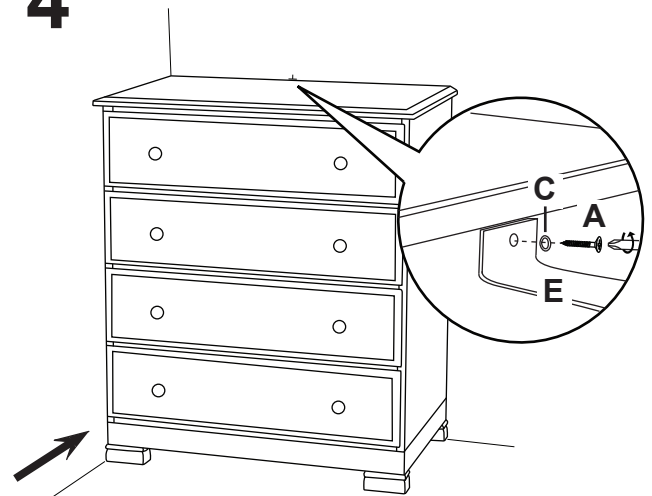
2



3



4



### Safety Notes:

- Do not allow your children to climb or jump on the furniture or in the drawer. Climbing on the furniture could make it top-heavy and cause the furniture to damage or tip over.
- Never move or push heavy furniture by yourself as it can cause the furniture to tip over.
- This furniture is not intended to support TV or other heavy items.
- Do not overload the drawers.