

PRODUCT SPECIFICATIONS See-Thru (624DVST) Designer Direct Vent



GLASS VIEWING AREA

Front Opening Width: 32-1/4"

Front Opening Height: 19-1/2"

TECHNICAL INFORMATION

Max. Btu Input: 36,000 BTU/HR

Ignition System: Standing Pilot or Electronic

Gas Type: Natural or LP

Flue Type: Simpson Dura-Vent, Selkirk Metalbestos, Metal Fab

Termination: Rear/Top Vent Convertible

Clearance to Flue for Interior: 3" Top 1" Bottom and Sides

Clearance to Flue for Outside Wall: 1"

Clearance to Fireplace: 1/2"

CSA Design Certified

FIELD INSTALLED ACCESSORIES

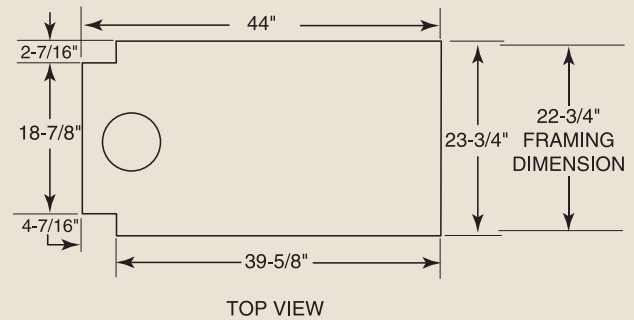
Louvers: Polished Brass, Pewter

Medium Trim Kits: Black, Polished Brass, Pewter

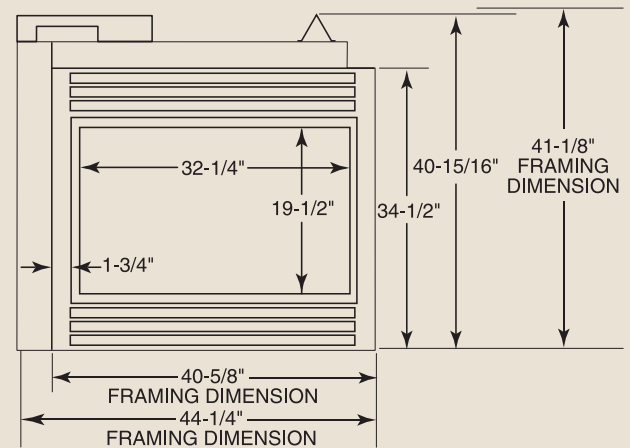
Variable Thermostat Controlled Forced Air Blower (160 cfm) - BLOT

Ambient Technologies™ Remote Controls and Thermostats

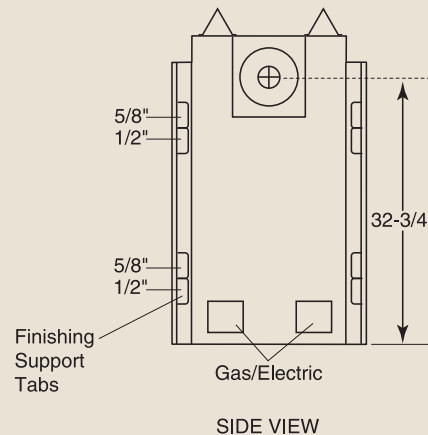
Classic Facings



TOP VIEW



FRONT VIEW



SIDE VIEW

Framing dimensions in illustrations accommodate 1/2" finishing material.



A Brand of Monessen Hearth Systems Co.
149 Cleveland Drive, Paris, Kentucky 40361

www.monessenhearth.com

 **Monessen**

To avoid personal injury or property damage, the product described by this brochure must be installed, operated and maintained in strict compliance with the instructions packaged with the product and all applicable building or fire codes. Contact local building or fire officials about restrictions and installation inspection requirements. All photographs and drawings on this brochure are for illustrative purposes only and are not intended for, nor should they be used as a substitute for the instructions packaged with the unit. Appearance and specifications of the product are subject to change without notice. © 2007 Monessen Hearth Systems Co.