

Accessories**Cleaning Supplies**

5090-3379 Toner cleaning cloth - Specially treated cloth for absorbing toner (1 per package) - Ideal for cleaning up toner spills

Electronic Accessories**Cable (Interface)**

24540-80010 Centronics (parallel) cable - 36 pin (M) to 25 pin (M) - 2.0m (6.6ft) long

5063-1256 IEEE-1284 Bi-Tronics parallel cable - DB-25 (M) connector (type A) to 36 pin Centronics (M) connector (type B) - 2.0m (6.6ft) long

5063-1257 IEEE-1284 Bi-Tronics parallel cable - DB-25 (M) connector (type A) to 36 pin Centronics (M) connector (type B) - 3.0m (9.8ft) long

C2950A IEEE-1284 Bi-Tronics parallel cable - DB-25 (M) connector (type A) to 36 pin Centronics (M) connector (type B) - 2.0m (6.6ft) long

5063-1256 *New Part for C2950A*

C2951A IEEE-1284 Bi-Tronics parallel cable - DB-25 (M) connector (type A) to 36 pin Centronics (M) connector (type B) - 3.0m (9.8ft) long

C2990A IEEE-1284 Bi-Tronics parallel cable - DB-25 (M) (type A) to 36 pin (M) Centronics (type B) - 1.8m (6ft) long
NO LONGER SUPPLIED

C2991A IEEE-1284 Bi-Tronics parallel cable - DB-25 (M) (type A) to 36 pin (M) Centronics (type B) - 3.0m (10ft) long
NO LONGER SUPPLIED

Memory Module

C2024-60100 1MB memory module - For LaserJet

External Case Parts**Button**

10 RB1-3128-000CN Reset button (Purple)
NO LONGER SUPPLIED

11 RB1-3132-000CN Lock button (purple) - Unlocks top cover door
NO LONGER SUPPLIED

Cover

12 RF5-0597-000CN Main cover
NO LONGER SUPPLIED

Door

13 RB1-2977-000CN I/O door - On left side - Access for connecting I/O cable
NO LONGER SUPPLIED

14 RB1-2978-000CN Power cord door - On right side - Access for power cord
NO LONGER SUPPLIED

15 RB1-2979-000CN Memory door - On left side - Access to optional memory
NO LONGER SUPPLIED

16 RB1-3129-000CN Top door - Flip up door - For toner cartridge/printer access
NO LONGER SUPPLIED

17 RG5-0691-000CN Rear door assembly - With paper pawl - For top or rear output

Foot

18 RB1-3001-000CN Rubber foot
NO LONGER SUPPLIED

Guide

19 RB1-3133-000CN Lock button guide (Purple) - Cylindrical guide for button
NO LONGER SUPPLIED

Label

C2003-00019 Help label (English)
NO LONGER SUPPLIED

External Case Parts**Light Pipe**

- 21 RB1-2976-000CN Light pipe - To 4 top cover indicators - LEDS on formatter board
NO LONGER SUPPLIED

Nameplate/Logo

- 22 C2003-00005 Nameplate - C2003A LaserJet 4L
NO LONGER SUPPLIED

Spring

- 23 RB1-3138-000CN Torsion spring for back door assembly
NO LONGER SUPPLIED
- 24 RS5-2228-000CN Top door latch spring - Attaches to the lock button
NO LONGER SUPPLIED

Fusing Assembly Parts**Delivery**

- 25 RG5-0681-000CN Delivery assembly - Plastic guide with two spring loaded rollers - Mounts in the fusing assembly

Fusing Assembly

- 26 5182-2801 Fusing assembly (240V, 50Hz) - Bonds toner to paper by heat - In quantity price break packaging (Contains 5 New fusing assemblies)
NO LONGER SUPPLIED
- 27 5182-2802 Fusing assembly (240V, 50Hz) - Bonds toner to paper by heat - In quantity price break packaging (Contains 10 New fusing assemblies)
- 28 C2003-69001 Fusing assembly (120V, 60Hz) - Bonds toner to paper by heat
NO LONGER SUPPLIED
- 29 RG5-0677-000CN Fusing assembly (240V, 50Hz) - Bonds toner to paper by heat
NO LONGER SUPPLIED

Lever

- 30 RB1-2981-000CN Fuser release lever (Aqua) - For clearing paper jams
NO LONGER SUPPLIED
- 31 RB1-3097-000CN Paper exit (flag) lever - For the exit sensor - Mounts in the fusing assembly

Lubricant

- CK-0551-000CN Lubricant - For the gear train on the fusing assembly

Roller

- 33 RB1-3100-000CN Lower pressure roller - Hard rubber roller - In fusing assembly
- 34 RB1-3103-000CN Exit roller - Shaft with 3 rubber rollers - In fusing assembly
NO LONGER SUPPLIED
- 35 RB1-3107-000CN Plastic roller (Clear) - Part of the delivery assembly - Mounts in the fusing assembly (two used)
- 36 RB1-3109-000CN Conductive roller - 'Tire' like roller that mounts on end of pressure roller shaft (Next to drive gear) - Mounts in the fusing assembly
NO LONGER SUPPLIED
- 37 RG5-0678-000CN Fusing roller assembly - Includes heating element and teflon sleeve - For 100V/120V operation
- 38 RG5-0679-000CN Fusing roller assembly - Includes heating element and teflon sleeve - For 220V/240V operation

Spring

- 39 RB1-3108-000CN Delivery roller retaining spring - Mounts in the fusing assembly
NO LONGER SUPPLIED
- 40 RS5-2224-000CN Hook spring - Keeps fusing assembly closed
NO LONGER SUPPLIED

Labels and Transparencies**Film (Transparency)**

- 92296U LaserJet printer transparency film - A4 size (21.0cm x 29.7cm) - 50 sheets per box
- 92296T LaserJet printer transparency film - A size (8.5 x 11-inches) - 50 sheets per box

Labels and Transparencies**Labels**

92296A	LaserJet printer addressing labels - 2.54cm (1.00in) x 6.67cm (2.63in) labels - 30 per sheet - 100 sheets per box NO LONGER SUPPLIED
92296B	LaserJet printer addressing labels - 3.38cm (1.33in) x 10.2cm (4.00in) labels - 14 per sheet - 100 sheets per box NO LONGER SUPPLIED
92296C	LaserJet printer addressing labels - 2.54cm (1.00in) x 10.2cm (4.00in) labels - 20 per sheet - 100 sheets per box NO LONGER SUPPLIED
92296D	LaserJet printer addressing/shipping labels - 5.08cm (2.00in) x 10.2cm (4.00in) labels - 10 per sheet - 100 sheets per box NO LONGER SUPPLIED
92296E	LaserJet printer shipping labels - 8.47cm (3.33in) x 10.2cm (4.00in) labels - Six per sheet - 100 sheets per box NO LONGER SUPPLIED
92296F	LaserJet printer return address labels - 1.27cm (0.50in) x 4.45cm (1.75in) labels - 80 per sheet - 25 sheets per box NO LONGER SUPPLIED
92296G	LaserJet printer file folder labels - 1.69cm (0.67in) x 8.73cm (3.44in) labels - 30 per sheet - 25 sheets per box NO LONGER SUPPLIED
92296H	LaserJet printer labels for 3.5-inch diskettes - 7.00cm (2.75in) x 7.00cm (2.75in) labels - Nine per sheet - 70 sheets per box NO LONGER SUPPLIED
92296J	LaserJet printer labels for 5.25-inch diskettes - 3.81cm (1.50in) x 10.2cm (4.00in) labels - 12 per sheet - 70 sheets per box NO LONGER SUPPLIED
92296K	LaserJet printer full sheet label - A size (8.5 x 11-inches) label - One per sheet - 100 sheets per box NO LONGER SUPPLIED
92296L	LaserJet/DeskJet printer labels - 9.91cm (3.90in) x 3.81cm (1.50in) labels on A4 size (21.0cm x 29.7cm) sheet - 14 per sheet - 100 sheets per box NO LONGER SUPPLIED
92296M	LaserJet/DeskJet printer labels - 9.91cm (3.90in) x 3.38cm (1.33in) labels on A4 size (21.0cm x 29.7cm) sheet - 16 per sheet - 100 sheets per box NO LONGER SUPPLIED
92296N	LaserJet/DeskJet printer labels - 6.35cm (2.52in) x 3.81cm (1.50in) labels on A4 size (21.0cm x 29.7cm) sheet - 21 per sheet - 100 sheets per box NO LONGER SUPPLIED
92296P	LaserJet/DeskJet printer labels - 10.0cm (3.94in) x 5.10cm (2.01in) labels on A4 size (21.0cm x 29.7cm) sheet - 10 per sheet - 100 sheets per box NO LONGER SUPPLIED
92296R	LaserJet/DeskJet printer labels - 20.0cm (7.86in) x 28.9cm (11.4in) labels on A4 size (21.0cm x 29.7cm) sheet - One per sheet - 100 sheets per box NO LONGER SUPPLIED

Logic/Control Electronics**Actuator**

58	C2003-40002	Reset switch actuator NO LONGER SUPPLIED
----	-------------	---

Case

59	RG5-0700-000CN	DC controller case assembly - Includes bottom aluminum shield NO LONGER SUPPLIED
----	----------------	---

Connector

60	1252-5278	Formatter board to DC controller connector (Snap fit) NO LONGER SUPPLIED
----	-----------	---

Laser/Scanner

61	RG5-0662-140CN	Laser/scanner assembly NO LONGER SUPPLIED
----	----------------	--

Logic/Control Electronics**PC Board**

62	C2003-69003	DC controller/power supply board - For 120V, 60Hz operation NO LONGER SUPPLIED REQUIRES RETURN OF DEFECTIVE PART
	<i>RG5-0753-000CN</i>	<i>New Part for C2003-69003</i>
63	C2003-69004	DC controller/power supply board - For 240V, 50Hz operation
64	C2004-69001	Formatter (main logic) board NO LONGER SUPPLIED

Optional Interfaces**Interface (Module)**

J4101-61011	External JetDirect 300X print server module (10Base-T and 100Base-T) - Connects between printer parallel port and LAN network - Does NOT include power module - (J4101A, J4101B)
-------------	--

Interface (Product)

J2590A	External JetDirect LAN interface module with RJ-45 connector for EtherTwist (10Base-T) or 100VG/802.12 input and 3 parallel (DB-25) output connectors NO LONGER SUPPLIED
J2591A	External JetDirect LAN interface module and power module - Has EtherTwist (10Base-T) and ThinLAN (10Base-2) connectors NO LONGER SUPPLIED
J3258B	External JetDirect 170X LAN interface module - Interfaces a parallel printer to an ethernet 10Base-T (RJ-45) LAN
J3264A	External JetDirect 500X token ring interface module - Interfaces up to 3 parallel printers to a token ring (DB-9 or RJ-45) LAN
J3265A	External JetDirect 500X LAN interface module - Interfaces up to 3 parallel printers to an ethernet 10Base-T (RJ-45), 10Base2 (BNC), or 100Base-TX (RJ-45) LAN

Module

J2382-69003	External JetDirect LAN interface module with ethertwist (10Base-T) and ThinLAN (10BASE-2) connectors
J2383-61005	External token ring interface module - Has DB-9 connector
J2590-69001	External JetDirect LAN interface module with RJ-45 connector for ethertwist (10Base-T) or 100VG/802.12 input and 3 parallel (DB-25) output connectors REQUIRES RETURN OF DEFECTIVE PART
<i>J2590-61011</i>	<i>New Part for J2590-69001</i>
J2591-69001	External JetDirect LAN interface module with ethertwist (10Base-T) and ThinLAN (10BASE-2) connectors
J2592-69001	External JetDirect LAN interface module with ethertwist (10Base-T) connector REQUIRES RETURN OF DEFECTIVE PART
<i>J2592-61001</i>	<i>New Part for J2592-69001</i>
J2593-69001	External JetDirect LAN interface module with Ethertwist (10Base-T) and ThinLAN (10BASE-2) input connectors and 3 parallel (DB-25) output connectors - (part of J2593A)
J2594-69001	External JetDirect token ring interface module with DB-9 and RJ-45 input connectors and 3 parallel (DB-25) output connectors - (part of J2594A) REQUIRES RETURN OF DEFECTIVE PART
<i>J2594-61011</i>	<i>New Part for J2594-69001</i>
J3258-61011	External JetDirect LAN interface module with EtherTwist (10Base-T) connector - (J3258A, J3258B)
J4102-69011	External JetDirect LAN interface module with EtherTwist (10Base-T) connector - (J4102A, J4102B) REQUIRES RETURN OF DEFECTIVE PART
<i>J4102-61011</i>	<i>New Part for J4102-69011</i>

Module (Product)

J4101B	External JetDirect LAN interface module with EtherTwist (10Base-T/Base-TX) connector
J4102B	External JetDirect LAN interface module with EtherTwist (10Base-T) connector

Optional Interfaces**Power Cord**

8120-1351	Power cord (Mint Gray) - 17 AWG, 2.3m (7.5ft) long - Has straight (F) receptacle (For 240V in the UK, Hong Kong, Singapore, Malaysia, and Brunei)
8120-1369	Power cord (Mint Gray) - 17 AWG, 2.0m (6.6ft) long - Has straight (F) receptacle (For 240V in Australia, New Zealand, and China)
8120-1378	Power cord (Jade Gray) - 18 AWG, 2.3m (7.5ft) long - Has straight (F) receptacle (For 120V in USA, Canada, Latin America, Korea, Taiwan, Thailand, Spain, Brazil, and Vietnam)
8120-1689	Power cord (Mint Gray) - 17 AWG, 2.0m (6.6ft) long - Has straight (F) receptacle (For 220V in Europe, Bangladesh, Indonesia, Pakistan, Burma, Sri Lanka, and Vietnam)
8120-2104	Power cord (Mint Gray) - 2.0m (6.6ft) long - Has straight (F) receptacle (For 220V in Switzerland)
8120-2956	Power cord (Mint Gray) - 2.0m (6.6ft) long - Has straight (F) receptacle (For 220V in Denmark)
8120-4753	Power cord (Flint Gray) - 18 AWG, 2.3m (7.5ft) long - Has straight (F) receptacle (For 100V in Japan)
8120-6302	'Daisy chain' power cord (Dove Gray) - 18 AWG, 1.2m (4.0ft) long - Has C14 (M) plug for power input and C13 (F) plug for power output

Power Module

0950-2372	Power supply module - 100-240VAC input, 47-63Hz, requires separate AC power cord - 5VDC output, 1A, 5 watts - For J2382/83A/B
0950-3169	Wall mount power supply module - 110-127V AC 57-63Hz input - 13V DC output at 300mA (USA, Canada) - For use with the J2592A external JetDirect LAN interface module
0950-3170	Power supply module - 209-253VAC input, 47-53Hz - 13VDC output, 300mA (Europe, Israel) - For use with the J2592A external JetDirect LAN interface module
0950-3171	Power supply module - 220-240VAC input, 47-53Hz - 13VDC output, 300mA (U.K., Hong Kong) - For use with the J2592A external JetDirect LAN interface module
0950-3172	Power supply module - 240VAC input, 47-53Hz - 13VDC output, 300mA (Australia) - For use with the J2592A external JetDirect LAN interface module
0950-3348	Wall mount power supply module (MEI-AH ED12006) - 110-127VAC input, 57-63Hz - 13VDC output, 800mA, 10.4 watts (for use in the United States and Canada) - For models J2590/91/93/94A, J2964A, J3258A/B, J3263/64/65A, J3282B, J4101A/B, J4102A/B
0950-3349	Wall mount power supply module (MEI-AH ED12007) - 230VAC input, 47-53Hz - 13VDC output, 800mA, 10.4 watts (for use in Europe and Israel) - For JetDirect/infrared interface models J2590/91/93/94A, J2964A, J3258A/B, J3263/64/65A, J3282B, J4101A/B, J4102A/B
0950-3350	Wall mount power supply module (MEI-AH ED12008) - 220-240VAC input, 47-53Hz - 13VDC output, 800mA, 10.4 watts (for use in the United Kingdom) - For JetDirect/infrared interfaces J2590/91/93/94A, J2964A, J3258A/B, J3263/64/65A, J3282B, J4101A/B, J4102A/B
0950-3351	Wall mount power supply module (MEI-AH ED12009) - 220VAC input, 47-63Hz - 13VDC output, 800mA, 10.4 watts (for use in South Korea) - For JetDirect/infrared interface models J2590/91/93/94A, J2964A, J3258A/B, J3263/64/65A, J3282B, J4101A/B, J4102A/B
0950-3352	Wall mount power supply module (MEI-AH ED12010) - 100VAC input, 47-63Hz - 13VDC output, 800mA, 10.4 watts (for use in Japan) - For JetDirect/infrared interface models J2590/91/93/94A, J2964A, J3258A/B, J3263/64/65A, J3282B, J4101A/B, J4102A/B
0950-3354	Wall mount power supply module (MEI-AH ED12010) - 220-250VAC input, 47-53Hz - 13VDC output, 800mA, 10.4 watts (for use in South Africa) - For JetDirect/infrared interface models J2590/91/93/94A, J2964A, J3258A/B, J3263/64/65A, J3282B, J4101A/B, J4102A/B
9100-5176	Wall mount power supply module (Leader Electronics 48130625HK) - 200VAC input, 48-52Hz - 13VDC output, 625mA (Hong Kong) - For JetDirect Modules and Infrared Interface Models J2590/91/93/94A, J2964A, J3258A/B, J3263/64/65A, J3282B, J4101A/B, J4102A/B
0950-3350	<i>New Part for 9100-5176</i>

Other Accessories**Cartridge**

92274A	Black toner (EP) cartridge for Laserjet 4L series, 4P, 4ML, 4MP - Prints approximately 3000 pages
--------	---

Other Accessories**Manual**

C2003-90901	LaserJet 4L user's manual - With 'Help' labels (English) NO LONGER SUPPLIED
C2003-90904	LaserJet 4L user's manual - With 'Help' labels (Portuguese) NO LONGER SUPPLIED
C2003-90907	LaserJet 4L user's manual - With 'Help' labels (Turkish) NO LONGER SUPPLIED
C2003-90908	LaserJet 4L user's manual - With 'Help' labels (Polish) NO LONGER SUPPLIED
C2003-90909	LaserJet 4L user's manual - With 'Help' labels (European English) NO LONGER SUPPLIED
C2003-90910	LaserJet 4L user's manual - With 'Help' labels (German) NO LONGER SUPPLIED
C2003-90911	LaserJet 4L user's manual - With 'Help' labels (French) NO LONGER SUPPLIED
C2003-90912	LaserJet 4L user's manual - With 'Help' labels (Italian) NO LONGER SUPPLIED
C2003-90913	LaserJet 4L user's manual - With 'Help' labels (Spanish) NO LONGER SUPPLIED
C2003-90914	LaserJet 4L user's manual - With 'Help' labels (Swedish) NO LONGER SUPPLIED
C2003-90915	LaserJet 4L user's manual - With 'Help' labels (Norwegian) NO LONGER SUPPLIED
C2003-90916	LaserJet 4L user's manual - With 'Help' labels (Danish) NO LONGER SUPPLIED
C2003-90917	LaserJet 4L user's manual - With 'Help' labels (Dutch) NO LONGER SUPPLIED
C2003-90918	LaserJet 4L user's manual - With 'Help' labels (Finnish) NO LONGER SUPPLIED
C3980-91078	LaserJet 4L/4ML/4P/4MP/5P/5MP/6P/6MP combined service manual (English)
5021-8943	LaserJet quick reference guide - Volume 1 of 2 volume set
5090-3390	LaserJet quick reference guide - Volume 2 of 2 volume set

Manual Kit

5021-0377	HP-GL/2, PCL5 and PJP technical reference manual kit
-----------	--

Software

C6072-60301	HP-GL/2 driver software for AutoCAD - For DOS and Windows 3.1/95/NT 4.0 - On 3.5-inch 1.44MB floppy disks (English)
C6072-60304	HP-GL/2 driver software for AutoCAD - For DOS and Windows 3.1/95/NT 4.0 - On 3.5-inch 1.44MB floppy disks (German)
C6072-60305	HP-GL/2 driver software for AutoCAD - For DOS and Windows 3.1/95/NT 4.0 - On 3.5-inch 1.44MB floppy disks (French)
C6072-60306	HP-GL/2 driver software for AutoCAD - For DOS and Windows 3.1/95/NT 4.0 - On 3.5-inch 1.44MB floppy disks (Spanish)
C6072-60307	HP-GL/2 driver software for AutoCAD - For DOS and Windows 3.1/95/NT 4.0 - On 3.5-inch 1.44MB floppy disks (Italian)

Training Kit

C3980-67904	Self paced training kit for LaserJet 4L, 4ML, 4P, 4MP, 5P, 5MP, 6P, and 6MP - Includes service manual, NTSC format videos (VHS), and five tests - Does NOT include 'LaserJet Basics' course
C3980-67905	Self paced training kit for LaserJet 4L, 4ML, 4P, 4MP, 5P, 5MP, 6P, and 6MP - Includes service manual, PAL format videos (VHS), and five tests - Does NOT include 'LaserJet Basics' course

Other Accessories**Training Test**

- 5961-0882 Additional self paced training test - Contains 5 tests for 'LaserJet Basics'
NO LONGER SUPPLIED
- C3980-91080 Hardware training course - Student self-paced guide and test for LaserJet 4L, 4ML, 4P, 4MP, 5P, 5MP, and 6P - Used with video tape hardware training course - 20 page booklet

Other Internal Parts**Fan**

- 130 RG5-0703-000CN Fan
NO LONGER SUPPLIED

Latch

- 131 RB1-3002-040CN Top door latch bar (Spring loaded)

Lever

- 132 RG5-0672-000CN Toner cartridge lever (White)
NO LONGER SUPPLIED

Mirror

- 133 RG5-0667-000CN Beam to drum mirror assembly
NO LONGER SUPPLIED

Shield

- 134 RB1-2987-020CN High voltage shield - Has cutout for modified paper sensor arm
NO LONGER SUPPLIED

Spring

- 135 RS5-2232-000CN Compression spring - For top cover latch bar
NO LONGER SUPPLIED

Paper Path Parts**Arm**

- 136 RF5-0601-000CN Paper input sensor arm (Black)
NO LONGER SUPPLIED

Fusing Assembly

- C2003-69002 Fusing assembly (240V, 50Hz) - Bonds toner to paper by heat
NO LONGER SUPPLIED
REQUIRES RETURN OF DEFECTIVE PART

RG5-0677-000CN *New Part for C2003-69002*

Gear Assembly

- 138 RG5-0684-000CN Gear drive train plate assembly - 12 gears mounted on side plate

Guide

- 139 RB1-3142-000CN Paper size guide/stop - For universal paper cassette tray
NO LONGER SUPPLIED
- 140 RG5-0671-000CN Feeder guide assembly - Ribbed plastic plate with sensor lever
NO LONGER SUPPLIED
- 141 RG5-0702-000CN Transfer guide assembly - Metal plate in front of transfer roller
NO LONGER SUPPLIED

Motor

- 142 RG5-0765-000CN Main motor assembly - Comes with drive gear installed - Gear not available separately

Mount

- 143 RG5-0674-000CN Left mounting block - For transfer guide assembly
- 144 RG5-0675-000CN Right mounting block - For transfer guide assembly

Paper Path Parts**Pickup Assembly**

145 RG5-0668-000CN Paper pickup assembly - Includes D-shaped roller

Repair Kit

5062-4662 Repair kit - For repairing broken paper cassette side support guides - Includes two bottom guides (for the paper cassette), left side support, and instructions

Roller

147 RB1-3029-000CN Pickup roller (D-shaped) - In pickup assembly
148 RF5-0596-000CN Transfer charge roller (Black) - Behind transfer guide assembly
149 RG5-0669-000CN Front oblique roller assembly - On front left in paper feed area
NO LONGER SUPPLIED
150 RG5-0682-030CN Lower roller assembly (L-shaped) - For top cover output
151 RG5-0683-020CN Upper roller - Shaft with 4 rollers - For top cover output
152 RG5-0711-020CN Top oblique roller assembly - Top/front guide with roller on left

Solenoid

153 RH7-5092-000CN Pickup solenoid (SL1) - For Tray 1 paper pickup

Spring

154 RB1-3151-000CN Plastic side spring (clear) - Holds cassette tray in printer
NO LONGER SUPPLIED

Static Dissipater

RF5-0584-000CN Static dissipater for lower feeder guide

Tray

156 R75-0010-000CN Universal cassette tray - Adjusts for B5 to legal size paper

Power Supplies and Parts**Connector**

157 RG5-0701-000CN High voltage toner cartridge connector assembly
NO LONGER SUPPLIED

Fuse

158 VD7-0522-501CN Fuse - 2.5A, 125V max
NO LONGER SUPPLIED
159 VD7-0643-151CN Fuse - 3.15A, 250V max
160 WD1-0288-000CN Fuse - 10A, 125V max
NO LONGER SUPPLIED

PC Board

161 C2003-69003 DC controller/power supply board - For 120V, 60Hz operation
NO LONGER SUPPLIED
REQUIRES RETURN OF DEFECTIVE PART

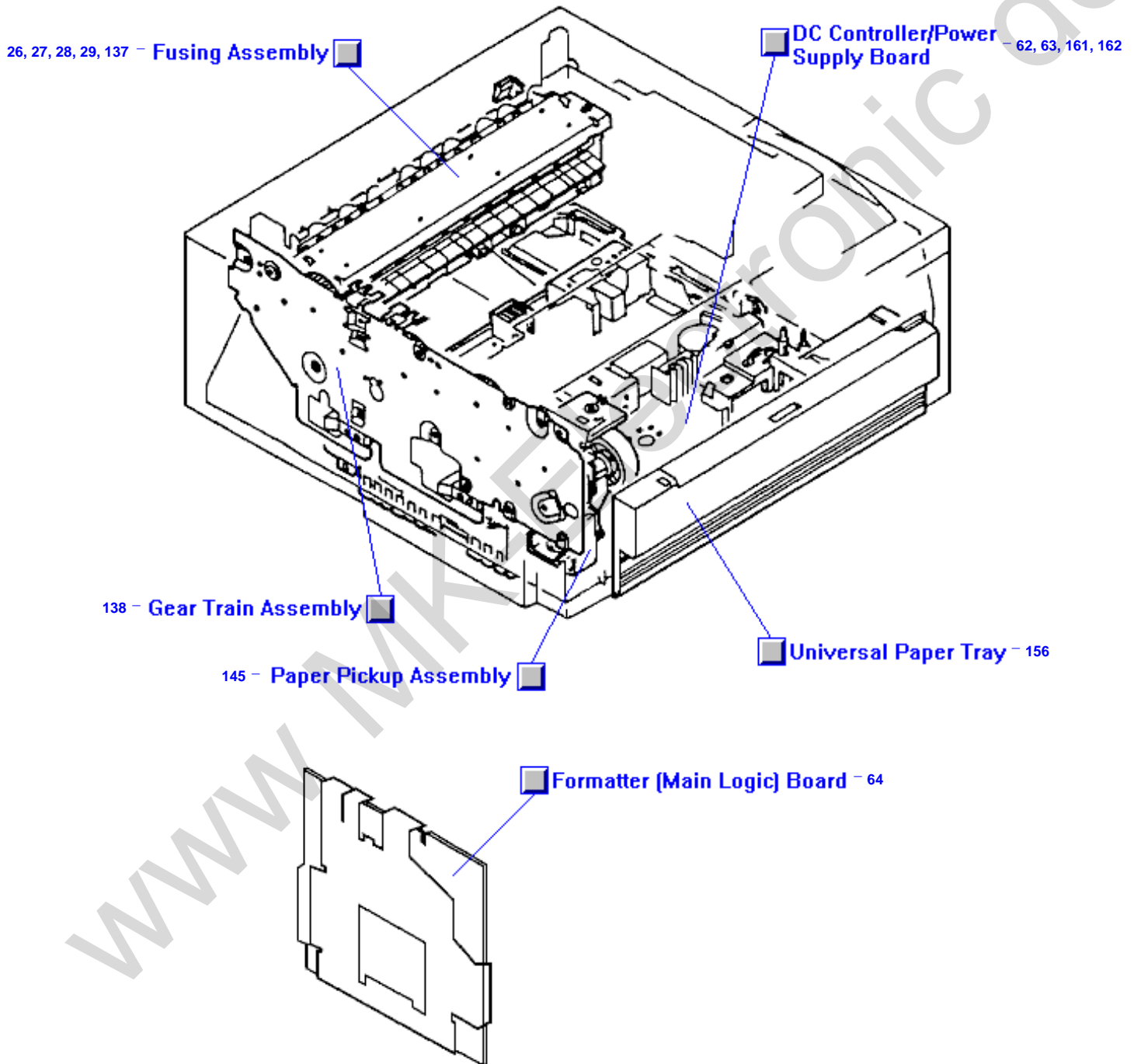
RG5-0753-000CN *New Part for C2003-69003*

162 C2003-69004 DC controller/power supply board - For 240V, 50Hz operation

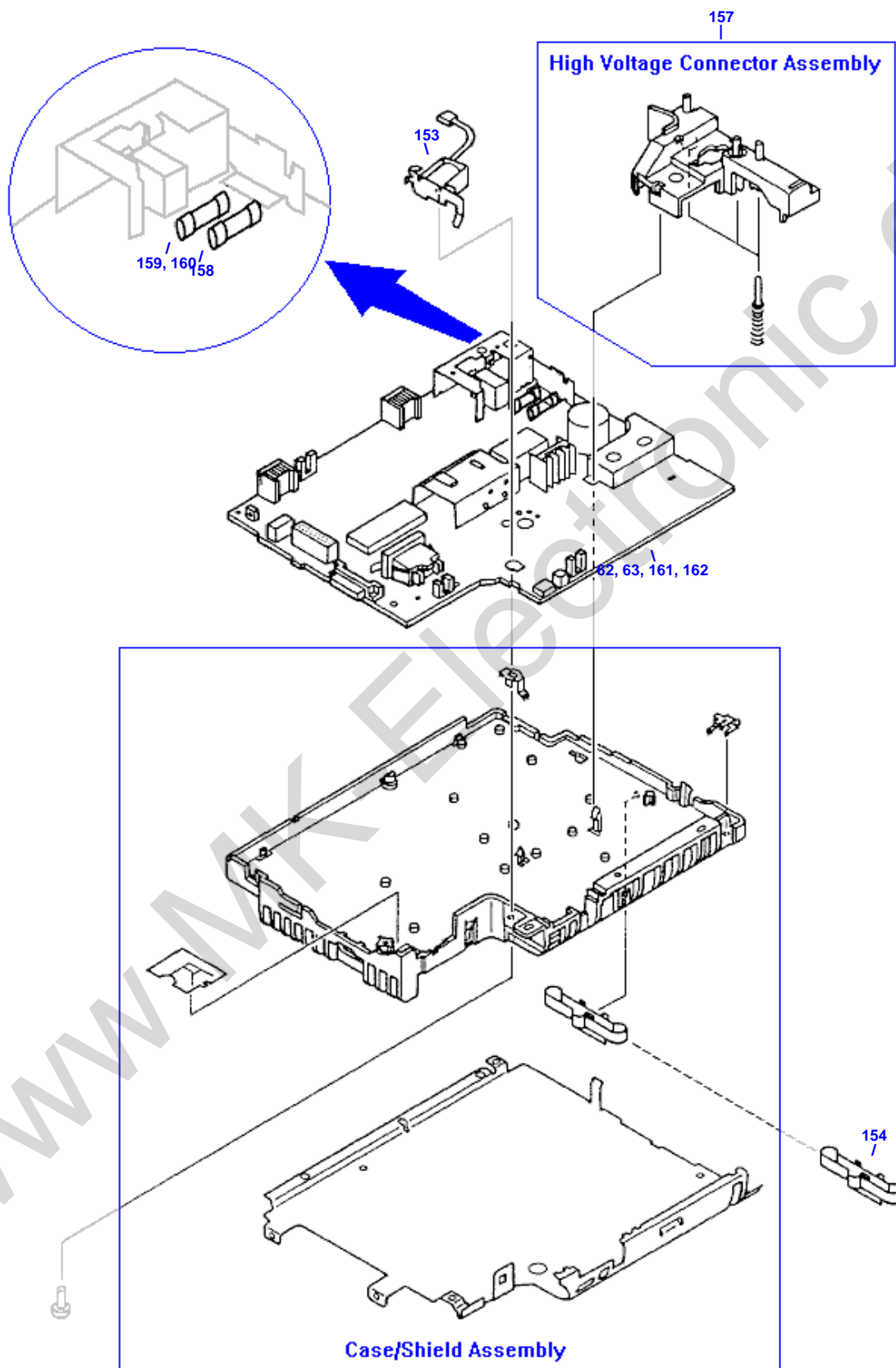
Power Cord

8120-6173 Power cord (Dove Gray) - 2.3m (7.5ft) long - Has 90 degree (F) receptacle (For 240V in the UK, Cyprus, Nigeria, Zimbabwe, and Singapore)
8120-6174 Power cord (Dove Gray) - 2.3m (7.5ft) long - Has 90 degree (F) receptacle (For 220V in Europe, Saudi Arabia, South Africa, and India)
8120-8381 Power cord (Flint Gray) - 18 AWG, 1.8m (72 in.) long - Has 90 degree (F) receptacle (For 120V in the USA, Canada, Latin America, Korea, Taiwan, and Thailand)

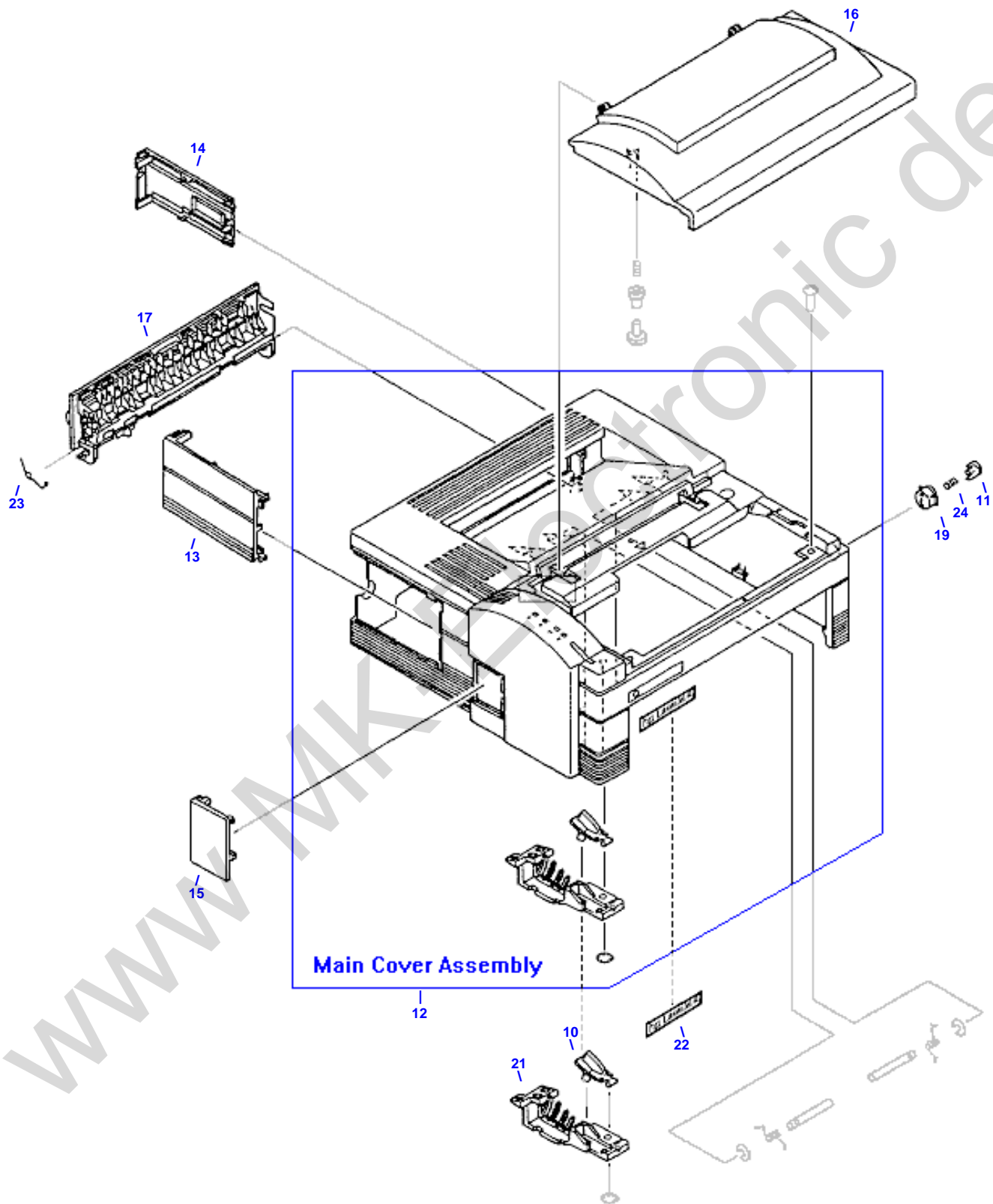
Main Assembly Locator



DC Controller/Power Supply Assembly

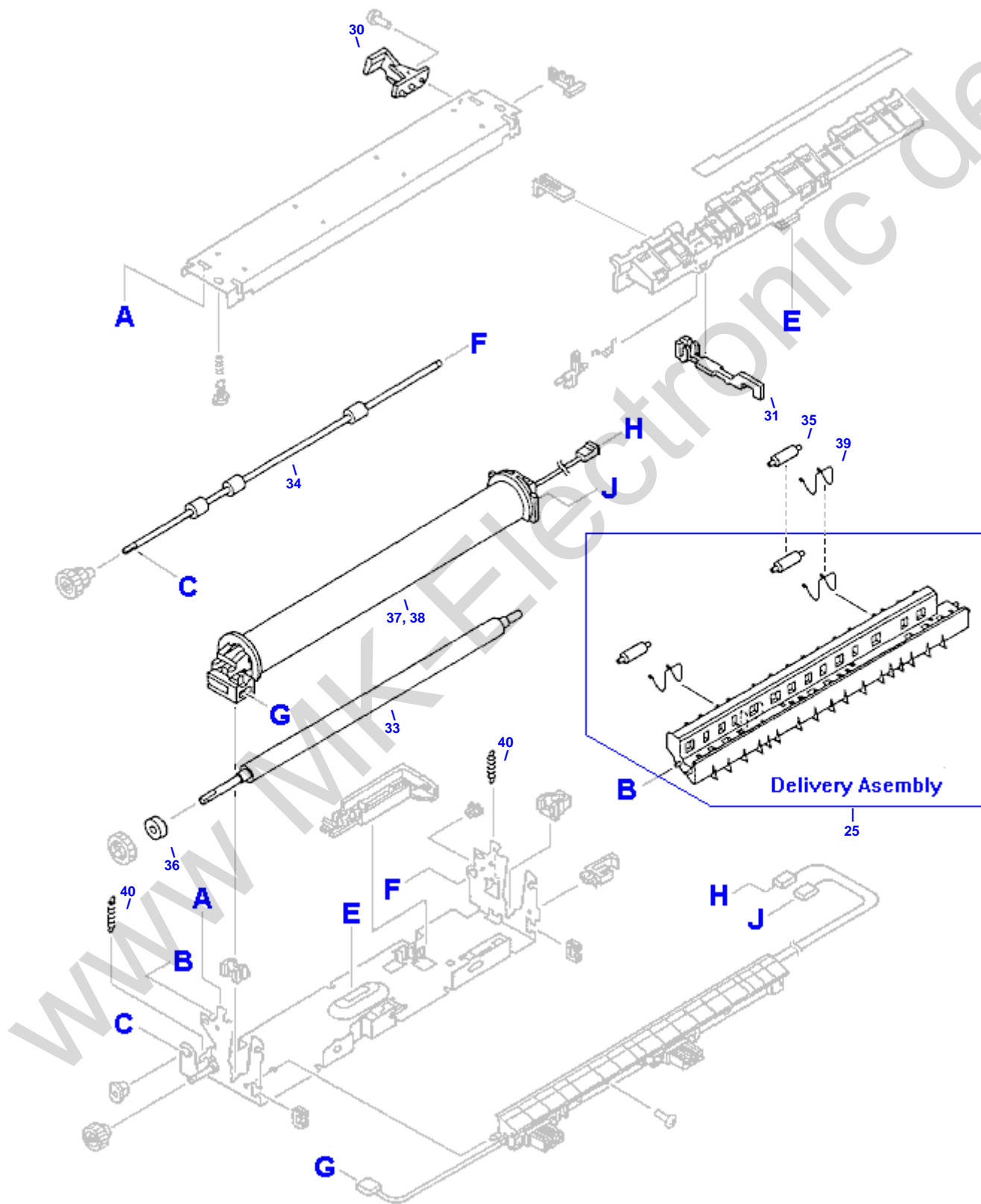


External Covers and Doors

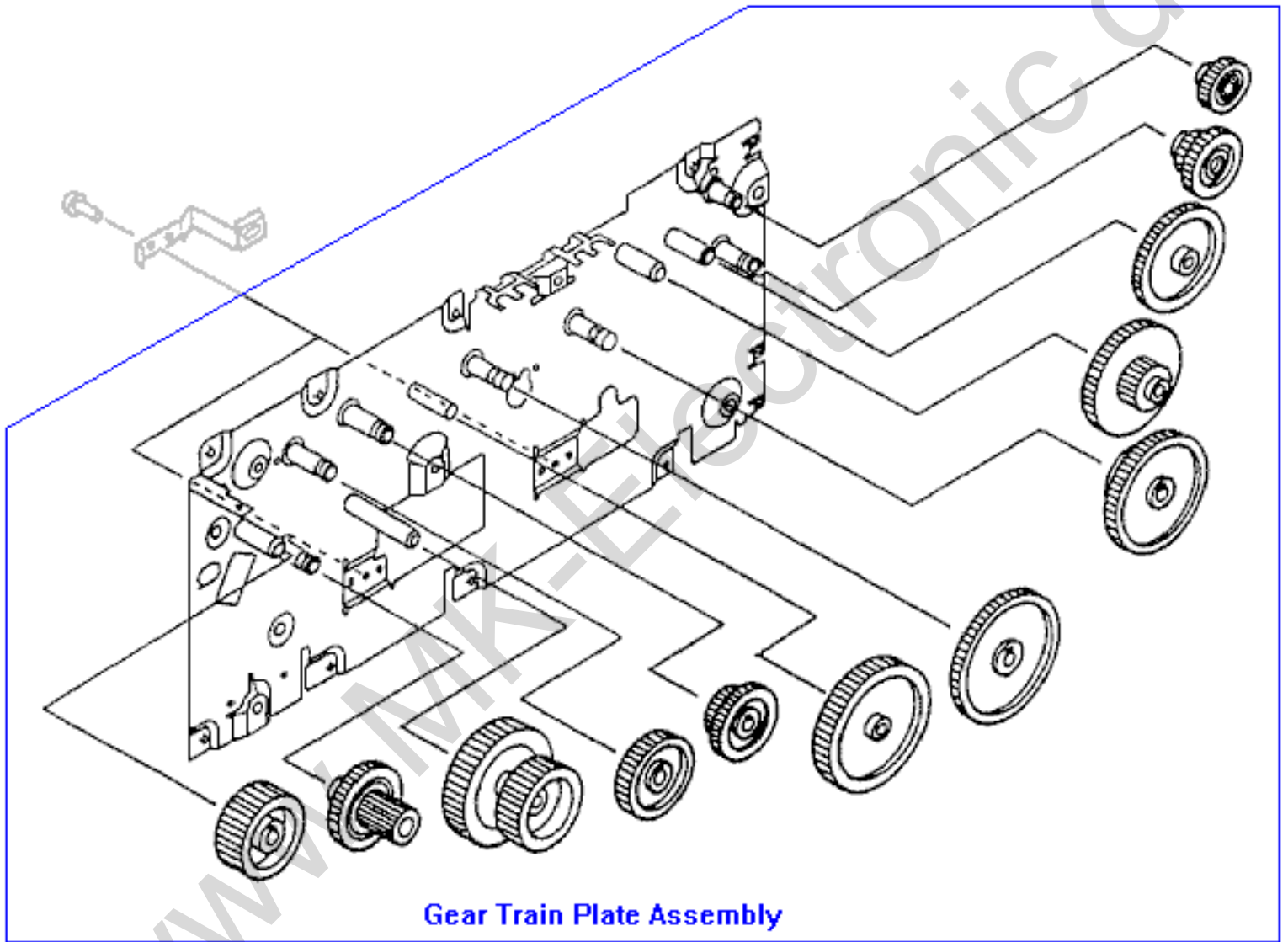


Fusing Assembly

26, 27, 28, 29, 137 - Fusing Assembly

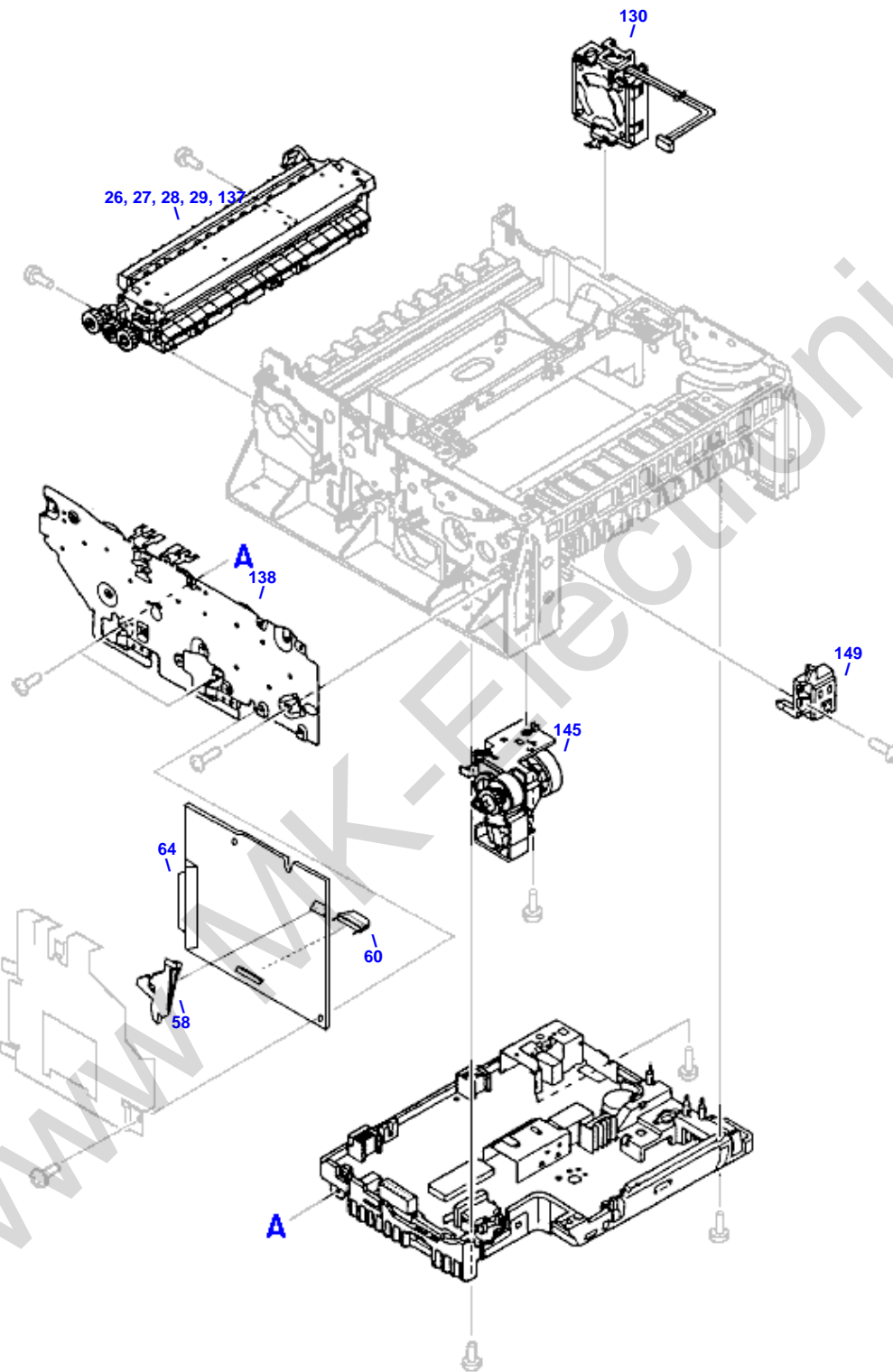


Gear Train Plate Assembly



Internal Assemblies (1 of 3)

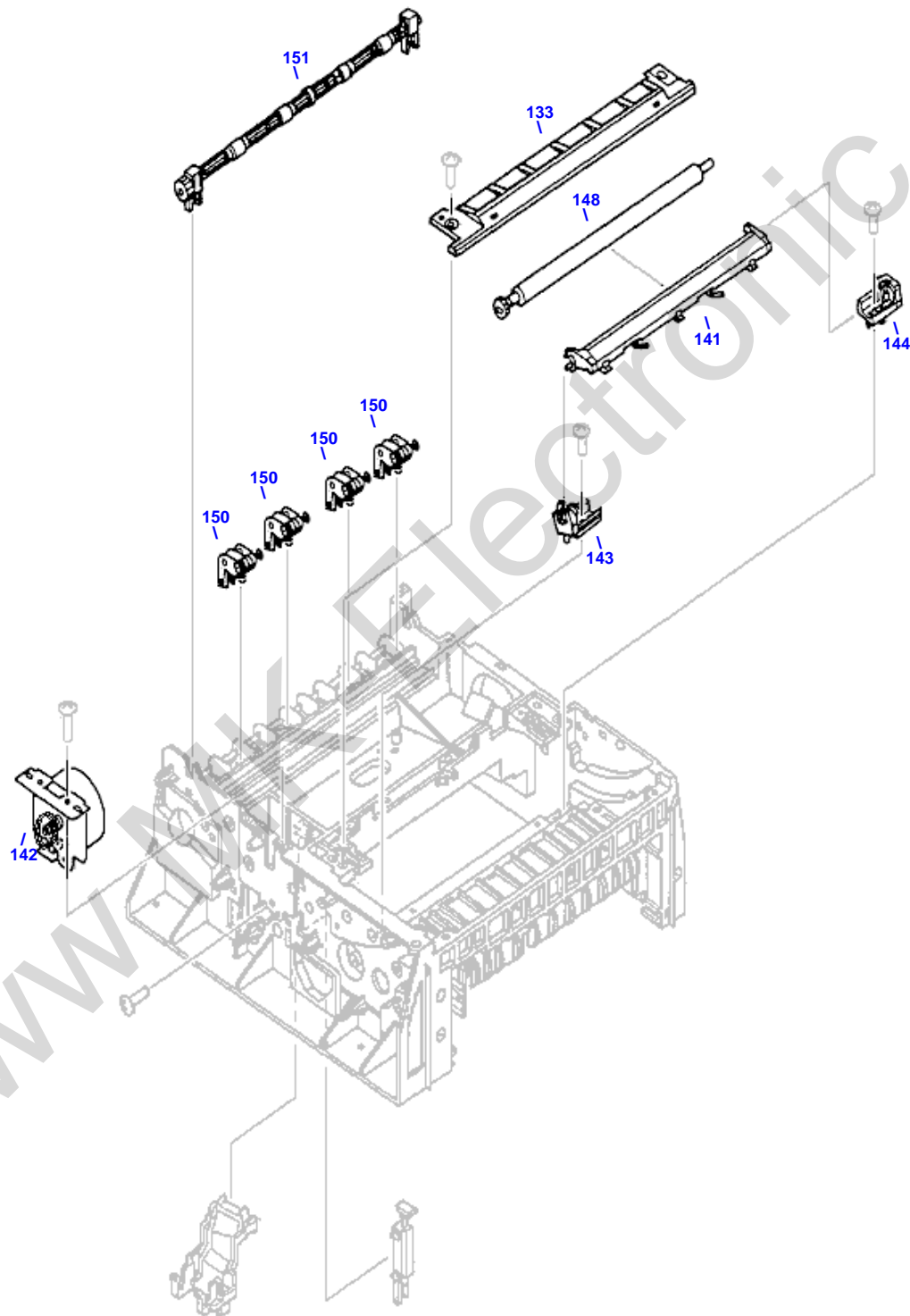
2 of 3 →



Internal Assemblies (2 of 3)

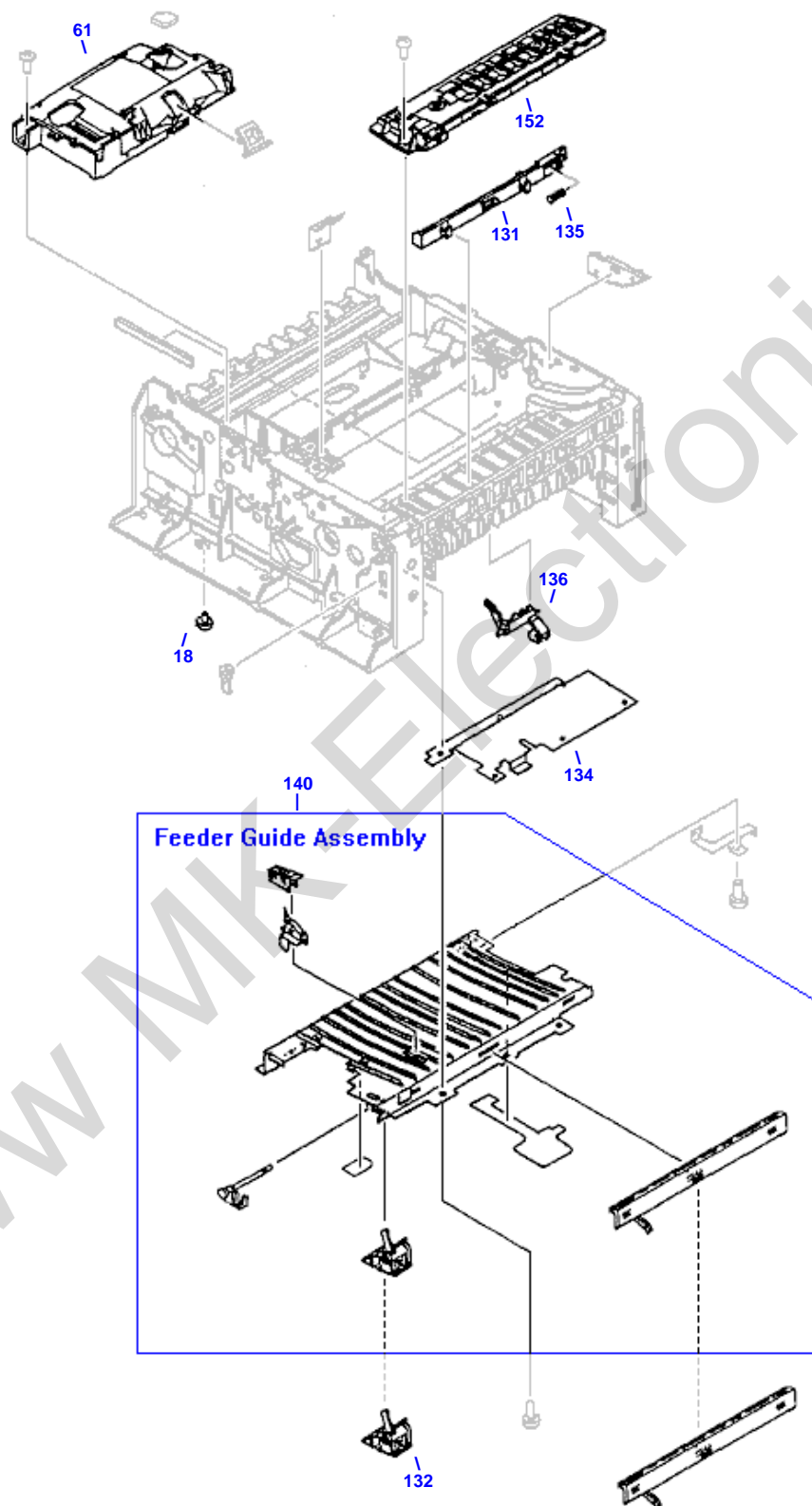
< 1 of 3

3 of 3 >

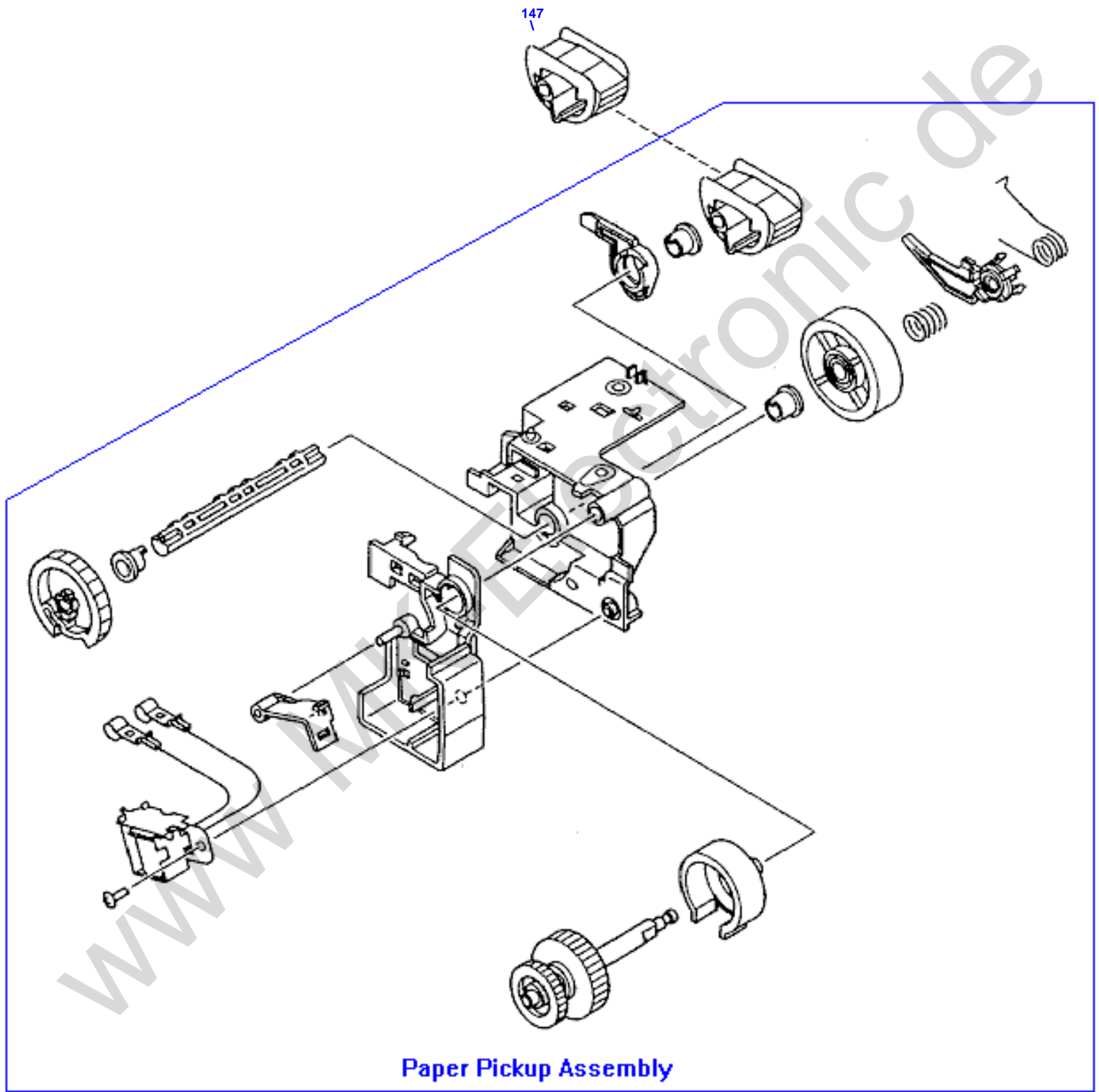


Internal Assemblies (3 of 3)

← 2 of 3



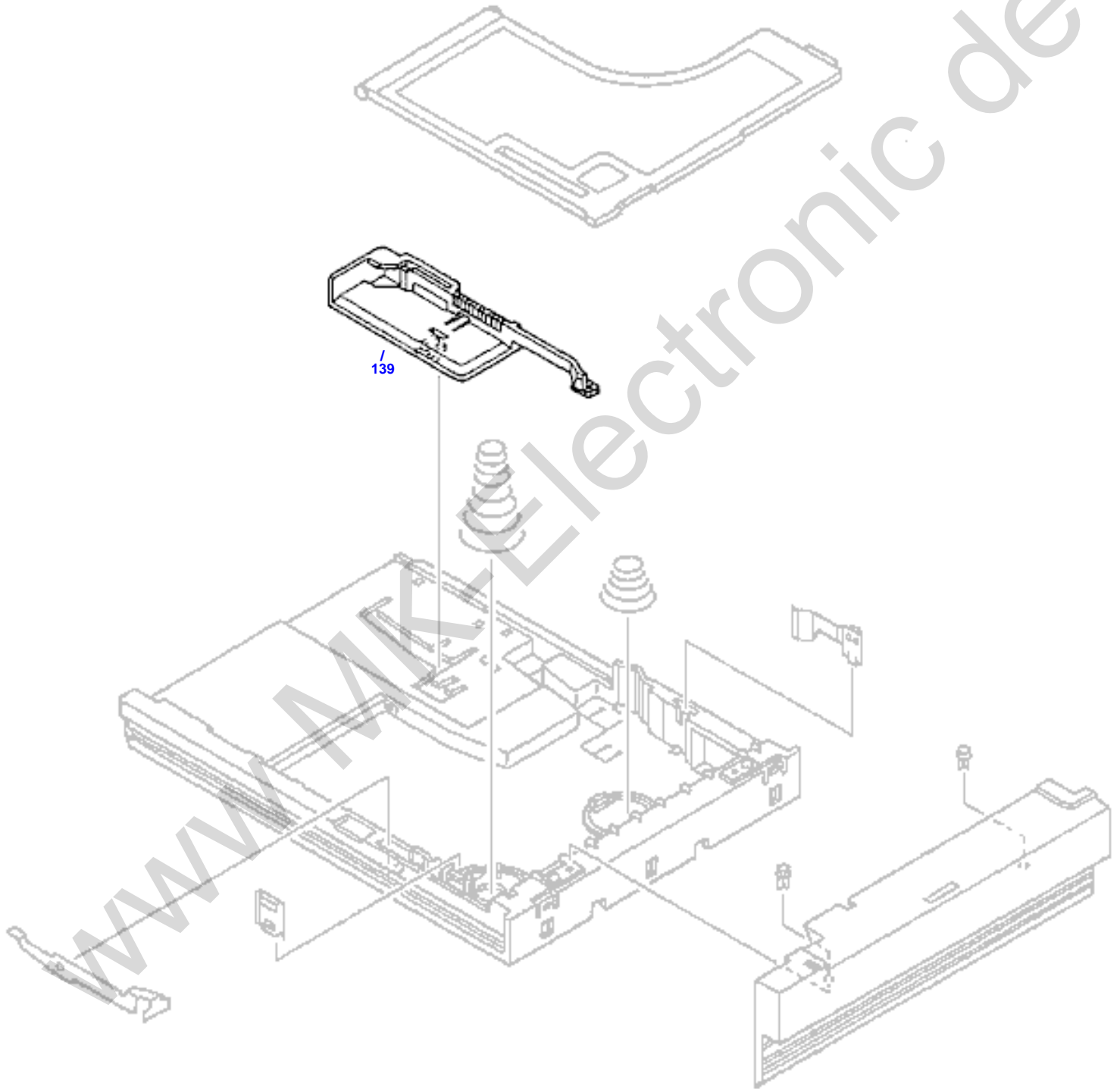
Paper Pickup Assembly



145

Universal Paper Tray

156 -  Universal Paper Tray



HP Parts Reference Guide

<http://www.hp.com/go/parts>

HP PartSurfer

<http://partsurfer.hp.com>

HP Parts Ordering Information

<http://www.hp.com/go/hpparts>

HP Parts Questions/Comments

<http://partsurfer.hp.com/contactus.htm>

www MK-Electronic.de