

# Direct Vent Designer Fireplace Systems



*624DVSTC See-Thru Direct Vent Fireplace System shown above with optional brass louvers.  
624DVSTC See-Thru Direct Vent Fireplace System shown beside with optional gold arched front,  
black door frame and gold firescreen doors.*

## 6000 Series 624DVSTC See-Thru, 624DVPFC Peninsula and 624DVCRC/624DVCLC Corner Direct Vent Fireplace Systems

### 624DVSTC See-Thru Features:

- Two fireplaces in one
- Full size 36" hearth opening and extra large viewing area
- Patented natural flame aluminized burner featuring artistically crafted ceramic fiber logs with an extra large emberbed with radiant heat-producing glowing embers
- Standard features include black louvers, cottage clay firebrick, tempered glass, 30" flexible hose with on/off valve, junction box and 15ft. of wire for wall switch
- SmartLine field-installed accessories include brass and pewter louvers; decorative arched fronts, frames and firescreen doors in gold, brushed pewter and black; and a variable speed thermostat blower
- Heat output up to 36,000 Btu
- Millivolt with on/off switch and variable flame height control or electronic ignition in natural gas or propane is standard
- Full size builder style zero clearance

- Patent Pending field convertible vent technology to vent horizontally or vertically
- Easily removable doors
- Thermal efficiency up to 80%
- Limited lifetime warranty
- CSA design certified

*Heat with  
Personality.*

**MONESSEN**  
**HEARTH SYSTEMS**

# DESIGNER SERIES



*624DVPFC Peninsula Direct Vent Fireplace System shown with optional brass louvers.*

## **624DVPFC Peninsula Features:**

- Contemporary peninsula design offers a three-sided viewing area for a dramatic way to divide a room
- Full size 36" hearth opening and extra large viewing area
- Patented natural flame aluminized burner featuring artistically crafted ceramic fiber logs with an extra large emberbed with radiant heat-producing glowing embers
- Standard features include black louvers, cottage clay firebrick, tempered glass, 30" flexible hose with on/off valve, junction box and 15ft. of wire for wall switch
- SmartLine field-installed accessories include brass louvers, pewter louvers and a variable speed thermostat blower
- Optional honey oak or cherry mantel tops, side panels and hearths
- Heat output up to 36,000 Btu
- Millivolt with on/off switch and variable flame height control or electronic ignition in natural gas or propane is standard
- Patent Pending field convertible vent technology to vent horizontally or vertically
- Full size builder style zero clearance
- Easily removable doors
- Thermal efficiency up to 80%
- Limited lifetime warranty
- CSA design certified



*624DVCRC Corner Direct Vent Fireplace System*

## **624DVCRC/624DVCLC Corner Features:**

- Stylish modern appearance enhances the look of any room; providing several options for adding a fireplace to a room with limited wall space
- Right and left corners offer maximum versatility
- Full size 36" hearth opening and extra large viewing area
- Patented natural flame aluminized burner featuring artistically crafted ceramic fiber logs with an extra large emberbed with radiant heat-producing glowing embers
- Standard features include black louvers, cottage clay firebrick, tempered glass, 30" flexible hose with on/off valve, junction box and 15ft. of wire for wall switch
- SmartLine field-installed accessories include brass louvers, pewter louvers and a variable speed thermostat blower
- Heat output up to 36,000 Btu
- Millivolt with on/off switch and variable flame height control or electronic ignition in natural gas or propane is standard
- Patent Pending field convertible vent technology to vent horizontally or vertically
- Full size builder style zero clearance
- Easily removable doors
- Thermal efficiency up to 80%
- Limited lifetime warranty
- CSA design certified

# OPTIONAL ACCESSORIES & SPECIFICATIONS

Product Specifications										
Model	Width		Height		Depth		BTU/H		Circulating	Design Certifie
	Actual	Framing	Actual	Framing	Actual	Framing	NAT	LP		
624DVSTC	44"	44-1/4"	40-15/16"	41-1/8"	23-3/4"	22-3/4"	25,000-36,000	26,000-36,000	Circulating	CSA
624DVPFC	44"	43-1/2"	40-15/16"	41-1/8"	23-3/4"	22-3/4"	25,000-36,000	26,000-36,000	Circulating	CSA
624DVC(L)/(R)C	44"	43-1/2"	40-15/16"	41-1/8"	24-1/2"	24"	25,000-36,000	26,000-36,000	Circulating	CSA

## OPTIONAL ACCESSORIES



Brass Louvers



Pewter Louvers



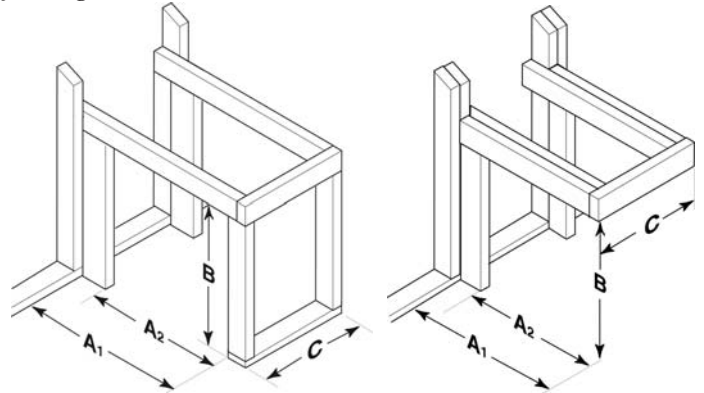
Variable Thermostat Controlled Forced Air Blower

- Medium trim kit available in black, brass and pewter (624DVSTC Only)
- Decorative arched fronts, frames and firescreen doors available in gold, brushed pewter and black (624DVSTC Only)

## Designer Direct Vent Fireplace Framing Dimensions

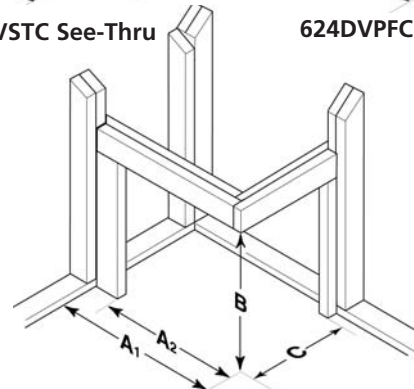
	624DVSTC		624DVPFC		624DVC(L)/(R)C	
	1/2" Drywall	5/8" Drywall	1/2" Drywall	5/8" Drywall	1/2" Drywall	5/8" Drywall
A <sub>1</sub>	44-1/4"	44-1/4"	43-1/2"	43-3/8"	43-1/2"	43-3/8"
A <sub>2</sub>	40-5/8"	40-5/8"	39-7/8"	39-3/4"	39-7/8"	39-3/4"
B	41-1/8"	41-1/8"	41-1/8"	41-1/8"	41-1/8"	41-1/8"
C	22-3/4"	22-1/2"	22-3/4"	22-1/2"	24"	23-7/8"

Please refer to the installation manual for more detailed framing instructions.



624DVSTC See-Thru

624DVPFC Peninsula



624DVC(L)/(R)C Corner

### For Remote Operation:



On/Off Remote Control with Receiver.



On/Off Remote Control with 90 min. countdown timer with Receiver.



Standard Thermostat On/Off Remote Control with Receiver.



Standard Thermostat On/Off Remote Control with 3-Speed Automatic Blower Control with Receiver.

### TOTAL SYSTEM CONTROL



7-Day Programmable Thermostat Remote Control with Receiver.



Thermostat On/Off remote control with 3-step flame height adjustment and 3-speed blower control with Receiver.



7-Day Programmable On/Off Wireless Wall Thermostat with Receiver.



Touch Light™ Table Top/Wall Mount TLM On/Off and TLT Thermostat Remote Control with Receiver.

### Warning:

- It is recommended that the screen be used during operation of this log set. Always ensure the screen has adequate spaces to allow for passage of combustion air to the gas log set.
- Correct installation of the ceramic fiber logs, proper location of the heater and periodic cleaning are necessary to avoid potential service problems with sooting.
- Keep small children and animals away from the open flame of the gas log set at all times.
- There may be a start-up odor associated with the heating of the logs. The odor should diminish in 2-3 hours of operation with the burner at its highest setting with the fan in the off position.

## MONESSEN HEARTH SYSTEMS

149 Cleveland Drive • Paris, Kentucky 40361  
www.monessenhearth.com

To avoid personal injury or property damage, the product described by this brochure must be installed, operated and maintained in strict compliance with the instructions packaged with the product and all applicable building or fire codes. Contact local building or fire officials about restrictions and installation inspection requirements. All photographs and drawings on this brochure are for illustrative purposes only and are not intended for, nor should they be used as a substitute for the instructions packaged with the unit. Appearance and specifications of the product are subject to change without notice.

© 2004 Monessen Hearth Systems, Inc.



MADE IN U.S.A.



NFI



HPBA



CERTIFIED



CERTIFIED



GAMA

### REGULATORY APPROVAL

The 6000 series is tested to ANSI Z21.88-2002/CSA 2.33-2002 standards and also approved for installation in an aftermarket manufactured (mobile) home, where not prohibited by state or local codes. Consult local building codes prior to installation. Tested to Canadian Standards Association's CSAP.4.1-02 Testing Method for Measuring Fireplace Efficiency.

Sold by: