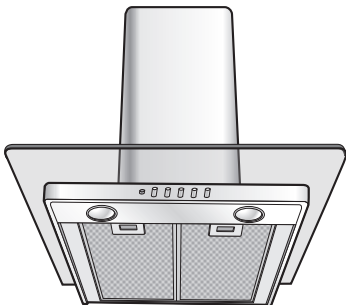


CWB 6601 X

Hood

User Manual



BEKO

Please read this user manual first!

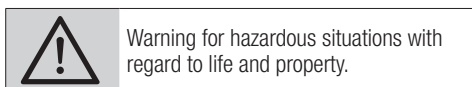
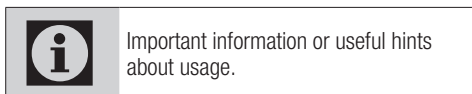
Dear Customer,

Thank you for preferring a Beko product. We hope that you get the best results from your product which has been manufactured with high quality and state-of-the-art technology. Therefore, please read this entire user manual and all other accompanying documents carefully before using the product and keep it as a reference for future use. If you handover the product to someone else, give the user manual as well. Follow all warnings and information in the user manual.

Remember that this user manual is also applicable for several other models. Differences between models will be identified in the manual.

Explanation of symbols

Throughout this user manual the following symbols are used:



Do not dispose of the packaging materials together with the domestic or other wastes. Take them to the packaging material collection points designated by the local authorities.



This product was manufactured using the latest technology in environmentally friendly conditions.

1 Important safety and environmental instructions 4

1.1 General Safety 4
 1.1.1 Electrical safety 4
 1.1.2 Product safety 4
 1.2 Intended purpose 5
 1.3 Child safety 5
 1.4 Compliance with the AEEE Directive and Disposal of Waste Products 5
 1.5 Package details 5

2 Your Hood 6

2.1 Appearance 6
 2.1.1. Controls and components 6
 2.2 Technical Specifications 6

3 Set-up 7-10

3.1 Preparation 7
 3.2 Power connection 7
 3.3 Installation of the Hood 7
 3.4 Flue Set-up 9
 3.4.1 Usage without flue connection 9
 3.4.2 Usage with flue connection 10

4 Operation of the Appliance 11

4.1 Control panel 11

5 Cleaning and Care 12-13

5.1 Aluminum filter 12
 5.2 Carbon filter (Flueless usage) 12
 5.3 Replacement of the lamp 13

1 Important safety and environmental instructions

This section contains safety instructions that will help you prevent injuries or material damages. Any warranty shall be void if you do not observe these instructions.

1.1 General Safety

- Always have the installation and repair work performed by Authorized Dealers. Manufacturing firm shall not be held responsible for damages that may be caused by unauthorized persons.
- This appliance is not intended for use by children and persons with reduced physical, sensory or mental capabilities, or lack of experience and knowledge. Children should be supervised to ensure that they do not tamper with the appliance.

1.1.1 Electrical safety

- Always unplug the appliance from the mains supply during installation, maintenance, cleaning and repair operations.
- If the power cord is faulty, it should be replaced by a qualified person certified by the manufacturer, after-sales service or similar (preferably electrician) or a person described by the importer.
- Operating voltage is 220 to 240 volts.
- Do not operate a faulty unit unless it is repaired by the authorized service! Risk of electric shock!
- Do not put power cord near cooktops. This may cause a fire as the cord may be melted.
- Do not plug in the hood before it is installed.
- To achieve the best performance, the length of the external conductor should not exceed 4 meters, it should not have more than two 90° angles and its diameter should be at least $\varnothing 120$ mm.
- Disconnect the appliance before any intervention to the internal parts of the appliance.

1.1.2 Product safety

- You may use pipes with a diameter of 120 mm or 150 mm on the flue connection of your hood.
- Do not make connections to the flues connected with stoves, exhaust shafts or flues with rising flames. Observe the rules set by authorities on the discharge of exhaust air.
- The height between the lower surface of the hood and upper surface of the stove/oven should not be less than 65 cm.
- Do not operate the hood without aluminum filters and do not remove the filters while it is operated.
- Do not touch the lamps of the hood after operating the hood for a long time. Hot lamps may burn your hand.
- Do not cause high flames under the unit. Otherwise, the oil in the oil trap filter may ignite and cause a fire.
- Operate your appliance after putting a pot, pan etc. on the hobs. Otherwise, rising heat may deform some components of your unit.
- Turn off the hobs before taking a pot, pan etc. from the hobs.
- Do not keep easily flammable materials under your hood.
- Oil may catch fire while making dishes such as fries etc. For this reason, be careful about the covers and curtains.
- Do not leave the cooktops unattended while making dishes such as fries etc.; hot oil can cause fires.
- There is a risk of fire if your hood is not cleaned in the specified periods.
- Be very careful and use gloves when you are cleaning your hood.

1 Important safety and environmental instructions

- We advise you to operate the unit a few minutes before starting to cook in order to increase the suction power. Thus, you shall have a continuous and stable suction power when the vapors occur.
- Operate your appliance for 15 minutes more after the end of cooking or frying in order to remove unpleasant smell from the air in the kitchen.
- Ensure that fresh air enters the kitchen, especially when the hood is operated together with the gas hobs.
- Ensure that the flue connection of the unit is not connected to flues used to discharge smoke caused by non-electric devices. (E.g. Radiator flues).
- If there is non-electric appliance in the same room with the hood, the negative pressure inside the room should be maximum 0.4 mbar to prevent the suction of the waste gas from the other appliance by the hood into the room again.

1.2 Intended purpose

- This appliance is intended for domestic use. It is not suitable for commercial use, and should not be used for any purposes other than the intended purpose.
- Manufacturer assumes no responsibility for any damage caused by misuse or improper transport.
- Service life of the product you have purchased is 10 years. This is the period required for availability of spare parts for functioning of the product.

1.3 Child safety

- Package materials are risky for children. Keep the package materials out of reach of the children.
- Electrical appliances are risky for children. Keep the children away from the unit when it is operated. Do not let them play with the product.

1.4 Compliance with the AEEE Directive and Disposal of Waste Products



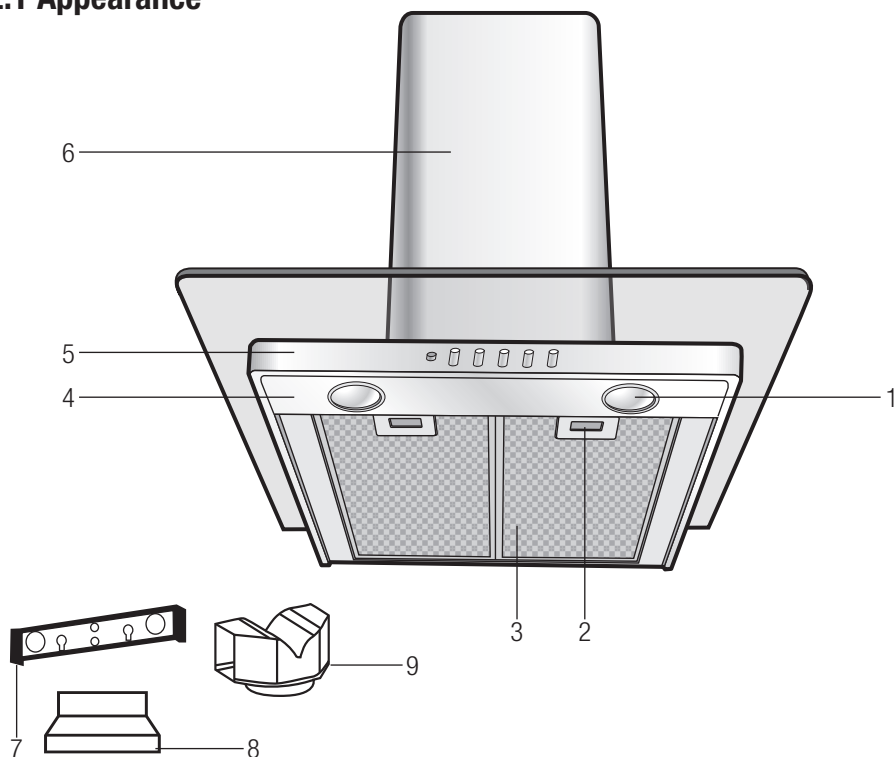
This product does not include harmful and prohibited materials specified in the "Regulation for Supervision of the Waste Electric and Electronic Appliances" issued by the Ministry of Environment and Urban Planning. It complies with AEEE Directive. This product has been produced from recyclable and reusable high quality components and materials. Therefore, do not dispose of this product with the domestic wastes or other wastes at the end of its service life. Take it to a collection center for recycling of electric and electronic appliances. You can ask for these collection centers from your local administration. Help protecting the environment and natural resources by recycling the used products.

1.5 Package details



Package of the product is made of recyclable materials as per our National Legislation. Do not dispose of the package wastes with domestic wastes or other wastes; bring it to the package collection centers specified by local authorities.

2.1 Appearance



2.1.1. Controls and components

- 1- Lamp
- 2- Aluminum filter lock
- 3- Aluminum filter
- 4- Hood body
- 5- Control panel
- 6- Flue connection element
- 7- 2 pcs of wall fittings
- 8- 1 pc of 120 mm flue connection adaptor
- 9- 1 air deflector (optional)

2.2 Technical Specifications

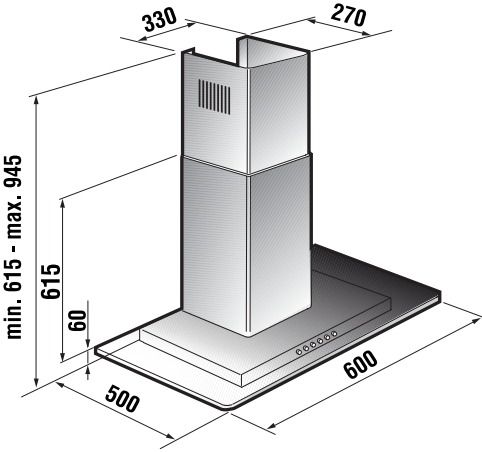
Width	600 mm
Depth	500 mm
Height	Min. 675 mm - Max. 1005 mm
Supply voltage	220 - 240 V, 50 Hz
Control	3 positions
Suction power	800 m ³ /h
Motor power	230 W
Lamp power	2X20 W
Fuse	10 A
Air outlet pipe diameter	120 - 150 mm
Net weight	10.5 kg
Gross weight	13.3 kg
Color	Inox

Markings on the product or the values stated in other documents supplied with the product are values obtained under laboratory conditions as per relevant standards. These values may vary according to the usage of the product and ambient conditions.

3 Set-up

3.1 Preparation

Information required for the preparation of the installation place for your hood is given below. (Dimensions are given in mm)



WARNING: The height between the lower surface of the hood and upper surface of the stove/oven should not be less than 65 cm.

3.2 Power connection

- This appliance is manufactured with a supply cord with 3 threads, and it should be connected to the mains supply with an electric switch that has a minimum clearance of 3 mm between the 3-pole terminals. Have a qualified electrician perform the electric connection.
- Install your unit so that you can reach the electric connection (plug, outlet) easily after installation.

3.3 Installation of the Hood

- Please consult the nearest Arçelik Authorized Service for the installation of the hood.
- Preparation of the installation place and electric wiring is the responsibility of the customer.



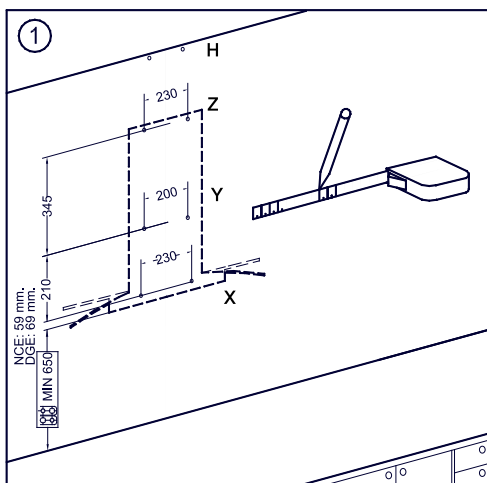
WARNING: Remove the protective film (if any) on the hood and flue surface after the installation.

- Perform the transport operations with the original package of the unit observing the markings on the package. Protect your unit against factors that may harm the package and the unit (humidity, water, impact etc.).
- Hood should be placed as aligned by the central axis of the cooking unit. The distance between the cooking unit and oil filters of the hood should be at least 65 cm.
- Perform the following steps for the installation of the hood.

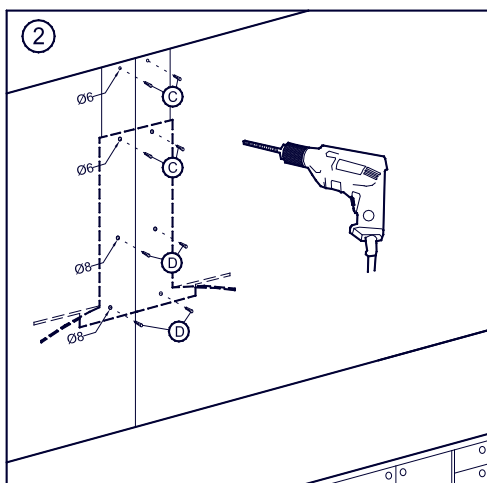
(A)		X2
(B)		Ø3.9X19 X2
(C)		Ø6X30 X4
(D)		Ø8X40 X4
(E)		Ø4X30 X4
(F)		Ø6.4X18 X2
(G)		Ø5X45 X4

3 Set-up

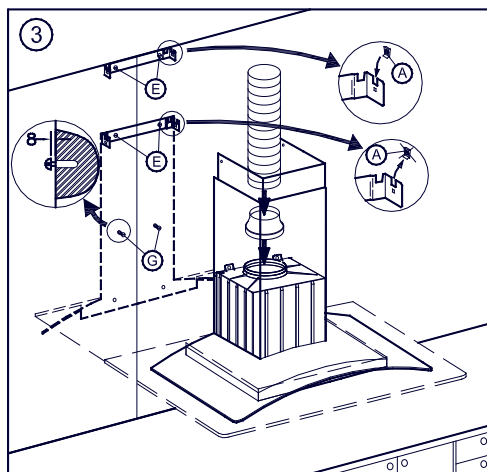
- Observe the dimensions given in Figure 1 and drill 4 \varnothing 8 mm holes for X and Y and 4 \varnothing 6 mm holes for Z and H.



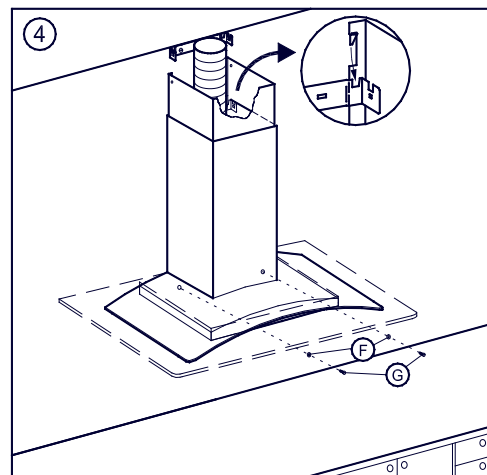
- Use the screws and dowels in the equipment of the appliance for installation of various parts.)
- Secure the bracket (Figure 2-3) to the Z and H holes on the wall.



Place the screws to the Z holes so that a clearance of 8 mm is left. (Figure 3)

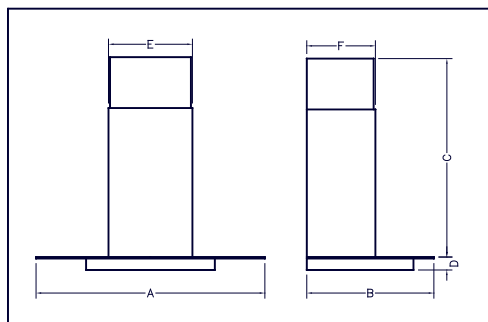
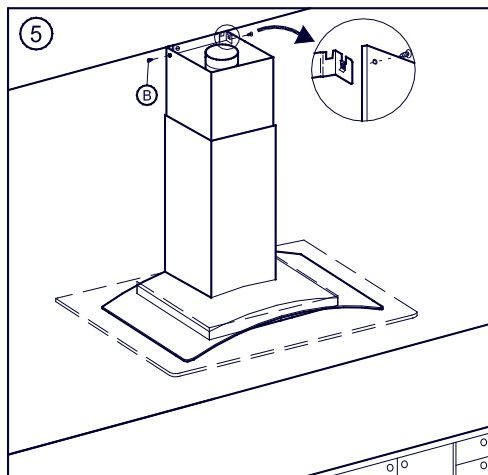


After hanging the hood to the Y holes, secure it to the wall using X holes inside the body. Tighten Y screws. (Figure 4)



3.4 Flue Set-up

1. Install 2 clamping screw seats to the left and right holes of the wall hanger.
2. Place the flue connection element freely on the body.
3. Pull the inner flue connection element upwards from the flue connection element placed over the body (Figure 4), and screw the brackets to Z and axes from left and right sides. (Figure 5)

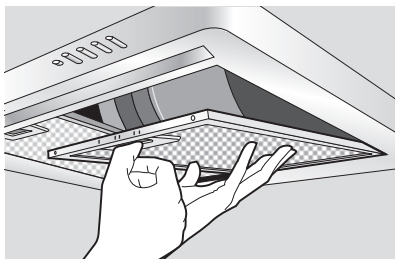


A	B	C		D	E	F
		MIN	MAX			
900/700/600	500	615	945	60	330	270

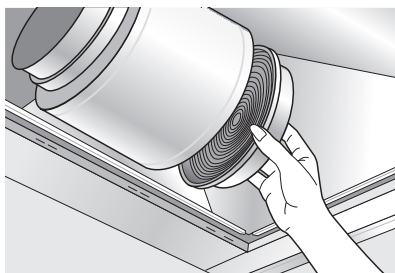
3.4.1 Usage without flue connection

Air is filtered by the carbon filter and returned to the room. Carbon filter is used when there is no flue available in the house or when it is not possible to install the flue pipe.

1. Remove the aluminum filters.



2. To install the carbon filter, center the carbon filter on the plastic part on both sides of the fan body, and secure it on the tabs.
3. Reinstall the aluminum filters.



3.4.2 Usage with flue connection

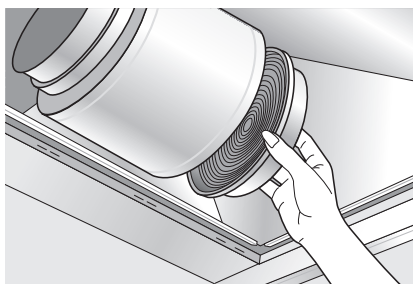
Vapors are discharged with the flue pipe secured on the connection ring on the hood. Diameter of the flue pipe should be equal to the diameter of connection ring. Pipe should be installed slightly inclined (about 10°) in horizontal layouts to allow the air to go out of the room easily.



WARNING: Carbon filter should be removed if it is installed on the hood.

1. For the installation of flue connected model, connect the hood to the outlet pipe with a rigid or flexible pipe with a diameter of 150 or 120 mm depending on the pipe selection by the installer. (Figure 3)
2. Install the flue adaptor to the hood body outlet if you would like to install with a pipe with a diameter of 120 mm.
3. Secure the pipe with suitable clamps. These items are not supplied with the unit. Remove the active carbon filters, if any (optional).

4. Install air deflector.
5. Install the active carbon filter as follows. Follow the procedure in reverse order to remove.



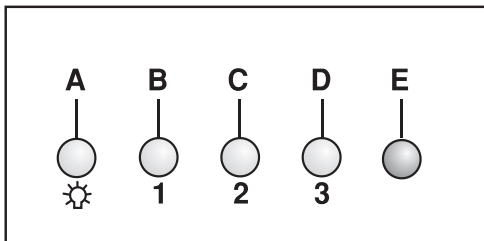
6. Install clip screw seat to the wall hanger.
7. Pull the inner flue connection element upwards from the flue connection element placed over the body (Figure 4), and screw it to the hanger from left and right sides. (Figure 5)



WARNING: In case of failure to perform cleaning and maintenance of oil filters regularly and when the carbon filter reaches its service life (about 4 months), there is the possibility of causing fire by them.

4 Operation of the Appliance

4.1 Control panel



A- Turning the lamp on/off

B- Speed 1

C- Speed 2

D- Speed 3

E- Warning light

Red warning light on the front panel is illuminated continuously when the motor is activated.

4.2 Operating the Hood

- Hood is equipped with a motor with various speed settings. For a better performance, we advise you to use low speeds in normal conditions, and high speeds when smell and vapors are intensified.

1. Press any of the speed setting buttons (B, C, D) to operate the hood in the required speed.
2. You can illuminate the cooking area by pressing button A.
3. Press the speed setting button you pressed before again to turn off the hood.

5 Cleaning and Care

Prior to maintenance, unplug the appliance or turn the main switch off or loosen the fuse that supplies the hood or turn it off.

Clean your stainless steel hood with cleaning agents specifically produced for this material.



WARNING: Never use rubbing materials (wire wool) or abrasive materials (brushes, the harder side of the scouring sponge etc.).



WARNING: Sterilizers, products made of carbon steel or similar material containing chloride may cause black stains, corrosion or permanent marks when they contact with stainless steel.

5.1 Aluminum filter

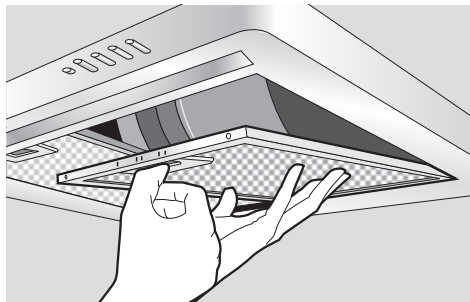
This filter is intended to retain the oil particles in the air. You are recommended to clean your filter every month under normal usage conditions.

1. Push the aluminum filter lock forward.

Note

- You can wash your aluminum filters in dishwasher also.
- A discoloration may be observed on aluminum filters as they are washed. This is normal, you do not need to replace your filter.

2. Then, slightly lower it and pull forward. Otherwise, you may bend the filter.



3. Wash the filters with liquid detergent and then rinse them with water.
4. When the filters are dried, re-install the filter in the reverse order of the above procedure.

5.2 Carbon filter (Flueless usage)

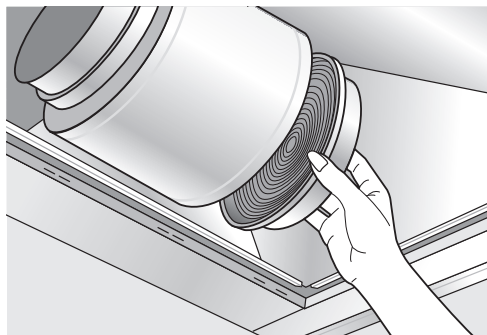
This filter removes the cooking odours.



WARNING: Carbon filter should never be washed. It should be replaced every 4 months under normal usage.

You can procure carbon filter from Arçelik Authorized Dealers.

1. Remove the aluminum filters.
2. Take the carbon filter out from its seat by pulling it out.



3. Install the new carbon filter.
4. Install the aluminum filters.

Use a soft cloth soaked with liquid detergent to clean the outer surface of your hood.



WARNING: Never use abrasive or scratching materials for cleaning.



WARNING: You may cause a fire if you do not follow the instructions on the cleaning and replacement of the filters of your hood.

5.3 Replacement of the lamp

2 pieces of 20 W halogen lamps are used in your hood. Prior to replacement of lamp, unplug the appliance or turn the main switch off or loosen the fuse that supplies the hood or turn it off. To remove the holder of the halogen lamp, take the lamp holder out by rotating it counterclockwise. Be careful not to drop the lamp holder during this operation. After replacing the lamp, install the lamp holder by rotating it clockwise following the reverse order of the removal procedure. We advise you to install the new lamp with a piece of cloth or gloves. Contacting halogen lamps with bare hands will reduce their service life.

Note:

- You may procure lamps from Authorized Dealers.

If you need to transport the unit:

- Keep original package. Transport the unit with its original package, and follow the transport markings on the original package.

If you do not have the original package:

- Do not put heavy objects on the hood.
- Protect the outer surface from impacts.
- Pack the unit so that it would not be damaged during transport.



Beko Manufacturers Guarantee

Congratulations on purchasing a quality Beko product. Beko automatically provide you with a 2 year Manufacturers Guarantee, covering parts and labour for servicing within the geographical limits of Australia and New Zealand.

General Terms and Conditions

For Australian Consumers

This guarantee is an extra benefit and does not affect your legal rights. Our goods come with guarantees that cannot be excluded under the Australian Consumer Law. You are entitled to a replacement or refund for a major failure and for compensation for any other reasonably foreseeable loss or damage. You are also entitled to have the goods repaired or replaced if the goods fail to be of acceptable quality and the failure does not amount to a major failure.

For New Zealand Consumers

This guarantee is an extra benefit and does not affect your legal rights. Nothing in this guarantee purports to modify or exclude the conditions, guarantees and undertakings, and other legal rights, under the New Zealand Consumer Guarantees Act and other laws, except in those circumstances contemplated by section 43(2) of the New Zealand Consumer Guarantees Act.

Beko Guarantee

The Beko Manufacturers' Guarantee provides additional protection for your Beko Product, and it identifies a preferred approach to resolving product claims which will allow for a quick and simple process for all parties, subject to our terms and conditions below.

To enable us to assist you in the most expedient way please contact us by phoning the Toll free number (relative to your country of residence) as listed below. Please ensure you refer to your user manual and in particular the section headed "***Recommended Solutions for the problems***" before phoning.

The commencement date of this guarantee starts on the day of purchase and proof of purchase must be supplied to the Beko Service Centre prior to commencement of any guarantee work.

Terms and Conditions

Beko Australia and New Zealand Pty Ltd guarantees to the original purchaser to repair, or at its option replace, without charge to the owner for any part which is not of 'acceptable quality' within two years of date of purchase.

"No Lemon Guarantee" * if the product fails more than 2 times during the Guarantee period due to the same type failure caused by the same part, we will automatically replace the product with an equivalent product free of charge.

Food Spoilage*

If your product is a fridge or freezer, we will reimburse you for food which due to a valid fault as per our guarantee is spoiled; reimburse you as per the benefits below:

Up to 200 Litre	\$100.00
>200 Litre - 400 Litre	\$200.00
>400 Litre - 600 Litre	\$300.00
>600 litre	\$350.00

* Subject to a valid claim under the terms and conditions of this Guarantee

To be eligible for this Guarantee the product must be purchased from an Authorised Reseller in Australia or New Zealand.

What is not covered under this Guarantee

1. Any service calls in which the problem is found not to be caused or related to any defect in the Product. In this instance, the cost of the service call will be charged to you. Examples (but not limited too) of no product fault listed below:
 - a. Correcting the installation, e.g. levelling of product, adjustment of drain crossed or kinked hoses, leakage of hoses if incorrectly fitted, removal of transit bolts (front loading washers), noises due to water hammer and/or power supplies.
 - b. Replacing fuses or correcting house power wiring or house plumbing issues.
 - c. Failure due to incorrect set up or requiring instructions normally covered in user manual.
 - d. Blocked pumps, removal of foreign objects/substances from the washing machine, e.g. socks, bra wires, dirt etc.
 - e. Normal noise or vibration
 - f. Infestation of pests, insects or vermin

2. This Guarantee does not cover damage caused by:
 - a. Misuse or abuse of the Beko Product
 - b. Accidental damage of any kind
 - c. Rust and Corrosion where the product is located within a corrosive environment
 - d. Discolouration of burners or trivets on gas cooktops or chrome surrounds
 - e. Incorrect operation or not following the operation instructions as stated in the user manual.
 - f. Improper installation
 - g. Failure to clean or improper cleaning
 - h. Use of incorrect non – compliant electrical or gas connections
 - i. External sources including but not limited to electrical interference, power surges or voltage fluctuations.
 - j. Any loss caused by civil commotion
 - k. Any loss caused from extreme events of nature including but not limited to, flood, cyclone, severe storm and earthquake
 - l. Use of non genuine/authorised parts
 - m. Any repair or other work carried out on the Beko product other than by an Authorised Beko Service Personnel.

3. This Guarantee does not cover costs associated with replacing and servicing of consumable parts. E.g. lamps & bulbs, filters

This Guarantee has been designed for Products used in normal domestic environment. Our products are not designed for commercial use. Any commercial use may affect this Product's Guarantee.

Service under this Manufacturer's Guarantee is provided by the Beko Australia and New Zealand Authorised Repairer.

The Guarantee is provided by Beko Australia and New Zealand Pty Ltd (ABN: 49 152 055 162) of 55 Blanck Street, Ormeau, QLD Australia 4208, P O Box 354 Ormeau QLD Australia 4208.

In Australia if you need assistance.... Toll Free 1300 282 356

Email: Beko.care@Beko.com

In New Zealand if you need assistance.... Toll Free 0800 69 2356

Email: Beko.care@Beko.com

