



HEARTH PRODUCTS

RETAIN THESE INSTRUCTIONS
FOR FUTURE REFERENCE

This appliance may be installed in an aftermarket permanently located, manufactured home (USA only) or mobile home, where not prohibited by local codes. This appliance is only for use with the type of gas indicated on the rating plate. This appliance is not convertible for use with other gases, unless a certified kit is used.

WARNING: IF THE INFORMATION IN THIS MANUAL IS NOT FOLLOWED EXACTLY, A FIRE OR EXPLOSION MAY RESULT CAUSING PROPERTY DAMAGE, PERSONAL INJURY OR LOSS OF LIFE.

FOR YOUR SAFETY: Do not store or use gasoline or other flammables or liquids in the vicinity of this or any other appliance.

FOR YOUR SAFETY: What to do if you smell gas:

- DO NOT light any appliance.
- DO NOT touch any electrical switches.
- Do not use any phone in your building.
- Immediately call your gas supplier from a neighbor's phone. Follow your gas suppliers instructions.
- If your gas supplier cannot be reached, call the fire department.

Installation and service must be performed by a qualified installer, service agency or the gas supplier.



OTL Report No. 116-F-36-5

INSTALLATION INSTRUCTIONS

B-VENT MPB-33/35/40/45 SERIES

B-VENT GAS FIREPLACES

P/N 850,033M REV. B 05/2006

MODELS

Millivolt Models

MPB3328CNM	MPB3530CPM
MPB3328CPM	MPB4035CNM
MPB3530CNM	MPB4540CNM

Electronic Models

MPB3328CNE	MPB4035CNE
MPB3530CNE	MPB4540CNE

A French manual is available upon request. Order P/N 850,033CF

Ce manuel d'installation est disponible en français, simplement en faire la demande. Numéro de la pièce 850,033CF.

AVERTISSEMENT: ASSUREZ-VOUS DE BIEN SUIVRE LES INSTRUCTIONS DONNÉ DANS CETTE NOTICE POUR RÉDUIRE AU MINIMUM LE RISQUE D'INCENDIE OU POUR ÉVITER TOUT DOMMAGE MATÉRIEL, TOUTE BLESSURE OU LA MORT.

POUR VOTRE SÉCURITÉ: Ne pas entreposer ni utiliser d'essence ni d'autre vapeurs ou liquides inflammables dans le voisinage de cet appareil ou de tout autre appareil.

POUR VOTRE SÉCURITÉ: Que faire si vous sentez une odeur de gaz:

- Ne pas tenter d'allumer d'appareil.
- Ne touchez à aucun interrupteur. Ne pas vous servir des téléphones se trouvant dans le bâtiment où vous vous trouvez.
- Evacuez la pièce, le bâtiment ou la zone.
- Appelez immédiatement votre fournisseur de gaz depuis un voisin. Suivez les instructions du fournisseur.
- Si vous ne pouvez rejoindre le fournisseur de gaz, appelez le service des incendies.

L'installation et service doit être exécuté par un qualifié installateur, agence de service ou le fournisseur de gaz.

TABLE OF CONTENTS

Packaging	Page 2
Introduction	Page 2
General Information	Page 2
Location	Page 4
Appliance Clearances	Page 4
Fireplace Specifications.....	Page 5
Gas Vent Rule	Page 5
Framing Specifications.....	Page 6
Typical Installation Sequence	Page 6
Installing The Fireplace	Page 7
Vent System Installation	Page 8
Field Wiring.....	Page 8
Connecting Gas Line	Page 10
Outside Air Kit Installation.....	Page 10
Installing Logs	Page 11
Appliance Operation.....	Page 16
Millivolt Appliance Checkout	Page 16
Electronic Appliance Checkout.....	Page 16
Installing Glass Door.....	Page 16
Burner Adjustments	Page 17
Spillage Test.....	Page 17
Manual Limit Switch	Page 17
Hood Installation.....	Page 17
Finishing Requirements	Page 18
Cold Climate Insulation	Page 18
Installation Accessories	Page 18
Gas Conversion Kits	Page 19

This installation manual will help you obtain a safe, efficient, dependable installation for your appliance and vent system.

Please read and understand these instructions before beginning your installation.



PACKAGING LIST

The assembled vented gas fireplace is packaged with:

- 1 - One log set located in firebox area.
- 2 - One envelope containing the literature package which consists of the homeowner's manual, installation instructions, log set supplement and warranty; envelope is located in the control area.
- 3 - One hood located behind the top panel.
- 4 - One bag of decorative volcanic stone located in the control area.
- 5 - One bag of glowing embers (rockwool) located in the control area.

INTRODUCTION

These vented gas fireplaces are designed to operate on either natural or propane gas. They must be installed with approved type-B, double wall vent pipe systems routed to the outside atmosphere.

The Millivolt appliances have a millivolt gas control valve with piezo ignition system provides safe, efficient operation. If any optional accessories which require electrical power are being installed, the electrical power must be provided at the time of appliance installation.

The Electronic appliances have an electronic intermittent pilot ignition system provides safe, efficient operation. External electrical power is required to operate these units.

These appliances comply with National Safety Standards and are tested and listed by OMNI-Test Laboratories, Inc. (Report No. 116-F-36-5) to ANSI Z21.50 (in Canada, CSA 2.22), and CAN/CGA-2.17-M91 in both USA and Canada, as vented gas fireplaces.

Misc. Codes / Standards -

The Installation must conform to local codes or, in the absence of local codes, with the National Fuel Gas Code, ANSI Z223.1/NFPA 54 - latest edition, or the Natural Gas and Propane Installation Code, CSA B149.1 - latest edition.

The appliance, when installed, must be electrically grounded in accordance with local codes or, in the absence of local codes, with the National Electrical Code, ANSI/NFPA 70 - latest edition, or the Canadian Electrical Code, CSA C22.1 - latest edition.

DO NOT ATTEMPT TO ALTER OR MODIFY THE CONSTRUCTION OF THE APPLIANCE OR ITS COMPONENTS. ANY MODIFICATION OR ALTERATION MAY VOID THE WARRANTY, CERTIFICATION AND LISTINGS OF THIS UNIT.

WARNING

Improper installation, adjustment, alteration, service or maintenance can cause injury or property damage. Refer to this manual. For assistance or additional information consult a qualified installer, service agency or the gas supplier.

NEW YORK CITY, NY AND MASSACHUSETTS REQUIREMENTS

These appliances are approved for installation in the following USA locations listed in the following:

Massachusetts -

Installation of these fireplaces are approved for installation in the US state of Massachusetts if the following additional requirements are met -

- Installation and repair must be done by a plumber or gas fitter licensed in the Commonwealth of Massachusetts.
- The flexible gas line connector used shall not exceed 36 inches (92 centimeters) in length.
- The individual manual shut-off must be a T-handle type valve.

New York City, New York -

Installation of these fireplaces are approved for installation in New York City in the US state of New York (approval no. MEA 417-05-E), if the following additional requirements are met -

- An outside air kit (FOAK-4 or FOAK-4LD) must be installed. See **Figure 1a** and **Page 18** for ordering information.

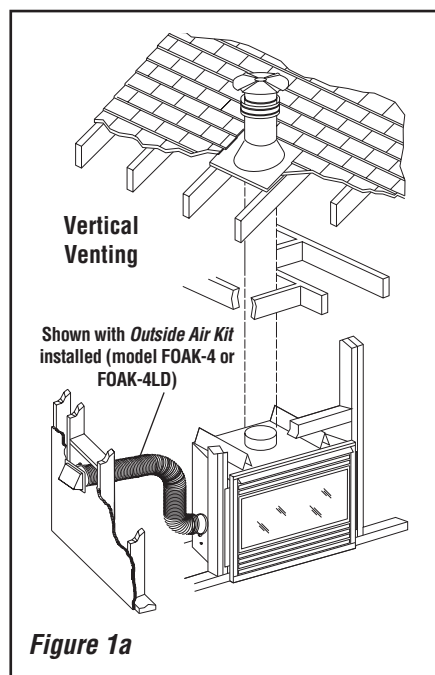
GENERAL INFORMATION

Note: Installation and repair should be performed by a qualified service person. The appliance should be inspected annually by a qualified professional service technician. More frequent inspections and cleanings may be required due to excessive lint from carpeting, bedding material, etc.

It is imperative that the control compartment, burners and circulating air passageways of the appliance be kept clean.

S'assurer que le brûleur et le compartiment des commandes sont propres. Voir les instructions d'installation et d'utilisation qui accompagnent l'appareil.

Provide adequate clearances around air openings and adequate accessibility clearance for service and proper operation. Never obstruct the front openings of the appliance.



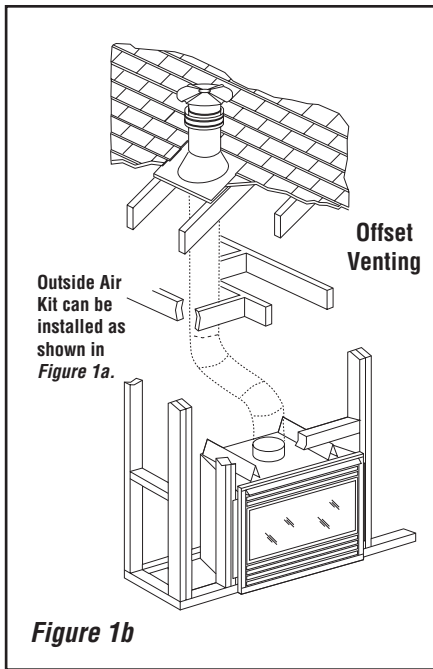


Figure 1b

! WARNING

These fireplaces are vented decorative gas appliances. Do not burn wood or other material in these appliances.

These appliances are designed to operate on natural or propane gas only.

Millivolt Models -

Millivolt models come standard with the manually-modulated gas valve; flame appearance and heat output can be controlled at the gas valve.

Input of millivolt models is shown in **Table 1:**

Millivolt Models with Manually-Modulated Gas Valve		
	Natural Gas	Propane Gas
Model	Input Rate (BTU/HR)	Input Rate (BTU/HR)
MPB3328	13,500 to 17,500	13,500 to 17,500
MPB3530	16,000 to 20,000	16,500 to 20,000
MPB4035	24,000 to 30,000	22,300 to 28,000
MPB4540	24,750 to 31,000	23,000 to 29,000

Table 1

Electronic Models -

Electronic models have a fixed rate gas valve. Input of electronic models is shown in **Table 2:**

Electronic Models with Fixed-Rate Gas Valve		
	Natural Gas	Propane Gas
Model	Input Rate (BTU/HR)	Input Rate (BTU/HR)
MPB3328	17,500	17,500
MPB3530	20,000	20,000
MPB4035	30,000	28,000
MPB4540	31,000	29,000

Table 2

All Models -

Maximum manifold pressure is 3.5 in. w.c. (0.87 kPa) for natural gas and 10 in. w.c. (2.49 kPa) for LP/Propane gas.

Installations at Altitudes of 0 to 4500 ft. - Units are tested and approved for elevations of 0 to 4500 feet (0 to 1372 meters).

Installations at Altitudes above 4500 ft. - For elevations above 4500 feet (1372 meters), install the unit according to the regulations of the local authorities having jurisdiction and, in the USA, the latest edition of the National Fuel Gas Code (ANSI Z223.1) or, in Canada, the latest edition of the CAN1-B149.1 and .2 codes.

Table 3 shows the units' gas orifice size for the elevations indicated.

Burner Orifice Sizes Elevation 0-4500 feet (0-1372 meters)		
Models	Natural Gas drill size (inches)	Propane Gas drill size (inches)
MPB-3328	#47 (.0785")	#1.2m (.048")
MPB-3530	#44 (.086")	#55 (.052")
MPB-4035	#37 (.104")	1/16" (.0625")
MPB-4540	#36 (.1065")	#52 (.0635")

Table 3

Do not use these appliances if any part has been under water. Immediately call a qualified, professional service technician to inspect the appliance and to replace any parts of the control system and any gas control which have been under water.

Ne pas se servir de cet appareil s'il a été plongé dans l'eau, complètement ou en partie. Appeler un technicien qualifié pour inspecter l'appareil et remplacer toute partie du système de contrôle et toute commande qui ont été plongés dans l'eau.

This appliance may be installed in an after-market permanently located, manufactured home (USA only) or mobile home, where not prohibited by local codes. This appliance is only for use with the type of gas indicated on the rating plate. This appliance is not convertible for use with other gases, unless a certified kit is used.

Cet appareil peut être installé dans un maison préfabriquée (É.-U. seulement) ou mobile déjà installée à demeure si les règlements locaux le permettent.

Cet appareil doit être utilisé uniquement avec les types de gaz indiqués sur la plaque signalétique. Ne pas l'utiliser avec d'autres gaz sauf si un kit de conversion certifié est installé.

Millivolt appliances are fitted with a SIT millivolt gas control valve and have been tested with and approved for use with this valve and are listed accordingly.

Test gauge connections are provided on the front of the millivolt gas control valves (identified OUT for the manifold side and IN for inlet pressure side). A 1/8" NPT test gauge connection is provided on the electronic gas control valve adjacent to the outlet to the main burner.

Minimum inlet gas pressure to the appliance is 5.0 inches water column (1.24 kPa) for natural gas and 11 inches water column (2.74 kPa) for propane for the purpose of input adjustment. Maximum inlet gas supply pressure to the appliance is 10.5 inches water column (2.61 kPa) for natural gas and 13.0 inches water column (3.23 kPa) for propane.

The appliance must be isolated from the gas supply piping system (by closing its individual manual shut-off valve) during any pressure testing of the gas supply piping system at test pressures equal to or less than psig (3.5) kPa).

The appliance and its individual shut-off valve must be disconnected from the gas supply piping system during any pressure testing of that system at pressures in excess of psig (3.5 kPa).

These appliances must not be connected to a chimney or flue serving a separate solid fuel burning appliance.

Do not place clothing or other materials on or near this appliance.

! WARNING

Failure to comply with the installation and operating instructions provided in this document will result in an improperly installed and operating appliance, voiding its warranty. Any change to this appliance and/or its operating controls is dangerous. Improper installation or use of this appliance can cause serious injury or death from fire, burns, explosion or carbon monoxide poisoning.

Carbon Monoxide Poisoning: Early signs of carbon monoxide poisoning are similar to the flu with headaches, dizziness and/or nausea. If you have these signs, obtain fresh air immediately. Turn off the gas supply to the appliance and have it serviced by a qualified professional, as it may not be operating correctly.

! WARNING

B-Vent appliances are not designed to operate in negatively pressured environments (pressure within the home is less than pressures outside). Significant negatively pressured environments caused by weather, home design, or other devices may impact the operation of these appliances. Negative pressures may result in poor flame appearance, sooting, damage to property and/or severe personal injury. Do not operate these appliances in negatively pressured environments.

! WARNING

Children and adults should be alerted to the hazards of high surface temperatures. Use caution around the appliance to avoid burns or clothing ignition. Young children should be carefully supervised when they are in the same room as the appliance.

! WARNING

Do not place clothing or other flammable materials on or near this appliance.

! AVERTISSEMENT

Surveiller les enfants. Garder les vêtements, les meubles, l'essence ou autres liquides à vapeur inflammables loin de l'appareil.

! WARNING

This appliance may only be fitted with doors certified for use with the appliance.

! AVERTISSEMENT

Pour utilisation uniquement avec les portes en verre certifiées avec l'appareil.

These appliances are equipped with an integral combustion air door and actuator arm. Combustion air kits are optional and must be installed before removing the securing screw allowing the movement of the combustion air actuator arm (see *Step 8 on Page 10*).

LOCATION

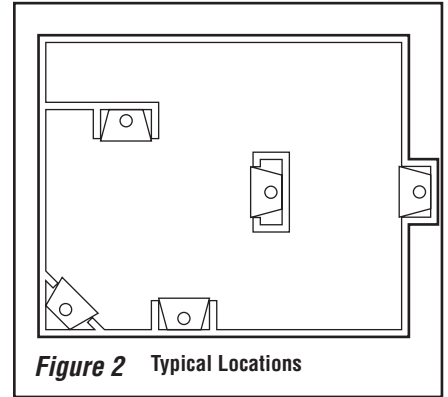


Figure 2 Typical Locations

In selecting the location, the aesthetic and functional use of the appliance are primary concerns. However, vent system routing to the exterior and access to the fuel supply are also important. Due to high temperatures the appliance should be located out of traffic and away from furniture and draperies. Consideration should be given to traffic ways, furniture, draperies, etc., due to elevated surface temperatures. The location should also be free of electrical, plumbing or other heating/air conditioning ducting.

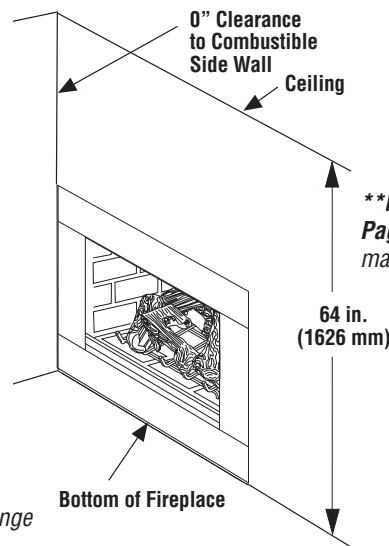
The appliance should be mounted on a fully supported base extending the full width and depth of the unit. The appliance may be located on or near conventional construction materials. However, if installed on combustible materials, such as carpeting, vinyl tile, etc., a metal or wood barrier covering the entire bottom surface must be used.

These appliances may be used for bedroom installations in the United States and are listed accordingly. These units may not be installed in bedrooms in Canada.

APPLIANCE CLEARANCES

MINIMUM CLEARANCES Inches (millimeters)	
Back	1/2 (13)
Sides	1/2 (13)
Top Spacers	0 (0)
Floor	0 (0)
Bottom of Appliance To Ceiling	64 (1626)
Vent	1 (25.4)
SERVICE CLEARANCES Feet (meters)	
Front	3 ft. (0.9 m)

***Note:** See *Page 7, Step 3* for clearance requirements to the nailing flange located at each side of the unit and any screw heads adjacent to it.



****Note:** See also *Figure 37 on Page 18* for an illustration of mantel clearances.

Figure 3

FIREPLACE SPECIFICATIONS

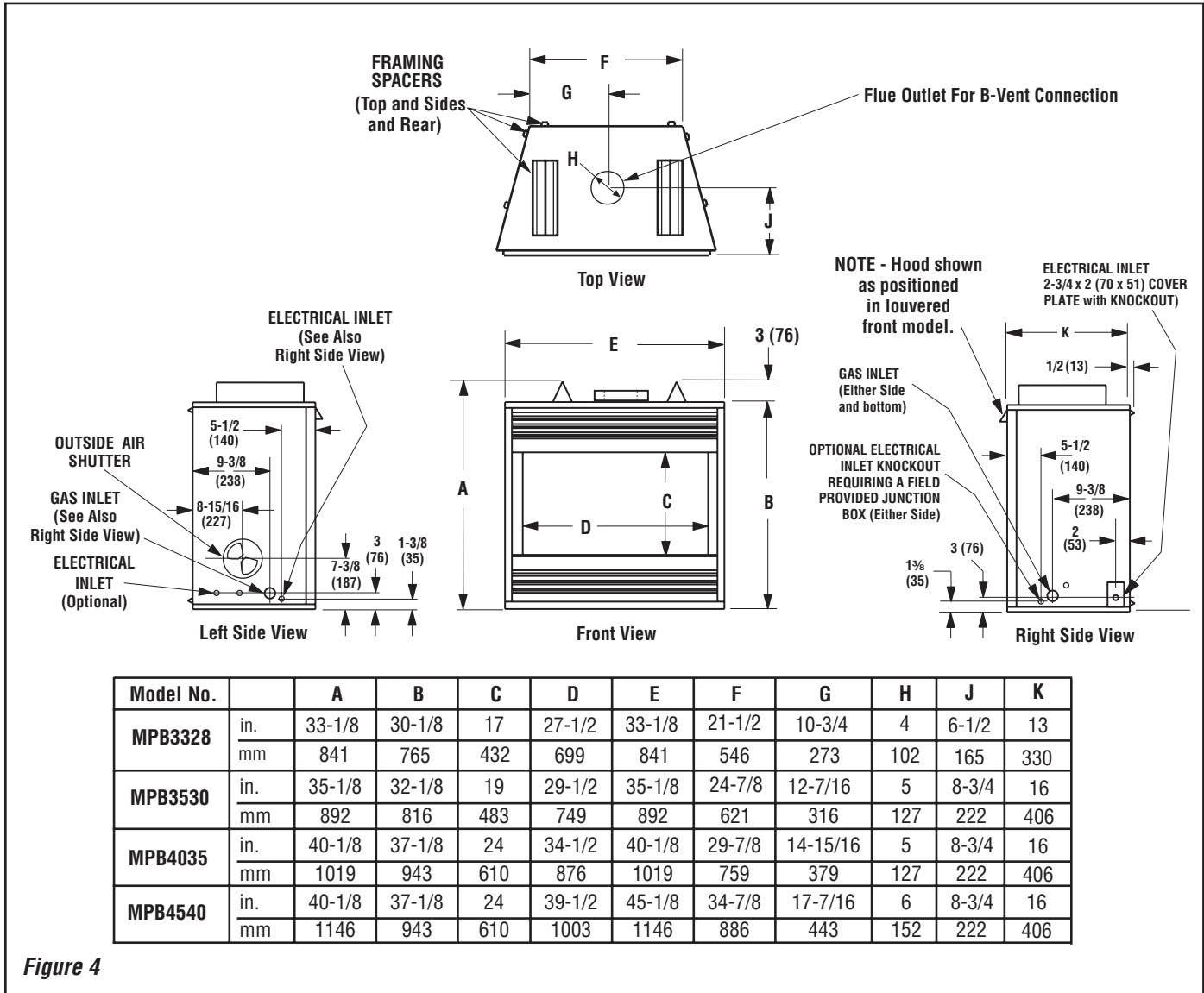


Figure 4

Venting

GAS VENT RULE

Gas vent caps are not permitted within 8 feet (2.4 mm) of a vertical wall or similar obstruction. Gas vent caps that are located 8' or more from a portion of a building which extends at an angle greater than 45° upward from the horizontal may terminate in accordance with **Table 4 and Figure 5**, provided that in no case shall any discharge opening on the cap be less than 2' (610 mm) horizontally from the roof surface (National Fuel Gas Code ANSI Z223.1 (NFPA 54) 7.6.2) (CAN/CGA B149).

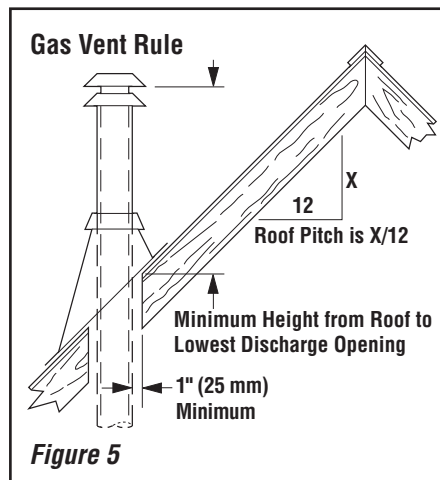


Figure 5

Termination Heights For Vents Above Flat Or Sloped Roofs Ref. NFPA 54 / ANSI Z223.1, 7.6		
Roof Pitch	Feet	Meters
Flat to 6/12	1' 0"	0.3
Over 7/12 to 9/12	2' 0"	0.6
Over 10/12 to 12/12	4' 0"	1.2
Over 13/12 to 16/12	6' 0"	1.8
Over 17/12 to 21/12	8' 0"	2.4

Table 4

Note: Venting terminals shall not be recessed into a wall or siding.

FRAMING SPECIFICATIONS

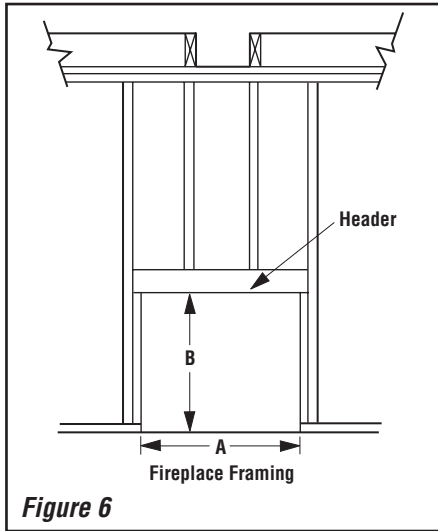


Figure 6

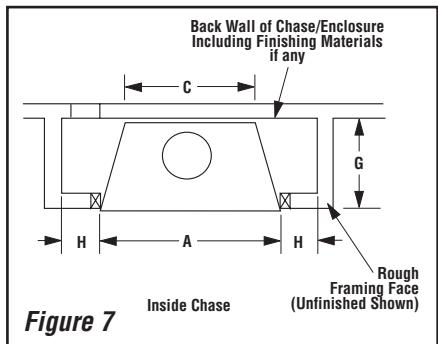


Figure 7

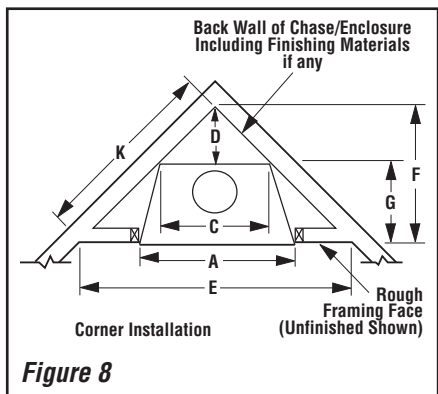


Figure 8

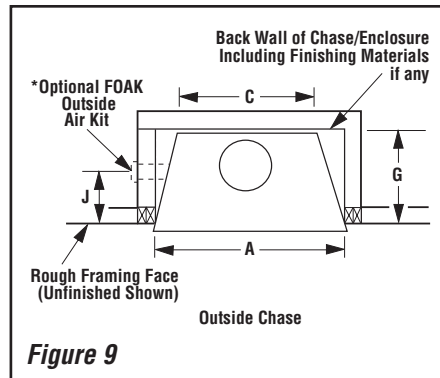


Figure 9

Note: All framing dimensions calculated for 1/2" dry wall at the appliance face. If sheathing the chase or finishing with other thickness materials, calculations will need to be made.

* Outside air kit - FOAK (without adapter)

TYPICAL INSTALLATION SEQUENCE

The typical sequence of installation follows, however, each installation is unique resulting in variations to those described.

See the Page numbers references in the following steps for detailed procedures.

Step 1. (Page 7) Construct the appliance framing.

Step 2. (Page 7) Route gas supply line to appliance location.

Step 3. (Page 7) Position the appliance within the framing and secure with nailing brackets.

Step 4. (Page 8) Install the vent system and exterior termination.

Step 5. (Page 8) Field Wiring
 a. Millivolt Appliances – The operating control switch is factory installed.
 b. Electronic Appliances – Connect 120 Vac electrical power to the appliance receptacle.

Step 6. (Page 9) Install the optional blower.

Step 7. (Page 10) Make connection to gas supply.

Step 8. (Page 10) Outside Air Kit Installation.

Step 9. (Page 11) Install the log set and decorative volcanic stone.

Step 10. (Page 16) Checkout appliance operation.

Step 11. (Page 16) Install glass enclosure panel.

Step 12. (Page 17) Burner adjustment.

Step 13. (Page 17) Spillage Test and Safety Limit Switch Operation.

Step 14. (Page 17) Install the hood.

PRE-INSTALLATION NOTES

The fireplace may be installed directly on a combustible floor or raised on a platform of an appropriate height. Do not place fireplace on carpeting, vinyl or other soft floor coverings. It may, however, be placed on flat wood, plywood, particle board or other hard surfaces. Be sure fireplace rests on a solid continuous floor or platform with appropriate framing for support and so that no cold air can enter the room from under the fireplace.

The fireplace may be positioned and then the framing built around it, or the framing may be constructed and the fireplace positioned into the opening.

Usually, no special floor support is needed for the fireplace, however, to be certain:

1. Estimate the total weight of the fireplace system and surround materials such as brick, stone, etc., to be installed.

Model No.		A Unit Size	A Framing Size	B	C	D	E	F	G	H	J	K
MPB3328	in.	33-1/8	33-1/4	33-1/4	21-1/2	11-1/4	48-1/2	24-1/4	13	4	4-1/16	34-5/16
	mm	842	845	845	546	286	1232	616	330	102	103	872
MPB3530	in.	35-1/8	35-1/4	35-1/4	24-7/8	12-3/4	57-1/2	28-3/4	16	4	7-1/16	40-5/8
	mm	892	895	895	632	324	1460	730	406	102	179	1032
MPB4035	in.	40-1/8	40-1/4	40-1/4	29-7/8	14-11/16	61-13/16	30-11/16	16	4	7-1/16	43-11/32
	mm	1019	1022	1022	759	373	1570	779	406	102	179	1101
MPB4540	in.	45-1/8	45-1/4	40-1/4	34-7/8	17-3/16	66-3/8	33-3/16	16	4	7-1/16	46-15/16
	mm	1146	1149	1022	886	437	1686	843	406	102	179	1192

Table 5

NOTE: DIAGRAMS & ILLUSTRATIONS NOT TO SCALE.

2. Measure the square footage of the floor space to be occupied by the system, surrounds and hearth extensions.

3. Note the floor construction, i.e. 2 x 6's, 2 x 8's or 2 x 10's, single or double joists, type and thickness of floor boards.

4. Use this information and consult your local building code to determine if you need additional support.

If you plan to raise the fireplace and hearth extension, build the platform assembly then position fireplace and hearth extension on top. Secure the platform to the floor to prevent possible shifting.

INSTALLING THE FIREPLACE

Step 1. CONSTRUCT FRAMING

Frame appliance enclosure as illustrated in *Figures 6 through 9 on Page 6.*

Note: The framed depth, 16 in. (406 mm) from a framed wall, must always be measured from a finished surface. If a wall covering such as drywall is to be attached to the rear wall, then the 16 in. (406 mm) must be measured from the drywall surface. It is important that this dimension be exact.

If the appliance is to be elevated above floor level, a solid continuous platform must be constructed.

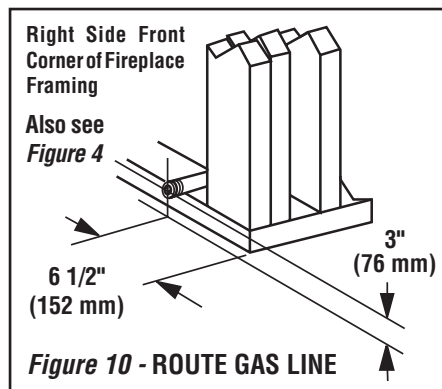
The header may rest on the top metal spacers, but must not be notched to fit around them.

Consult all local codes.

Step 2. ROUTE GAS SUPPLY LINE

Route gas line (*see Figure 10*) using techniques and materials prescribed by local and/or national codes. It is recommended that a gas line of " or greater diameter be used to allow full gas volume to the fireplace. Undue pressure loss will occur if the pipe is too small. The appliance, as set up at the factory, is best suited for use with a gas line routed from the right side. The gas line may however be alternately routed from the left side.

When rigid pipe is used, an ANSI approved manual shut-off valve and union must be installed upstream of the fireplace.



Ensure that a sediment trap is installed in the existing gas line, if not, install a sediment trap upstream to prevent moisture and contaminants from passing through trap to the appliance controls and burners. Failure to do so could prevent the appliance from operating reliably.

An external regulator must be used on all propane (L.P.G.) heaters to reduce the supply tank pressure to 13" w.c. (maximum). Any copper tubing used to supply propane (L.P.G.) from the tank must be internally tinned.

! IMPORTANT
Hold gas valve securely to prevent movement when connecting to inlet gas line.

! WARNING
Connecting directly to an unregulated propane (L.P.G.) tank may cause an explosion.

All appliances are equipped with a gas flex line and shutoff valve attached directly to the gas control valve. Use of the gas flex line will aid in the routing and attachment of the gas line to the fireplace.

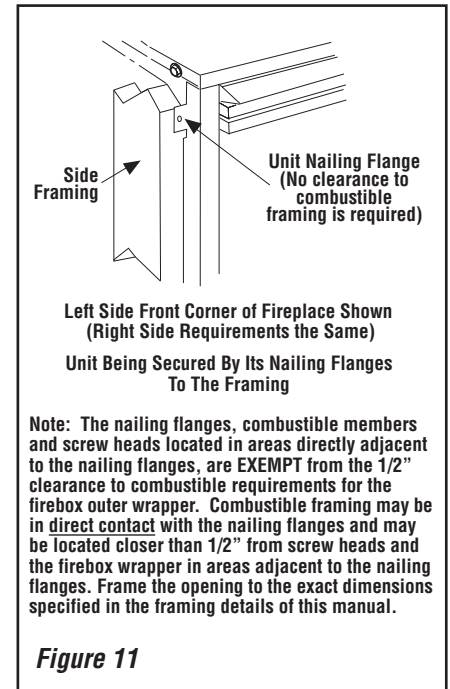
Step 3. POSITION THE APPLIANCE

Slide the fireplace into prepared framing or position fireplace in its final position and frame later.

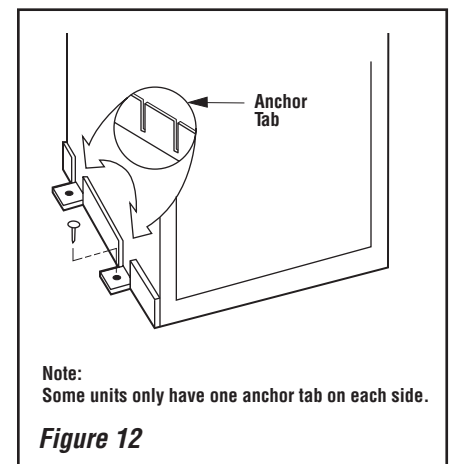
Refer to fireplace drawings and specifications on *Page 5* for framing dimensions and details. Framing header may be positioned directly on the fireplace top spacers.

! IMPORTANT
Under no circumstances can the fireplace top spacers (refer to Figure 4) be removed or modified, nor may you notch the header to fit around or be installed lower than the spacers. The header may be in direct contact with the top spacers but may not be supported by them.

The fireplace should be secured to the side framing members using the unit's nailing flanges - two at the top and bottom on each side of the fireplace front. See *Figure 11*. Use 8d nails or their equivalent.



Fireplace may be anchored to floor. Bend down two anchor tabs (one on each side) located at the base of the fireplace and secure to the floor by nailing with 8d nails or equivalent (*Figure 12*).



Step 4. INSTALL THE VENT SYSTEM & EXTERIOR TERMINATION

In the United States, vent installation must conform with local building codes. In the absence of local codes, vents must be installed in accordance with the current edition of the National Fuel Gas Code (ANSI-Z223.1).

In Canada, vent installation must conform with local building codes. In the absence of local codes, vents must be installed in accordance with the current edition of the National Standard of Canada CAN/CGA-B149.1 or B149.2 Installation Code.

MPB-3328, MPB-3530, MPB-4035 and MPB-4540 series fireplaces must be vertically vented using listed type-B, double-walled vent pipe with the proper diameter as listed below and a listed vent termination.

Required Pipe Diameter:

MPB-3328 series: Requires 4 in. (102 mm)

MPB-3530 series: Requires 5 in. (127 mm)

MPB-4035 series: Requires 5 in. (127 mm)

MPB-4540 series: Requires 6 in. (152 mm)

A - Connect the proper size Type B-vent system to the fireplace flue collar with three sheet metal screws (No. 8 or larger). See **Figure 13**. Then install the remainder of the Type B-vent to the outside.

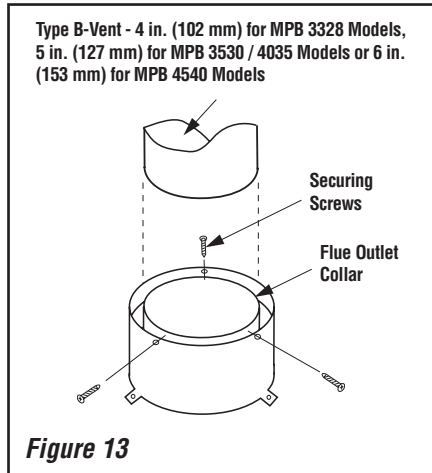


Figure 13

B - The following venting configurations may be installed (see **Figure 14**):

1 - Vertical - Minimum overall height of the vent system and appliance without an offset must be 10' (2.54 m)

2 - With Offset -

a - Minimum overall height of the vent system and appliance must be 12' (3.66 m) when an offset up to 45 degrees from the vertical is used. The lower part of the offset may start at the fireplace flue collar.

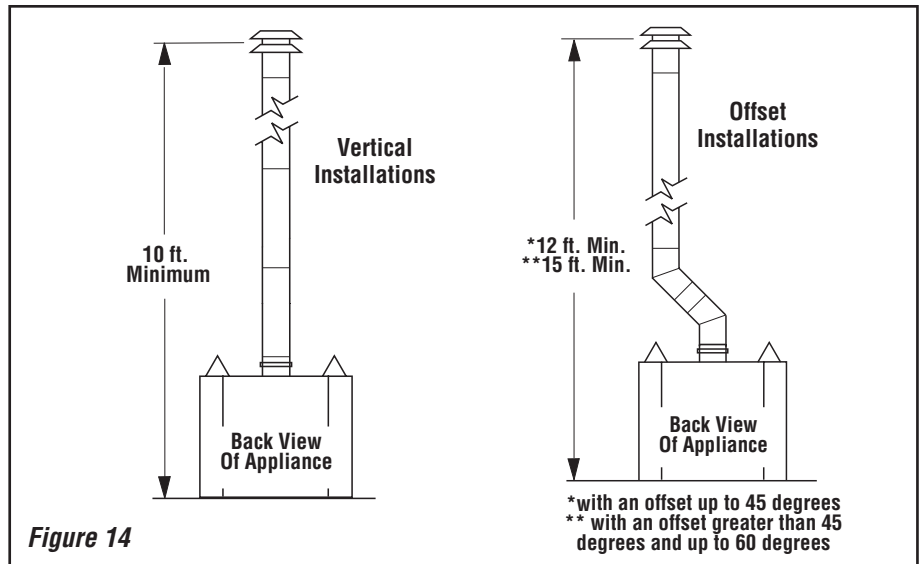


Figure 14

b - Minimum overall height of the vent system and appliance must be 15' (4.57 m) when an offset, more than 45 degrees but less than 60 degrees from the vertical, is used. The lower part of the offset may start at the fireplace flue collar.

Maximum overall height of the vent system and appliance should not exceed 40 feet (12.19 m).

Install the B-vent system in accordance with the vent manufacturer's instructions.

CAUTION: THIS APPLIANCE CANNOT BE VENTED HORIZONTALLY.

Note: Refer to the vent manufacturers installation instructions for variations of venting techniques. If common venting of several units is contemplated, it should be discussed with an architect and the local Building Department.

Do not place insulation materials within 1 in. of the gas vent system.

Step 5. FIELD WIRING

Refer to Section A for millivolt appliances and Section B for electronic appliances. The gas valve is set in place and pre-wired at the factory on both models.

A. SIT Millivolt Wiring (See Figure 15) -

1. Select any of the following optional controls: appliance-mounted (rocker switch) or wall-mounted switch, thermostat, or one of the optional remote control kits. If appliance-mounted ON/OFF control is selected mount it in the gas valve mounting bracket.

2. If wall-mounted ON/OFF control switch or thermostat is selected mount it in a convenient location on a wall near the fireplace.

3. Wire the control switch within the millivolt control circuit using the 15 feet of 2 conductor wire supplied with the unit. **Caution: do not connect the optional wall switch to a 120V power supply.**

4. Alternatively, the appliance may be operated without the use of the controls indicated in **Instruction #1**, solely by manipulating the gas valve control knob. In order to use this method, twist the free ends of the two conductor wire (located in the lower compartment of the unit) together as shown in **Figure 15**.

Note: The supplied 15 feet of 2 conductor wire has one end of each conductor connected to the gas valve circuit and the other end of each conductor placed inside the control compartment.

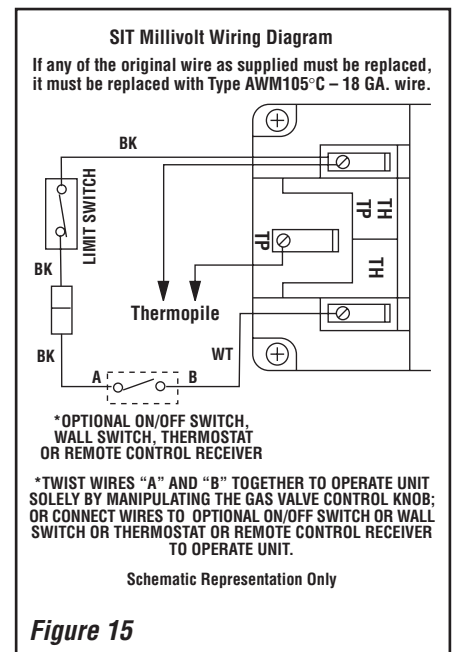
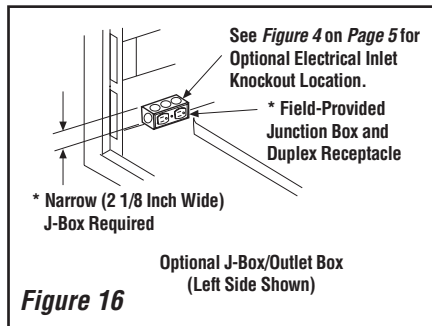


Figure 15

B. Electronic Wiring (See Figure 17 or 18)–

Note: The electronic appliance must be connected to the main power supply.

A junction box is located at the rear of the control compartment on either side of the cabinet. The junction box on the right side contains a factory installed and wired outlet box (duplex receptacle). Also, an optional field-provided junction box with receptacle may be installed at the front of the control compartment on either side of the cabinet. **See Figure 16.** It will be held in place by a conduit fitting and locknut (field-provided).



1. Route a 3-wire 120Vac 60Hz 1ph power supply to the appliance junction box.
2. If the factory-provided outlet/junction box at the right rear of the fireplace is being used, remove the outlet box from the junction box by removing two screws.
3. Connect the power supply wires (including the ground supply wire) as shown in **Figure 17 or 18.** (If the field-provided J-box/outlet box is being used, all of the outlet box wiring must be field-provided).
4. Locate and install a low voltage (24V) wall-mounted switch or thermostat (both field-provided) in the desired location.
5. Connect the low voltage wire, located in the lower control compartment, to the wall-mounted switch or thermostat.

Note: The supplied 15 feet of 2 conductor wire has one end of each conductor connected to the gas valve circuit and the other end of each conductor placed inside the control compartment.

6. Insert the control circuit plug into the **un-switched** receptacle of the outlet box.
7. After wiring is complete, mount the outlet box to the J-Box.

Note: The gas valve-mounted ON/OFF switch is shown in **Figure 17 or 18.** It is integral with the gas valve and should be set to the ON position.

Step 6. WIRING - OPTIONAL FORCED AIR BLOWER KIT

FBK-100, FBK-200 and FBK250 Kits
(See **Figure 17** for **FBK-100, FBK-200** and **Figure 18** for **FBK-250** wiring) -

An electrical outlet box (receptacle) is factory-provided for the installation of the **FBK-100, FBK-200 and FBK-250** forced air blower kits. (An optional field-provided outletbox/J-Box may also be used. Electrical power must be connected to either of these receptacles in order to operate these blowers. Install the blower kits according to the installation instructions provided with the kits.

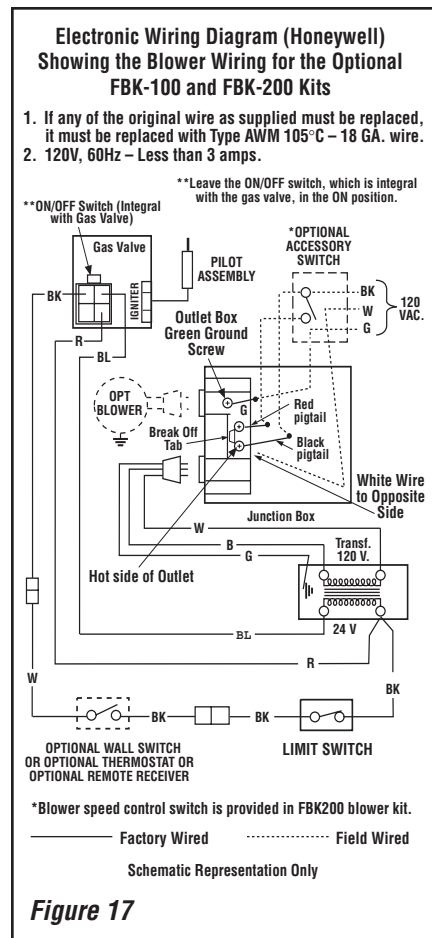


Figure 17

Note: The tab connecting the receptacles of the outlet box must be broken in **FBK-100** and **FBK-200** blower kit applications.

IMPORTANT: Ground supply wire must be connected to the green wire attached to the outlet receptacle's green ground screw. **See Figure 17 or 18.** Failure to do so will result in a potential safety hazard. The appliance must be electrically grounded in accordance with local codes or, in the absence of local codes, the National Electrical Code, ANSI/NFPA 70- (latest edition). (In Canada, the current CSA C22-1 Canadian Electrical Code).

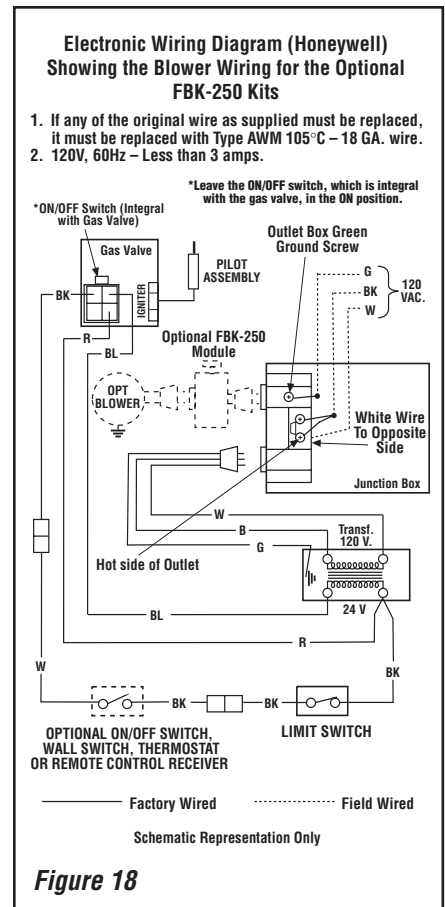


Figure 18

Step 7. CONNECTING GAS LINE

Make gas line connections. All codes require a shut-off valve mounted in the supply line. **Figure 19** illustrates two methods for connecting the gas supply. The flex-line method is acceptable in the U.S., however, Canadian requirements vary depending on locality. Installation must be in compliance with local codes.

These appliances are equipped with a gas flex line for use (where permitted) in connecting the unit to the gas line. A gas flex line is provided to aid in attaching the B-Vent appliance to the gas supply. The gas flex line can only be used where local codes permit. See **Figure 19** for flex line description. The flex line is rated for both natural and propane gas. A manual shut off valve is also provided with the flex line.

The gas control valve is located in the lower control compartment. To access the valve open the lower control compartment door (see **Figure 20**). The millivolt control valve has a 3/8" (10 mm) NPT thread inlet port. The electronic control valve has a 1/2" (13 mm) NPT thread inlet port and is fitted with a 1/2" x 3/8" (13 mm x 10 mm) NPT fitting.

Secure all joints tightly using appropriate tools and sealing compounds (ensure propane resistant compounds are used in propane applications).

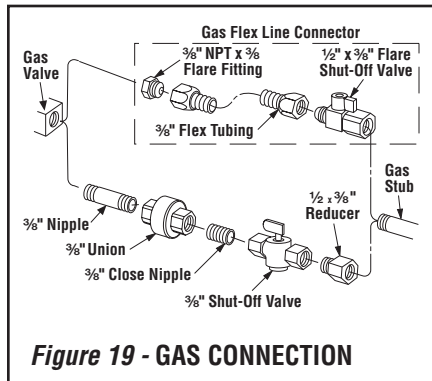


Figure 19 - GAS CONNECTION

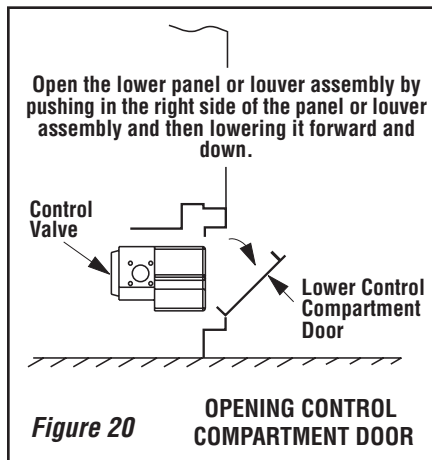


Figure 20 OPENING CONTROL COMPARTMENT DOOR

Turn on gas supply and test for gas leaks using a soapy water solution. **Never use an open flame to check for leaks.**

- A. Mix a 50% dish soap, 50% water solution.
- B. Light the appliance (refer to the lighting instructions provided in the Homeowner's Care and Operation Instructions).
- C. Brush all joints and connections with the soapy water solution to check for leaks. If bubbles are formed, or gas odor is detected, turn the gas control knob to the "OFF" position. Either tighten or refasten the leaking connection and retest as described above.
- D. When the gas lines are tested and leak free, observe the individual tongues of flame on the burner. Make sure all ports are open and producing flame evenly across the burner. If any ports are blocked, or partially blocked, clean out the ports.

Step 8. OUTSIDE AIR KITS – Optional outside make-up air kits, Model FOAK-4 or FAOK-4LD, may be used with these appliances. Refer to the installation instructions packaged with the air kits for specific installation information. If used, the outside air kit must be installed before the fireplace is framed and enclosed in the finished wall.

Outside air drawn into the fireplace supplies air to the fire for combustion. Only one outside air duct is necessary, if installed. See **Figure 1 on Page 2 and Figure 4 on Page 5** for the location of the unit's outside air inlet.

If additional length of duct is necessary, purchase locally available U.L. Class 0 or Class 1 metallic ducting. The duct may extend up to 50' (15.24 m) in any direction.

Note: When installing the air duct vertically, **DO NOT** terminate the duct closer than 3' below the chimney top.

Outside combustion air ducting may be run upwards or vertically through framing and ceiling joists, with the hood installed through an outside wall and 3' (1 m) below the termination. Ducting may also be run downward through floor joists and under the home to a ventilated crawlspace not considered part of the living area of the home.

Note: Do not terminate outside air kit in attic space under any circumstances.

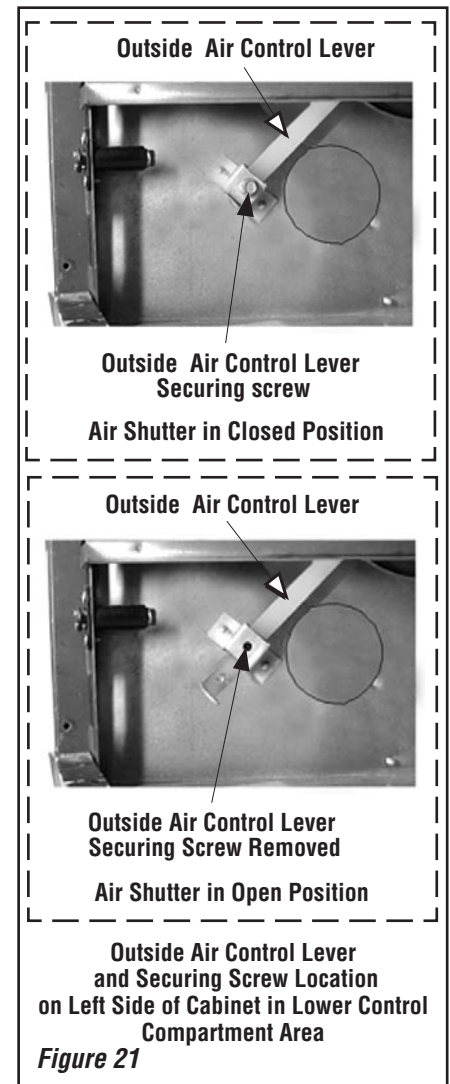
⚠ CAUTION

Never locate inlet where it can be blocked by shrubs, snow drifts, etc. Never locate inlet in garage or any area where there is another fuel burning appliance or products emitting combustible gases such as paint, gasoline, etc. In cold climates, it is recommended the outside air duct be insulated.

After completing the installation of the optional outside air vent system the outside air control lever must be put in service and tested to ensure proper operation before completing any enclosure around the firebox. Failure to do so may result in extensive and costly rework. Before the operation of the vent system can be tested, the lever securing screw must be removed. **See Figure 21.**

The hand operated outside air control lever is located on the left side of the fireplace opening. **See Figure 21.**

To open the outside air shutter, open the bottom control access panel, reach into the control compartment, and pull the outside air control lever all the way out. The outside air shutter should be fully open when the fireplace is in use and completely closed when the fireplace is not being used. Closing it when not in use will prevent outside cold air from entering the dwelling.



Operate the actuator through several cycles including the closed position. Ensuring proper operation and freedom of movement. Return the actuator arm to the closed position.

Step 9. INSTALLING LOGS, DECORATIVE VOLCANIC STONE AND GLOWING EMBERS

WARNING

Logs get very hot and will remain hot up to one hour after gas supply is turned off. Handle only when logs are cool. Turn off all electricity to the appliance before you install grate and logs.

WARNING

This appliance is not meant to burn wood. Any attempt to do so could cause irreparable damage to your appliance and prove hazardous to your safety.

WARNING

The size and position on the log set IS Critical to give your appliance a safe, reliable and attractive flame pattern. Any attempt to use a different log set in the fireplace will void the Warranty and will result in incomplete combustion, sooting, and poor flame quality.

The packaged logs are located within the firebox. The decorative volcanic stone and glowing embers are packaged separately in plastic bags located in the control area of the fireplace.

Install the logs per the instructions in the Homeowners Care and Operation Manual.

DO NOT attempt to install the logs until the appliance installation has been completed, the gas line connected and tested for leaks and the initial burner operation has been checked out.

Proper twig placement is critical to prevent sooting. Twigs should be placed in the gaps between the flame peaks and should be positioned so that at no time they impinge the flames.

1. Remove the appliance front door.
2. Remove the log set from the interior of the fireplace.
3. Remove the logs from their packaging. **Handle logs carefully to prevent breakage.**
4. **MPB-4035 & MPB-4540 Models** - Remove the restraining strap from the grate tines. Ensure the grate is fully inserted into the holes on the firebox rear panel and over the indents on the firebox floor.

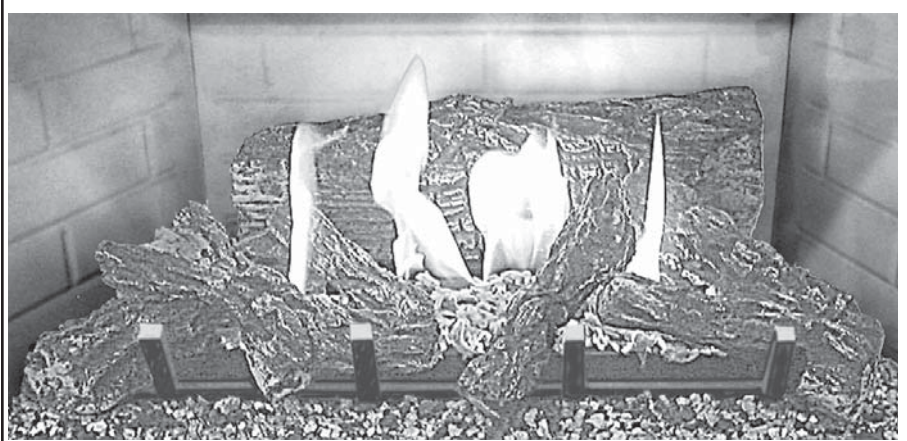


Figure 22 Burner Flame Appearance - Model MPB-3328

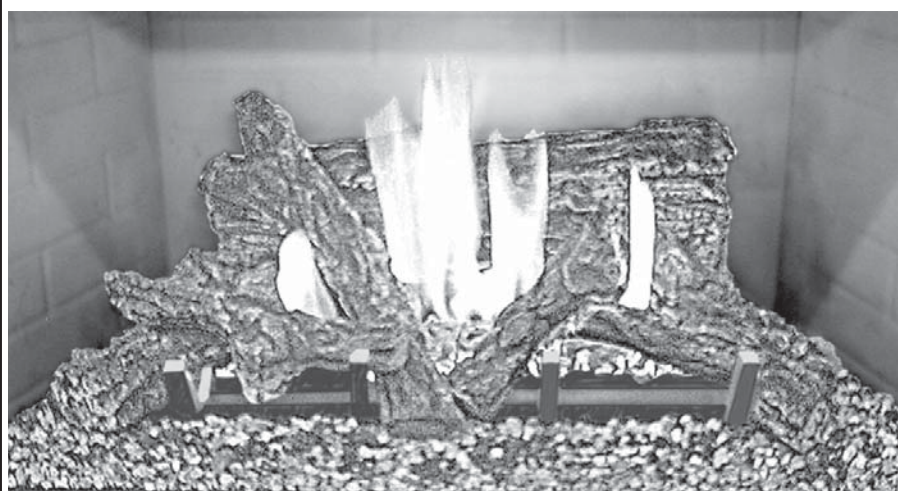


Figure 23 Burner Flame Appearance - Model MPB-3530

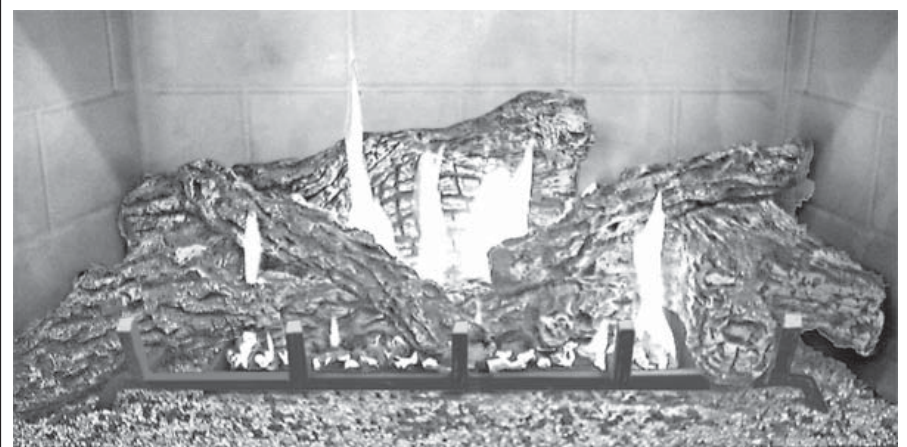


Figure 24 Burner Flame Appearance - Model MPB-4035 & MPB-4540

Glowing Embers, Vermiculite, Decorative Volcanic Stone And Log Placement Instructions:

Step 1. Separate the Glowing Embers (Rockwool) into pieces about the size of a quarter (*see Figure 25*). Keep the pieces fluffed up, not matted.

MPB-3328 & MPB-3530 Models -

Distribute these pieces over the burner as shown in *Figure 26*. Do not use more than is shown. The glowing embers should not be placed directly over the large burner slots as shown in *Figure 26*.

MPB-4035 & MPB-4540 Models -

Place the center log (Log No. 1) on the burner as shown on *Page 15*. Distribute the glowing ember pieces at the front of the burner as shown in *Figure 27*. Do not use more than is shown. The glowing embers should not be placed directly over the large burner slots as shown in *Figure 27*.

Note: *This appliance is provided with enough Glowing Embers for several applications; do not feel compelled to use all that is in a new bag. For best glowing effect, replace the ember material annually. Replacement Glowing Embers are available (Catalog Number 88L53).*

Step 2. Mound up a portion of the vermiculite (light colored material) in front of the burner and grate. Sprinkle the dark colored decorative volcanic stone on top of the vermiculite in a pleasing pattern. For best results, spread in a non-uniform manner while ensuring complete coverage of the black sheetmetal surface.

See Figure 26 - MPB-3328 or MPB-3530, or Figure 27 - MPB-4035 or MPB-4540 models.

Note: *Do Not place vermiculite or decorative volcanic stone on top of the gas burner where it will block the burner ports.*

Step 3. Position the individual logs as described on *Page 13 (MPB-3328), Page 14 (MPB-3530) or Page 15 (MPB-4035 and MPB-4540).*

Note: *Your application may not require the use of all of the provided vermiculite, or decorative volcanic stone. Replacement vermiculite, volcanic stone and glowing embers is available (see below for ordering information).*

REFERENCE Firebox Accessories / Parts		
Cat. No.	Model No.	Description
88L53	FGE	Bag of Glowing Embers (1 oz. rockwool)
H3696		Vermiculite, Bag (2 liters) 42363
80L42	FDVS	Bag of Decorative Volcanic Stone

Table 6

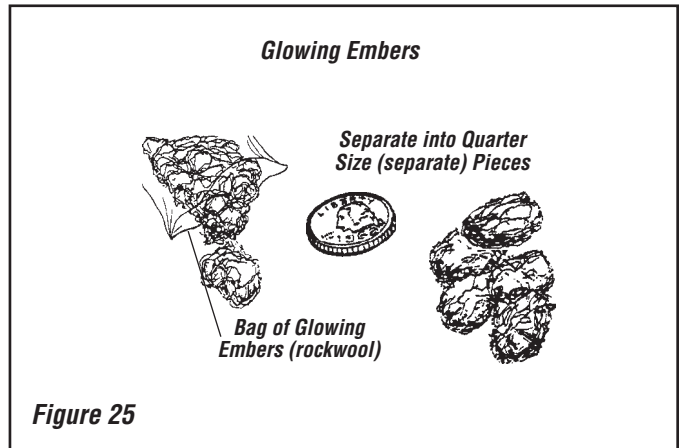


Figure 25

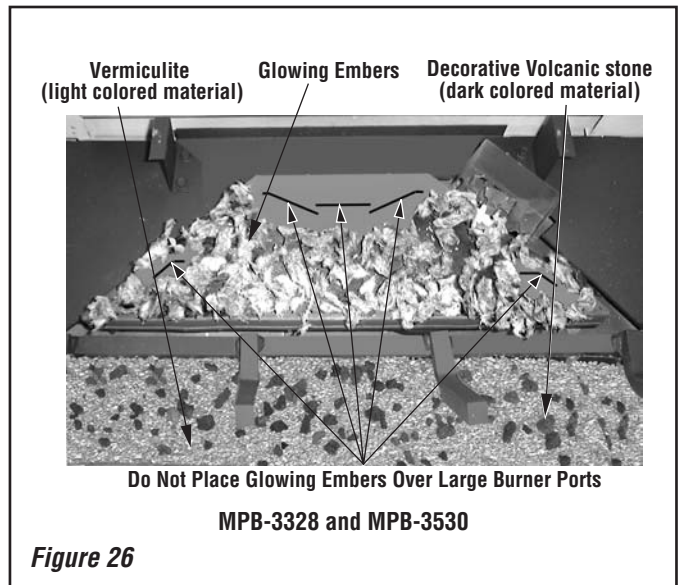


Figure 26

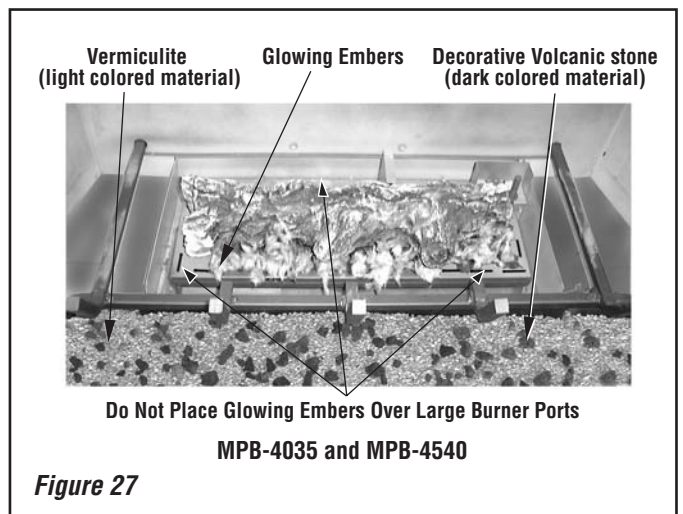
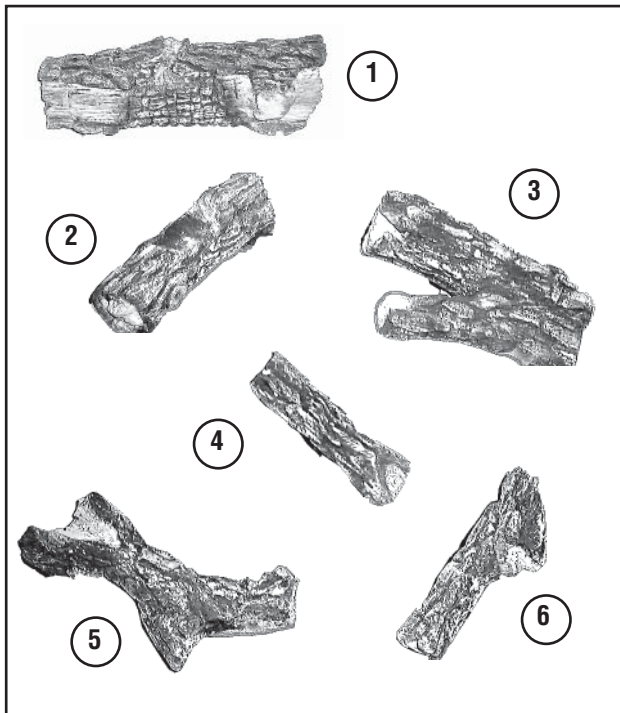


Figure 27

MPB-3328 LOG PLACEMENT



LOG SET Catalog Number 24M1501	
* Item	Description (stamped #)
1	Log, Rear (39-12)
2	Log, Left (39-1)
3	Log, Right (39-2)
4	Log, Top Center (39-13)
5	Log, Top/Left (39-3)
6	Log, Top/Right (39-4)

** Item numbers above correspond to photos*

Position the individual logs as shown below. Logs should be placed in the order shown. Position the rear log on the brackets at the rear of the firebox with the log's notches directly over the brackets. Position the right log (log no. 3) by inserting the pin from the rear log into the hole on its upper end. Place the left log and then the smaller left and right top logs. All logs that have notches to fit over the grate tines should be positioned with these notches directly against the grate. All top logs that rest on lower logs, do so over flattened mounting faces in the bottom logs.

Proper log and twig placement is critical to encourage outstanding flame appearance and prevent sooting.

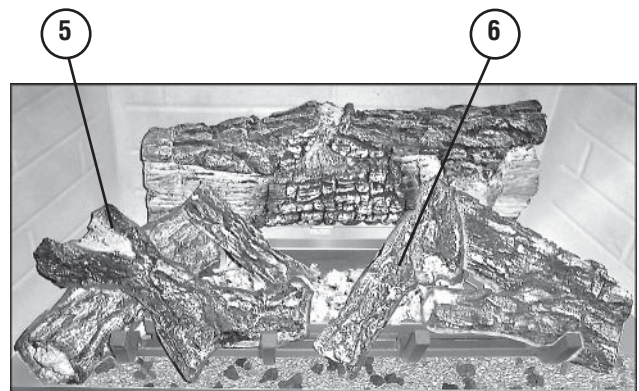
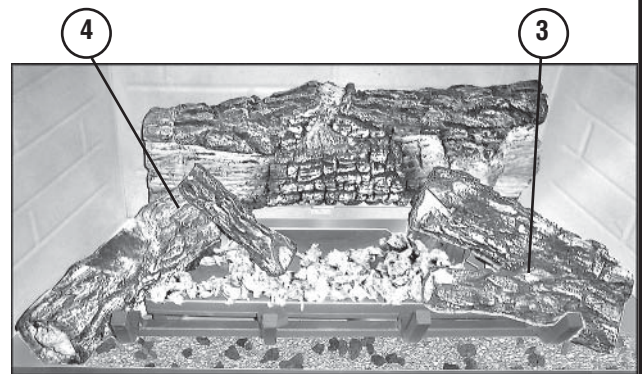
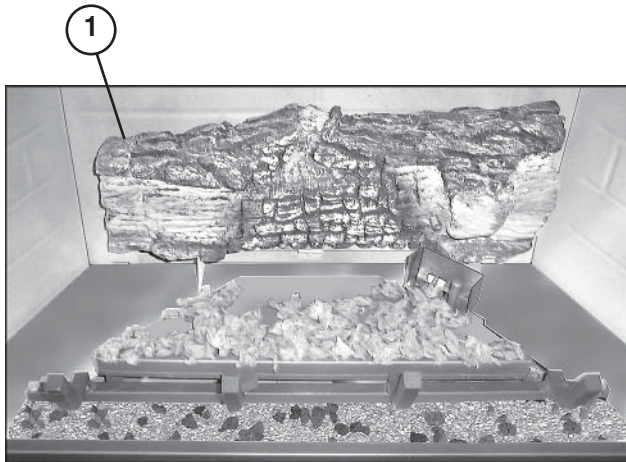
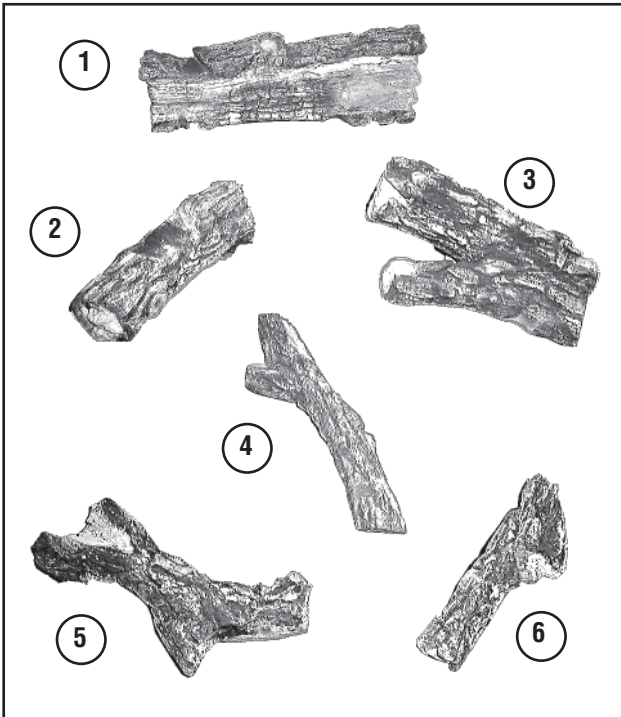


Figure 28

MPB-3530 LOG PLACEMENT



LOG SET Catalog Number 24M2201	
* Item	Description (stamped #)
1	Log, Rear (39-5)
2	Log, Left (39-1)
3	Log, Right (39-2)
4	Log, Top Center (39-6)
5	Log, Top/Left (39-3)
6	Log, Top/Right (39-4)

** Item numbers above correspond to photos*

Position the individual logs as shown below. Logs should be placed in the order shown. Position the rear log on the brackets at the rear of the firebox with the log's notches directly over the brackets. Position the right log (log no. 3) by inserting the pin from the rear log into the hole on its upper end. Place the left log and then the smaller left and right top logs. All logs that have notches to fit over the grate tines should be positioned with these notches directly against the grate. All top logs that rest on lower logs, do so over flattened mounting faces in the bottom logs.

Proper log and twig placement is critical to encourage outstanding flame appearance and prevent sooting.

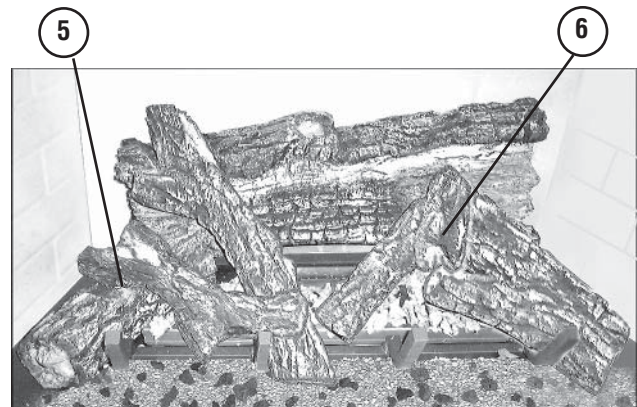
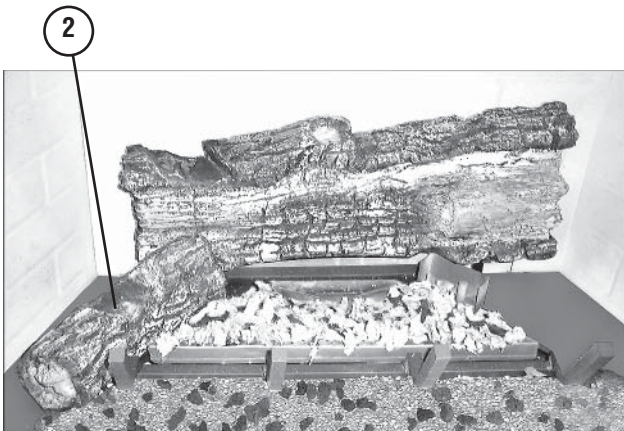
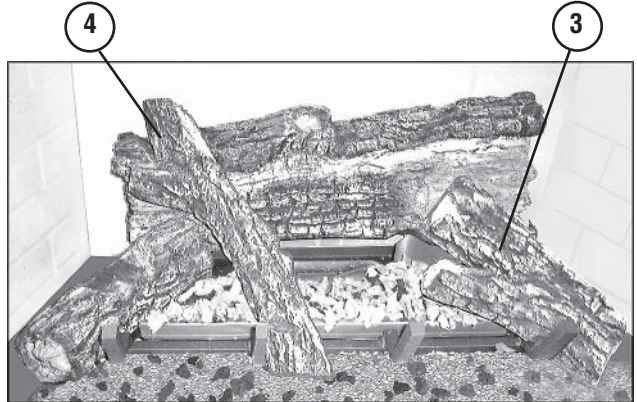
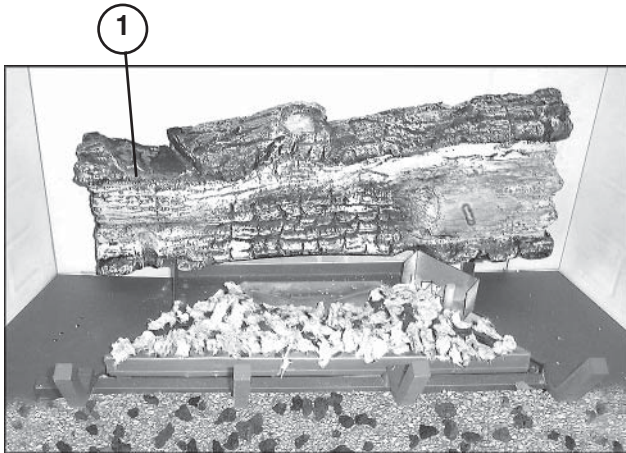
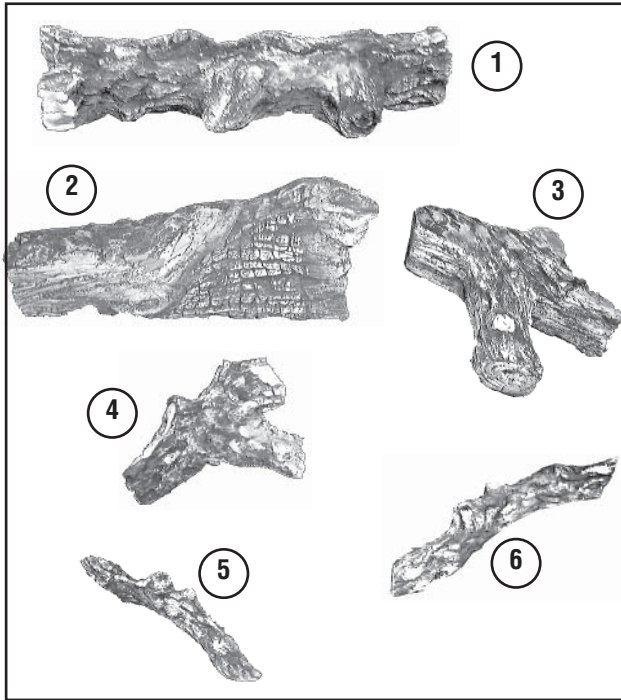


Figure 29

MPB-4035 & MPB-4540 LOG PLACEMENT



LOG SET Catalog Number 24M2501	
* Item	Description (stamped #)
1	Log, Center (39-8)
2	Log, Rear (138)
3	Log, Right (39-10)
4	Log, Left (39-9)
5	Log, Top/Left (39-11)
6	Log, Top/Right (39-11)
* Item numbers above correspond to photos	

Position the individual logs as shown below. Logs should be placed in the order shown. Position the center log on the burner first, then place the glowing embers as shown in **Figure 27**. Place the rear log, both the right and left, and then the smaller left and right top logs. All logs that have notches should be positioned with these notches directly against the grate. All top logs that rest on lower logs, do so over flattened mounting faces in the bottom logs.

Proper log and twig placement is critical to encourage outstanding flame appearance and prevent sooting.

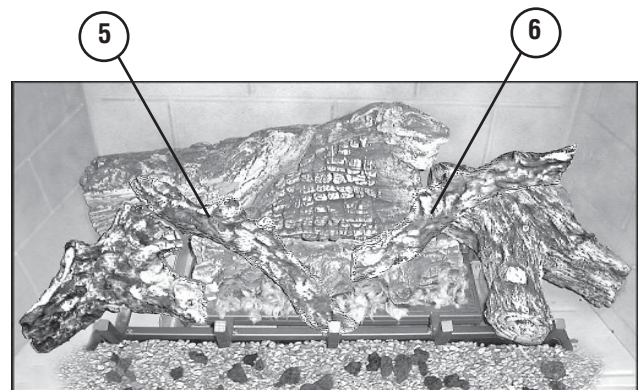
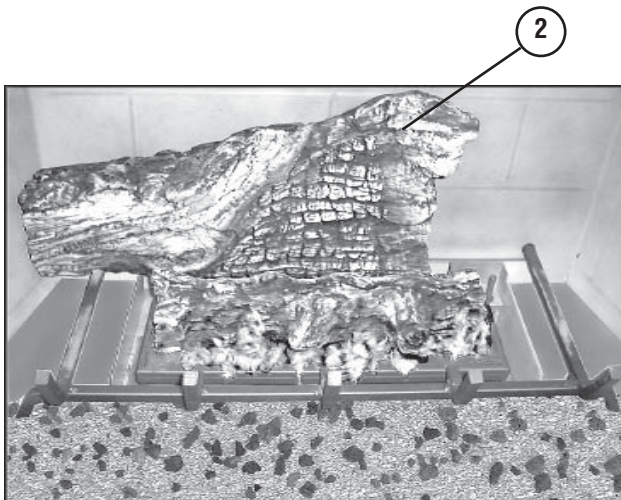
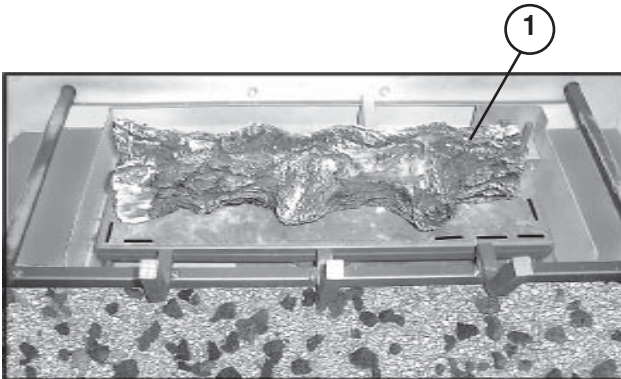


Figure 30

Step 10. CHECKING APPLIANCE OPERATION

With gas line installed run initial system check-out before closing up the front of the unit. Follow the pilot lighting instructions provided in the Homeowner's Care and Operation Instructions. For piezo igniter location see **Figure 31**

Note: Instructions are also found on the literature tag attached to the gas valve train.

When first lighting the appliance, it will take a few minutes for the line to purge itself of air. Once purging is complete, the pilot and burner will light and operate as indicated in the instruction manual. Subsequent lightings of the appliance will not require such purging. Inspect the pilot flame (remove logs, if necessary, handling carefully).

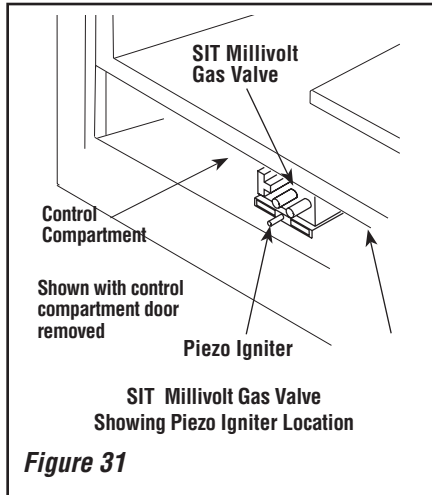


Figure 31

SIT Millivolt Appliance Checkout

The pilot flame should be steady, not lifting or floating. Flame should be blue in color with traces of orange at the outer edge.

The top 3/8" (10 mm) at the pilot generator (thermopile) and the top 1/8" minimum (tip) of the quick drop out thermocouple should be engulfed in the pilot flame. The flame should project 1" (25 mm) beyond the hood at all three ports (**Figure 32**).

Replace logs if removed for pilot inspection.

To light the burner; turn "ON" the remote wall switch and rotate the gas valve control knob counterclockwise to the "ON" position.

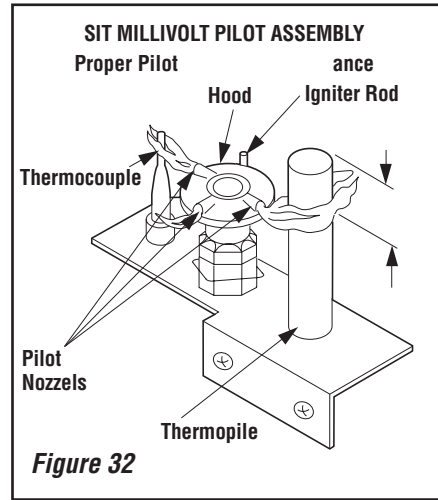


Figure 32

Electronic Appliance Checkout

To light the burner, turn 'ON' the optional remote wall switch and turn the gas control switch to the "ON" position. Ensure the igniter lights the pilot. The pilot flame should engulf the flame rod as shown in **Figure 33**.

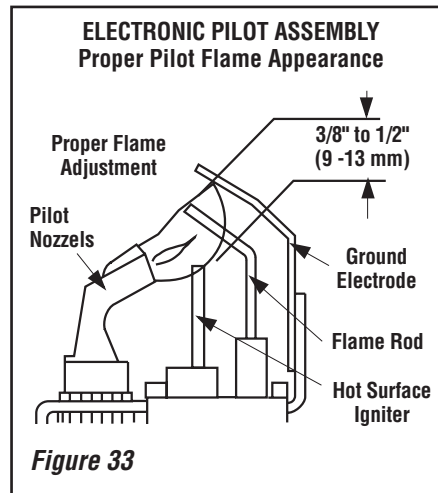


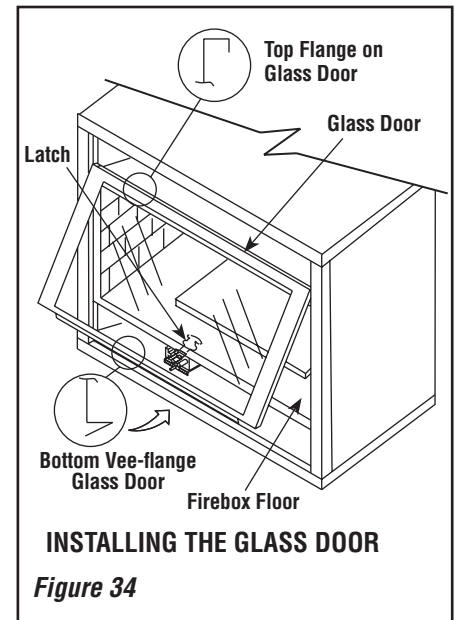
Figure 33

Step 11. INSTALLING THE GLASS DOOR

Retrieve the glass door. Visually inspect the gasket on the backside of the frame. Gasket surface must be clean, free of irregularities and seated firmly.

Position the door in front of the firebox opening with the bottom of the door held away from the fireplace (**Figure 34**). Hook the top flange of the door frame over the top of the firebox frame.

Let the bottom of the door frame swing gently in towards the fireplace ensuring that the gasket seats evenly as the door frame draws shut. Fasten the latch located underneath the firebox floor to the door's vee-flange. Close the latch securely.



INSTALLING THE GLASS DOOR

Figure 34

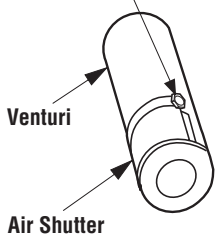
WARNING

Handle this glass with extreme care! The glass panel is susceptible to damage – do not scratch while handling or while re-installing the glass door frame.

Step 12. BURNER ADJUSTMENTS

Note - The air shutter for the burner primary air opening is factory-set. Do not adjust the factory-set position. The factory-set position is shown in **Figure 35**.

Setscrew - Factory Located in the Natural Gas Position; Relocate Set Screw for LP/Propane Gas in the Alternate Position. See Table for Air Shutter Openings for these Setscrew Locations.



Main Burner Factory Air Shutter Opening Setting - Inches (millimeter)		
Model	Natural Gas	Propane Gas
MPB-3328	Fully Closed	3/16" (4.76 mm)
MPB-3530	Fully Closed	3/16" (4.76 mm)
MPB-4035	Fully Closed	3/16" (4.76 mm)
MPB-4540	Fully Closed	3/16" (4.76 mm)

Figure 35

Step 13. SPILLAGE TEST

After appliance installation, perform this spillage test to verify that proper venting conditions exist:

- Place unit in its normally-operated condition, that is, with the glass enclosure panel in place.
- Close all doors and windows in the room. Turn on all exhaust fans in the house.
- Light the appliance.
- Wait 15 minutes.
- To check for venting action, start by holding a smoke producing device below the glass enclosure panel. The smoke should be drawn into the control compartment. Continue the test by moving the smoke producing device along the entire length of below the glass door.
- If the smoke is not drawn into the control compartment, turn off the appliance and call a qualified service technician.**

Manually-Reset Safety Limit Switch

This appliance is equipped with a manually-reset blocked flue safety limit switch. Refer to **Figure 36** for its location. If, during appliance operation, the flame goes out (independently of the burner on/off wall switch), it may be due to the operation of this safety limit switch. **First allow the appliance to cool.** Remove top louver panel. Then reset the safety limit switch by pushing the red reset button, located between the wire terminals, on the back of the switch. See **Detail A of Figure 36** for location.

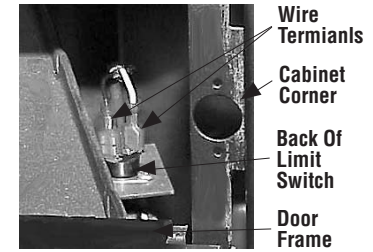
The appliance should then relight and remain lit. Reinstall top louver panel. If the appliance does not relight, **turn off the appliance and call for a qualified service technician.**

To replace the blocked flue safety limit switch refer to Figure 36 (Details B and C):

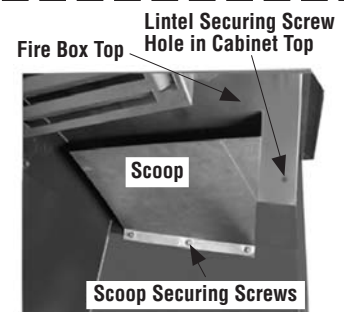
NOTE - This procedure should only be performed by a qualified service technician.

Important - Turn electrical power off before beginning this procedure.

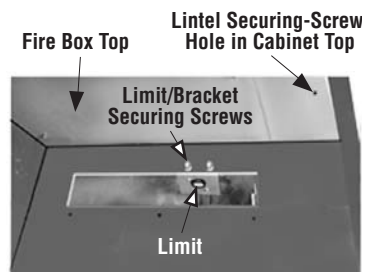
- Lower the bottom control compartment access panel. Remove the glass enclosure panel: open the latch (located in the center of the unit front opening, under the firebox floor) securing the glass enclosure panel. Remove the panel by tilting it outward at the bottom and lifting it up. Set the door aside protecting it from inadvertent damage. See **Figure 34 on Page 16**.
- Remove the lintel securing screws (3) and then remove the lintel. One of the lintel cabinet top holes is shown in **Figure 36 (Detail B)**.
- Remove the scoop securing screws (3) and then remove the scoop. See **Figure 36 (Detail B)**.
- Remove the safety switch bracket securing screws (2), and pull the switch/bracket assembly, with low voltage wires attached, through the side panel slot into the firebox. See **Figure 36 (Detail C)**.
- Replace the switch.
- Reinstall the switch/bracket assembly.
- Reinstall the scoop and lintel.
- Reinstall the glass enclosure panel.
- Raise the bottom control compartment access panel.
- The appliance should then relight and remain lit. If this does not occur, check unit for a blocked flue condition.



Detail A



Detail B



Detail C

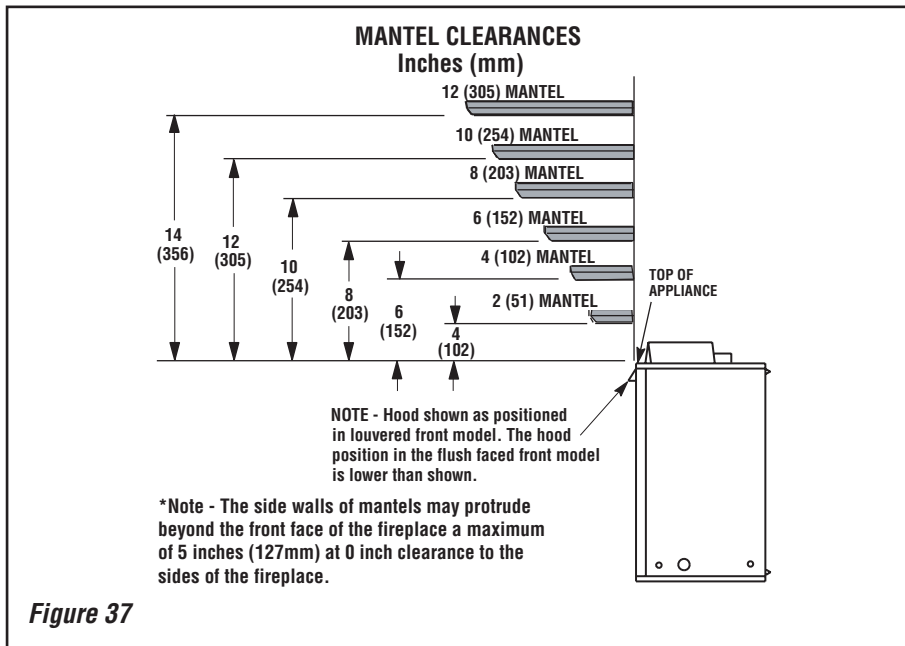
Blocked Flue Safety Limit Location - Inside View of Firebox - Top/Right Side Intersection

Figure 36

Step 14. HOOD INSTALLATION

All of these appliances must have a hood installed prior to operating on the side with a glass enclosure panel.

On louvered face units, slide the hood into the slots on the lower edge of the cabinet top (see **Figure 38**).



FINISHING REQUIREMENTS

Wall Details

Complete finished interior wall. To install the appliance facing flush with the finished wall, position framework to accommodate the thickness of the finished wall (*see Figure 38*).

A hearth extension is not required with this appliance. If a hearth extension is used, do not block the control compartment access panel. Any hearth extension used is for appearance only and does not have to conform to standard hearth extension installation requirements.

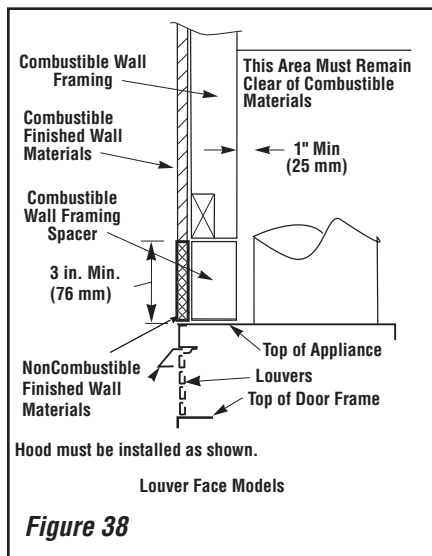
Note: Combustible wall finish materials and/or surround materials must not be allowed to encroach the area defined by the appliance top spacers. Never allow combustible materials to be positioned in front of or overlapping the appliance front face and top spacers. See *Figure 38*.

Non-combustible materials, such as surrounds and other appliance trim, may be installed on the appliance front face with these exceptions: they must not cover any portion of the glass or louvers.

Vertical installation clearances to combustible mantels vary according to the depth of the mantel. (*refer to Figure 37*). Mantels constructed of non-combustible materials may be installed at any height above the appliance opening; however, do not allow anything to hang below the hood.

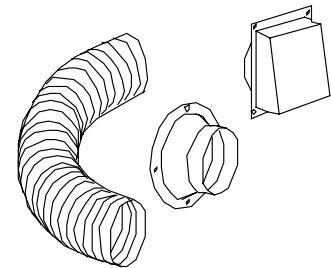
COLD CLIMATE INSULATION

If you live in a cold climate, seal all cracks around your appliance with noncombustible material and wherever cold air could enter the room. It is especially important to insulate outside chase cavity between studs and under floor on which appliance rests, if floor is above ground level.



INSTALLATION ACCESSORIES

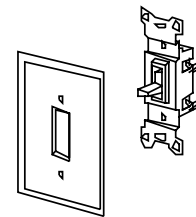
The following accessory items are available for use in the installation of this appliance.



Outside Combustion Air Kits		
Cat. No.	Model No.	Description
81L87	FOAK-4	Combustion Air Kit (w/duct)
81L88	FOAK-4LD	Combustion Air Kit (w/o duct)

Outside Air Kits Models FOAK-4 and FOAK-4LD

Outside Air kits are available with duct (FOAK-4) and without duct (FOAK-4LD) for use if outside combustion air is required or desired. If model FOAK-4LD is used it must be used in conjunction with locally purchased, non-combustible Class 1 or Class 0 flexible duct.



White Wall Switch Kit		
Cat. No.	Model No.	Description
85L87	FWSK	OFF/ON Wall Switch Kit

OFF/ON Wall Switch Kit

The OFF/ON wall switch kit may be used to control the operation of the fireplace burner. Install the OFF/ON wall switch in a convenient location near the fireplace.

GAS CONVERSION KITS

⚠ WARNING

This conversion kit shall be installed by a qualified service agency in accordance with the manufacturer's instructions and all applicable codes and requirements of the authority having jurisdiction. If the information in these instructions is not followed exactly, a fire, explosion or production of carbon monoxide may result causing property damage, personal injury or loss of life. The installation is not proper and complete until the operation of the converted appliance is checked as specified in the owner instructions supplied with the kit.

The qualified service agency performing this installation assumes responsibility for this conversion.

⚠ AVERTISSEMENT

Cet Équipement de conversion sera installé par une agence qualifiée de service conformément aux instructions du fabricant et toutes exigences et codes applicables de l'autorité ayant la juridiction. Si l'information dans cette instruction n'est pas suivie exactement, un feu, explosion ou production de protoxyde de carbone peut résulter le dommages causer de propriété, perte ou blessure personnelle de vie. L'agence qualifiée de service est responsable de l'installation propre de cet Équipement. L'installation n'est pas propre et complète jusqu'à l'opération de l'appareil converti est chaque suivant les critères établis dans les instructions de propriétaire provisionnées avec l'équipement.

In Canada:

THE CONVERSION SHALL BE CARRIED OUT IN ACCORDANCE WITH THE REQUIREMENTS OF THE PROVINCIAL AUTHORITIES HAVING JURISDICTION AND IN ACCORDANCE WITH THE REQUIREMENTS OF THE CAN1-B149.1 AND .2 INSTALLATION CODE.

LA CONVERSION DEVRA ÊTRE EFFECTUÉE CONFORMÉMENT AUX RECOMMANDATIONS DES AUTORITÉS PROVINCIALES AYANT JURIDICTION ET CONFORMÉMENT AUX EXIGENCES DU CODE D'INSTALLATION CAN1-B149.1 ET.2.

Gas conversion kits are available to adapt the appliance from the use of one type of gas to the use of another. These kits contain all the necessary components needed to complete the task including labeling that must be affixed to ensure safe operation.

Kit part numbers are listed here and the following steps detail the conversion procedure.

Step 1. Turn off the gas supply to the appliance. Remove the front glass door/frame from the appliance. Access the control compartment.

Step 2. Carefully remove the logs. Exercise care so as not to break the logs.

Step 3. Locate the screws securing the burner assembly to the appliance. Remove the burner assembly and retain the securing screws.

<i>Millivolt SIT Systems Natural Gas To Propane Gas Conversion Kits</i>	
Models	Cat. No.
MPB-3328	H2009
MPB-3530	H2011
MPB-4035	H2013
MPB-4540	H2015

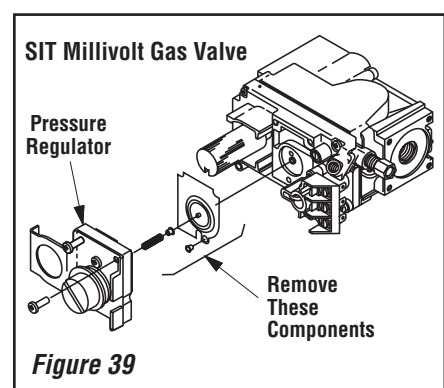
<i>Millivolt SIT Systems Propane to Natural Gas Conversion Kits</i>	
Models	Cat. No.
MPB-3328	19M43
MPB-3530	H2012
MPB-4035	H2014
MPB-4540	H2016

<i>Electronic HONEYWELL Systems Natural Gas To Propane Gas Conversion Kits</i>	
Models	Cat. No.
MPB-3328	26M59
MPB-3530	26M60
MPB-4035	26M61
MPB-4540	26M62

<i>Electronic HONEYWELL Systems Propane Gas To Natural Gas Conversion Kits</i>	
Models	Cat. No.
MPB-3328	19M45
MPB-3530	26M64
MPB-4035	26M65
MPB-4540	26M66

Step 4. Millivolt Appliances - SIT Systems

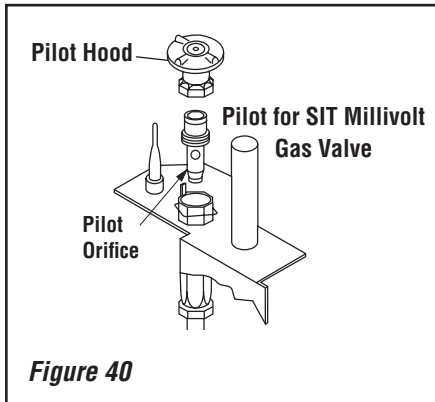
a. Refer to **Figure 39** and the instructions provided with the kit. Using a Torx T20, remove and discard the three pressure regulator mounting screws. Remove the pressure regulator, spring, poppet, diaphragm and bushing. Discard all removed components. Ensure the rubber gasket installed on the back of the replacement pressure regulator is properly positioned and install the new pressure regulator using the new screws supplied with the kit. Tighten screws to 25 In. lb. torque.



NOTE: DIAGRAMS & ILLUSTRATIONS NOT TO SCALE.

b. Attach manometer to the manifold side pressure test fitting and verify manifold pressure reads 3.5 inches water column (0.87 kPa) for natural gas, and 10.0 inches water column (2.49 kPa) for propane gas.

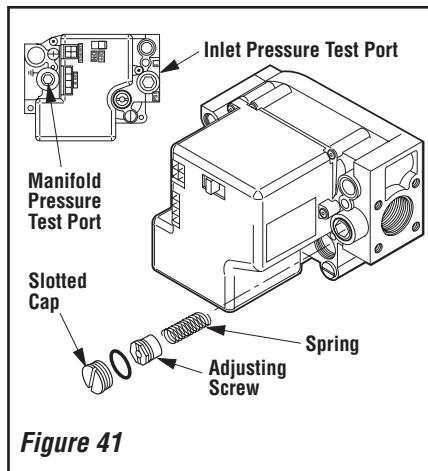
c. Refer to **Figure 40** and remove the pilot hood assembly to access the hexed pilot orifice. Remove and replace the orifice with the one provided with the kit.



Step 5. Electronic Appliances - Honeywell Systems

See **Figure 41** and the instructions provided with the kit. Remove the slotted cap screw, o-ring, pressure-regulating adjusting screw and spring. Retain all parts for possible later use. Install new components from the kit. Black cap and red spring for propane gas units. Silver cap and stainless steel spring for natural gas units.

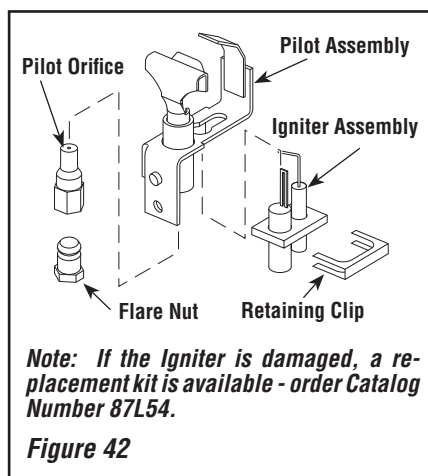
Before installing the cap, attach manometer to the manifold side pressure test fitting and adjust screw until pressure reads 3.5 inches water column (0.87 kPa) for natural gas, and 10.0 inches water column (2.49 kPa) for propane gas.



See **Figure 42** and replace the pilot orifice as follows: Remove the igniter assembly retainer clip, and carefully remove the igniter assembly.

Exercise extreme care to prevent damage to or breakage of the igniter assembly. Remove the screw securing the pilot assembly to its mounting bracket. Back off the flare nut at the end of the pilot gas line to free the pilot assembly from the gas line. Remove the pilot orifice and replace it with the one provided with the conversion kit. Reinstall the pilot assembly by reversing the steps detailed here.

When reinstalling the igniter assembly, use extreme care to prevent damage and breakage. Do not apply any leverage to the igniter assembly while restoring the retainer clip to its original position.

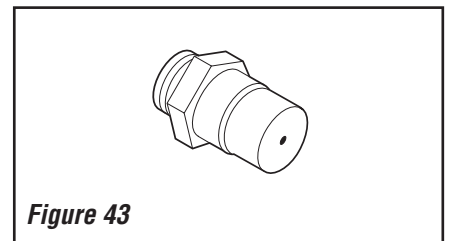


All Models

Step 6. Remove the orifice from the manifold and replace it with the one provided with the kit. See **Table 7** for orifice sizes for natural and propane models. **Figure 43** illustrates the orifice.

Burner Orifice Sizes Elevation 0-4500 feet (0-1372 meters)		
Models	Natural Gas drill size (inches)	Propane Gas drill size (inches)
MPB-3328	#47 (.0785")	#1.2mm (.048")
MPB-3530	#44 (.086")	#55 (.052")
MPB-4035	#37 (.104")	1/16" (.0625")
MPB-4540	#36 (.1065")	#52 (.0635")

Table 7



Step 7. Reassemble all removed components by reversing the procedures outlined in the preceding steps. Use pipe joint compound or Teflon tape on all pipe fittings before installing (ensure propane resistant compounds are used in propane applications, do not use pipe joint compounds on flare fittings).

Step 9. Attach the conversion label provided in the conversion kit to the rating plate on the appliance.

Step 10. Turn on gas supply and test for gas leaks.

NOTE: DIAGRAMS & ILLUSTRATIONS NOT TO SCALE.

The manufacturer reserves the right to make changes at any time, without notice, in design, materials, specifications, prices and also to discontinue colors, styles and products. Consult your local distributor for fireplace code information.



HEARTH PRODUCTS
1110 West Taft Avenue • Orange, CA 92865