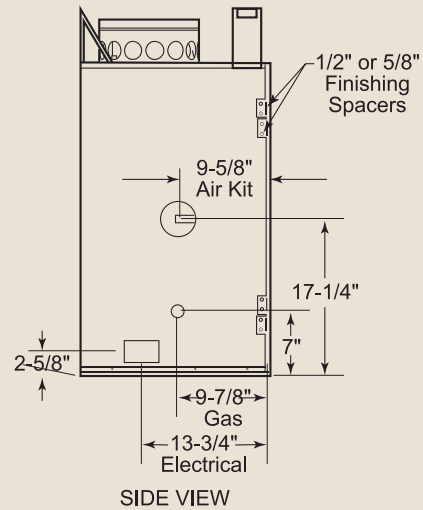
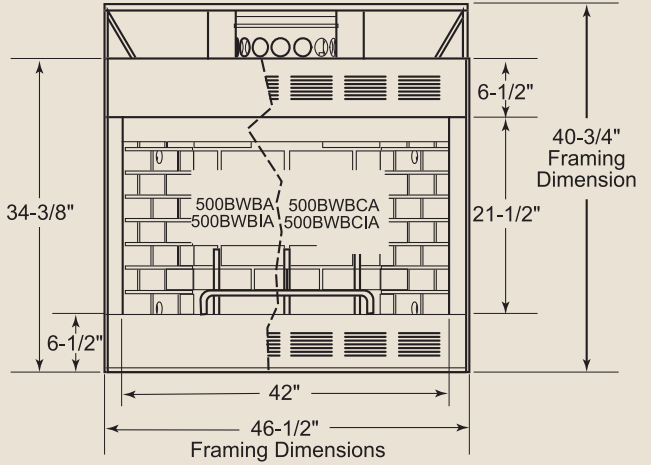
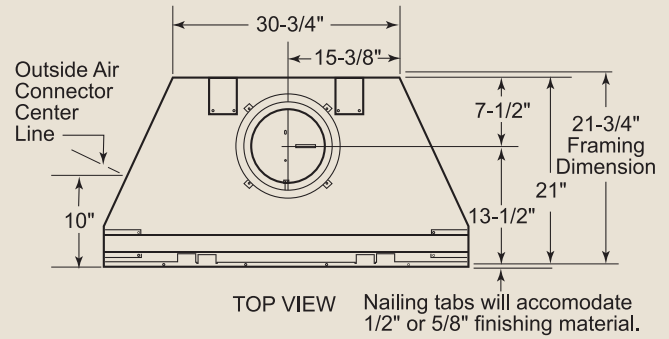


PRODUCT SPECIFICATIONS

BWB500A/BWB500IA Radiant and BWBC500A/BWBC500IA Circulating Wood Burning



INTERIOR DIMENSIONS

Front opening width: 42"
 Front opening height: 21-1/2"
 Rear wall width: 26-3/8"
 Hearth Depth: 17"

TECHNICAL INFORMATION

Flue Series(Std.): "S" Double Wall
 Flue Size: 8" Inner; 11" Outer
 Clearance to Flue: 2"
 Firestop Framing**: 14-1/2" x 14-1/2"
 Minimum Flue Height: 13'
 Maximum Flue Height: 86'
 Minimum Height with 2 Elbows: 13'
 Minimum Height with 4 Elbows: 20'
 Clearance to Fireplace: 3/4"
 Minimum Hearth Size (D x L): 20" x 66"
 UL Design Certified: Report #MH7603
 ** Clearance reduces to 1-3/4"

FIELD INSTALLED ACCESSORIES

Bi-Fold Glass Doors: GD42PBA (Polished Brass finish), GD42BA (Black), GD42SSA (Stainless)
 Fan Kit: FA2A
 Outside Air Kit: AK4, FP4U, 403
 Terminations(Std.): "S" Series SC, SCL, CF8, SQ8, LFSQT, CP



A Brand of Monessen Hearth Systems Co.
 149 Cleveland Drive, Paris, Kentucky 40361

www.monessenhearth.com



To avoid personal injury or property damage, the product described by this brochure must be installed, operated and maintained in strict compliance with the instructions packaged with the product and all applicable building or fire codes. Contact local building or fire officials about restrictions and installation inspection requirements. All photographs and drawings on this brochure are for illustrative purposes only and are not intended for, nor should they be used as a substitute for the instructions packaged with the unit. Appearance and specifications of the product are subject to change without notice. © 2007 Monessen Hearth Systems Co.