



# The VF Collection

Vent-Free Gas Fireplaces



More Choices for  
Every Style.

# The VF Collection Vent-Free Gas Fireplaces

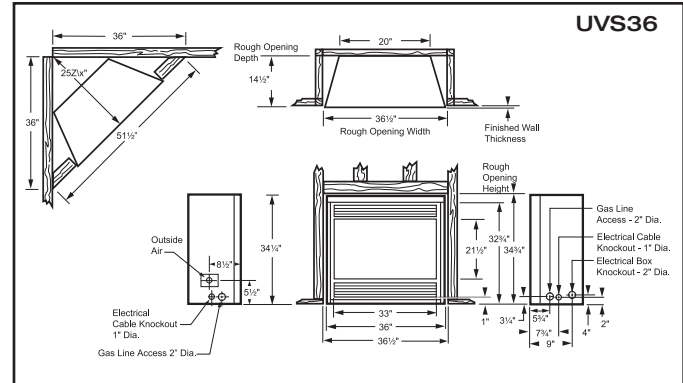
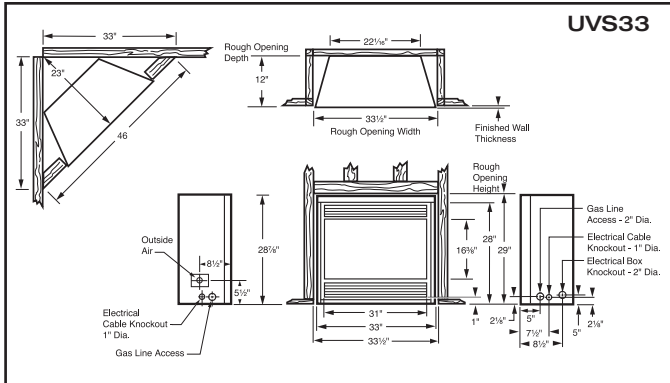
## Models • UVS33 • UVS36 • UV36



### The VF Collection: UVS33 & UVS36

More choices for even more style.

With The VF Collection gas fireplaces, you can add the warmth of a fire almost anywhere you desire. Since no venting is required, you can actually install under a counter, within a cabinet, or into the wall. The UVS33 and UVS36 offers all top quality construction and design features that homeowners expect, with the added benefit of 99+% efficiency.

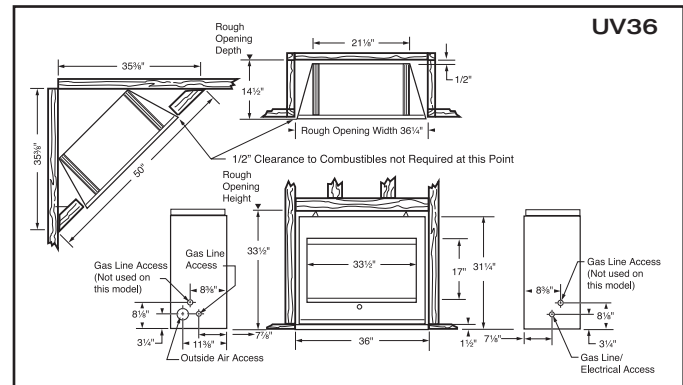


### The VF Collection: UV36 Model

The VF collection UV36 series gas fireplace offers the benefits of vent-free technology in a convenient package that can be installed almost anywhere. Projecting less than 15" into the room, the UV36 provides great design flexibility.

### Models & Ratings

Model	Min. Input (BTUH)	Max. Input (BTUH)
UV36	18,000 - 23,000	29,000
UVS33	7,500 - 15,000	10,000 - 20,000
UVS36	17,500 - 18,750	25,000



### Features & Benefits

#### UV36

- Fixed steel mesh firescreen
- Standard full brick-patterned refractory lining
- Heat deflecting hood protects projecting woodwork above the fireplace opening
- Tube burner system
- 24" gas log set with glowing bed of embers
- Convenient on/off switch
- Available in natural gas and propane

#### UVS33/36

- Circulating vent-free gas fireplace with large viewing area and fixed screen front
- Ceramic burner system for durability and realism
- Shallow depth allows for unobtrusive, go-anywhere installation
- Wall switch kit for convenient on/off operation
- Realistic five-piece split oak ceramic fiber log set
- Available with standing pilot with manual adjustable control
- Available in natural gas and propane

#### Options

- Convenient hand-held remote control
- Fan kit for added heat circulation
- 4" hoods in black and 4" extended hoods in black for UV36 models only
- "Glass and Catalytic Kit" includes glass front and patented PuriFlame catalytic filter system for cleaner air – only for UVS36
- Various trim kits and face kits for the UVS33 and UVS36 models
- Ceramic fiber firebox liner for UVS33 & UVS36 models



ph: 1.800.525.1898

www.vermontcastings.com  
www.majesticproducts.com

YOUR DEALER