

UK Subject to change

Document Ref:
FP-82/19156/PMR36/issue 1/May 02

Copyright©
These instructions are the sole property of Ferm-Omega Tools and may not be reproduced

USER'S MANUAL

Ferm Planer

FP-82

CE



Ferm[®]

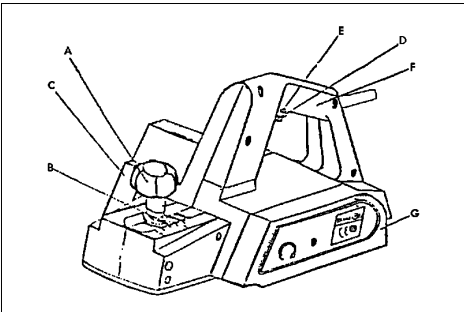
Art.nr. 719265
Screwfix Art.nr. 19156

**FERM PLANER FP-82
USERS MANUAL**

TECHNICAL SPECIFICATIONS

Voltage	230 V~
Frequency	50 Hz
Power input	600 W
No load speed	16000/min
Max. planing width	82 mm
Max. planing depth	2 mm
Weight	6.5 kg
Lpa (sound pressure)	89 dB(A)
Lwa (sound power)	103 dB(A)
Vibration	<2.1 m/s ²

PRODUCT INFORMATION



- A Depth adjustment knob
- B Depth scale
- C Right cover
- D On/Off switch
- E Release button
- F Handle
- G Bolt cover (left)

This doubly insulated electric tool is designed to be manually operated. It has an appealing shape and small dimensions, which facilitate easy transportation. It is safe and reliable when in operation. It is driven by a single-phase electric motor via a V-belt. It is suitable for planing wooden beams or boards.

SAFETY INSTRUCTIONS

The following symbols are used in these instructions for use:

Denotes risk of personal injury, loss of life or damage to the tool in case of non-observance of the instructions in this manual.

Denotes risk of electric shock.

Carefully read this manual before using the machine. Make sure that you know how the machine functions and how to operate it. Maintain the machine in accordance with the instructions to make sure it functions properly. Keep this manual and the enclosed documentation with the machine.

Ferm products are manufactured to high quality standards they are safe and fit for purpose at time of sale, but all tools can be dangerous if the correct precautions are not taken. Always follow these instructions, do not carry out the operation until you are sure you can do so in safety. Remember to consider the work environment for safe operation as well as safety for tool use.

Warning! When using electric tools, basic safety precautions should always be followed to reduce the risk of fire, electric shock and personal injury. Read all these instructions before attempting to operate this product. Save these instructions for future reference.

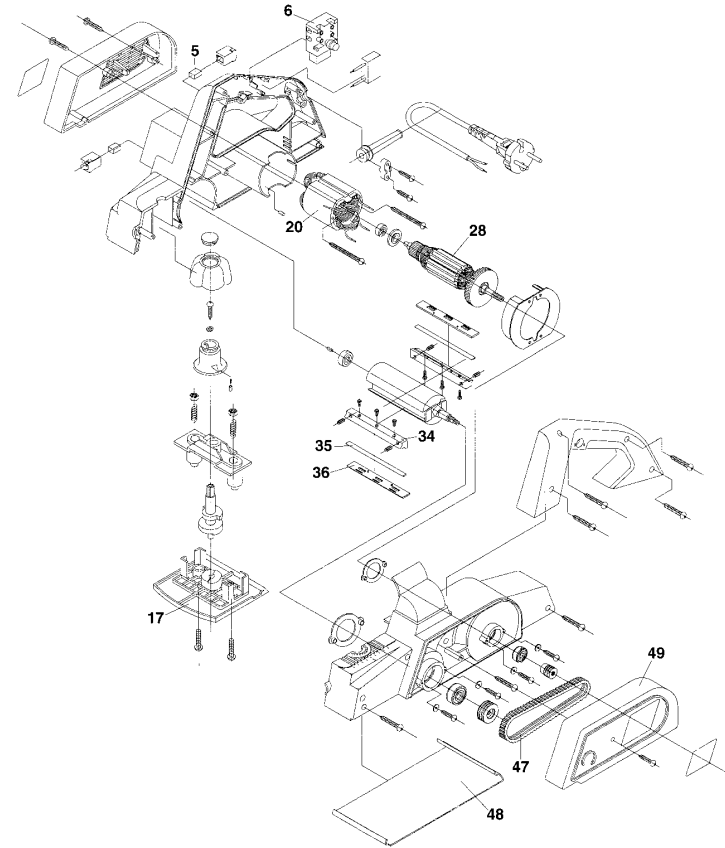
**PERSONAL SAFETY
Use Personal Protection Safety Equipment**

Protect eyes with safety glasses or goggles note: the use of safety protective eyewear without the CE mark can lead to serious injury if the lens breaks. A suitable dust mask should be worn if cutting, drilling or sanding is dusty, in particular chipboard or MDF. Approved safety footwear and headgear should worn as appropriate, for example on building works or when heavy weights are involved. Wear suitable gloves and apron to protect against sparks/debris. Wear earplugs or ear defenders.

Dress properly
Do not wear loose clothing or jewellery. It can get caught in moving parts. Non-skid footwear is recommended when working out doors. Wear protective hair covering to contain long hair.

Stay alert
Watch what you are doing Use common sense. Do not operate tools when tired or after taking alcohol or prescription/ non-prescription drugs.

EXPLODED VIEW



SPARE PARTS LIST FP-82

REF NR	DESCRIPTION	FERM NR
5	CARBON BRUSH	406445
6	SWITCH	406442
17	ADJUSTING PLATE	406506
20	STATOR	406447
28	ROTOR	406446
34	UPPER PRESSING BOARD	406502
35	BLADE	319266
36	LOWER PRESSING BOARD	406503
47	DRIVING BELT	406443
48	BASE	406449
49	LEFT COVER	406444
-	DUST BAG	406504

A damaged part or guard should be properly repaired by an authorised service centre, unless indicated otherwise in the instruction manual. Have defective switches replaced by an authorised service centre. Do not use a tool if the switch does not turn on and off.

Have your tool repaired by an expert

This appliance is manufactured in accordance with relevant safety standards. Only experts must carry out repairing of electrical appliances, otherwise considerable danger for the user may result.

Storing tools

When not in use tools should be stored in the dry, out of reach of children.

ELECTRICAL INFORMATION

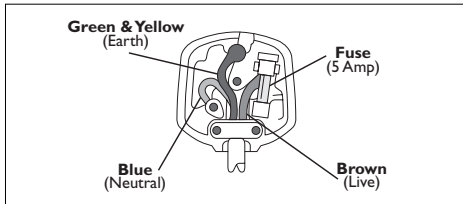
This product is complete with a pre-wired mains plug, if the plug needs replacing follow these instructions.

This planer is double insulated in accordance with EN 50144 therefore no earth wire is required.

Wire correctly

The wires in the mains lead are coloured in the following way:

- BLUE** • Neutral
- BROWN** • Live



Securing wires

Secure wires carefully and firmly to the correct terminals. Secure the mains cable in the plug cord grip firmly. Fit a 5-amp fuse. If a 13amp (BS1363) plug is used a (BS1362) ASTA approved 5-amp fuse must be fitted.

Recycle/Dispose of old plug and cable

Prevent inadvertent connection to socket and risk of electric shock.

ENVIRONMENT

Recycle the packaging according to the identification marks on it.

At the end of the product or its accessories life please recycle where facilities exist. Phone the Helpline for current advice on recycling.

Helpline

For any questions relating to operational or safety matters contact:

Ferm Customer Helpline on: **0115 966 1199**
Monday-Friday **8am – 6pm**
Saturday **9am – 1pm**

GUARANTEE

The guarantee conditions can be found on the separately enclosed guarantee card.

CE DECLARATION OF CONFORMITY (UK)

We declare under our sole responsibility that this product is in conformity with the following standards or standardized documents

EN50144-2-14, EN50144-1
EN55014-1, EN61000-3-2,
EN61000-3-3, EN55014-2

in accordance with the regulations:

98/37/EEC
73/23/EEC
89/336/EEC

from 01-04-2001
GENEMUIDEN NL
W. Kamphof
Quality department

OPERATIONAL SAFETY



Warning! Be aware this planer can produce fine dust, which can be hazardous to your health.

Always use a suitable mask, eye protection, and other personal protection equipment. Use dust extraction during working and cleaning.

Concentrate

Routine and repetition can lead to mistakes. Remember that a slight lack of concentration can result in serious injuries in a split second.

Keep work area clean

Cluttered areas and benches invite injuries.

Consider the work environment

Do not expose power tools to rain or use them in damp or wet locations. Keep work area well lit. Do not use power tools in the presence of flammable liquids, vapours or gases.

Guard against electric shock

This unit contains dangerous voltages. Use a RCD (residual current device) to provide protection against electrical shock. Prevent body contact with grounded surfaces (e.g. pipes, radiator, ranges or refrigerators).

Keep children and pets away

Do not let children or pets come into contact with the tool, extension cable or work area.

Do not force the tool

It will work better and safer at the rate for which it was intended.

Use the right tool

Do not force small tools or attachments to do the job of a heavy-duty tool. Do not use tools for purposes for which they were not intended; for example do not use a circular saw for cutting trees or logs.

Do not abuse the cable

Never carry the tool by the cable or pull it to disconnect it from the power socket. Keep the cable away from heat, oil and sharp edges. Do not touch the metal plug pins when connecting or removing the plug.

Do not over-reach

Keep a proper footing and balance at all times.

Disconnect tools from power supply

When not in use, before servicing and when changing accessories such as blades, bits and cutters.



Always switch off and unplug the planer from the power supply before making adjustments or changing belts.

Remove adjusting keys and wrenches

Ensure that they are removed from the tool before switching on.

Avoid unintentional starting

Do not carry plugged in tools with your finger on the switch. Check that the switch is off before plugging in to socket.

Extension cables

Use only three core earthed extension cables suitable for the power input of the tool (minimum cable size 1.5mm²). Plug into an earthed socket only.

When using a cable reel unwind it fully. Do not use long extension cables.

Outdoors use

If the tool is suitable to be used outdoors, only use an extension cable intended for outdoor use and marked accordingly. Use a RCD (residual current device) to provide protection against electrical shock. Do not use in rain or damp conditions.

Connect a dust extraction device

Whenever there are facilities for fitting a dust or fume extraction system, make sure it is connected and used.

Use recommended accessories

The use of an accessory or attachment other than recommended in the instructions or catalogue may present a risk of personal injury. Use an extension cable with a minimum conductor size of 1.5mm².

When using a cable reel unwind it fully.

BEFORE USING THE PLANER



The planer is designed to plane wood or wood derived products only. This machine is designed to be used hand held only. Do not fix to a bench with clamps or vice

BEFORE OPERATING

- Check the voltage on the planer corresponds with your power supply voltage and that the plug and lead are in good condition.
- The planer is only for use on dry surfaces. It is not designed to be used in wet or damp conditions.

Planing painted surfaces

- Be especially careful if you plane older painted surfaces, they may contain harmful lead. Wear personal protection equipment during the job and cleaning up the debris.
- Be aware painted surfaces dull the blade quickly.
- Use cutters designed for the planer only. Install facing the right way
- Ensure you have and wear suitable personal protection equipment during planing and cleaning.
- Route the mains lead away from work area.
- Run idle for 30 seconds. If there is any abnormal vibration or other fault, switch off, inspect and rectify before continuing

FITTING THE SHAVING COLLECTOR BAG



Ensure the planer is switched off and unplugged.

Refer to illustration page 2.

Shaving/dust collector bag (supplied)

- The bag attaches to the opening (A) at the side of the machine.
- Push the bag assembly onto the dust exhaust hole firmly with the lug uppermost.
 - During use empty bag frequently, there is a zip at the bottom of the bag for this purpose.

Note: The bag can be removed by pinching the spring clip with your fingers; this allows a shaving/dust extractor (not supplied) to be attached.

FITTING THE PLANER GUIDE



Ensure the planer is switched off and unplugged.

Refer to illustration page 2.

- Loosen the guide lock knob on front face of planer.
- Slide the guide assembly arm into the hole indicated from the left-hand side of the planer (flat edge facing forwards).
- Tighten lock knob firmly by hand.

Note: If the planer guide is not being used, screw the guide lock knob in tightly to prevent it being lost.

USING THE PLANER

OPERATION



Make sure the switch on the planer is OFF.

Refer to illustration page 2.

- Plug into a suitable mains supply. Check the cable is routed well away from moving parts and switch on at plug.

To switch the planer ON

- Press button (E) with your thumb and depress switch (D) with your forefinger.
- Once the planer is running you can release the button (E).

To switch OFF

- Release trigger switch (D).

To adjust the planing depth

- Turn the height control knob (A) to indicate the depth required. The pointer indicates the planing depth in mm on scale (B).

Note: This scale is for indication only, if you require an accurate dimension. Measure the work piece and remove material accordingly.

To make a cut

- Place the front edge of the planer on the workpiece (without the blades touching) and switch on.
- Let the machine come to full speed before gently moving the planer forward to start the cut.
- Keep the planer flat on the surface of the workpiece.
- When the cut is finished, switch off and let the machine come to a standstill before unplugging.
- Use both hands to control the planer.
- Only use the planer in an upright position, do not plane workpieces from the sides or underside.

DURING USE

- Secure the workpiece in a vice or with clamps.
- Let the machine come to full speed before using.
- Use gentle pressure. Excessive pressure will overheat the motor and slow the planing action.
- Check for screws/nails etc in the workpiece.
- Regularly inspect the blades during use (switch off first) for signs of damage or wear and replace as required.
- Keep the machine moving straight, in line with the grain. This allows the debris to be cleared easily and increases the life of the blades.
- Keep your hands away from the blades
- Keep the ventilation slots clear. Clean dust and debris with soft brush (switch off and unplug first)
- Shavings/dust collection. Always use the shavings bag supplied, it does not provide complete protection from very fine dust, therefore it is strongly recommended that a suitable dust mask should be worn in addition to other personal protection items

MAINTENANCE, CARE AND REPAIR



Switch off and unplug the machine before carrying out any cleaning or maintenance work.

CLEANING

Wear personal protection equipment during cleaning. Do not use water or flammable liquids to clean the planer, clean with a soft brush.

FITTING/REPLACING THE DRIVE BELT



Ensure the planer is switched off and unplugged.

Refer to illustration below.

- Remove the crosshead screw securing the cover (G) on the left-hand side of the machine with a suitable screwdriver.
- Remove the cover.
- Remove the old belt by pulling upwards and rolling off the smaller diameter pulley.
- Fit the new belt in the same manner (make sure that the belt is located in all of the pulley grooves).
- Replace the cover and screw and tighten.

REPLACING THE PLANER BLADES

When the planer blades wear, replace them as below; spares are available from the Helpline.



Ensure the planer is switched off and unplugged.



Use suitable gloves. Planer blades are sharp!

Refer to illustration below.

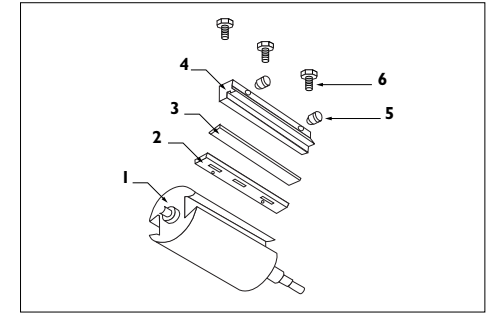
Note: The blades are double edged and can be reversed to use the other edge.

Removing the planer blade

- Turn the planer upside down.
- Use the open-end 8mm spanner (supplied) to undo the three nuts on the blade assembly anticlockwise.
- Carefully push the blade (3) sideways out of the blade assembly, use a small flat blade screwdriver (not supplied).
- You will see there is a groove in the casing on the left-hand side to enable the blade to be removed.

Install a new blade

- Slide the new blade in the reverse way of removal, make sure it's fully into the blade assembly and all the other parts are in place.
- Line up the assembly with the sides of the planer drum (1).
- Tighten the three firmly screws clockwise to secure.
- Check the blades are in correctly, then revolve the drum by hand to check the blades do not foul the casing – it they do readjust them.



FAULTS

Switch OFF immediately at the mains plug and remove the plug when:

- The plug or cable is damaged.
- The switch on the machine is defective.
- You smell or see smoke caused by scorched insulation in the machine.

Overheating

- Put less pressure on the workpiece.
Take to Ferm Dealer for examination.
- The shavings are not removed.
*Clean the shaving extraction opening.
Empty the shavings collector bag.*

The machine does not start when switched on

- Check the mains lead and the fuse/plug.
Take to your Ferm Dealer for repair.

The machine starts but does not plane

- Belt broken.
Replace as directed or take to Ferm Dealer for examination.
- The motor is defective, (frequent or strong sparks from the commutator).
Take to your Ferm Dealer.

There are no user serviceable/repairable parts inside this machine. Qualified service engineers must carry out repairs and servicing.

LUBRICATION

The machine requires no user lubrication.

MAINTAIN TOOLS WITH CARE

Keep the tool clean for better and safer performance. Follow instructions for changing accessories. Inspect tool and extension cables periodically and if damaged, have them repaired by a qualified person or authorised service body.

Check for damaged parts

Do not use a tool with damaged parts, before further use a damaged tool must be carefully checked by a qualified person to determine that it will operate properly. Check for alignment of moving parts, binding or breakage of parts, mounting and other conditions that may affect its operation.