

The Regal Group Designer Series
Direct Vent Gas Fireplaces



The Regal Group
Regal style
Regal performance.

The Regal Group

Add a truly Regal look to your home.

Unrivaled beauty. Unrivaled flair. The Regal Group is perfect for full-size homes, or spacious rooms where the warmth and beauty of a Cove, See-Through, or Corner fireplace can be enjoyed. Elegance. Style. And more. That's the Regal Group from Majestic.

Features & Benefits of Regal Designer Fireplaces

Standard Features

- Patented Insta-Flame Ceramic Burner System for durability and unsurpassed realism
- Expanded fire box size
- Two to three sides of tempered glass window
- Ceramic fiber refractory brick lining
- Up to 8 logs
- Authentic log grate
- Lava Rock
- CSA design certified
- Approved as a vented gas fireplace heater
- Upper & lower polished brass window trim
- Available with standing pilot or electronic ignition with manual adjustable control
- Limited lifetime warranty assures quality and dependability

The Regal Group Designer Series Direct Vent Gas Fireplaces feature unique venting capabilities:

- Reversible top/rear venting makes for easy, go-anywhere installation
- Can be vented up to 20 feet through a side wall, vertically through the roof up to 40 feet and below grade levels with a snorkel kit (basements)

The Regal Dual View Two-Sided Models 360DVS2

Two rooms, one fireplace - it's that simple. The Majestic® 360DVS2 See-Through gas fireplace can be conveniently installed in between two adjacent rooms, so that you can take pleasure from the view of flickering flames on both sides.

Optional Trims available only on the 360DVS2

- Medium polished or antique brass and pewter trim (3 3/4" wide)
- Beautifully crafted cast iron bay window, surround and mantel shelf
- Bar louvers and hood face kit (all black)
- Steel bay window kit
- Gold Plated, Pewter or Black screen door kits and louvers





**The Regal Crossing
Corner Models 360DVSL/R**

Majestic gas fireplace model 360DVSL/R is specially designed for left or right corners. Through the angle, it depicts a spectacular view of flames. Perfect for a study or master bedroom, this model is sure to attract attention. Polished brass accents are standard.



**The Regal Bay
Bay Models DVRTSB**

The Majestic DVRTSB Bay direct vent fireplace offers an alluring view of flames through three generously sized windows. Ideal for both new homes and remodeling projects – design possibilities are endless! With Majestic’s flexible venting options, this unit can be installed almost anywhere.

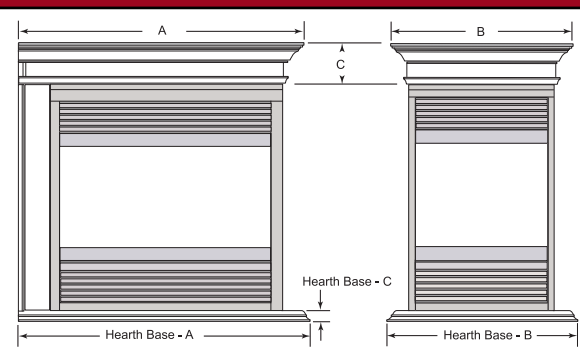


**The Regal Cove
Cove Models 360DVS3**

The Majestic 360DVS3 Cove gas fireplace features three sides of glass from which to feel the warmth and admire the flames. Great as a room divider, bar or entertainment centre, this model is the ultimate in elegance in any decor - traditional or modern. Polished brass accents are standard. Pewter accents are optional.

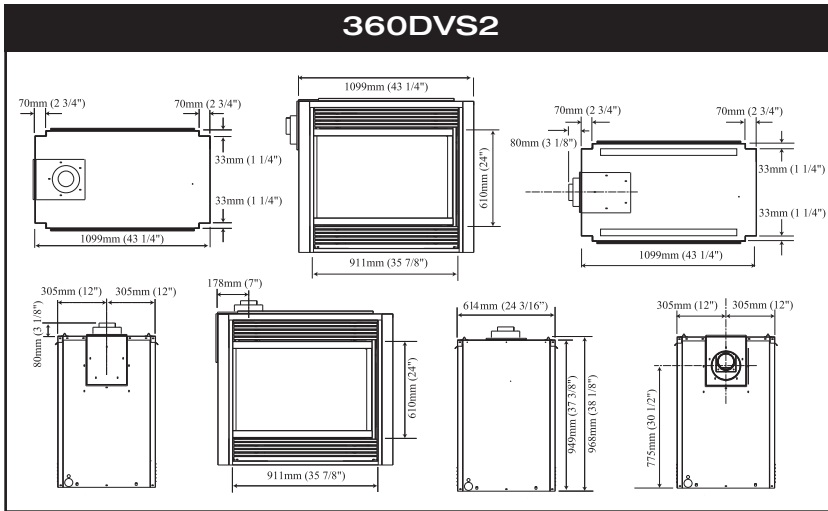
The Bridgewater Mantel cap

This specially designed mantel cap is created to compliment the three-sided Regal Cove fireplace 360DVS3. The Bridgewater includes the hearth base and side panels. It is optional and available in Premium Cherry finish and Medium Oak.



Model	Description	Hearth Base			Total Height			
		A	B	C				
BRMMO360S3	Mantel Cap w/Hearth Base in Medium Oak Finish	45 5/8" (1153 mm)	28 3/4" (730 mm)	8" (203 mm)	46" (1168 mm)	30" (762 mm)	2" (951 mm)	45 5/8" (1153 mm)
BRMPC360S3	Mantel Cap w/Hearth Base in Premium Cherry Finish	45 5/8" (1153 mm)	28 3/4" (730 mm)	8" (203 mm)	46" (1168 mm)	30" (762 mm)	2" (951 mm)	45 5/8" (1153 mm)

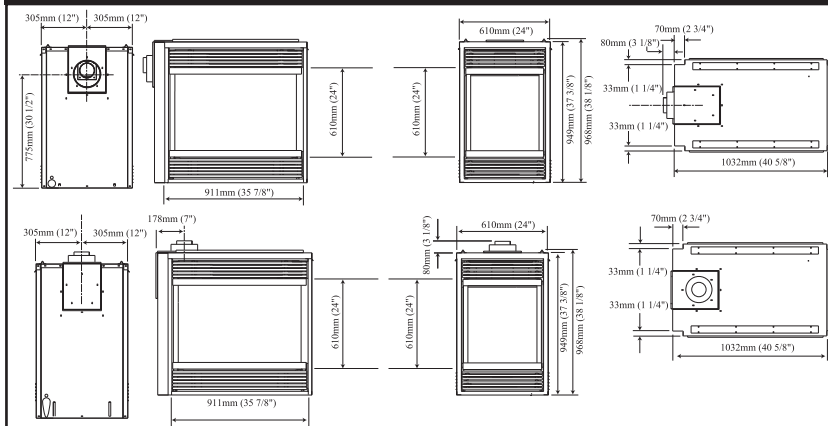
The Regal Group Designer Series Direct Vent Gas Fireplaces
 Models • 360DVS2 • 360DVS3 • 360DVSL/R • DVRTSB



Framing Dimensions

Ref.	Rear Vent Configuration	Top Vent Configuration
ROD	24" Minus two times finishing material thickness to be even with face of unit	
ROH	981 mm (38 5/8")	Not to be framed until unit is set in place due to 3 1/8" allowance for flue collar
ROW	Not to be framed until unit is set in place due to 3 1/8" allowance for flue collar	1111 mm (43 3/4")

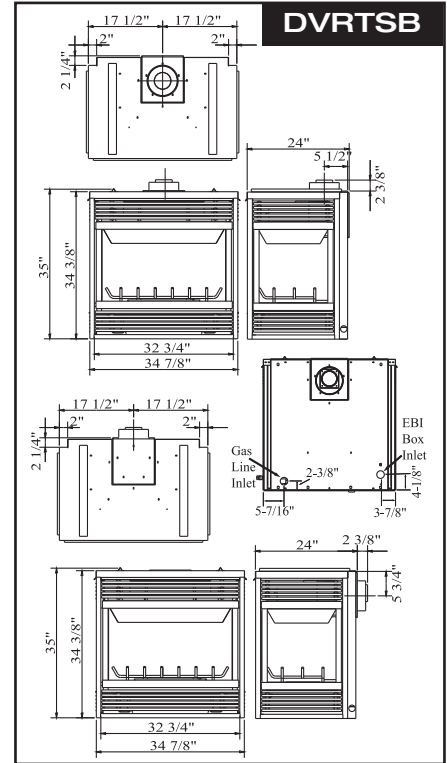
Models 360DVS3 / 360DVSR / 360DVSL



Framing Dimensions

Ref.	Rear Vent Configuration		Top Vent Configuration	
	360DVS3	360DVSL/R	360DVS3	360DVSL/R
MODEL				
ROD	See Note 1	See Note 2	See Note 1	See Note 2
ROH	981 mm	38 5/8"	Not to be framed until unit is set in place due to 3 1/8" allowance for flue collar	
ROW	40 5/8" Minus one time finishing material thickness to be even with face of unit			

NOTE 1: 24" Minus two times finishing material thickness to be even with face of unit
 NOTE 2: 24 3/4" Minus one time finishing material thickness to be even with face of unit



MODEL	FUEL	MAX INPUT	MIN INPUT	EFFICIENCIES*		
				ENERGUIDE RATING	STEADY STATE RATING	AFUE BY D.O.E. RATING
360DVSL RN	Natural Gas	38,000 BTU	26,600 BTU	62.4 %	84 %	65 %
360DVSL EN	Natural Gas	38,000 BTU	26,600 BTU	64.2 %	84 %	65 %
360DVSR RN	Natural Gas	38,000 BTU	26,600 BTU	62.4 %	84 %	65 %
360DVSR RP	Propane	38,000 BTU	28,500 BTU	62.4 %	85 %	65 %
360DVSR EN	Natural Gas	38,000 BTU	26,600 BTU	64.2 %	84 %	65 %
360DVS3 RN	Natural Gas	38,000 BTU	26,600 BTU	64.2 %	84 %	65 %
360DVS3 RP	Propane	38,000 BTU	28,500 BTU	64.2 %	85 %	65 %
360DVS3 EN	Natural Gas	38,000 BTU	26,600 BTU	62.4 %	84 %	65 %
360DVS2 RN	Natural Gas	38,000 BTU	26,600 BTU	62.4 %	84 %	65 %
360DVS2 RP	Propane	38,000 BTU	28,500 BTU	62.4 %	85 %	65 %
360DVS2 EN	Natural Gas	38,000 BTU	26,600 BTU	64.2 %	84 %	65 %
DVRTSB RN	Natural Gas	30,000 BTU	21,000 BTU	58.4 %	82 %	64 %
DVRTSB RP	Propane	30,000 BTU	22,500 BTU	58.4 %	83 %	64 %

* Data available upon request.

Canada
ENERGUIDE
 Look for the **EnerGuide** Gas Fireplace Energy Efficiency Rating in this brochure
 Based on CSA P.4.1-02



YOUR DEALER



ph: 1.800.525.1898
 www.vermontcastings.com
 www.majesticproducts.com