

HEARTHVIEW GAS FIREPLACES





HEARTHVIEW GAS FIREPLACES

1

AMERICA'S FAVORITE FIRE

Lopi heating appliances are designed and hand-assembled at our state-of-the-art plant in Mukilteo, Washington. With over 25 years of experience manufacturing innovative hearth products, Lopi has gained a reputation for standing behind every single product we make. And one thing that hasn't changed through the years is the beauty of our fireplaces, along with performance you can trust and our commitment to your satisfaction.

Whether you are new to the family of Lopi heating appliances or already a part of our family, we invite you to take a look at our newest line of gas fireplaces. We know you'll find your favorite fire.

WHY BUY A LOPI GAS FIREPLACE?

Lopi builds only the highest quality fireplaces. We start with a heavy-gauge, steel firebox for many years of enjoyment. Notice the detail, beauty and thickness of our variety of faces. They won't rattle or warp like many cheaper brands. Compare for yourself! We use 5mm silica coated ceramic glass, for the maximum in strength and durability. Our quiet, highly efficient convection fans circulate heat more quickly and thoroughly through your home. For the best in design, safety, ease-of-operation and comfort, demand a Lopi fireplace and find out why we're America's Favorite Fire!

HOW DO YOU SAY LOPI?

We hear a lot of different pronunciations - Lopey...Loopee...Loppy!

It's actually pronounced Low-pie, and was created by our president, Kurt Rumens. The name was inspired by a love of the Pacific Northwest, a fascination with Native American culture and the nature and wildlife that live in this beautiful place. Lopi means beauty, strength and independence and has become a legend all its own.

SEVEN YEAR "REAL WORLD" WARRANTY

Lopi's "Real World Warranty" puts other manufacturers limited lifetime warranties to shame. You will have the peace of mind knowing that your gas fireplace is supported by certified factory trained installers and retailers. The firebox on Lopi gas fireplaces is covered for a **FULL 7 YEARS**. All parts and labor are covered for a **FULL 2 YEARS**. Compare our Warranty to other manufacturer's and you will find most won't tell you about their one year parts warranty or that there is no labor coverage after the first year on ANYTHING! Lopi truly offers the **BEST WARRANTY ON GAS APPLIANCES!**



"Lopi is not so much a brand name as it is a tradition - of craftsmanship in the construction of our gas fireplaces, and of pride to the families who own them. We invite you to share this proud tradition."

KURT RUMENS
President

HEARTHVIEW GAS FIREPLACES



TWO GREAT FIREPLACES - ONE GREAT VIEW

Lopi now has two great fireplaces with one great looking package - choose the inside or "engine" of the fireplace that meets your heating needs, and then choose the rest of the fireplace to enhance the look of your home.

HEARTHVIEW TRV (TOP OR REAR VENT)



The Hearthview TRV top or rear vent is perfect for warmer climates, smaller spaces, or a beautiful, decorative fire all year long. It features a wide BTU turn down range for more heat flexibility and flame viewing options. A wide range of face styles and options are available to create your favorite fire.

HEARTHVIEW HH (HOME HEATER)



The Hearthview HH Home Heater offers more heat for colder climates and heats larger spaces - up to 2,250 sq. ft. It can be vented to two additional heat zones for faster transfer of heat to those areas. It includes the award-winning Ember-Fyre™ burner and gives you a gentle, consistent heat. The same great options available in the TRV are yours for the HH.

	1 HEARTHVIEW TRV	2 HEARTHVIEW HOME HEATER
Heating Capacity	Up to 1,400 Sq. Ft.	Heat up to 2,250 Sq. Ft.
Maximum Btu/Hour Input	31,000 Btu (NG/LP)	40,000 Btu (NG) 39,000 (LP)
Minimum Btu/Hour Output	6,700 Btu (NG) 5,200 (LP)	23,000 Btu (NG and LP)
Convection Fan	Thermosatically controlled variable speed 180 CFM fan. Ordered as an option.	Thermosatically controlled variable Speed 180 CFM fan. Comes standard with fireplace.
Burner Technology	Two-stage pan burner with independent controls.	Ember-Fyre™ Burner System with High Definition burner top with ember detail
Viewing Glass	Tempered glass with screen	Durable, 5mm silica coated ceramic glass
Log Set	4 Piece log set	Highly detailed 9 piece log set
Fireback Liner	Optional accessory	Required to complete installation
Optional Power Heat Duct Kit	Allows you to duct heat directly to one additional heat zone.	Allows you to duct heat directly to two additional heat zones.



WHY CHOOSE A DIRECT VENT SYSTEM?

The American Lung Association discourages the use of ventless fireplaces for health and environmental reasons. They recommend homeowners choose only sealed, direct vent gas fireplaces to preserve indoor and outdoor air quality and to prevent by-products such as carbon monoxide, soot and nitrogen dioxide from entering your home. Sealed gas fireplaces also prevent excess moisture from building up in your house. All Lopi direct vent gas fireplaces are sealed and meet the guidelines of the American Lung Association's Health House program.



HEARTHVIEW HOME HEATER

3

Hearthview Fireplace shown with basic black face and weathered common brick fireback

HEARTHVIEW HOME HEATER



4



Hearthview Fireplace shown with basic black face with pewter grill kit and weathered common brick fireback.



HEARTHVIEW TRV

5



Hearthview Fireplace shown with black Wilmington face, optional Weathered Common Brick fireback and Wrought Iron andirons (shown without screen).

HEARTHVIEW TRV (TOP OR REAR VENT)



6

ULTIMATE FLAME REGULATION

You can have virtually unlimited flame variation with our Comfort Control™ valve and the Flame Height Adjuster Knob. (1) Enjoy a full flame fire with maximum height. (2) Use the Flame Height Adjuster Knob to turn the flames lower when you want less heat. (3) Use the Comfort Control valve to turn off the rear burner completely for a darker, more romantic fire and less heat.



Figure 1.



Figure 2.



Figure 3.

RELIABILITY

Our standing pilot system generates enough electricity to ensure the Hearthview TRV will operate even if the power goes out. Rest assured you will be able to heat your home even in the worst of storms.

VENTING TECHNOLOGY

The option of venting from the top or the rear of the fireplace means you can install the Hearthview virtually anywhere in your home. Our direct vent technology is a completely safe and closed system that preserves the air quality in your home and protects your health.

HEATING EFFICIENCY

The Hearthview TRV gas fireplace is ideal for year-round fire enjoyment since it's versatile enough to be a highly efficient heater or used for a low-heat decorative display of flames. From a low of 5,200 Btu's (LP) or 6,700 Btu's (NG) to a high of 31,000 Btu's, you can enjoy maximum heat in winter and lower heat with decorative flames on warmer nights, anytime of year. Add the optional high-volume, low-noise convection fan to increase the heat output on cold days. And by adding the optional Power Heat Duct, you can quickly add heat to one additional heat zone.

REALISTIC FIRE

We've perfected the art of making gas fire look as much like a real wood fire as possible. From the performance and color of the flames to the logs hand carved with intricate detail, you'll be amazed at the beauty and realism of the Hearthview fire. The Hearthview TRV comes standard with a removable mesh safety screen. The screen protects against burns if the glass is touched and stops glare on the glass for a better fire view.

Maximum Btu's/Hr. 31,000 (NG & LP)	Turn down rate to 6,700 (NG) 5,200 (LP) Btu's/Hr.	Steady State Efficiency 77.2% (NG) 78.4% (LP)	Heating Capacity up to 1,400 Sq. Ft.	Two-Stage Pan Burner Technology	Variety of Face, Fireback and Andiron Combinations	Optional 180 CFM Convection Fan	Standing Pilot Heats even when the power is out
--	--	---	--	---------------------------------------	---	--	--

Gas appliance performance can be affected by negative pressure in a home and by prevailing atmospheric conditions. Contact local building or fire officials about restrictions and installation requirements in your area. Heating capacity may vary depending on the degree of home insulation, floor plan and ambient temperature zone of the area in which you live.



HEARTHVIEW HH (HOME HEATER)

7

HEATING EFFICIENCY

You get higher efficiency and higher BTUs in the same size firebox with the Hearthview Home Heater. The Home Heater is designed to give you a gentle, consistent heat circulating throughout your home without overheating the room where the fireplace is installed. This allows you to enjoy the fire for as long as you like, not just when it is cold. You still get the huge view of the fire, but more heat for larger rooms and living spaces. You can also direct heat to two additional heat zones within your home with the optional Power Heat Duct Kits.



Illustration shows natural convection and Power Heat Duct Kits

INSTALLATION FLEXIBILITY

You can install the Hearthview Home Heater in virtually any room in your home thanks to the option of venting from the top or rear of the firebox. The safe, sealed system of our direct vent technology preserves your health and your home's air quality.



AWARD WINNING FLAMES

The Hearthview Home Heater also includes a new style of our patented, award-winning Ember-Fyre burner technology. This upgraded burner has been improved by an enhanced aesthetic with crisper coal bed details and hand painted logs. It also features a more consistent flame performance for the ultimate in fire realism.

DURABILITY

The Hearthview Home Heater uses a heavier gauge steel firebox in the construction over the Hearthview TRV and most other gas fireplaces on the market. In addition, the Hearthview HH features 5 mm silica coated ceramic glass, which prevents sulfur oxidation on the glass to help it stay cleaner longer and make it easier to clean. Silica coated ceramic glass is also the safest, most durable and shock absorbent fireplace glass you can buy.

HOME COMFORT

The gentle, consistent heat of the Hearthview Home Heater lets you enjoy the fire in your fireplace for longer periods of time without overheating the room. The powerful yet quiet 180 CFM convection fan, which comes standard with the Hearthview HH, is designed to circulate the heat throughout your home. So you can enjoy more visiting with friends, more play time with the family or more romance in front of a beautiful, glowing fire.

Maximum Btu's/Hr. 40,000 (NG) 39,000 (LP)	Turn down rate to 23,000 Btu's/Hr. (NG and LP)	Steady State Efficiency 80% (NG) 81% (LP)	Heating Capacity up to 2,250 Sq. Ft.	Patented Ember-Fyre™ Burner Technology	Variety of Face, Fireback and Andiron Combinations	Standard 180 CFM Convection Fan	Standing Pilot Heats even when the power is out
---	--	---	--------------------------------------	--	--	---------------------------------	---

Gas appliance performance can be affected by negative pressure in a home and by prevailing atmospheric conditions. Contact local building or fire officials about restrictions and installation requirements in your area. Heating capacity may vary depending on the degree of home insulation, floor plan and ambient temperature zone of the area in which you live.

IS IT A WOOD OR GAS FIRE?



PATENTED EMBER-FYRE™ BURNER FEATURED ON THE HEARTHVIEW HH

U. S. Patented # 6,602,068, 6,443,726 and other patents pending

Lopi features the patented Ember-Fyre™ burner system. Popular Science® magazine awarded the prestigious “BEST OF WHAT’S NEW” award to the Ember-Fyre as one of the year’s top achievements in Science and Technology. This combustion system delivers an efficiency of up to 81%. The level of realism is so remarkable it is difficult to tell apart from our wood burning appliances. Unlike other gas burners, the pilot is hidden. There are no unsightly burner tubes or metal pans and the fire and glowing embers are just as beautiful on the low flame setting as they are on high.

HOW IT WORKS:

1. Natural gas or propane is piped to a sophisticated SIT™ gas valve and started with the reliable Pizeo ignition system. This gas burner is designed to provide reliable, continuous operation even if the power goes out in your home.
2. The low-pressure gas then flows to a precisely engineered burner orifice.
3. A hidden mixing tube mixes the gas with outside air. (The standard mix is set by the installer to compensate for variations in altitude, fuel type, and line pressure).
4. The gas/air mixture flows through a unique array of burner ports in the ceramic base, where it ignites and burns.
5. As the Ember-Fyre heats to a deep red 1200°F, it mimics the look of glowing wood embers and charred logs. Dancing yellow flames further enhance the look and feel of a real wood fire.
6. For hands-free operation the optional remote control or wall thermostat allows you to set and maintain the comfort level of your home.





HEARTHVIEW FACE OPTIONS

On either model (TRV or HH) you have the choice of the Basic Black Grill Set, Pewter Grill upgrade, Black Wilmington Face, Pewter Wilmington Face, and Pewter Arabesque Grills which work on either of the Wilmington Faces. The beautiful Weathered Brick Ceramic fireback is available to complement all face designs.

9



Hearthview with Basic Black Grill Set



Hearthview with Pewter Plated Grill Set



Black Painted Wilmington Face



Hearthview with Black Painted Wilmington Face Pewter Plated Arabesque Grills



Pewter Plated Wilmington Face



Hearthview with Pewter Plated Wilmington Face Pewter Plated Arabesque Grills



*Hearthview TRV
shown installed with
J. C. Huffman's
Roman Mantle.*

**MANUFACTURED
TILE & MANTELS**

You can choose a beautiful new hearth system and often have it installed in as little as one afternoon. Companies such as Hearth Classic™, Grand Mantel™ and J. C. Huffman™ have provided one-stop solutions. Choose your favorite Lopi fireplace, tile or stone hearth products, and custom wood mantels - they are all designed to work in perfect harmony. No need to search for craftsmen or finish carpenters. Ask your Lopi dealer for more details.

www.jchuffman.com
www.hearthclassics.com
www.grandmantel.com

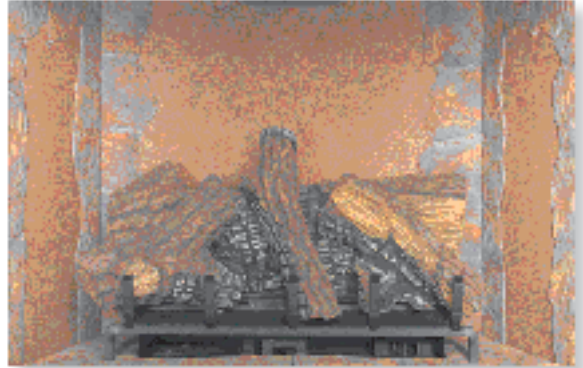


*Hearthview TRV
shown installed in a
Grand Mantle
Saratoga mantle .*



HEARTHVIEW OPTIONS

11



OPTIONAL DECORATIVE FIREBACK

In addition to adding a gorgeous face to the outside of your fireplace, you can also decorate the inside. Beautiful, hand-painted designs in realistic Weathered Common Brick or Stucco and Stone will give your fireplace that built-in masonry look and accentuate the style of the room.



OPTIONAL WARM ACCENT LIGHT

Add a warm glow to your fire even when it's turned off! The accent light adds a glowing backlight behind the flames when the fire is on, and enhances the pattern of the fireback when it's off. It's perfect as a nightlight or soft indirect light for the room any time.

CUSTOM ANDIRONS

Choose from three unique cast iron andiron styles to enhance the look of your fireplace. Andirons will give a traditional wood fire look to your fireplace. They will even make your fireplace look great even when the flames are off.



Colonial



Wrought Iron



Arabesque

ADDITIONAL OPTIONS



AROMATHERAPY TRAY



Secret Compartment



Your Hearthview fireplace will not only warm your home, but has an Aromatherapy option kit to soothe, relax and energize you with essential oils. "On Cloud Nine" contains Lavender oil to calm and relieve stress. It can also help you sleep. "Somebody Wake Up Edna" is made with Eucalyptus oil to stimulate and energize. It

improves mood as well as memory. "Love Potion #10" (better than #9!) uses Ylang Ylang to excite the senses with a sensual, intoxicating fragrance that is perfect for romance. Ask your Lopi dealer for a demonstration!



Essential Oil Kit

WALL THERMOSTAT

The wall thermostat can be wired up to 25 feet from the appliance and allows you to set the room temperature you wish to maintain in the room.



REMOTE CONTROL

The wireless remote control allows you to program the heat just the way you want it. Set the temperature as well as the shut-off time automatically. Also features a 6 hour safety shut-off. Can be used independently from the Convection Fan.



CONVECTION FAN

Heat your home even faster with our optional internal convection fan. The 180 CFM fan forces heat into the room and throughout your home to spread the heat quickly and evenly and enhance the fireplace's natural convection. It also turns on and off automatically to maintain the set temperature of the room when used with the optional remote or wall thermostat. This fan is a standard feature on the Hearthview HH.

EXTRA ROOM POWER HEAT DUCT KIT

Want to send heat to an additional room in your home? You can with the Extra Room Power Heat Duct kit! This optional venting configuration delivers heat to an upstairs, downstairs or any adjoining room within 20 feet of the fireplace. The Hearthview TRV can use one Power Heat Duct kit, while the Hearthview HH can utilize two to Power Heat Duct kits to send heat to two additional heat zones in your home.





HEARTHVIEW FRAMING SPECIFICATIONS

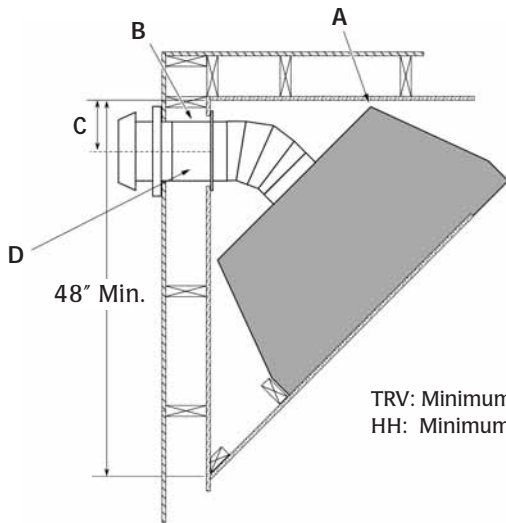
Please refer to the Installation Manual for all installation information. Installation Manual can be downloaded from the Lopi website under the specific product - www.lopistoves.com.

13

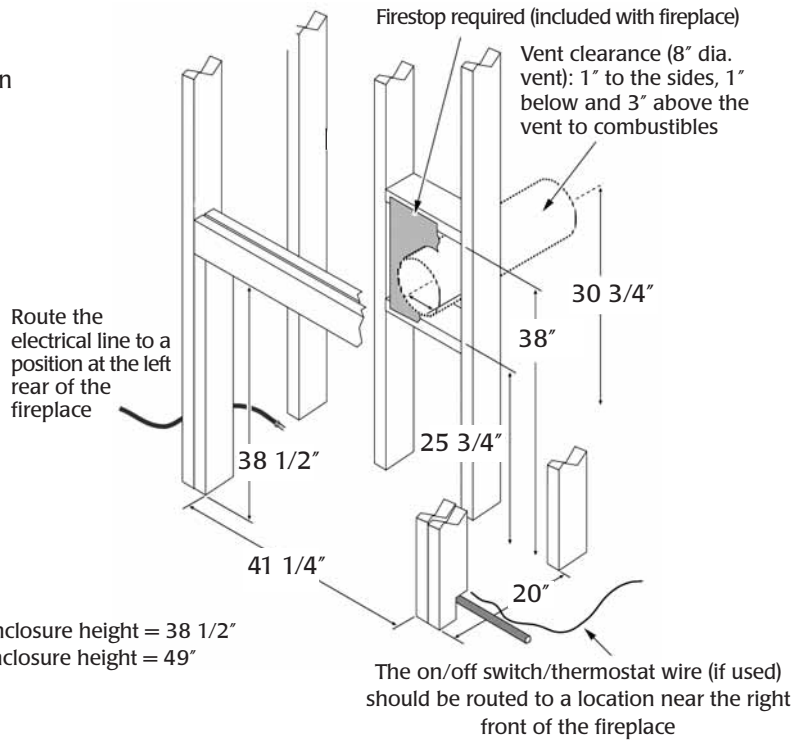
1 REAR VENT

MINIMUM FRAMING DIMENSIONS - REAR VENT

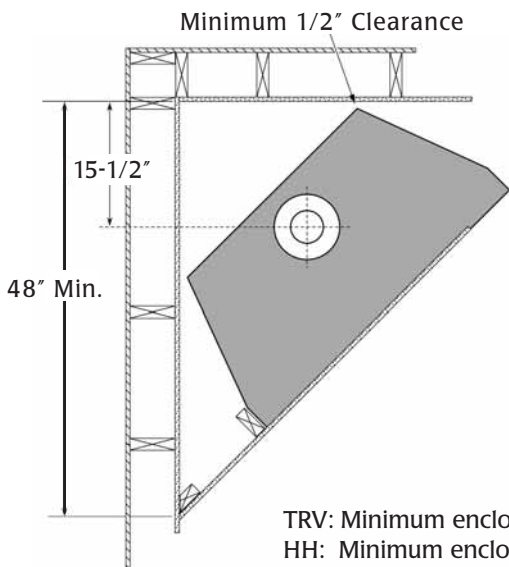
- A - Minimum 1/2" clearance
- B - Minimum 1" clearance
- C - 7 1/2" approximate, varies due to vent installation
- D - Most installations use:
 - 6" vent section for 2 x 6 walls
 - 4" vent section for 2 x 4 walls



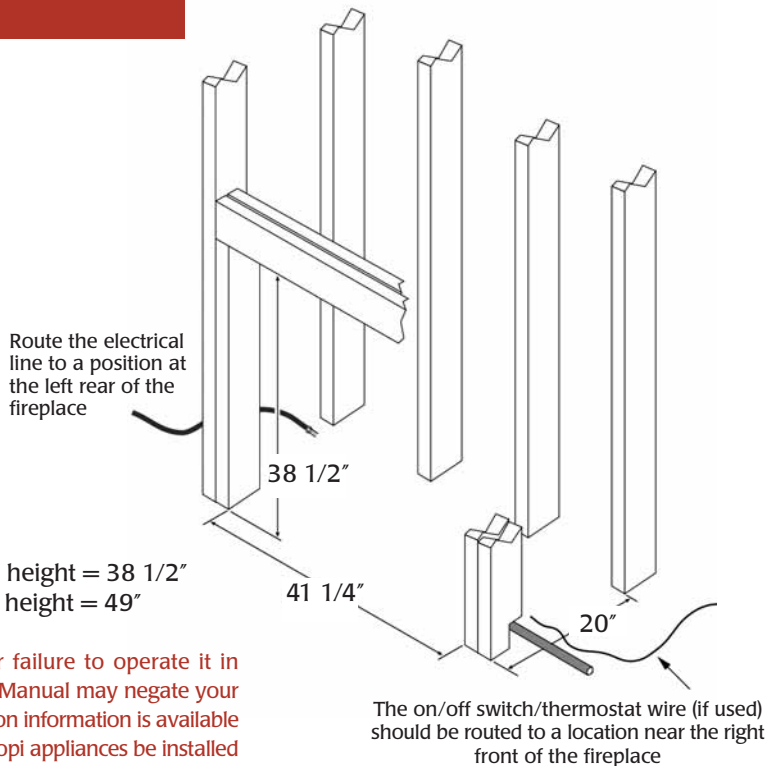
TRV: Minimum enclosure height = 38 1/2"
 HH: Minimum enclosure height = 49"



2 TOP VENT

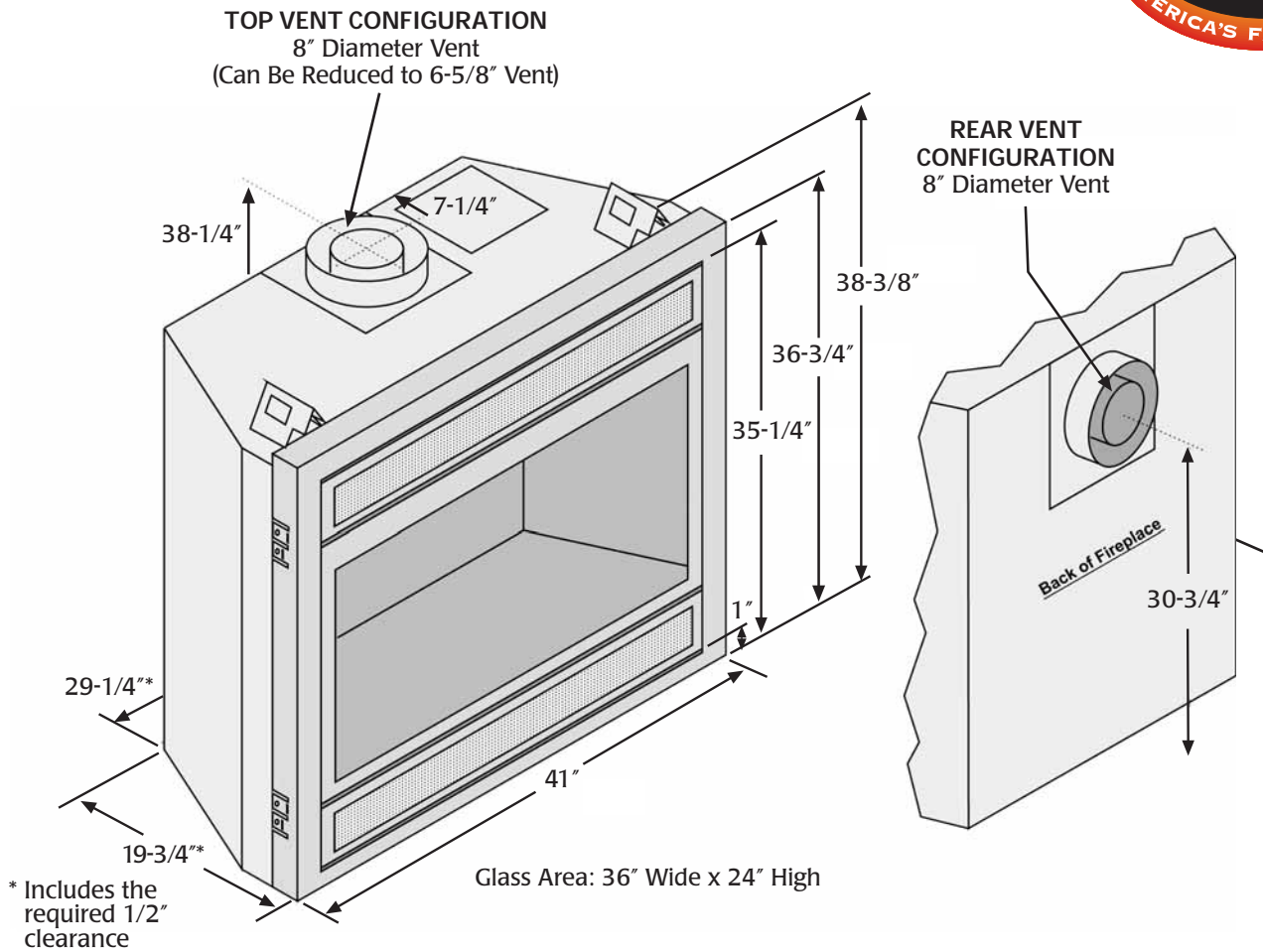


TRV: Minimum enclosure height = 38 1/2"
 HH: Minimum enclosure height = 49"



Note: Improper installation of your gas appliance or failure to operate it in accordance to the guidelines detailed in the Installation Manual may negate your warranty and endanger your home and family. Installation information is available on our website at www.lopifire.com. We recommend all Lopi appliances be installed and maintained on an annual basis by your Specialty Hearth Retailer.

FIREPLACE DIMENSIONS



APPROVED INSTALLATIONS

- Residential or Mobile Home
- Straight or Corner Placement
- Flush or Recessed Face
- Raised Hearth or Flush To The Floor
- Internal or External Chase
- Horizontal or Vertical Vent
- Bedroom Approved
- Outdoor Fireplace - see Damp Standard in Installation Manual

TESTING

Tested and listed by
 OMNI-Test Laboratories, Inc. - Report
 # 028-F-59-5 ANSI Z21.88b-2003

HEARTHVIEW OPTIONAL ACCESSORY WORKSHEET

From basic to ornate, you can customize your Hearthview fireplace to fit any decor or style.

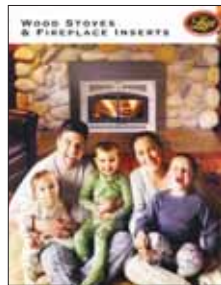
Hearthview TRV Fireplace	Sku # 98500170	\$	Weathered Brick Fireback*	Sku # 98500662	\$
Hearthview HH Fireplace	Sku # 98500180	\$	Stucco and Stone Fireback*	Sku # 98500665	\$
Basic Black Grill Set	Sku # 91002162	\$	Remote Control	Sku # 99300677	\$
Pewter Grill Set	Sku # 91002163	\$	Wall Thermostat	Sku # 99300650	\$
Black Wilmington Face	Sku # 99300496	\$	Power Heat Duct Kit (per kit)	Sku # 98500769	\$
Pewter Wilmington Face	Sku # 99300495	\$	180 CFM Fan (included on HH)	Sku # 99000156	\$
Arabesque Grill Set	Sku # 91002180	\$	Rear Vent Kit	Sku # 98900168	\$
Accent Light	Sku # 94400100	\$	Aromatherapy Tray	Sku # 98500384	\$
Colonial Andiron	Sku # 98500631	\$	Essential Oils Kit	Sku # 98500381	\$
Wrought Iron Andiron	Sku # 98500632	\$	TOTAL		\$
Arabesque Andiron	Sku # 98500633	\$			

* A Fireback is required on Hearthview HH fireplace.



Only the most professional specialty hearth retailers are selected to sell Lopi stoves, inserts and fireplaces. They represent our total commitment to exceptional products and excellent service. In addition, they have successfully completed special training programs in the proper selection, installation and service of all Lopi products.

Your professional Lopi hearth dealers are experts who can advise you on everything from customizing the color of your appliance to selecting appropriate venting and chimney materials. They can show you Lopi models on display, including working models actually burning.



Lopi produces a wide variety of quality wood, pellet and gas stoves and inserts. Ask your dealer for details.

Find your favorite fire today by visiting www.lopifire.com



Lopi products are made in the U. S. A. with pride.



Your Lopi Authorized Dealer: