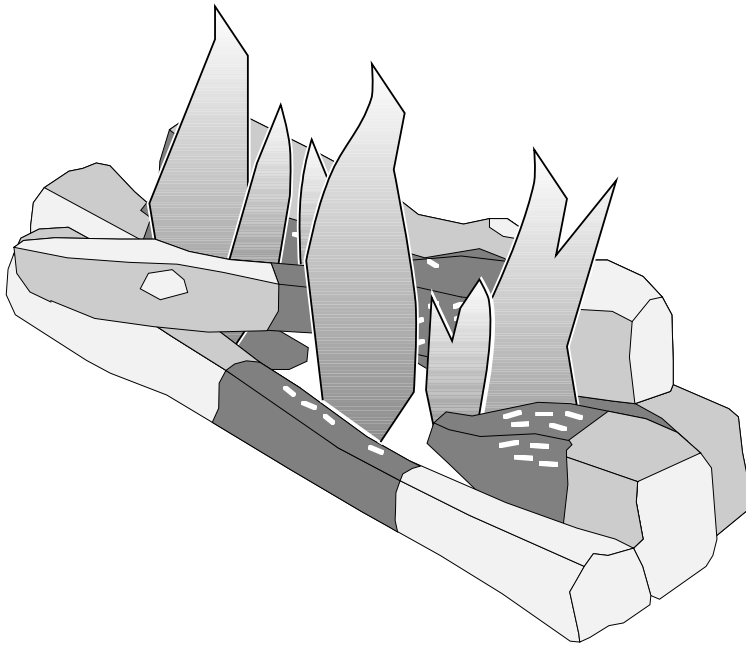




## TRAVIS INDUSTRIES HOUSE OF FIRE



# DVL Insert EF II Owner's Manual

Featuring the



Burner

Tested and Listed by



OMNI-Test Laboratories, Inc.  
Beaverton, Oregon  
Report # 028-F-72-5  
ANSI Z21.88

- Direct Vent Fireplace Insert
- Masonry or Factory Built (Metal) Wood-Burning Fireplace
- Residential or Mobile Home

**WARNING:** If the information in these instructions is not followed exactly, a fire or explosion may result causing property damage, personal injury or loss of life.

- Do not store or use gasoline or other flammable vapors and liquids in the vicinity of this or any other appliance.

### WHAT TO DO IF YOU SMELL GAS

- Do not try to light any appliance.
- Do not touch any electrical switch; do not use any phone in your building.
- Immediately call gas supplier from a neighbor's phone. Follow the gas supplier's instructions.
- If you cannot reach your gas supplier, call the fire department.
- Installation and service must be performed by a qualified installer, service agency or the gas supplier.

This appliance may be installed as an OEM installation in a manufactured (mobile) home and must be installed in accordance with the manufacturer's instructions and the manufactured home construction and safety standard, Title 24 CFR, Part 3280.

This appliance is only for use with the type(s) of gas indicated on the rating plate. A conversion kit is supplied with the appliance.

**Installer:** After installation give this manual to the home-owner and explain operation of this heater.

**Travis Industries, Inc.**

4800 Harbour Pointe Blvd. SW  
Mukilteo, WA 98275

## *Introduction*

---

We welcome you as a new owner of a DVL Insert. In purchasing this fireplace insert you have joined the growing ranks of concerned individuals whose selection of an energy system reflects both a concern for the environment and aesthetics. It is one of the finest home heaters the world over. This manual will explain the installation, operation, and maintenance of this heater. Please familiarize yourself with the Owner's Manual before operating your heater and save the manual for future reference. Included are helpful hints and suggestions that will make the operation and maintenance of your new heater an easier and more enjoyable experience. We offer our continual support and guidance to help you achieve the maximum benefit and enjoyment from your heater.

## *Important Information*

---

No other DVL Insert has the same serial number as yours. The serial number is below and to the left of the gas control valve.

This serial number will be needed in case you require service of any type.

Model: \_\_\_\_\_ DVL Insert EF II \_\_\_\_\_

Serial Number: \_\_\_\_\_

Purchase Date: \_\_\_\_\_

Purchased From: \_\_\_\_\_  
 \_\_\_\_\_  
 \_\_\_\_\_

**Register your warranty online at:**

**traviswarranty.com**

**Or, mail your warranty card to:**

Travis Industries House of Fire  
 4800 Harbour Pointe Blvd. SW  
 Mukilteo, WA 98275

**Save Your Bill of Sale.**

To receive full warranty coverage, you will need to show evidence of the date you purchased your heater. Do not mail your Bill of Sale to us.

We suggest that you attach your Bill of Sale to this page so that you will have all the information you need in one place should the need for service or information occur.



We suggest that our gas hearth products be installed and serviced by professionals who are certified in the U.S. by the National Fireplace Institute® (NFI) as NFI Gas Specialists.

## **Introduction and Important Information**

Introduction .....2

## **Safety Precautions**

Safety Precautions .....4

## **Features & Specifications**

Features .....6

Installation Options .....6

Heating Specifications .....6

Dimensions .....6

## **Installation**

Installation Warnings .....7

Packing List .....7

Additional Items Required .....7

Items Packed with the Face .....7

Order of Installation .....7

Top Convection Deflector .....8

Fireplace Requirements .....8

    Factory-Built (Metal) Wood-Burning Fireplace  
    Requirements .....9

Hearth Requirements .....9

Clearances .....10

    Mantel Clearances .....10

Face Sizing .....11

Gas Line Requirements .....12

    Gas Line Location .....12

    Gas Inlet Pressure .....12

Vent Requirements .....13

    Altitude Considerations .....13

    Vent Restrictor .....14

    Vent Installation .....14

    Vent Location .....15

    Vent Configurations .....15

    Vent Connector Removal and Installation .....16

Installation Without Surround Panels .....18

Surround Panel Installation .....18

    Installation of the On/Off Switch and Rheostat .....19

Electrical Connection .....19

## **Finalizing the Installation**

Glass Frame Removal and Installation .....20

Log Set Installation .....22

Steps for Finalizing the Installation .....24

Pilot Flame Inspection .....24

Air Shutter Adjustment .....24

## **Operation**

Before You Begin .....26

Location of Controls .....26

Starting The Pilot Flame .....27

Starting the Heater for the First Time .....28

Turning the Heater On and Off .....28

Adjusting the Flame Height .....28

Adjusting the Blower Speed .....29

Normal Operating Sounds .....29

Normal Operating Odors .....29

## **Maintenance**

Maintaining Your Heater's Appearance .....30

Yearly Service Procedure .....30

Troubleshooting Table .....31

How this Heater Works .....32

Wiring Diagram .....33

Replacement Parts List .....33

## **Safety Label**

Safety Label .....34

## **Warranty**

Warranty .....35

## **Optional Equipment**

LP Conversion Instructions .....36

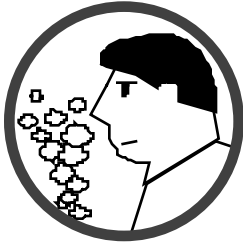
Firebacks .....39

Accent Light .....41

Lower Surround Panel .....43

## **Index**

Index .....44



### IF YOU SMELL GAS:

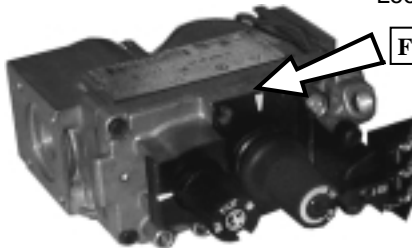
- \* Do not light any appliance
- \* Extinguish any open flame
- \* Do not touch any electrical switch or plug or unplug anything
- \* Open windows and vacate building
- \* Call gas supplier from neighbor's house, if not reached, call fire department



This unit must be installed by a qualified installer to prevent the possibility of an explosion. Your dealer will know the requirements in your area and can inform you of those people considered qualified. The room heater should be inspected and cleaned before use and at least annually by a qualified service person. More frequent cleaning may be required due to excessive lint from carpeting, bedding material, etc.

The instructions in this manual must be strictly adhered to. Do not use makeshift methods or compromise in the installation. Improper installation will void the warranty and safety listing.

Look for this label:



**For LPG only | Pout 11" W.C.**

If the label is present, the heater is equipped for LP (propane). If the label is absent, the heater is equipped for NG (natural gas).

This heater is either approved for natural gas (NG) or for propane (LP). Burning the incorrect fuel will void the warranty and safety listing and may cause an extreme safety hazard. Direct questions about the type of fuel used to your dealer. Check the label and flame adjust knob on the gas control valve.



Contact your local building officials to obtain a permit and information on any installation restrictions or inspection requirements in your area. Notify your insurance company of this heater as well.



If the flame becomes sooty, dark orange in color, or extremely tall, do not operate the heater. Call your dealer and arrange for proper servicing.



It is imperative that control compartments, screens, or circulating air passageways of the heater be kept clean and free of obstructions. These areas provide the air necessary for safe operation.



Do not operate the heater if it is not operating properly in any fashion or if you are uncertain. Call your dealer for a full explanation of your heater and what to expect.



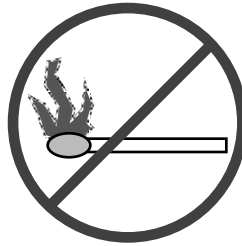
Do not store or use gasoline or other flammable liquids in the vicinity of this heater.



Do not operate if any portion of the heater was submerged in water or if any corrosion occurs. Immediately call a qualified service technician to inspect the appliance and to replace any part of the control system and any gas control wash has been under water.



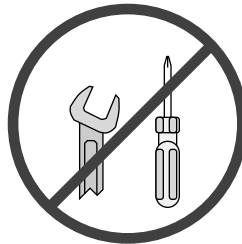
Do not place clothing or other flammable items on or near the heater. Because this heater can be controlled by a thermostat there is a possibility of the heater turning on and igniting any items placed on or near it.



Light the heater using the built-in piezo igniter. Do not use matches or any other external device to light your heater.



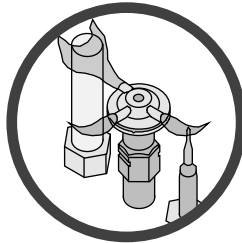
The viewing glass should be opened only for lighting the pilot or conducting service. Do not operate with cracked, broken, or removed glass.



Never remove, replace, modify or substitute any part of the heater unless instructions are given in this manual. All other work must be done by a trained technician. Don't modify or replace orifices.



Operate the heater according to the instructions included in this manual.



The pilot flame must contact the thermopile and thermocouple (see the illustration to the left). If it does not, turn the gas control valve to "OFF" and call your dealer.



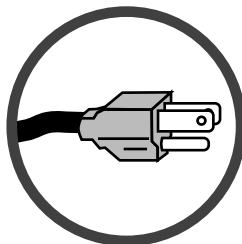
This unit is not for use with solid fuel



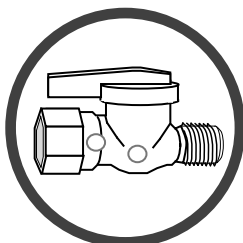
Do not throw this manual away. This manual has important operating and maintenance instructions that you will need at a later time. Always follow the instructions in this manual.



Children and adults should be alerted to the hazards of high surface temperature and should stay away to avoid burns or clothing ignition. Young children should be supervised when they are in the same room as the heater.



Plug the heater into a 120V grounded electrical outlet. Do not remove the grounding plug.



Instruct everyone in the house how to shut gas off to the appliance and at the gas main shutoff valve. The gas main shutoff valve is usually next to the gas meter or propane tank and requires a wrench to shut off.



**Travis Industries, Inc. grants no warranty, implied or stated, for the installation or maintenance of your heater, and assumes no responsibility of any consequential damage(s).**

**Features**

- Works During Power Outages (millivolt system)
- High Efficiency
- Optional Thermostat or Remote Control
- Ember Fyre™ Burner for "Wood Fire" Look
- Quiet Blower for Effective Heat Distribution
- Convenient Operating Controls
- Variable-Rate Heat Output
- Low Maintenance

**Installation Options**

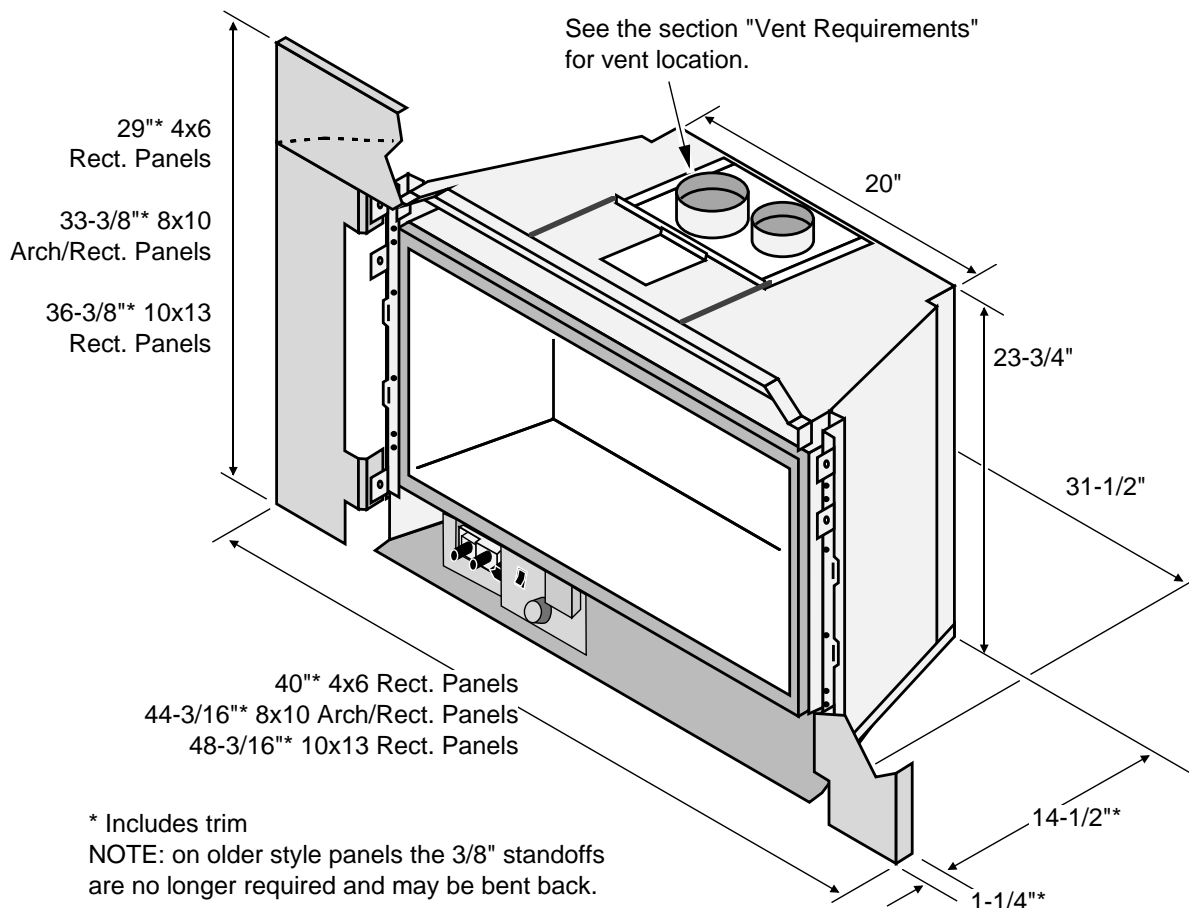
- Residential or Mobile Home
- Fireplace Insert
- Masonry or Factory Built (Metal) Wood-Burning Fireplace

**Heating Specifications**

	Natural Gas	Propane
Approximate Heating Capacity (in square feet)*	600 to 2,000	600 to 2,000
Maximum BTU Input Per Hour	40,000	40,000
Minimum BTU Output on Low	20,300	19,700
Steady State Efficiency** (with blowers on)	Up to 79.3 %	Up to 81.2 %
AFUE (Annual Fuel Utilization Efficiency)	Up to 71.7 %	Up to 73.4 %

\* Heating capacity will vary with floor plan, insulation, and outside temperature.

\*\* Efficiency rating is a product of thermal efficiency rating determined under continuous operation independent of installed system.

**Dimensions**

## ***Installation Warnings***

---

- **Failure to follow all of the requirements may result in property damage, bodily injury, or even death.**
- **This heater must be installed by a qualified installer who has gone through a training program for the installation of direct vent gas appliances.**
- **This appliance must be installed in accordance with all local codes, if any; if not, follow ANSI Z223.1 and NFPA 54(88).**
- **In Manufactured or Mobile Homes must conform with Manufactured Home Construction and Safety Standard, Title 24 CFR, Part 3280, or, when such a standard is not applicable, the Standard for Manufactured Home Installations, ANSI/NCSBCS A225.1. This appliance may be installed in Manufactured Housing only after the home is site located.**
- **The heater is designed to operate on natural gas, or propane (LP).**
- **All exhaust gases must be vented outside the structure of the living-area. Combustion air is drawn from outside the living-area structure.**
- **Notify your insurance company before hooking up this heater.**
- **The requirements listed below are divided into sections. All requirements must be met simultaneously. The order of installation is not rigid – the qualified installer should follow the procedure best suited for the installation.**

## ***Packing List***

---

- Top Convection Deflector (with screws)
- Propane Conversion Kit
- Log Set
- Glass Latch Key (to un-latch glass frame)
- "Fireplace Altered" tag (attach to the fireplace)
- FPX Face Brackets (see pg. 11 for details)

## ***Additional Items Required***

---

- Faceplate
- 6-5/8" to 3" & 4" Co-Linear Adapter - with flashing (Travis part # 98900124)
- 3" and 4" Diameter Gas Liner
- Direct Vent Cap (Simpson Duravent Part # 991)
- Gas Line Equipment (shutoff valve, pipe, etc.)

## ***Items Packed with the Face***

---

- Face with attachment hardware and cove covers (if necessary)
- Face Installation Instructions

## ***Order of Installation***

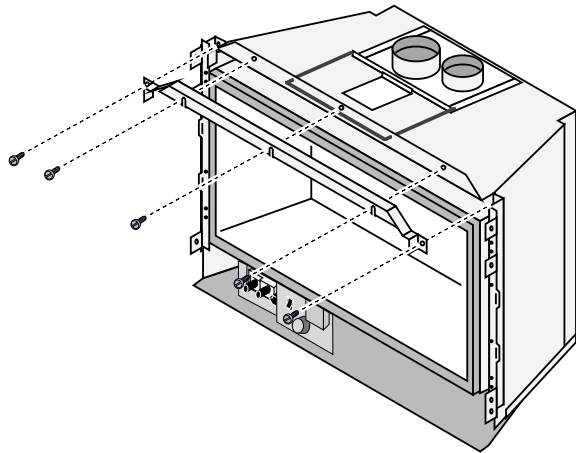
---

- 1** Install the Top Convection Deflector (see page 8).
- 2** If the heater is to use propane, install the propane conversion kit (see page 36).
- 3** Install gas line into the fireplace (do not connect to unit).
- 4** Position the heater.
- 5** Connect the gas line and gas vent to the appliance.
- 6** Install the optional surround panels and trim. Attach the on/off switch.
- 7** Follow the instructions under "Finalizing the Installation" on page 24.

### Top Convection Deflector

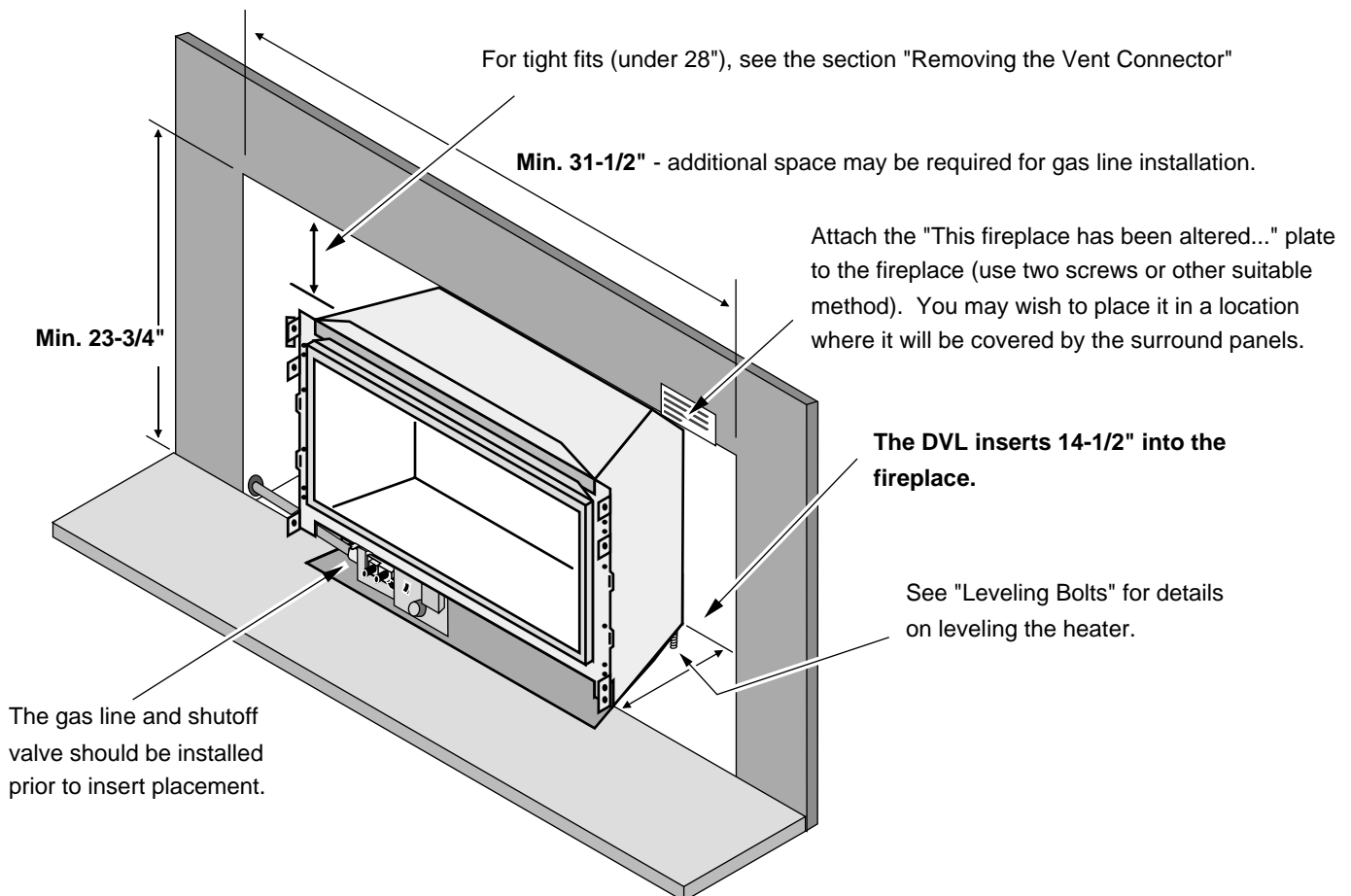
Install the top convection deflector as shown to the right.

The deflector is shipped on top of the insert. The screws are shipped inside the owner's pack.



### Fireplace Requirements

- Insert must be placed within a code-conforming masonry fireplace or tested and listed factory-built (metal) wood-burning fireplace. Repair any fireplace damage prior to installation.
- Because the insert uses a circulation blower, clean the fireplace, smoke shelf, and chimney prior to installation.
- This heater may be placed in a bedroom. Please be aware of the large amount of heat this appliance produces when determining a location.





## Factory-Built (Metal) Wood-Burning Fireplace Requirements

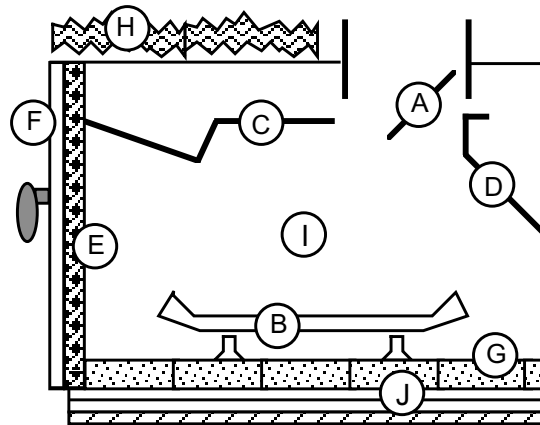
The damper ("A") and grate (with log set) ("B") must be removed (see the illustration below)

The smoke shelf ("C"), internal baffles ("D"), screen ("E"), masonry lining or refractory ("G" & "I"), and metal or glass doors ("F") may be removed (if applicable)

**NOTE:** If any internal baffle is cut, bent, or removed, the fireplace must be permanently marked to indicate that it has been altered and is no longer suitable for burning solid fuel (wood).

The insulation ("H"), and any structured rigid frame members must not be removed or altered (side and top of door frame, side and top of the face of the fireplace, metal sides, etc.).

The metal floor ("J") may be removed to allow additional room for installation of the insert. If the floor is removed the insert must be placed directly on the metal base of the metal fireplace.



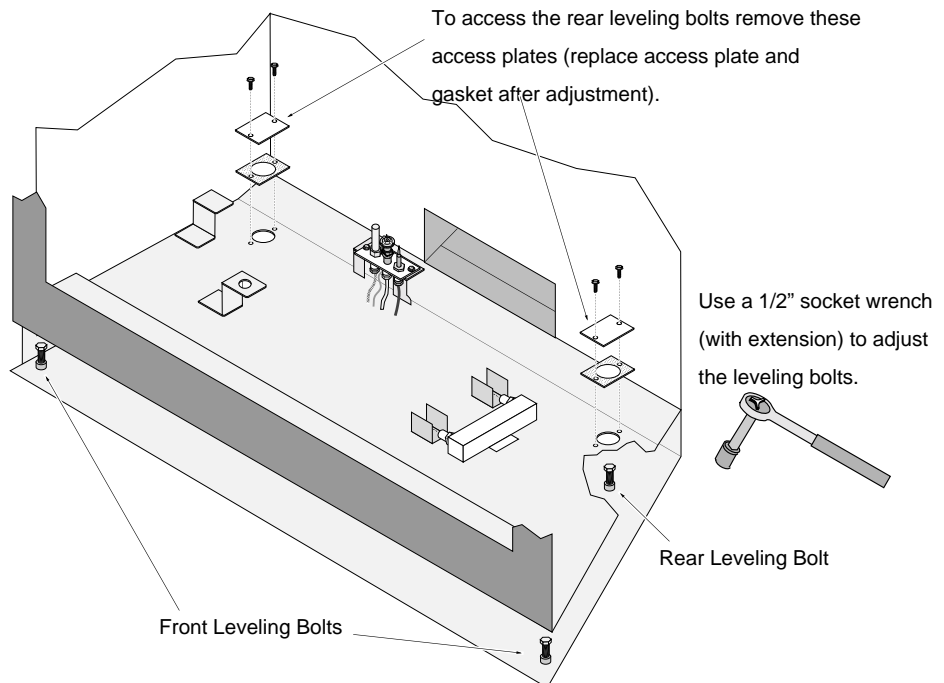
## Hearth Requirements

The heater and face must not contact combustible surfaces. A non-combustible hearth extension is not required. However, if the heater is installed next to the floor, we recommend a hearth to protect the flooring surface from discoloration or other negative impact from the heater.

## Leveling Bolts

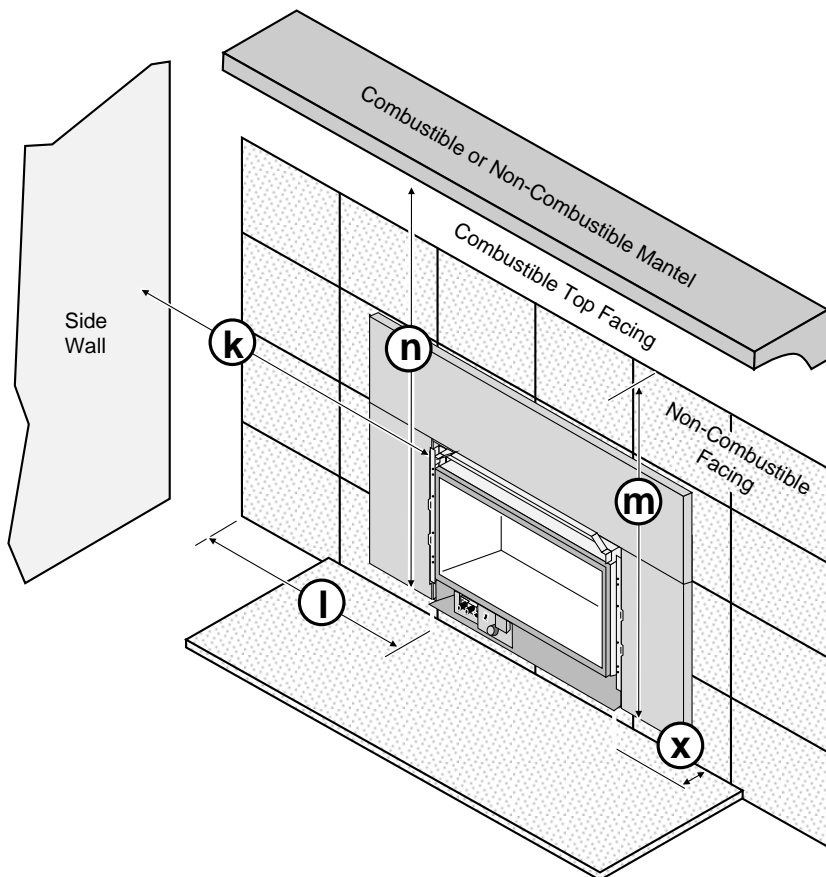
This heater includes front and rear leveling bolts to accommodate fireplaces with a step-down firebox.

**NOTE:** To access the rear leveling bolts, remove the burner (see page 39).



## Clearances

Due to the high temperature of the heater, it should be located out of traffic and away from furniture and draperies.



## Minimum Clearances

<b>k</b>	Sidewall to Insert	4"
<b>l</b>	Side Facing	4"
<b>m</b>	Top Facing*	35-1/2"***
<b>n</b>	Mantel*	35-1/2"***
<b>x</b>	Extension onto Hearth	1-1/4"

\* The non-combustible top facing must extend 1" above the top of the surround panels.

\*\* Measured from the base of the insert.

## Mantel Clearances

The maximum mantel depth is 12".

NOTE: The combustible area above the facing must not protrude more than 3/4" from the facing. If it does, it is considered a mantel and must meet the mantel requirements listed in this manual.

## Face Sizing

Face	Height	Width	Notes
Rawhide	27"	35-3/4"	
Victorian	27"	35-3/4"	
Rosario	26"	35-3/4"	
Cambridge	25-7/8"	37-5/8"	
Craftsman	27-1/2"	36"	
Bungalow	27"	32-3/4"	
Classic Arched, Artisan	26-1/2"	34-3/4"	Side begins arch 3-1/2" below top - 45" radius
Metropolitan	26-1/2"	34-3/4"	
Architectural Series	27-7/8"	33-5/8"	
Discovery	26'	35-3/4'	
Wilmington	27"	36-1/8"	

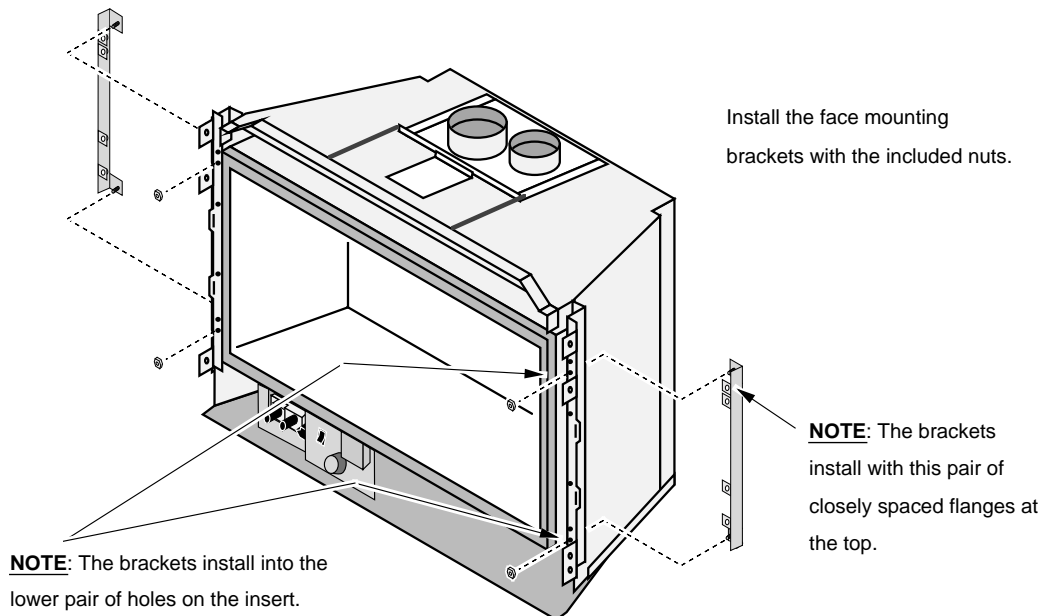
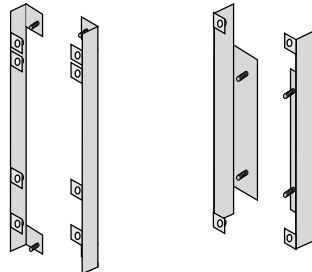
## Face Mounting Brackets – Arched, Artisan, Metropolitan, Victorian Lace

Some Arched, Artisan, Metropolitan and Victorian Lace Faces include old brackets that will not mount to the heater (see illustration below). For these faces, make sure to use the new mounting brackets (either included with the heater or available through your dealer - SKU 225-20054).

**WARNING:** When attaching the Victorian Lace Face, **do not over-tighten the screws**. Over-tightening the screws may damage the face – simply tighten the screws until they contact the face.

New Brackets

Old Brackets



## Gas Line Requirements

### MASSACHUSETTS INSTALLATIONS - **WARNING:**

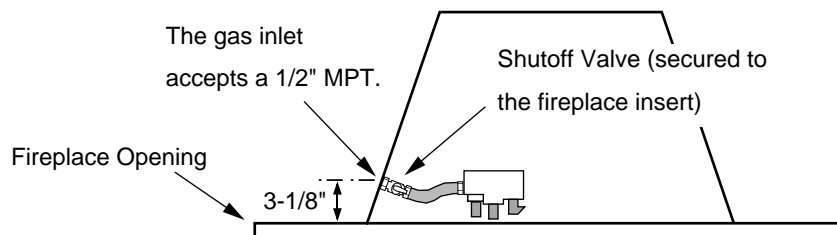
THIS PRODUCT MUST BE INSTALLED BY A LICENSED PLUMBER OR GAS FITTER WHEN INSTALLED WITHIN THE COMMONWEALTH OF MASSACHUSETTS.

### OTHER MASSACHUSETTS CODE REQUIREMENTS:

- Flexible connector must not be longer than 36 inches.
- Shutoff valve must be a "T" handle gas cock.
- Only direct vent sealed combustion products are approved for bedrooms or bathrooms.
- Fireplace dampers must be removed or welded in the open position prior to the installation of a fireplace insert or gas log.
- A carbon monoxide (CO) detector is required in the same room as the appliance.

- The gas line must be installed in accordance with all local codes, if any; if not, follow ANSI 223.1 and the requirements listed below.
- A manual shutoff valve is required within 3' of the heater. It should be placed upstream of the flex line (if used) and may be installed behind the access door inside the heater. ).
- The heater and gas control valve must be disconnected from the gas supply piping during any pressure testing of that system at test pressures in excess of 1/2 psig. For pressures under 1/2 psig, isolate the gas supply piping by closing the manual shutoff valve.
- Leak test all gas line joints and the gas control valve prior to and after starting the heater.
- This heater is designed either for natural gas or for propane (but not for both). Check the sticker on the top of the gas control valve to make sure the correct fuel is used (see illustration on page 4).
- Installation must be performed by a qualified installer, service agency or the gas supplier (In Massachusetts a licensed plumber/gasfitter).

## Gas Line Location



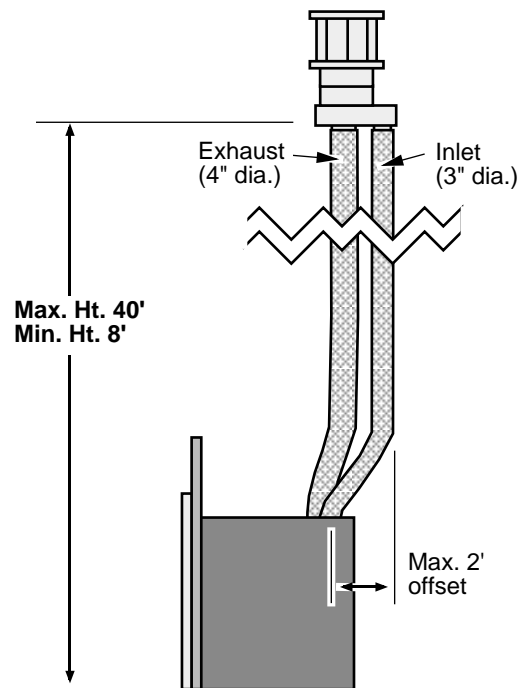
## Gas Inlet Pressure

	Standard Input Pressure
Natural Gas	7" W.C. (1.74 kPA)
Propane	13" W.C. (2.73 kPA)

- If the pressure is not sufficient, make sure the piping used is large enough, the supply regulator is adequately adjusted, and the total gas load for the residence does not exceed the amount supplied.
- The supply regulator (the regulator that attaches directly to the residence inlet or to the propane tank) should supply gas at the suggested input pressure listed above. Contact the local gas supplier if the regulator is at an improper pressure.

## Vent Requirements

- The gas appliance and vent system must be vented directly to the outside of the building, and never be attached to a chimney serving a separate solid fuel or gas-burning appliance. Each direct vent gas appliance must use its own separate vent system.
- Make sure the exhaust pipe on the heater connects to the exhaust portion of the cap. The illustrations below show how the flex liners should be attached.
- The exhaust vent must reline the entire length of the chimney and terminate above the chimney top
- Be careful not to crimp or rupture the liner when bending it into chimney offsets
- When installed, the vent must meet all of the vent manufacturer's requirements
- Make sure to order the following:
  - 4" UL 441 Gas Liner for Exhaust, 3" UL 441 Gas Liner for Air Inlet
  - 6-5/8" to 3" & 4" Co-Linear Adapter & Flashing (Travis Part # 98900124).
  - Vertical Termination Cap (Dura-Vent pt # 991)



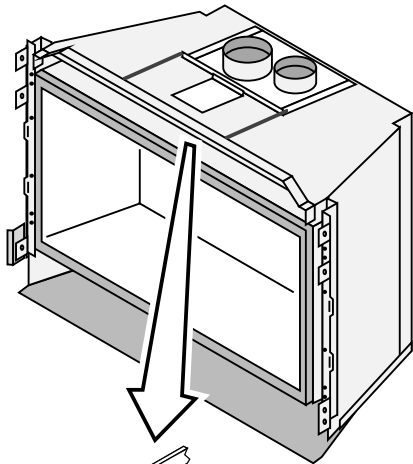
## Altitude Considerations

- This heater has been tested at altitudes ranging from sea level to 8,000 feet (2,400 M). In this testing we have found that the heater, with its standard orifice, burns correctly with just an air shutter adjustment.
- Failure to adjust the air shutter properly may lead to improper combustion which can create a safety hazard. Consult your dealer or installer if you suspect an improperly adjusted air shutter.

**Vent Restrictor**

**WARNING:** Restrictor adjustment should only be done by a qualified installer.

Only those installations determined to be over-drafting require this adjustment. The best indication of over-drafting is a hyper-active flame pattern (flames that move too quickly). If the air shutter is constricted, the flames become short and yellow, yet still very active. Over-drafting may affect the pilot, but this is not the best way to determine over-drafting. Over-drafting is most likely in tall venting configurations (especially if using an "Exhaust Only Re-Line"). Do not over-restrict the vent (this leads to ghosting or lifting flames - reduce restrictor setting).



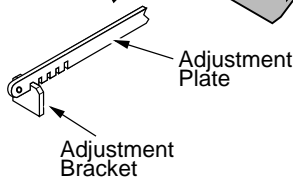
**To Access the Restrictor:**

Remove the face.

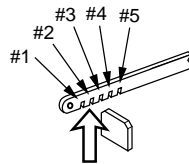
**WARNING:** Use a glove to protect your hand from burns.

**To Adjust the Restrictor:**

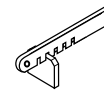
- 1 Determine a restrictor position. Start low (move the restrictor a maximum two positions at a time) and thoroughly test the heater before adjusting further.
- 2 Lift up the adjustment plate and move it so the correct notch falls into the slot on the adjustment bracket.



This restrictor is in position 1 (factory setting).

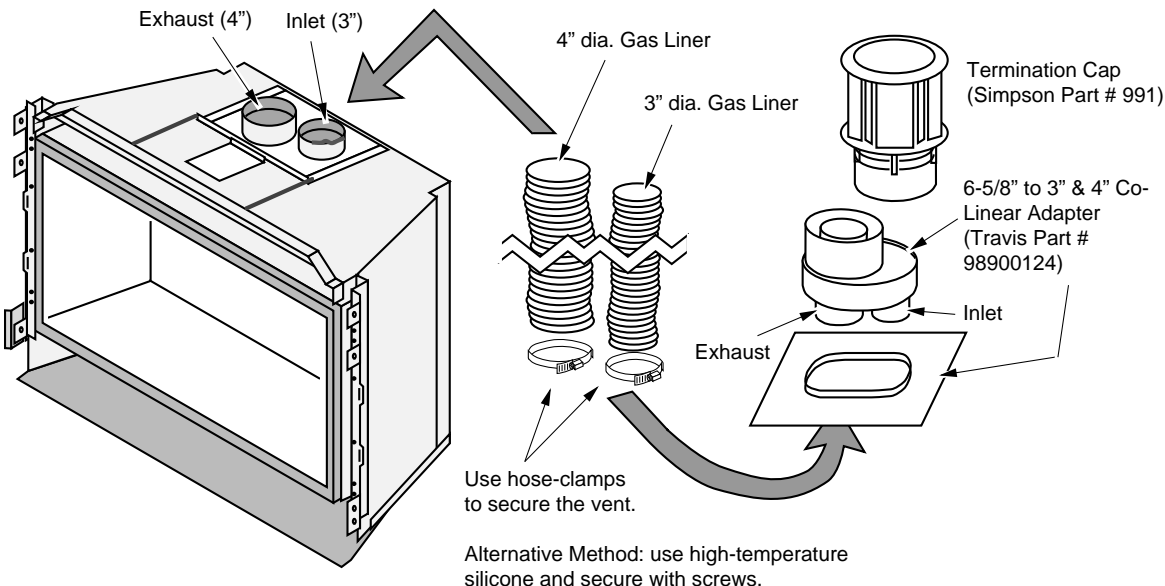


To adjust, lift up on the adjustment plate and push it back (use pliers if necessary).



This restrictor is in position 2.

**Vent Installation**



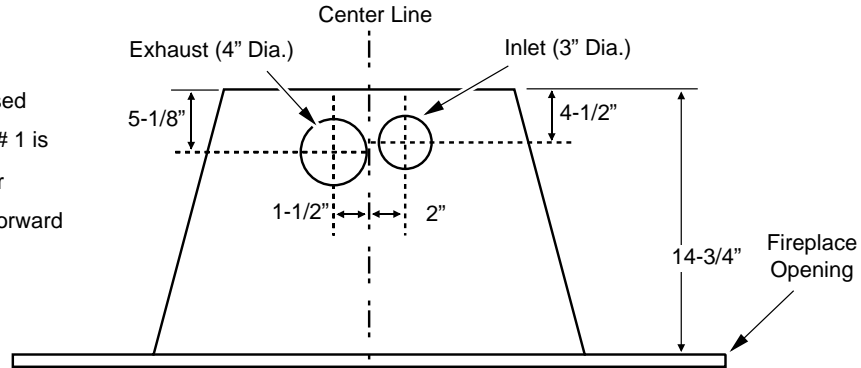
Use hose-clamps to secure the vent.

Alternative Method: use high-temperature silicone and secure with screws.

## Vent Location

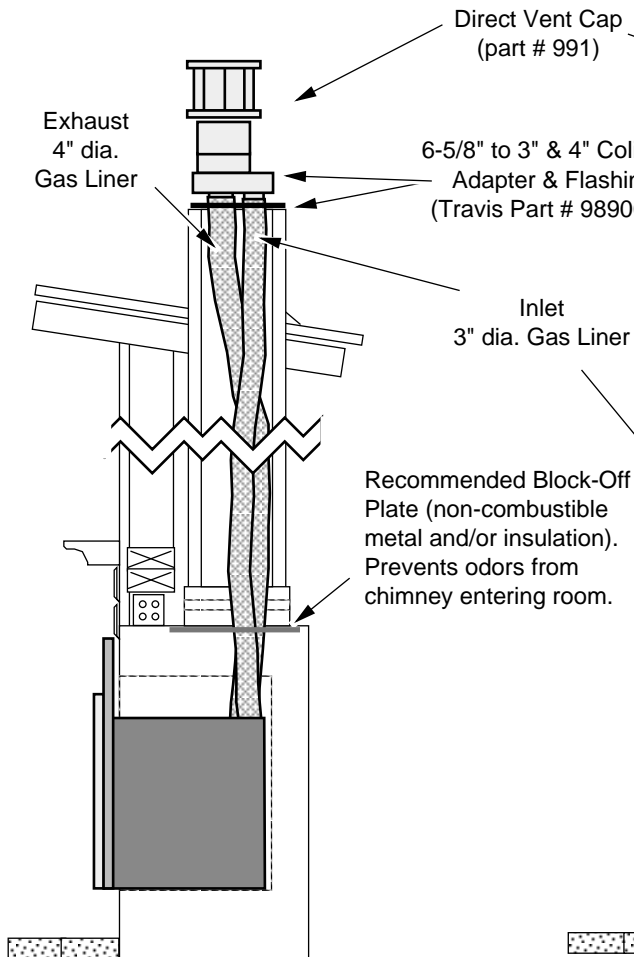
- A vent restrictor is built into the appliance to adjust the flow rate of exhaust gases. This ensures proper combustion for all vent configurations. Depending upon the vent configuration, you may be required to adjust the restrictor position. The charts for acceptable vent configurations detail the correct vent restrictor position.

**NOTE:** Vent location changes based upon restrictor position. Position # 1 is shown to the right. Each restrictor position moves the vent location forward (toward the fireplace opening) approximately 1/4".



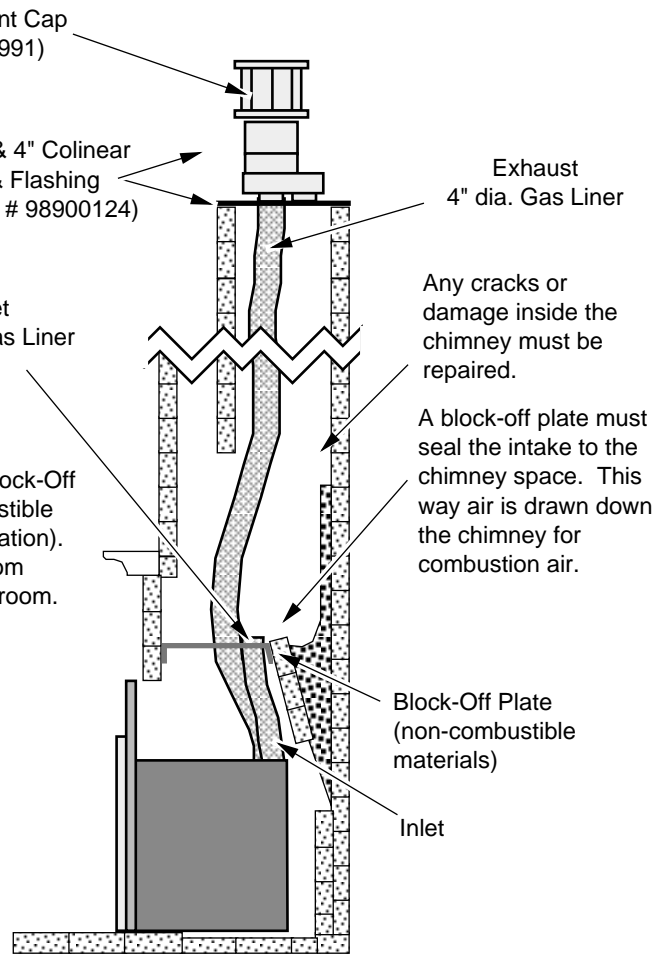
## Vent Configurations

### Inlet & Exhaust Re-Line



Z.C. (Metal) Wood-Burning Fireplace

### Exhaust Only Re-Line

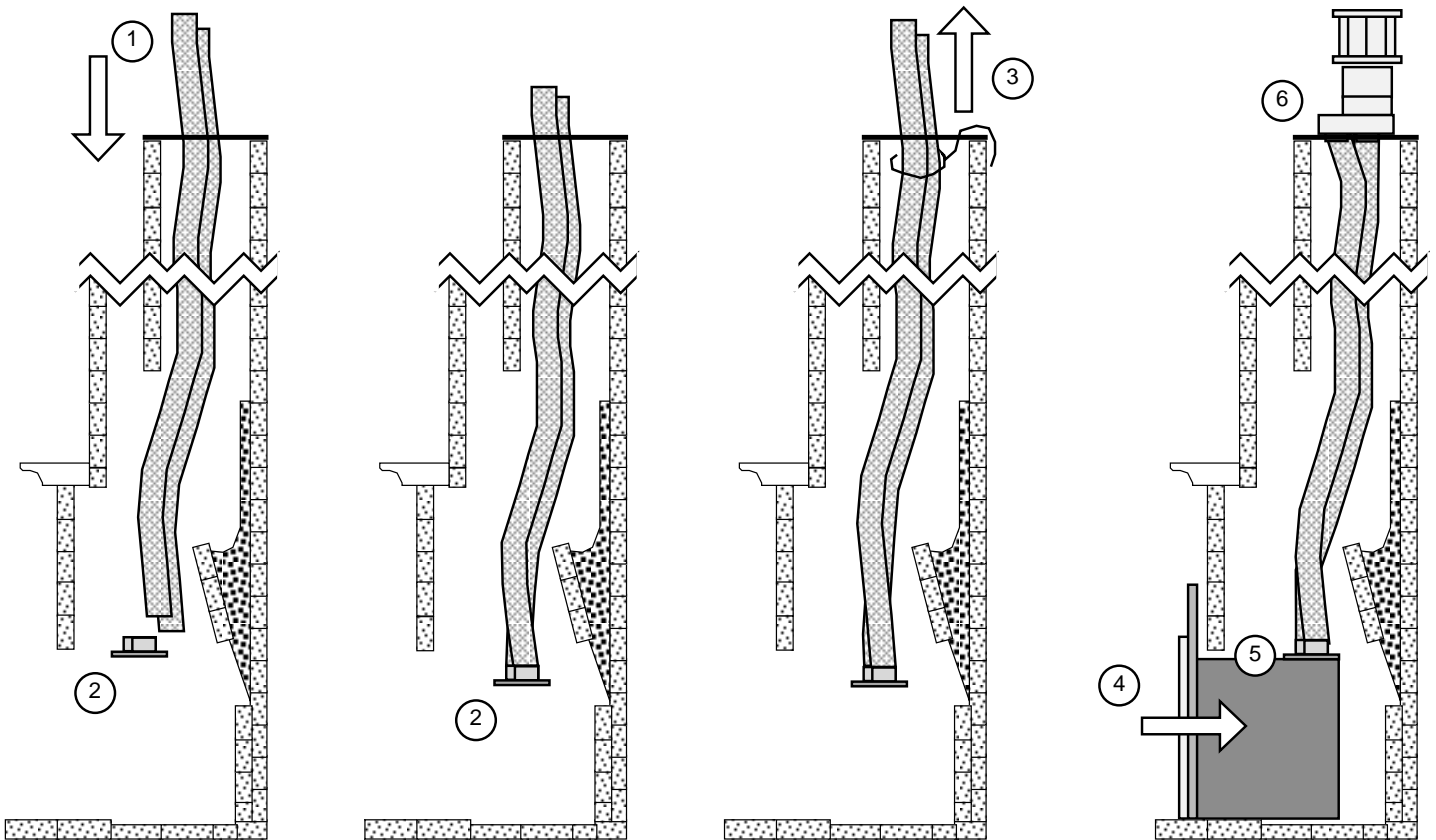


Masonry Fireplace

**NOTE:** You may use either re-line configuration with a masonry or zero-clearance fireplace.

### Vent Connector Removal and Installation

- The vent connector is shipped attached to the insert, but may be removed to facilitate tight installations. See the directions below for installation.
1. Route the flex vent through the chimney from above (leave an extra 3' at the top). Make sure the flex is thoroughly stretched.
  2. Remove the vent connector and attach it to the flex vent (see the instructions on the following page). NOTE: be careful of the anti-seize on the connector – it will stain clothing, etc.
  3. Pull on the flex vent until the vent connector is at the same height as the insert. Temporarily attach the flex vent to the top of the chimney (leave extra slack).
  4. Slide the insert into place, guiding the vent connector into the guides on top of the insert.
  5. Attach the vent connector to the appliance (see the following page for details).
  6. Remove any excess slack in the flex line and attach the vent termination.



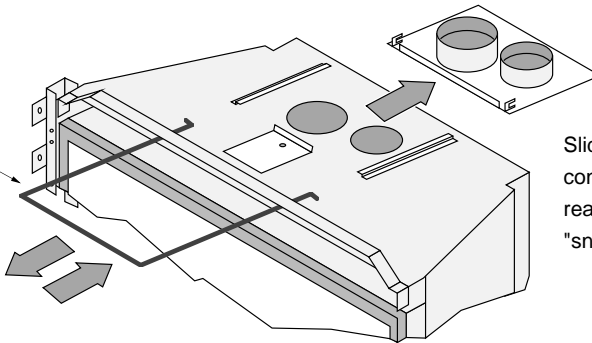


## Vent Connector Removal and Installation (continued)

### Vent Connector Removal

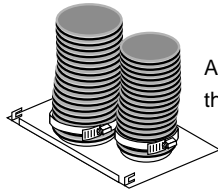
Pull the vent connector rod forward.

**WARNING:** The anti-seize on the vent connector can stain clothing, carpets, or other items.

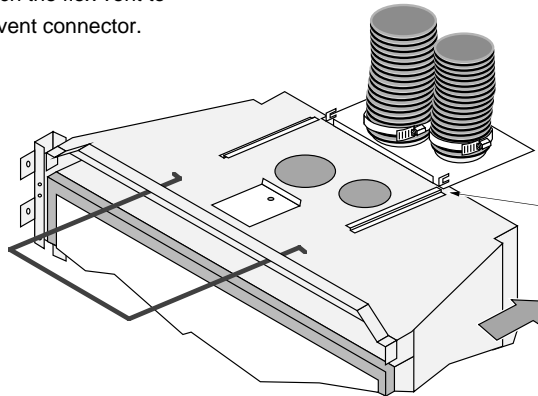


Slide the vent connector to the rear. It will "snap" out.

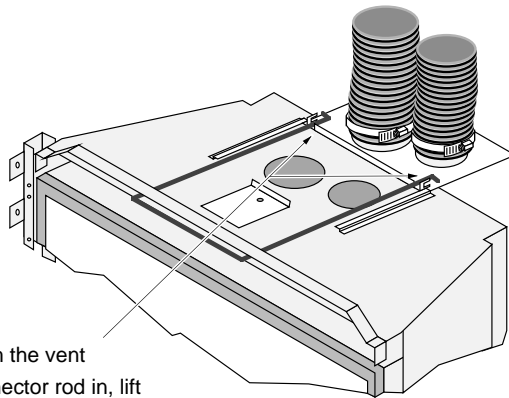
### Vent Connector Installation



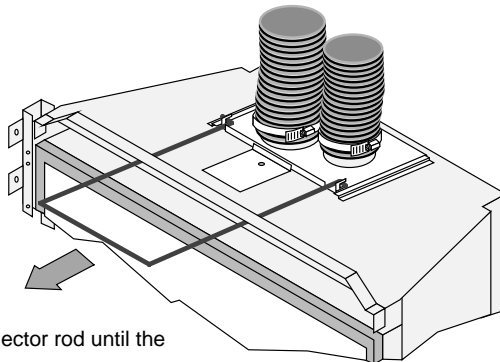
Attach the flex vent to the vent connector.



Slide the insert into place, lining up these guides with the edges of the vent connector.



Push the vent connector rod in, lift slightly, and line it up so the tabs on the end of the rod engage the hooks on the vent connector



Pull on the vent connector rod until the vent connector snaps into place. Slide the vent connector rod in to conceal it.

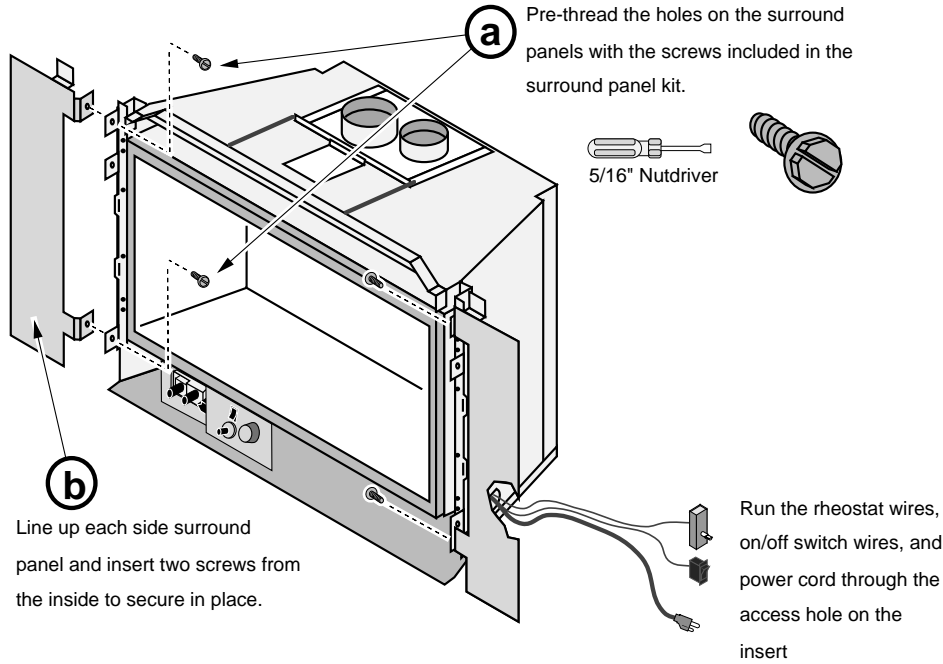
**Installation Without Surround Panels**

The insert may be installed without surround panels. Mount the on/off switch and rheostat to the control panel under the burner pan (see "Installation of the On/Off Switch and Rheostat" on page 19).

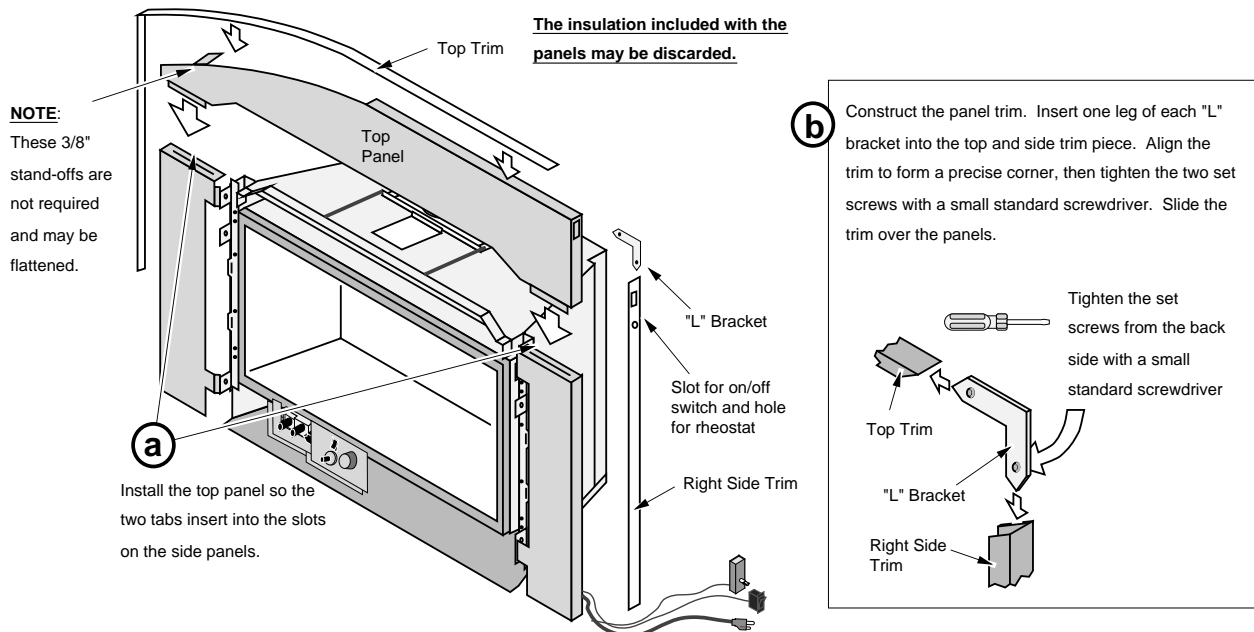
**Surround Panel Installation**

PANEL SIZE	WIDTH	HEIGHT	PART #
8" x 10" Rectangular	44-3/16"	33-3/8"	98500606
Arched (8" x 10")	44-3/16"	33-3/8"	98500608
10" x 13" Rectangular	48-3/16"	36-3/8"	98500607

1 Follow the directions below to install the side panels.

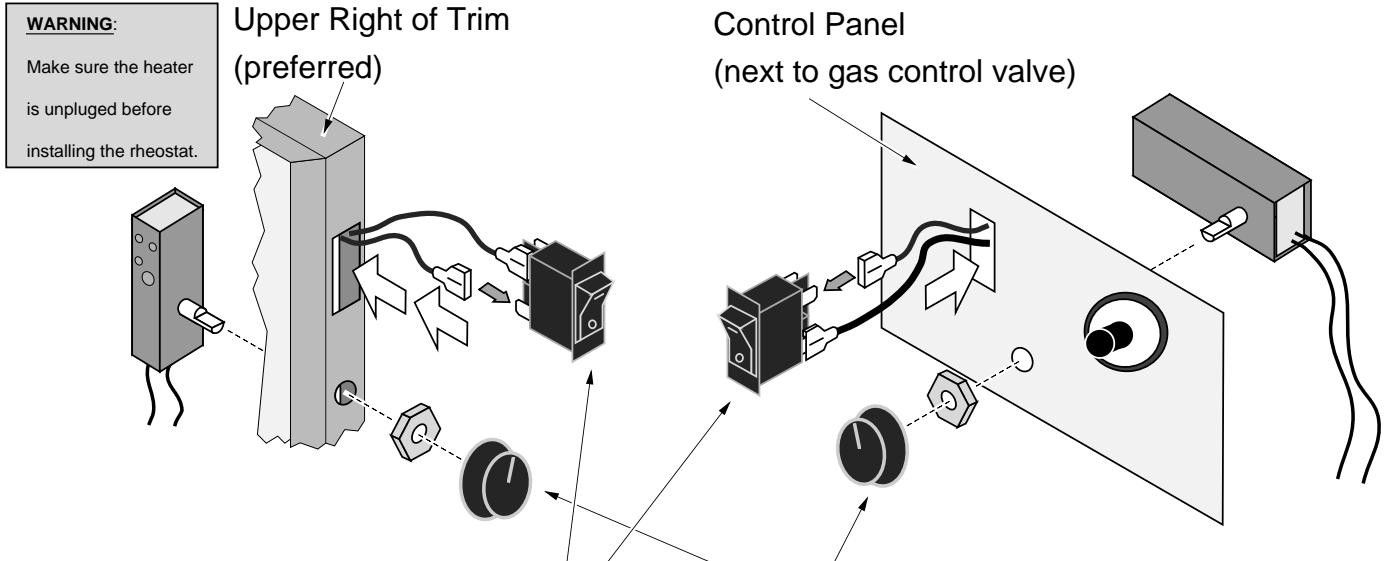


2 Follow the directions below to install the top panel.



## Installation of the On/Off Switch and Rheostat

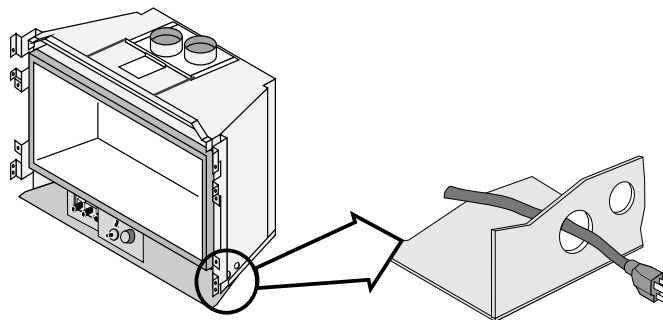
The on/off switch and rheostat may be installed in either the surround panels or control panel. See the illustration below for installation details.



- a** Disconnect the red and brown wires leading to the on/off switch. Insert the wires through the rectangular mounting hole (on the surround panel or control panel) and attach to the on/off switch. The wires must attach to the top and bottom posts on one side of the switch - it does not matter which wire is on top. Press the switch into the rectangular hole until it locks into place.
- b** Remove the knob and nut from the rheostat. Insert the shaft on the rheostat through the circular hole (on the surround panel or control panel). Secure with the nut. Replace the knob.
- c** Make sure the wires do not contact the burner pan or other hot surfaces (secure with lock ties if necessary).

## Electrical Connection

- Route the power cord out of the access hole on the right side of the appliance.
- Plug the power cord into a grounded 120 Volt outlet (do not remove the grounding pin).
- The electrical connection may also be made using the optional Wiring Kit (SKU 97200315).



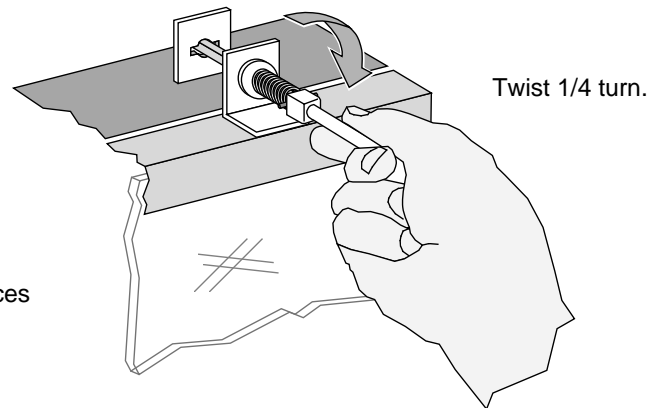
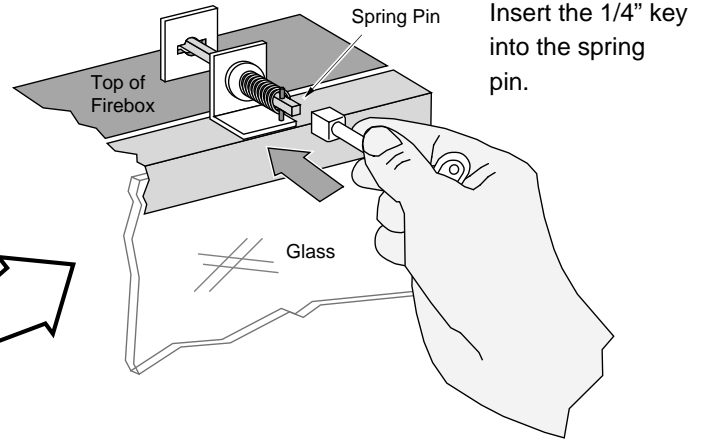
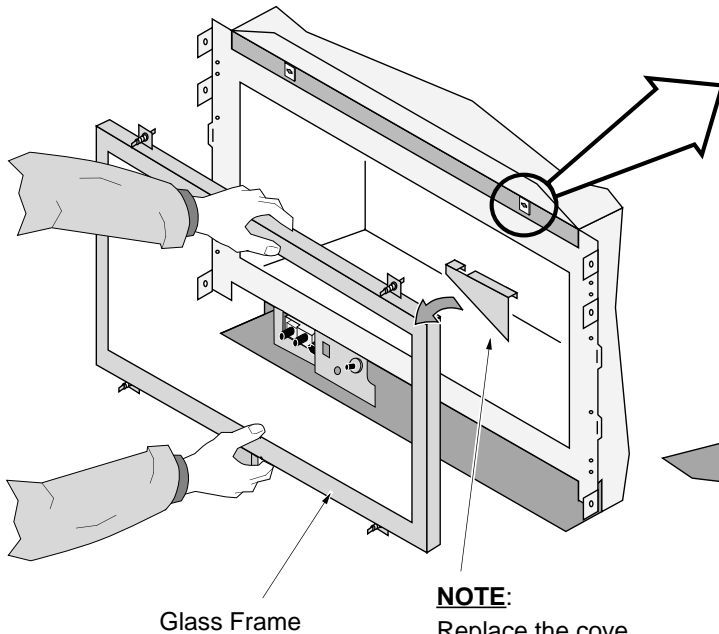
**Glass Frame Removal and Installation**

**Warning:** The appliance must be completely cool before removing the glass.

**Warning:** Do not strike or slam the glass.

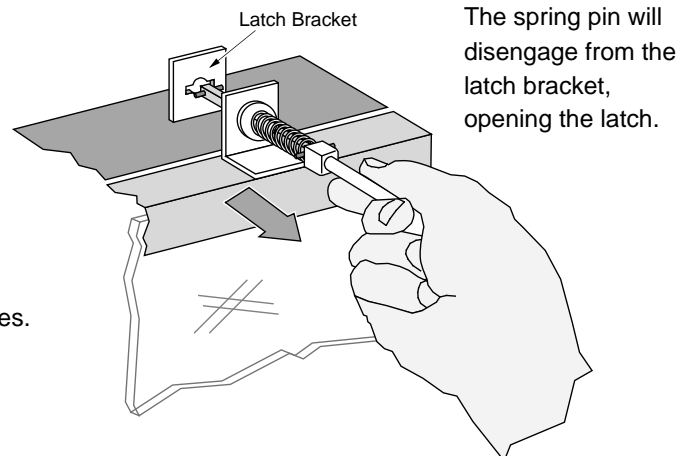
**Note:** If using a Victorian Lace or Bungalow face, attach the arch covers after installing the glass.

**a** Open the four latches holding the glass frame in place (start with the two below the glass) - follow the directions shown to the right.



**b** Lift the glass frame up and pull it forward to remove. **NOTE:** You may need to lift the glass frame while re-attaching.

**NOTE:** Replace the cove covers for those faces using them.



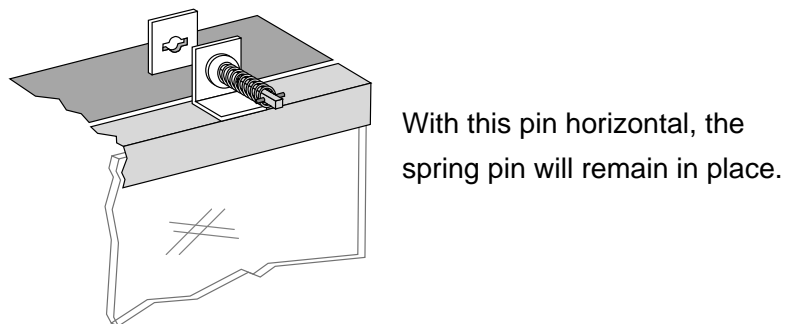
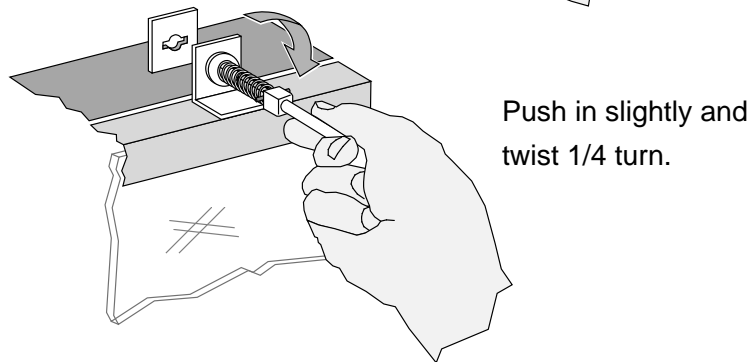
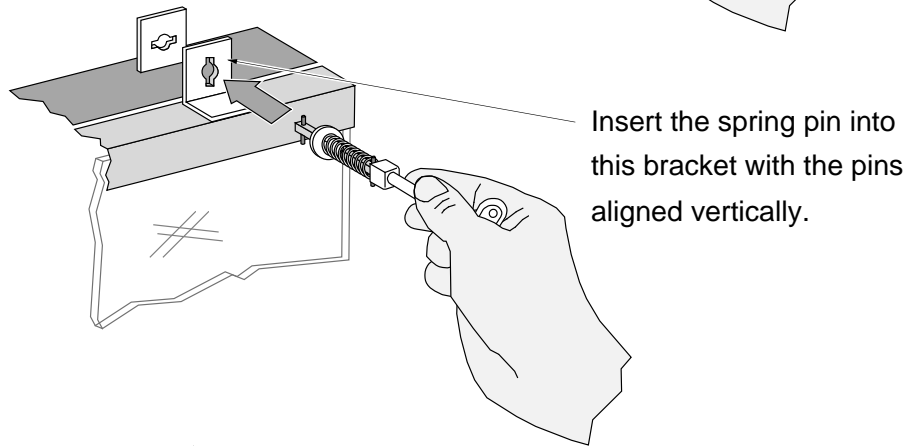
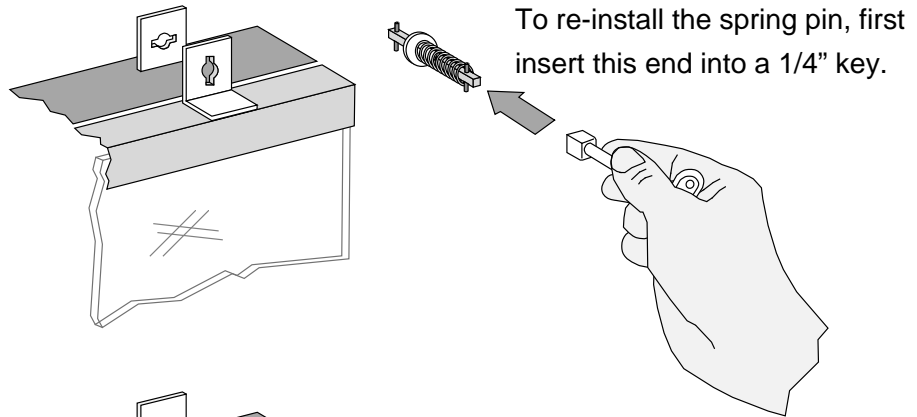
**Re-Attaching the Glass Frame:**

- a) Hang the glass frame on the firebox.
- b) While holding in place, attach the upper latches (follow the instructions to the right in reverse).
- c) Lift the glass frame slightly and attach the lower latches.

## Glass Frame Removal and Installation (continued)

The spring pin can come loose from the latch assembly. This occurs when it is turned 1/4 turn when it is disengaged. Follow the directions below to re-install the spring pin if it becomes loose.

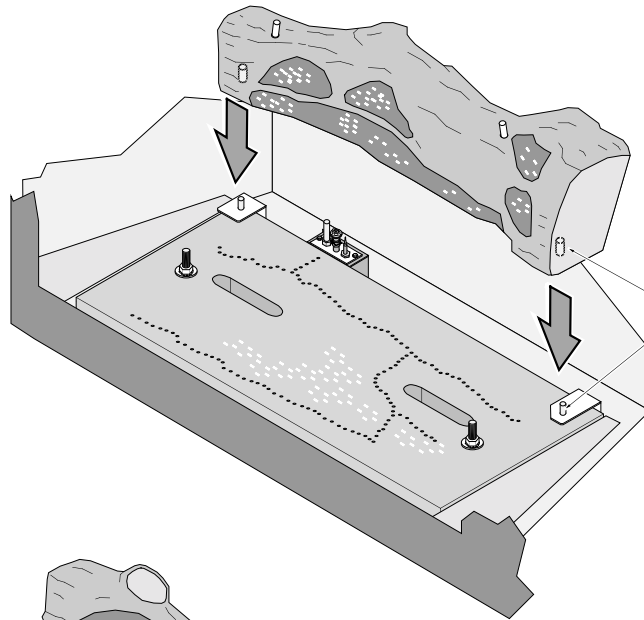
**NOTE:** The spring pins can be installed with the glass frame in place or removed.



**Log Set Installation**

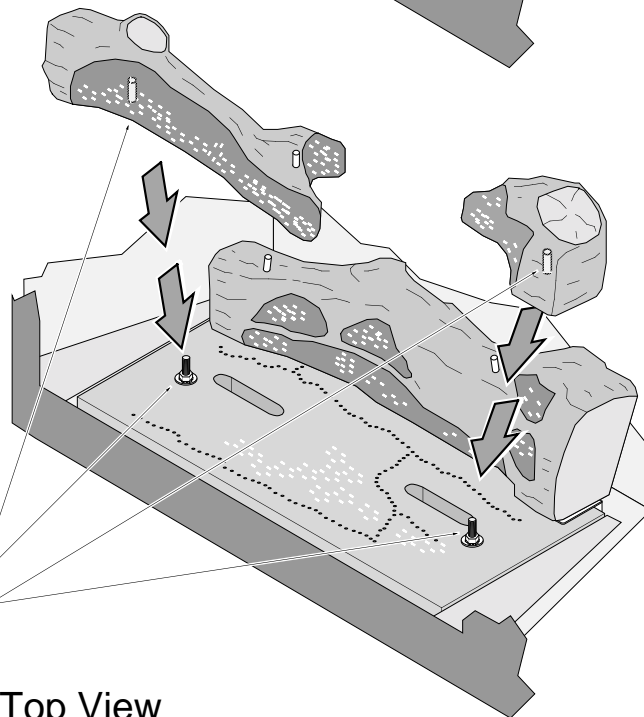
**Step 1 - Install the logs**

Place the rear log on the two platforms at the rear of the firebox.



These pins insert into the holes in the log.

Place the front logs on top of the burner.

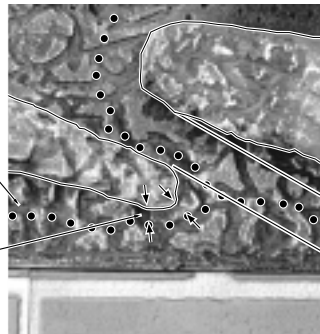


These bolts insert into the holes in the logs.

**Top View**

Do not place logs over burner holes.

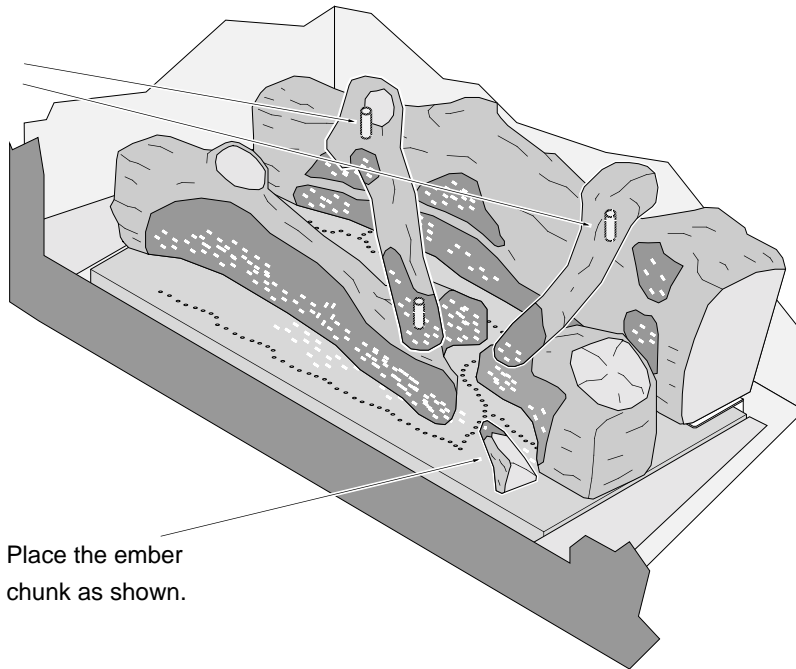
Note how the front left log is spaced 1/4" to 3/8" off of the burner holes.



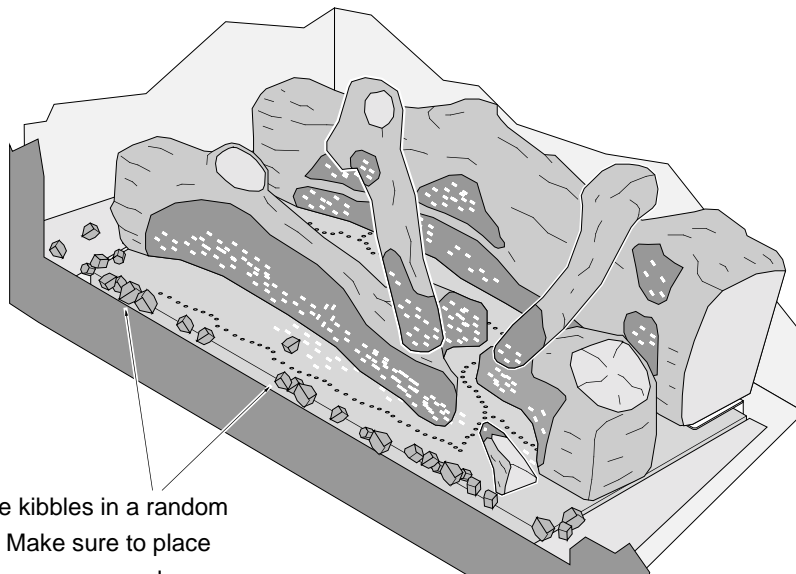
1" to 1-1/2" space

## Step 2 - Install the twigs, ember chunk, kibbles, and rock wool

Place the left and right twigs as shown.

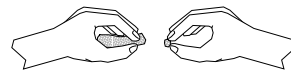


Place the ember chunk as shown.



Place the kibbles in a random pattern. Make sure to place them over any exposed screws or metal to create a desirable effect. Do not place kibbles directly over the burner holes.

### Installing the Rock Wool:



The rock wool comes in one clump. Tear off "dime" sized clumps and flatten. Then pull on the wool to create gauze-like pieces. Place them near some of the burner holes. The wool glows best when very thin and porous.

**NOTE:** We recommend using very little rock wool, especially in LP or high-altitude installations.

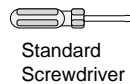
## Steps for Finalizing the Installation

1. Remove the glass (see page 20).  
**NOTE:** If using propane (LP) convert the appliance prior to installing the logs.
2. We recommend you purge the gas line at this time (with the glass removed). This allows gas to be detected once it enters the firebox, ensuring gas does not build up.
3. Turn on gas to the heater. Leak test all gas joints prior to starting the appliance. Start the pilot. Start the main burner. Leak test all gas joints again.
4. Check the pilot flame following the directions below.

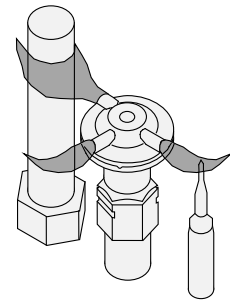
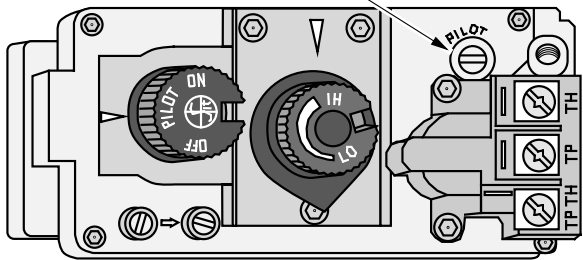
### Pilot Flame Inspection

The pilot flame should look like the illustration below. Adjust the pilot flame if necessary.

To adjust the pilot flame, turn this screw. Clockwise lowers the flame while counter-clockwise raises it.



The pilot flame must contact the thermocouple and thermopile (see the illustration below). Adjust the pilot up or down as necessary.



5. Install the logs (see page 22).
6. Replace the glass.
7. Check the air shutter following the directions below.

### Air Shutter Adjustment

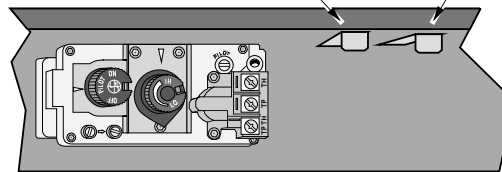
Let the heater burn for fifteen minutes (make sure the logs and glass are in place). The flames should look like the illustration below. Adjust the air shutter, if necessary, to achieve the correct looking flame.

**There are two air shutters on this fireplace - adjust both air shutters to obtain the correct flame.**

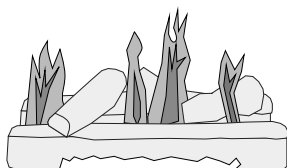
Move the controls left or right until the flame looks correct. The rear air shutter affects the rear portion of the burner, the front air shutter the front portion of the burner. Pushing to the right gives the flame more air, making it more blue. Pushing to the left gives the flame less air, making it more orange.

**NOTE:** If the air control is all the way open, yet the flames remain sooty, shut off gas to the fireplace and contact a qualified gas service technician.

Front Air Shutter Control      Rear Air Shutter Control

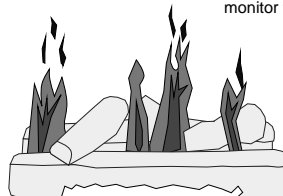


**NOTE:** The logs must be installed correctly to monitor the flame while adjusting the air shutter.



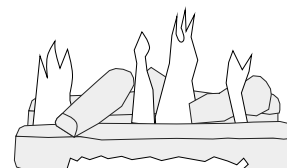
Correct

Flames should be blue at the base, yellow-orange on the top.



Not Enough Air

If the flames are over 14" tall or sooty on the ends, open the air shutter.



Too Much Air

If the flames are all blue and short, close the air shutter.



## FINE TUNING THE EMBER-FYRE™ BURNER

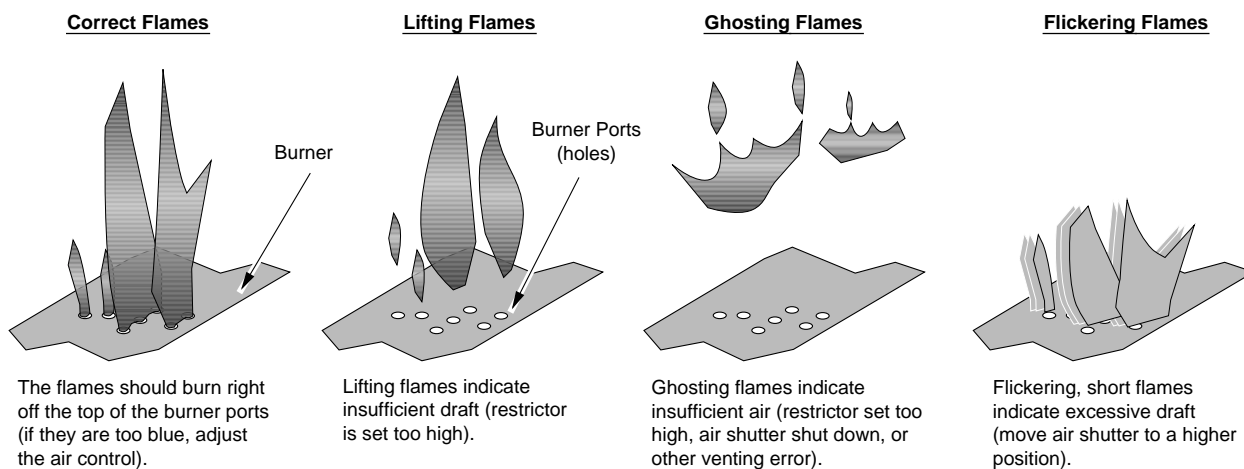
Each installation is affected by altitude, vent configuration, and fuel quality. Because of this, the restrictor and air shutter may need to be fine tuned to each installation. Follow the hints below to fine-tune the burner for optimum performance and aesthetics.

### Restrictor Adjustment:

Only those installations determined to be over-drafting require this adjustment. See the instructions on page 14 for details.

### Air Shutter Hints:

- For more glow, open the air shutter, however, this will make the flames more blue.
- For yellow flames, close the air shutter, however, this may create less glow.

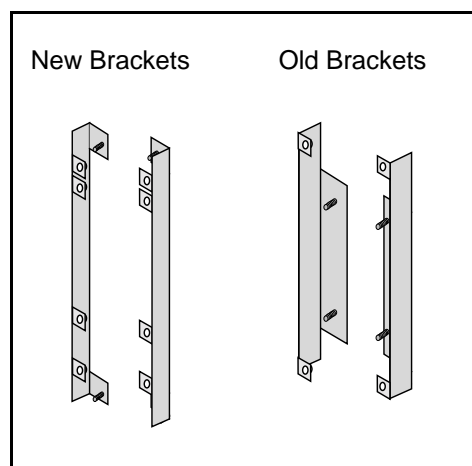


**Warning:** If the vent configuration is installed incorrectly the vent may cause the flames inside the heater to lift or “ghost” – a dangerous situation. Inspect the flames after installation to insure proper performance. If the vent configuration is correct, yet the flames are lifting or ghosting, shut off gas to the heater and contact the dealer for information on remedying the problem.

8. Replace the glass.
9. Attach the face following the directions included with the face.

**NOTE:** If using the Classic Arched, Artisan, Metropolitan or Victorian Lace Face you must use the face mounting brackets included with the heater (SKU 225-20054). See page 11 for details.

10. Turn the flame adjust knob to its highest position - the flames should not contact the top of the firebox. Check the flame on low position. The flames should burn off of each burner hole. If the heater does not work correctly, contact your dealer for a remedy.

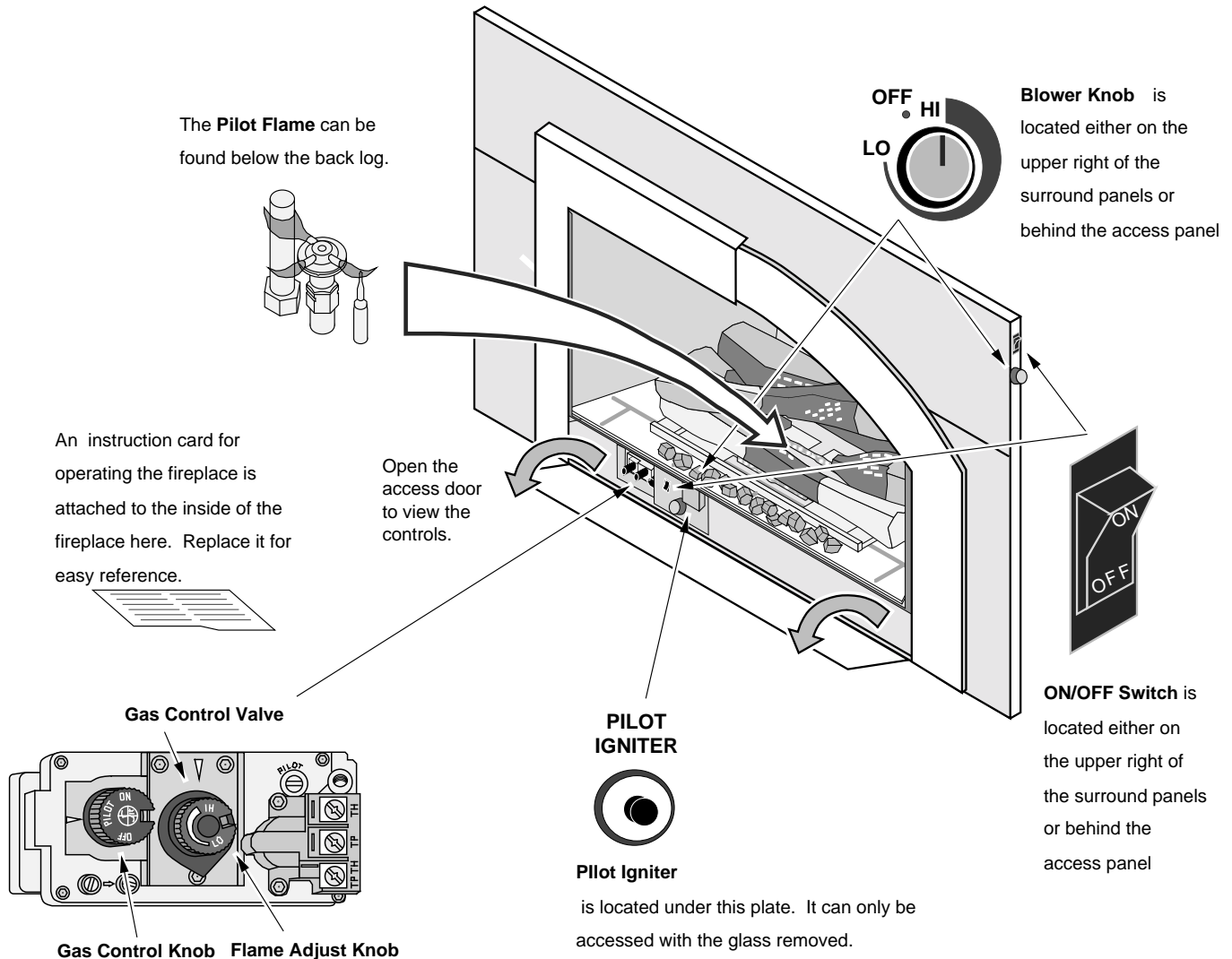


11. Give this manual to the home owner and fully explain the operation of this heater.

## Before You Begin

- Read this entire manual before you use your new heater (especially the section "Safety Precautions" on pages 4 & 5). Failure to follow the instructions may result in property damage, bodily injury, or even death.

## Location of Controls



### Blower Knob

This knob controls the speed of the internal convection blower that pushes the heated air into the room.

### On/Off Switch

This control is used to turn the heater on and off.

### Pilot Igniter

The pilot igniter is used only to start the pilot. When pressed, it sends an electrical charge to the pilot assembly. This creates a blue spark directly next to the pilot, igniting the pilot flame.

### Gas Control Knob

This knob is used to control gas to the heater and for starting the pilot. There are three positions, ON, OFF, & PILOT. The pointer to the left of the knob indicates the position this knob is in.

### Flame Adjust Knob

This knob controls the flame height from low ("LO") to high ("HI"). The pointer above the knob points to the position this knob is in.

### Starting The Pilot Flame

The pilot flame is required to ignite the main burners (it also plays a safety role). It should be left on once lit. It will stay lit unless the gas control valve is turned to "OFF". However, the pilot will go out if the gas is shut off, the propane tank runs out (or low) or if the stove malfunctions. If the pilot turns off frequently, call your dealer for information. To start the pilot follow the directions below:

**WARNING:**

**When lighting or re-lighting the pilot, the glass must be removed (see page 20).**

- a Remove the glass (see page 20 for details).
- b Push the gas control knob in slightly and turn it to the "OFF" position. The knob will not turn from "ON" to "OFF" unless the knob is depressed slightly. Wait five minutes to let any gas that may have accumulated inside the firebox escape. If you smell leaking gas, follow the directions on the cover "IF YOU SMELL GAS".
- c Turn the gas control knob to the "PILOT" position and press the knob in, this will allow gas to flow to the pilot light. Press the button on the pilot igniter repeatedly until you see the pilot light.

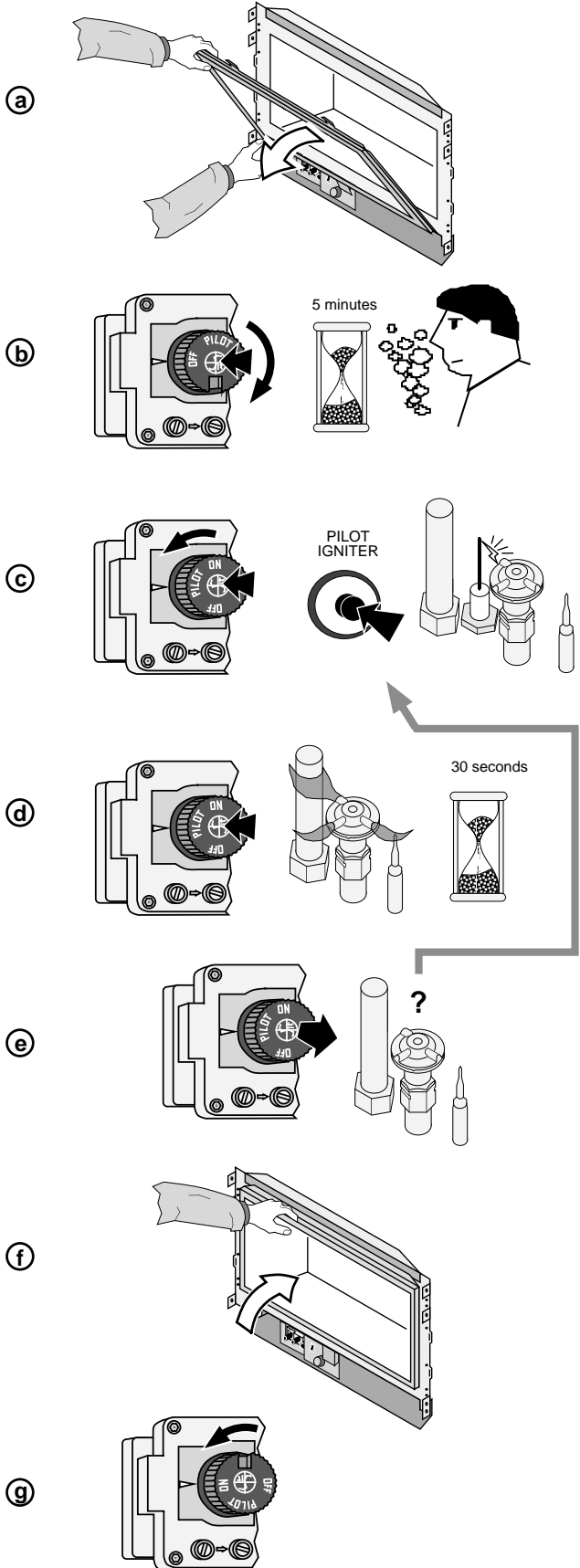
**WARNING:**

**If the pilot does not light after 15 seconds, release the knob and call your dealer for service. Do not attempt to light pilot until service has been performed.**

**NOTE:**

**You may wish to remove the log set to gain a better view of the pilot (see page 22).**

- d Keep the gas control knob depressed for 30 seconds once it is lit.
- e Release the gas control knob. If the pilot goes out, repeat step C. If the pilot refuses to stay lit, call your dealer for service. With the pilot lit, proceed to step "f".
- f Replace the glass.
- g Turn the gas control knob counter-clockwise to "ON". The pilot is now lit and the heater can be turned on and off.

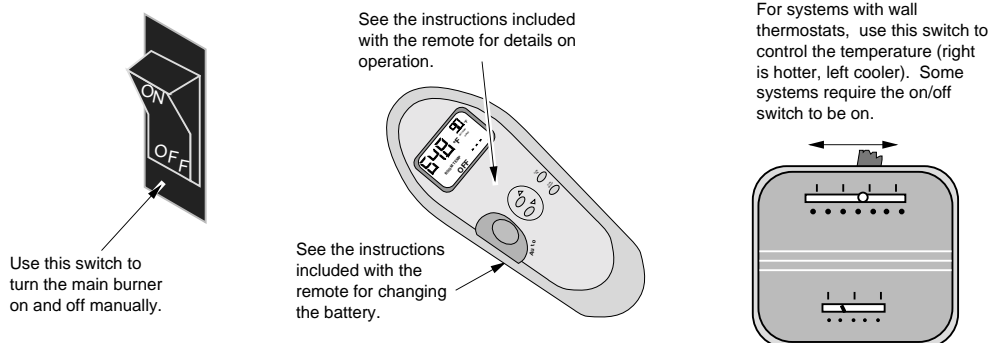


## Starting the Heater for the First Time

- Burn the heater at a high setting with the blower off for an extended period (up to 48 hours). This will cure the painted surfaces. **Fumes** from the paint curing and oil burning off the steel will occur. This is normal. We recommend opening a window to vent the room.
- **Condensation** may appear on the glass each time you start the heater - this is normal.
- **Blue Flames** will occur on the heater when it first comes on. After fifteen minutes the flames will turn a more realistic yellow and orange color.
- Certain installations use a remote "wall switch" to turn the heater on and off. If this is the case, leave the ON/OFF switch "ON".

## Turning the Heater On and Off

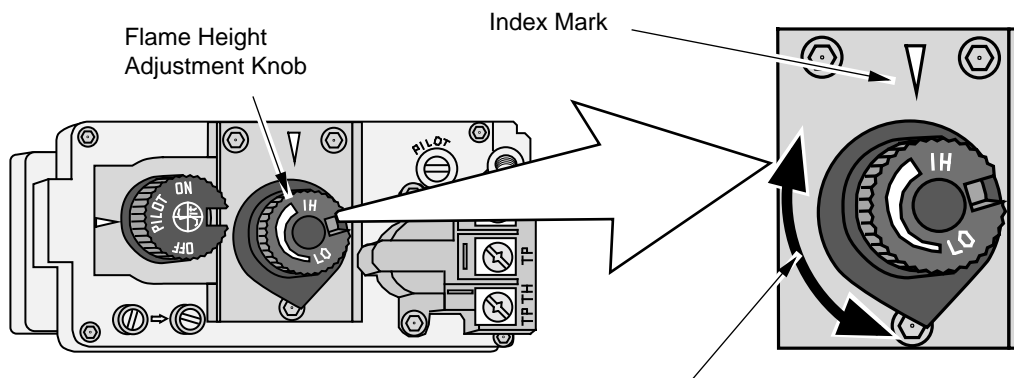
After the pilot has been started...



- Do not place any combustible items on top of or directly in front of the heater, even temporarily. The optional thermostat may start the heater causing a combustible item to ignite.
- If the heater turns on and off frequently while using the thermostat, you may want to adjust the flame height down until it produces just enough heat needed.

## Adjusting the Flame Height

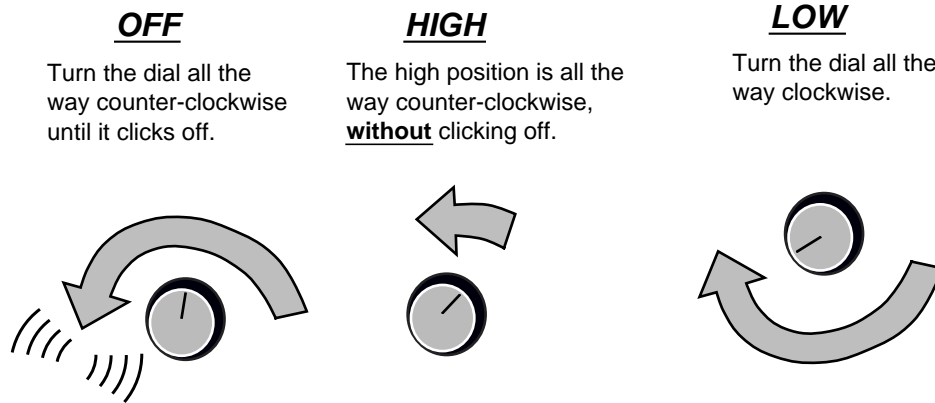
- Your heater has an adjustable flame to tailor the look and heat output to your specific needs. It is adjusted by turning the middle dial on the gas control valve.



Turn counter-clockwise to adjust the flame higher, clockwise to lower.

## Adjusting the Blower Speed

The blower helps transfer heat from the heater into the room. It will not turn on until the heater is up to temperature (approximately 10 minutes after starting). See the illustration below for instructions on adjusting the blower speed.



## Normal Operating Sounds

### Pilot Flame

The pilot flame, which remains on, makes a very slight "whisper" sound.

### Blower

This heater uses a blower to push heated air into the room. You will hear the sound of air movement that increases as the speed is increased.

The appliance will creak with change of temperature.

### Extinction Pops

It is not unusual, especially on Propane (LP) appliances, to experience a "pop" when the burner is shut off.

### Gas Control Valve

As the gas control valve is turned on and off you will hear a dull clicking sound. This is the valve opening up and shutting down.

### Blower Snap Disk

This part can produce a clicking sound as it turns the blower on and off.

## Normal Operating Odors

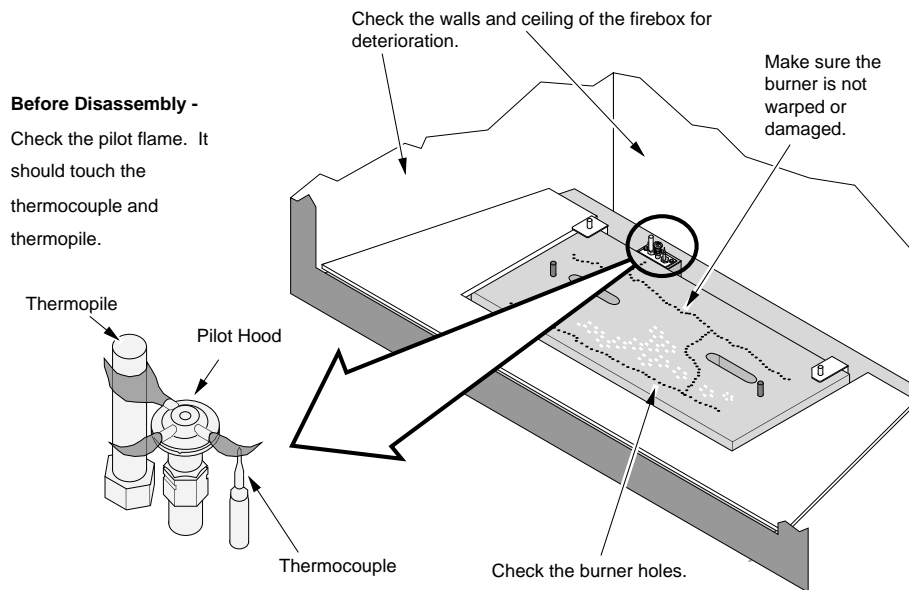
This appliance has several areas that reach high temperatures. Dust or other particles on these areas may burn and create an odor. This is normal during start-up. You may notice the smell is more acute if the appliance was left idle for a long period.

## Maintaining Your Heater's Appearance

Fingerprints or other marks left on the optional plated surface may become etched in place if they are not wiped clean prior to turning the heater on. Clean the plated surfaces with denatured alcohol and a soft cloth (with the heater cool). Other cleaners may leave a film that may become etched into the surface.

## Yearly Service Procedure

- Failure to inspect and maintain the heater may lead to improper combustion and a potentially dangerous situation. We recommend the following procedures be done by a qualified technician.
1. Check the pilot flame. It should touch approximately 3/8" of the top of the thermopile and touch the top of the thermocouple (see illustration below). If it does not, contact your dealer for service.
  2. Shut off gas to the heater by turning the gas control knob to "OFF" (see step A under "Starting the Pilot" on page 27). Let the heater cool for 15 minutes. Remove the face (see the instructions included with the face) and glass (see page 20).
  3. Remove the log set (**NOTE: the logs are very fragile** - see page 22). If severely deteriorated, replace. Check the logs for sooting. A small amount of soot along the bottom of the logs is normal. If excessive sooting is found, the heater will require adjustment. Contact your dealer.
  4. Clean the burner (especially the burner holes) and inspect the following:
    - Make sure the burner is not warped, cracked, or damaged.
    - Check the firebox and area around the pilot to make sure there is no warping or damage.
    - If any problem is found, discontinue use and contact your dealer for service.



5. Replace the log set. Clean and replace the glass (use non-abrasive cleaner - if damaged, replace). Make sure the gasket along the perimeter of the glass contacts the face of the firebox and forms an air-tight seal. If it does not, re-align or replace the gasket to insure an air-tight seal. Replace the faceplate.
6. Inspect the area behind the access door. Check the gas control valve and the gas lines. If damage is found, discontinue use and contact your dealer for service. Clean the air channels, ducts, and the area around the blower.
7. Start the pilot and turn on the main burner. The flames should be orange/yellow and not touch the top of the firebox. If the pilot or main burners do not burn correctly, contact your dealer for service. Monitor the blower operation.
8. Remove any debris or vegetation near the vent termination. Contact your dealer if any sooting or deterioration is found near the vent termination.

**Troubleshooting Table**

<b>Problem:</b>	<b>Possible Cause:</b>	<b>Don't Call for Service Until You:</b>
<b>Pilot Will Not Light</b>	A gas shut off valve is turned off..... The gas control knob isn't turned to "PILOT"..... The valve control knob isn't pushed in..... The igniter wasn't pressed repeatedly..... No Propane in Tank.....	Check all gas shut off valves See "Starting the Pilot Light" Step C See "Starting the Pilot Light" Step C See "Starting the Pilot Light" Step C Check Tank Level
<b>Main Burners Will Not Start</b>	The pilot light has gone out..... The gas control valve is turned to "PILOT" or "OFF" The ON/OFF switch is turned to "OFF"..... The remote control is not working correctly..... The thermostat is disconnected or set too low,...	See "Starting the Pilot Light" See "Starting the Pilot Light" Turn the ON/OFF switch to "ON" See the remote control instructions See "Thermostat Operation"
<b>Remote Control Does Not Work</b>	The pilot light has gone out..... The gas control valve is turned to "PILOT" or "OFF" The ON/OFF switch is turned to "OFF"..... The remote is too far away from the heater..... The remote control receiver is turned "Off"..... One of the two remote control batteries is dead_	See "Starting the Pilot Light" See "Starting the Pilot Light" Turn the ON/OFF switch to "ON" Use the remote closer to the heater See the remote control instructions See the remote control instructions
<b>Thermostat Does Not Work</b>	The pilot light has gone out..... The gas control valve is turned to "PILOT" or "OFF" The ON/OFF switch is turned to "OFF"..... The thermostat is set too low.....	See "Starting the Pilot Light" See "Starting the Pilot Light" Turn the ON/OFF switch to "ON" See "Thermostat Operation"
<b>Heater Will Not Distribute Heat</b>	The heater is not getting electricity..... The heater is not up to temperature.....	Check the breaker switch See "Operating Your Heater"
<b>Pilot Goes Out Intermittently</b>	The gas supply has been shut off.....	Keep the gas supply turned on
<b>Flames Are Too Blue</b>	The heater has just been started..... Improper air shutter adjustment.....	This is normal - see "Starting the Heater for the First Time" Adjust Air Shutter - contact your dealer
<b>Flames Are Too Short (Under 6")</b>	The flame height may be turned too low.....	Turn the flame height to "HI" - See "Adjusting the Flame Height"
<b>Thin Layer of Soot Covers the Glass</b>	The logs or coals are placed incorrectly..... Improper air shutter adjustment.....	See "Log Set Installation" Adjust Air Shutter - contact your dealer

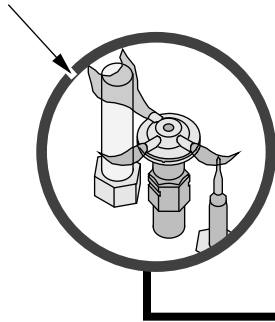
### How this Heater Works

This heater was designed with safety as the primary concern. Many of the components inside this heater are for safety purposes. Therefore, only certified gas service technicians should service this heater.

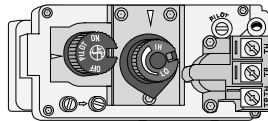
### What Turns the Main Burners On and Off

This heater uses a millivolt system to control its operation (a millivolt is a very small amount of electricity). The thermopile and thermocouple generate electricity when heated by the pilot flame. This electricity is used to operate the gas valve. Without enough electricity, the gas valve will not turn on. That is why when starting the pilot the gas control knob has to be pressed in long enough for the thermocouple to heat up and generate enough electricity. The thermopile provides power for the ON/OFF switch, remote control, or thermostat (see the illustration below). Because the thermopile generates the electricity needed to turn the heater on and off, this heater can be operated when the power is out (although the blower will not run).

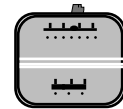
When heated, the thermopile generates electricity (a very small amount measured in "Millivolts").



This electricity is used to operate the main burners.



The main burners are switched on and off using the electricity generated by the thermopile. The ON/OFF switch, remote control, or thermostat control the circuit to the main burner.



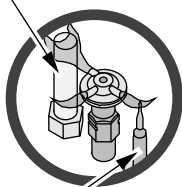
### What Prevents Gas Buildup

This appliance utilizes a high-technology gas valve in conjunction with a pilot flame to ensure no gas builds up inside the firebox.

The thermocouple (next to the pilot) senses when the pilot flame is lit. If the pilot flame goes out, this thermocouple no longer generates electricity, causing the gas valve to automatically shut off all gas to the heater, preventing the pilot from spilling gas into the firebox.

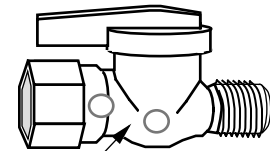
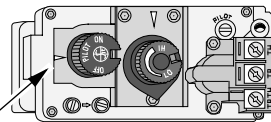
#### Pilot Flame

The pilot flame is a time-proven component that eliminates the possibility of gas buildup inside the firebox.



#### Gas Valve

This high-technology valve automatically shuts off all gas if it does not receive a signal from the thermocouple. If any component is damaged or sensing a malfunction, or if the wiring is damaged, it will shut off all gas.



#### External Shut Off Valve

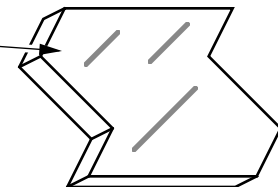
This valve is placed on the gas line to shut off gas to the appliance during maintenance procedures.

#### Thermocouple

The thermocouple generates a small amount of electricity. If the pilot flame goes out, the gas valve automatically shuts off all gas.

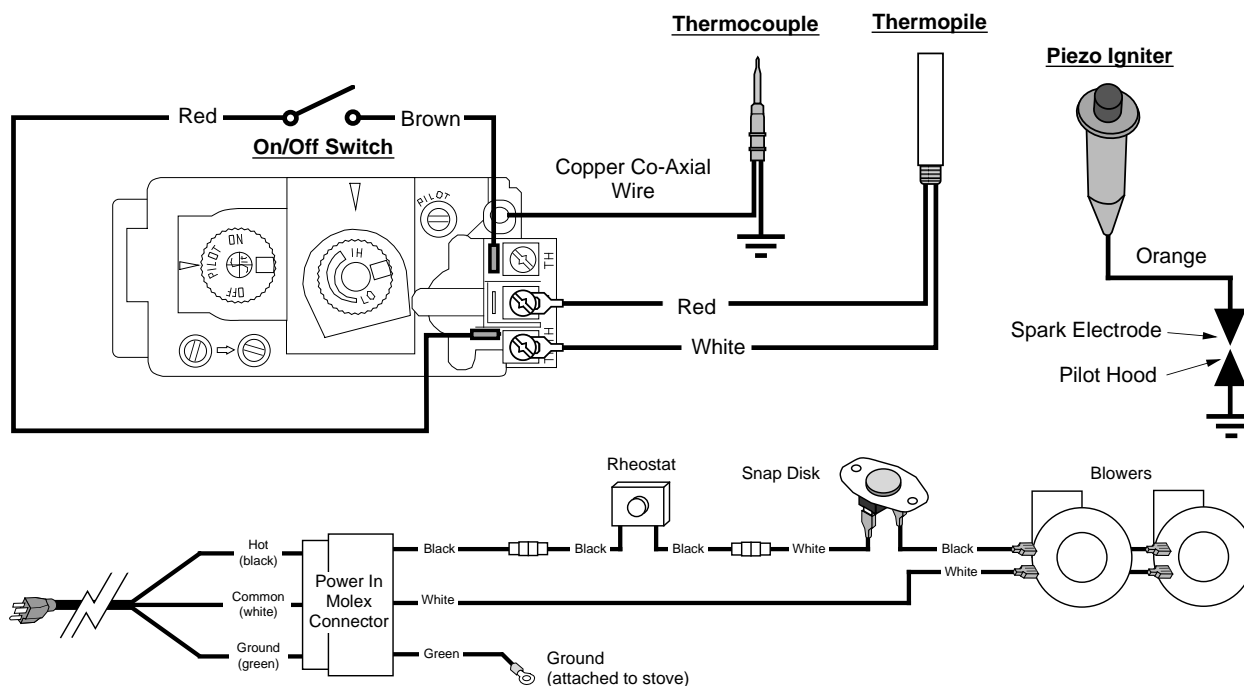
#### Ceramic Glass

The glass in your heater is the most durable glass available. It has been tested to be extremely resistant to breakage from temperature changes.





## Wiring Diagram



**Caution:** Label all wires prior to disconnection when servicing controls. Wiring errors can cause improper and dangerous operation.

## Replacement Parts List


**Caution:** Use only Travis Industries replacement parts. Do not use substitute materials.

**Warning:** Do not operate appliance with the glass front removed, cracked, or broken. Replacement of the glass should be done by a licensed or qualified service person.

BLOWER S-ASSY, LEFT DVL/DVS-	228-10085	MANIFOLD PLUG, 1/8-27NPT #	100-05114
BLOWER S-ASSY, RIGHT DVL/DVS-	228-10086	ORFC MNFLD ASS'Y - DVL (B41)	226-40029
BLWR MNT& S.S ACC PLT DVL 06'	250-00025	ORIFICE, BURNER - No. 44	100-05221
BURNER ASS'Y (EF), B41 LP/NG	226-20052	ORIFICE, BURNER - No. 46 #	100-05208
BURNER BOTTOM BRICK LEFT - B41	172-01037	ORIFICE, BURNER - No. 55	100-05218
BURNER BOTTOM BRICK RGHT - B41	172-01038	PAINT, METALLIC BLACK 4oz	100-02401
CNTRL VLV/BRKT ASS'Y, DVL/DVS-	226-42027	PIEZO IGNITER, ALL GAS UNITS	100-05110
CONTROL ASS'Y, DVL '05/DVS '06	228-30060	PILOT ASS'Y, NG - S.I.T. #	100-05403
CONV PARTS, LP - DVL INS/ZC -	225-10321	PILOT BRACKET (DVL INS '05)	210-05771
CORD RESTRAINER	100-00112	PILT/BRKT S-ASS'Y, DVL INS '05	226-44019
FACE BRKT PACK, DVL INS 2005	225-20054	PIPE ADAPTER, 3/8 FLARE x3/8M	100-05113
FLEX PIPE, 3/8od x 12 BLK #	100-05115	POWER CORD, w/MOLEX CONNECTOR	100-00260
GLASS SPRING PIN ASSY, 2004+	221-22220	PRES RELIEF DOOR (1), G4/G5/	91001541
GLASS/FRAME ASS'Y, DVL INS '05	224-21018	RHEOSTAT, RECTANGULAR - w/OFF	100-00122
GROMMET, UNIV BLOWERS, 5/8od x	100-02813	SNAP-DISC, 110deg, 2 PR#	98500789
GSKT, BLWR ACCESS PLATE - DVL	100-03255	SPACER, 1/4 dia. x .312 - BRS	100-02816
GSKT, WIRE PLATE - DVL/DVS INS	100-03260	SPRING, COMPRESSION - .375 x	100-02508
INJECTOR, PILOT - LP (#35) #	100-05217	STOVE PACK, DVL INS EF '05	225-10489
KNOB (PLASTIC), RHEOSTATS #	100-04111	SWITCH, ON/OFF - SMALL, GAS #	98900747
LBL, INST. - LIGHTING PLATE	112-00330	THERMO-COUPLE - S.I.T. #	93006518
LOG EMBERS, E4 - SMALL BAG	90006820	THERMO-GENERATOR - S.I.T. #	93006519
LOG SET, LS13 - SIX PIECE #	172-00013	TOOL, KEY - DIE CAST ZINC	100-02314
LOG, FRONT (CHUNK) - LS13 #	172-00210	VALVE REGULATOR, LP SIT #	100-05504
LOG, LEFT - LS13 #	172-00206	VALVE, NG - S.I.T. (1.6-3.5)	100-05508
LOG, LEFT TWIG - LS13 #	172-00208	WIRE HRNS EXT, DUAL-BLOWER	100-00306
LOG, REAR - LS13 #	172-00205	WIRE HRNS, MAIN - DV '96 & UP	100-00364
LOG, RIGHT - LS13 #	172-00207		
LOG, RIGHT TWIG - LS13 #	172-00209		

Safety Label

The safety (listing) label is attached to the operating tag (chained to the heater near the gas control valve). A copy is shown below


 Listed to UL 308  
 Underwriters Laboratories Inc.  
 One Wacker Drive  
 Oak Brook, IL 60455-4100  
 Certified for USA

**DVL Insert**  
Vented Gas Fireplace Heater

Tested to: ANSI Z21.88-2003 "Vented Gas Fireplace Heater" and UL 307b-1995 "Gas Burning Heating Appliances for Manufactured Homes".  
 This appliance must be installed in accordance with local codes. If any; if none, follow the National Fuel Gas Code, ANSI Z223.1/NFPA 54, Part 3280.  
 Installation in Manufactured or Mobile Homes must conform with Manufactured Home Construction and Safety Standard, Title 24 CFR, Part 3280.  
 This vented gas fireplace heater is equipped at the factory for use with natural gas. If conversion to propane (LP) is desired, the optional factory conversion kit must be used.  
 This appliance is only for use with the type of gas indicated on the rating plate and may be installed in an aftermarket permanently located, manufactured (mobile) home where not prohibited by local codes. See owner's manual for details. This appliance is not convertible for use with other gases, unless a certified kit is used.  
 This vented gas fireplace heater is not for use with air filters.  
 Keep burner and control compartment clean. See installation and operating instructions accompanying appliance.  
 This appliance must be properly connected to a venting system in accordance with the manufacturer's installation instructions. Use only approved coastal direct vent system to vent the appliance to the exterior. See owner's manual for proper damage, Refer to the owner's information manual provided with this appliance. For assistance or additional information consult a qualified installer, service agency or the gas supplier.

**VENTED GAS FIREPLACE HEATER – NOT FOR USE WITH SOLID FUEL**

**CAUTION:** Hot while in operation. Do not touch. Severe burns may result. Keep children, clothing, furniture, gasoline and other liquids having flammable vapors away. Do not operate this appliance with glass removed, cracked or broken. Replacement of the panel(s) should be done by a licensed or qualified service person.

Minimum Clearances to Combustibles		FAN TYPE VENTED CIRCULATOR Blower Electrical Rating: 115 V <sub>A</sub> , 1.5 Amps, 60 Hz, 150 watts	
Side of Insert to Adjacent Wall .....	4" (102mm)	LP	N.G.
Hearth Extension in Front .....	0" (0mm)	Input Rate on "H" (BTU/Hr).....	40,000 40,000
Hearth Extension to Sides of Insert .....	0" (0mm)	Input Rate on "O" (BTU/Hr).....	29,000 28,000
		Main Burner Orifice (DMS).....	55, 55 46, 44
		This appliance is equipped for installation at 0-2000 ft.	
		In USA, for altitudes above 2,000 feet, the vent configuration, orifice, or combination of both may need to be changed. See the owner's manual for information on making these changes.	
Base of Insert to Mantel .....	See Owner's Manual	Minimum Inlet Pressure (inches W.C.) .....	11" 5.5"
Base of Insert to Top Facing .....	See Owner's Manual	Maximum Inlet Pressure (inches W.C.) .....	13" 7"
Flue Vent .....	See Owner's Manual	Manifold Pressure on "H" (inches W.C.) .....	10" 3.5"
Steady State Efficiency .....	Up to 81% (blowers on)		
Output Capacity Rating .....	Up to 32,400 (blowers on)		

- MANUFACTURE DATE:**
- 2007
  - Jan.
  - Apr.
  - Jul.
  - Oct.
  - 2008
  - Feb.
  - May
  - Aug.
  - Nov.
  - 2009
  - Mar.
  - Jun.
  - Sep.
  - Dec.

Manufactured by:


**TRAVIS INDUSTRIES**  
**HOUSE OF FIRE**  
 4800 Harbour Pointe Blvd. SW  
 Mukilteo, WA 98275

0573 (IGN)

# Limited 7 Year Warranty

35

To register your TRAVIS INDUSTRIES, INC. 7 Year Warranty, complete the enclosed Warranty card and mail it within **ten (10)** days of the appliance purchase date to: TRAVIS INDUSTRIES, INC., 4800 Harbour Pointe Blvd. SW, Mukilteo, WA 98275. TRAVIS INDUSTRIES, INC. warrants this gas appliance (appliance is defined as the equipment manufactured by Travis Industries, Inc.) to be defect-free in material and workmanship to the original purchaser from the date of purchase as follows:

Check with your dealer in advance for any costs to you when arranging a warranty call.  
Mileage or service charges are not covered by this warranty. This charge can vary from store to store.

## Years 1 & 2 - COVERAGE: PARTS & LABOR

### Burner Assembly:

Burner, Burner Pan, Air Shutter Assembly, Main Burner Orifice

### Firebox Assembly:

Adjustable Air Restrictor, Pressure Relief Mechanisms, Barometric Control Mechanism (for models with Remote Heat Ducts), Glass Attachment Mechanism

### Electrical Assembly (within heater structure):

Blower, wiring harness, snap discs, rheostat speed control

### Gas Control Assembly

Adjustable control valve, millivolt wiring and connectors (located within the metal heater structure), thermopile, thermocouple, pilot hood, orifices, pilot gas line, piezo ignitor

### Ceramic Glass

Glass (breakage from thermal shock)

### Ceramic Logs

Log Set, Coals, Ember Strip (Steel Fiber)

### Gold, Nickel & Copper Plating

Face & Door (see "Conditions and Exclusions" # 9)

### Accessories

Cast Brick, Cast Firebacks, Power Heat Ducts, Andirons

### Convection Heat Exchanger

### Re-Installation Allowance

In cases where heater must be removed from home for repairs, a partial cost of re-installation is covered (pre-authorization required)

### One-Way Freight Allowance

One-way freight allowance on pre-authorized repair done at factory is covered.

**Exclusions:** Paint, Gasketing

## Years 3 THROUGH 5 - COVERAGE: PARTS & LABOR

### Convection Heat Exchanger

### Firebox Assembly:

Adjustable Air Restrictor, Pressure Relief Mechanisms, Barometric Control Mechanism (for models with Remote Heat Ducts), Glass Attachment Mechanism

### One-Way Freight Allowance

One-way freight allowance on pre-authorized repair done at factory is covered.

**Exclusions:** Paint, Gasketing, Burner Assembly, Electrical Assembly, Gas Control Assembly, Ceramic Glass, Ceramic Logs, Gold, Nickel & Copper Plating, Accessories, Re-Installation Allowance

## Years 6 & 7 - COVERAGE: PARTS ONLY

### Firebox Assembly:

Adjustable Air Restrictor, Pressure Relief Mechanisms, Barometric Control Mechanism (for models with Remote Heat Ducts), Glass Attachment Mechanism

**Exclusions:** Paint, Gasketing, Burner Assembly, Electrical Assembly, Gas Control Assembly, Ceramic Glass, Ceramic Logs, Gold, Nickel & Copper Plating, Accessories, Convection Heat Exchanger, Re-Installation Allowance, One-Way Freight Allowance, Labor

## CONDITIONS & EXCLUSIONS

1. This new gas appliance must be installed by a qualified gas appliance technician. It must be installed, operated, and maintained at all times in accordance with the instructions in the Owner's Manual. Any alteration, willful abuse, accident, neglect, or misuse of the product shall nullify this warranty.
2. This warranty is nontransferable, and is made to the ORIGINAL purchaser, provided that the purchase was made through an authorized TRAVIS dealer.
3. Discoloration and some minor expansion, contraction, or movement of certain parts and resulting noise, is normal and not a defect and, therefore, not covered under warranty. The installer must ensure the appliance is burning as per the rating tag at the time of installation. Over-firing (operation above the listed BTU rate) of this appliance can cause serious damage and will nullify this warranty.
4. The warranty, as outlined within this document, does not apply to the chimney components or other Non-Travis accessories used in conjunction with the installation of this product. If in doubt as to the extent of this warranty, contact your authorized TRAVIS retailer before installation.
5. Travis Industries will not be responsible for inadequate performance caused by environmental conditions such as nearby trees, buildings, roof tops, wind, hills or mountains or negative pressure or other influences from mechanical systems such as furnaces, fans, clothes dryers, etc.
6. This Warranty is void if:
  - a. The unit has been operated in atmospheres contaminated by chlorine, fluorine or other damaging chemicals.
  - b. The unit is subject to submersion in water or prolonged periods of dampness or condensation.
  - c. Any damage to the unit, combustion chamber, heat exchanger or other components due to water, or weather damage which is the result of, but not limited to, improper chimney/venting installation.
7. Exclusions to this 7 Year Warranty include: injury, loss of use, damage, failure to function due to accident, negligence, misuse, improper installation, alteration or adjustment of the manufacturer's settings of components, lack of proper and regular maintenance, damage incurred while the appliance is in transit, alteration, or act of God.
8. This 7 Year warranty excludes damage caused by normal wear and tear, such as paint discoloration or chipping, worn or torn gasketing, corroded or cracked logs, embers, etc. Also excluded is damage to the unit caused by abuse, improper installation, modification of the unit, drilling of the orifices, or the use of fuel other than that for which the unit is configured. Units are shipped for natural gas and must be converted to propane using the included conversion kit. Confirm fuel configuration with your installer.
9. Damage to gold or nickel surfaces caused by fingerprints, scratches, melted items-, or other external sources left on the gold or nickel from the use of cleaners other than denatured alcohol is not covered in this warranty.
10. TRAVIS INDUSTRIES, INC. is free of liability for any damages caused by the appliance, as well as inconvenience expenses and materials. Incidental or consequential damages are not covered by this warranty. In some states, the exclusion of incidental or consequential damage may not apply.
11. This warranty does not cover any loss or damage incurred by the use or removal of any component or apparatus to or from the gas appliance without the express written permission of TRAVIS INDUSTRIES, INC. and bearing a TRAVIS INDUSTRIES, INC. label of approval.
12. Any statement or representation of TRAVIS products and their performance contained in TRAVIS advertising, packaging literature, or printed material is not part of this 7 year warranty.
13. This warranty is automatically voided if the appliance's serial number has been removed or altered in any way. If the appliance is used for commercial purposes, it is excluded from this warranty.
14. No dealer, distributor, or similar person has the authority to represent or warrant TRAVIS products beyond the terms contained within this warranty. TRAVIS INDUSTRIES, INC. assumes no liability for such warranties or representations.
15. Travis Industries will not cover the cost of the removal or re-installation of hearths, facing, mantels, venting or other components.
16. If for any reason any section of this warranty is declared invalid, the balance of the warranty remains in effect and all other clauses shall remain in effect.
17. THIS 7 YEAR WARRANTY IS THE ONLY WARRANTY SUPPLIED BY TRAVIS INDUSTRIES, INC., THE MANUFACTURER OF THE APPLIANCE. ALL OTHER WARRANTIES, WHETHER EXPRESS OR IMPLIED, ARE HEREBY EXPRESSLY DISCLAIMED AND PURCHASER'S RECOURSE IS EXPRESSLY LIMITED TO THE WARRANTIES SET FORTH HEREIN.

## IF WARRANTY SERVICE IS NEEDED:

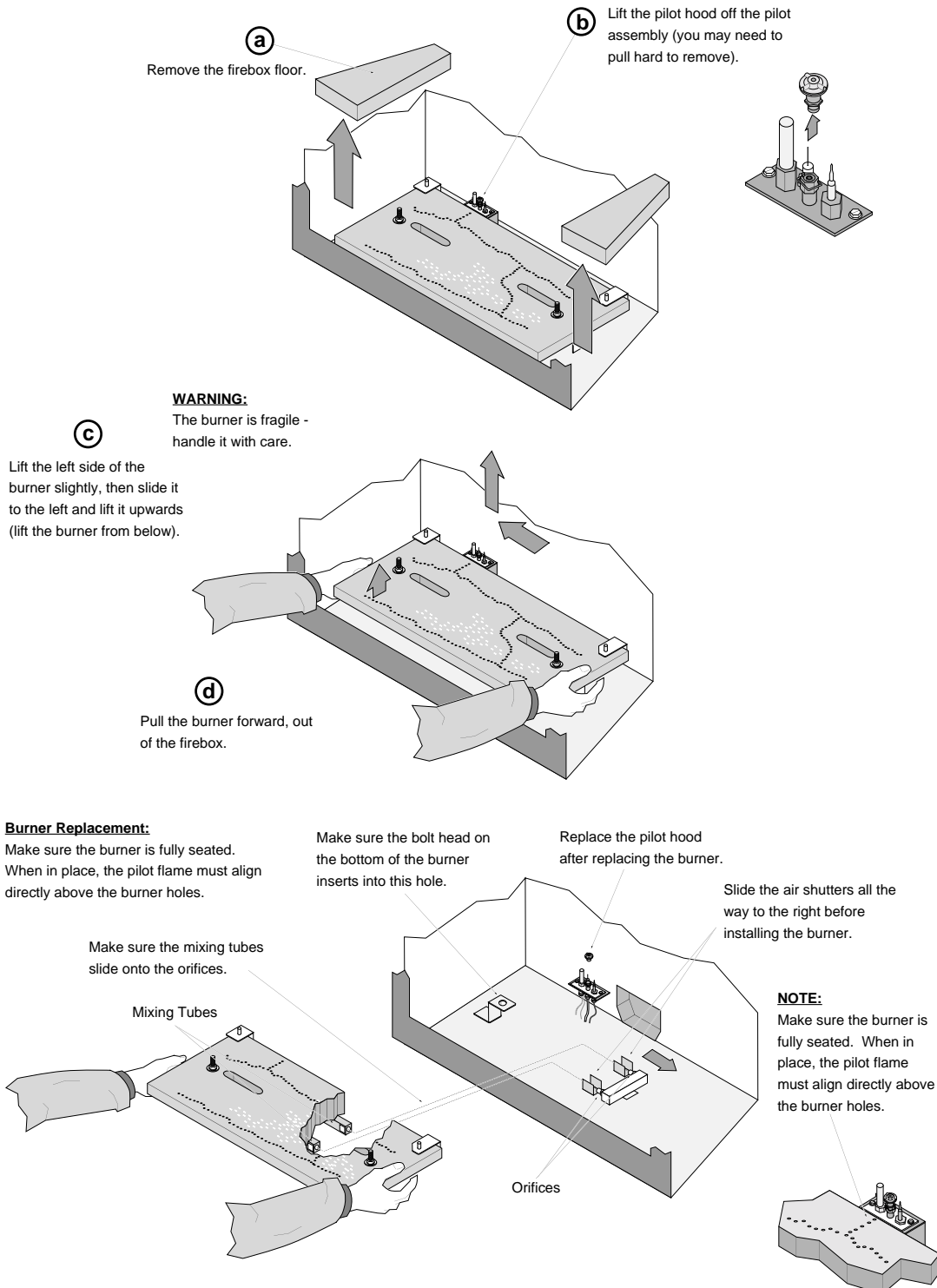
1. If you discover a problem that you believe is covered by this warranty, you MUST REPORT it to your TRAVIS dealer WITHIN 30 DAYS, giving them proof of purchase, the purchase date, and the model name and serial number.
2. Travis Industries has the option of either repairing or replacing the defective component.
3. If your dealer is unable to repair your appliance's defect, he may process a warranty claim through TRAVIS INDUSTRIES, INC., including the name of the dealership where you purchased the appliance, a copy of your receipt showing the date of the appliance's purchase, and the serial number on your appliance. At that time, you may be asked to ship your appliance, freight charges prepaid, to TRAVIS INDUSTRIES, INC. TRAVIS INDUSTRIES, INC., at its option, will repair or replace, free of charge, your TRAVIS appliance if it is found to be defective in material or workmanship within the time frame stated within this 7 year warranty. TRAVIS INDUSTRIES, INC. will return your appliance, freight charges (years 1 to 5) prepaid by TRAVIS INDUSTRIES, INC., to your regional distributor, or dealership.
4. Check with your dealer in advance for any costs to you when arranging a warranty call. Mileage or service charges are not covered by this warranty. This charge can vary from store to store.

**LP Conversion Instructions**

**Install the conversion kit prior to installing the gas line to ensure proper gas use.**

- 1 Remove the glass (see page 20). Remove the logs and coals (if installed - page 22)
- 2 Remove the burner (see illustration below).

**WARNING:** Do not disassemble the burner – screws on the burner must be left in place.



3 Follow the directions below to replace the orifices.

**a** Slide the air shutters all the way to the left.

**b** Use a 1/2" open end wrench to unscrew both orifices.

**c** Apply thread sealant to the LP orifices prior to installation. Use the chart below to identify the correct orifices.

Look here for the orifice identification

	LP	NG
Front	#55	#46
Rear	#55	#44

**d** Screw the LP orifice in so the orifice shoulder protrudes 5/16" (indicating full insertion).

4 Remove the pilot orifice following the instructions below. Replace with the propane pilot orifice

**a** Lift the pilot hood off the pilot assembly.

**b** Use a hex wrench to unscrew the orifice.

5/32" Hex

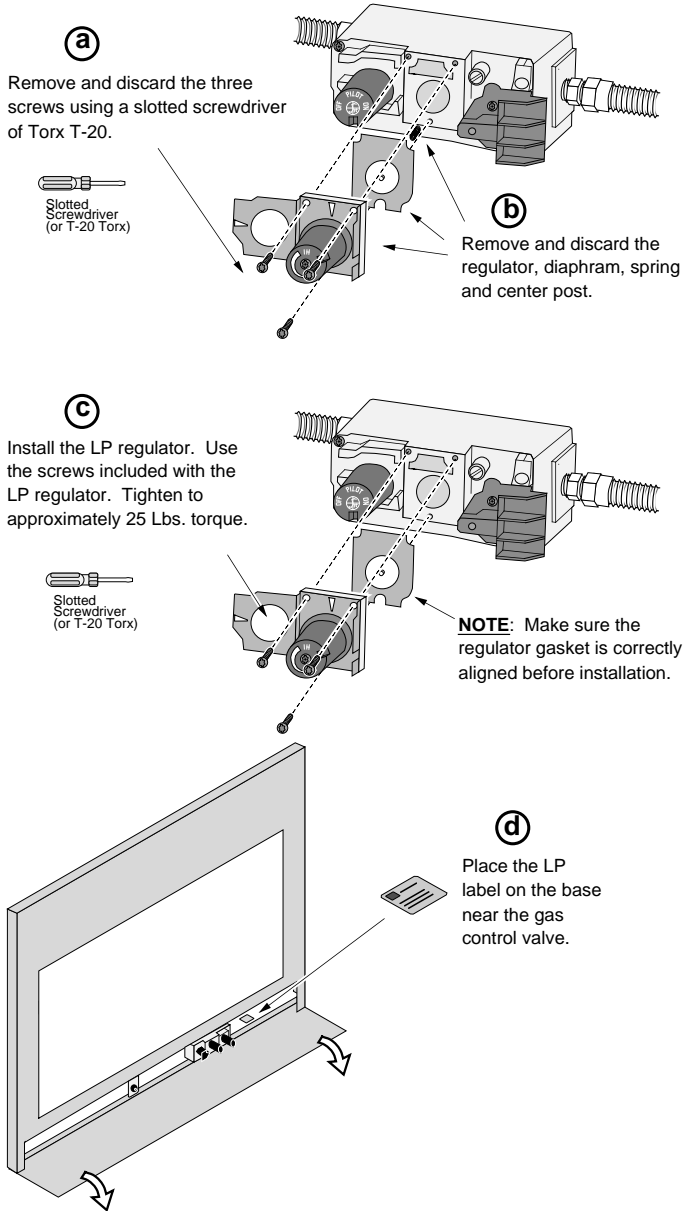
**c** Remove the orifice and replace with the LP orifice. Screw the orifice all the way in and replace the pilot hood.

**NOTE:** when re-attaching, this pin lines up with the notch in the pilot hood.

**Orifice Identification:**

LP (Propane) Orifice	35
NG (Natural Gas) Orifice	62

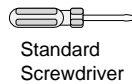
- 5 Install the logs and embers.
- 6 Replace glass and face.
- 7 Remove the regulator from the front of the gas control valve. Replace with the propane regulator, using the new gasket and screws included with the regulator. **NOTE: Leak test this area after the heater is installed, gas is connected, and the main burner is lit.**



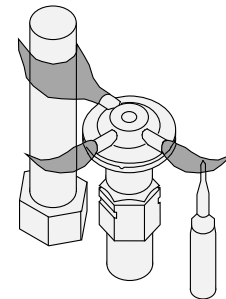
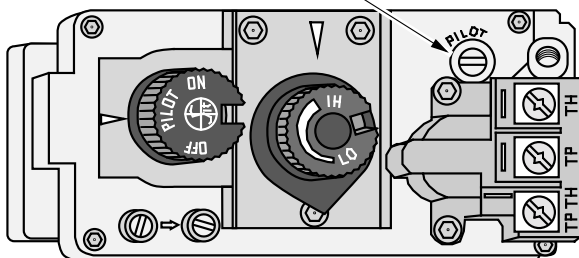
- 8 Make the gas line connection, bleed the gas line (if applicable), start the heater and thoroughly leak-test all gas connections and the gas control valve. Check the pilot. Adjust if necessary.

**WARNING:** When lighting or re-lighting the pilot, the glass must be removed (see page 20).

To adjust the pilot flame, turn this screw (NOTE: if totally unscrewed gas will come out of this port). Clockwise lowers the flame while counter-clockwise raises it.



The pilot flame must contact the thermocouple and thermopile (see the illustration below). Adjust the pilot up or down as necessary.



## Firebacks

**WARNING** Turn off gas to the appliance and make sure it has fully cooled prior to conducting service.

- 1 Remove the glass frame and logs (see the manual for details).

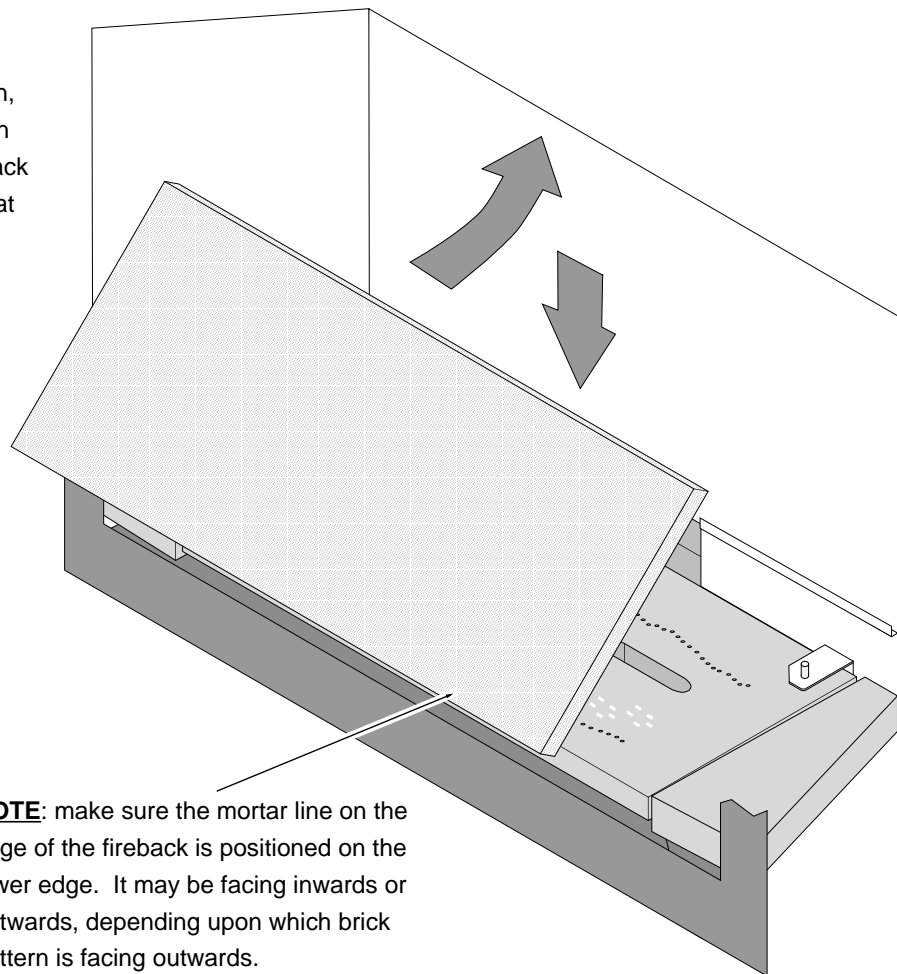
**IMPORTANT INSTALLATION NOTE FOR MODELS USING THE ACCENT LIGHT:**

Follow the steps below if installing the firebacks with an accent light.

- Remove the burner (see page 36).
- Install the rear fireback (see the directions below).
- Install the accent light (page 41).
- Replace the burner.
- Install the side firebacks (see the directions on the following page).

- 2 Install the rear fireback following the directions below.

Hold the rear fireback face down, slide the top behind the baffle on top of the firebox, and pivot it back into place. It rests on the shelf at the back of the firebox.

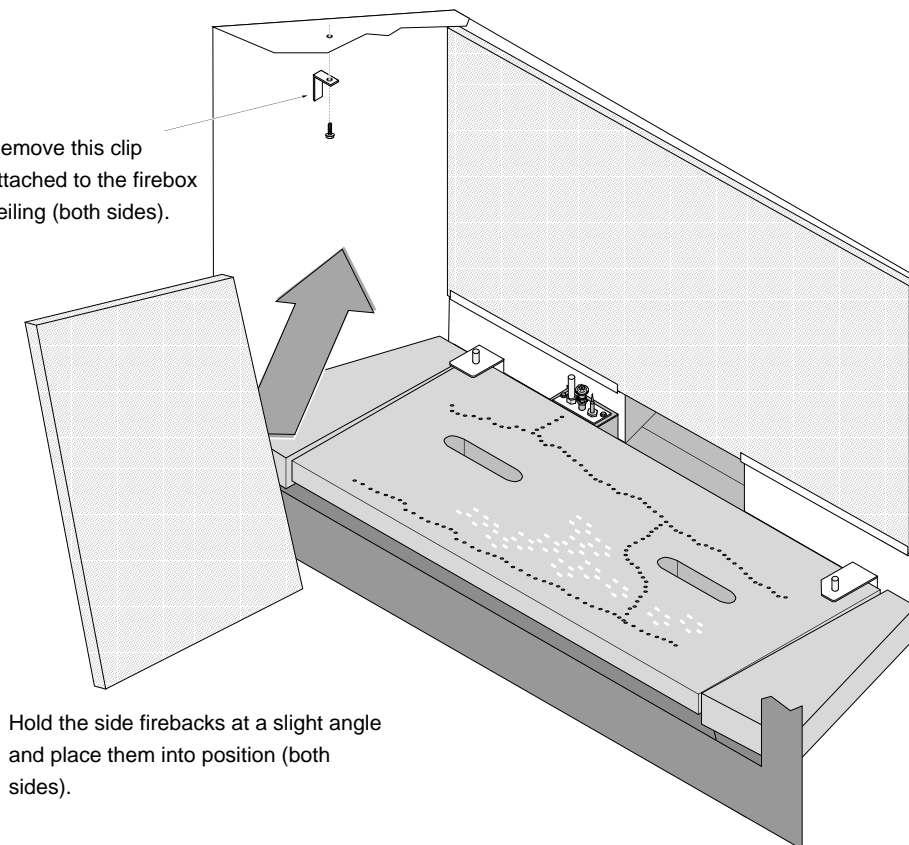


**NOTE:** make sure the mortar line on the edge of the fireback is positioned on the lower edge. It may be facing inwards or outwards, depending upon which brick pattern is facing outwards.

- 3 Install the side firebacks following the directions to the right.

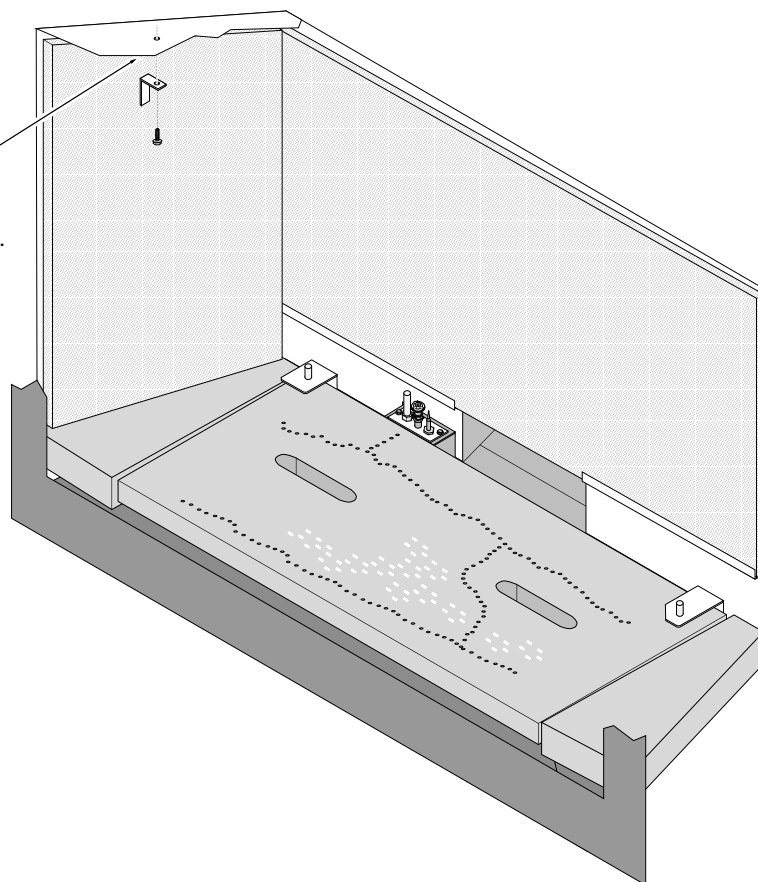
- 4 Restore the fireplace to the correct configuration.

Remove this clip attached to the firebox ceiling (both sides).



Hold the side firebacks at a slight angle and place them into position (both sides).

Replace the clip to secure the side fireback (both sides).





## Accent Light



Make sure power to the heater has been turned off prior to installation (unplug the power cord).



Do not connect 110-120 VAC to the gas control valve or the on/off circuit on this fireplace.

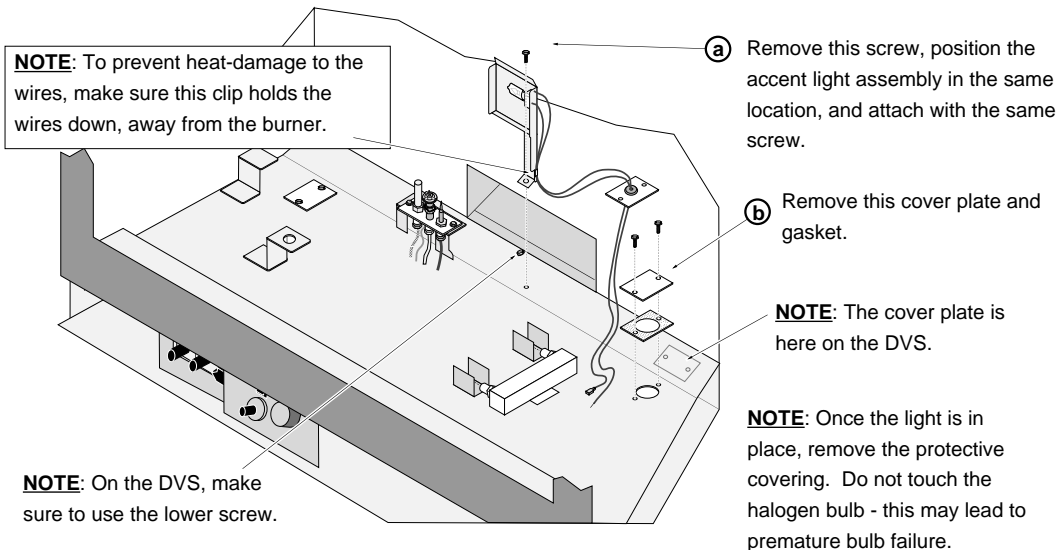


### IMPORTANT INSTALLATION NOTE FOR MODELS USING THE FIREBACKS:

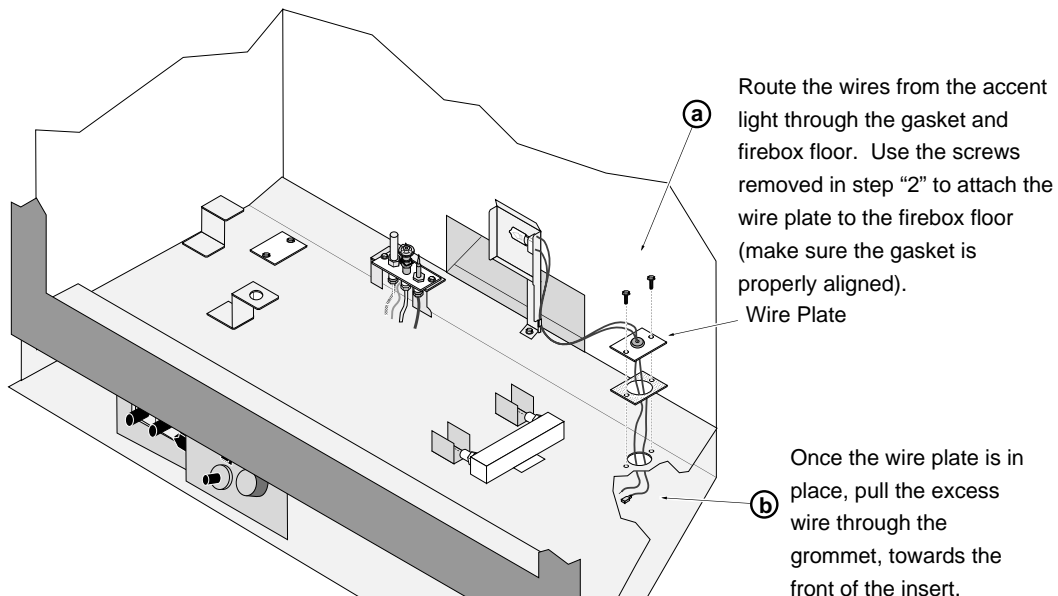
Follow the steps below if installing the firebacks with an accent light.

- Remove the burner.
- Install the rear fireback.
- Install the accent light.
- Replace the burner.
- Install the side firebacks.

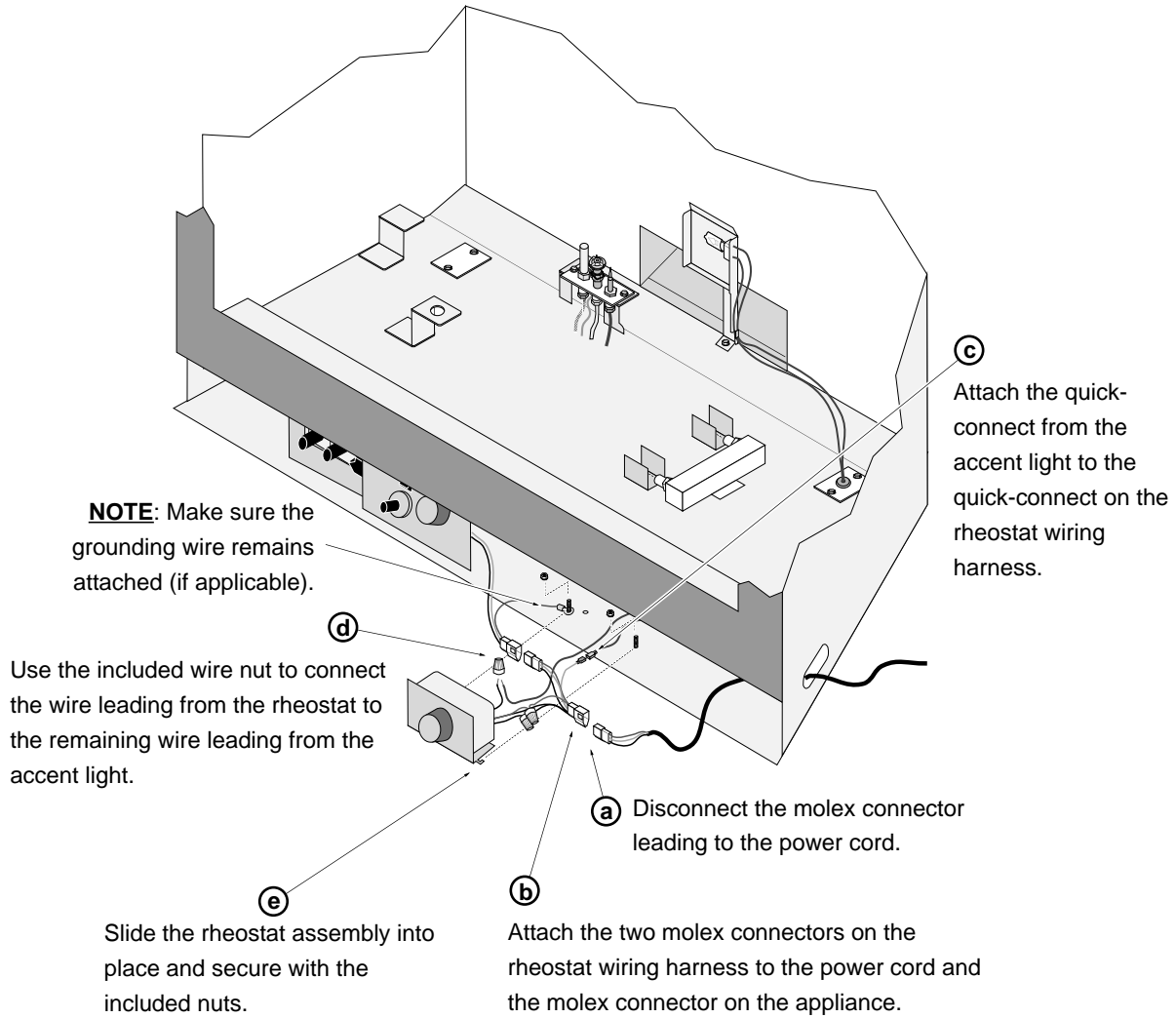
- 1 Remove the burner (see the manual for details).
- 2 Install the accent light and remove the cover plate as shown below.




- 3 Attach the wire plate as shown below.



4 Attach the rheostat assembly and wiring harness as shown below.

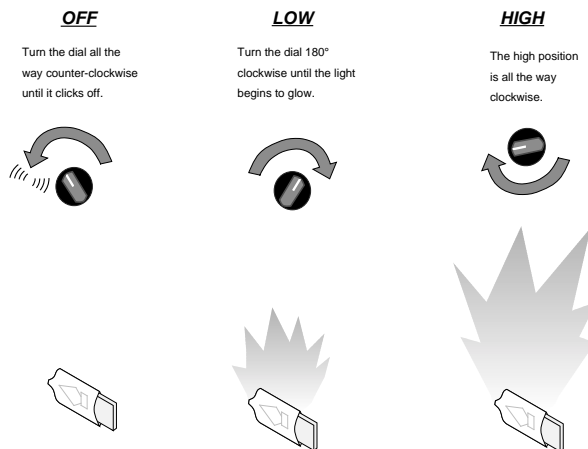


 **Make sure all wiring does not contact the firebox or blower (use wireties if necessary).**

5 Restore the firebox to the correct configuration (replace the burners, etc.).

**Accent Light Operation**

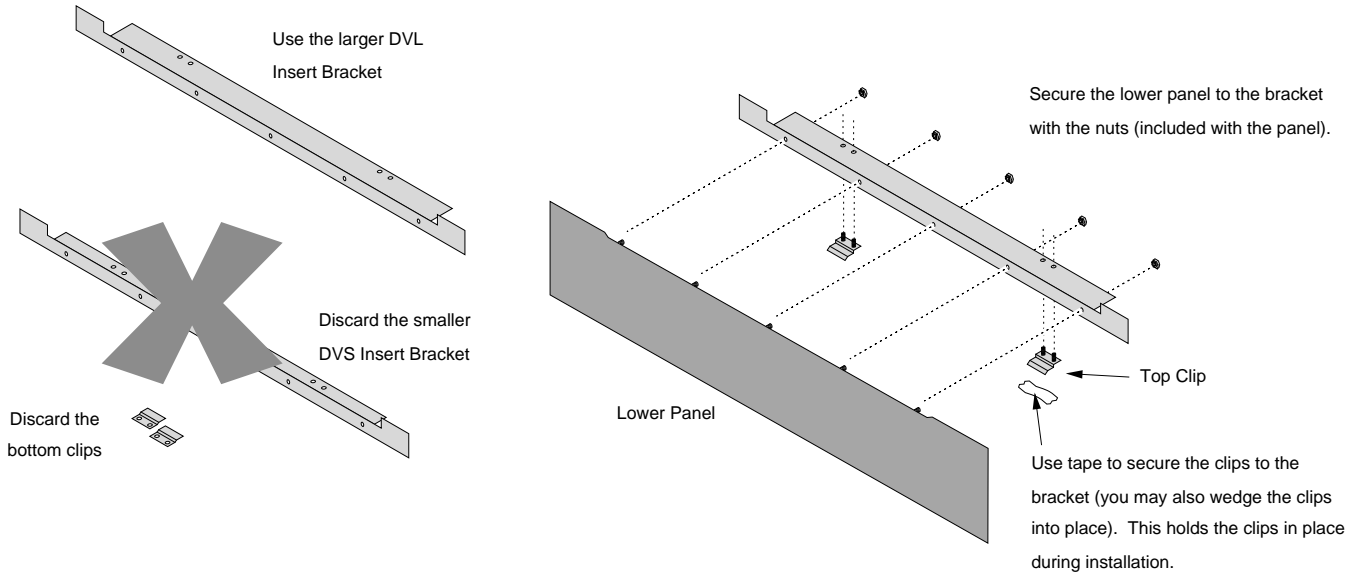
**NOTE:** The accent light responds best when turned to high, then turned down to the desired light level.



**Lower Surround Panel**

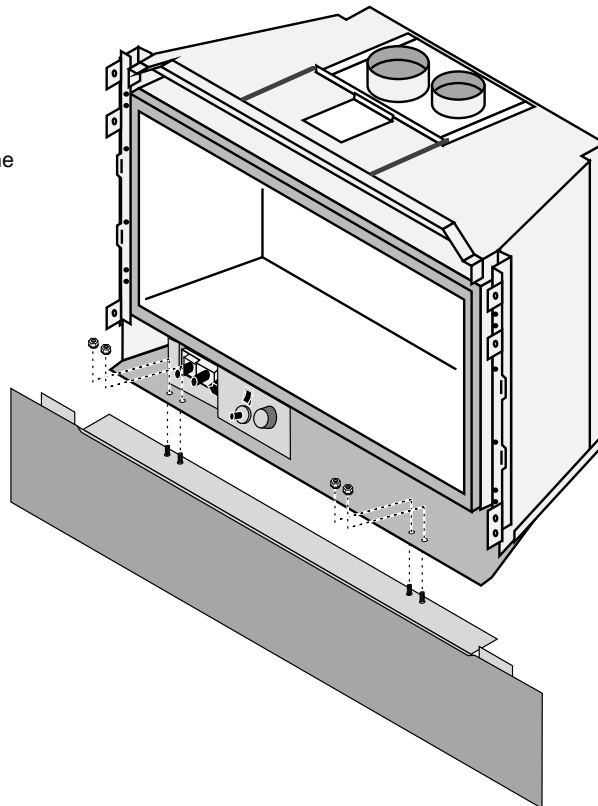
The older lower surround panel (sku 98500619 and 98500628) are installed in a different fashion than illustrated in the instruction sheet included with the panel. Follow the directions below.

- 1 Prepare the panel following the directions below.



- 2 Attach the panel to the insert following the directions below.

Attach the lower surround panel to the inset with the nuts (included with the panel).



Additional Items Required.....	7	Mantel Clearances.....	10
Adjusting the Blower Speed.....	29	Normal Operating Odors.....	29
Adjusting the Flame Height.....	28	Normal Operating Sounds.....	29
Air Shutter Adjustment.....	24	Odors (see "Normal Operating Odors").....	29
Altitude Considerations.....	13	On / Off Operation.....	28
Before You Begin.....	26	Order of Installation.....	7
Blower Operation.....	29	Packing List.....	7
Cap (Termination) Requirements.....	13	Panels.....	18
Clearances.....	10	Pilot Flame - Starting.....	27
Condensation on Glass (see "Starting Heater").....	28	Pilot Flame Inspection.....	24
Controls.....	26	Propane Conversion (LP Conversion Instructions).....	36
Dimensions.....	6	Replacement Parts List.....	33
Electrical Connection.....	19	Safety Label.....	34
Face Sizing.....	11	Safety Precautions.....	4
Factory-Built (Metal) Wood-Burning Fireplace Requirements.....	9	Service (Yearly Service Procedure).....	30
Fan Operation.....	29	Smells (see "Normal Operating Odors").....	29
Features.....	6	Sounds.....	29
Firebacks.....	39	Specifications.....	6
Fireplace Requirements.....	8	Starting the Heater for the First Time.....	28
Flame Height.....	28	Starting The Pilot Flame.....	27
Gas Inlet Pressure.....	12	Steps for Finalizing the Installation.....	24
Gas Line Location.....	12	Surround Panel Installation.....	18
Gas Line Requirements.....	12	Top Convection Deflector.....	8
Glass Frame Removal and Installation.....	20	Troubleshooting Table.....	31
Hearth Requirements.....	9	Turning the Heater On and Off.....	28
Heating Specifications.....	6	Vent Configurations.....	15
How this Heater Works.....	32	Vent Connector Removal and Installation.....	16
Installation of the On/Off Switch and Rheostat.....	19	Vent Installation.....	14
Installation Options.....	6	Vent Location.....	15
Installation Warnings.....	7	Vent Requirements.....	13
Introduction.....	2	Vent Restrictor.....	14
Items Packed with the Face.....	7	Warnings.....	4
Safety Label.....	34	Warranty.....	35
Location of Controls.....	26	Window (Glass) Removal and Installation.....	20
Log Set Installation.....	22	Wiring Diagram.....	33
LP Conversion Instructions.....	36	Yearly Service Procedure.....	30
Maintaining Your Heater's Appearance.....	30		