



Hearthview (864) Wilmington Face

Pewter 99300495

Black 99300496

Compatibility:

- 864TRV Fireplace
- 864ST Fireplace
- 864HO Fireplace

Packing List:

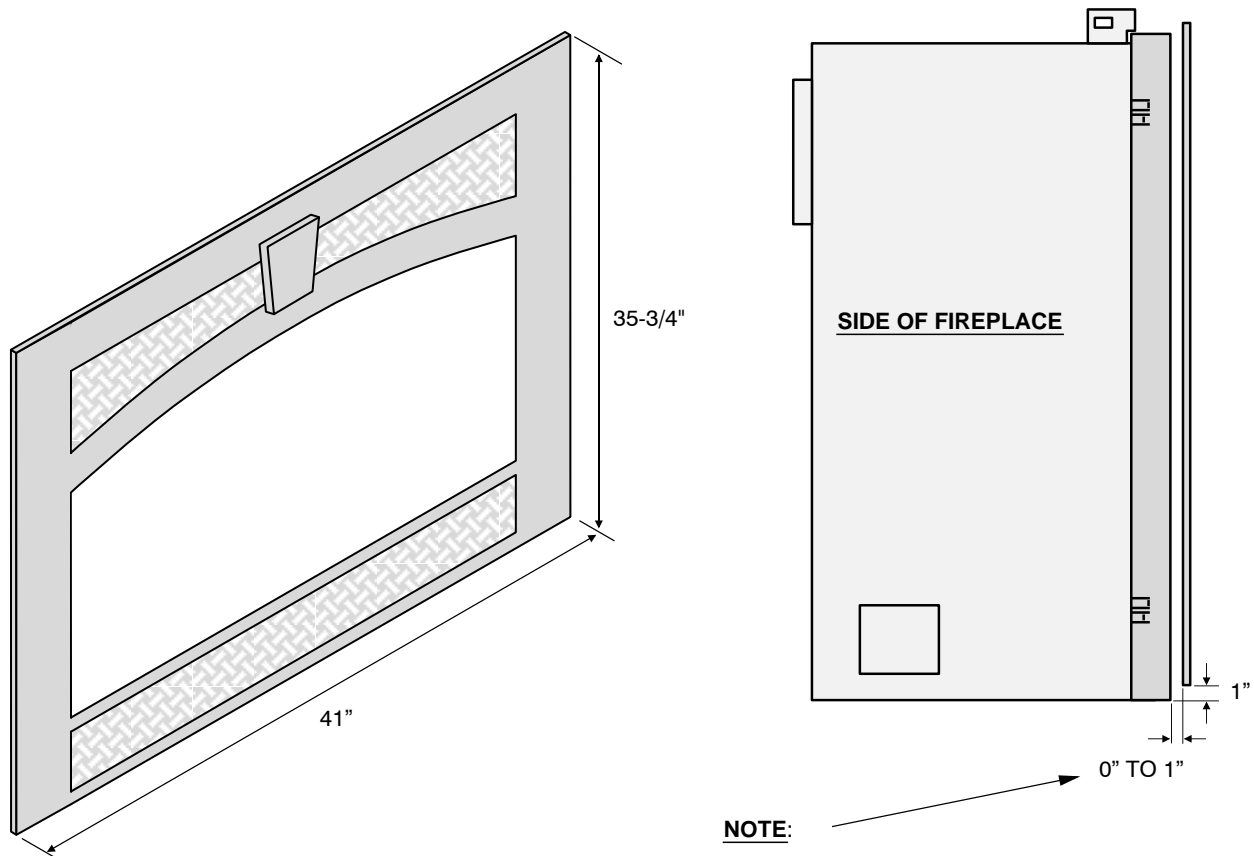
- Face
- Glass Frame Cover
- Aromatherapy Bracket
- Face Baffle
- (2) Upper Face Brackets (w screws attached)
- (4) Fireplace Brackets (upper and lower)
- (16) Nuts (for Face Brackets & Aromatherapy Bracket)
- (2) 10-24 1-1/2" Screws

Aromatherapy Option

NOTE: Aromatherapy option is not compatible with the 864HO.

This face is compatible with the aromatherapy tray (sku 98500385) on the 864ST and 864TRV. If using this option, make the necessary modifications to the face prior to installing the face (see page 7 of this instruction sheet for details).

Installation Details



NOTE:

This face has an adjustable bracket that allows for different facing depths to be tucked under the face.



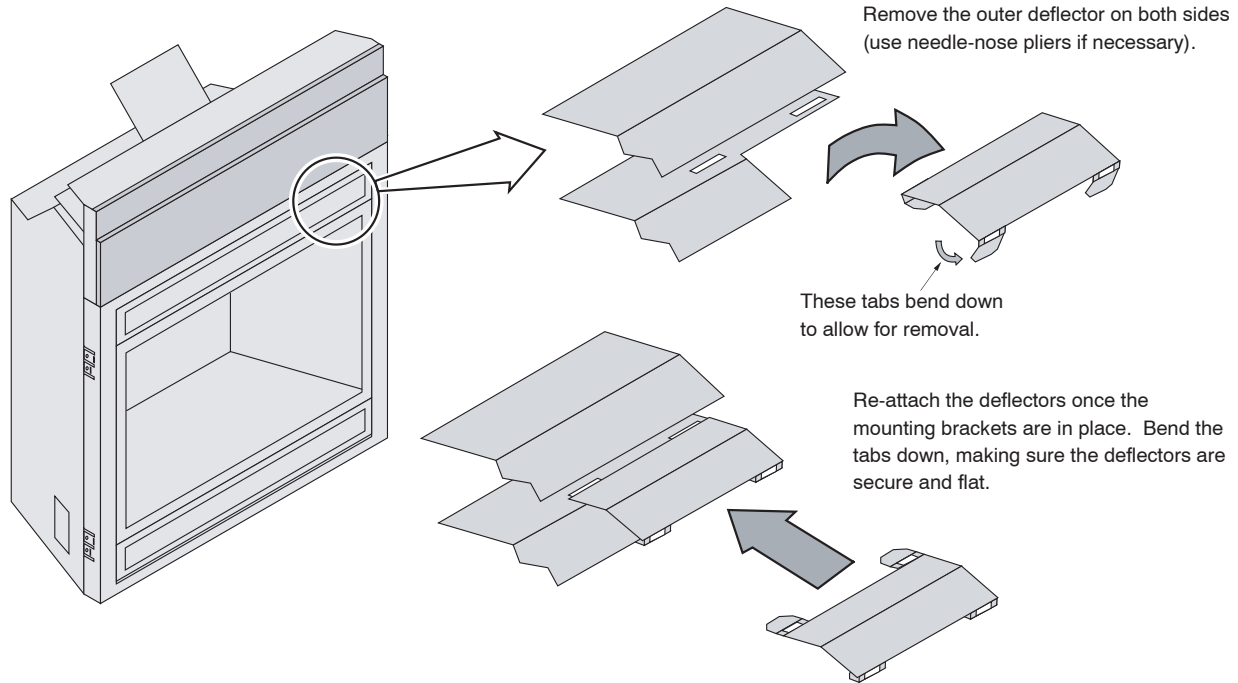
Hearthview (864) Wilmington Face

Pewter 99300495

Black 99300496

Special Instructions for 864HO Fireplaces

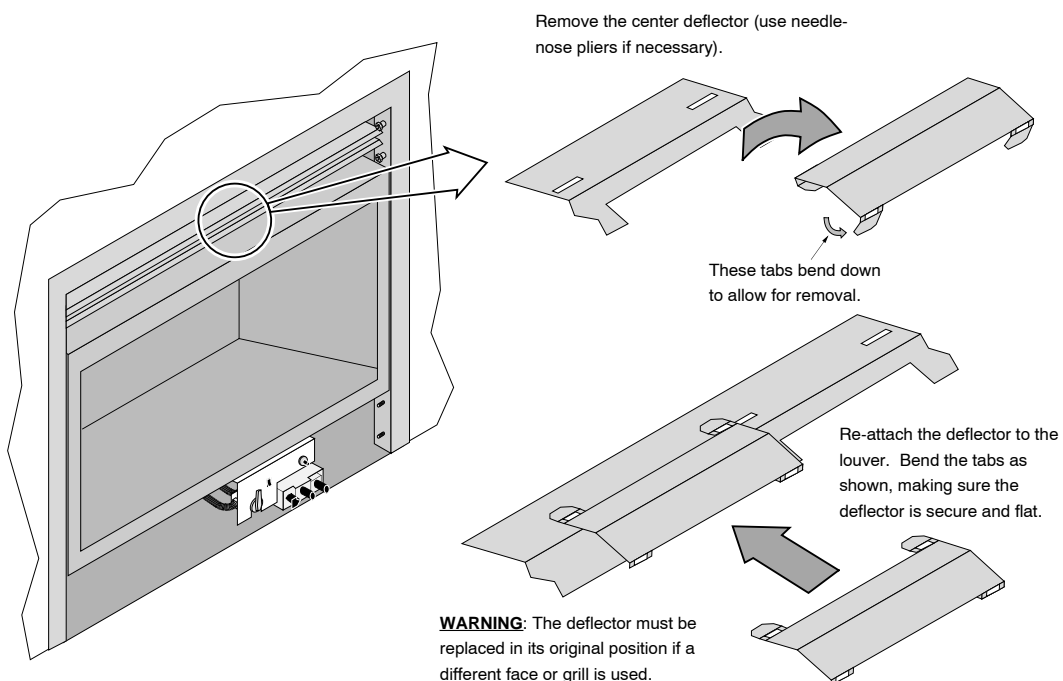
The Wilmington face requires the outer grill deflectors to be removed to allow for installation of the face mounting brackets. Once the brackets are installed, replace the deflectors. See the instructions below.



Special Instructions for 864ST Fireplaces

The Wilmington face requires removal of the center deflector prior to installing the face.

NOTE: This deflector must be replaced to its original position if a different face or grill is used.





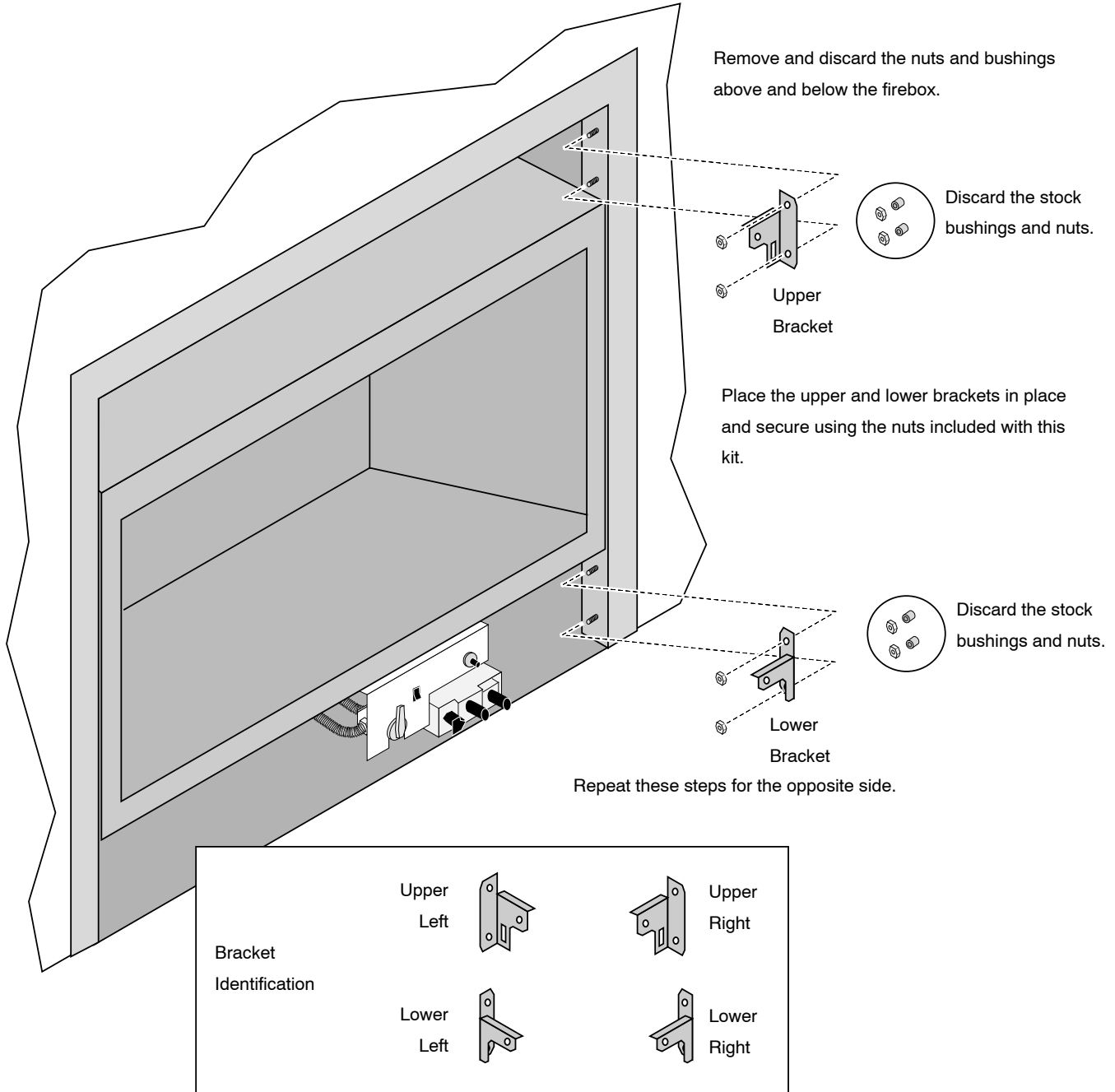
Hearthview (864) Wilmington Face

Pewter 99300495

Black 99300496

Installation

- 1 Install the fireplace brackets onto the fireplace following the directions below.





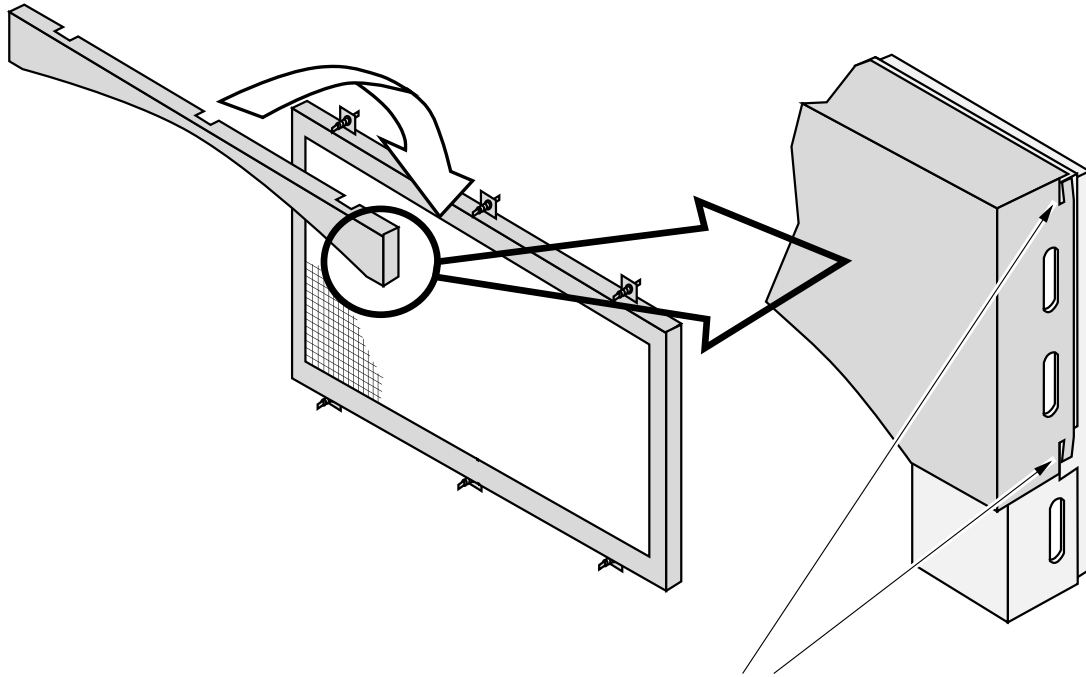
Hearthview (864) Wilmington Face

Pewter 99300495

Black 99300496

2 Install the glass frame cover following the directions below.

Place the cover over the top of the door frame.



Push these pins inwards
to lock the cover in place.

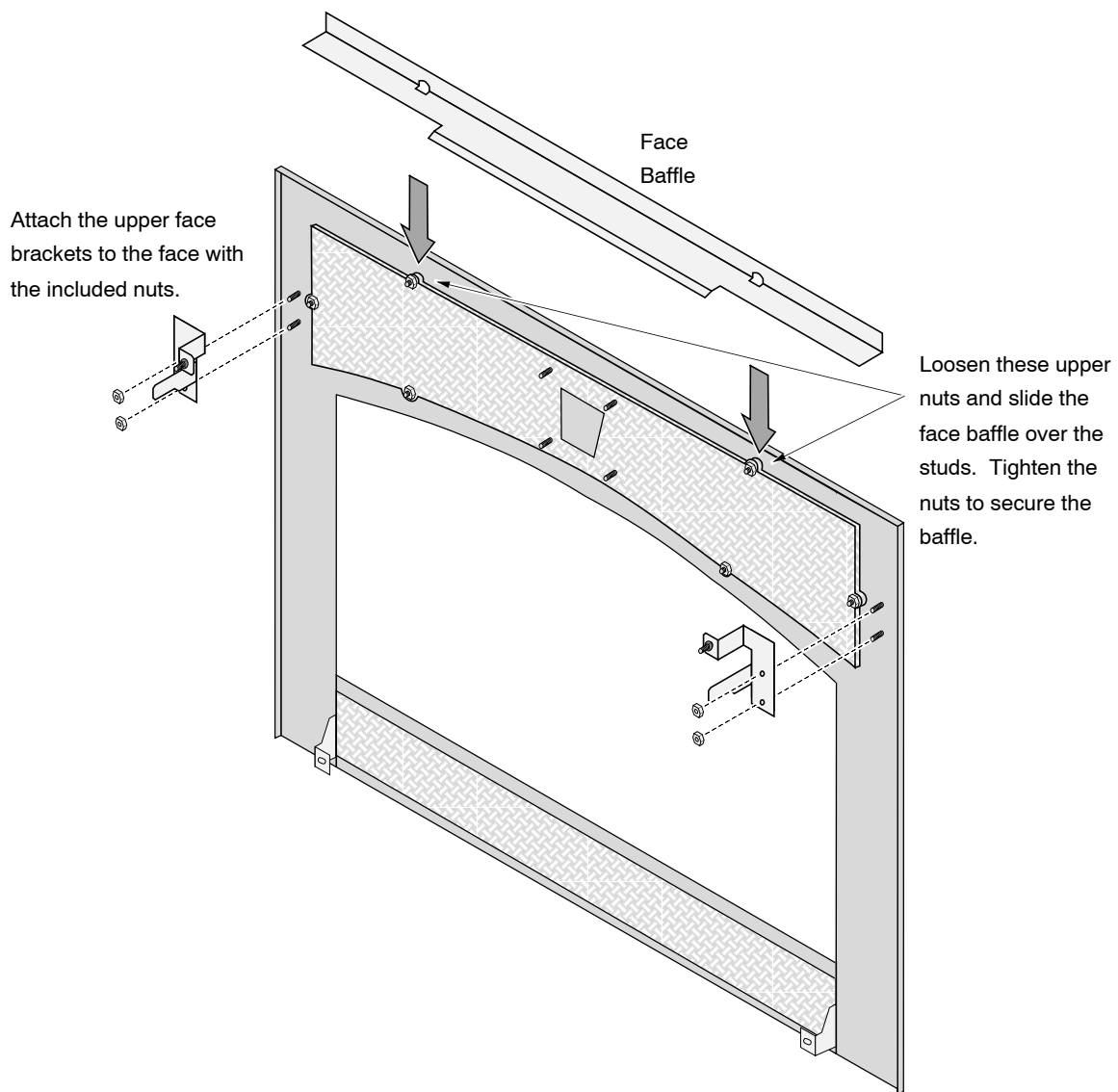


Hearthview (864) Wilmington Face

Pewter 99300495

Black 99300496

3 Attach the face baffle and face brackets following the directions below.





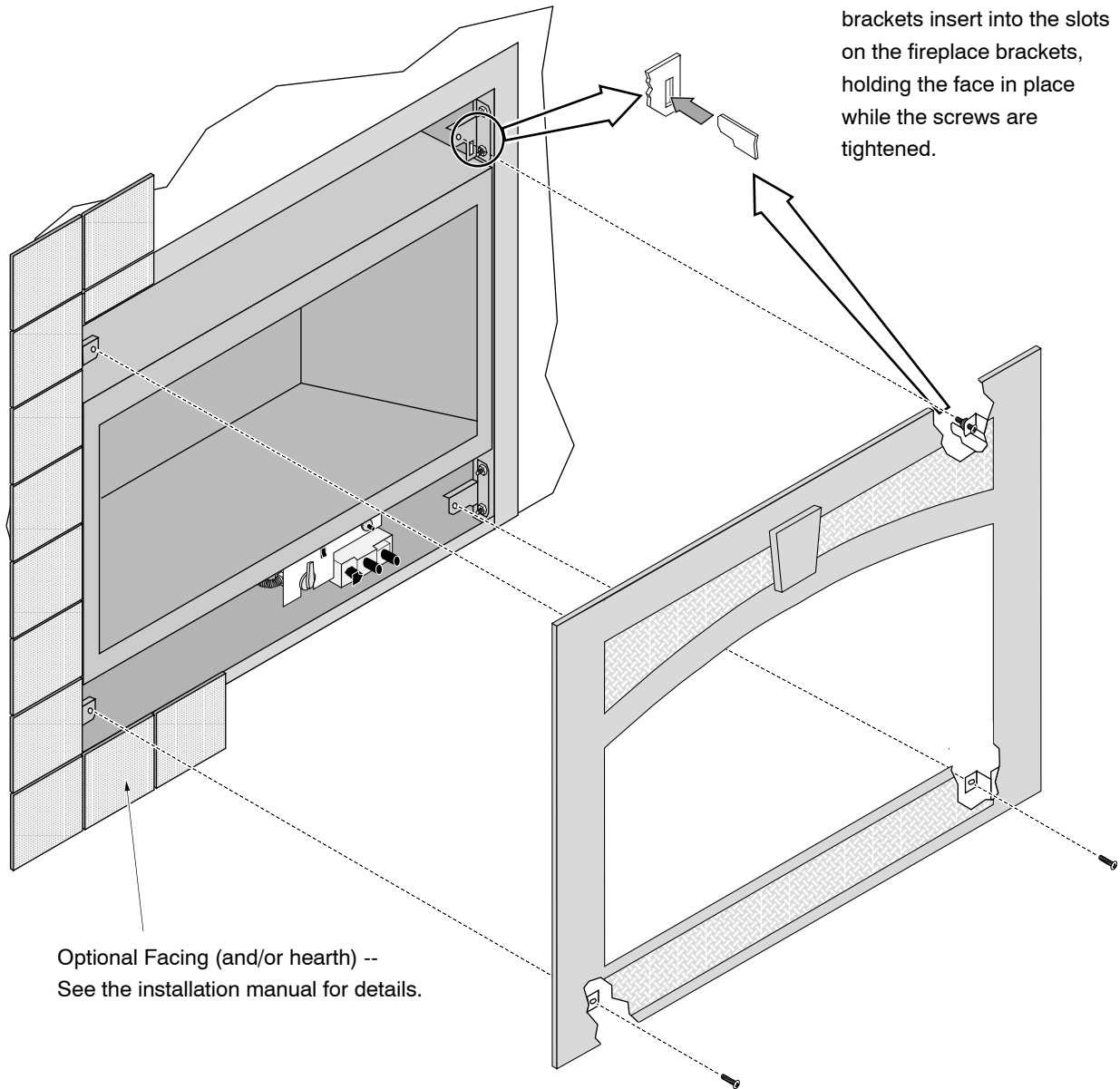
Hearthview (864) Wilmington Face

Pewter 99300495

Black 99300496

4 Install the face following the directions below.

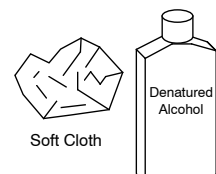
Slide the face into place. The tabs on the upper brackets insert into the slots on the fireplace brackets, holding the face in place while the screws are tightened.



Optional Facing (and/or hearth) --
See the installation manual for details.

Plated Surfaces

Use denatured alcohol and a soft cloth to clean plated surfaces. Marks left on the surface may damage the face.





Hearthview (864) Wilmington Face

Pewter 99300495

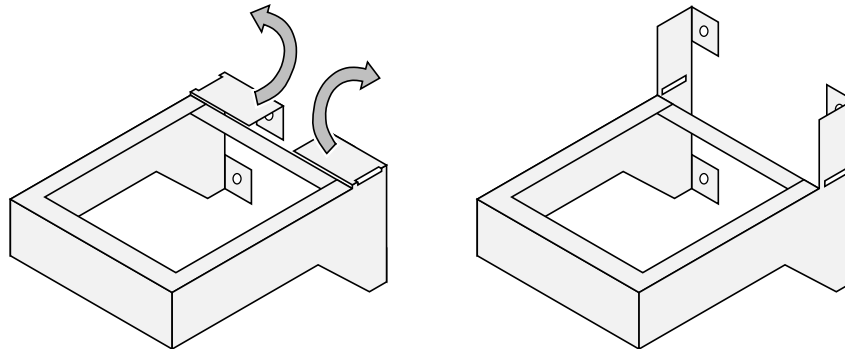
Black 99300496

Aromatherapy Option - Modification Details

The instructions below details preparation of the aromatherapy tray and the installation of the extension. Refer to the aromatherapy kit for details on use of this kit.

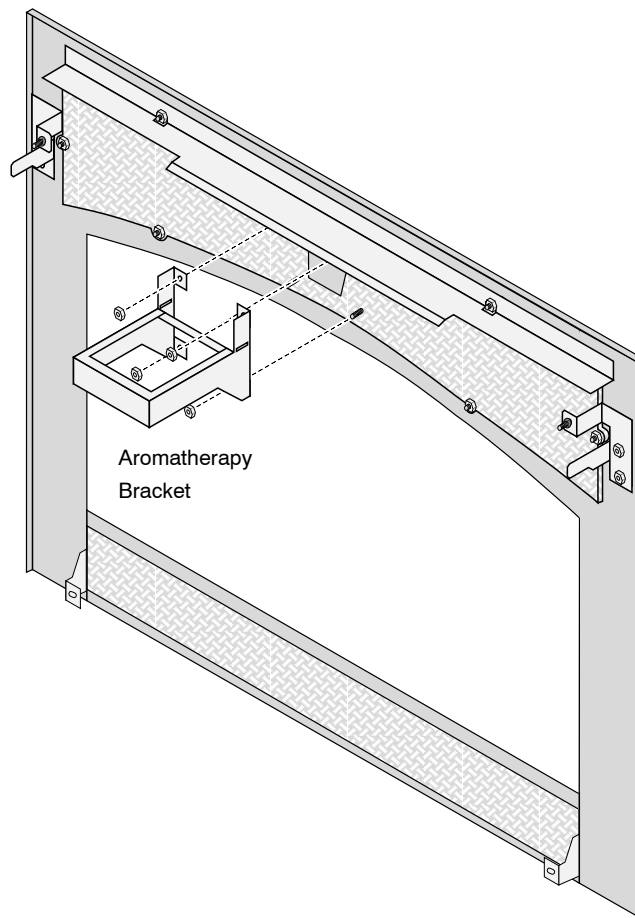
- 1 Prepare the aromatherapy bracket following the directions below.

Bend these clips on the aromatherapy bracket up.



- 2 Attach the aromatherapy bracket to the back of the face following the directions below.

Attach the aromatherapy bracket to the face with the included nuts.



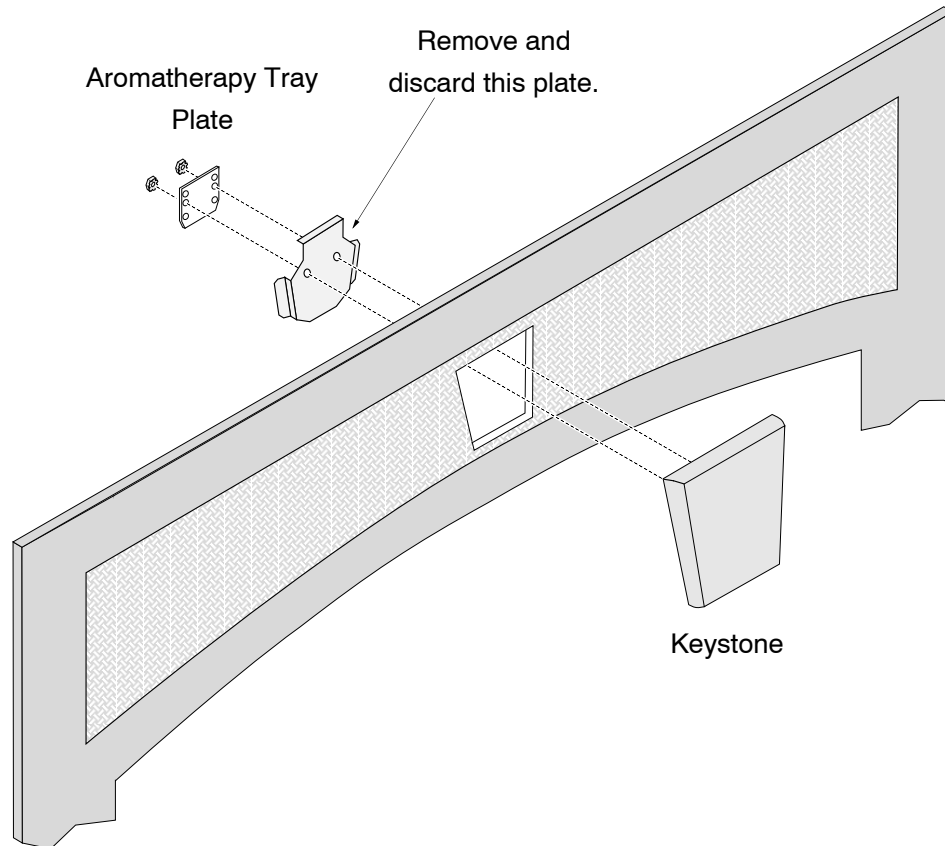


Hearthview (864) Wilmington Face

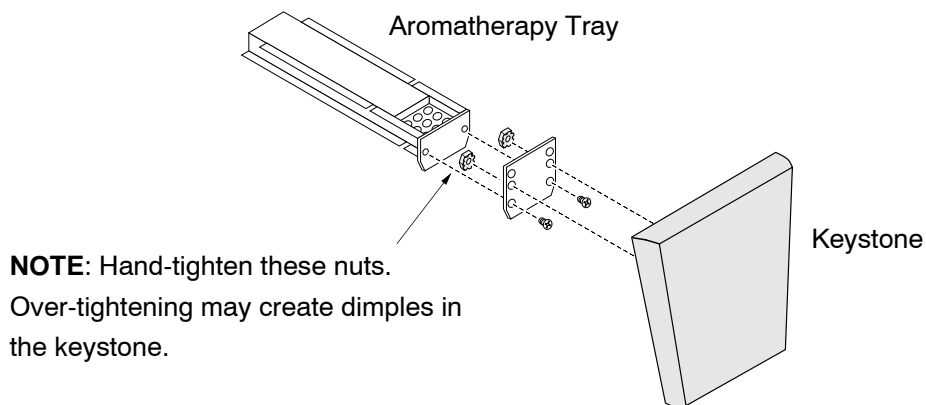
Pewter 99300495

Black 99300496

- 3 Remove the keystone and discard the retainer plate following the directions below.



- 4 Attach the aromatherapy tray to the keystone following the directions below.



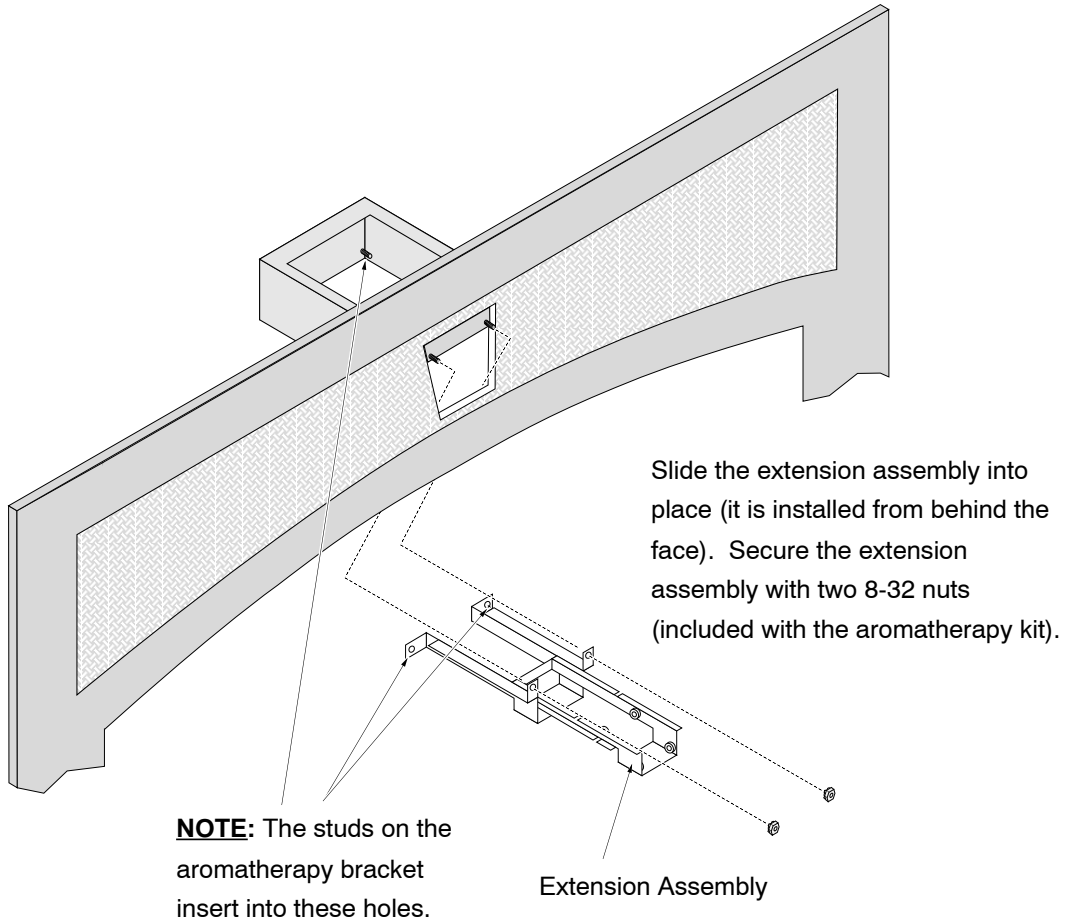


Hearthview (864) Wilmington Face

Pewter 99300495

Black 99300496

- 5 Attach the extension assembly following the directions below.



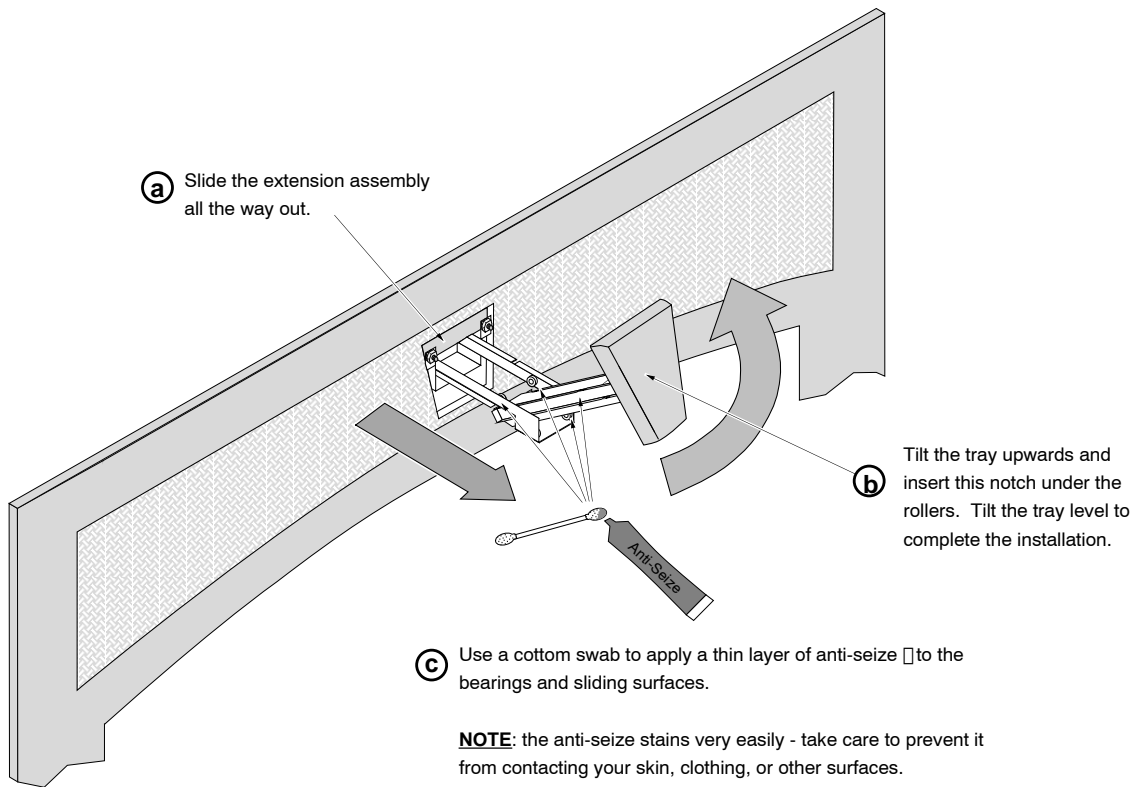


Hearthview (864) Wilmington Face

Pewter 99300495

Black 99300496

- 6 Slide the tray into the extension assembly following the directions below.



INSTALLATION NOTE:

The aromatherapy bracket comes in close proximity to the upper center glass latch. When installing the face, position the bracket above the glass latch.