



Bostonian (564) Wilmington Face

Black 95400186

Nickel 95400187

Compatibility:

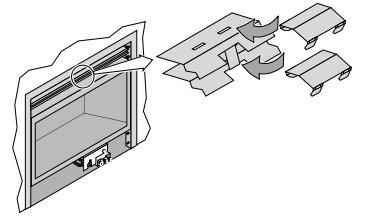
- 564 SS Fireplace
- 564 Electric Fireplace

Packing List:

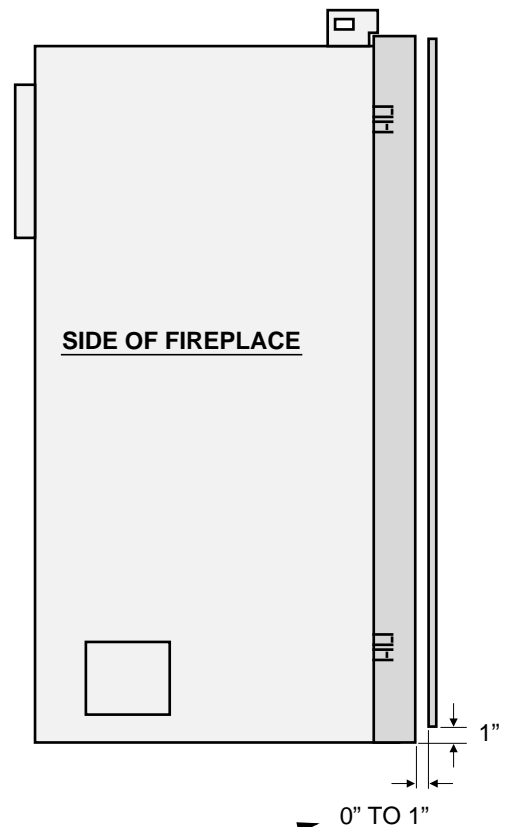
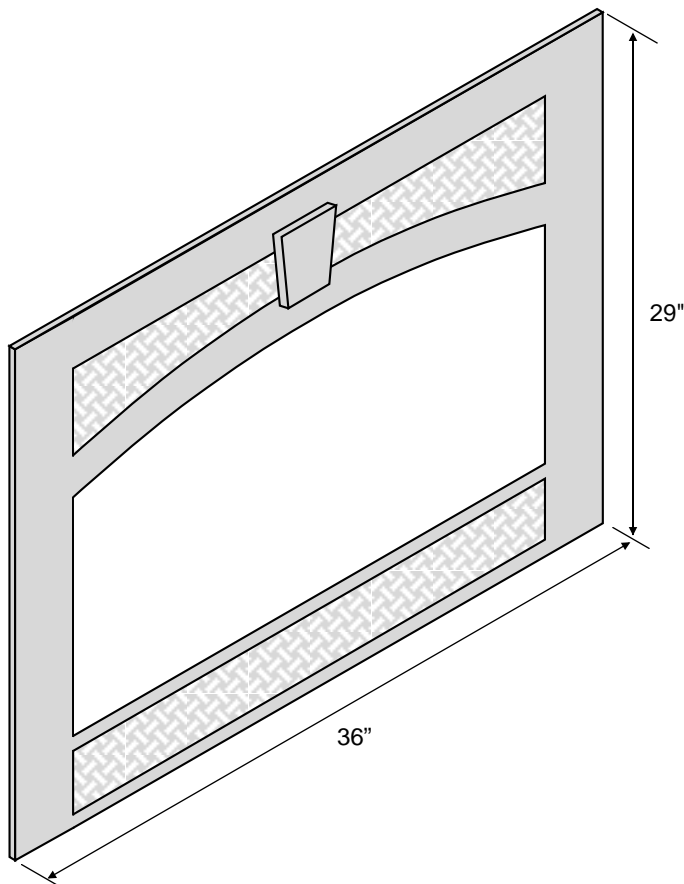
- Face
- 564 SS Glass Frame Cover
- 564 E Side and Hinge Brackets
- (2) 564 SS Top Brackets (w screws)
- (2) 564 SS Upper Mounting Brackets
- 564 E Upper Heat Shield
- (2) 564 SS Lower Mounting Brackets
- 564 E Cove Cover
- (2) 10-24 1-1/2" Screws (564 SS only)
- (14) 8-32 Nuts



The center deflectors must be in place when using this face to prevent the facing above the fireplace from becoming too hot. If this face is replacing a Lopi Grill (96200801), make sure to replace the center deflectors.



Installation Details – 564 SS



NOTE:

This face has an adjustable bracket that allows for different facing depths to be tucked under the face.



Bostonian (564) Wilmington Face

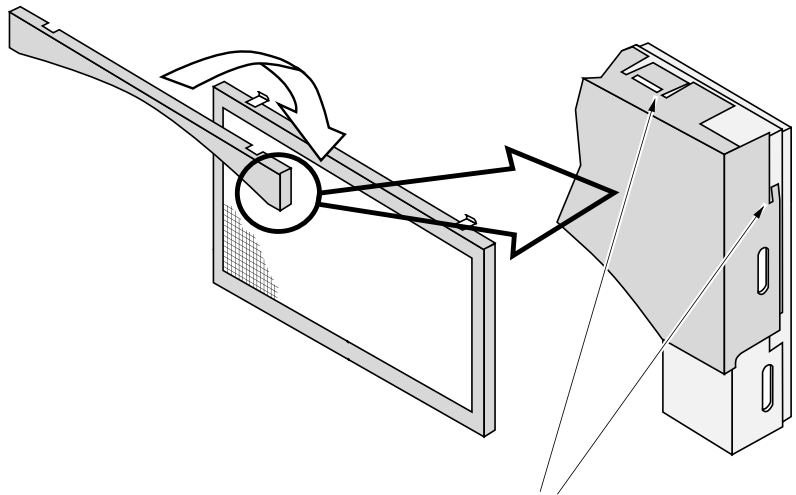
Black 95400186

Nickel 95400187

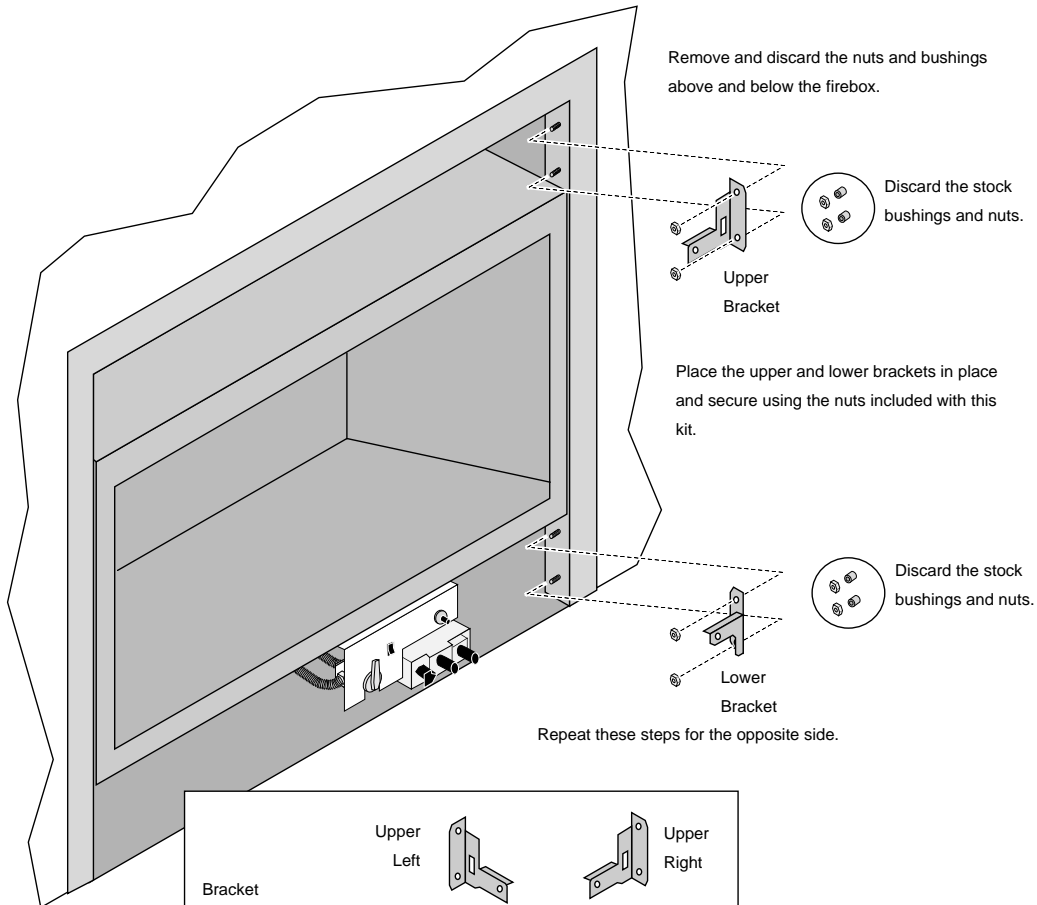
Installation – 564 SS

- 1 Remove the glass frame (see the owner's manual for details). Install glass frame cover as shown to the right.
- 2 Install face mounting brackets to the fireplace.

Place the cover over the top of the door frame.



Push these tabs inwards to lock the cover in place.



Remove and discard the nuts and bushings above and below the firebox.

Discard the stock bushings and nuts.

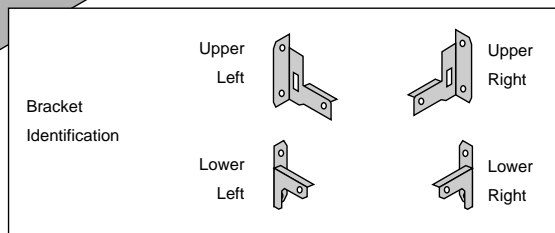
Upper Bracket

Place the upper and lower brackets in place and secure using the nuts included with this kit.

Discard the stock bushings and nuts.

Lower Bracket

Repeat these steps for the opposite side.





Bostonian (564) Wilmington Face

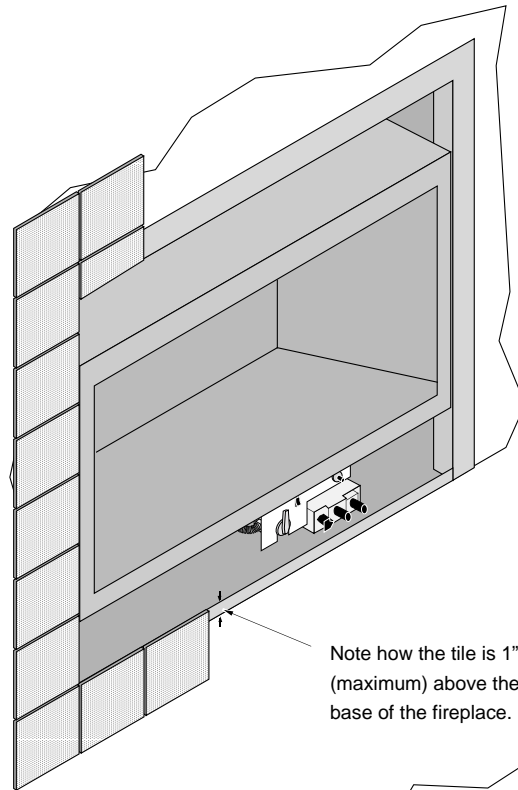
Black 95400186

Nickel 95400187

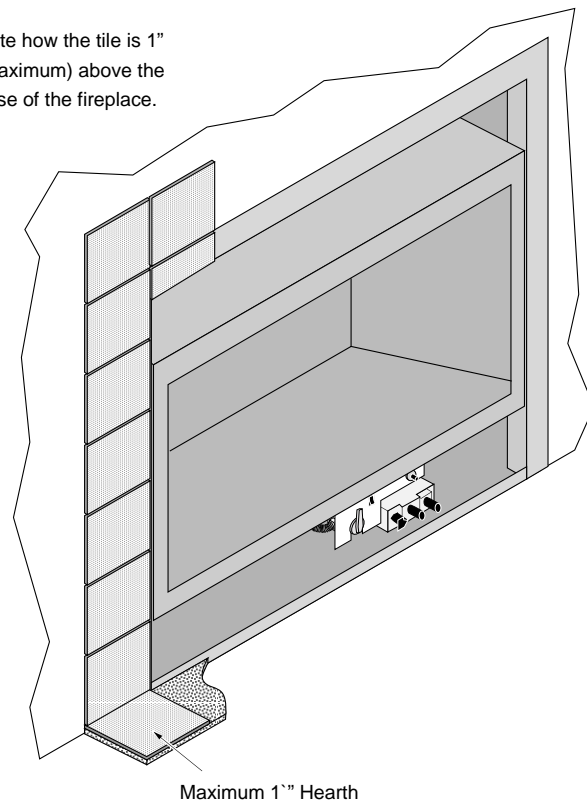
Installation – 564 SS (continued)

- 3 The facing and hearth (if applicable) must be installed prior to attaching the face. See the installation manual for complete details.

Raised
Fireplaces



Floor-Level
Fireplaces





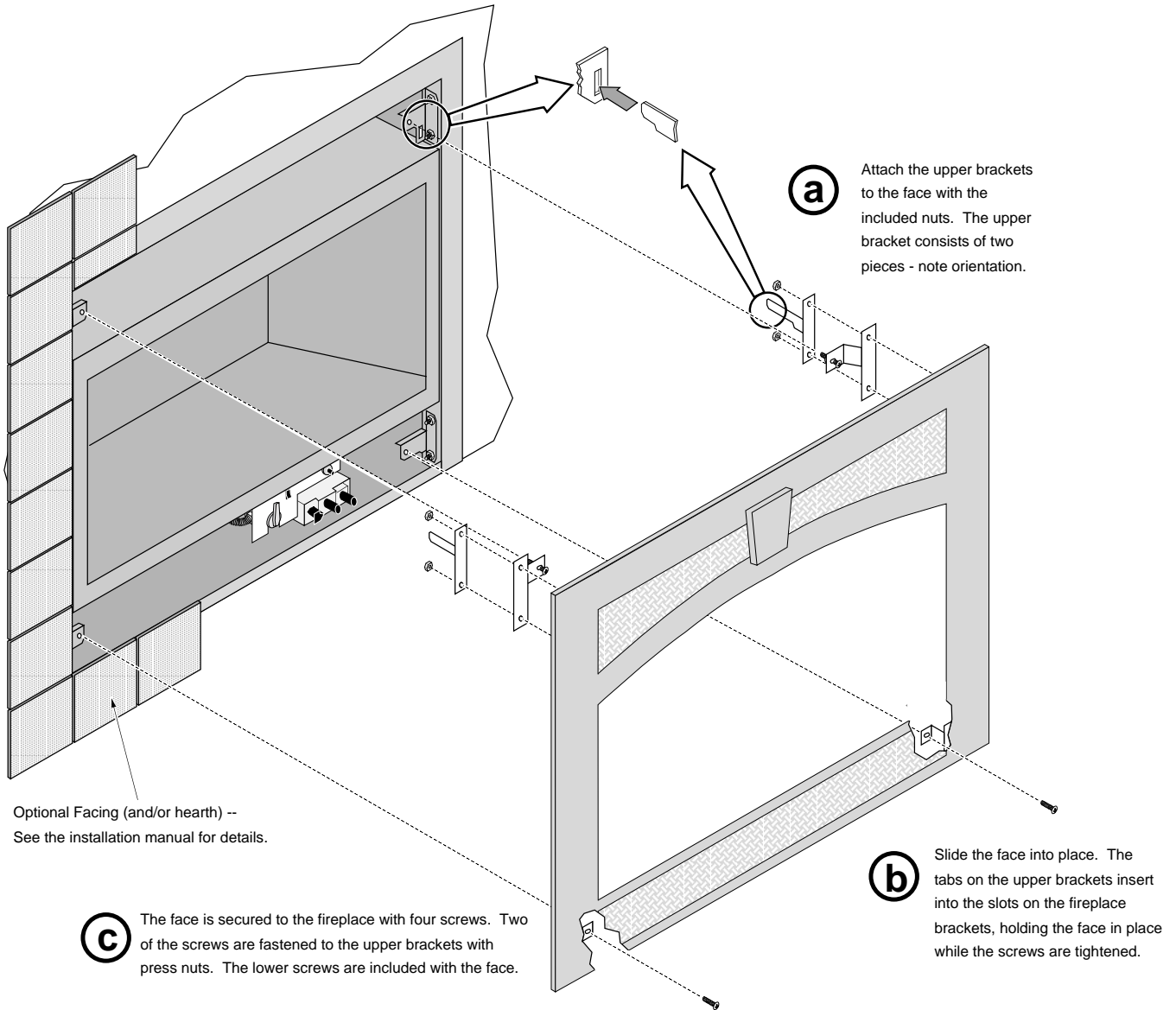
Bostonian (564) Wilmington Face

Black 95400186

Nickel 95400187

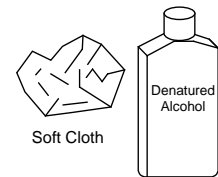
Installation – 564 SS (continued)

4 Install the face following the directions below.



Plated Surfaces

Use denatured alcohol and a soft cloth to clean plated surfaces. Marks left on the surface may damage the face.





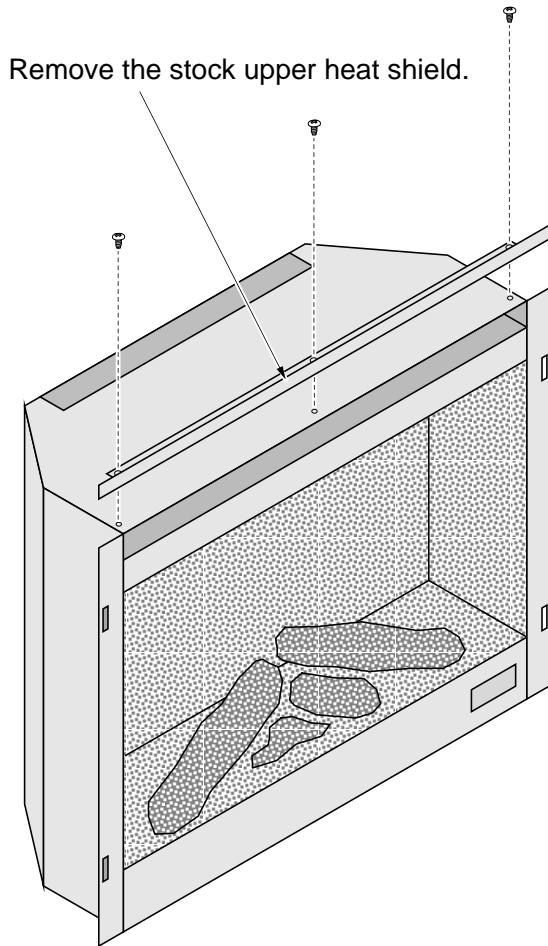
Bostonian (564) Wilmington Face

Black 95400186

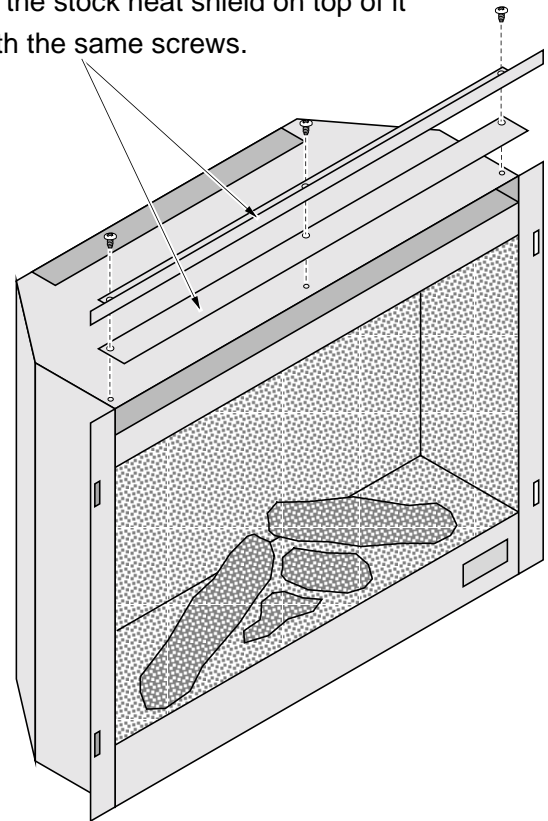
Nickel 95400187

Installation – 564 Electric

- 1 Install the upper heat shield onto the 564 E fireplace.



Place the upper heat shield included with this kit on top of the fireplace (note position of heat shield). Place the stock heat shield on top of it and secure with the same screws.



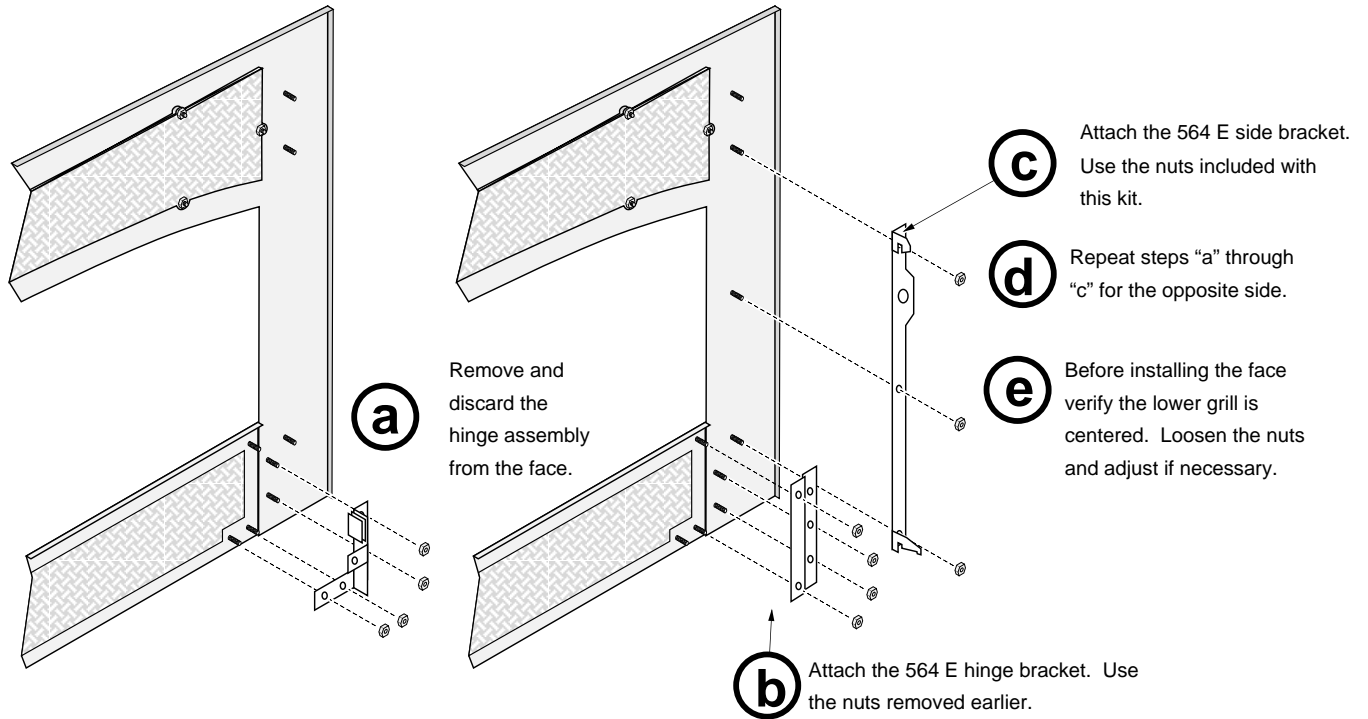


Bostonian (564) Wilmington Face

Black 95400186

Nickel 95400187

- 2 Place the face, face down, on a soft, non-scratching surface. Install the 564 Electric mounting brackets onto the back of the face.



- 3 Pull the electric fireplace out of the mantel (or built-in location). Attach the cove cover and face following the directions below. Slide the fireplace back into place to complete the installation.

Hang the 564 E cove cover over the glass - this keeps light from exiting the grill opening along the top of the face.

