



READ ALL INSTRUCTIONS AND GAS FIRE INSERT USER MANUAL PRIOR TO ASSEMBLY.

If considering placement on wood or composite deck, confirm weight restrictions. Ensure area is clean and level. Know your city regulations.

PROJECT INSTRUCTIONS

MATERIALS LIST

- Purchase from another supplier gas fire insert, control panel unit (H), and vent panel unit (I). Other materials may be needed for natural gas connection.
- Tabletop
- The following Brisa® freestanding wall system units:

6" x 16" Large (A & I)	6
6" x 10" Medium (B & H)	6
Corner/column (J)	12
Accent paver (M)	14

INSTALLATION TOOLS LIST

- Exterior-grade concrete adhesive such as PL Premium®, SRW landscape block adhesive or similar product
- Caulk gun
- Tape measure
- Composite shims

NOTE: Apply dots of glue, 1/2 inch in diameter, roughly every 3 inches apart before applying next layer. Repeat between all layers.

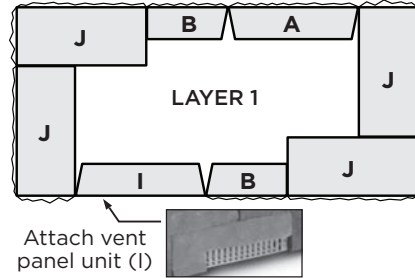
Example

ASSEMBLY INSTRUCTIONS

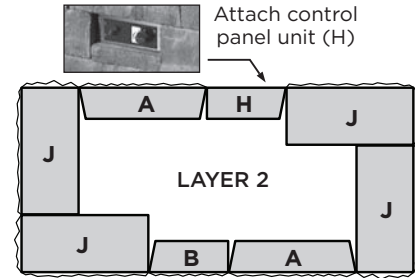
Texture on each units faces out. Assemble layers in the following order:

Layer 1. Starting with (J) units begin at corner. Continue to place units end-to-end as shown. See cutting instruction for the vent panel unit (I),

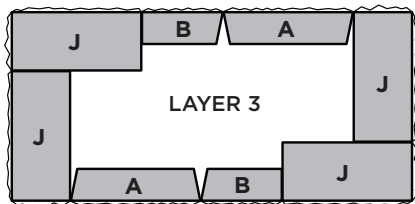
note position. Place vent panel with vent facing down.



Layer 2. Starting with (J) units begin at corner. Continue to place units end-to-end as shown, ending with corner units. See cutting instruction for the control panel unit (H), note position.

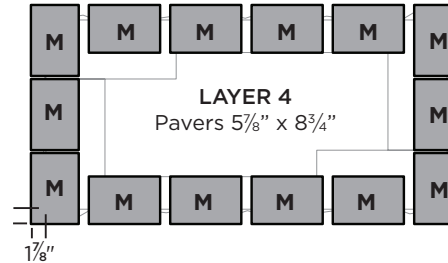


Layer 3. Starting with (J) units begin at corner. Continue to place units end-to-end as shown.



Connect fuel source – Refer to fire box user manual. Note additional tools and supplies may be required.

Layer 4. Place (M) accent band units in place. Note each unit direction and spacing (approximately 1/4 inch between each piece on the long sides) required for additional venting.

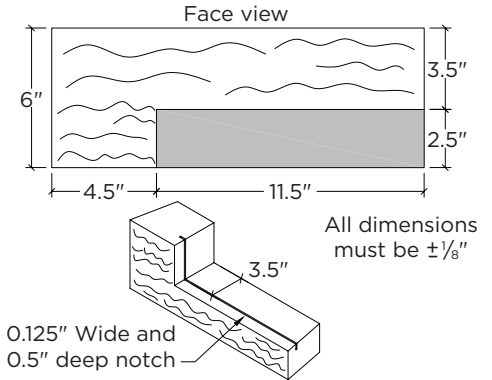


Layer 5. Place tabletop on center of base. Additional adhesive for minor adjustments or a composite shim are recommended to ensure the top is level. Use a generous bead of adhesive that will make consistent contact with both the top and the pavers. Be careful to not use too much adhesive and immediately clean off excess.

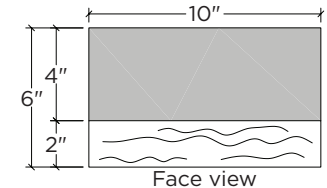
Install tray/burner, connect wires to igniter switch and add glass beads per supplier directions of gas insert manufacturer.

CUTTING INSTRUCTION

- **Vent panel unit (I).** Cut a 2.5" x 11.5" section in a from a 6" x 16" large unit. Cut a 0.125" wide by 0.5" deep notch as shown.



- **Control panel unit (H).** Cut 4" from top of 6" x 10" medium unit.



Control panel side shown
Custom natural stone tabletop shown

Note: Be sure to check city and county codes and home association covenants prior to installation