



# **OUR TECHNOLOGY YOUR SKILL**



**UROLOGY  
2011**



Our combined competences in medical endoscopy systems provide global solutions. From now on, SOPRO-COMEG forms the ideal leader with second-to-none "know-how": SOPRO in medical video imaging and COMEG in engineering endoscopy and micro lenses. Since many years, the product lines of SOPRO and COMEG have been setting the standards for image management systems with fully proven quality, efficiency, safety and convenience.

Our goal is to provide the safest and most advanced products and technologies that ensure reliable operating procedures and rapid recovery.

Synergy between our R&D Departments will result in products and systems that offer added clinical benefits and meet the requirements of patients, surgeons and the health care system even more effectively.

Engineers, mechanics, sales representatives... all our staff has one thing in common: their enthusiasm for hard work to serve our customers.



SOPRO  
COMEG

<b>1</b>	Company . . . . .	page 5
<b>2</b>	Optics . . . . .	page 11
<b>3</b>	Cystoscopy for adult and adolescent . . . . .	page 21
<b>4</b>	Resectoscopy . . . . .	page 49
<b>5</b>	Accessories for urology . . . . .	page 75
<b>6</b>	Urethrotomy . . . . .	page 85
<b>7</b>	Uretero-Renoscapy . . . . .	page 95
<b>8</b>	Pediatric Urology . . . . .	page 101
<b>9</b>	Lithotripsy . . . . .	page 113
<b>10</b>	Nephroscopy . . . . .	page 117
<b>11</b>	Sterilization and maintenance . . . . .	page 123

Company

Optics

Cystoscopy

Resectoscopy

Accessories  
for urology

Urethrotomy

Uretero-  
Renoscapy

Pediatric  
Urology

Lithotripsy

Nephroscopy

Sterilization and  
maintenance

French manufacturing plant

**La Ciotat - FRANCE**

Surface : 3 200 m<sup>2</sup>



German manufacturing plant

**Tuttlingen - GERMANY**

Surface : 2 600 m<sup>2</sup>



## **1 • COMPANY**

Company history . . . . .	p6
Products range at a glance . . . . .	p7
Regulatory . . . . .	p8
Research & Development . . . . .	p9
Service & Assistance . . . . .	p9
Representative offices . . . . .	p9

## Company history



**1977**

SOPRO was founded.

**1986**

Introduction of microcameras for endoscopy.

**2001**

SOPRO joins the Acteon Group.

**2003**

Sopro moves into a bigger, brand new building in La Ciotat.

**2004**

Acquisition of Geyser and development of a range of insufflators and pumps.



**1975**

COMEG was founded.

**1977**

Introduction of medical endoscopes.

**1993**

Introduction of autoclavable endoscopes.

**1994**

Introduction of the urology product line.

**2001**

New optical generation of medical endoscopes.



**2006**

COMEG joins SOPRO

**2007**

The plant's surface extends to 3200 m<sup>2</sup> in La Ciotat  
Introduction of a Spine surgery product line

**2009**

Introduction of the Digilap Titanium, autoclavable videolaparoscope  
Introduction of the SOPRO 397 3CCD Full HD camera  
Introduction of UBICAM, USB consulting room camera and medical software  
Introduction of a range of bipolar forceps & scissors

**2010**

Introduction of the Full HD laparoscope  
Introduction of HEOS, the hysteroscopic endo operative system  
Introduction of UBILED, a new LED light source  
Introduction of UBIPACK, the complete solution for gynecology and ENT

**Products range at a glance**

**SOPRO-COMEG offers a complete range ranking from capital equipment to re-usable, high quality, durable instruments. Whatever your applications is: Urology, Laparoscopy, Arthroscopy, Gynecology, Spine, ENT, SOPRO-COMEG will offer you the best solution and fulfil your needs.**

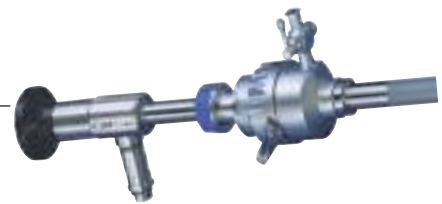


**Capital equipment**

SOPRO-COMEG meets the needs of the surgeons and distributors by supplying the complete OR trolley. Our range includes video cameras ranking from 1 CCD to 3CCD Full HD, halogen, xenon and LED light sources, insufflators, pump, shaver, medical grade monitor and archiving systems. These products already met a large worldwide success with the unmatched image quality they offer.

**Laparoscopy**

SOPRO-COMEG proposes a complete range of instruments for entry into the peritoneum, the first and most crucial step in successful laparoscopic surgery. A complete range of hand instruments in both monopolar and bipolar electrocautery versions is also available. The full HD 10mm laparoscope will provide you the quality you need for High Definition picture.



**Urology**



SOPRO-COMEG, a company with over 25 years experience in the urology field, offers endoscopes with exceptional optical quality and a complement of instruments which will ease even the most demanding urological procedures including: cystoscopy, resectoscopy and urethrotomy. These products are an integral part of recent technological advancements which improve the diagnosis-treatment process and the level of care that urologists can now offer to their patients.

**Gynecology**

Gynecology, hysteroscopy, resectoscopy and other procedures are made easier with the SOPRO-COMEG products. Clarity and efficiency are the key words of our gynecology range.



**Arthroscopy**



Sharp images, precision in visualization are possible through the use of our range for arthroscopy from 4.0mm telescopes to the small-joint arthroscopic lines.

**Spine**

Our spinal endoscopy system allows to treat disc-diseases. All types of hernias can be removed in a minimal invasive interlamiar approach, by means of the endoscopic technique. The technique also qualifies for the effective treatment of chronic back-ailments caused by disc-prolaps or tears. Furthermore, endoscopic treatment of spinal stenosis has increased.



**ENT**



Our field of activities also includes all areas of the ENT disciplines, whether it is diagnostics or therapy, practice or clinic. We propose rigid endoscopes and accessories necessary for sinuscopy, otoscopy and laryngoscopy. All our instruments are manufactured with the highest quality materials.

## Regulatory

**Our business practices and processes are designed to achieve quality results that exceed the expectations of patients, customers, surgeons. We are dedicated to the delivery of quality healthcare products around the world.**

From the start of development of a new device through manufacturing to the final quality control check before delivery, Quality is built in to all our products, as is our commitment and dedication to our customers throughout the world.

Both plants are certified to the highest international quality standard, ISO 13485 for Design, Manufacturing and Sales. Our products comply with the various regulations established across the world, specifically those required by the Food and Drugs Administration and the European Union.

### SOPRO-COMEG manufactures equipments and endoscopes in accordance with the following directives or standards:

- Medical device directive 93/42 EEC (M5 2007/47 EEC)
- DIN EN ISO 13485 : 2003 AC:2007 certified : Quality management system
- EN ISO 13485: 2003 AC:2007 certified Quality management system
- EN ISO 13485: 2003 AC:2007 certified Quality management system (issued according to CMDCAS program requirements)
- Series of standards IEC 60601
- Series of standards ISO 8600
- FDA regulations\* (FDA Quality system Regulation 21 CFR Part 820).
- EC Attestations issued for all our class II devices (insufflators, irrigation pump, insufflation tubing sets, irrigation tubing sets).

### Products certifications:

Following products have the c CSA us mark:

- Camera SOPRO 167 (DV)
- Camera SOPRO 168
- Camera SOPRO 367
- Camera SOPRO 368 HD
- Camera SOPRO 162
- Camera SOPRO 184 (SDI)
- Insufflators range SOPRO 640 (20l, 30l and 45l)
- Irrigation pump SOPRO 670

*\*the newest ones may be 510(k) pending.*





## Research & Development

Innovation being the key to improve health, Sopro-Comeg invests a significant part of its revenue in R&D and patents filing. Our key know-how is Medical imaging with a combination of young & experimented engineers focused on Electronics, Software, Optics and Mechanics.

Also, we in SOPRO-COMEG, have access to the very wide R&D department and connections of our mother company, Acteon group, adding to the previous know how : ultrasounds, chemical, motors, X-Ray and Cone Beam Computer Tomography systems (CBCT).

This very rare combination of know how allows us to join the extremely limited group of the companies mastering the design & the manufacturing of the complete endoscopy solution.

## Service & Assistance

**In both our main plants (La Ciotat and Tuttlingen), our on-site specialists are dedicated to servicing and providing expertises to your Sopro-Comeg products:**

- Express repair of all our products under warranty
- Free quotation for all repairs out of warranty
- Qualified repair with original spare parts
- Streamline endoscope exchange program (see page 13)
- Technical training

### • SOPRO-COMEG

(Equipment)

ZAC Athelia 4

Avenue des Génévriers

13705 La Ciotat cedex

France

Tel +33(0)442 98 01 01

### • SOPRO-COMEG GmbH

(Endoscopes and accessories)

Serviceabteilung

Dornierstrasse 55

78532 Tuttlingen

Germany

Tel +49 (0) 7461-93440

## Representative offices

**Our local staff will support you, wherever you are in the world.**

### • SOPRO-COMEG China & Corea

Office 401

No.12 Xinyuanxili Zhong Street,

Chaoyang District, Beijing 100027

P.R China

Tel +86 10 646 57011/2/3

info.cn@sopro-comeg.com

### • SOPRO-COMEG USA

124 Gaither Drive, Suite 140

Mount Laurel, NJ 08054

USA

Tel +1 856 222 9988

info.us@sopro-comeg.com

### • SOPRO-COMEG Taiwan

14F-1, N°433, Jingping Rd.

Jhonghe City - Taipei County 235

Taiwan (R.O.C.)

Tel +866 926 704 505

tina.chu@tw.acteongroup.com

### • SOPRO-COMEG Middle East

Numan center 1st Floor N°111

Gardens street

PO box 468 - 11953 Amman

Jordan

Tel +962 6 553 4401

info.me@sopro-comeg.com

### • SOPRO-COMEG Russia

Valdayskiy Proezd 16

Office 243

125445 Moscow

Russia

Tel + 7 499 76 71 316

info.ru@sopro-comeg.com

### • SOPRO-COMEG Thailand

23/45 Sorachai Building 16th floor

Sukumvit 63 Road, Klongton Nua

Wattana, Bangkok 10110

Thailand

Tel +66 2 714 3295

info@th.acteongroup.com

The logo consists of two curved, swoosh-like shapes. The top swoosh is light green and curves from the right side towards the center. The bottom swoosh is light blue and curves from the left side towards the center. The text 'SOPRO' and 'COMEG' is centered between these two swooshes.

**SOPRO**  
**COMEG**



## 2 • OPTICS

SOPRO-COMEG optics .....	p12
Streamline Exchange Program .....	p13
General information .....	p14
Telescopes .....	p15
Uretero-Renoscope, Ureteroscope .....	p17
Nephroscopes .....	p18

## SOPRO-COMEG Optics



**With more than 30 years as well known manufacturer, SOPRO-COMEG develops its own endoscopes in Tuttlingen (Germany) with the best and latest technology know-how.**

• **Stainless steel tubes:**

Choice of stainless steel tubes is done to ensure optimal quality and solidity by using European quality stainless steels. Our mechanical manufacturing department is making all cutting, polishing, finishing steps to provide you the optimal devices quality and to offer better resistance to disinfection chemical agent.

• **Rod lenses, objective and ocular:**

Since several years, SOPRO-COMEG research and development department does optical calculation to optimized parameters of brightness, contrast and resolution according to the intended use of the endoscope.

Sizes, designs, optical coatings, raw materials, all are precisely chosen by our engineers to achieve the quality you need.

By using the well know **rod lenses** design and added **multi coating** on each interfaces, the SOPRO-COMEG endoscope offers you the best of the know-how in medical endoscope manufacturers.

During assembly process, the complete optical system is optimized with ocular and objective to achieve the requirements of quality.

Our SOPRO-COMEG Full HD laparoscope is able to provide a constant **high resolution** picture full screen in order to complete your Full HD video chain.



• **Light fibers** are selected and calculated to provide maximum light in the operating field. Our internal manufacturing process permits to position the fibers in order to illuminate in the same direction as the direction of view of your endoscope. Endoscope light fibers can easily be connected to many of existing light cable and all our endoscope are delivered with light cable adapters (Karl Storz, Olympus, Richard Wolf, ACMI).

• **Cleaning, disinfection, sterilization and reliability** are ones of the most important requirements of today endoscopes.

Thanks to our **laser welding** technology and our validated manufacturing processes, SOPRO-COMEG offers a constant assembly quality. The use of distal and proximal **sapphire window** avoids many scratches on the optical system and the tightness of the optical system is done with patented process using valuable raw materials. With this high technology, SOPRO-COMEG endoscopes are warranty autoclavable up to 134°C during 20 minutes, double fore-vacuum.

Cleaning disinfection and sterilization processes are validated by external laboratory to ensure the respect of quality requirements.

Our SOPRO-COMEG endoscopes can be clean manually or with automatic machines as defined in our user manual. SOPRO-COMEG endoscopes are compatible with the following sterilization methods:

- Steris TM
- Sterrad
- Vapor sterilization
- EtO
- Cidex
- Henkel-Ecolab Sekumatic FRE

## Streamline Exchange Program

Efficiency and reactivity are the main goals of our service department.

The **Streamline endoscope exchange program** is the perfect example of these commitments.

Streamline exchange program allows you to exchange your defective autoclavable optics from any brands for a newly manufactured Sopr-Comeg optic.

All Streamline endoscopes are manufactured in our plant in Tuttingen, Germany, with original parts to fulfill all specifications, standards and regulatory compliance ISO 13485 as the other Sopr-Comeg optics. All individual parts are carefully checked by our incoming inspection department before assembly to achieve the quality you need.

**48h:** it's the time we need to send you your Streamline endoscope after receipt of your order.

**Whatever is the autoclavable optics you send to us we provide your needs.**

As example, you can send us a broken autoclavable sinuscope from other brand and asking for a Sopr-Comeg Full HD Streamline 10mm laparoscope.

Nevertheless, the Sopr-Comeg optics technology permits to proceed, most of the time, to a repair. After expertise of your medical device, our technician will sent you a repair offer according to the repair flat rate.

If the device cannot be repair we will send you an offer for a Streamline product or, if the optics is not eligible to this Streamline exchange program, a very attractive pricing for new endoscope.



Cystoscopy



Gynecology

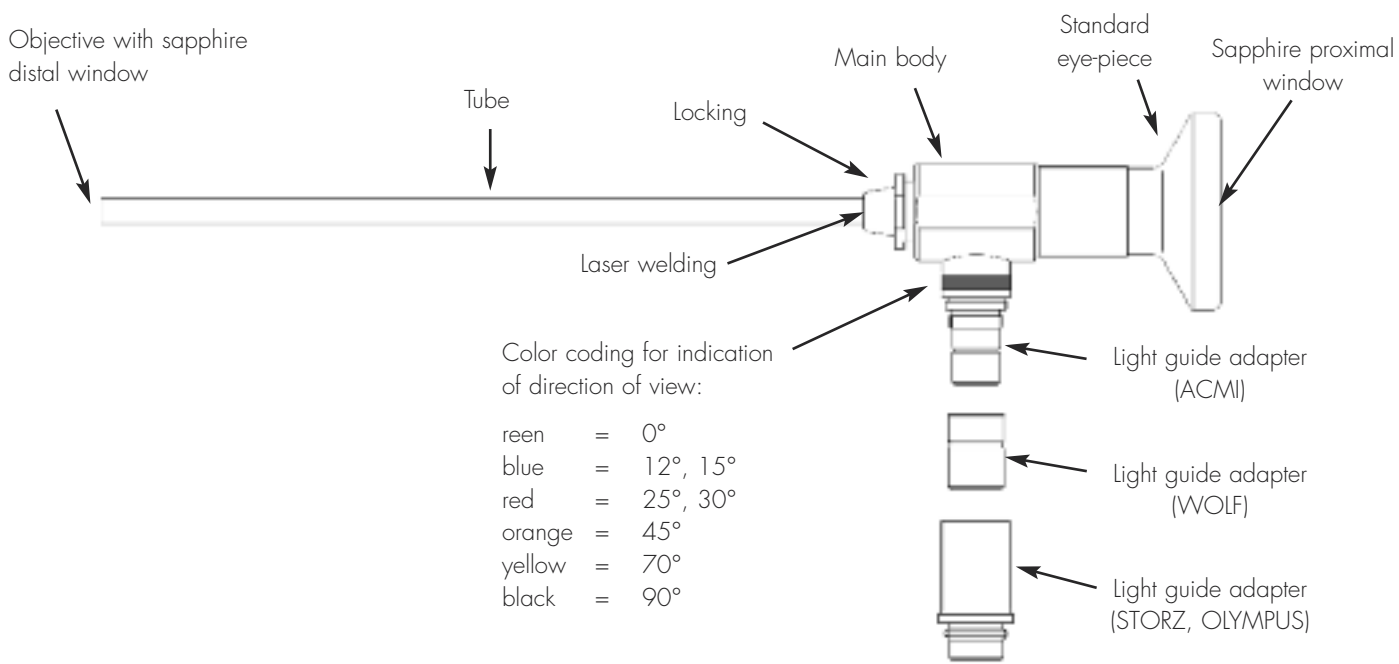


Sinuscopy



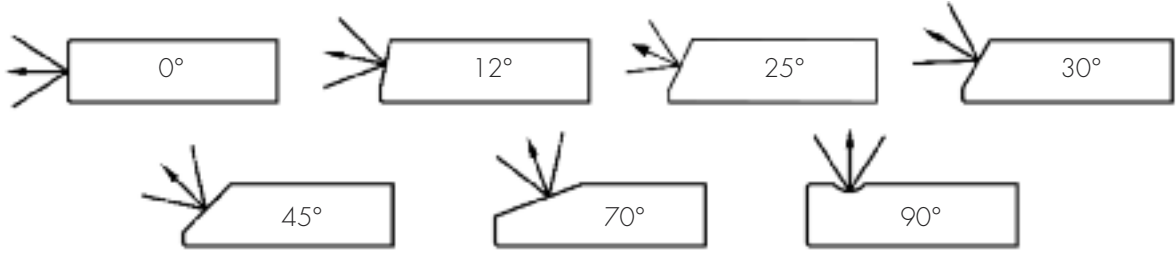
Laparoscopy

## General information



### Direction of view

Direction of view is defined by the angle between the deviation of the middle beam and the axis of the optical system.



### Field of view

Field of view is defined by the angle between the most left and right peripheral beam of the image. It is important for the distinction of wide-angle and standard-angle telescopes.



### “WIDE ANGLE” (WA)

“Wide angle” telescopes provide a bigger field of view.

Telescopes

Company

Optics

Cystoscopy

Resectoscopy

Accessories for urology

Urethrotomy

Uretero-Rescopy

Pediatric Urology

Lithotripsy

Nephroscopy

Sterilization and maintenance

Art.-No.  
165 211 870



**Infant straight forward telescope 0°**

enlarged view  
 Ø 1.9/ 2.1 mm  
 length 186 mm  
 with rod lenses optical system  
 autoclavable  
 with fiber optic light transmission incorporated for use with "Working element Art.-No. 196 810 000"  
 Color code: ■

Art.-No.  
165 271 870



**Miniature straight forward telescope 0°**

enlarged view  
 Ø 2,7mm  
 length 186mm  
 with rod lenses optical system  
 autoclavable  
 with fiber optic light transmission incorporated  
 Color code: ■

Art.-No.  
165 271 872



**Miniature forward oblique telescope 30°**

enlarged view  
 Ø 2,7mm  
 length 187mm  
 with rod lenses optical system  
 autoclavable  
 with fiber optic light transmission incorporated  
 Color code: ■

Art.-No.  
165 271 875



**Miniature lateral telescope 70°**

enlarged view  
 Ø 2,7mm  
 length 188mm  
 with rod lenses optical system  
 autoclavable  
 with fiber optic light transmission incorporated  
 Color code: ■

Art.-No.  
165 293 000

**PAGANO straight forward telescope 0°**

enlarged view  
 Ø 2,9mm  
 length 301mm  
 with rod lenses optical system  
 autoclavable  
 with fiber optic light transmission incorporated  
 Color code: ■

Art.-No.  
165 293 002

**PAGANO forward oblique telescope 30°**

enlarged view  
 Ø 2,9mm  
 length 301mm  
 with rod lenses optical system  
 autoclavable  
 with fiber optic light transmission incorporated  
 Color code: ■



## Telescopes



Art.-No.  
**165 303 001**

### Telescope 12°

enlarged view  
Ø 3mm  
length 301mm  
with rod lenses optical system  
autoclavable  
with fiber optic light transmission incorporated  
Color code: ■



Art.-No.  
**165 303 002**

### Forward oblique telescope 30°

enlarged view  
Ø 3mm  
length 301mm  
with rod lenses optical system  
autoclavable  
with fiber optic light transmission incorporated  
Color code: ■



Art.-No.  
**165 403 000**

### Straight forward telescope 0°

enlarged view  
Ø 4mm  
length 301mm  
with rod lenses optical system  
autoclavable  
with fiber optic light transmission incorporated  
Color code: ■



Art.-No.  
**165 403 002**

### Forward oblique telescope 30°

enlarged view  
Ø 4mm  
length 301mm  
with rod lenses optical system  
autoclavable  
with fiber optic light transmission incorporated  
Color code: ■



Art.-No.  
**165 403 001**

### Straight forward telescope 12°

enlarged view  
Ø 4mm  
length 301mm  
with rod lenses optical system  
autoclavable  
with fiber optic light transmission incorporated  
Color code: ■



Art.-No.  
**165 403 005**

### Lateral telescope 70°

Ø 4mm  
length 303mm  
with rod lenses optical system  
autoclavable  
with fiber optic light transmission incorporated  
Color code: ■



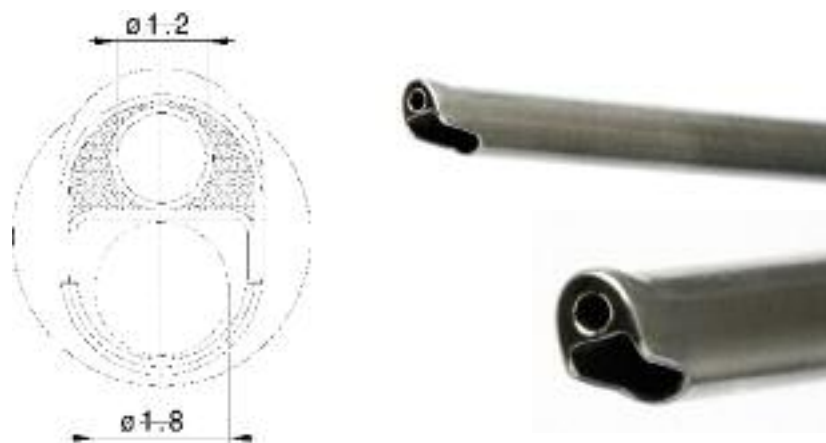


## Uretero-Renoscope, Ureterscope

The Sopr-Comeg autoclavable Uretero-Renoscopes are using the best fiber optics technology to provide an excellent resolution. The atraumatic transition from the small to big diameter at the distal end permits a gentle insertion into ostium uteris. In addition with the stopcock input unit 477 000 385 (see page 97), the Sopr-Comeg Uretero-Renoscope is the instrument needed to perform uretero-renaloscopy in good conditions.

### Features and specifications:

- round shaped distal tip for atraumatic ostium insertion
- distal tip 8,5Fr.
- instrument sheath 11Fr.
- 4 Fr separate irrigation channel
- 6 Fr central instrument channel for use with flexible or rigid instruments up to 5Fr.
- Sopr-Comeg fiber optic technology
- direction of view 0°
- working length 425mm
- rigid angled eyepiece to ensure ergonomics when using instruments or lithotripsy probes.



Art.-No.

**185 900 100**

### Uretero-renaloscope

autoclavable  
30.000 pixels resolution  
without stopcock input unit  
Color code: ■

Art.-No.

**185 900 000**

### Uretero-renaloscope

autoclavable  
50.000 pixels resolution  
without stopcock input unit  
Color code: ■

## Nephroscopes



Art.-No.  
**165 800 000**

### Straight forward nephroscope 0°, with parallel eyepiece

8,3mm x 6mm outer size, length 222mm  
with rod lenses optical system  
autoclavable, with fiber optic light transmission incorporated  
with 13Fr. working channel  
with Quick-Lock connection for use with Quick-Lock inflow sheath  
Color code:

Art.-No.  
**165 800 002**

### Oblique forward nephroscope 25°, with parallel eyepiece

8,3mm x 6mm outer size, length 226mm  
with rod lenses optical system  
autoclavable, with fiber optic light transmission incorporated  
with 13Fr. working channel  
with Quick-Lock connection for use with Quick-Lock inflow sheath  
Color code:

Art.-No.  
**165 800 630**

### Straight forward nephroscope 0°, with parallel eyepiece

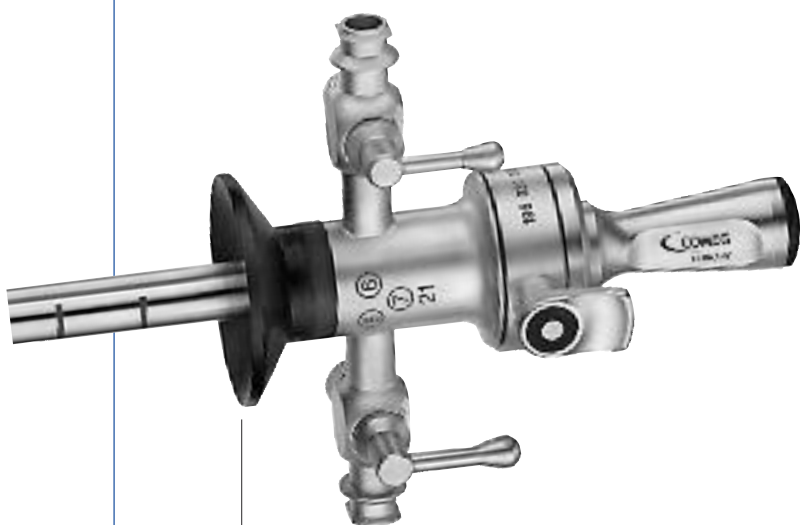
8,3mm x 5,25mm outer size, length 264mm  
with rod lenses optical system  
autoclavable, with fiber optic light transmission incorporated  
with 15Fr. working channel  
with Quick-Lock connection for use with Quick-Lock inflow sheath  
Color code:

The logo features two large, curved swooshes. The top swoosh is light green and curves from the right side towards the center. The bottom swoosh is light blue and curves from the left side towards the center. The text 'SOPRO' is positioned above 'COMEG', both centered between the swooshes.

**SOPRO**  
**COMEG**

The logo features two large, curved swooshes. The top swoosh is light green and curves from the right side towards the center. The bottom swoosh is light blue and curves from the left side towards the center. The text 'SOPRO' and 'COMEG' is centered between these swooshes.

SOPRO  
COMEG



### **3 • CYSTOSCOPY FOR ADULT & ADOLESCENT**

Quick-Lock cystoscopy sheath . . . . .	p23
Quick-Lock standard obturators . . . . .	p24
Quick-Lock visual obturators . . . . .	p25
SC series cystoscopy sheath . . . . .	p26
SC series standard obturators . . . . .	p27
SC series visual obturator . . . . .	p28
Quick-Lock Albarran deflecting mechanism . . . . .	p30
Quick-lock adapter bridges . . . . .	p31
SC Series Albarran deflecting mechanism . . . . .	p32
SC series adapter bridges . . . . .	p33
Optical instrumentation with Quick-Lock connecting system . . . . .	p34
Optical instrumentation with SC series connecting system . . . . .	p36
Compatibility matrix . . . . .	p38
Quick-Lock Continuous flow laser cystoscopy . . . . .	p39
Flexible instrumentation . . . . .	p41
Stone baskets . . . . .	p42
Monopolar High Frequency Electrodes . . . . .	p43
Monopolar High Frequency cable . . . . .	p44
Overviews . . . . .	p45

## Quick-Lock and SC serie

Sopro-Comeg is involved to provide the best medical devices according end user requirements.

Material quality, picture brightness, reliability are some of these needs but our R&D engineers also work to improve the ergonomics of use.

One of the best sample is the Quick-Lock connecting system for sheaths and obturators.

The innovative Sopro-Comeg Quick-Lock connecting system permits to connect and disconnect endoscope and sheath in an easy and quicker gesture.

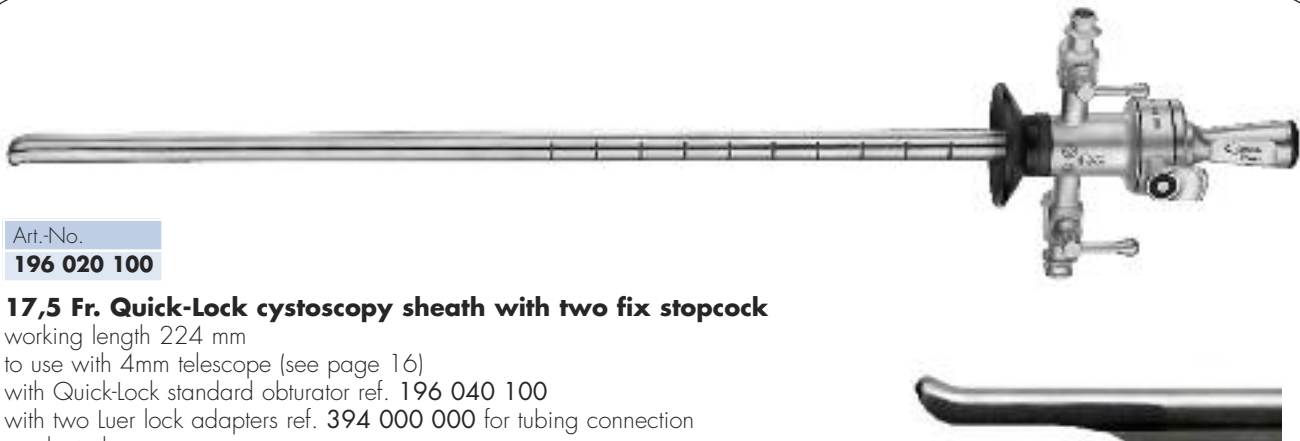
While many company are manufacturing rotating screw connection between sheath and optics which needs time and user focusing, Sopro-Comeg develops an innovative Quick-Lock connecting solution with a simple push. As well, the release of the device together is done simply by a push on the active button.



Physician have also the possibility to use standard connecting system, compatible with other manufacturer's devices, thanks to our Sopro-Comeg SC series.



## Quick-Lock cystoscopy sheath



Art.-No.

**196 020 100**

### 17,5 Fr. Quick-Lock cystoscopy sheath with two fix stopcock

working length 224 mm  
 to use with 4mm telescope (see page 16)  
 with Quick-Lock standard obturator ref. 196 040 100  
 with two Luer lock adapters ref. 394 000 000 for tubing connection  
 graduated  
 Color code: ■

Art.-No.

**196 020 200**

### 19,5 Fr. Quick-Lock cystoscopy sheath with two fix stopcock

working length 224 mm  
 to use with 4mm telescope (see page 16)  
 with Quick-Lock standard obturator ref. 196 040 200  
 with two Luer lock adapters ref. 394 000 000 for tubing connection  
 graduated  
 Color code: ■

Art.-No.

**196 020 300**

### 21 Fr. Quick-Lock cystoscopy sheath with two fix stopcock

working length 224 mm  
 to use with 4mm telescope (see page 16)  
 with Quick-Lock standard obturator ref. 196 040 300  
 with two Luer lock adapters ref. 394 000 000 for tubing connection  
 graduated  
 Color code: ■

Art.-No.

**196 020 400**

### 23 Fr. Quick-Lock cystoscopy sheath with two fix stopcock

working length 224 mm  
 to use with 4mm telescope (see page 16)  
 with Quick-Lock standard obturator ref. 196 040 400  
 with two Luer lock adapters ref. 394 000 000 for tubing connection  
 graduated  
 Color code: ■

Art.-No.

**196 020 500**

### 25 Fr. Quick-Lock cystoscopy sheath with two fix stopcock

working length 224 mm  
 to use with 4mm telescope (see page 16)  
 with Quick-Lock standard obturator ref. 196 040 500  
 with two Luer lock adapters ref. 394 000 000 for tubing connection  
 graduated  
 Color code: □

To be used with cystoscope, Quick-Lock cystoscopy sheath requires a Quick-Lock adapter bridge or has to be used with Quick-Lock Albarran deflector. (see page 30-31)

## Quick-Lock standard obturator



Art.-No.

**196 040 100****Quick-Lock standard obturator**

to use with 17,5 Fr. Quick-Lock cystoscopy sheath ref. 196 020 100

Color code: ■

Art.-No.

**196 040 200****Quick-Lock standard obturator**

to use with 19,5 Fr. Quick-Lock cystoscopy sheath ref. 196 020 200

Color code: ■

Art.-No.

**196 040 300****Quick-Lock standard obturator**

to use with 21 Fr. Quick-Lock cystoscopy sheath ref. 196 020 300

Color code: ■

Art.-No.

**196 040 400****Quick-Lock standard obturator**

to use with 23 Fr. Quick-Lock cystoscopy sheath ref. 196 020 400

Color code: ■

Art.-No.

**196 040 500****Quick-Lock standard obturator**

to use with 25 Fr. Quick-Lock cystoscopy sheath ref. 196 020 500

Color code: □



## Quick-Lock visual obturators

The Quick-Lock visual obturator permits to physician to add the benefit of insertion under direct view to innovative Quick-Lock connecting system.



Art.-No.

**196 070 100**

### Quick-Lock visual obturator

to use with 17,5 Fr.

Quick-Lock cystoscopy sheath ref. 196 020 100

to use with 4mm telescope (see page 16)

Color code: ■

Art.-No.

**196 070 200**

### Quick-Lock visual obturator

to use with 19,5 Fr.

Quick-Lock cystoscopy sheath ref. 196 020 200

to use with 4mm telescope (see page 16)

Color code: ■

Art.-No.

**196 070 300**

### Quick-Lock visual obturator

to use with 21 Fr.

Quick-Lock cystoscopy sheath ref. 196 020 300

to use with 4mm telescope (see page 16)

Color code: ■

Art.-No.

**196 070 400**

### Quick-Lock visual obturator

to use with 23 Fr.

Quick-Lock cystoscopy sheath ref. 196 020 400

to use with 4mm telescope (see page 16)

Color code: ■

Art.-No.

**196 070 500**

### Quick-Lock visual obturator

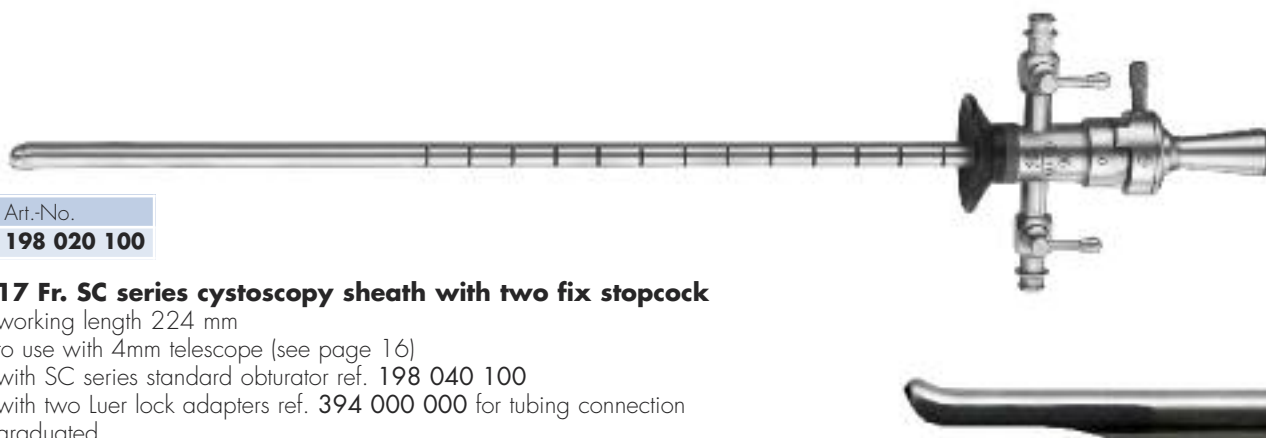
to use with 25 Fr.

Quick-Lock cystoscopy sheath ref. 196 020 500

to use with 4mm telescope (see page 16)

Color code: □

## SC series cystoscopy sheath



Art.-No.

**198 020 100****17 Fr. SC series cystoscopy sheath with two fix stopcock**

working length 224 mm

to use with 4mm telescope (see page 16)

with SC series standard obturator ref. 198 040 100

with two Luer lock adapters ref. 394 000 000 for tubing connection graduated

Color code: ■

Art.-No.

**198 020 200****19 Fr. SC series cystoscopy sheath with two fix stopcock**

working length 224 mm

to use with 4mm telescope (see page 16)

with SC series standard obturator ref. 198 040 200

with two Luer lock adapters ref. 394 000 000 for tubing connection graduated

Color code: ■

Art.-No.

**198 020 300****20 Fr. SC series cystoscopy sheath with two fix stopcock**

working length 224 mm

to use with 4mm telescope (see page 16)

with SC series standard obturator ref. 198 040 300

with two Luer lock adapters ref. 394 000 000 for tubing connection graduated

Color code: ■

Art.-No.

**198 020 400****22 Fr. SC series cystoscopy sheath with two fix stopcock**

working length 224 mm

to use with 4mm telescope (see page 16)

with SC series standard obturator ref. 198 040 400

with two Luer lock adapters ref. 394 000 000 for tubing connection graduated

Color code: ■

Art.-No.

**198 020 500****25 Fr. SC series cystoscopy sheath with two fix stopcock**

working length 224 mm

to use with 4mm telescope (see page 16)

with SC series standard obturator ref. 198 040 500

with two Luer lock adapters ref. 394 000 000 for tubing connection graduated

Color code: □

To be used with cystoscope, SC series cystoscopy sheath requires an SC series adapter bridge or has to be used with SC series Albarran deflector. (see page 32-33)

## SC series standard obturator



Art.-No.

**198 040 100****SC series standard obturator**

to use with 17 Fr. SC series cystoscopy sheath ref. 198 020 100

Color code: ■

Art.-No.

**198 040 200****SC series standard obturator**

to use with 19 Fr. SC series cystoscopy sheath ref. 198 020 200

Color code: ■

Art.-No.

**198 040 300****SC series standard obturator**

to use with 20 Fr. SC series cystoscopy sheath ref. 198 020 300

Color code: ■

Art.-No.

**198 040 400****SC series standard obturator**

to use with 22 Fr. SC series cystoscopy sheath ref. 198 020 400

Color code: ■

Art.-No.

**198 040 500****SC series standard obturator**

to use with 25 Fr. SC series cystoscopy sheath ref. 198 020 500

Color code: □

## SC series visual obturator

The SC series visual obturator permits to physician to do insertion under direct view.



Art.-No.

**198 070 200**

### SC series visual obturator

to use with 19 Fr.

SC series cystoscopy sheath ref. 198 070 200

to use with 4mm telescope (see page 16)

Color code: ■

Art.-No.

**198 070 300**

### SC series visual obturator

to use with 20 Fr.

SC series cystoscopy sheath ref. 198 070 300

to use with 4mm telescope (see page 16)

Color code: ■

Art.-No.

**198 070 400**

### SC series visual obturator

to use with 22 Fr.

SC series cystoscopy sheath ref. 198 070 400

to use with 4mm telescope (see page 16)

Color code: ■

Art.-No.

**198 070 500**

### SC series visual obturator

to use with 25 Fr.

SC series cystoscopy sheath ref. 198 070 500

to use with 4mm telescope (see page 16)

Color code: □

## Chart for instrument channel capacity

### Chart for instrument channel capacity - Quick-Lock connecting system

Cystoscope sheaths	Capacity with albarra deflector		Capacity with adaptor bridge	
	196 010 010	196 010 020	196 050 200	196 050 300
196 020 100 17.5 Fr. ■	1 x 5 Fr.	2 x 4 Fr. or 1 x 5 Fr.	1 x 5 Fr.	2 x 4 Fr. or 1 x 5 Fr.
196 020 200 19.5 Fr. ■	1 x 6 Fr.	2 x 5 Fr. or 1 x 6 Fr.	1 x 6 Fr.	2 x 5 Fr. or 1 x 6 Fr.
196 020 300 21.0 Fr. ■	1 x 7 Fr.	2 x 6 Fr. or 1 x 7 Fr.	1 x 7 Fr.	2 x 6 Fr. or 1 x 7 Fr.
196 020 400 23.0 Fr. ■	1 x 9 Fr.	2 x 7 Fr. or 1 x 9 Fr.	1 x 9 Fr.	2 x 7 Fr. or 1 x 9 Fr.
196 020 500 25.0 Fr. □	1 x 9 Fr.	2 x 7 Fr. or 1 x 9 Fr.	1 x 9 Fr.	2 x 7 Fr. or 1 x 9 Fr.

### Chart for instrument channel capacity - SC series connecting system

Cystoscope sheaths	Capacity with albarra deflector		Capacity with adaptor bridge	
	198 010 010	198 010 020	198 050 200	198 050 300
198 020 100 17.0 Fr. ■	1 x 5 Fr.	2 x 4 Fr. or 1 x 5 Fr.	1 x 5 Fr.	2 x 4 Fr. or 1 x 5 Fr.
198 020 200 19.0 Fr. ■	1 x 6 Fr.	2 x 5 Fr. or 1 x 6 Fr.	1 x 6 Fr.	2 x 5 Fr. or 1 x 6 Fr.
198 020 300 20.0 Fr. ■	1 x 7 Fr.	2 x 6 Fr. or 1 x 7 Fr.	1 x 7 Fr.	2 x 6 Fr. or 1 x 7 Fr.
198 020 400 22.0 Fr. ■	1 x 9 Fr.	2 x 7 Fr. or 1 x 9 Fr.	1 x 9 Fr.	2 x 7 Fr. or 1 x 9 Fr.
198 020 500 25.0 Fr. □	1 x 9 Fr.	2 x 7 Fr. or 1 x 9 Fr.	1 x 9 Fr.	2 x 7 Fr. or 1 x 9 Fr.

## Quick-Lock Albarran deflecting mechanism

Thanks to one or two working channels, the Albarran deflecting mechanisms allow the use of electro surgery probes as well as of flexible instruments. These devices can be aim towards located area thanks to the deflecting mechanism.



Art.-No.

**196 010 010**

### Albarran deflector mechanism with one working channel

to use with 4mm telescope (see page 16)

to use with Quick-Lock cystoscopy sheaths (see page 23)

working channel for instrument up to 9Fr. (see chart page 29)



Art.-No.

**196 010 020**

### Albarran deflector mechanism with two working channels

to use with 4mm telescope (see page 16)

to use with Quick-Lock cystoscopy sheaths (see page 23)

working channel for instrument up to 9Fr. (see chart page 29)

**Quick lock adapter bridges**

The function of adapter bridges is to adapt the total length of cystoscopy sheath to telescope length. Thanks to additional working channel, it allows the use of electro surgery probes and flexible instruments.

Art.-No.  
**196 050 100**

**Quick-Lock adapter bridge for diagnostic**  
to use with 4mm telescope (see page 16)  
to use with Quick-Lock cystoscopy sheaths (see page 23)



Art.-No.  
**196 050 200**

**Quick-Lock adapter bridge with one working channel**  
to use with 4mm telescope (see page 16)  
to use with Quick-Lock cystoscopy sheaths (see page 23)  
working channel for instrument up to 9Fr. (see chart page 29)



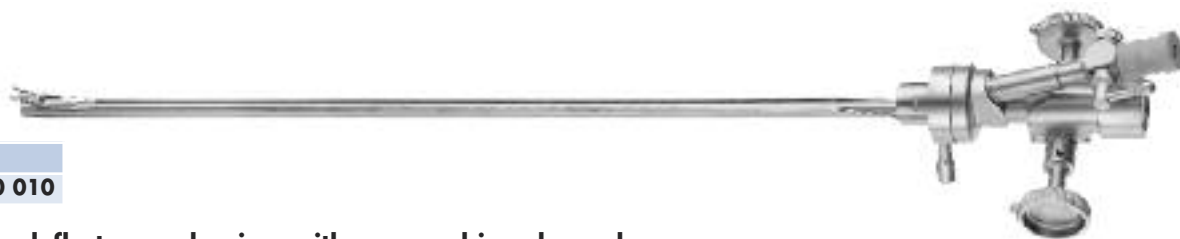
Art.-No.  
**196 050 300**

**Quick-Lock adapter bridge with two working channels**  
to use with 4mm telescope (see page 16)  
to use with Quick-Lock cystoscopy sheaths (see page 23)  
working channel for instrument up to 9Fr. (see chart page 29)



## SC series Albarran deflecting mechanism

Thanks to one or two working channels the Albarran deflecting mechanisms allow the use of electro surgery probes as well flexible instruments. These devices can be aim towards located area thanks to the deflecting mechanism.



Art.-No.

**198 010 010**

### Albarran deflector mechanism with one working channel

to use with 4mm telescope (see page 16)

to use with SC series cystoscopy sheaths (see page 26)

working channel for instrument up to 9Fr. (see chart page 29)



Art.-No.

**198 010 020**

### Albarran deflector mechanism with two working channels

to use with 4mm telescope (see page 16)

to use with SC series cystoscopy sheaths (see page 26)

working channel for instrument up to 9Fr. (see chart page 29)



## SC series adapter bridges

The function of adapter bridges is to adapt the total length of telescope sheath to cystoscope length. Thanks to additional working channel, it allows the use of electro surgery probes and flexible instruments.

Art.-No.

**198 050 100**

### SC series adapter bridge for diagnostic

to use with 4mm telescope (see page 16)

to use with SC series cystoscopy sheaths (see page 26)



Art.-No.

**198 050 200**

### SC series adapter bridge with one working channel

to use with 4mm telescope (see page 16)

to use with SC series cystoscopy sheaths (see page 26)

working channel for instrument up to 9Fr. (see chart page 29)



Art.-No.

**198 050 300**

### SC series adapter bridge with two working channels

to use with 4mm telescope (see page 16)

to use with SC series cystoscopy sheaths (see page 26)

working channel for instrument up to 9Fr. (see chart page 29)



## Optical instrumentation with Quick-Lock connecting system

The following optical instrumentation are used directly with Quick-Lock cystoscopy sheath or can be used with Quick-Lock resectoscopy sheath thanks to the adapter ref. 195 091 600.

This instrumentation are used with following 4mm telescopes exclusively:

- 165 403 000 : 4mm straight forward telescope 0°
- 165 403 001 : 4mm telescope 12°
- 165 403 002 : 4mm forward oblique telescope 30°

A minimum of 19,5 Fr. Quick-Lock cystoscopy sheath is required.



Art.-No.

**395 400 035**

### Optical grasping forceps with Quick-Lock connecting system for easier and quicker use.

Double action jaws for stent removal

to use with 4mm telescope (see page 16)

to use with Quick-Lock cystoscopy sheath from 19,5 Fr. (see page 23) or

with Quick-Lock resectoscopy sheath and adapter ref. 195 091 600 (see page 35)



Art.-No.

**395 400 007**

### Short jaw optical biopsy forceps with Quick-Lock connecting system for easier and quicker use.

Double action jaws, forceps located at the bottom of endoscope channel.

to use with 4mm telescope (see page 16)

to use with Quick-Lock cystoscopy sheath from 19,5 Fr. (see page 23) or

with Quick-Lock resectoscopy sheath and adapter ref. 195 091 600 (see page 35)



Art.-No.

**395 400 030**

### Optical biopsy forceps with Quick-Lock connecting system for easier and quicker use.

Double action jaws, spherical through cutting jaws.

to use with 4mm telescope (see page 16)

to use with Quick-Lock cystoscopy sheath from 19,5 Fr. (see page 23) or

with Quick-Lock resectoscopy sheath and adapter ref. 195 091 600 (see page 35)



## Optical instrumentation with Quick-Lock connecting system

Art.-No.  
**395 400 008**

### Optical scissors with Quick-Lock connecting system for easier and quicker use.

Double action jaws,  
to use with 4mm telescope (see page 16)  
to use with Quick-Lock cystoscopy sheath from 19,5 Fr. (see page 23) or  
with Quick-Lock resectoscopy sheath and adapter ref. 195 091 600 (see below)



Art.-No.  
**395 400 006**

### Optical stone crushing forceps with Quick-Lock connecting system for easier and quicker use.

Double action jaws,  
to use with 4mm telescope (see page 16)  
to use with Quick-Lock cystoscopy sheath from 23 Fr. (see page 23) or  
with Quick-Lock resectoscopy sheath and adapter ref. 195 091 600 (see below)



Art.-No.  
**195 091 600**

### Adapter with Quick-Lock connecting system

to use Quick-Lock optical forceps with Quick-Lock resectoscopy inner sheaths or  
Quick-Lock combi sheaths



## Optical instrumentation with SC series connecting system

The following optical instrumentation are used directly with SC series cystoscopy sheaths or can be used with SC series resectoscopy sheaths thanks to the adapter ref. 198 091 600 or 198 091 700

This instrumentation are used with following 4mm telescopes exclusively:

- 165 403 000 : 4mm straight forward telescope 0°
- 165 403 001 : 4mm telescope 12°
- 165 403 002 : 4mm forward oblique telescope 30°

A minimum SC series cystoscopy sheath of 20 Fr. is required.



Art.-No.

**398 400 035**

### Optical grasping forceps with SC series connecting system

Double action jaws for stent removal  
to use with 4mm telescope (see page 16)  
to use with SC series cystoscopy sheath from 20 Fr. (see page 26) or  
with SC series resectoscopy sheath and adapter ref. 198 091 600  
or ref. 198 091 700 (see page 37)



Art.-No.

**398 400 031**

### Short jaw optical biopsy forceps with SC series connecting system

Double action jaws, forceps located at the bottom of endoscope channel  
to use with 4mm telescope (see page 16)  
to use with SC series cystoscopy sheath from 20 Fr. (see page 26) or  
with SC series resectoscopy sheath and adapter ref. 198 091 600  
or ref. 198 091 700 (see page 37)



Art.-No.

**398 400 030**

### Optical biopsy forceps with SC series connecting system

Double action jaws, spherical through cutting jaws  
to use with 4mm telescope (see page 16)  
to use with SC series cystoscopy sheath from 20 Fr. (see page 26) or  
with SC series resectoscopy sheath and adapter ref. 198 091 600  
or ref. 198 091 700 (see page 37)



**Optical instrumentation with SC series connecting system**

Art.-No.  
**398 400 008**

**Optical scissors with SC series connecting system**

Double action jaws,  
to use with 4mm telescope (see page 16)  
to use with SC series cystoscopy sheath from 20 Fr. (see page 26) or  
with SC series resectoscopy sheath and adapter ref. 198 091 600  
or ref. 198 091 700 (see below)



Art.-No.  
**398 400 006**

**Optical stone crushing forceps with SC series connecting system**

Double action jaws,  
to use with 4mm telescope (see page 16)  
to use with SC series cystoscopy sheath from 25 Fr. (see page 26) or  
with SC series resectoscopy sheath and adapter ref. 198 091 600  
or ref. 198 091 700 (see below)



Art.-No.  
**198 091 600**

**Adapter with SC series connecting system**

to use SC series optical forceps with SC series resectoscopy inner sheaths or combi sheaths



Art.-No.  
**198 091 700**

**Adapter with SC series connecting system**

to use SC series optical forceps with SC series resectoscopy outer sheaths



Company

Optics

Cystoscopy

Resectoscopy

Accessories for urology

Urethrotomy

Uretero-Resnoscopy

Pediatric Urology

Lithotripsy

Nephroscopy

Sterilization and maintenance

## Compatibility matrix

4mm telescope	Optical forceps	cystoscopy sheath	adapter	resectoscopy sheath
165 403 000 165 403 001 165 403 002	395 400 007 395 400 008 395 400 030 395 400 035	196 020 200 196 020 300 196 020 400 196 020 500		
			195 091 600	195 030 501 195 030 521 195 040 010 195 040 025 195 040 514 195 040 518 195 040 523 195 040 530
	395 400 006	195 020 400 195 020 500		
			195 091 600	195 030 501 195 030 521 195 040 010 195 040 025 195 040 514 195 040 523 195 040 530
	398 400 008 398 400 030 398 400 031 398 400 035	198 020 300 198 020 400 198 020 500		
			198 091 600	199 030 540 199 030 550 199 040 514 199 040 516
			198 091 700	199 040 540 199 040 550
	398 400 006	198 020 500		
			198 091 600	199 030 550 199 040 516
			198 091 700	199 040 550

## Quick-Lock Continuous flow laser cystoscopy

In addition to our 4mm forward oblique telescope 30°, the Sopro-Comeg continuous flow laser cystoscopy system allows the use of laser fibers in urethra, bladder or prostate.

The continuous flow insures a perfect control under endoscopic view and the Sopro-Comeg Quick-Lock connecting system permits an easier and quicker use of this innovative device.

With it's totally atraumatic distal tip and it's 6,5Fr. operating channel, the 23Ch. laser cystoscopy system is the device you need for urology laser procedures.

The large operating channel allows the use of catheter and flexible instruments (see page 41) and mainly all laser fibers.

Continuous flow sheath and visual obturator are also available to adapt the device to your choices.



Art.-No.

**196 080 400**

### Continuous flow laser cystoscopy sheath, complete

to use with 4mm forward oblique telescope 30°, ref. 165 403 002  
with 6,5 Fr. working channel  
delivered without obturator.



Art.-No.

**196 080 000**

### Quick-Lock inner sheath for continuous flow laser cystoscopy

to use with 4mm forward oblique telescope 30°, ref. 165 403 002  
to use with Quick-Lock outer sheath ref. 196 080 100  
with 6,5 Fr. working channel  
delivered without obturator.



Art.-No.

**196 080 100**

### 23 Fr. Quick-Lock outer sheath for continuous flow laser cystoscopy

to use with Quick-Lock inner sheath ref. 196 080 000

## Quick-Lock Continuous flow laser cystoscopy

Art.-No.

**165 403 002**

### Forward oblique telescope 30°, enlarged view

Ø 4mm

length 301mm

with rod lenses optical system

autoclavable

with fiber optic light transmission incorporated

Color code: ■



Art.-No.

**196 080 200**

### Quick-Lock standard obturator for continuous flow laser cystoscopy system.

to use with inner sheath ref. 196 080 000 or

with combi sheath ref. 196 080 400



Art.-No.

**196 080 300**

### Quick-Lock visual obturator for continuous flow laser cystoscopy system.

to use with inner sheath ref. 196 080 000 or

with combi sheath ref. 196 080 400





**Flexible instrumentation**

Specially designed for intensive use, the Sopro-Comeg flexible instrumentation is the perfect tool to perform operating cystoscopy. Available in different sizes from 5 Fr. to 9 Fr. these flexible instruments are adapted to be use with Albarran deflecting mechanism or cystoscopy adapter bridges with operating channels.



Art.-No.  
**395 400 020**

**5 Fr. flexible forceps for removal of foreign body**  
double action jaws, autoclavable  
40 cm working length

Art.-No.  
**395 400 000**

**7 Fr. flexible forceps for removal of foreign body**  
double action jaws, autoclavable  
40 cm working length

Art.-No.  
**395 400 001**

**9 Fr. flexible forceps for removal of foreign body**  
double action jaws, autoclavable  
40 cm working length



Art.-No.  
**395 400 021**

**5 Fr. flexible biopsy forceps**  
double action jaws, autoclavable  
40 cm working length

Art.-No.  
**395 400 002**

**7 Fr. flexible biopsy forceps**  
double action jaws, autoclavable  
40 cm working length

Art.-No.  
**395 400 003**

**9 Fr. flexible biopsy forceps**  
double action jaws, autoclavable  
40 cm working length



Art.-No.  
**395 400 022**

**5 Fr. flexible scissors**  
single action jaws, autoclavable  
40 cm working length

Art.-No.  
**395 400 004**

**7 Fr. flexible scissors**  
single action jaws, autoclavable  
40 cm working length

Art.-No.  
**395 400 005**

**9 Fr. flexible scissors**  
single action jaws, autoclavable  
40 cm working length



## Stone baskets

Art.-No.

**395 400 100****5Fr. reusable basket for stone removal**

4 wires

60cm working length



Art.-No.

**395 400 101****5Fr. reusable basket for stone removal**

6 wires

60cm working length



Monopolar High Frequency Electrodes

Company

Optics

Cystoscopy

Resectoscopy

Accessories for urology

Urethrotomy

Uretero-Rescopy

Pediatric Urology

Lithotripsy

Nephroscopy

Sterilization and maintenance



Art.-No.  
**395 400 046** **NEW**

**3Fr. Monopolar button electrode**  
45 cm working length

Art.-No.  
**395 400 047** **NEW**

**4Fr. monopolar button electrode**  
45 cm working length

Art.-No.  
**395 400 009**

**5Fr. monopolar button electrode**  
45 cm working length

Art.-No.  
**395 400 010**

**6Fr. monopolar button electrode**  
45 cm working length

Art.-No.  
**395 400 011**

**7Fr. monopolar button electrode**  
45 cm working length

Art.-No.  
**395 400 012**

**8Fr. monopolar button electrode**  
45 cm working length



Art.-No.  
**395 400 048** **NEW**

**3Fr. monopolar needle electrode**  
45 cm working length

Art.-No.  
**395 400 013**

**5Fr. monopolar needle electrode**  
45 cm working length

Art.-No.  
**395 400 014**

**7Fr. monopolar needle electrode**  
45 cm working length



Art.-No.  
**395 400 017**

**5Fr. monopolar loop electrode**  
45 cm working length

Art.-No.  
**395 400 015**

**7Fr. monopolar loop electrode**  
45 cm working length



## Monopolar High Frequency cable

Art.-No.

**195 200 001**

### Monopolar high frequency cable

300 cm length

for Sopr-Comeg monopolar electrodes and monopolar resection working element with 8 mm banana plug

to connect with electro surgery units model Valleylab and Karl Storz



Art.-No.

**195 200 002**

### Monopolar high frequency cable

300 cm length

for Sopr-Comeg monopolar electrodes and monopolar resection working element with 5 mm plug

to connect with electro surgery units model Karl Storz and Erbe ACC/ICC



Art.-No.

**195 200 003**

### Monopolar high frequency cable

300 cm length

for Sopr-Comeg monopolar electrodes and monopolar resection working element with 4 mm plug

to connect with electro surgery units model Martin, Berchtold and Aesculap



Art.-No.

**195 200 004**

### Monopolar high frequency cable

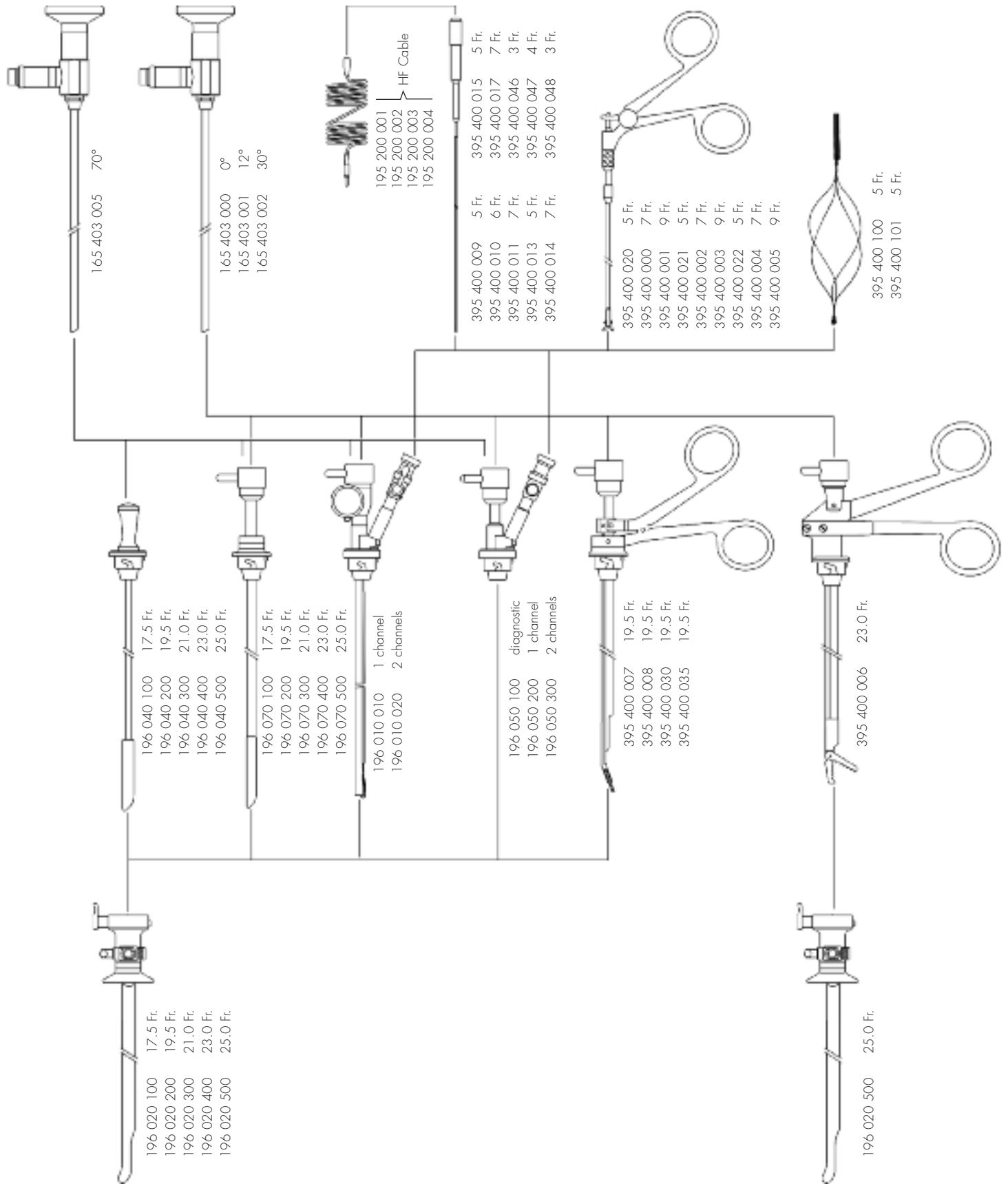
300 cm length

for Sopr-Comeg monopolar electrodes and monopolar resection working element with 4 mm banana plug

to connect with electro surgery units model Martin, Berchtold, Erbe T serie and others



## Quick-Lock overview



Company

Optics

Cystoscopy

Resectoscopy

Accessories for urology

Urethrotomy

Uretero-Rescopy

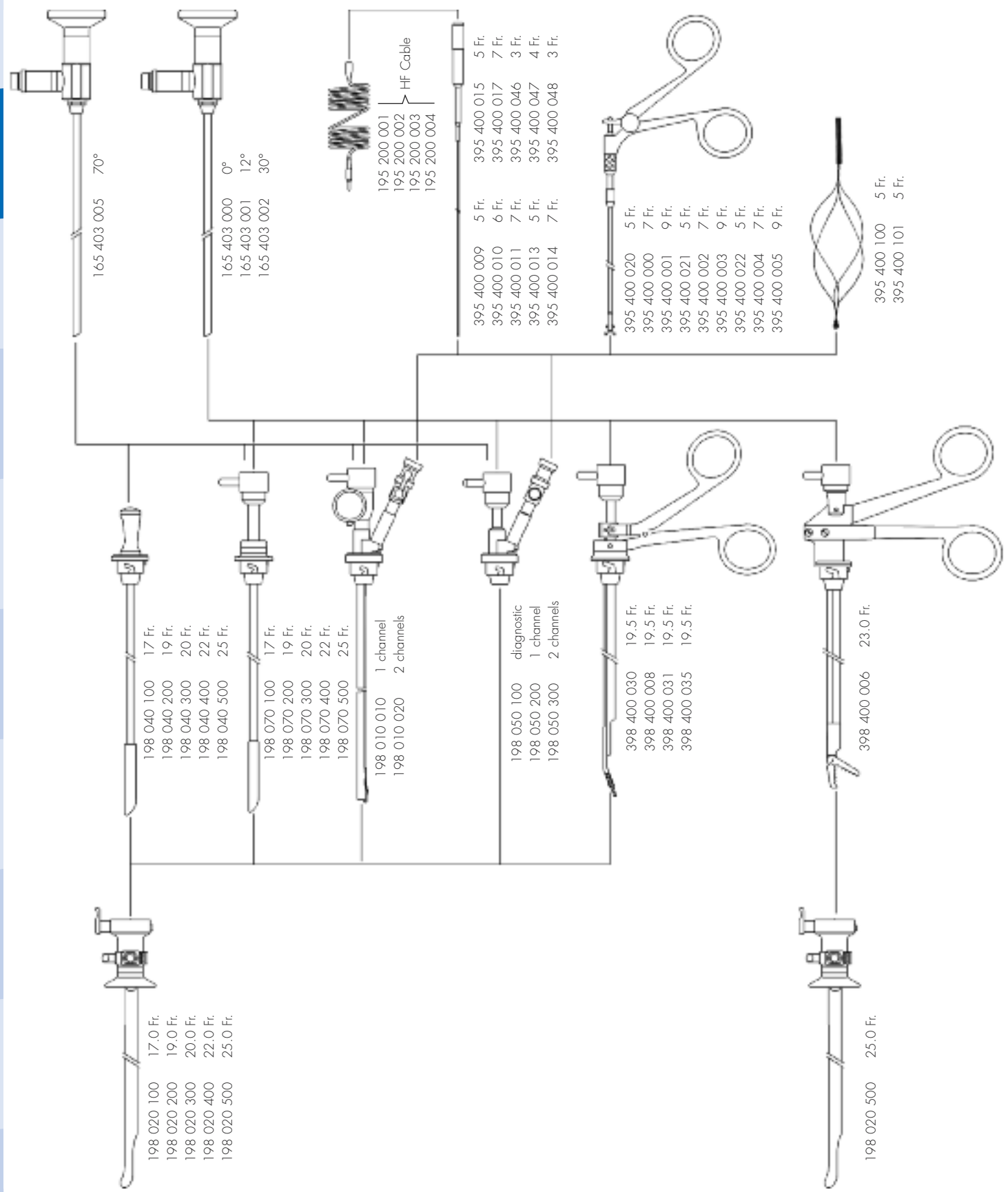
Pediatric Urology

Lithotripsy

Nephroscopy

Sterilization and maintenance

## SC series overview





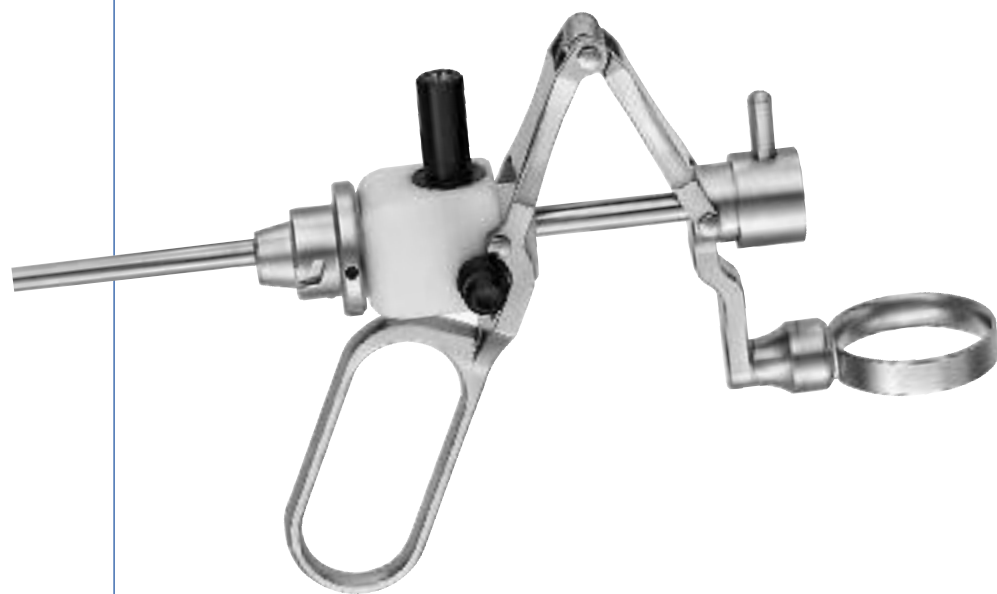
SOPRO  
COMEG

The logo features the words "SOPRO" and "COMEG" stacked vertically in a bold, sans-serif font. The text is centered between two large, curved swooshes that resemble stylized orbits or paths. The top swoosh is light green and curves from the right side towards the left, passing behind the word "SOPRO". The bottom swoosh is light blue and curves from the left side towards the right, passing behind the word "COMEG".



SOPRO  
COMEG





## **4 • RESECTOSCOPY**

Working elements . . . . .	p51
Laser working elements . . . . .	p53
Single flow resectoscopy sheaths . . . . .	p54
Continuous flow resectoscopy sheaths . . . . .	p56
Obturator . . . . .	p60
Visual obturator . . . . .	p62
High Frequency electrodes . . . . .	p64
Monopolar High Frequency cable . . . . .	p67
HF-resectoscope urethrotome . . . . .	p68
Supra-pubic aspiration set . . . . .	p70
Overviews . . . . .	p71

Since more than 25 years, Sopro-Comeg is involved in developing transurethral resection (TUR) devices, the standard for resection of bladder tumors and prostatic hyperplasia.

The Sopro-Comeg monopolar resection devices allow to proceed TUR in safety conditions and with exceptional optical quality. Nevertheless, Sopro-Comeg also developed a laser resection device for physicians who are familiar with this procedure.

The innovative Sopro-Comeg Quick-Lock connecting system permits to connect and disconnect endoscope and sheath in an easy and quicker gesture. However, physician have also the possibility to use a standard connection, thanks to our Sopro-Comeg SC series.

Passive or active, the Sopro-Comeg working element, as well electrodes and sheaths, are made with the same quality in term of raw material, choice of stainless steel and human know-how.

### Passive or active?

**ACTIVE** Active working element activate the electrode movement when physician is closing the handle.

**PASSIVE** Passive working element active the electrode movement when physician release the handle.



Resection

## Working elements with Quick-Lock connecting system

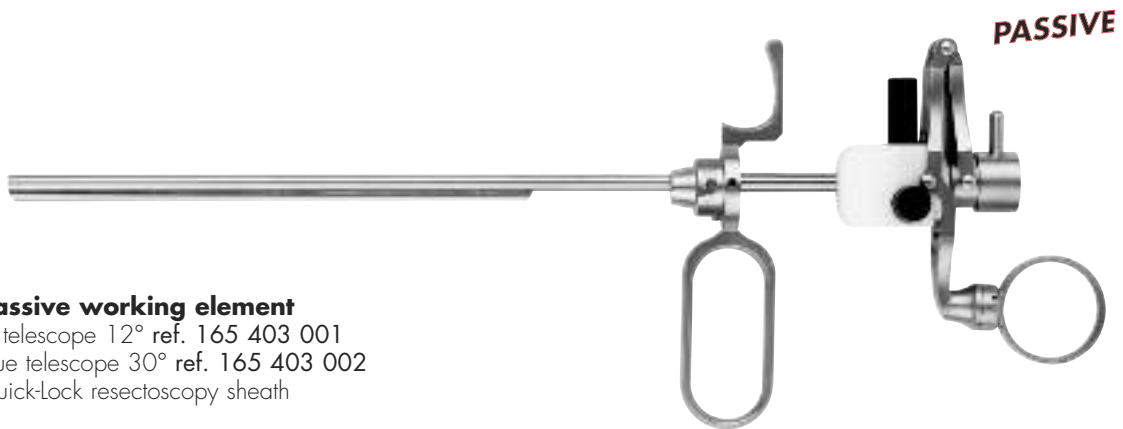


Art.-No.  
**195 010 000**

**Quick-Lock active working element**  
to use with 4mm telescope 12° ref. 165 403 001  
or forward oblique telescope 30° ref. 165 403 002  
to use with all Quick-Lock resectoscopy sheath

Art.-No.  
**195 010 040**

**Quick-Lock active working element**  
to use with 3mm telescope 12° ref. 165 303 001  
or forward oblique telescope 30° ref. 165 303 002  
to use with all Quick-Lock resectoscopy sheath



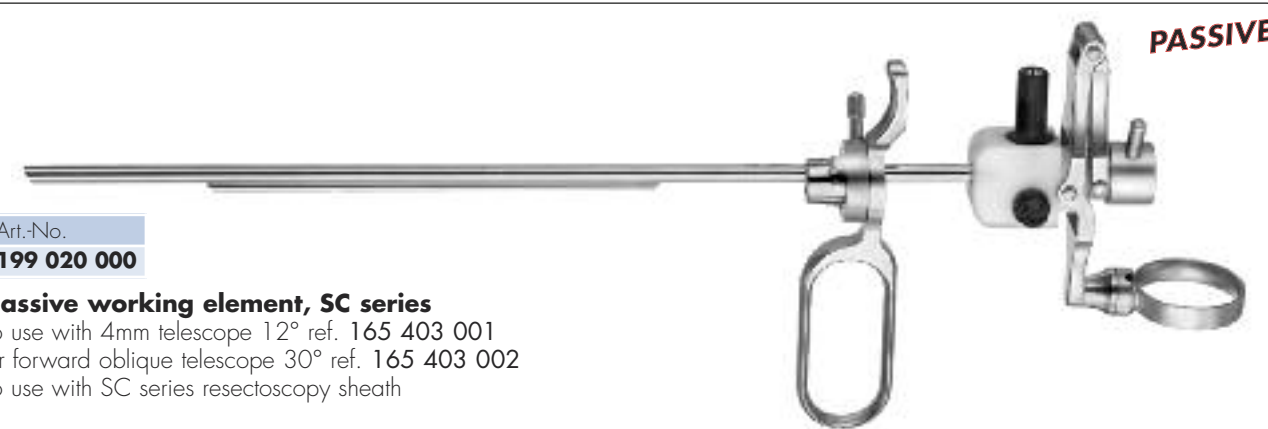
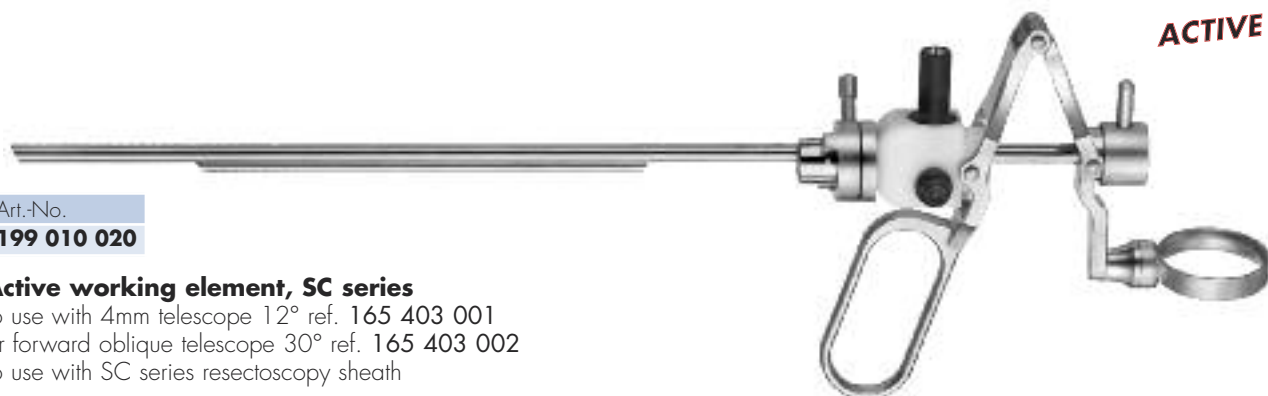
Art.-No.  
**195 020 000**

**Quick-Lock passive working element**  
to use with 4mm telescope 12° ref. 165 403 001  
or forward oblique telescope 30° ref. 165 403 002  
to use with all Quick-Lock resectoscopy sheath

Art.-No.  
**195 020 040**

**Quick-Lock passive working element**  
to use with 3mm telescope 12° ref. 165 303 001  
or forward oblique telescope 30° ref. 165 303 002  
to use with all Quick-Lock resectoscopy sheath

## Working element with SC series connecting system



## Laser working elements with Quick-Lock connecting system

Art.-No.  
**195 400 020**

### Quick-Lock laser working element

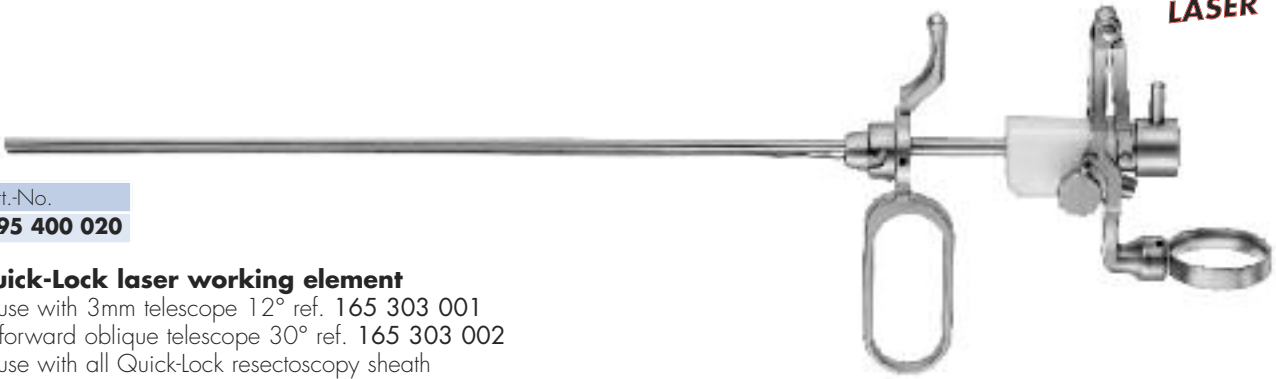
to use with 3mm telescope 12° ref. 165 303 001  
or forward oblique telescope 30° ref. 165 303 002  
to use with all Quick-Lock resectoscopy sheath  
fixation screw for perfect guidance of laser probes  
maximal probe diameter 0,8mm  
in resting position the probe is inside the sheath

Art.-No.  
**195 400 025**

### Quick-Lock laser working element

to use with 4mm telescope 12° ref. 165 403 001  
or forward oblique telescope 30° ref. 165 403 002  
to use with all Quick-Lock resectoscopy sheath  
fixation screw for perfect guidance of laser probes  
maximal probe diameter 0,8mm  
in resting position the probe is inside the sheath

**LASER**



Art.-No.  
**199 075 030**

### 7Fr. laser bridge

to connect with 24Fr. SC series resectoscopy sheath  
Color code:

**LASER**



## Single flow resectoscopy sheath with Quick-Lock connecting system



Art.-No.

**195 040 025**

### **21Fr. resectoscopy sheath, single flow, with ceramic tip insulation**

with Quick-Lock connecting system for easier and quicker use.

with one fix stopcock for irrigation

delivered with Quick-Lock standard obturator ref. 195 070 100

Color code: ■

Art.-No.

**195 040 010**

### **24Fr. resectoscopy sheath, single flow, with ceramic tip insulation**

with Quick-Lock connecting system for easier and quicker use.

with one fix stopcock for irrigation

delivered with Quick-Lock standard obturator ref. 195 070 000

Color code: ■

Art.-No.

**195 040 530**

### **27Fr. resectoscopy sheath, single flow, with ceramic tip insulation**

with Quick-Lock connecting system for easier and quicker use.

with one fix stopcock for irrigation

delivered with Quick-Lock standard obturator ref. 195 070 500

Color code: ■

Company

Optics

Cystoscopy

Resectoscopy

Accessories  
for urology

Urethrotomy

Uretero-  
Renoscopy

Pediatric  
Urology

Lithotripsy

Nephroscopy

Sterilization and  
maintenance

## Single flow resectoscopy sheath with SC series connecting system



Art.-No.  
**199 040 010**

**24Fr. resectoscopy sheath, single flow, with ceramic tip insulation**

with SC series connecting system.  
with one fix stopcock for irrigation  
delivered with SC series standard obturator ref. 199 070 000  
Color code: ■

Art.-No.  
**199 040 530**

**27Fr. resectoscopy sheath, single flow, with ceramic tip insulation**

with SC series connecting system.  
with one fix stopcock for irrigation  
delivered with SC series standard obturator ref. 199 080 000  
Color code: ■

## Continuous flow resectoscopy sheath with fix stopcock for irrigation with Quick-Lock connecting system

The Sopro Comeg continuous flow sheaths are specially designed for optimum continuous suction and irrigation. The continuous flow resectoscopy sheaths with fix stopcock are composed by one inner sheath and one outer sheath.



Art.-No.  
**195 030 521**

### 24Fr. Inner sheath, with ceramic tip insulation

with one fix stopcock  
with Quick-Lock connecting system for easier and quicker use  
to use with 26Fr. Quick-Lock outer sheath ref. 195 040 525  
Standard obturator ref. 195 070 000 has to be ordered separately

Art.-No.  
**195 030 501**

### 24Fr. Inner sheath, with ceramic tip insulation

with one fix stopcock  
with Quick-Lock connecting system for easier and quicker use  
to use with 27Fr. Quick-Lock outer sheath ref. 195 040 540  
Standard obturator ref. 195 070 000 has to be ordered separately



Art.-No.  
**195 040 525**

### 26Fr. Outer sheath with surrounding perforation

with one fix stopcock  
with Quick-Lock connecting system for easier and quicker use  
to use with 24Fr. Quick-Lock inner sheath ref. 195 030 521  
to use with all Quick-Lock working element or  
with adapter ref. 195 091 600 to use Quick-Lock optical forceps

Art.-No.  
**195 040 540**

### 27Fr. Outer sheath with surrounding perforation

with one fix stopcock  
with Quick-Lock connecting system for easier and quicker use  
to use with 24Fr. Quick-Lock inner sheath ref. 195 030 501  
to use with all Quick-Lock working element or  
with adapter ref. 195 091 600 to use Quick-Lock optical forceps

Art.-No.  
**195 091 600**

### Adapter with Quick-Lock connecting system

to use Quick-Lock optical forceps with Quick-Lock resectoscopy inner sheaths or combi sheath



Company

Optics

Cystoscopy

Resectoscopy

Accessories for urology

Urethrotomy

Uretero-Rescopy

Pediatric Urology

Lithotripsy

Nephroscopy

Sterilization and maintenance



## Continuous flow resectoscopy sheaths with fix stopcock for irrigation with SC series connecting system

Art.-No.  
**199 030 540**



### 24Fr. Inner sheath, with ceramic tip insulation

with SC series connecting system  
with one fix stopcock  
to use with 26Fr. SC series outer sheath ref. 199 040 540 or  
with adapter ref. 198 091 600 to use optical forceps  
Standard obturator ref. 199 070 000 has to be ordered separately

Art.-No.  
**199 030 550**

### 27Fr. Inner sheath, with ceramic tip insulation

with SC series connecting system.  
with one fix stopcock  
to use with 28Fr. SC series outer sheath ref. 195 040 540 or  
with adapter ref. 198 091 600 to use SC series optical forceps  
Standard obturator ref. 199 080 000 has to be ordered separately

Art.-No.  
**199 040 540**



### 26Fr. Outer sheath with surrounding perforation

with SC series connecting system  
with one fix stopcock  
to use with 24Fr. SC series inner sheath ref. 199 030 540  
to use with all SC series working element or  
with adapter ref. 198 091 700 to use SC series optical forceps

Art.-No.  
**199 040 550**

### 28Fr. Outer sheath with surrounding perforation

with SC series connecting system for easier and quicker use.  
with one fix stopcock  
to use with 27Fr. SC series inner sheath ref. 199 030 550  
to use with all SC series working element or  
with adapter ref. 198 091 700 to use SC series optical forceps

Art.-No.  
**198 091 600**

### Adapter with SC series connecting system

to use SC series optical forceps with SC series resectoscopy inner sheaths or combi-sheath



Art.-No.  
**198 091 700**

### Adapter with SC series connecting system

to use SC series optical forceps with SC series resectoscopy outer sheaths



## Continuous flow resectoscopy combi-sheaths with two rotatable stopcocks with Quick-Lock connecting system

Art.-No.

**195 040 518**

### **24Fr./21Fr. combi-sheath with surrounding perforation and ceramic tip insulation**

with two rotatable stopcocks  
with Quick-Lock connecting system for easier and quicker use  
to use with all Quick-Lock working elements  
standard obturator ref. 195 070 100 has to be ordered separately

Art.-No.

**195 040 523**

### **26Fr./24Fr. combi-sheath with surrounding perforation and ceramic tip insulation**

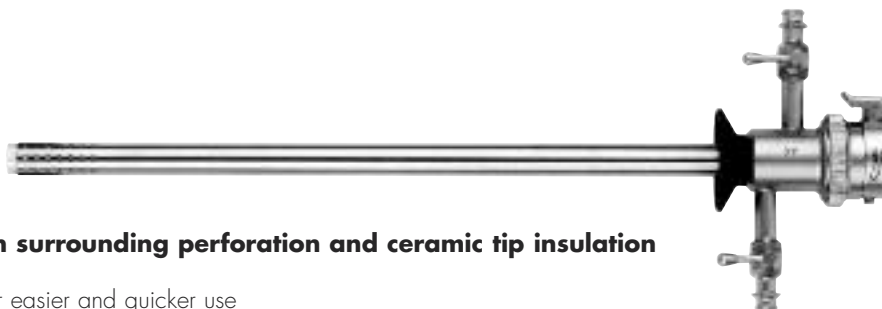
with two rotatable stopcocks  
with Quick-Lock connecting system for easier and quicker use  
to use with all Quick-Lock working elements or  
with adapter ref. 195 091 600 to use Quick-Lock optical forceps  
standard obturator ref. 195 070 000 has to be ordered separately

Art.-No.

**195 040 514**

### **27Fr./24Fr. combi-sheath with surrounding perforation and ceramic tip insulation**

with two rotatable stopcocks  
with Quick-Lock connecting system for easier and quicker use  
to use with all Quick-Lock working elements or  
with adapter ref. 195 091 600 to use Quick-Lock optical forceps  
standard obturator ref. 195 070 000 has to be ordered separately



Art.-No.

**195 091 600**

### **Adapter with Quick-Lock connecting system**

to use Quick-Lock optical forceps with Quick-Lock resectoscopy inner sheaths or combi-sheath



Company

Optics

Cystoscopy

Resectoscopy

Accessories for urology

Urethrotomy

Uretero-Renoscropy

Pediatric Urology

Lithotripsy

Nephroscopy

Sterilization and maintenance

## Continuous flow resectoscopy combi-sheaths with two rotatable stopcocks with SC series connecting system

Art.-No.  
**199 040 514**

### 26Fr./24Fr. combi-sheath with surrounding perforation and ceramic tip insulation

with two rotatable stopcocks  
with SC series connecting system  
to use with all SC series working elements  
or with adapter ref. 198 091 600 to use SC series optical forceps  
standard obturator ref. 199 070 000 has to be ordered separately

Art.-No.  
**199 040 516**

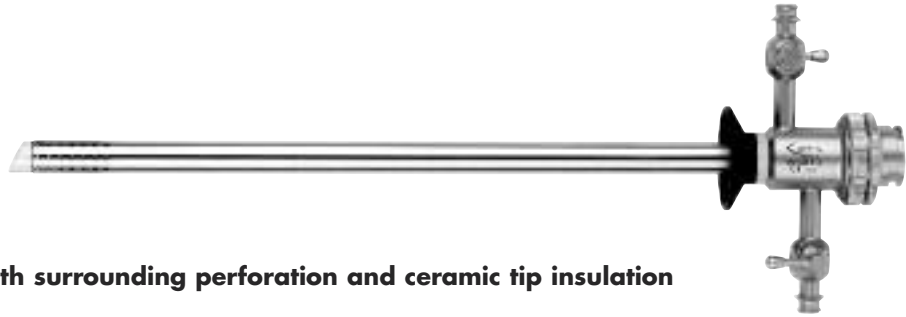
### 28Fr./27Fr. combi-sheath with surrounding perforation and ceramic tip insulation

with two rotatable stopcocks  
with SC series connecting system  
to use with all SC series working elements or  
with adapter ref. 198 091 600 to use SC series optical forceps  
standard obturator ref. 199 080 000 has to be ordered separately

Art.-No.  
**198 091 600**

### Adapter with SC series connecting system

to use SC series optical forceps with SC series resectoscopy inner sheaths or combi-sheath



## Obturator with Quick-Lock connecting system



Art.-No.  
**195 070 100**

### 21 Fr. Standard obturator

with Quick-Lock connecting system for easier and quicker use to use with 21Fr. Quick-Lock resectoscopy sheath  
Color code: ■

Art.-No.  
**195 070 000**

### 24 Fr. Standard obturator

with Quick-Lock connecting system for easier and quicker use to use with 24Fr. Quick-Lock resectoscopy sheath  
Color code: ■

Art.-No.  
**195 070 500**

### 24 Fr. Standard obturator

with Quick-Lock connecting system for easier and quicker use to use with 27Fr. Quick-Lock resectoscopy sheath  
Color code: ■



Art.-No.  
**195 060 000**

### 24 Fr. Deflecting obturator

with Quick-Lock connecting system for easier and quicker use to use with 24Fr. Quick-Lock resectoscopy sheath  
Color code: ■

Art.-No.  
**195 070 250**

### 27Fr. Deflecting obturator

with Quick-Lock connecting system for easier and quicker use to use with 27Fr Quick-Lock resectoscopy sheath  
Color code: ■



Art.-No.  
**195 050 002**

### 24 Fr. Atraumatic distending obturator

with Quick-Lock connecting system for easier and quicker use to use with 24Fr. Quick-Lock resectoscopy sheath  
Color code: ■

Art.-No.  
**195 050 102**

### 27Fr. Atraumatic distending obturator

with Quick-Lock connecting system for easier and quicker use to use with 27Fr Quick-Lock resectoscopy sheath  
Color code: ■

## Obturator with SC series connecting system



Art.-No.  
**199 070 000**

**24 Fr. Standard obturator**  
with SC series connecting system  
to use with 24 Fr. SC series resectoscopy sheath  
Color code: ■

Art.-No.  
**199 080 000**

**27 Fr. Standard obturator**  
with SC series connecting system  
to use with 27 Fr. SC series resectoscopy sheath  
Color code: ■



Art.-No.  
**199 060 000**

**24 Fr. Deflecting obturator**  
with SC series connecting system.  
to use with 24Fr. SC series resectoscopy sheath  
Color code: ■



Art.-No.  
**199 050 002**

**24 Fr. Atraumatic distending obturator**  
with SC series connecting system.  
to use with 24Fr. SC series resectoscopy sheath  
Color code: ■

Art.-No.  
**199 050 102** **NEW**

**27 Fr. Atraumatic distending obturator**  
with SC series connecting system.  
to use with 27Fr. SC series resectoscopy sheath  
Color code: ■

## Visual obturator with Quick-Lock connecting system

The Quick-Lock visual obturator permits to physician to add the benefit of insertion under direct view to innovative Quick-Lock connecting system.



Art.-No.

**195 075 020**

### 21 Fr. Visual obturator

with Quick-Lock connecting system for easier and quicker use  
to use with 21Fr. Quick-Lock resectoscopy sheath  
to use with 4mm telescope (see page 16)

Color code: ■

Art.-No.

**195 075 000**

### 24 Fr. Visual obturator

with Quick-Lock connecting system for easier and quicker use  
to use with 24Fr. Quick-Lock resectoscopy sheath  
to use with 4mm telescope (see page 16)

Color code: ■



Art.-No.

**195 075 010**

### 24 Fr. Visual obturator

with 5Fr. working channel for flexible instruments  
with Quick-Lock connecting system for easier and quicker use  
to use with 24Fr. Quick-Lock resectoscopy sheath  
to use with 4mm telescope (see page 16)

Color code: ■

## Visual obturator with SC series connecting system



Art.-No.

**199 075 010**

### **24 Fr. Visual obturator**

with 5Fr. working channel for flexible instruments  
with SC series connecting system  
to use with 24Fr. SC series resectoscopy sheath  
to use with 4mm telescope (see page 16)  
Color code:

Company

Optics

Cystoscopy

Resectoscopy

Accessories  
for urology

Urethrotomy

Uretero-  
RenoscopyPediatric  
Urology

Lithotripsy

Nephroscopy

Sterilization and  
maintenance

## One stem High Frequency electrodes with stabilizer to use with all Quick-Lock working elements

Art.-No.  
**195 100 007**

**Cutting loop, angled, 21 Fr.**  
wire diameter 0,35 mm

Art.-No.  
**195 100 000**

**Cutting loop, angled, 24 Fr.**  
wire diameter 0,35 mm

Art.-No.  
**195 100 008**

**Cutting loop, angled, 24 Fr.**  
wire diameter 0,25 mm

Art.-No.  
**195 100 005**

**Cutting loop, angled, 27 Fr.**  
wire diameter 0,35 mm



Art.-No.  
**195 100 001**

**Cutting loop, straight, 24 Fr.**  
wire diameter 0,35 mm

Art.-No.  
**195 100 006**

**Cutting loop, straight, 27 Fr.**  
wire diameter 0,35 mm



Art.-No.  
**195 100 002**

**Cutting loop, angled 90°, 24 Fr.**  
wire diameter 0,35 mm



Art.-No.  
**195 100 011**

**Coagulating electrode, pointed, 21 Fr.**

Art.-No.  
**195 100 010**

**Coagulating electrode, pointed, 24 Fr.**





Art.-No.  
195 100 020

**Vaporization electrode, roller Ø 3mm, 24 Fr.**



Art.-No.  
195 100 021

**Vaporization electrode, roller Ø 5mm, 24 Fr.**



Art.-No.  
195 100 030

**Coagulating electrode, conical, 24 Fr.**



Art.-No.  
195 100 040

**Coagulating electrode, roller Ø 3mm, 24 Fr.**



Art.-No.  
195 100 052

**Coagulating electrode, ball shaped Ø 3mm, 21 Fr.**



Art.-No.  
195 100 050

**Coagulating electrode, ball shaped Ø 3mm, 24 Fr.**

Art.-No.  
195 100 051

**Coagulating electrode, ball shaped Ø 5mm, 24 Fr.**



## One stem High Frequency electrodes with stabilizer to use with all SC series working elements

Art.-No.  
**397 500 007**

**Cutting loop, angled, 24 Fr.**  
wire diameter 0,35 mm



Art.-No.  
**397 500 008**

**Cutting loop, straight, 24 Fr.**  
wire diameter 0,35 mm



Art.-No.  
**397 500 000**

**Cutting loop, angled, 27 Fr.**  
wire diameter 0,35 mm



Art.-No.  
**397 500 001**

**Coagulated electrode, ball shaped, Ø 3mm, 24Fr.**



Art.-No.  
**397 500 009**

**Coagulating electrode, pointed, 24 Fr.**



Art.-No.  
**397 500 016**

**Coagulating electrode, roller Ø 3mm, 24 Fr.**



End of electrodes: 

Company

Optics

Cystoscopy

Resectoscopy

Accessories for urology

Urethrotomy

Uretero-Rescopy

Pediatric Urology

Lithotripsy

Nephroscopy

Sterilization and maintenance

## Monopolar High Frequency cable

Art.-No.  
**195 200 001**

### Monopolar high frequency cable

300 cm length  
for Sopro-Comeg monopolar electrodes and monopolar resection working element  
with 8 mm banana plug  
to connect with electro surgery units model Valleylab and Karl Storz



Art.-No.  
**195 200 002**

### Monopolar high frequency cable

300 cm length  
for Sopro-Comeg monopolar electrodes and monopolar resection working element  
with 5 mm plug  
to connect with electro surgery units model Karl Storz and Erbe ACC/ICC



Art.-No.  
**195 200 003**

### Monopolar high frequency cable

300 cm length  
for Sopro-Comeg monopolar electrodes and monopolar resection working element  
with 4 mm plug  
to connect with electro surgery units model Martin, Berchtold and Aesculap



Art.-No.  
**195 200 004**

### Monopolar high frequency cable

300 cm length  
for Sopro-Comeg monopolar electrodes and monopolar resection working element  
with 4 mm banana plug  
to connect with electro surgery units model Martin, Berchtold, Erbe T serie and others



## HF-resectoscope urethrotome

According to prof. Dr. F. Pagano



Art.-No.  
**165 293 000**

### PAGANO straight forward telescope 0°

enlarged view  
Ø 2,9mm  
length 301mm  
with rod lenses optical system  
autoclavable  
with fiber optic light transmission incorporated  
Color code: ■

Art.-No.  
**165 293 002**

### PAGANO forward oblique telescope 30°

enlarged view  
Ø 2,9mm  
length 301mm  
with rod lenses optical system  
autoclavable  
with fiber optic light transmission incorporated  
Color code: ■

Art.-No.  
**195 400 010**

### Sheath "PAGANO" 15.5 Fr.

one fix stopcock  
with ceramical tip  
including obturator "PAGANO"



Art.-No.  
**195 400 050**

### Standard obturator "PAGANO"



Art.-No.  
**195 400 000**

### Working element "PAGANO" standard



Art.-No.  
**195 400 001**

### Working element "PAGANO" with laser guidance



Art.-No.  
195 400 100

**Loop electrode "PAGANO" bent**  
Size 1



Art.-No.  
195 400 101

**Loop electrode "PAGANO" bent**  
Size 2



Art.-No.  
195 400 110

**Urethrotomie knife "PAGANO"**  
cold cutting



Company

Optics

Cystoscopy

**Resectoscopy**

Accessories  
for urology

Urethrotomy

Uretero-  
Renoscopy

Pediatric  
Urology

Lithotripsy

Nephroscopy

Sterilization and  
maintenance

## Supra-pubic aspiration set

Art.-No.  
**195 200 200**

**Complete supra-pubic trocar** including  
16Fr. supra-pubic trocar sleeve ref. 195 200 220  
and trocar with pyramidal tip ref. 195 200 210



Art.-No.  
**195 200 210**

**Trocar with pyramidal tip**



Art.-No.  
**195 200 220**

**16 Fr. trocar sleeve for supra-pubic aspiration set**



Art.-No.  
**195 200 230**

**5,5mm aspiration cannula**



Art.-No.  
**195 200 270**

**4,5mm aspiration cannula**



Art.-No.  
**195 200 260**

**Stabilisation disc with lateral opening**



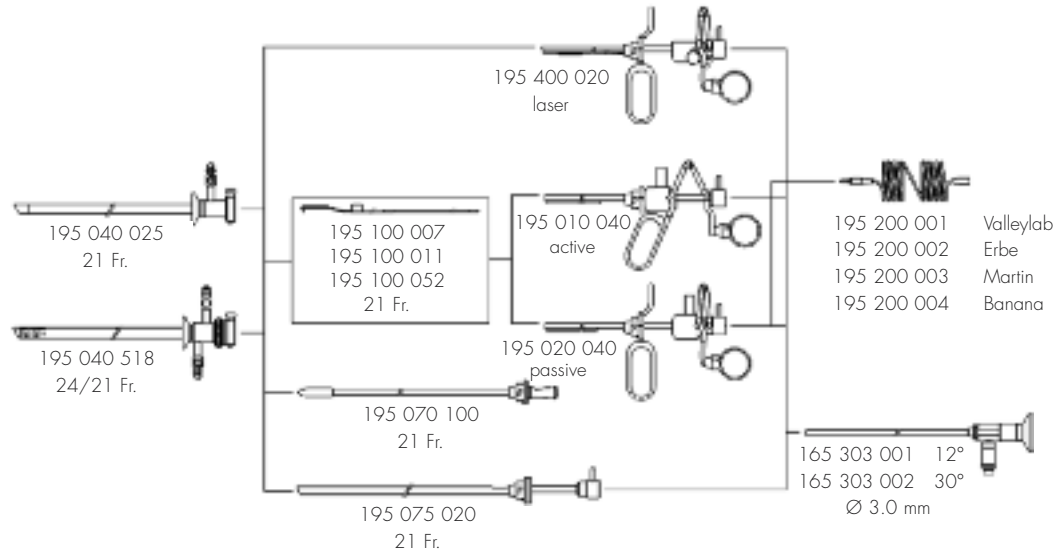
Art.-No.  
**195 200 250**

**Guide sleeve with lateral opening**  
to use for catheter insertion

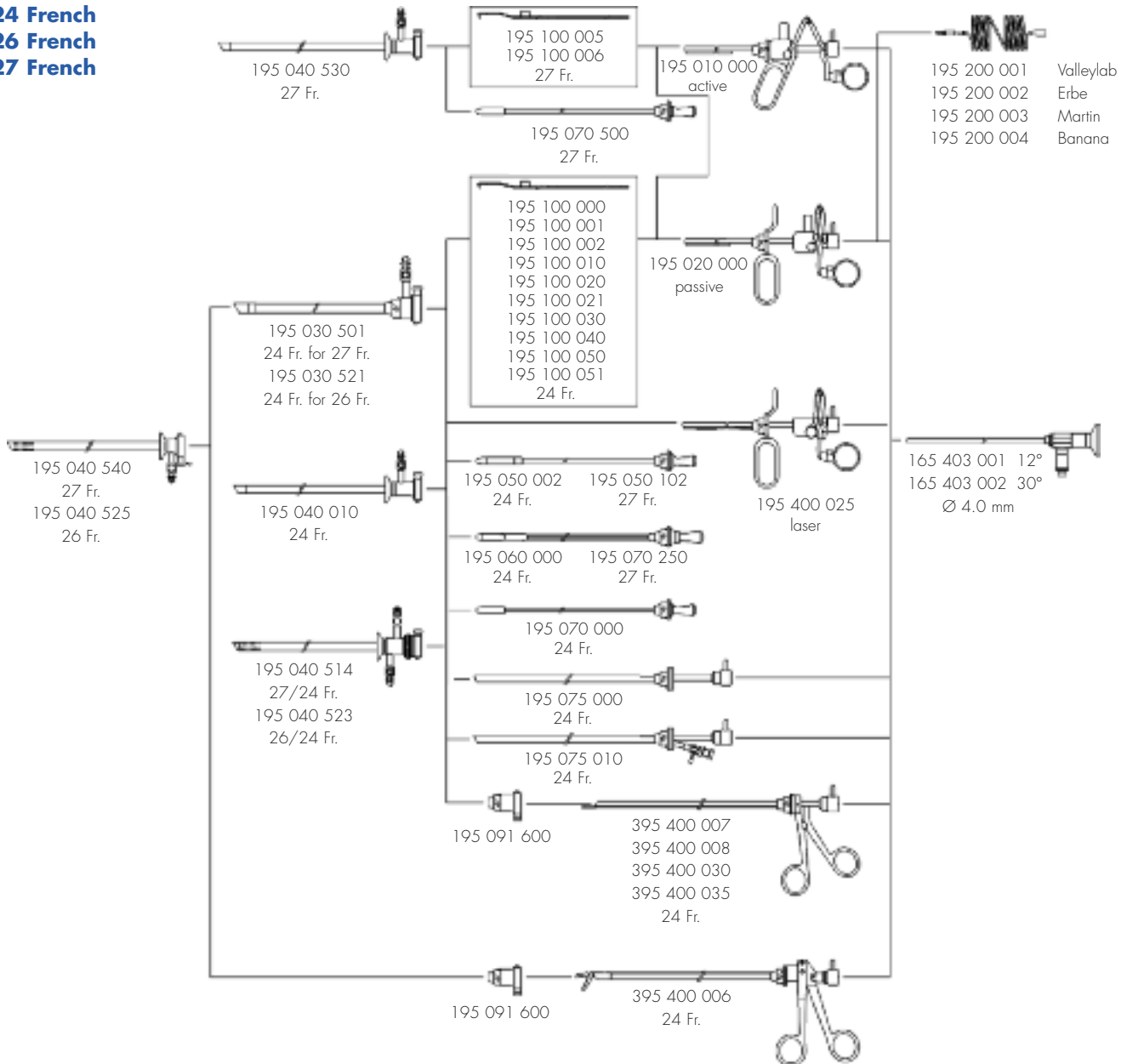


## Quick-Lock overview

**21 French**  
**24 French**



**24 French**  
**26 French**  
**27 French**



Company

Optics

Cystoscopy

Resectoscopy

Accessories for urology

Urethrotomy

Uretero-Renoscapy

Pediatric Urology

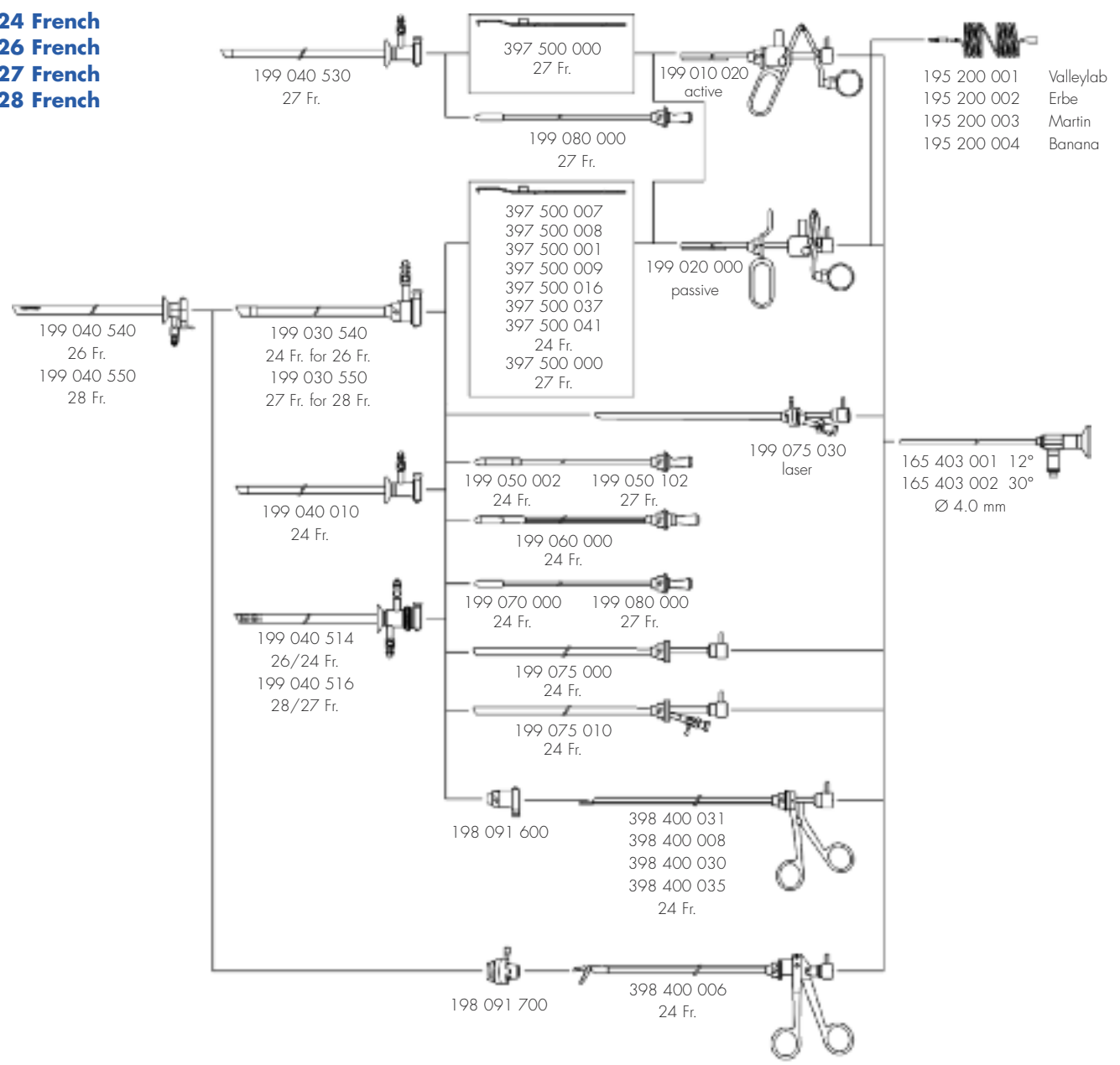
Lithotripsy

Nephroscopy

Sterilization and maintenance

## SC series overview

**24 French**  
**26 French**  
**27 French**  
**28 French**







SOPRO  
COMEG

The logo features the words "SOPRO" and "COMEG" stacked vertically in a bold, sans-serif font. "SOPRO" is rendered in a light green color, while "COMEG" is in a light blue color. The text is centered between two large, curved swooshes that originate from the left and right sides and curve inward towards the text, creating a sense of motion and framing.

The logo features two curved, swoosh-like shapes. The top swoosh is light green and curves from the right side towards the center. The bottom swoosh is light blue and curves from the left side towards the center. The text 'SOPRO' and 'COMEG' is centered between these two swooshes.

SOPRO  
COMEG



## **5 • ACCESSORIES FOR UROLOGY**

Bougies	p76
Orifice stretcher and ruler	p77
Accessorie	p77
Quick-Lock accessories	p78
SC series accessories	p79
Adapters	p80
Light cables and connectors	p81

## Bougies



Art.-No.  
**395 410 007**

**9 Fr. bougie with channel, straight**  
for 5Fr. probes  
for male urethra

Art.-No.  
**395 410 008**

**10,5 Fr. bougie with channel, straight**  
for 5Fr. probes  
for male urethra

Art.-No.  
**395 410 009**

**12 Fr. bougie with channel, straight**  
for 5Fr. probes  
for male urethra

Art.-No.  
**395 410 010**

**13,5 Fr. bougie with channel, straight**  
for 5Fr. probes  
for male urethra

Art.-No.  
**395 410 011**

**15 Fr. bougie with channel, straight**  
for 5Fr. probes  
for male urethra

Art.-No.  
**395 410 012**

**16,5 Fr. bougie with channel, straight**  
for 5Fr. probes  
for male urethra

Art.-No.  
**395 410 013**

**18 Fr. bougie with channel, straight**  
for 5Fr. probes  
for male urethra

Art.-No.  
**395 410 014**

**19,5 Fr. bougie with channel, straight**  
for 5Fr. probes  
for male urethra

Art.-No.  
**395 410 015**

**21 Fr. bougie with channel, straight**  
for 5Fr. probes  
for male urethra

Art.-No.  
**395 410 016**

**22,5 Fr. bougie with channel, straight**  
for 5Fr. probes  
for male urethra

Art.-No.  
**395 410 017**

**24 Fr. bougie with channel, straight**  
for 5Fr. probes  
for male urethra

Art.-No.  
**395 410 018**

**25,5 Fr. bougie with channel, straight**  
for 5Fr. probes  
for male urethra

Art.-No.  
**395 410 019**

**27 Fr. bougie with channel, straight**  
for 5Fr. probes  
for male urethra

Art.-No.  
**395 410 020**

**28,5 Fr. bougie with channel, straight**  
for 5Fr. probes  
for male urethra

## Bougies

Art.-No.  
395 410 004

**Bougies à boule 9-12-15-18 Fr.**  
for female urethra



Art.-No.  
395 410 005

**Bougies à boule 21-24-27-30 Fr.**  
for female urethra



## Orifice stretcher and ruler

Art.-No.  
395 410 001

**Orifice stretcher and ruler, graduated**  
Size 10,5 – 16,5 Fr.



Art.-No.  
395 410 002

**Orifice stretcher and ruler, graduated**  
Size 16,5 – 22,5 Fr.



Art.-No.  
395 410 003

**Orifice stretcher and ruler, graduated**  
Size 22,5 – 28,5 Fr.



## Accessorie

Art.-No.  
395 410 006

**Insertion mandrel, for catheters**



## Quick-Lock accessories

Art.-No.  
**195 090 500**

**Evacuator "Ellik" with SOPRO-COMEG adaptor**



Art.-No.  
**195 090 000**

**RECORD-syringe with SOPRO-COMEG adaptor**  
75 ml



Art.-No.  
**195 090 100**

**RECORD-syringe with SOPRO-COMEG adaptor**  
100 ml

Art.-No.  
**195 090 200**

**RECORD-syringe with SOPRO-COMEG adaptor**  
150 ml

Art.-No.  
**195 090 300**

**75ml glass cylinder**  
for syringe ref. 195 090 000 or 199 090 000



Art.-No.  
**195 090 301**

**100ml glass cylinder**  
for syringe ref. 195 090 100 or 199 090 100

Art.-No.  
**195 090 302**

**150ml glass cylinder**  
for syringe ref. 195 090 200 or 199 090 200

## SC series accessories

Art.-No.  
**199 090 500**

**Evacuator "Ellik" with SC series adaptor**



Art.-No.  
**199 090 000**

**RECORD-syringe with SC series adaptor**  
75 ml



Art.-No.  
**199 090 100**

**RECORD-syringe with SC series adaptor**  
100 ml

Art.-No.  
**199 090 200**

**RECORD-syringe with SC series adaptor**  
150 ml

## Adapters

Art.-No.  
**195 091 001**

**Quick-Lock adapter with safety lock mechanism**



Art.-No.  
**199 091 000**

**SC series adapter for RECORD serynge**



Art.-No.  
**394 000 000**

**Luer-lock tube connector, male**  
tube diameter 9mm



Art.-No.  
**394 000 001**

**Luer-lock connector with stopcock, dismantling**



Art.-No.  
**394 000 002**

**Catheter adapter without stopcock, Luer-lock**



Art.-No.  
**195 091 500**

**SOPRO-COMEG adaptor for evacuator**



Art.-No.  
**199 091 000**

**Quick-lock adapter for RECORD serynge**



Art.-No.  
**195 091 500**

**SOPRO-COMEG adaptor for evacuator**





## Light cables



Art.-No.  
**700067**

**3m, Ø 4.8mm, Xenon light source compatible**  
autoclavable, reinforced sheath  
Universal model delivered without connector

Art.-No.  
**700216**

**3m, Ø 3.5mm, Xenon light source compatible**  
autoclavable, reinforced sheath  
Universal model delivered without connector  
For scope diameter <4mm

Art.-No.  
**700214**

**3m, Ø 2.5mm, Xenon light source compatible**  
autoclavable, reinforced sheath  
Universal model delivered without connector  
For scope diameter <4mm

Art.-No.  
**700205**

**2.50m, Ø 4.8mm, Xenon light source compatible**  
autoclavable, reinforced sheath  
Universal model delivered without connector

Art.-No.  
**700060**

**2.30m, Ø 4.8mm, Xenon light source compatible**  
autoclavable, reinforced sheath  
Universal model delivered without connector

Art.-No.  
**700215**

**2.30m, Ø 3.5mm, Xenon light source compatible**  
autoclavable, reinforced sheath  
Universal model delivered without connector  
For scope diameter <4mm

Art.-No.  
**700213**

**2.30m, Ø 2.5mm, Xenon light source compatible**  
autoclavable, reinforced sheath  
Universal model delivered without connector  
For scope diameter <4mm

Art.-No.  
**700217**

**1.80m, Ø 4.8mm, Xenon light source compatible**  
autoclavable, reinforced sheath  
Universal model delivered without connector

Art.-No.  
**700068**

**1.80m, Ø 3.5mm, Xenon light source compatible**  
autoclavable, reinforced sheath  
Universal model delivered without connector  
For scope diameter <4mm

Art.-No.  
**700212**

**1.8m, Ø 2.5mm, Xenon light source compatible**  
autoclavable, reinforced sheath  
Universal model delivered without connector  
For scope diameter <4mm

Company  
Optics  
Cystoscopy  
Resectoscopy  
Accessories for urologie  
Urethrotomy  
Uretero-  
Renoscopy  
Pediatric  
Urology  
Lithotripsy  
Nephroscopy  
Sterilization and  
maintenance

## Endoscope side connectors

Art.-No.  
**700051**  
**Storz/Olympus**



Art.-No.  
**700043**  
**Wolf/S&N**



Art.-No.  
**700048**  
**Acmi/Stryker**



## Light source side connectors

Art.-No.  
**700044**  
**Storz**



Art.-No.  
**700045**  
**Olympus**



Art.-No.  
**700046**  
**Wolf/S&N**



Art.-No.  
**700047**  
**Acmi/Stryker**

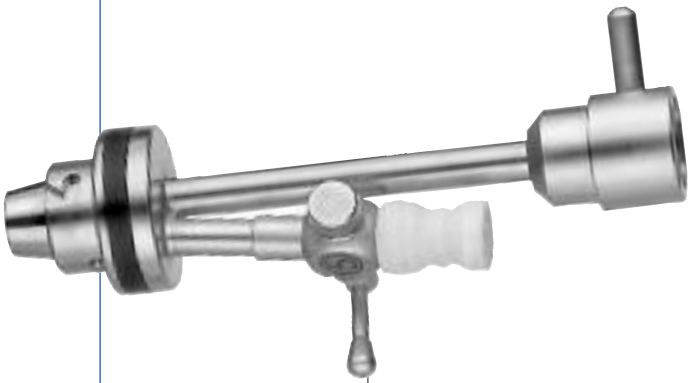


The logo features two curved, swoosh-like shapes. The top swoosh is light green and curves from the right side towards the center. The bottom swoosh is light blue and curves from the left side towards the center. The text 'SOPRO' and 'COMEG' is centered between these two swooshes.

**SOPRO**  
**COMEG**

The logo consists of two curved, swoosh-like shapes. The top swoosh is light green and curves from the right side towards the center. The bottom swoosh is light blue and curves from the left side towards the center. The text 'SOPRO' and 'COMEG' is centered between these two swooshes.

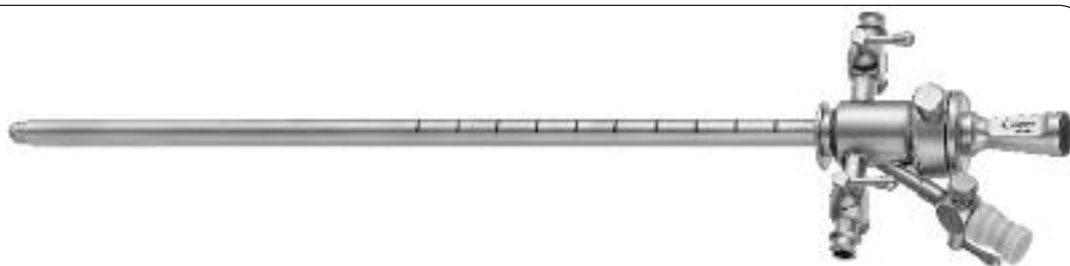
SOPRO  
COMEG



## **6 • URETHROTOMY**

Optical urethrotomes . . . . .	p86
OTIS urethrotome . . . . .	p90
HF - resectoscope urethrotome . . . . .	p91
Overview . . . . .	p93

## Optical urethrotome with Quick-Lock connecting system



Art.-No.  
**195 110 050**

### 21 Fr. Quick-Lock urethrotomy sheath with two fix stopcock

with 5Fr. Instrument channel  
working length 224 mm  
to use with 4mm telescope 0°, ref. 165 403 000  
with Quick-Lock standard obturator ref. 195 110 060  
Color code: ■



Art.-No.  
**195 110 060**

### 21Fr. Standard obturator

with Quick-Lock connecting system for easier and quicker use  
to use with 21Fr. Quick-Lock urethrotomy sheath  
Color code: ■



Art.-No.  
**195 110 070**

### 21Fr. Semi-round guide tube

for insertion of a balloon catheter  
to use with 21Fr. Quick-Lock urethrotomy sheath



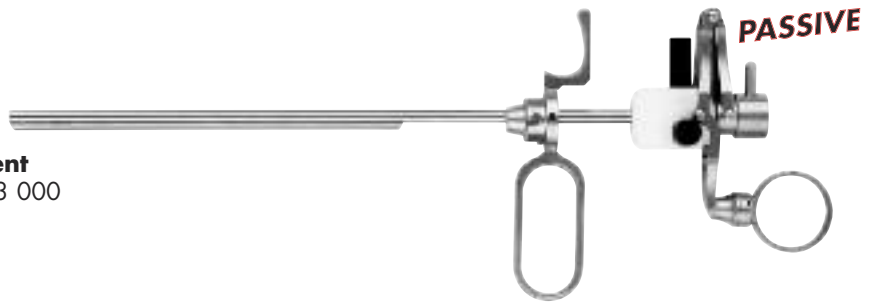
Art.-No.  
**195 110 080**

### 21Fr. Additional sheath

to use with 21Fr. Quick-Lock urethrotomy sheath

Art.-No.  
**195 020 050**

**Quick-Lock passive working element**  
to use with 4mm telescope 0° ref. 165 403 000



Art.-No.  
**195 115 200**

**Quick-Lock adapter bridge for diagnostic**  
with 5Fr. working channel  
to use with 4mm telescope 0°, ref. 165 403 000



Art.-No.  
**195 120 001**

**Quick-Lock urethrotomy knife**  
straight, cold cutting



Art.-No.  
**195 120 020**

**Quick-Lock urethrotomy knife**  
semi round, cold cutting



## Optical urethrotome with SC series connecting system

Art.-No.

**199 110 050**

### 21 Fr. SC series urethrotomy sheath with two fix stopcock

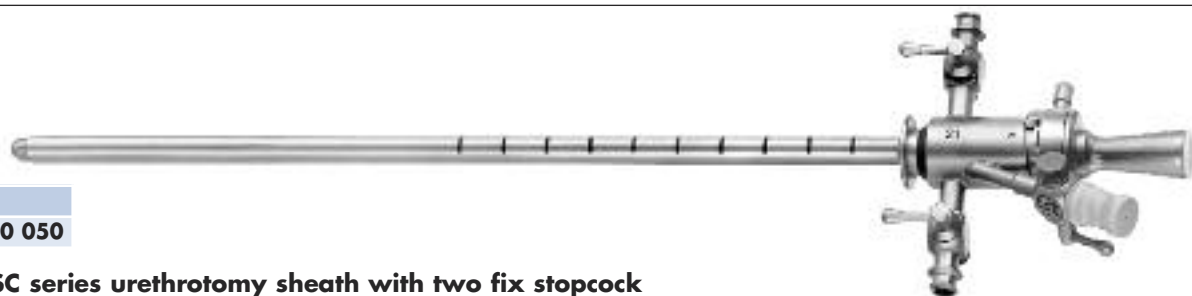
with 5Fr. Instrument channel

working length 224 mm

to use with 4mm telescope 0°, ref. 165 403 000

with SC series standard obturator ref. 199 110 060

Color code: ■



Art.-No.

**199 110 060**

### 21Fr. Standard obturator

to use with 21Fr. SC series urethrotomy sheath

Color code: ■



Art.-No.

**199 110 070**

### 21Fr. Semi-round guide tube

for insertion of a balloon catheter

to use with 21Fr. SC series urethrotomy sheath



Art.-No.

**199 110 080**

### 21Fr. Additional sheath

to use with 21Fr. SC series urethrotomy sheath







Art.-No.  
**199 020 000**

**SC series passive working element**  
to use with 4mm telescope 0° ref. 165 403 000



Art.-No.  
**199 115 200**

**SC series adapter bridge for diagnostic**  
with 5Fr. Working channel  
to use with 4mm telescope 0° ref. 165 403 000



Art.-No.  
**397 500 037**

**SC series urethrotomy knife**  
Straight, cold cutting



Art.-No.  
**397 500 038**

**SC series urethrotomy knife**  
Semi round, cold cutting

## OTIS urethrotome



Art.-No.  
**395 160 000**

**OTIS urethrotome**  
for adults with three interchangeable tips  
straight, curved, spherical



Art.-No.  
**395 160 001**

**Two spare knives for the OTIS urethrotome**

## HF - resectoscope urethrotome with Quick-Lock connecting system

According to Prof. F. Pagano



Art.-No.  
**165 293 000**

### PAGANO straight forward telescope 0°

enlarged view  
Ø 2,9mm  
length 301mm  
with rod lenses optical system  
autoclavable  
with fiber optic light transmission incorporated  
Color code: ■

Art.-No.  
**165 293 002**

### PAGANO forward oblique telescope 30°

enlarged view  
Ø 2,9mm  
length 301mm  
with rod lenses optical system  
autoclavable  
with fiber optic light transmission incorporated  
Color code: ■

Art.-No.  
**195 400 010**

### Sheath "PAGANO" 15.5 Fr.

one fix stopcock  
with ceramical tip  
including obturator "PAGANO"



Art.-No.  
**195 400 050**

### Standard obturator "PAGANO"



Art.-No.  
**195 400 000**

### Working element "PAGANO"

standard



Art.-No.  
**195 400 001**

### Working element "PAGANO"

laser with guidance



## HF - resectoscope urethrotome with Quick-Lock connecting system

Art.-No.  
**195 400 100**

**Quick-Lock loop electrode PAGANO**  
bent, size 1



Art.-No.  
**195 400 101**

**Quick-Lock loop electrode PAGANO**  
bent, size 2



Art.-No.  
**195 400 110**

**Quick-Lock PAGANO urethrotomy knife**  
straight, cold cutting



Company

Optics

Cystoscopy

Resectoscopy

Accessories  
for urology

**Urethrotomy**

Uretero-  
Renoscopy

Pediatric  
Urology

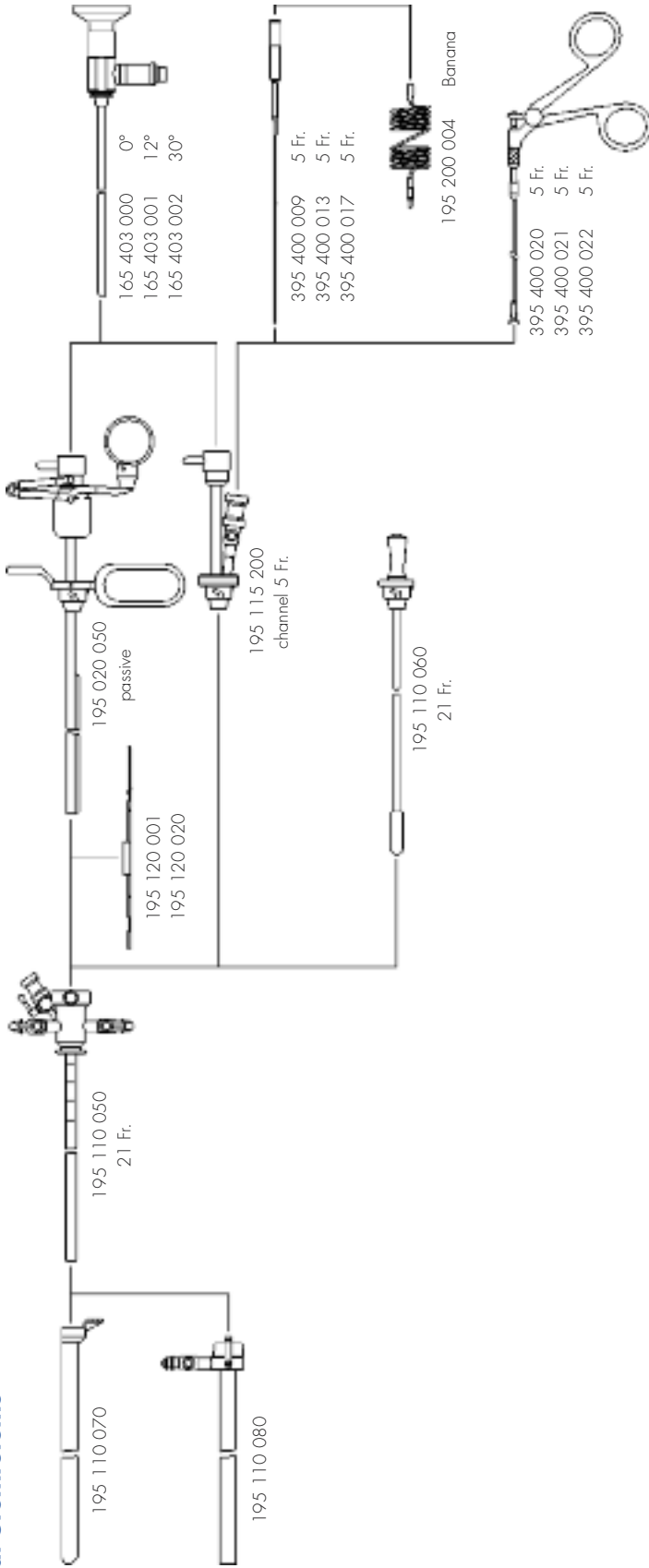
Lithotripsy

Nephroscopy

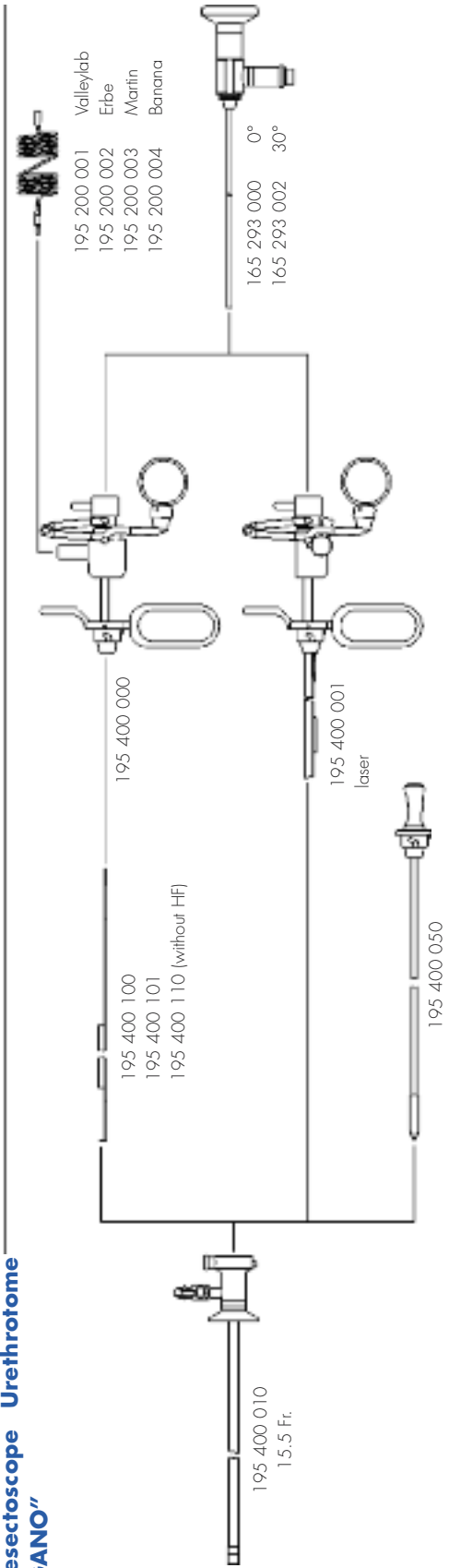
Sterilization and  
maintenance

## Overview

### Optical Urethrotome

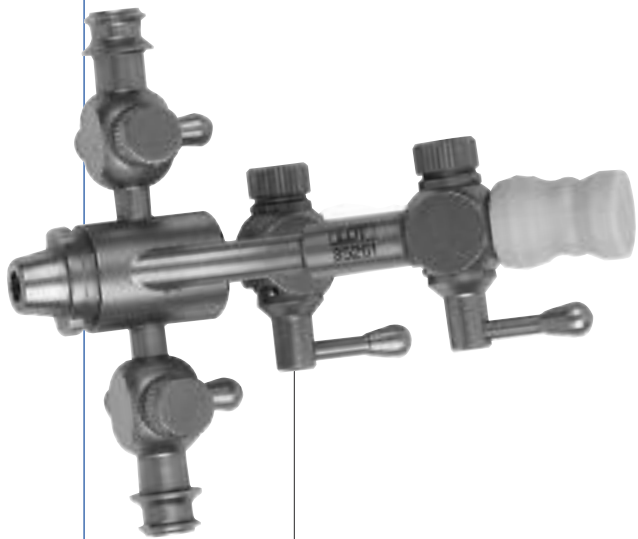


### HF-Resectoscope Urethrotome "PAGANO"





SOPRO  
COMEG



## **7 • URETERO-RENSCOPY**

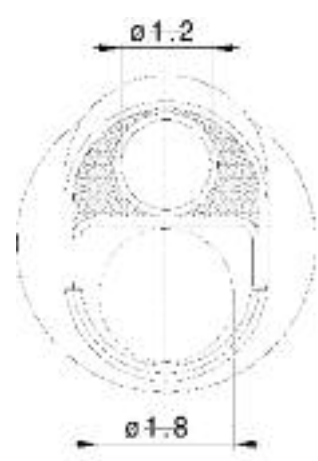
Uretero-Renoscope, Ureteroscope . . . . .	p96
Stone baskets . . . . .	p97
Flexible and rigid instrumentation . . . . .	p98


## Uretero-Renoscope, Utreteroscope

The Sopr-Comeg autoclavable Uretero-Renoscopes are using the best fiber optics technology to provide an excellent resolution. The atraumatic transition from the small to big diameter at the distal end permits a gentle insertion into ostium uteris. In addition with the stopcock input unit 477 000 385 (see page 97), the Sopr-Comeg Uretero-Renoscope is the instrument needed to perform uretero-rensoscopy in good conditions.

### Features and specifications:

- round shaped distal tip for atraumatic ostium insertion
- distal tip 8,5Fr.
- instrument sheath 11Fr.
- 4 Fr separate irrigation channel
- 6 Fr central instrument channel for use with flexible or rigid instruments up to 5Fr.
- Sopr-Comeg fiber optic technology
- direction of view 0°
- working length 425mm
- rigid angled eyepiece to ensure ergonomics when using instruments or lithotripsy probes.





Art.-No.  
**185 900 100**

**Uretero-rensoscope**  
autoclavable  
30.000 pixels resolution  
without stopcock input unit  
Color code: ■

Art.-No.  
**185 900 000**

**Uretero-rensoscope**  
autoclavable  
50.000 pixels resolution  
without stopcock input unit  
Color code: ■



Art.-No.  
**477 000 385**

**Stopcock input unit**



Art.-No.  
**195 185 900**

**Adapter for Lithoclast®**



Art.-No.  
**195 185 800**

**Adapter for Calcusplit®**



## Stone baskets

Art.-No.  
**395 400 100**

**5Fr. reusable basket for stone removal**

4 wires  
60cm working length



Art.-No.  
**395 400 101**

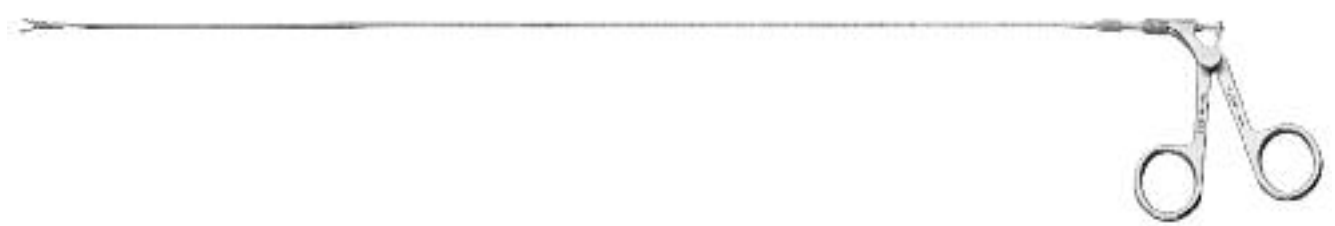
**5Fr. reusable basket for stone removal**

6 wires  
60cm working length



## Flexible and rigid instrumentation

### Flexible instrumentation



### Rigid instrumentation



Art.-No.  
**395 400 102**

**5 Fr. flexible forceps for removal of foreign body**  
double action jaws, autoclavable, flexible  
60 cm working length



Art.-No.  
**395 400 105**

**5 Fr. semi rigid forceps for removal of foreign body**  
double action jaws, autoclavable, rigid  
60 cm working length

Art.-No.  
**395 400 103**

**5 Fr. flexible biopsy forceps**  
double action jaws, autoclavable, flexible  
60 cm working length

Art.-No.  
**395 400 106**

**5 Fr. semi rigid biopsy forceps**  
double action jaws, autoclavable, rigid  
60 cm working length



Art.-No.  
**395 400 104**

**5 Fr. flexible scissors**  
single action jaws, autoclavable, flexible  
60 cm working length

Art.-No.  
**395 400 107**

**5 Fr. semi rigid scissors**  
single action jaws, autoclavable, rigid  
60 cm working length

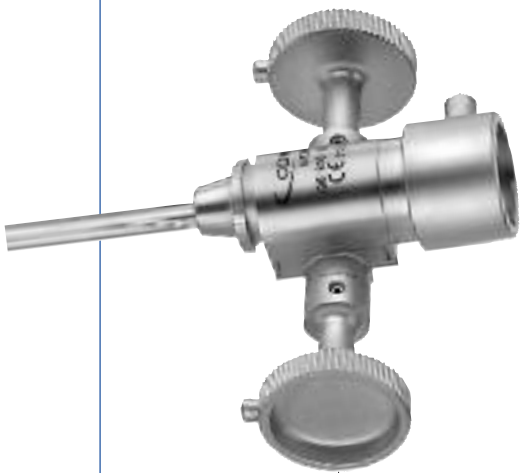


The logo features two curved, swoosh-like shapes. The top swoosh is light green and curves from the right side towards the center. The bottom swoosh is light blue and curves from the left side towards the center. The text 'SOPRO' and 'COMEG' is centered between these two swooshes.

**SOPRO**  
**COMEG**



SOPRO  
COMEG



## **8 • PEDIATRIC UROLOGY**

Pediatric urology . . . . .	p102
Pediatric cystoscopy . . . . .	p103
Pediatric resectoscopy . . . . .	p105
High Frequency electrodes . . . . .	p106
Monopolar High Frequency cable . . . . .	p107
Pediatric urethrotomy . . . . .	p108
Overview . . . . .	p110

Pediatric urology

Art.-No.  
**165 211 870**



**Infant straight forward telescope 0°** 

enlarged view  
 Ø 1.9/ 2.1 mm  
 length 186 mm  
 with rod lenses optical system  
 autoclavable  
 with fiber optic light transmission incorporated for use with Working element Art.-No.196 810 000  
 Color code: ■

Art.-No.  
**165 271 870**



**Miniature straight forward telescope 0°** 

enlarged view  
 Ø 2,7mm  
 length 186mm  
 with rod lenses optical system  
 autoclavable  
 with fiber optic light transmission incorporated  
 Color code: ■

Art.-No.  
**165 271 872**

**Miniature forward oblique telescope 30°** 

enlarged view  
 Ø 2,7mm  
 length 187mm  
 with rod lenses optical system  
 autoclavable  
 with fiber optic light transmission incorporated  
 Color code: ■

Art.-No.  
**165 271 875**

**Miniature lateral telescope 70°** 

enlarged view  
 Ø 2,7mm  
 length 188mm  
 with rod lenses optical system  
 autoclavable  
 with fiber optic light transmission incorporated  
 Color code: ■

**Pediatric cystoscopy**

Art.-No.  
**196 800 101**

**11 Fr. Infant cystoscopy sheath with two fix stopcock**

with 3 Fr. instrument channel  
working length 224 mm  
to use with 1.8/2.1 mm telescope 0°, ref. 165 211 870  
with standard obturator ref. 196 810 111

Art.-No.  
**196 800 100**

**13.5 Fr. Pediatric cystoscopy sheath with two fix stopcock**

with 3 Fr. instrument channel  
working length 224 mm  
to use with 2.7mm telescope 30°&70°, ref. 165 271 872 & 165 271 875  
with standard obturator ref. 196 810 110



Art.-No.  
**196 810 111**

**11 Fr. Infant standard obturator**

to use with 11Fr. infant cystoscopy sheath

Art.-No.  
**196 810 110**

**13.5 Fr. Pediatric standard obturator**

to use with 13.5Fr. pediatric cystoscopy sheath



Art.-No.  
**196 810 000**

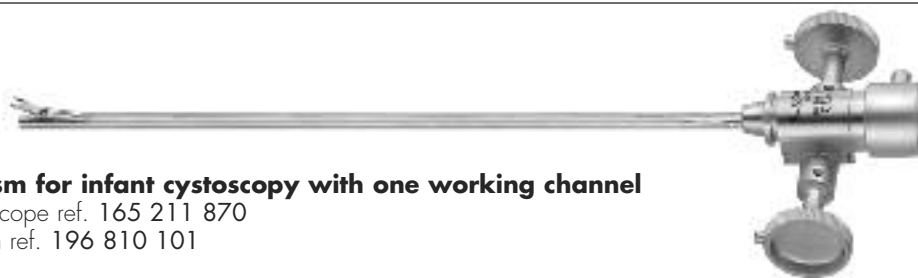
**Albarran deflector mechanism for infant cystoscopy with one working channel**

to use with 1.9/2.1 mm infant telescope ref. 165 211 870  
to use with infant cystoscopy sheath ref. 196 810 101

Art.-No.  
**196 800 000**

**Albarran deflector mechanism for pediatric cystoscopy with one working channel**

to use with 2.7mm pediatric telescope ref. 165 271 872 & 167 271 875  
to use with pediatric cystoscopy sheath ref. 196 800 100



Company

Optics

Cystoscopy

Resectoscopy

Accessories  
for urology

Urethrotomy

Uretero-  
Renoscopy

Pediatric  
Urology

Lithotripsy

Nephroscopy

Sterilization and  
maintenance

**Pediatric cystoscopy**

Art.-No.  
**196 810 150**

**Infant adapter bridge for diagnostic**  
to use with 1.9/2.1mm infant telescope ref. 165 211 870  
to use with infant cystoscopy sheaths ref. 196 810 101



Art.-No.  
**196 800 150**

**Pediatric adapter bridge for diagnostic**  
to use with 2.7mm pediatric telescope ref. 165 271 872 & 167 271 875  
to use with pediatric cystoscopy sheath ref. 196 800 100

**Flexible instrumentation**



Art.-No.  
**395 800 001**

**3 Fr. flexible forceps for removal of foreign body**  
double action jaws, autoclavable  
30 cm working length



Art.-No.  
**395 800 002**

**3 Fr. flexible biopsy forceps**  
double action jaws, autoclavable  
30 cm working length





**Pediatric resectoscopy**

Art.-No.  
**195 800 000**

**Infant and pediatric passive working element**  
to use with 1.8/2.1mm telescope 0°, ref. 165 211 870  
and 2.7mm telescope 0°, ref. 165 271 870  
to use with infant and pediatric resectoscopy sheath



Art.-No.  
**195 810 101**

**11 Fr. Infant resectoscopy sheath with one fix stopcock**  
working length 224 mm  
to use with 1.8/2.1mm telescope 0°, ref. 165 211 870  
with standard obturator ref. 196 810 111



Art.-No.  
**196 800 100**

**13.5 Fr. Pediatric resectoscopy sheath with one fix stopcock**  
working length 224 mm  
to use with 2.7mm telescope 0°, ref. 165 271 870  
with standard obturator ref. 196 800 110

Art.-No.  
**195 810 111**

**11Fr. Infant standard obturator**  
to use with 11Fr. infant resectoscopy sheath



Art.-No.  
**195 800 110**

**13.5Fr. Pediatric standard obturator**  
to use with 13.5Fr. pediatric resectoscopy sheath

Company

Optics

Cystoscopy

Resectoscopy

Accessories  
for urology

Urethrotomy

Uretero-  
Rescopy

Pediatric  
Urology


Lithotripsy


Nephroscopy


Sterilization and  
maintenance


Company  
Optics  
Cystoscopy  
Resectoscopy  
Accessories for urology  
Urethrotomy  
Uretero-Rescopy  
Pediatric Urology  
Lithotripsy  
Nephroscopy  
Sterilization and maintenance

**One stem High Frequency electrodes with stabilizer**

<p>Art.-No. <b>195 800 120</b></p> <p><b>Loop, dented, 13.5 Fr.</b> Size 1</p>	<p>Art.-No. <b>195 810 120</b></p> <p><b>Loop, dented, 11Fr.</b> Size 1</p>	
--	---	--

<p>Art.-No. <b>195 800 130</b></p> <p><b>Loop, dented, 13.5 Fr.</b> Size 2</p>	<p>Art.-No. <b>195 810 130</b></p> <p><b>Loop, dented, 11 Fr.</b> Size 2</p>	
--	--	--

<p>Art.-No. <b>195 800 140</b></p> <p><b>Knife, 13.5 Fr.</b></p>	<p>Art.-No. <b>195 810 140</b></p> <p><b>Knife, 11 Fr.</b></p>	
--	--	--

<p>Art.-No. <b>195 800 150</b></p> <p><b>Ball, 13.5 Fr.</b></p>	<p>Art.-No. <b>195 810 150</b></p> <p><b>Ball, 11 Fr.</b></p>	
---	---	--

**Monopolar High Frequency cable**

Art.-No.  
**195 200 001**

**Monopolar high frequency cable**

300 cm length  
for Sopro-Comeg monopolar electrodes and monopolar resection working element  
with 8 mm banana plug  
to connect with electro surgery units model Valleylab and Karl Storz



Art.-No.  
**195 200 002**

**Monopolar high frequency cable**

300 cm length  
for Sopro-Comeg monopolar electrodes and monopolar resection working element  
with 5 mm plug  
to connect with electro surgery units model Karl Storz and Erbe ACC/ICC



Art.-No.  
**195 200 003**

**Monopolar high frequency cable**

300 cm length  
for Sopro-Comeg monopolar electrodes and monopolar resection working element  
with 4 mm plug  
to connect with electro surgery units model Martin, Berchtold and Aesculap



Art.-No.  
**195 200 004**

**Monopolar high frequency cable**

300 cm length  
for Sopro-Comeg monopolar electrodes and monopolar resection working element  
with 4 mm banana plug  
to connect with electro surgery units model Martin, Berchtold, Erbe T serie and others



Company

Optics

Cystoscopy

Resectoscopy

Accessories  
for urology

Urethrotomy

Uretero-  
Renoscopy

Pediatric  
Urology

Lithotripsy

Nephroscopy

Sterilization and  
maintenance

**Pediatric urethrotomy with Quick-Lock connecting system**

Art.-No.  
**195 810 000**

**Infant and pediatric Quick-Lock passive working element**

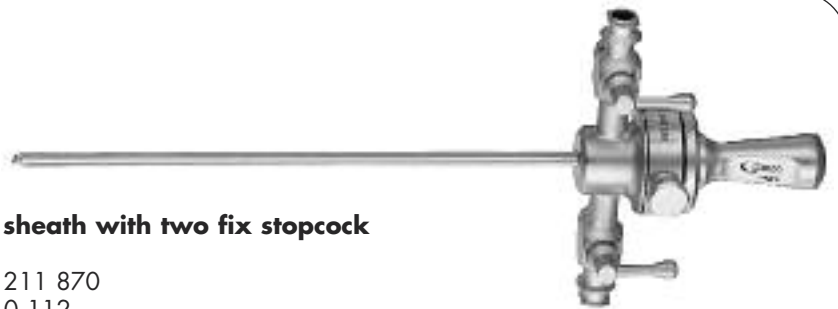
to use with 1.8/2.1mm telescope 0°, ref 165 211 870  
and 2.7mm telescope 0°, ref 165 271 870  
to use with 10 Fr. infant Quick-Lock urethrotomy sheath



Art.-No.  
**195 810 102**

**10 Fr. Quick-Lock infant urethrotomy sheath with two fix stopcock**

working length 224 mm  
to use with 1.9/2.1mm telescope 0°, ref 165 211 870  
with Quick-Lock standard obturator ref. 195 810 112



Art.-No.  
**195 810 112**

**10Fr. Infant standard obturator**

with Quick-Lock connecting system for easier and quicker use  
to use with 10Fr. Quick-Lock infant urethrotomy sheath



Art.-No.  
**195 810 103**

**Pediatric Quick-Lock adapter bridge for diagnostic**

with 3Fr. working channel  
to use with 2.7mm telescope 0°, ref 165 271 870  
to use with Quick-Lock infant urethrotomy sheaths



Company

Optics

Cystoscopy

Resectoscopy

Accessories for urology

Urethrotomy

Uretero-Renoscropy

Pediatric Urology

Lithotripsy


Nephroscopy

Sterilization and maintenance

**Pediatric urethrotomy with Quick-Lock connecting system**

Art.-No.  
**195 810 121**

**Knife, straight, cold cutting**




Art.-No.  
**195 810 122**

**Knife, semi-round, cold cutting**



Art.-No.  
**195 810 123**

**Knife, sickle shaped, cold cutting**



Company

Optics

Cystoscopy

Resectoscopy

Accessories  
for urology

Urethrotomy

Uretero-  
Renoscopy

**Pediatric  
Urology**

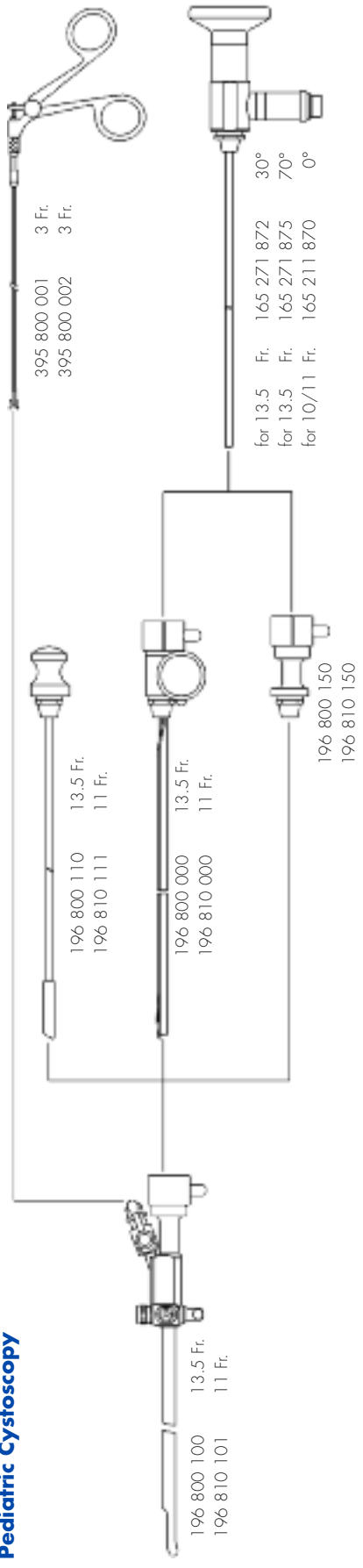
Lithotripsy

Nephroscopy

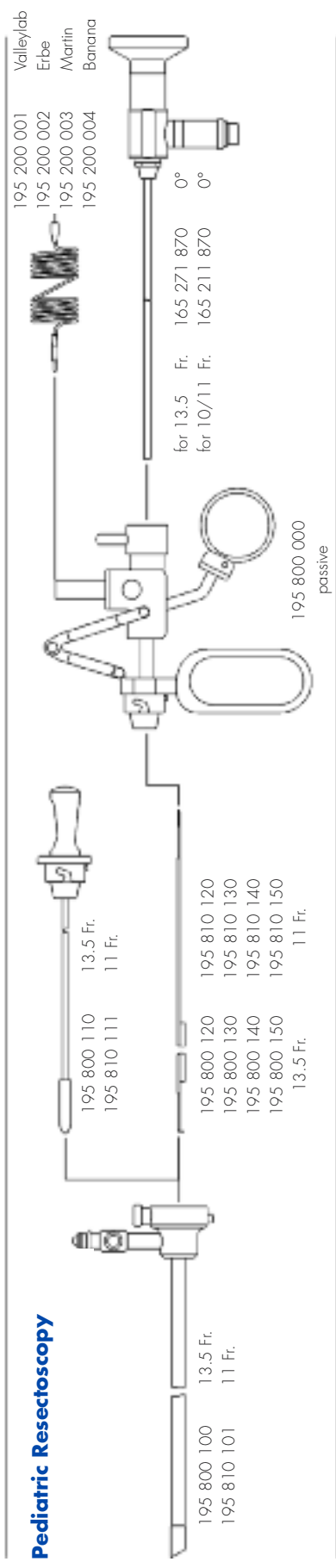
Sterilization and  
maintenance

Overview

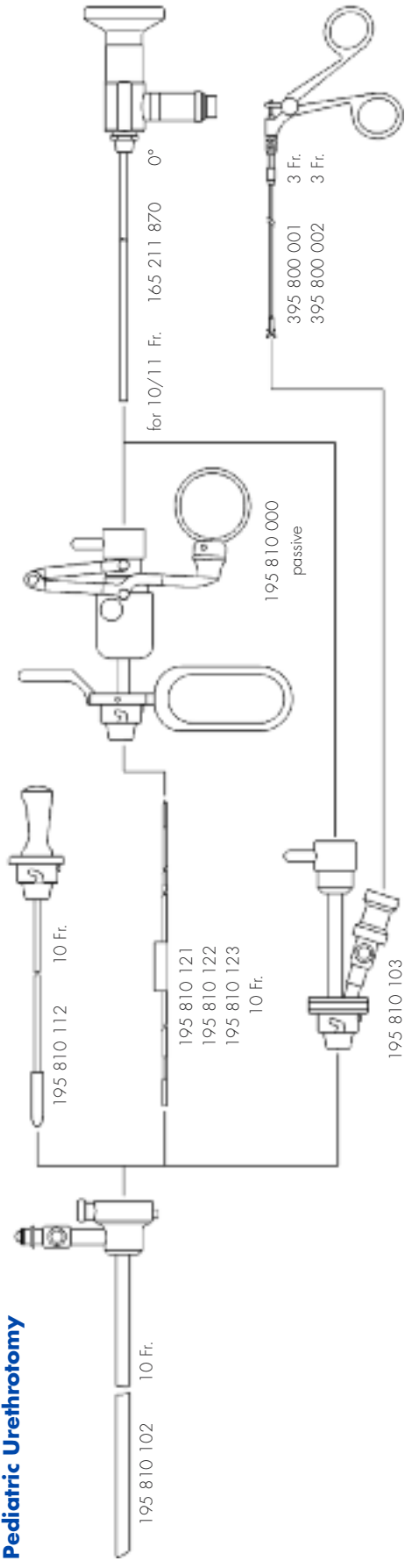
**Pediatric Cystoscopy**



**Pediatric Resectoscopy**



**Pediatric Urethrotomy**





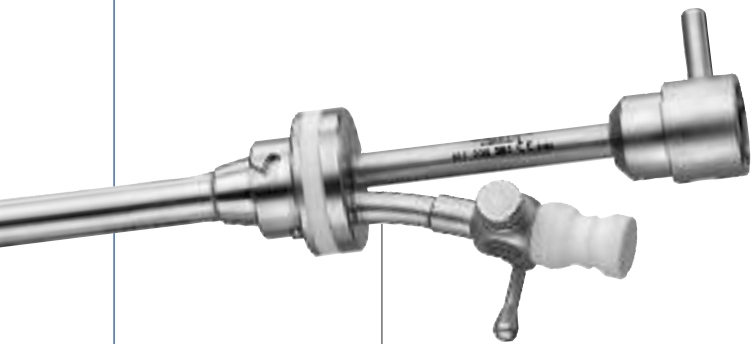
SOPRO  
COMEG

The logo features the words "SOPRO" and "COMEG" stacked vertically in a bold, sans-serif font. "SOPRO" is rendered in a light green color, while "COMEG" is in a light blue color. The text is centered between two large, curved swooshes that originate from the left and right sides, respectively, and curve inward to frame the text. The top swoosh is light green and the bottom swoosh is light blue.



SOPRO  
COMEG





## **9 • LITHOTRIPSY**

Telescopes and working element . . . . .	p114
Sheath and obturators . . . . .	p115

## Telescopes and working element

Bigger stones can be smashed with the stone punch to pieces easily removable by suction.



Art.-No.  
**165 403 000**

### Straight forward telescope 0°

enlarged view  
Ø 4mm  
length 301mm  
with rod lenses optical system  
autoclavable  
with fiber optic light transmission incorporated  
Color code: ■

Art.-No.  
**165 403 002**

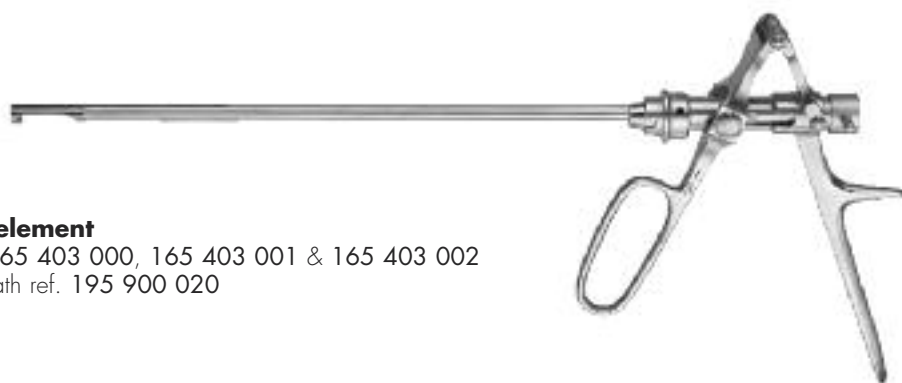
### Forward oblique telescope 30°

enlarged view  
Ø 4mm  
length 301mm  
with rod lenses optical system  
autoclavable  
with fiber optic light transmission incorporated  
Color code: ■

Art.-No.  
**165 403 001**

### Straight forward telescope 12°

enlarged view  
Ø 4mm  
length 301mm  
with rod lenses optical system  
autoclavable  
with fiber optic light transmission incorporated  
Color code: ■



Art.-No.  
**195 900 000**

### Quick-Lock passive working element

to use with 4mm telescope 0°, ref. 165 403 000, 165 403 001 & 165 403 002  
to use with Quick-Lock lithotripsy sheath ref. 195 900 020

## Sheath and obturators

Art.-No.

**195 900 020****25 Fr. Quick-Lock lithotripsy sheath with two fix stopcock**

working length 224 mm

to use with 4mm telescope 0°, ref. 165 403 000, 165 403 001 &amp; 165 403 002

with Quick-Lock standard obturator ref. 195 900 070

Color code: □



Art.-No.

**195 900 070****25Fr. standard obturator**

with Quick-Lock connecting system for easier and quicker use

to use with 25Fr. Quick-Lock lithotripsy sheath ref. 195 900 020

Color code: ■



Art.-No.

**195 900 050****25Fr. visual obturator**

with Quick-Lock connecting system for easier and quicker use

with 7Fr. Workink channel

to use with 25Fr. Quick-Lock lithotripsy sheath ref. 195 900 020

Color code: □



The logo features two curved, swoosh-like shapes. The top swoosh is light green and curves from the right side towards the center. The bottom swoosh is light blue and curves from the left side towards the center. The text 'SOPRO' and 'COMEG' is centered between these two swooshes.

SOPRO  
COMEG



## **10 • NEPHROSCOPY**

Nephroscopes . . . . .	p118
Rigid instrumentation . . . . .	p120

## Nephroscopes



Art.-No.

**165 800 000**

### Straight forward nephroscope 0°, with parallel eyepiece

8,3mm x 6mm outer size, length 222mm  
with rod lenses optical system  
autoclavable, with fiber optic light transmission incorporated  
with 13Fr. working channel  
with Quick-Lock connection for use with Quick-Lock inflow sheath  
Color code: ■

Art.-No.

**165 800 002**

### Oblique forward nephroscope 25°, with parallel eyepiece

8,3mm x 6mm outer size, length 226mm  
with rod lenses optical system  
autoclavable, with fiber optic light transmission incorporated  
with 13Fr. working channel  
with Quick-Lock connection for use with Quick-Lock inflow sheath  
Color code: ■

Art.-No.

**165 800 630**

### Straight forward nephroscope 0°, with parallel eyepiece

8,3mm x 5,25mm outer size, length 264mm  
with rod lenses optical system  
autoclavable, with fiber optic light transmission incorporated  
with 15Fr. working channel  
with Quick-Lock connection for use with Quick-Lock inflow sheath  
Color code: ■

Art.-No.

**195 800 060**

### Quick-Lock Nephroscope adapter bridge for diagnostic

to use nephroscope ref. 165 800 630  
with nephroscopy sheath ref. 195 800 030



## Nephroscopes

Art.-No.  
**195 800 030**



**27 Fr. Quick-Lock nephroscopy sheath with one rotatable stopcock**

working length 224 mm  
to use with nephroscope 0° ref. 165 800 000 & 165 800 630  
with Quick-Lock standard obturator ref. 195 800 020  
Color code: ■

Art.-No.  
**195 800 010**

**27 Fr. Quick-Lock nephroscopy sheath with one rotatable stopcock**

working length 224 mm  
to use with nephroscope 25 ° ref. 165 800 002  
with Quick-Lock standard obturator ref. 195 800 020  
Color code: ■

Art.-No.  
**195 800 020**



**27Fr. Nephroscopy standard obturator**

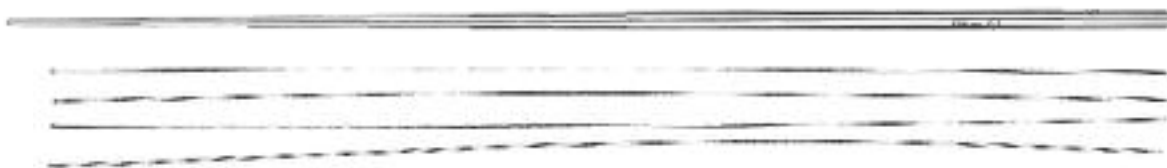
with 3Fr. Working channel  
with Quick-Lock connecting system for easier and quicker use  
to use with 27Fr. Quick-Lock nephroscopy sheath  
Color code: ■

Art.-No.  
**195 800 040**



**Laserguide**

Art.-No.  
**195 800 050**



**Dilation set**  
8 tubes from 9 to 30 Fr  
2 flexibles and 2 rigid quidewires

Company  
Optics  
Cystoscopy  
Resectoscopy  
Accessories for urology  
Urethrotomy  
Uretero-Resoscopy  
Pediatric Urology  
Lithotripsy  
Nephroscopy  
Sterilization and maintenance

## Rigid instrumentation



Art.-No.  
**395 700 000**

### 9 Fr. Rigid grasping forceps for removal of stone fragments

double action jaws, fenestrated, autoclavable  
irrigation port in tube metal handle  
30 cm working length



Art.-No.  
**395 700 010**

### 9 Fr. Rigid grasping forceps for removal of stone fragments

double action jaws, slim and curved  
autoclavable  
irrigation port in tube metal handle  
30 cm working length



Art.-No.  
**395 700 020**

### 9 Fr. Rigid micro scissors

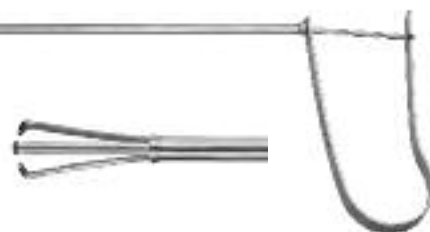
single action jaws, straight  
autoclavable  
cut 3.5mm, metal handle  
30 cm working length



Art.-No.  
**395 700 030**

### 9 Fr. Triradiate grasper for large stone fragments

Jaws with fixation spikes, straight  
U-spring handle, autoclavable  
30 cm working length



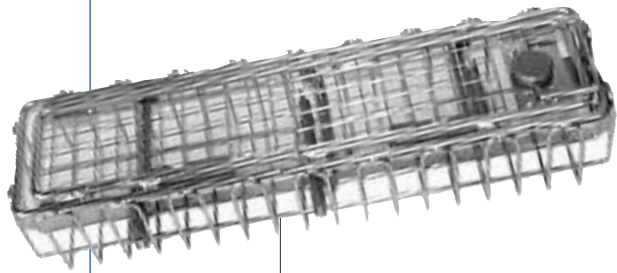


The logo features two large, curved swooshes. The top swoosh is light green and curves from the right side towards the center. The bottom swoosh is light blue and curves from the left side towards the center. The text 'SOPRO' is positioned above 'COMEG', both centered between the swooshes.

**SOPRO**  
**COMEG**



SOPRO  
COMEG



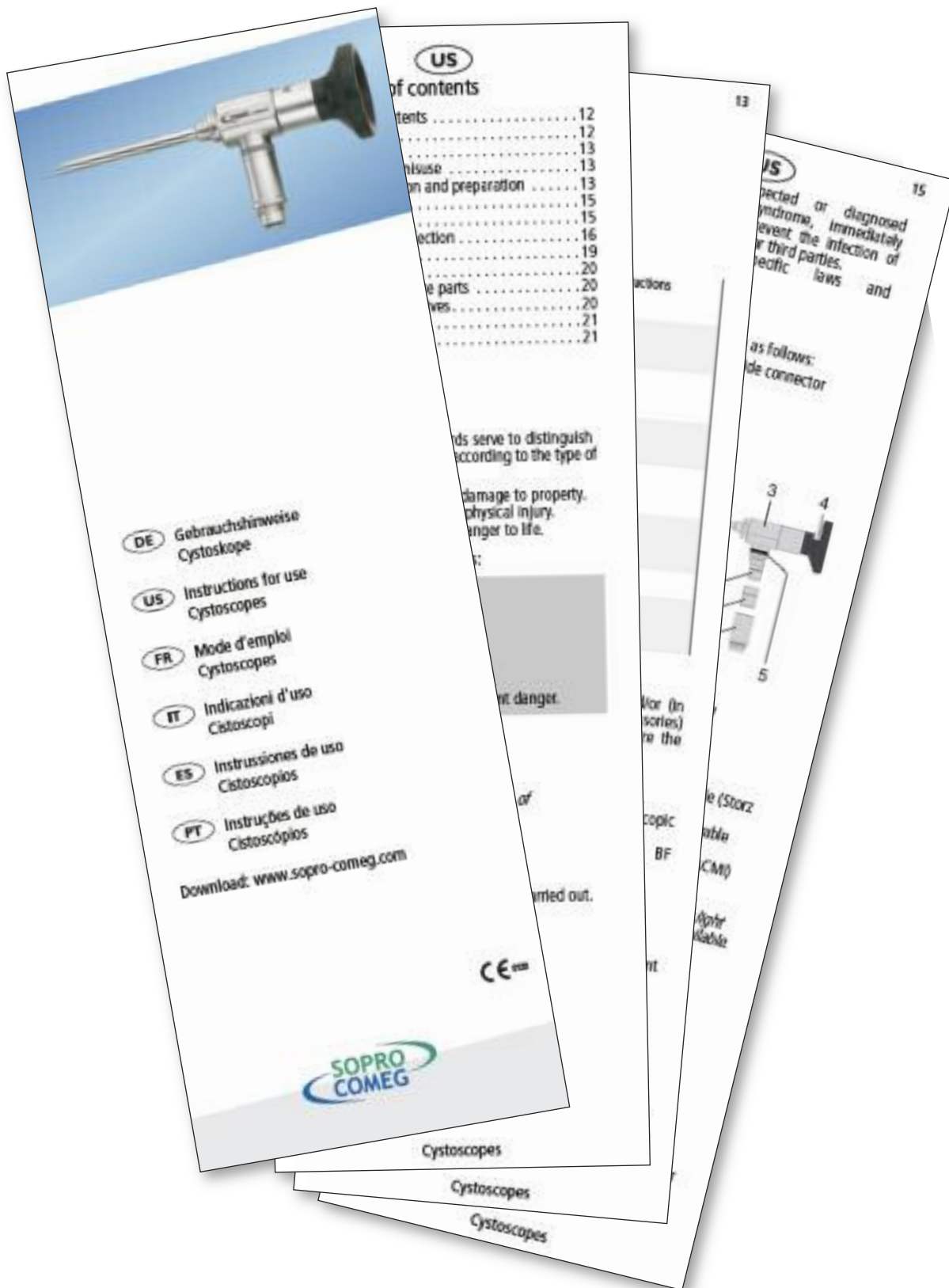
## **11 • MAINTENANCE, CLEANING AND STERILIZATION**

General information . . . . .p124

Sterilization baskets . . . . .p126

## General information

All our products are delivered with a IFU (Instruction for Use) where you will find all proper advices as far as maintenance, cleaning and sterilization are concerned.



## Handling instructions for telescopes

The telescopes are intended to be used according to the general instructions and only by instructed or trained medical personnel.

Service and maintenance may just be performed by authorized service personnel.

Prior and after each use on the telescopes a visual and functional inspection for completeness, optical quality, rough surfaces, sharp edges and prominent parts has to be performed. Immediately after each use the telescopes have to be cleaned and disinfected.

Special care has to be taken to scopes with working channel. It must be ensured that the solution for disinfection reaches all areas within the narrow working channel.

For the adjacent sterilization process the telescopes must be free of contaminations and residues of the agent.

In order to be compatible to other products and to allow combinations please make sure that the intended use and technical parameters (working length, diameter, connection type, etc.) match and do not adversely affect the performance and the safety requirements.

Please refer to applicable instruction manuals.

As with any optical device, COMEG telescopes are fragile and should be handled with care. In order to avoid damage or loss of quality the following instructions concerning handling, storing and transportation have to be followed:

- Always hold the endoscope by its eyepiece or body part!
- If possible, store the endoscopes individually!
- Avoid contact between the glass parts and other instruments or surfaces!
- The telescopes may under no circumstances be exposed to Gamma radiation! The image quality can be adversely affected!
- Do not drop the endoscope and do not bend the tube, or otherwise add mechanical stress!

### Conditions of use, storage and transport:

Use: +10° C to +134° C, 30% to 100 % rel. humidity, pressure 700 hP to 2000 hP  
Storage/ Transport: -20° C to +60° C, 10% to 90 % rel. humidity, pressure 700 hP to 1060 hP

### Safety information:

Check and sterilize instrument prior to any use. In case of any doubt return instrument to manufacturer for investigation and safety check. Disposal of product please refer to the specific regulations of your country.

Handling: In case you do not have the current version of the Handling and Instruction Guide we would be pleased to send a copy upon request.

Combinations: A requirement for common use with other products is the correspondence in intended use and the technical specifications (working length, diameter, etc.). Further information you will find in our product catalogues.

Warranty: For the warranty time please look at our general trade conditions. Excluded from warranty are misuse, incorrectly cleaning, maintenance and repair, normal wear and tear and defects, known at the time of cession.

Prior to each use and / or returning to the manufacturer the products have to be cleaned and sterilized acc. to this maintenance instructions.

## Sterilization baskets

Include a cover and a silicone endoscope holder for easier handling during treatment (cleaning, sterilization, etc.) maximum protection against damages suitable for steam, gas and plasma sterilization

Art.-No.  
**390 400 100**

**Sterilization basket 290 x 80 x 52mm**

Art.-No.  
**390 400 110**

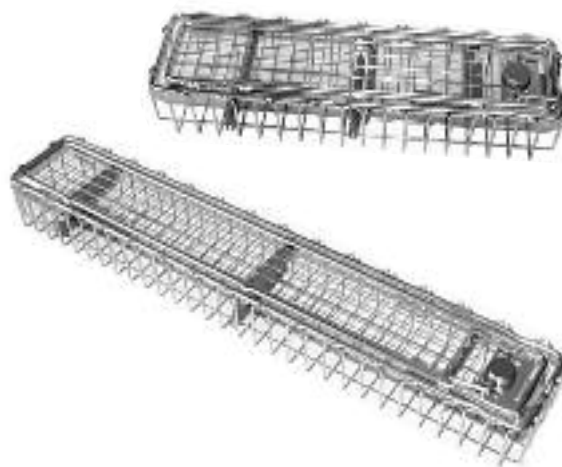
**Sterilization basket 460 x 80 x 52mm**

Art.-No.  
**390 400 130**

**Sterilization basket 458 x 166 x 82mm**

Art.-No.  
**390 400 150**

**Sterilization basket 640 x 150 x 77mm**



Art.-No.  
**191 402 060**

**Plastic sterilization tube for endoscope**

Box of 10 units



The logo features two large, curved swooshes. The top swoosh is light green and curves from the right side towards the center. The bottom swoosh is light blue and curves from the left side towards the center. The text 'SOPRO' is positioned above 'COMEG', both centered between the swooshes.

**SOPRO**  
**COMEG**

## SOPRO-COMEG worldwide



### SOPRO-COMEG COMMITMENTS

#### Customer proximity

Direct and quick communication with our local sales force.

National placed inventory to ensure quick delivery time.

#### Service

Worldwide service centres to ease and fasten the support of our complete product line.

#### R&D

A network of 50 engineers to foster on products innovations and new technologies.



French production plant:  
ZAC Athélia IV  
Avenue des Genévriers  
13705 La Ciotat cedex - France  
Tél. +33 (0) 442 98 01 01  
Fax +33 (0) 442 71 76 90  
info@sopro-comeg.com

[www.sopro-comeg.com](http://www.sopro-comeg.com)



German production plant:  
Dornierstr. 55  
D-78532 Tuttlingen - Germany  
Tel +49 (0) 7461-9344-0  
Fax +49 (0) 7461-9344-20  
info@sopro-comeg.com

[www.sopro-comeg.com](http://www.sopro-comeg.com)

