



## INSTALLATION INSTRUCTIONS AND HOMEOWNER'S MANUAL

### MERIT® PLUS SERIES

LENNOX HEARTH PRODUCTS

36" Electric Fireplace  
P/N 775,172M REV. B 7/2004

**MODEL:** MPE-36R



*Shown with Optional Trim*

This manual will enable you to obtain a safe, efficient and dependable installation and operation of your electric fireplace. Please read and understand these instructions before beginning your installation.

Do not alter or modify this fireplace or its components under any circumstances. Any modification or alteration of the fireplace system, including but not limited to the fireplace and accessories, may void the warranty, listings and approvals of this system and could result in an unsafe and potentially dangerous installation.

**IMPORTANT! IF OPTIONAL GLASS DOORS ARE PURCHASED, TO ASSURE PROPER ALIGNMENT, INSTALL THIS FIREPLACE IN A SQUARE AND PLUMB CONDITION, USING SHIMS AS NECESSARY AT SIDES. THIS APPLIANCE IS MOUNTED ON RUBBER FEET TO ENSURE ADEQUATE AIR CIRCULATION BENEATH FIREPLACE. DO NOT BLOCK AIRFLOW AT THE BOTTOM AIR INTAKES.**

INSTALLER: DO NOT DISCARD THIS MANUAL  
PLEASE LEAVE FOR THE HOMEOWNER

#### FOR YOUR SAFETY

**DO NOT STORE OR USE GASOLINE OR OTHER FLAMMABLE VAPORS AND LIQUIDS IN THE VICINITY OF THIS OR ANY OTHER APPLIANCE**

RETAIN THESE INSTRUCTIONS  
FOR FUTURE REFERENCE



Report # 214173-1482763

## CONGRATULATIONS!

In selecting this DAVE LENNOX Merit Plus electric fireplace, you have chosen the finest and most dependable fireplace found anywhere. A beautiful and prestigious addition to the finest homes. Welcome to a Family of hundreds of thousands of satisfied LENNOX Fireplace Owners.

Please read and carefully follow all of the instructions found in this manual. Please pay special attention to the safety instructions provided in this manual. The instructions included here will assure that you have many years of dependable and enjoyable service from your LENNOX product.

## TABLE OF CONTENTS

Packaging List.....	page 2
Introduction .....	page 2
General Information .....	page 3
Locating Fireplace .....	page 3
Tools/Supplies Required .....	page 3
Framing Specifications.....	page 4
Fireplace Specifications.....	page 4
Clearances .....	page 5
Pre-installation.....	page 5
Installation Steps .....	page 5
Electrical Connections.....	page 5
Final Finishing .....	page 6
Break-In Period .....	page 6
Control Panel Operation .....	page 6
Remote Control Operation .....	page 7
Maintenance.....	page 8
Wiring Diagrams .....	page 10
Troubleshooting .....	page 15
Replacement Parts .....	page 16
Optional Accessories.....	page 18

**WARNING: IF THE INFORMATION IN THIS MANUAL IS NOT FOLLOWED EXACTLY, AN ELECTRICAL SHOCK OR FIRE MAY RESULT CAUSING PROPERTY DAMAGE, PERSONAL INJURY OR LOSS OF LIFE.**

## PACKAGING LIST

This assembled Electric Room Heater is packaged with:

- One accessory package located in the firebox, containing;
  1. One Installation and Operation Manual.
  2. One Warranty Certificate.
  3. One Remote Control.
- Two spare Light Bulbs are located in a recess on the back of the log assembly.

## INTRODUCTION

**This Electric Fireplace is designed for residential applications to be framed in as a zero clearance fireplace.**

**This appliance has been tested in accordance with UL 2021 and CSA C22.2 No. 46-M198 standards for fixed and location dedicated electric room heaters.**

**Installation must conform to local codes. In the absence of local codes, electrical wiring and grounding must comply with the National Electrical Code ANSI/ NFPA 70 - latest edition. In Canada, the current CSA C22-1 Canadian Electrical Code - latest edition.**

**IMPORTANT: BEFORE STARTING YOUR FIREPLACE INSTALLATION, READ THIS INSTALLATION AND OPERATION MANUAL VERY CAREFULLY TO ENSURE YOU UNDERSTAND IT COMPLETELY AND IN ENTIRETY. FAILURE TO FOLLOW THESE INSTRUCTIONS MAY RESULT IN A POSSIBLE ELECTRIC SHOCK, FIRE HAZARD AND/OR INJURY OR PROPERTY DAMAGE AND WILL VOID THE WARRANTY.**

**CAUTION: THIS APPLIANCE IS MOUNTED ON RUBBER FEET. THE PURPOSE OF THESE FEET IS TO ENSURE ADEQUATE AIR CIRCULATION BENEATH THE FIREPLACE. DO NOT REMOVE THESE FEET. DO NOT INSTALL THE FIREPLACE DIRECTLY ONTO A CARPET, RUG, FURNITURE OR SIMILAR SURFACES, WHICH COULD HINDER OR BLOCK THE AIRFLOW.**

**TO PREVENT A POSSIBLE FIRE, DO NOT BLOCK AIR INTAKES OR EXHAUSTS IN ANY WAY. DO NOT USE NEAR SOFT SURFACES, LIKE A PILLOW, WHERE OPENINGS MAY BECOME BLOCKED.**

**THIS APPLIANCE MAY BECOME HOT WHEN IN USE. TO AVOID BURNS, DO NOT LET BARE SKIN TOUCH HOT SURFACES. KEEP COMBUSTIBLE MATERIALS, SUCH AS FURNITURE, PILLOWS, BEDDING, PAPERS, CLOTHES AND CURTAINS AT LEAST 3 FEET (1 METER) FROM THE FRONT OF THIS APPLIANCE.**

**CAUTION: EXTREME CAUTION IS NECESSARY WHEN ANY HEATER IS USED BY OR NEAR CHILDREN OR INVALIDS AND WHENEVER THE HEATER IS LEFT OPERATING AND UNATTENDED.**

**DO NOT OPERATE ANY HEATER WITH DAMAGED WIRING OR CONNECTORS, OR AFTER THE APPLIANCE MALFUNCTIONS, OR IF IT HAS BEEN DROPPED OR DAMAGED IN ANY WAY.**

**ANY REPAIRS TO THIS FIREPLACE SHOULD BE PERFORMED BY A QUALIFIED SERVICE TECHNICIAN.**

**UNDER NO CIRCUMSTANCES SHOULD THIS FIREPLACE BE MODIFIED. PARTS HAVING TO BE REMOVED PRIOR TO OPERATING THE FIREPLACE AGAIN.**

**DO NOT USE THIS APPLIANCE OUTDOORS. DO NOT EXPOSE Fireplace TO THE ELEMENTS (SUCH AS RAIN, ETC.).**

**THIS APPLIANCE IS NOT INTENDED FOR USE IN BATHROOMS, LAUNDRY AREAS OR SIMILAR INDOOR LOCATIONS. NEVER LOCATE THIS APPLIANCE WHERE IT COULD FALL INTO A BATHTUB OR OTHER WATER CONTAINER.**

**DO NOT RUN ELECTRICAL WIRING OR POWER CORD (OPTIONAL) UNDER CARPETING. OR COVER WITH THROW RUGS, RUNNERS OR SIMILAR MATERIALS.**

**(FOR 120 V W/OPTIONAL POWER CORD) AVOID THE USE OF AN EXTENSION CORD BECAUSE THE EXTENSION CORD MAY OVERHEAT AND CAUSE A RISK OF FIRE. HOWEVER, IF YOU HAVE TO USE AN EXTENSION CORD, THE CORD SHALL BE NO. 14 AWG MINIMUM SIZE AND RATED NOT LESS THAN 1800 WATTS, 15 AMPS. THE EXTENSION CORD MUST BE A THREE WIRE CORD WITH GROUNDING TYPE PLUG AND CORD CONNECTION.**

THIS APPLIANCE HAS HOT AND ARCING OR SPARKING PARTS INSIDE. DO NOT USE IT IN AREAS WHERE GASOLINE, PAINT OR FLAMMABLE LIQUIDS ARE USED OR STORED.

THIS FIREPLACE SHOULD NOT BE USED AS A DRYING RACK FOR CLOTHING, NOR SHOULD CHRISTMAS STOCKINGS OR OTHER DECORATIONS BE HUNG NEAR IT.

USE THIS APPLIANCE ONLY AS DESCRIBED IN THIS MANUAL. ANY OTHER USE IS NOT RECOMMENDED BY THE MANUFACTURER AND MAY CAUSE A FIRE, ELECTRIC SHOCK OR INJURY TO PERSONS.

IF APPLIANCE IS TO BE DISCONNECTED, TURN OFF CONTROLS FIRST.

DO NOT INSERT OR ALLOW FOREIGN OBJECTS TO ENTER ANY VENTILATION OR EXHAUST OPENING, AS THIS MAY CAUSE AN ELECTRIC SHOCK, FIRE, OR DAMAGE TO THE APPLIANCE.

SAVE THESE INSTRUCTIONS.

**GENERAL INFORMATION**

**Power Supply Wire Specifications**

**120 Volt, 60 Hz, 1600 Watts:**  
(ref. page 10)

Use two conductor, non-metallic sheath cable with ground wire for the incoming power supply. The wire used must conform to local and national electrical codes for the specified power consumption rating. See Table 1.

**240 Volt, 60 Hz, 3000 Watt:**  
(ref. page 11)

Use three conductor, non-metallic sheath cable with ground wire for the incoming power supply. The wire used must conform to local and national electrical codes for the specified power consumption rating. See Table 1.

**Wall Switch or Wall Thermostat Kits**  
(optional kits, see page 17)

Low voltage wire is provided for the wall switch connection. The wires gage requirements are shown on Table 1.

Power Supply Wire Gage		
Voltage	Wire Gage	Fuse Rating
120 V	14 GA.	15 AMP
240 V	14 GA.	20 AMP

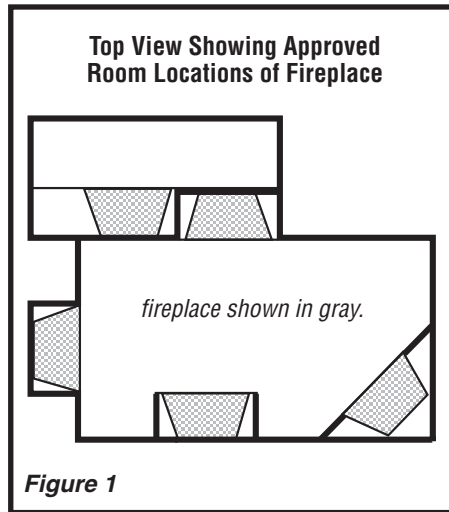
Wall Switch/Thermostat Wire Gage	
Voltage	Wire Gage
5 Volts	18 Gage

*Table 1*

**LOCATING YOUR MERIT PLUS ELECTRIC FIREPLACE**

Your new fireplace may be installed into existing framing or built into a wall (see Figure 1), or set in a freestanding mantel cabinet available from your dealer (see page 17).

When choosing a location for your new fireplace, ensure that the general instructions are followed. Also, for the best effect, install the fireplace out of direct sunlight and away from overhead lighting. See Figure 1.



NOTE: DIAGRAMS & ILLUSTRATIONS NOT TO SCALE.

**TOOLS AND BUILDING SUPPLIES NORMALLY REQUIRED**

Tools:

- Phillips Screwdriver
- 7/16" Socket Drive
- Hammer
- Saw And/or Saber Saw
- Level
- Measuring Tape
- Plumb Line
- Electric Drill And Bits
- Pliers
- Square
- Gloves

Building Supplies:

- Framing Materials
- Wall Finishing Materials
- Caulking Materials (noncombustible)

**IMPORTANT NOTE:** This fireplace system is not difficult to install. However, in the interest of safety, it is recommended that the installer be a qualified or certified "tradesman" familiar with commonly accepted fireplace installation and safety techniques as well as prevailing local codes.

## FRAMING SPECIFICATIONS

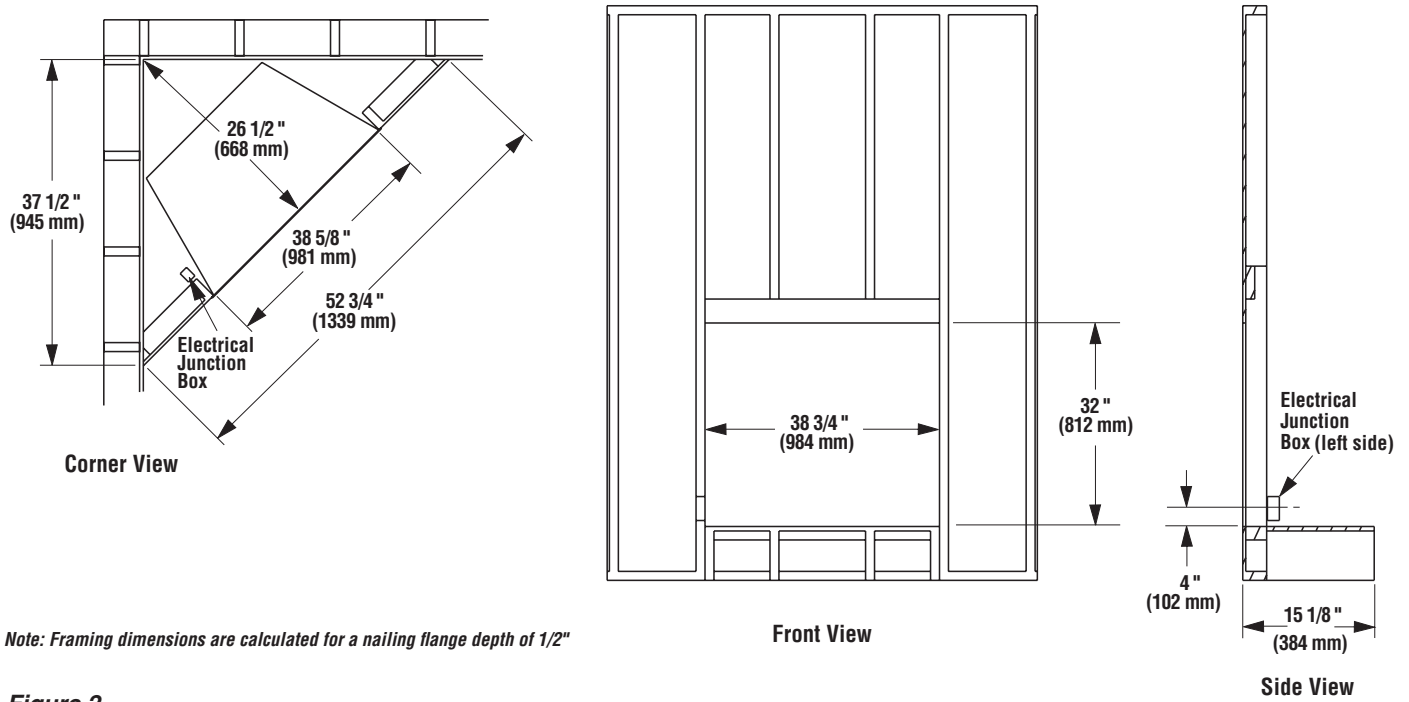


Figure 2

## FIREPLACE SPECIFICATIONS

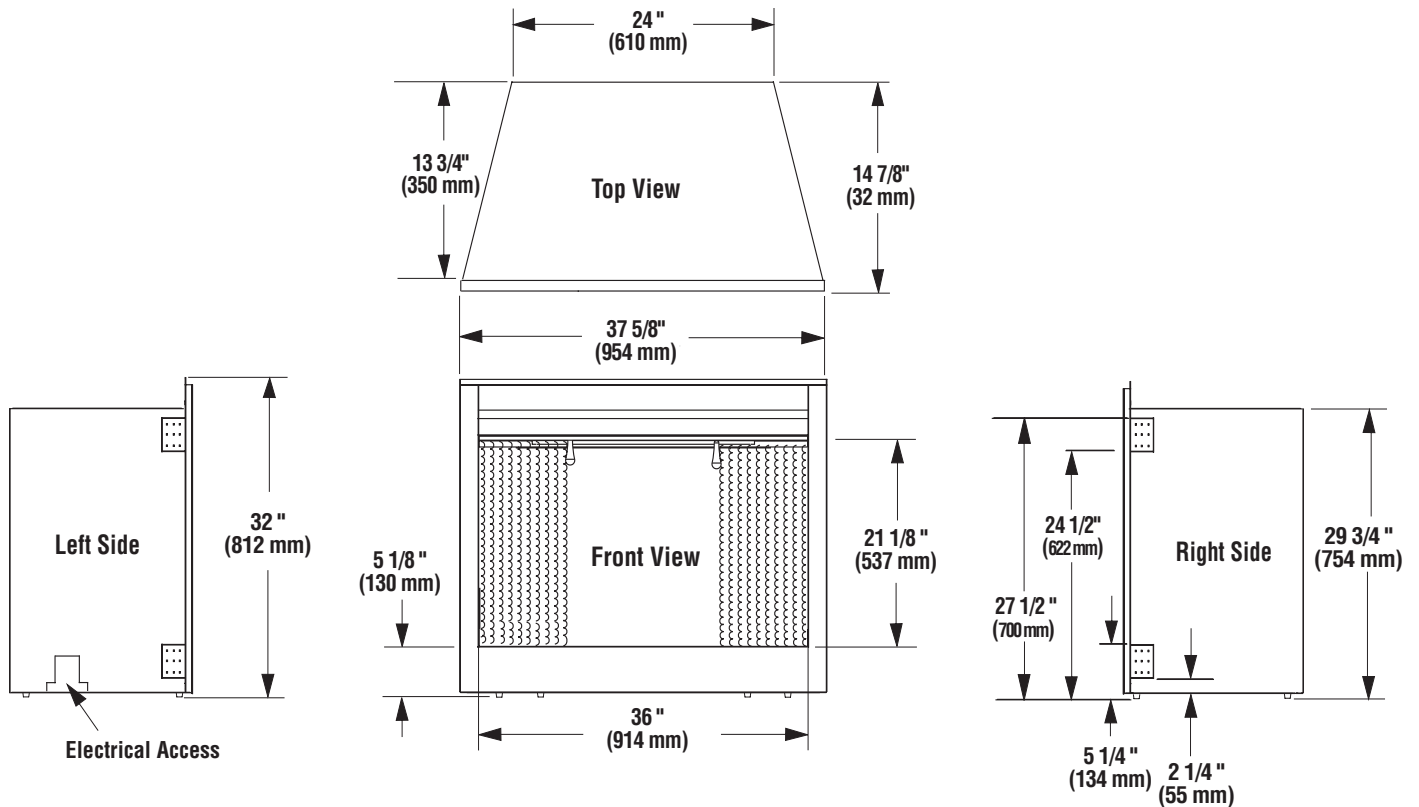


Figure 3

## FIREPLACE SPECIFICATIONS

Cat. No. H1534

Model: MPE-36R

Description: Merit Plus Electric Fireplace,  
36" Radiant

Shipping Weight: 90 lb.'s (41 KG)

Packaging:

44 3/4" x 19 1/2" x 34 1/4"

(1135 mm x 495 mm x 870 mm)

17.30 cu. ft.

Power Requirements:

(120 Volt, 60 Hz.)

Rated Wattage - 1600 Watts

Amperage - 13.33 Amps

(240 Volt, 60 Hz.)

Rated Wattage - 3000 Watts

Amperage - 12.5 Amps

Blower CFM: 83 CFM

(120 V): 5,461 BTU/HR

(240 V): 10,239 BTU/HR

## MINIMUM CLEARANCES TO COMBUSTIBLES

This appliance is a zero-clearance design and is approved to be framed in with combustible materials (up to the edge of the appliance). A drywall lip at the top of the fireplace and 4 nailing flanges on the sides of the appliance is provided to facilitate installation.

<b>Sides:</b>	<b>0 mm - 0 inches</b>
<b>Floor:</b>	<b>0 mm - 0 inches</b>
<b>Top:</b>	<b>0 mm - 0 inches</b>

**Table 2**

**Mantel Clearance:** Combustible and Non-combustible mantels may be installed at any height above the top of the face of fireplace.

**Hearth Protection:** A hearth is not mandatory, but it is recommended for aesthetic purposes. Secure the hearth extension to the floor to prevent possible shifting. Do not block the airflow beneath the appliance (read the following WARNING).

**WARNING: THIS APPLIANCE IS MOUNTED ON RUBBER FEET TO ENSURE ADEQUATE AIR CIRCULATION BENEATH FIREPLACE. DO NOT BLOCK AIRFLOW AT THE BOTTOM AIR INTAKES.**

**COLD CLIMATE INSTALLATION RECOMMENDATION: WHEN INSTALLING THIS FIREPLACE AGAINST A NON-INSULATED EXTERIOR WALL OR CHASE, IT IS MANDATORY THAT THE OUTER WALLS BE INSULATED TO CONFORM TO APPLICABLE INSULATION CODES.**

**WARNING! TO PREVENT CONTACT WITH SAGGING OR LOOSE INSULATION, THE APPLIANCE MUST NOT BE INSTALLED AGAINST VAPOR BARRIERS OR EXPOSED INSULATION. LOCALIZED OVERHEATING COULD OCCUR AND A FIRE COULD RESULT. INSULATION AND A VAPOR BARRIER SHOULD BE PLACED A MINIMUM OF 2 INCHES FROM THE APPLIANCE.**

## PRE-INSTALLATION

### Before You Start

Check appliance for any concealed damage.

### DETAILED INSTALLATION STEPS

1. Complete the framing opening to the dimensions specified in Figure 2.
2. Ensure that there is a minimum of 8" of service cable for connection to the junction box on the fireplace. Remove the outer jacket and strip the individual wires 1/2" from the end.
3. Loosen the screw securing the junction box cover and remove the cover.
4. Position the fireplace into the framed-in opening. Attach fireplace to frame using nailing flanges provided.
5. Complete the wiring to the fireplace for the appropriate voltage (120 V or 240 V), as shown on pages 10 & 11. Wires L1, L2, N & G are attached to the rear of the junction box cable clamp for easy access.

6. Wire a dedicated, properly fused circuit with an Amp rating for the appropriate voltage (120 V - 15 Amps or 240 V - 20 Amps). A dedicated circuit is required to prevent overloading a house circuit in cases of having multiple appliances on the same circuit. Use an outlet that is protected by a ground fault circuit interrupter where required by electrical code.
7. (If applicable) Make wall mount wall switch or wall thermostat connections as outlined on pages 11 & 12.
8. Place all connectors inside the fireplace and replace the junction box cover, ensuring that the cable clamp grips only the jacket of service, and if applicable, wall switch or thermostat lines.
9. Perform a function test. See *Manual Control Panel Operation* on page 6 and *Remote Control Operation* on page 7.

## ELECTRICAL CONNECTIONS

Refer to the electrical diagrams on pages 10 to 14.

**WARNING: ELECTRICAL WIRING MUST COMPLY WITH LOCAL BUILDING CODES AND OTHER APPLICABLE REGULATIONS TO REDUCE THE RISK OF FIRE, ELECTRICAL SHOCK AND INJURY TO INDIVIDUALS.**

**ANY ELECTRICAL RE-WIRING OF THIS APPLIANCE MUST BE DONE BY A QUALIFIED ELECTRICIAN.**

**DO NOT USE THIS FIREPLACE IF ANY PART OF IT HAS BEEN UNDERWATER. IMMEDIATELY CALL A QUALIFIED SERVICE TECHNICIAN TO INSPECT THE FIREPLACE AND REPLACE ANY PART OF THE ELECTRICAL SYSTEM WHICH HAS BEEN UNDER WATER.**

## FINAL FINISHING

Materials such as brick and tile can be extended down to the top of the fireplace. Do not extend down, covering the outlet or glass enclosure panel (optional kit).

There are a wide variety of “finished looks” for these fireplaces, from formal wall decor with elaborate mantels to rustic wood paneling or warm brick facings.

### Mantel Cabinet or Accent Trim Installations

An optional mantel cabinet kit or an accent trim kit is available from your dealer (see page 18). These options give the appliance an attractive finished look.

### Hearth

An aesthetically pleasing fireplace hearth can be installed, if desired (see hearth protection on page 5).

### BREAK-IN PERIOD:

During the first few initial uses of this heater, there may be a release of a slight, harmless odor. This odor is a normal occurrence caused by the initial heating of the internal heating elements and should not reoccur.

## MANUAL CONTROL PANEL OPERATION (refer to Figures 5 & 6)

Once this appliance has been properly installed and connected to the power supply as defined in this manual, it is ready to operate.

Note: Ensure the circuit breakers for the power supply are turned on.

This appliance can be operated either from the manual control panel (see Figures 4 & 5) or by using the remote control, wall switch or wall thermostat (optional kits).

The manual controls are located on the firebox floor on the front left (see Figure 5). If an optional glass enclosure is installed, it must be removed to access.

### Main Power ON/OFF Switch

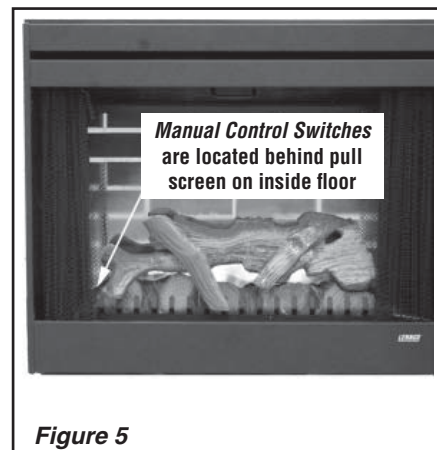
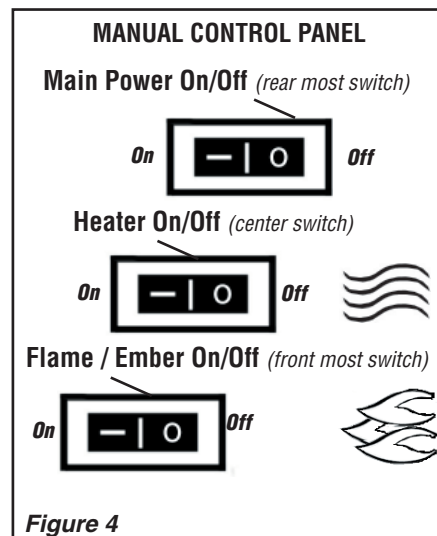
When the main power switch is turned on, power is supplied to the fireplace. This switch must be on for all other switches to operate.

### Heater ON/OFF Switch

When this switch is turned on, the heater will emit heat in the temperature range selected (see Figure 6; G, H & I). The fireplace can operate with or without heat.

### Flame / Ember On/Off Switch:

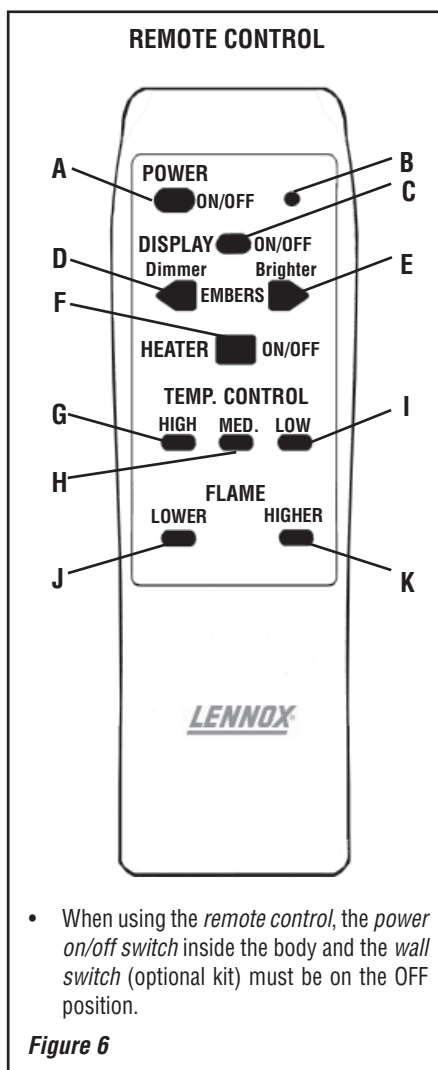
Turns lights on inside ember bed and flame cylinder.



- When using the main *power on/off switch* inside the body, the *power on/off switch* outside the body (optional wall switch kit) must be in the OFF position.
- When using *power on/off switch* outside the body (optional wall switch), the *power on/off switch* inside the body must be in the OFF position.
- When using the *remote control*, the *power on/off switch* inside the body and the *wall switch* (optional kit) must be on the OFF position.



## REMOTE CONTROL OPERATION:



- When using the remote control, the power on/off switch inside the body and the wall switch (optional kit) must be on the OFF position.

Figure 6

### CAUTIONS

- DO NOT USE OLD BATTERIES WITH NEW ONES.
- DO NOT USE BATTERIES OTHER THAN THE TYPE SPECIFIED (2 EA. AA).
- ENSURE BATTERIES ARE CORRECTLY INSTALLED IN REMOTE CONTROL.

The Merit Plus Electric Fireplace is provided with an Infrared light Remote Control. All functions of the fireplace can be controlled through the remote control. Note: The Effective range of the remote control is up to approximately 26 feet (8 meters).

The functions identified on the remote (see Figure 6) are as follows:

#### A. POWER BUTTON

Press once to turn on power to fireplace.

#### B. INDICATING LIGHT

Illuminates when signal is sent.

#### C. LIGHT BUTTON

On/off switch for flame and ember light.

#### D. LIGHT ADJUSTING BUTTON (DIM)

Reduces brightness of embers.

#### E. LIGHT ADJUSTING BUTTON (BRIGHTEN)

Increases brightness of embers.

#### F. HEATER ON/OFF

This button will turn the heater ON and OFF independent of the main button.

#### G. TEMPERATURE ADJUSTMENT BUTTON (HIGH)

Highest heat output, up to 86° F.

#### H. TEMPERATURE ADJUSTMENT BUTTON (MED.)

Medium heat output, up to 75° F.

#### I. TEMPERATURE ADJUSTMENT BUTTON (LOW)

Lowest heat output, up to 64° F.

#### J. FLAME ADJUSTING BUTTON (LOWER)

Reduces flame intensity.

#### K. FLAME ADJUSTING BUTTON (HIGHER)

Increases flame intensity.

### Remote Control Operation Steps:

1. To control the electric fireplace by remote control, the main power on/off switch should be in the off position. This switch is located on the front left floor of firebox (see Figures 4 & 5).
2. When operating the remote control, it must be pointed at the logs inside the electric fireplace and a beep must be heard each time you press a function button. The beep lets you know the remote control is operating the function button you are pressing.
3. Remote On & Off Button - The button on the top left (see A) is the on/off power button. When pressing this button you will hear a beep, this will activate the power to the fireplace. You must then press the display button (B) to activate the lights.

Note: If the flame does not come on immediately, adjust brightness and intensity (buttons E & K).

4. To increase the brightness, press and release the light brighten button (see E). Each time you press this button you will hear a beep, and the brightness will increase by a small amount, until the maximum brightness is achieved. To decrease the brightness, press and release the light dimming button (see D). Each time you press this button you will hear a beep, and the brightness will decrease by a small amount, until the minimum brightness is achieved.

5. Heater Button, To activate the heater, press the heater button (see F), then press HI (G),

MED (H), or LO (I). The heater is preset to the following temperatures:

- HIGH will shut off when room reaches approximately 86° F (30° C).

- MED. will shut off when room reaches approximately 75° F (24° C).

- LO. (Low) will shut off when room reaches approximately 64° F (18° C).

6. Flame Button - Press the Flame Adjusting Buttons to achieve a higher or lower flame intensity (see J & K).

7. To Increase Flame Brightness press and release the (K) button. Each time you press this button you will hear a beep and the brightness of the flame will increase slightly, until the maximum setting is reached. To Decrease Flame Brightness press and release the (J) button. Each time you press this button you will hear a beep and the brightness of the flame will decrease slightly, until the minimum setting is reached.

## MAINTENANCE

This appliance has been designed to provide many years of trouble-free service. The components that will need to be serviced have been kept to a minimum. Periodic dusting of the fireplace is all that should be required.

**CAUTION: DISCONNECT POWER BEFORE ATTEMPTING ANY MAINTENANCE OR CLEANING TO REDUCE THE RISK OF FIRE, ELECTRICAL SHOCK OR PERSONAL INJURY.**

**WARNING: WHEN CLEANING THE Fireplace, THE Fireplace MUST BE COOL.**

## CLEANING THE GLASS ENCLOSURE PANEL (OPTIONAL KIT)

Over time the front glass panel may become dirty or dusty. Dust can be removed by lightly rubbing the glass surface with a clean, lint free cloth or paper towel. To remove fingerprints or other marks, use a damp cloth with a good quality household glass cleaner. The front glass panel should be completely dried with a clean, lint free cloth or paper towel.

**CAUTION: DO NOT USE ABRASIVE CLEANERS ON THE GLASS PANEL. DO NOT SPRAY LIQUIDS DIRECTLY ONTO ANY SURFACE OF THE Fireplace.**

**WARNING: AN AUTHORIZED SERVICE REPRESENTATIVE SHOULD PERFORM ANY OTHER SERVICING.**

**CAUTION: HANDLE GLASS VERY CAREFULLY TO PREVENT ACCIDENTAL BREAKAGE.**

## HEATER/BLOWER REPLACEMENT PROCEDURE

1. Turn off power to the fireplace.
2. Let the fireplace completely cool, if it has been operating.
3. Open the steel curtains (remove glass panel enclosure, if applicable).
4. OPTIONAL: To ensure that the brick panel isn't accidentally scratched, you may wish to remove it before proceeding:

### Brick Panel Removal Procedure:

- a. Remove the 2 screws on the front of the grate. Remove Grate (see Figure 8).
- b. Lift out Log / Ember assembly and set aside. **Caution: Be careful not to scratch the finish.**

- c. Remove the top brick panel retaining bracket (see Figure 15). Be very careful to hold the bracket when removing the 2 screws to ensure the bracket doesn't fall.
- d. Remove the left and right side brick panel retaining brackets (see Figure 15). Be very careful to hold the bracket when removing. Remove the bottom screw first to avoid the frame falling down after both screws are removed.

**TAKE CARE TO HOLD BRICK PANEL IN PLACE TO PREVENT POSSIBLE DAMAGE.**

*Suggestion: Slide the screens toward the middle of the fireplace for easier access to the screws on the sides. Return the screens to the sides before proceeding to instruction f.*

- e. Tip brick panel forward from the top, just enough to clear screens. Carefully remove brick panel from firebox and set aside in a safe place.

5. Remove the screws which secure the heater blower mounting plate using a phillips screwdriver as follows (see Figures 9 & 10):
  - a. While using one hand to hold the handle of the heater/blower assembly (see Figure 9), remove the 5 screws which secure the mounting plate. **Remove the 4 side screws first (2 on each side). Remove the middle screw that is on the top of the handle last.**
  - b. Slowly lower the heater/blower assembly and let it rest on the 2 support chains (1 on each side).

**IMPORTANT NOTE: Label all wire locations prior to disconnecting to ensure that wires are reconnected in the correct positions.**

6. Replace the heater/blower as follows:
  - a. Replace the old heater/blower with the new one. Note: when replacing the heater/blower, ensure that all the wires on the heater are correct, otherwise the heater will not function properly.
  - b. Turn the power and heater switches on and check for proper operation.
  - c. Turn off power to the fireplace.
  - d. Using one hand to hold the handle of the heater/blower assembly, slowly push it back up and line up the holes for the 5 screws. Install the 5 screws to secure the new heater/blower assembly to the mounting plate.

7. (If brick panel was removed) Reverse instructions on step 4.
8. Reinstall glass panel enclosure, if applicable.

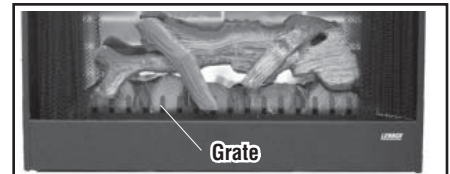


Figure 8

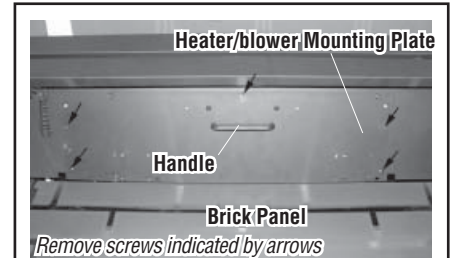


Figure 9



Figure 10



Figure 11



## Replacing Light Bulbs

**WARNING: THE FIREPLACE MUST BE UNPLUGGED/DISCONNECTED FROM THE POWER SUPPLY PRIOR TO ANY MAINTENANCE OR CLEANING IN ORDER TO REDUCE THE RISK ELECTRIC SHOCK OR FIRE.**

**CAUTION: DO NOT EXCEED A 35 WATT BULB. USE OF A HIGHER RATED BULB MAY RESULT IN A FIRE, CAUSING PROPERTY DAMAGE, PERSONAL INJURY OR LOSS OF LIFE.**

**WARNING: THE HALOGEN LIGHT BULBS IN YOUR FIREPLACE CAN BECOME EXTREMELY HOT. ALLOW AT LEAST 10 MINUTES BETWEEN TURNING OFF THE FIREPLACE AND REMOVING THE LIGHT BULBS TO AVOID THE ACCIDENTAL BURNING OF THE SKIN.**

**CAUTION: DO NOT TOUCH THE BULBS, OILS FROM YOUR SKIN WILL DAMAGE THEM WHEN THEY HEAT UP. USE GLOVES OR CLOTH WHEN HANDLING BULBS.**

### Bulb Replacement Procedure:

- 2 bulbs provide illumination for the ember bed and 2 bulbs provide illumination for the flame generation assembly (bulbs are rated at 35 Watts Max., Halogen, GX6.35).

- 2 spare bulbs are located in a recess on the back of the log assembly.

1. Turn off power to the fireplace.
2. Let the fireplace cool, if it has been operating.
3. (If optional glass panel enclosure is installed) Remove glass panel per instructions provided in kit.
4. Remove the 2 screws on the front of the grate (see Figure 12. Also see item #7 on page 17). Remove Grate.
5. Lift out log/ember assembly by tilting forward and firmly pulling on back of ember bed assembly. It should pop out from track and lift out. **Caution: Be careful not to scratch the finish.**
6. Remove spare bulbs from the recess on the back of the log assembly.

### Access bulbs as follows:

**Use gloves or cloth when handling bulbs to prevent oils from your skin damaging bulbs when heated.**

#### a. Ember Bed Bulbs -

- i. With the ember bed removed, the 2 ember bed light bulbs will be visible (see Figures 13 and 14).

- ii. Lift off spring from bulb tips, then hold socket and pull out to remove. Install new bulbs into sockets by pressing them in (while holding the socket), Install retaining spring over each bulb tip.
- iii. Plug in power cord or connect power to appliance. Turn on power to test bulbs. Disconnect power.
- iv. Reverse steps 3 to 5.

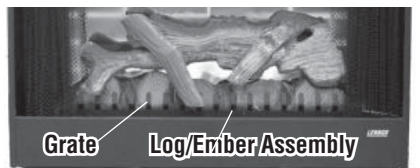


Figure 12

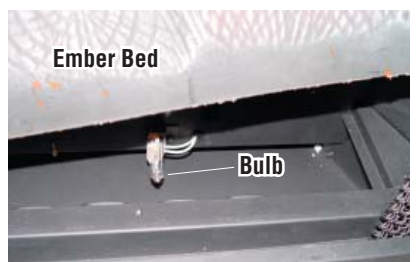


Figure 13

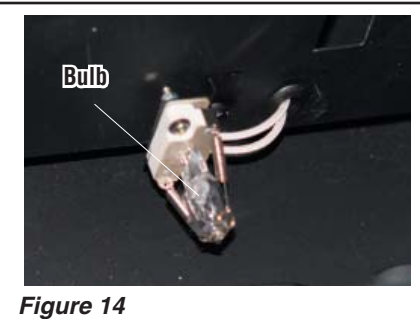


Figure 14

#### b. Flame Cylinder Bulbs

- i. Remove Brick panel, following procedure on page 8 (see *Brick panel Removal Procedure*).



Figure 15

- ii. using a phillips screwdriver, remove the flame panel (see Figure 16).

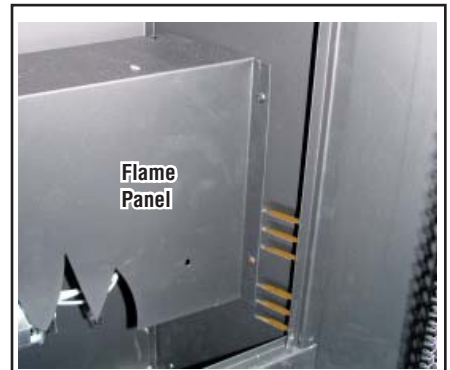


Figure 16

- iii. Locate flame cylinder drum (see Figure 17). Squeeze one half of drum cylinder until its top edge clears the top drum track. Remove the bottom edge of the cylinder drum from the bottom drum track. Once you have removed one half of the drum cylinder, you will have access to the 2 light bulbs (see Figure 18). **Note: do not exert excessive pressure on the drum cylinder as this may cause damage.**
- v. Lift off spring from bulb tips, then hold socket and pull bulb out to remove. Install new bulbs into sockets by pressing them in (while holding the socket), Install retaining spring over each bulb tip.

7. Reinstall all components that were removed (reverse steps 1-5).



Figure 17

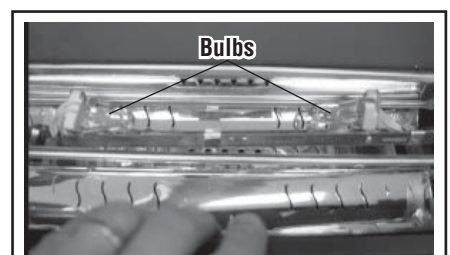


Figure 18

## WIRING DIAGRAM - 120 VOLT

Wiring diagrams are provided here for reference purposes only. This information is also provided on schematics attached directly to the appliance on the left side.

**CAUTION: LABEL ALL WIRES PRIOR TO DISCONNECTION WHEN SERVICING CONTROLS. WIRING ERRORS CAN CAUSE IMPROPER AND DANGEROUS APPLIANCE OPERATION.**

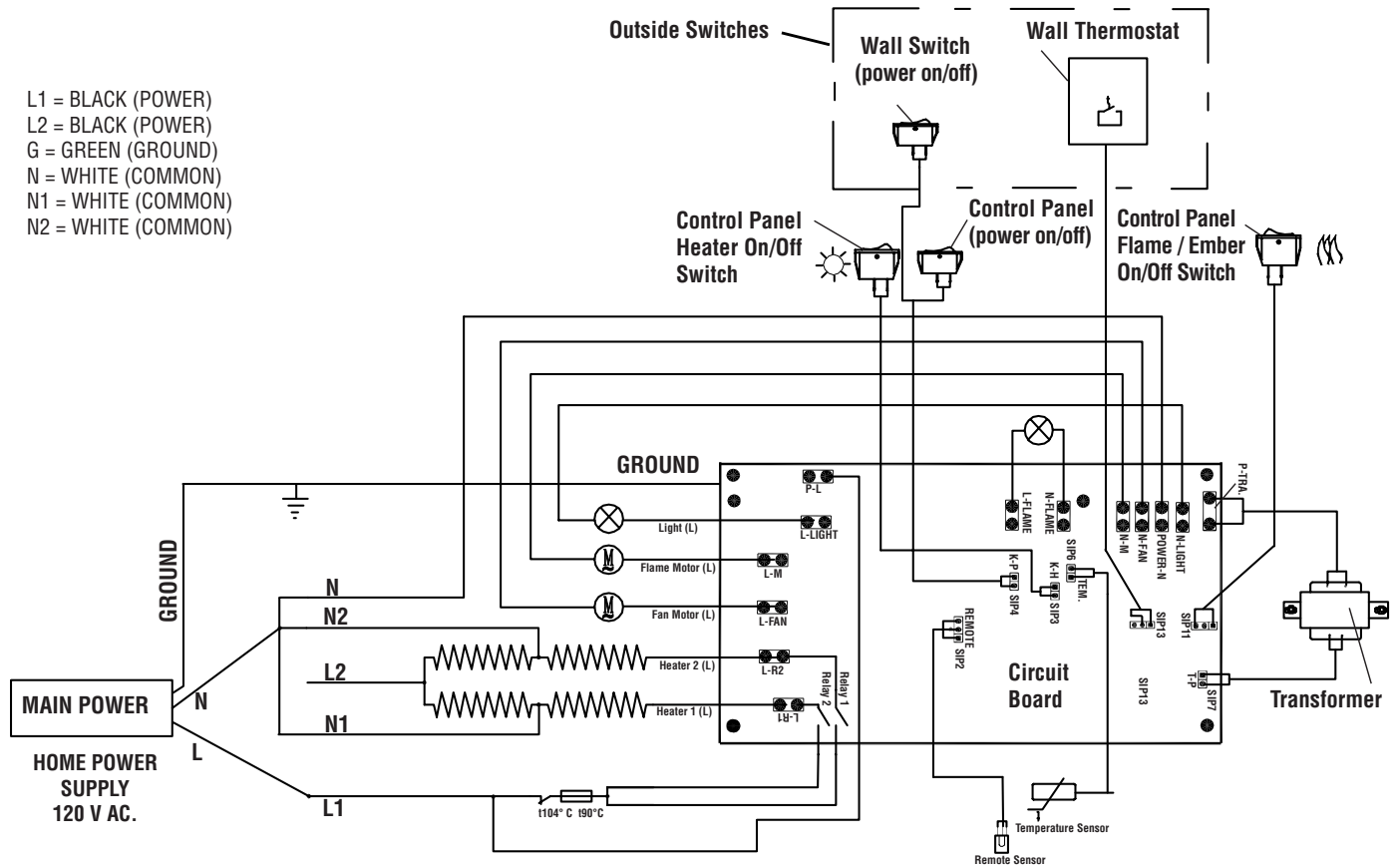
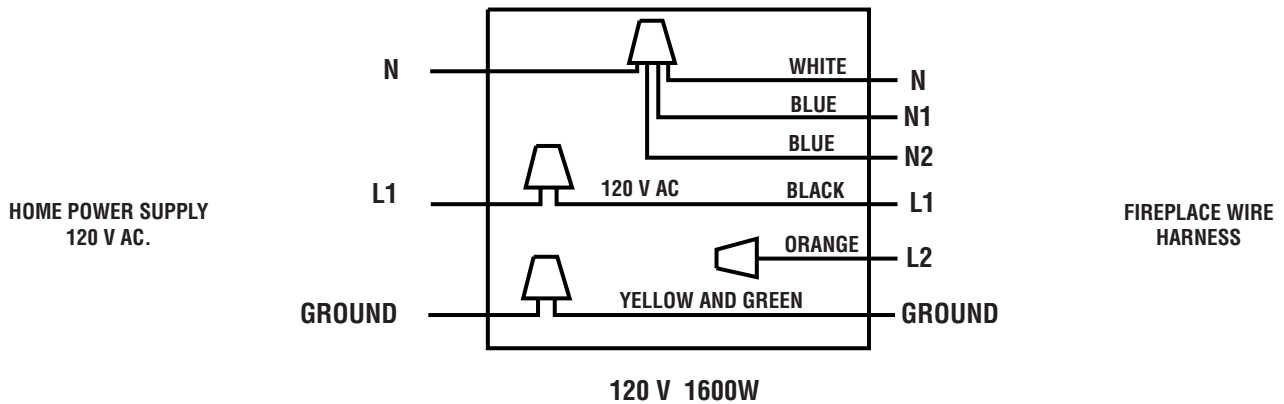


Figure 19

## SWITCH WIRING - 120 VOLT



See Power Supply Specifications on Page 3.

Figure 20

## WIRING DIAGRAM - 240 VOLT

Wiring diagrams are provided here for reference purposes only. This information is also provided on schematics attached directly to the appliance on the left side.

**CAUTION: LABEL ALL WIRES PRIOR TO DISCONNECTION WHEN SERVICING CONTROLS. WIRING ERRORS CAN CAUSE IMPROPER AND DANGEROUS APPLIANCE OPERATION.**

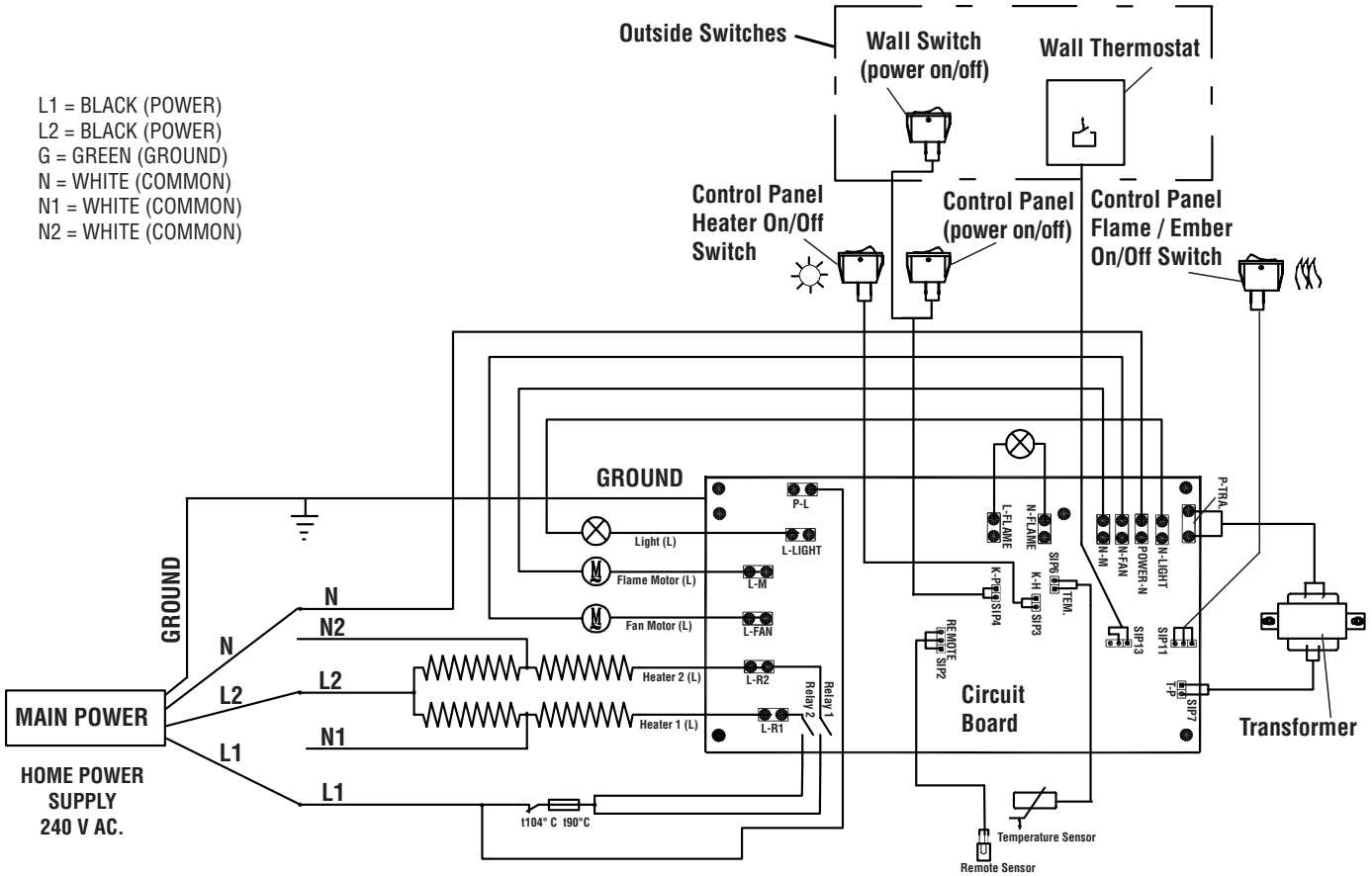
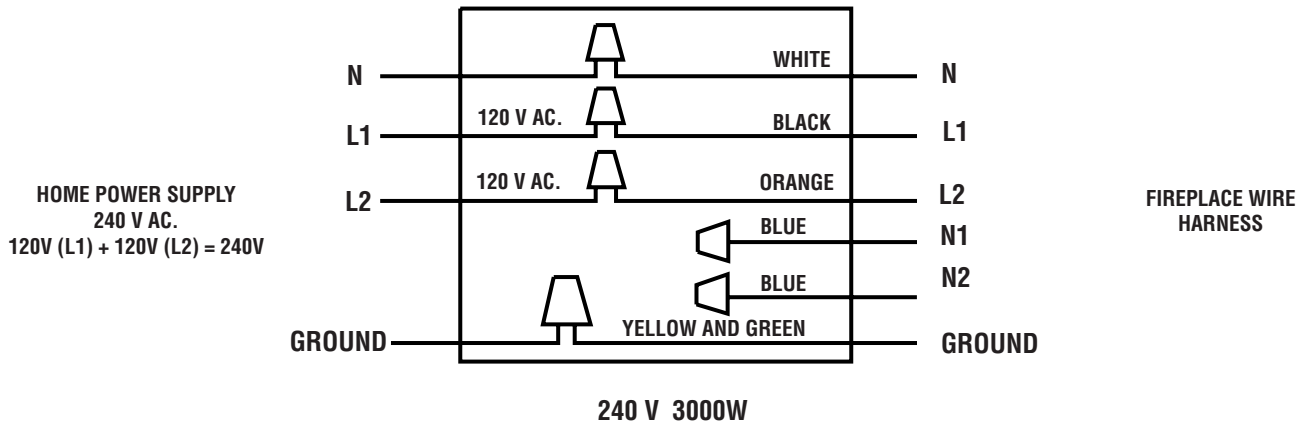


Figure 21

## SWITCH WIRING - 240 VOLT



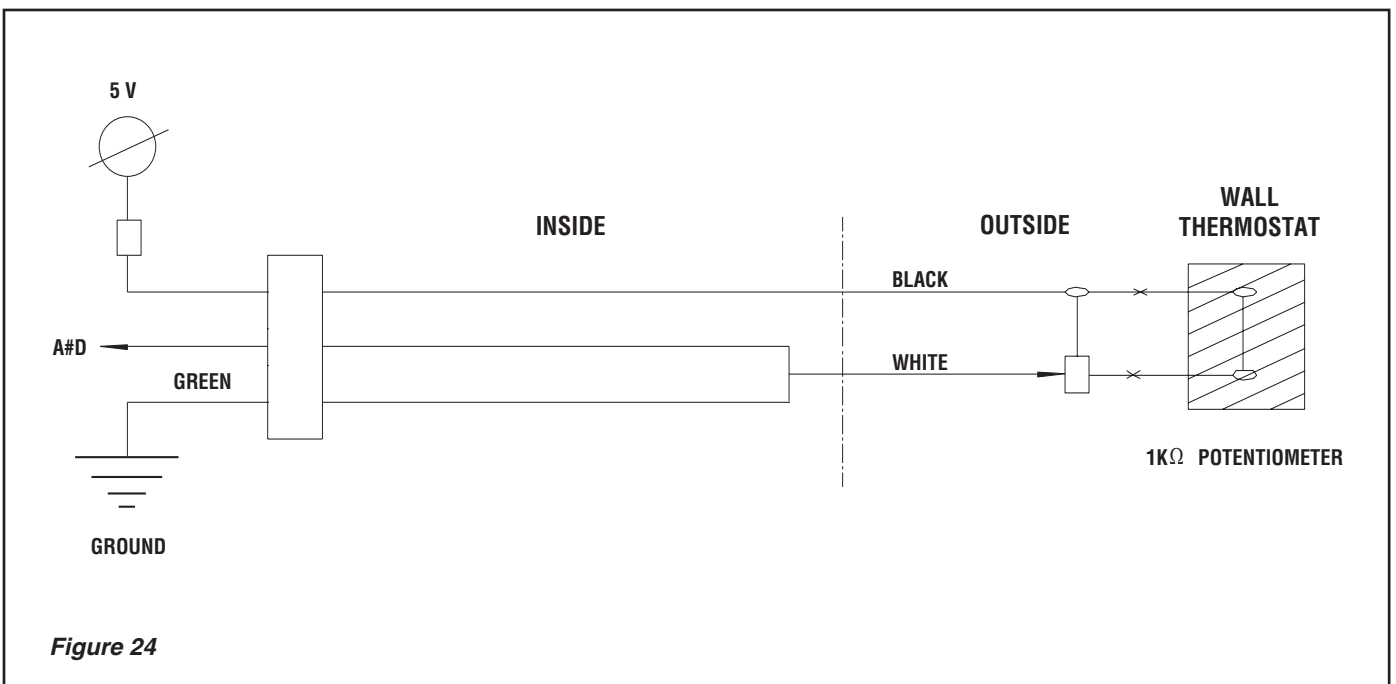
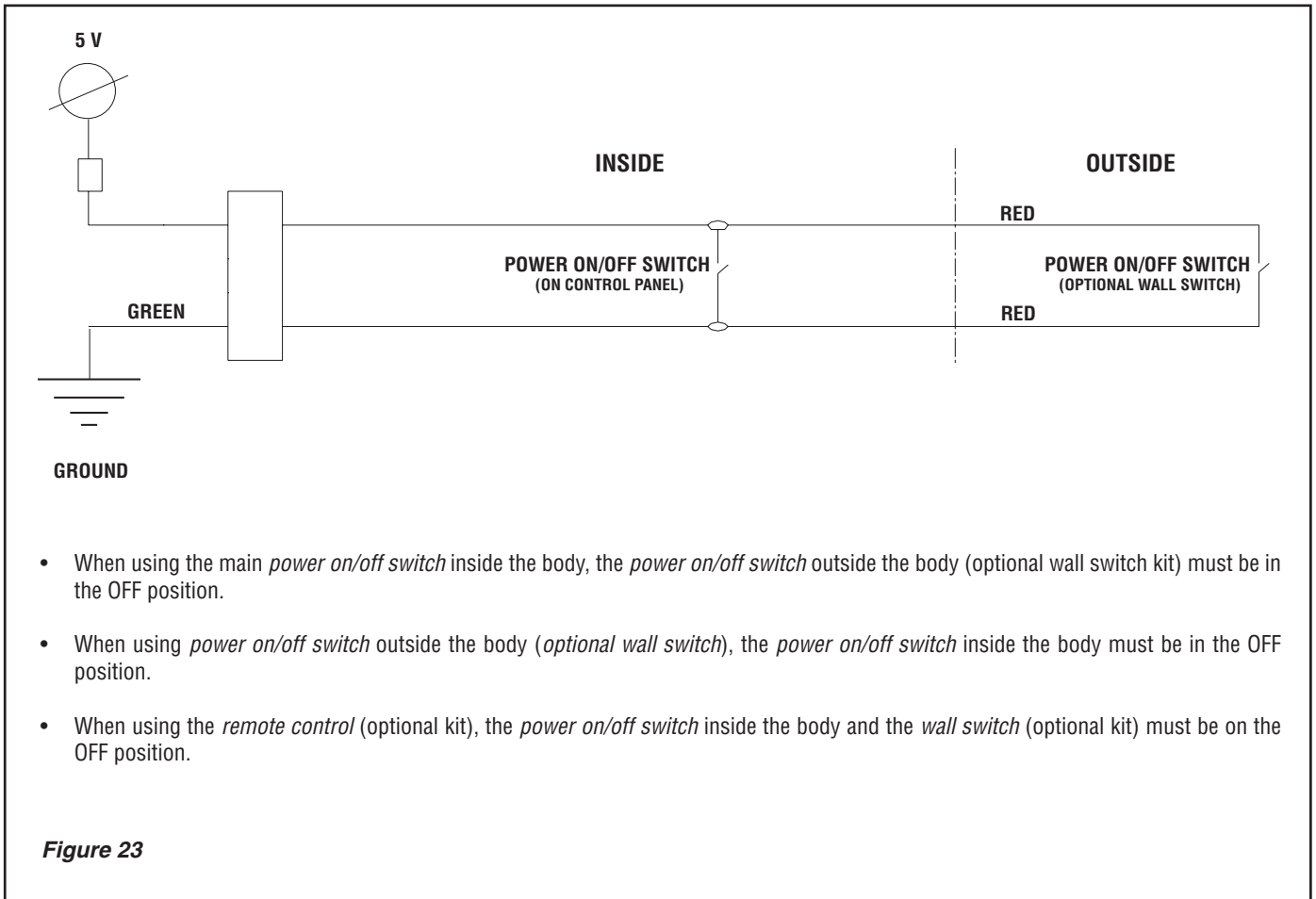
See Power Supply Specifications on Page 3.

Figure 22

NOTE: DIAGRAMS & ILLUSTRATIONS NOT TO SCALE.

## WALL THERMOSTAT & WALL SWITCH WIRING DIAGRAMS

(optional kits, see page 18)



## Installing Wall Thermostat (optional kit, see page 18)

Wire the wall thermostat prior to installing the fireplace.

### WALL THERMOSTAT WIRING (24 VAC):

Install Wall Thermostat per instructions provided with kit and per the following information:

1. Turn off circuit breaker.
2. Remove cover plate located on the left side of appliance.
3. Locate the the black and white wires and pull out the length needed to reach wall thermostat (15 feet max.).
4. Connect the wires to the wall thermostat as shown in Figure 25. Follow instructions provided with wall switch kit.

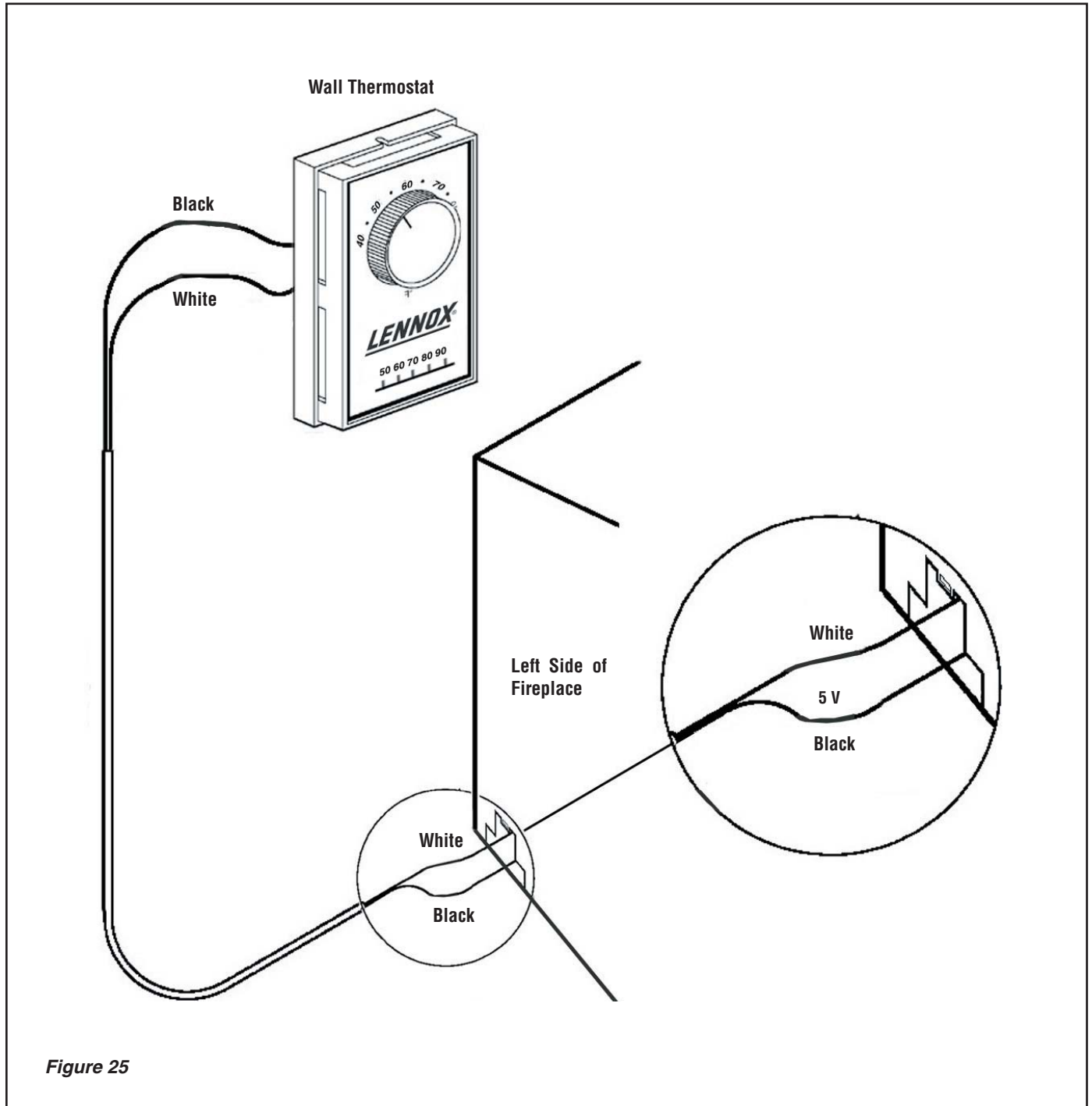


Figure 25



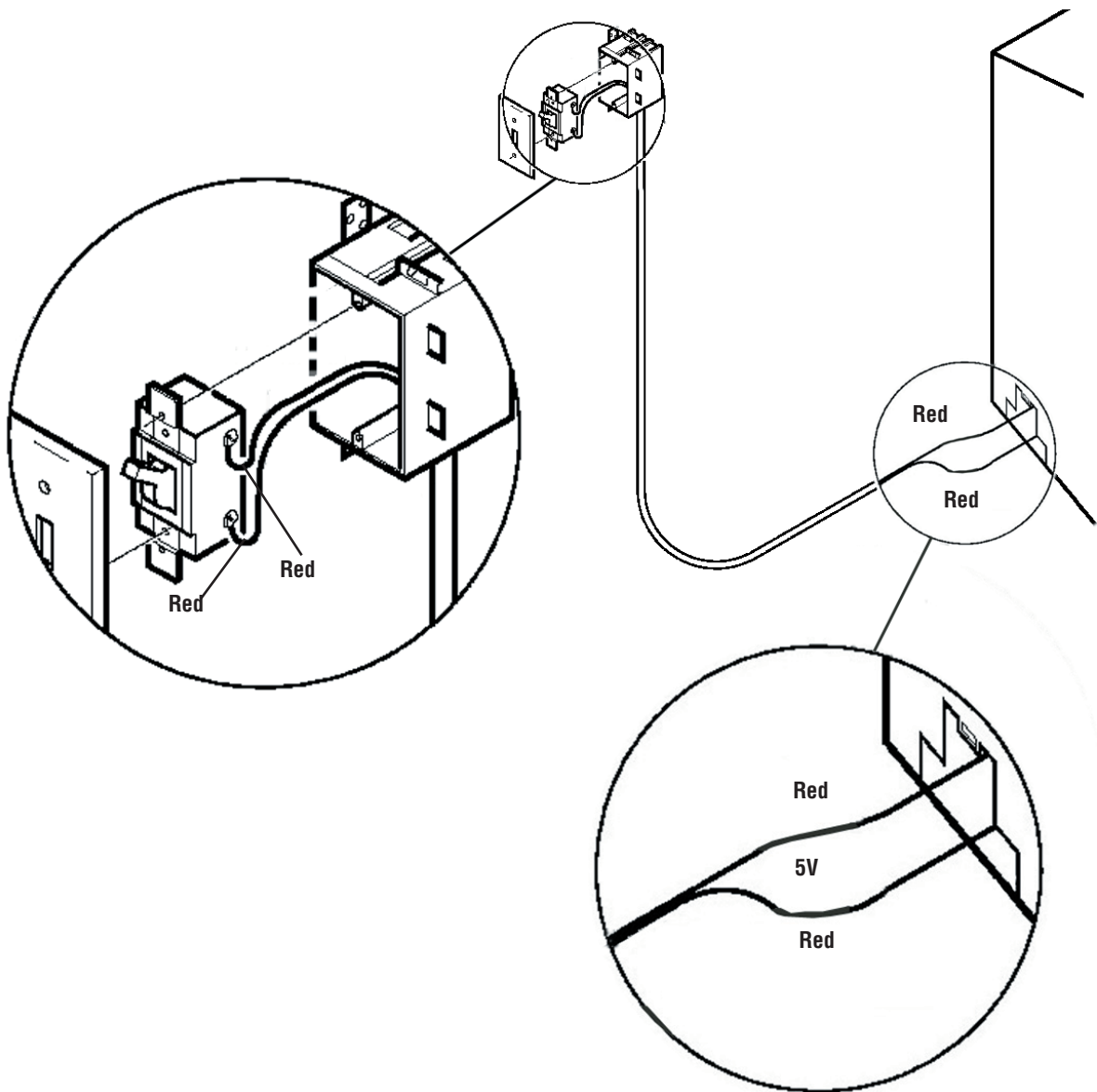
**Power On/Off Wall Switch Installation  
(optional kit, see page 18)**

Wire the wall switch prior to installing the fireplace.

**WALL SWITCH WIRING (24 VAC):**

Install Wall Switch per instructions provided with kit and per the following information:

1. Turn off circuit breaker.
2. Remove cover plate located on the left side of appliance.
3. Locate the 2 red wires and pull out the length needed to reach wall switch (15 feet max.).
4. Connect the red wires to the wall switch as shown in Figure 26. Follow instructions provided with wall switch kit.



**Figure 25**

NOTE: DIAGRAMS & ILLUSTRATIONS NOT TO SCALE.

## TROUBLESHOOTING

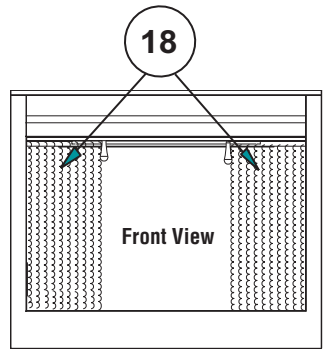
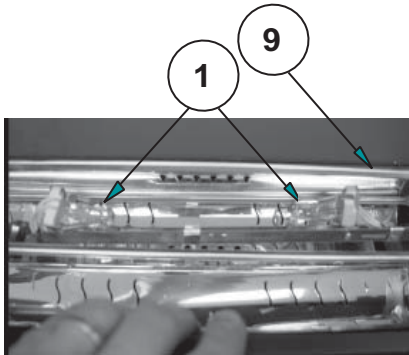
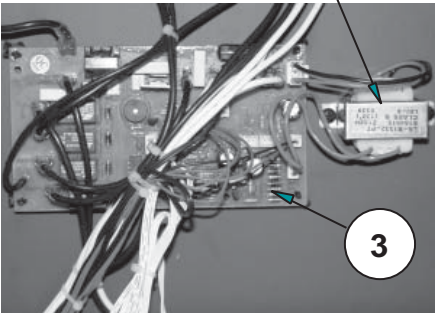
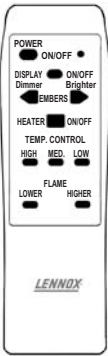
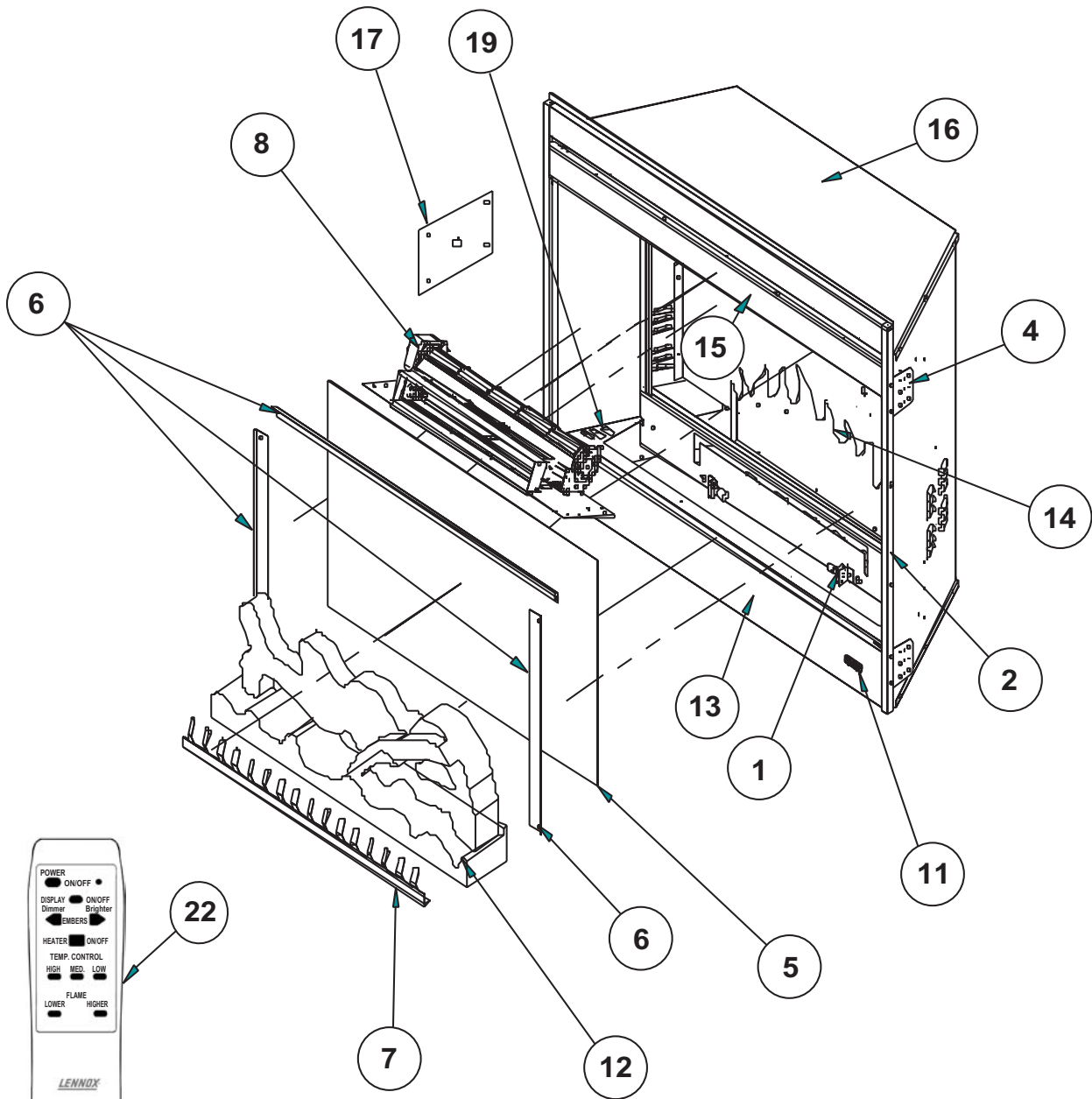
SYMPTOM	POSSIBLE CAUSES	WHO PERFORMS CORRECTIVE ACTION	CORRECTIVE ACTION
1. Fireplace turns off and will not turn on.	Fireplace has overheated.	Homeowner	The appliance is protected with a safety device to prevent it from overheating. If the fireplace should overheat, a thermal switch will disconnect power to the unit and will not come back on without being reset. Reset it by turning the main power switch off and waiting 5 minutes then turning it back on.
2. Flame is fixed (unmoving).	Wiring may be loose or the flame motor may be defective.	Qualified Service Technician	Inspect all wiring for loose connections. If the wire connections are good, replace the flame motor.
3. Dim or poorly visible flame or log set and ember is not glowing.	Light bulb(s) burnt out or wiring is loose.	Homeowner	Inspect all wiring for loose connections and repair or replace if necessary. Inspect light bulbs and replace if necessary.
4. Flame sputters.	Flame motor is defective.	Qualified Service Technician	Replace flame motor.
5. Remote control does not work.	Low batteries. Unit switch and/or wall switch in "ON" position.	Homeowner	Replace AA batteries in remote control. If problem persists, there may have been a loss of power to the unit as a possible result from a power failure (i.e. breaker tripped).  Turn off main power on/off switch (see Figure 4) and/or optional wall switch (if applicable).
6. Circuit breaker trips or fuse blows when the unit is turned on.	Improper circuit current rating.	Qualified Service Technician	Check the house circuit to ensure it is on a dedicated circuit with proper Amp. rating. If the circuit breaker continues to trip (or blown fuses), inspect wiring for a loose connection or a dead short. Repair or replace wiring and/or connectors as necessary.

## REPLACEMENT PARTS

ITEM NO.	DESCRIPTION	MPE-36R	
		CAT. NO.	QTY
1	Bulb Kit, (10 Each 35w Halogen)	H1623	1
2	Side Frames, 1 Left And 1 Right	H1624	1
3	Circuit Board And Remote Control Sensor	H1625	1
4	Nailing Flange Kit, (4 Each)	H1626	1
5	Glass Brick Panel	H1627	1
6	Glass Retaining Bracket Kit: Left, Right, & Top	H1628	1
7	Grate For Log Assembly	H1629	1
8	Blower, Heating Element, And Access Panel Assembly	H1630	1
9	Flame Cylinder Assembly	H1631	1
10	Flame Motor	H1632	1
11	Lennox Logo Kit (1 Each)	12L15	1
12	Log Assembly And Ember Bed	H1634	1
13	Panel, Bottom, Front	H1635	1
14	Panel, Flame Cover	H1636	1
15	Panel, Louver, Upper Front	H1637	1
16	Panel, Upper Frame Top	H1638	1
17	Electrical Outlet Cover Plate	H1639	1
18	Screen Set, Pull	H1640	1
19	Switch, Toggle (1 Each)	H1641	1
20	Transformer	H1642	1
21	Wire Harness	H1643	1
22	Remote Control, Electric, Rce	H1644	1

Note: If touch-up paint is needed, use Rustoleum®, Painter's Touch, Flat Black (part number 1976) available at most stores which sell aerosol touch-up paint.

# REPLACEMENT PARTS COMPONENT DIAGRAMS

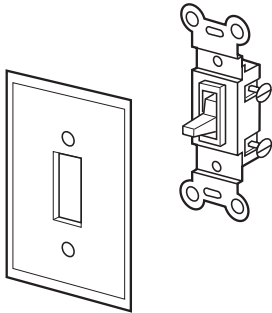


NOTE: DIAGRAMS & ILLUSTRATIONS NOT TO SCALE.

## ACCESSORY COMPONENTS

The following items are available for use with this appliance.

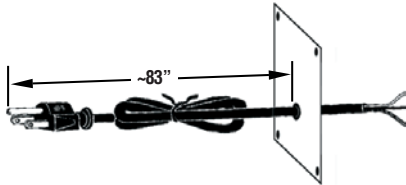
### Wall Switch Kit



Cat. No.	Model	Description
85L87	FWSK	Wall Switch Kit, White

### Power Cord Kit, 3-Prong, 110V

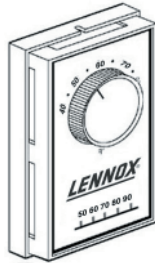
If a power cord is preferred instead of hard-wiring the power supply to the fireplace, this optional power cord kit is available (110 Volt installations only).



Cat. No.	Model	Description
H1645	PCK	Power Cord Kit, 3-Prong, 110V

### Wall Thermostat

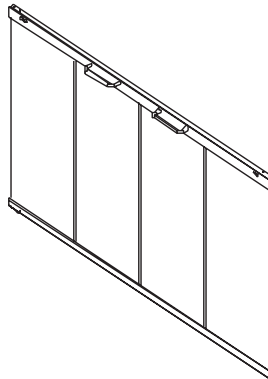
The wall thermostat kit provides temperature control for optimum comfort.



Cat. No.	Model	Description
89L36	WTK	Wall Thermostat Kit

### Glass Enclosure Kit

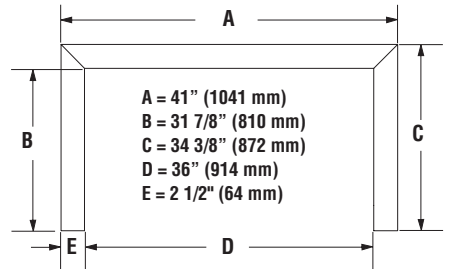
These glass enclosure panels are a one-piece panel, which have a bi-fold "look" as shown below.



Cat. No.	Model	Description
H1535	GEP-36BL	Glass Enclosure Panel, Black on Bronze
H1536	GEP-36PB	Glass Enclosure Panel, Brass on Bronze
H1537	GEP-36BS	Glass Enclosure Panel, Stainless on Bronze

### Trim Kit

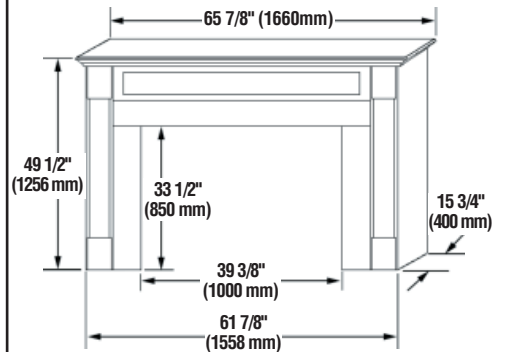
This kit contains trim panels used to finish the gaps between the wallboard or optional mantel and the fireplace, providing the appliance a finished built-in look.



Cat. No.	Model	Description
H1538	TK3-36BL	3-pc. Black Trim Kit, MPE-36R
H1539	TK3-36PB	3-pc. Brass Trim Kit, MPE-36R
H1540	TK3-36BS	3-pc. Stainless Trim Kit, MPE-36R

### Mantel Kit

Decorative mantel surrounds are available to provide a quick and beautiful "against the wall" installation in any location without the need for remodeling or construction.



Cat. No.	Model	Description
H1541	SK-36W	White Mantel Kit, MPE-36R
H1542	SK-36O	Oak Mantel Kit, MPE-36R

NOTE: DIAGRAMS & ILLUSTRATIONS NOT TO SCALE.

The manufacturer reserves the right to make changes at any time, without notice, in design, materials, specifications, prices and also to discontinue colors, styles and products. Consult your local distributor for fireplace code information.

# LENNOX®

## HEARTH PRODUCTS

1110 West Taft Avenue  
Orange, CA 92865