

WASH EX™

User Manual

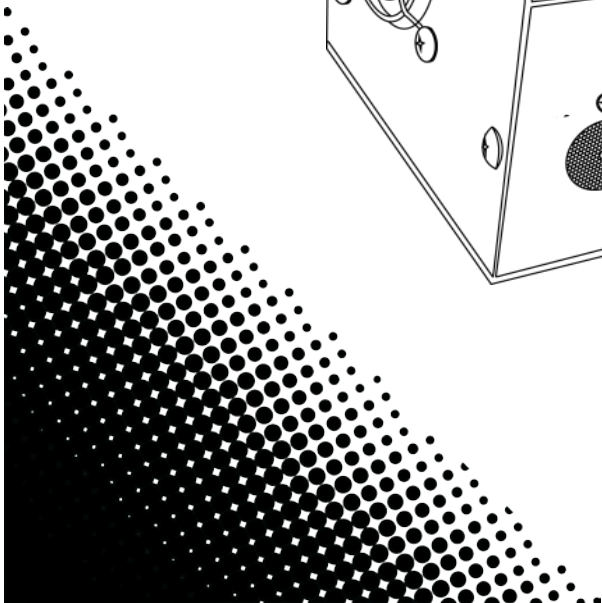
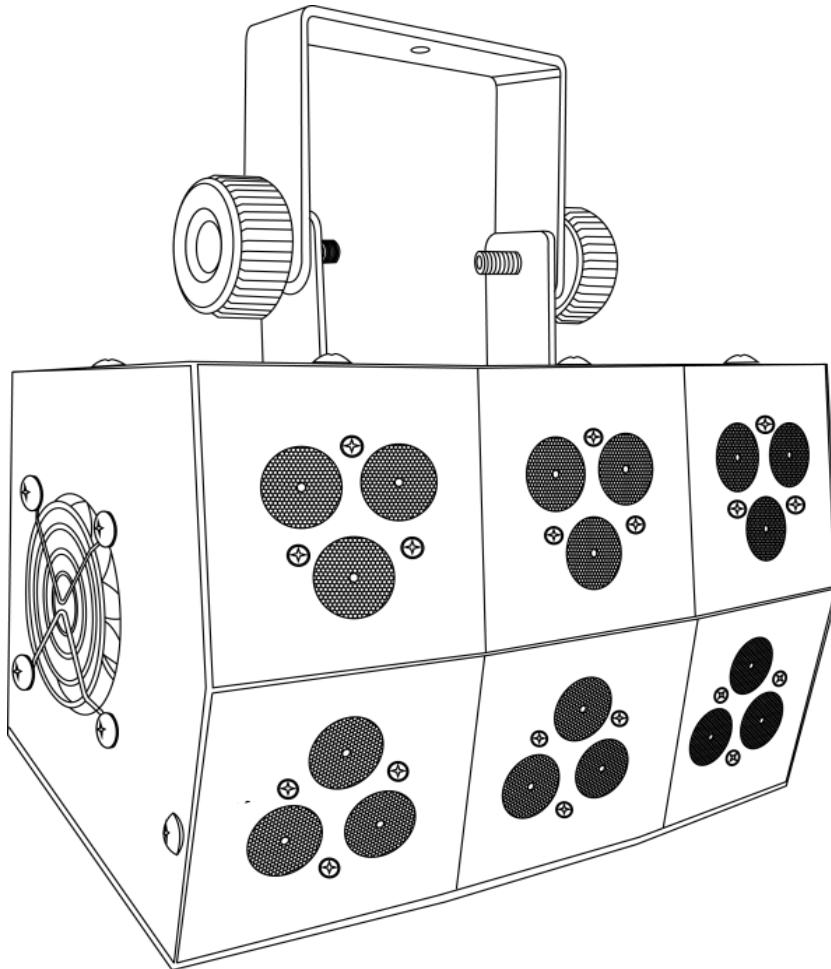


TABLE OF CONTENTS

1. Before You Begin	3
What Is Included	3
Unpacking Instructions	3
Claims.....	3
Text Conventions	3
Symbols	3
Disclaimer	3
Product at a Glance	4
Safety Notes.....	4
2. Introduction	5
Product Overview	5
Product Dimensions	6
3. Setup	7
AC Power	7
Fuse Replacement	7
Power Linking	7
Mounting	8
Orientation	8
Rigging	8
4. Operation	9
Control Panel Operation.....	9
Menu Map	9
DMX Linking.....	10
Configuration (DMX)	10
DMX Personalities	10
Starting Address	10
DMX Channel Assignments and Values	11
23CH	11
23CH (Cont.)	12
7CH	12
Wash™ FX Zones for DMX Control.....	12
Configuration (Standalone)	13
Automatic Mode (including Sound-Active Mode)	13
Custom Color Mixing and Strobe Modes	14
Preset Static Color Mode.....	14
Display Orientation	14
Display Time-Out.....	14
Software Version	14
Master/Slave Mode.....	15
5. Maintenance	16
Product Maintenance	16
6. Technical Specifications.....	17
Returns.....	18
Contact Us	19

1. BEFORE YOU BEGIN

What Is Included

- Wash FX™
- Power Cord
- Warranty Card
- Quick Reference Guide

Unpacking Instructions

Carefully unpack the product immediately and check the container to make sure all the parts are in the package and are in good condition.

Claims




If the box or the contents (the product and included accessories) appear damaged from shipping, or show signs of mishandling, notify the carrier immediately, not Chauvet. Failure to report damage to the carrier immediately may invalidate your claim. In addition, keep the box and contents for inspection.

For other issues, such as missing components or parts, damage not related to shipping, or concealed damage, file a claim with Chauvet within 7 days of delivery.

Text Conventions

Convention	Meaning
1—512	A range of values
50/60	A set of values of which only one can be chosen
Settings	A menu option not to be modified
Menu > Settings	A sequence of menu options to be followed
<ENTER>	A key to be pressed on the product's control panel
ON	A value to be entered or selected

Symbols

Symbol	Meaning
	Critical installation, configuration, or operation information. Not following these instructions may make the product not work, cause damage to the product, or cause harm to the operator.
	Important installation or configuration information. The product may not function correctly if this information is not used.
	Useful information.

Disclaimer

The information and specifications contained in this document are subject to change without notice. Chauvet assumes no responsibility or liability for any errors or omissions that may appear in this manual. Chauvet reserves the right to update the existing document or to create a new document to correct any errors or omissions.

You can download the latest version of this document from www.chauvetlighting.com.

© Copyright 2015 Chauvet. All rights reserved.

Electronically published by Chauvet in the United States of America.

Author	Date	Editor	Updated
R. Isenstadt	02/12/15	A. Leon	02/19/15

Product at a Glance

Use on Dimmer	X	Auto Programs	P
Outdoor Use	X	Auto-ranging Power Supply	P
Sound-Active	P	Replaceable Fuse	P
DMX	P	User-Serviceable	X
Master/Slave	P		

Safety Notes

Please read the following Safety Notes carefully before working with the product. The Notes include important safety information about installation, usage, and maintenance.



- Always connect the product to a grounded circuit to avoid the risk of electrocution.
- Always disconnect the product from the power source before cleaning or replacing the fuse.
- Avoid direct eye exposure to the light source while the product is on.
- Make sure the power cord is not crimped or damaged.
- Never disconnect the product from power cord by pulling or tugging on the cord.
- If mounting the product overhead, always secure to a fastening device using a safety cable.
- Make sure there are no flammable materials close to the product when operating.
- Do not touch the product's housing when operating because it may be very hot.



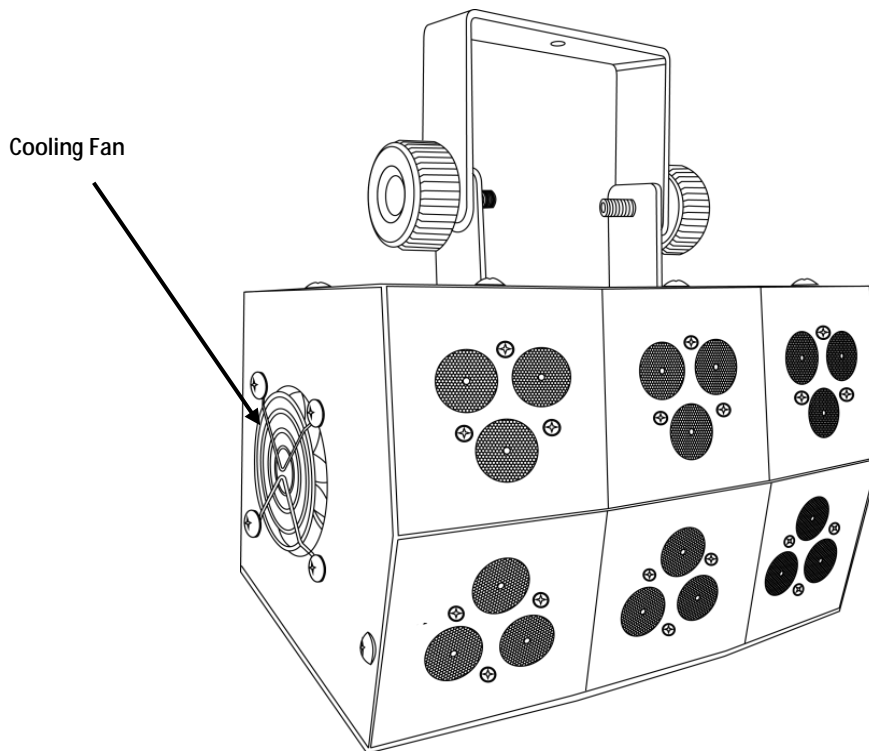
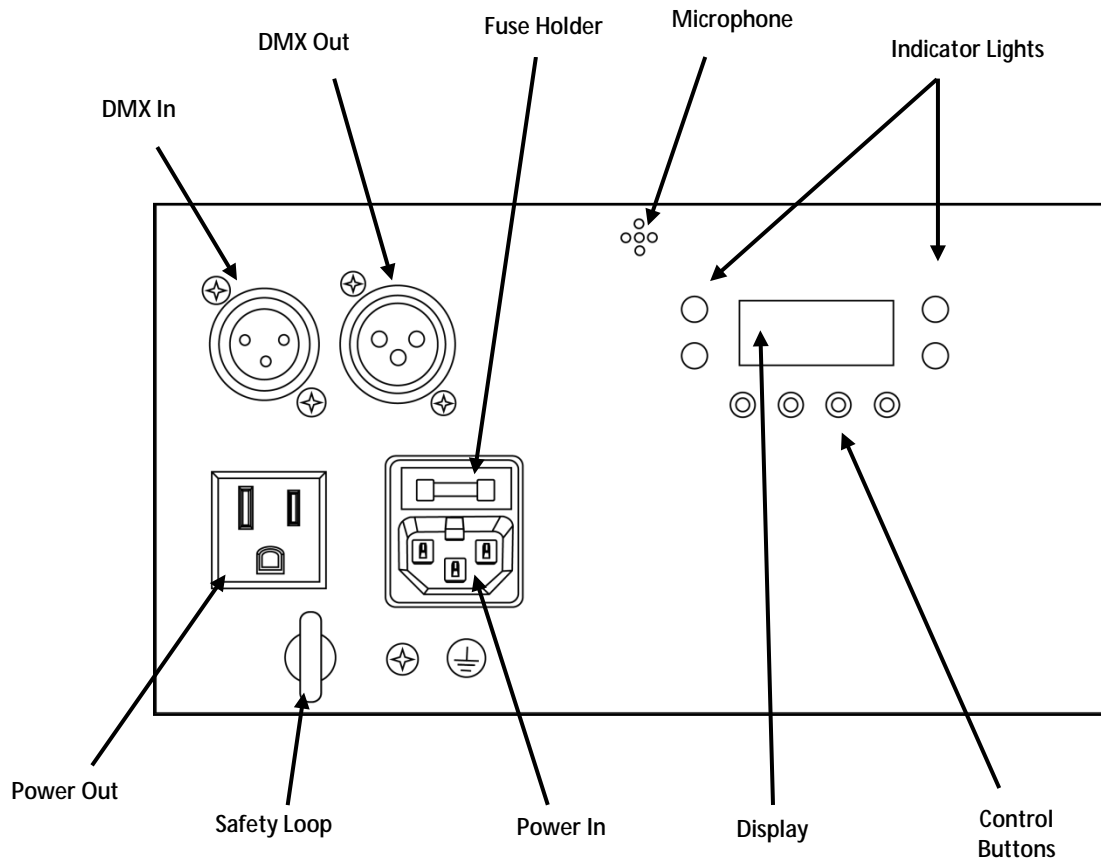
- The product is not intended for permanent installation.
- Always make sure that the voltage of the outlet to which you are connecting the product is within the range stated on the decal or rear panel of the product.
- The product is for indoor use only! (IP20) To prevent risk of fire or shock, do not expose the product to rain or moisture.
- Always install the product in a location with adequate ventilation, at least 20 in (50 cm) from adjacent surfaces.
- Be sure that no ventilation slots on the product's housing are blocked.
- Never connect the product to a dimmer.
- Make sure to replace the fuse with another of the same type and rating.
- Never carry the product from the power cord or any moving part. Always use the hanging/mounting bracket.
- The maximum ambient temperature (Ta) is 104 °F (40 °C). Do not operate the product at higher temperatures.
- In the event of a serious operating problem, stop using the product immediately.
- Never try to repair the product. Repairs carried out by unskilled people can lead to damage or malfunction. Please contact the nearest authorized technical assistance center.
- To eliminate unnecessary wear and improve its lifespan, during periods of non-use completely disconnect the product from power via breaker or by unplugging it.



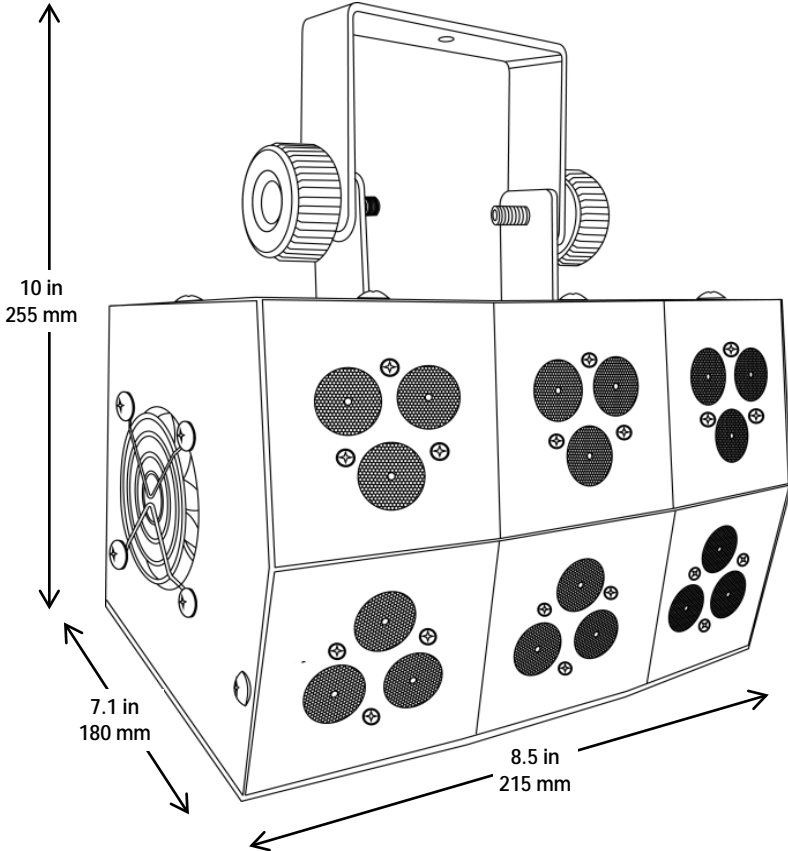
- Keep this User Manual for future use. If you sell the product to someone else, be sure that they also receive this document.

2. INTRODUCTION

Product Overview



Product Dimensions



3. SETUP

AC Power

The Wash FX™ has an auto-ranging power supply and it can work with an input voltage range of 100 to 240 VAC, 50/60 Hz. To determine the product's power requirements (circuit breaker, power outlet, and wiring), use the current value listed on the label affixed to the product's back panel, or refer to the product's specifications chart. The listed current rating indicates the product's average current draw under normal conditions.

Always connect the product to a protected circuit (circuit breaker or fuse). Make sure the product has an appropriate electrical ground to avoid the risk of electrocution or fire.



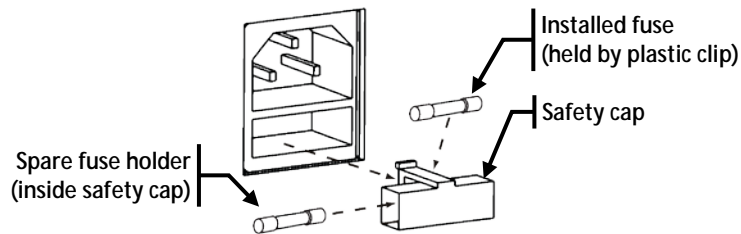
To eliminate unnecessary wear and improve its lifespan, during periods of non-use completely disconnect the product from power via breaker or by unplugging it.



Never connect the product to a rheostat (variable resistor) or dimmer circuit, even if the rheostat or dimmer channel serves only as a 0 to 100% switch.

Fuse Replacement

1. Wedge the tip of a flat-head screwdriver into the slot of the fuse holder.
2. Pry the fuse holder out of the housing.
3. Remove the blown fuse from the holder and replace with a fuse of the exact same type and rating.
4. Insert the fuse holder back in place and reconnect power.

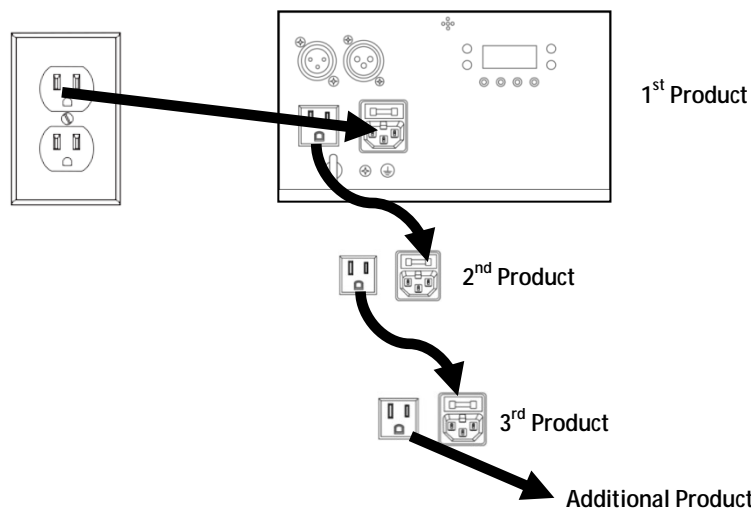


Disconnect the product from the power outlet before replacing the fuse.

Power Linking

The product provides power linking via the Edison outlet located in the back of the unit. Please see the diagram below for further explanation.

Power Linking Diagram



You can power link up to 11 Wash FX™ units on 120 VAC or up to 22 Wash FX™ units on 230 VAC.



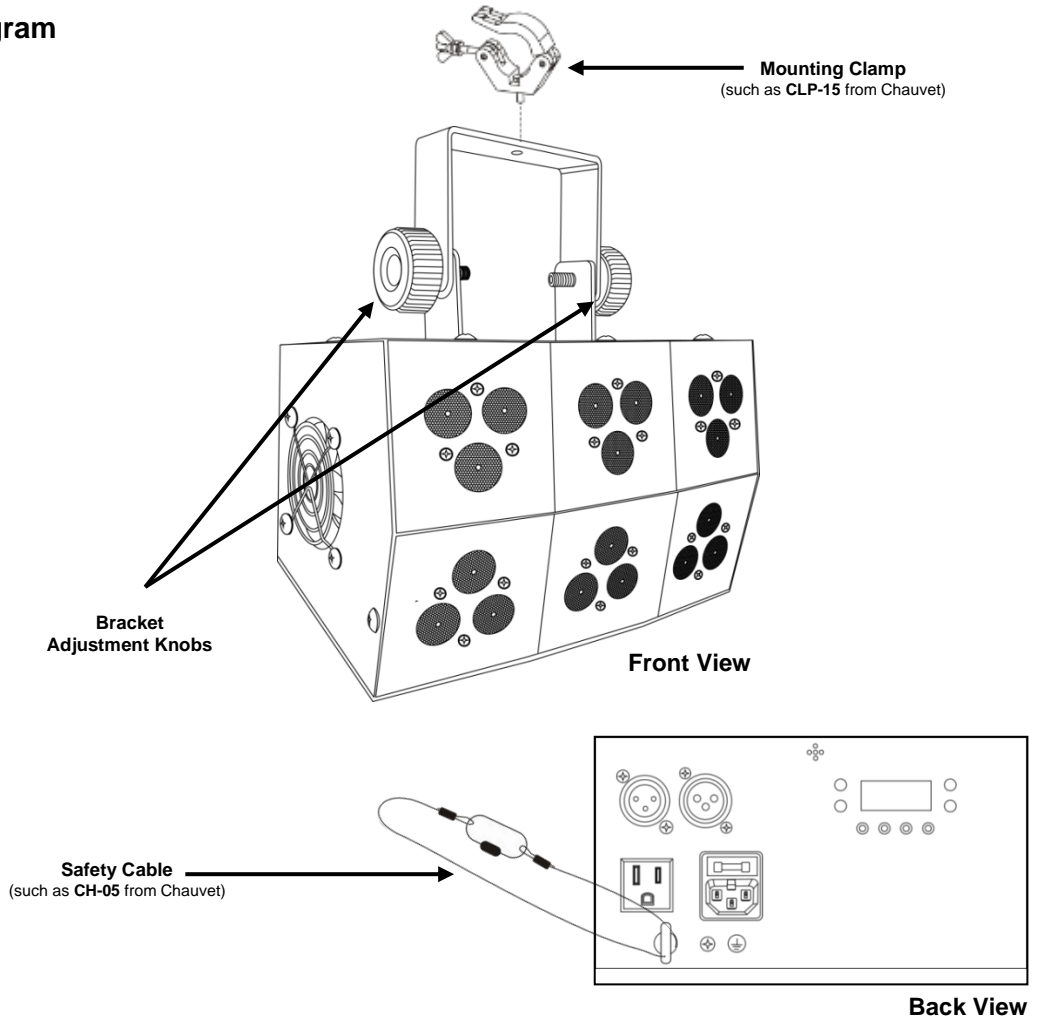
The power linking diagram corresponds to the North American version of the product ONLY! If using the product in other markets, you must consult with the local Chauvet distributor as power linking connectors and requirements may differ in your country or region.

Mounting Before mounting the product, read and follow the safety recommendations indicated in the [Safety Notes](#).

Orientation The Wash FX™ may be mounted in any position; however, make sure adequate ventilation is provided around the product.

- Rigging**
- Before deciding on a location for the product, always make sure there is easy access to the product for maintenance and programming purposes.
 - Make sure that the structure onto which you are mounting the product can support the product's weight. See the [Technical Specifications](#) for weight information.
 - When mounting the product overhead, always use a safety cable. Mount the product securely to a rigging point, whether an elevated platform or a truss.
 - When rigging the product onto a truss, use a mounting clamp of appropriate weight capacity.
 - When power linking multiple products, mount the products close enough for power linking cables to reach.
 - The bracket adjustment knobs allow for directional adjustment when aiming the product to the desired angle. Only loosen or tighten the bracket knobs manually. Using tools could damage the knobs.

Mounting Diagram



4. OPERATION

Control Panel Operation To access the control panel functions, use the four buttons located underneath the display. Please refer to the [Product Overview](#) to see the button locations on the control panel.

Button	Function
<MENU>	Press to find an operation mode or to back out of the current menu option
<UP>	Press to scroll up the list of options or to find a higher value
<DOWN>	Press to scroll down the list of options or to find a lower value
<ENTER>	Press to activate a menu option or a selected value

Menu Map

Mode	Programming Steps		Description	
DMX Mode	Addr	001–512	Selects the DMX starting address	
Software Version	Ver	XX.XX	Displays the software version	
Display Orientation	dISP	dISP	Normalizes the display	
		dSIP	Inverts the display	
Display Time-Out	LEd	on	Turns Display Time-Out on	
		oFF	Turns Display Time-Out off	
Custom Color Mode	VAL	rEd	0–255	Sets red value
		GrEE	0–255	Sets green value
		bLUE	0–255	Sets blue value
		So1		Selects strobe speed 1
		So2		Selects strobe speed 2
		So3		Selects strobe speed 3
Preset Color Mode	CoLo	C1–C9	Sets to a preset color	
Automatic Mode	AUto	rUn	Runs auto program	
Slave Mode	SLnd	SL-0	Sets to Slave mode 0	
		SL-1	Sets to Slave mode 1	
DMX Personality	CHnd	7CH	Selects 7CH Mode	
		23CH	Selects 23CH Mode	

DMX Linking

The WASH™ FX works with a DMX controller. Information about DMX is in the CHAUVET® DMX Primer, which is available from the Chauvet website http://www.chauvetlighting.com/downloads/DMX_Primer_rev05_WO.pdf.

Configuration (DMX)

Set the product in DMX mode to control with a DMX controller.

1. Connect the product to a suitable power outlet.
2. Connect a DMX cable from the DMX output of the DMX controller to the DMX input socket on the product.

DMX Personalities

The WASH™ FX has two DMX personalities, a 7-channel personality and a 23-channel personality.

To choose which DMX personality to use, follow the steps below:

1. Press **<MENU>** repeatedly to reach the menu's main level and **Addr** shows on the display.
2. Use **<UP>** or **<DOWN>** to select **CHnd**.
3. Press **<ENTER>** and either **7CH** or **23CH** will show on the display.
4. Use **<UP>** or **<DOWN>** to select the desired DMX personality.
5. Press **<ENTER>**.

Starting Address

When selecting a starting DMX address, always consider the number of DMX channels the selected DMX mode uses. If you choose a starting address that is too high, you could restrict the access to some of the product's channels.

The WASH™ FX uses up to 23 DMX channels, which defines the highest configurable address to **490**.

If you are not familiar with the DMX protocol, download the DMX Primer from www.chauvetlighting.com.

To select the starting address, do the following:

1. Press **<MENU>** repeatedly to reach the menu's main level and **Addr** shows on the display.
2. Press **<ENTER>** and **001-d512** will show on the display.
3. Use **<UP>** or **<DOWN>** to select the starting address.
4. Press **<ENTER>**.

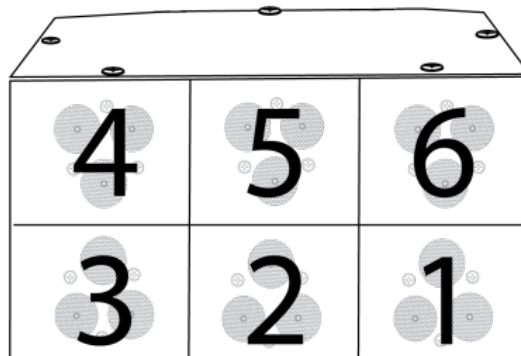
DMX Channel Assignments and Values

23CH	Channel	Function	Value	Percent/Setting
	1	Master Dimmer	000ó 255	0–100% (only channels 6 to 23)
	2	Auto Program	000ó 005	No function
			006ó 020	Pattern 1
			021ó 035	Pattern 2
			036ó 050	Pattern 3
			051ó 065	Pattern 4
			066ó 080	Pattern 5
			081ó 095	Pattern 6
			096ó 110	Pattern 7
			111ó 125	Pattern 8
			126ó 140	Pattern 9
			141ó 155	Pattern 10
			156ó 170	Pattern 11
			171ó 185	Pattern 12
			186ó 200	Pattern 13
			201ó 215	Pattern 14
			216ó 230	Pattern 15
	231ó 245	Pattern 16		
	246ó 255	Sound-Active		
	3	Auto Program Speed	000ó 255	Slow to fast
	4	Strobe	000ó 255	0–20 Hz, slow to fast
	5	Auto or Sound Program	000ó 010	No function
			011ó 127	Auto
			128ó 255	Sound-Active
	6	Red Zone 1	000ó 255	0–100%
	7	Green Zone 1	000ó 255	0–100%
	8	Blue Zone 1	000ó 255	0–100%
	9	Red Zone 2	000ó 255	0–100%
	10	Green Zone 2	000ó 255	0–100%
	11	Blue Zone 2	000ó 255	0–100%
	12	Red Zone 3	000ó 255	0–100%
	13	Green Zone 3	000ó 255	0–100%
	14	Blue Zone 3	000ó 255	0–100%
	15	Red Zone 4	000ó 255	0–100%
	16	Green Zone 4	000ó 255	0–100%
	17	Blue Zone 4	000ó 255	0–100%
	18	Red Zone 5	000ó 255	0–100%
	19	Green Zone 5	000ó 255	0–100%
	20	Blue Zone5	000ó 255	0–100%

23CH (Cont.)	Channel	Function	Value	Percent/Setting
	21	Red Zone 6	000ó 255	0–100%
	22	Green Zone 6	000ó 255	0–100%
	23	Blue Zone 6	000ó 255	0–100%

7CH	Channel	Function	Value	Setting
	1	Red	000ó 255	0–100%
	2	Green	000ó 255	0–100%
	3	Blue	000ó 255	0–100%
	4	Strobe	000ó 255	0–20 Hz, slow to fast
	5	Auto Program	000ó 005	No function
			006ó 020	Pattern 1
			021ó 035	Pattern 2
			036ó 050	Pattern 3
			051ó 065	Pattern 4
			066ó 080	Pattern 5
			081ó 095	Pattern 6
			096ó 110	Pattern 7
			111ó 125	Pattern 8
			126ó 140	Pattern 9
			141ó 155	Pattern10
			156ó 170	Pattern 11
			171ó 185	Pattern 12
			186ó 200	Pattern 13
	201ó 215	Pattern 14		
	216ó 230	Pattern 15		
	231ó 245	Pattern 16		
	246ó 255	Sound-Active		
	6	Auto Program Speed	000ó 255	Slow to fast
	7	Auto or Sound Program	000ó 010	No function
			011ó 127	Auto
			128ó 255	Sound-Active

Wash™ FX Zones for DMX Control



Configuration (Standalone)

Set the product in one of the standalone modes to control without a DMX controller.

- Connect the product to a suitable power outlet.



Never connect a product that is operating in any standalone mode to a DMX string connected to a DMX controller. Products in standalone mode may transmit DMX signals that could interfere with the DMX signals from the controller.

Automatic Mode (including Sound- Active Mode)

To run the Wash™ FX in automatic mode, follow the instructions below:

1. Press **<MENU>** to reach the menu's main level and **Addr** shows on the display.
2. Use **<UP>** or **<DOWN>** until **AUto** shows on the display.
3. Press **<ENTER>** and **rUn** will show on the display.
4. Press **<ENTER>**.

NOTE: While in Automatic mode, the Wash™ FX will respond to sound.



The product will only respond to low frequencies of music (bass and drums).

Custom Color Mixing and Strobe Modes

To custom mix a color and select the strobe speed, follow the instructions below:

1. Press **<MENU>** to reach the menu's main level and **Addr** shows on the display.
2. Use **<UP>** or **<DOWN>** until **VAL** shows on the display.
3. Press **<ENTER>** and one of the following will show on the display:
 - **rEd** (red)
 - **GrEE** (green)
 - **bLUE** (blue)
 - **So1** (strobe, slow speed)
 - **So2** (strobe, medium speed)
 - **So3** (strobe, fast speed)
4. Use **<UP>** or **<DOWN>** to select the desired color or the strobe speed setting.
5. When the desired color or strobe speed shows on the display, press **<ENTER>**. With the color options, after pressing **<ENTER>**, the color value **0–255** (0–100%) shows on the display. Use **<UP>** or **<DOWN>** to select the desired color value.
NOTE: Selecting **0** will turn the color off.
6. Press **<ENTER>** to set the color value/strobe speed.
7. Repeat steps 4 to 6 until you have your desired color and strobe speed.
NOTE: For no strobe effect, do not press **<ENTER>** when a strobe option shows on the display

Preset Static Color Mode

To select a preset static color, do the following:

1. Press **<MENU>** to reach the menu's main level and **Addr** shows on the display.
2. Use **<UP>** or **<DOWN>** until **CoLo** shows on the display.
3. Press **<ENTER>** and **C1-C9** will show on the display.
4. Use the **<UP>** and **<DOWN>** buttons to select the desired color.
5. Press **<ENTER>**.

Display Orientation

To set the orientation of the display, follow the instructions below:

1. Press **<MENU>** to reach the menu's main level and **Addr** shows on the display.
2. Use **<UP>** or **<DOWN>** until **dISP** or **dSIP** shows on the display.
3. Press **<ENTER>**.
4. Use **<UP>** or **<DOWN>** to select either:
 - **dISP** for normal mode.
 - **dSIP** for inverted mode.
5. Press **<ENTER>**.

Display Time-Out

To set the display to turn off after inactivity or not, do the following:

1. Press **<MENU>** to reach the menu's main level and **Addr** shows on the display.
2. Use **<UP>** or **<DOWN>** until **LEd** shows on the display.
3. Press **<ENTER>**.
4. Use **<UP>** or **<DOWN>** to select either:
 - **on** to set the display to turn off after inactivity.
 - **oFF** to set the display to stay on at all times.
5. Press **<ENTER>**.

Software Version

To view the software version, do the following:

1. Press **<MENU>** to reach the menu's main level and **Addr** shows on the display.
2. Use **<UP>** or **<DOWN>** until **Ver** shows on the display.
3. Press **<ENTER>**.

Master/Slave Mode

The Master/Slave mode allows a single Wash™ FX (the master) to control the actions of one or more Wash™ FX products (the slaves) without the need of a DMX controller. The master will be set to operate in either Custom or Sound-Active mode, or an auto program, while the slave units will be set to operate in Slave mode. Once set and connected, the slaves will operate in unison with the master unit.

Configure the units as indicated below.

Slave units:

1. Press **<MENU>** repeatedly until **SLnd** shows on the display.
2. Press **<ENTER>** and **SL-0** or **SL-1** will show on the display.
Note: **SL-0** and **SL-1** currently have the same functionality. Any differentiation between the two options is reserved for future use.
3. Use **<UP>** or **<DOWN>** to select the slave mode.
4. Connect the DMX input of the first slave unit to the DMX output of the master.
5. Connect the DMX input of the subsequent slaves to the DMX output of the previous slave.
6. Finish setting and connecting all the slaves.

Master unit:

1. Set the master to operate in Custom, Preset, or Auto mode.
2. Make the master unit the first unit in the daisy chain.



- **Configure all the slave units before connecting the master to the daisy chain.**
- **Never connect a DMX controller to a DMX string configured for Master/Slave operation because the controller may interfere with the signals from the master.**
- **Do not connect more than 31 slaves to the master.**

5. MAINTENANCE

Product Maintenance

Dust build-up reduces light output performance and can cause overheating. This can lead to reduction of the light source's life and/or mechanical wear. To maintain optimum performance and minimize wear, clean your lighting products at least twice a month. However, be aware that usage and environmental conditions could be contributing factors to increase the cleaning frequency.

To clean the product, follow the instructions below:

1. Unplug the product from power.
2. Wait until the product is at room temperature.
3. Use a vacuum (or dry compressed air) and a soft brush to remove dust collected on the external surface/vents.
4. Clean all transparent surfaces with a mild soap solution, ammonia-free glass cleaner, or isopropyl alcohol.
5. Apply the solution directly to a soft, lint free cotton cloth or a lens cleaning tissue.
6. Softly drag any dirt or grime to the outside of the transparent surface.
7. Gently polish the transparent surfaces until they are free of haze and lint.



Always dry the transparent surfaces carefully after cleaning them.



Do not spin the cooling fans using compressed air because you could damage them.

6. TECHNICAL SPECIFICATIONS

Dimensions and Weight	Length	Width	Height	Weight
	8.5 in (215 mm)	7.1 in (180 mm)	10 in (255 mm)	4.8 lb (2.2 kg)

Note: Dimensions in inches rounded to the nearest decimal digit.

Power	Power Supply Type	Range	Voltage Selection
	Switching (internal)	100 to 240 VAC, 50/60 Hz	Auto-ranging

Parameter	120 V, 60 Hz	230 V, 50 Hz
Consumption	77 W	75 W
Operating Current	1.2 A	0.6 A
Power linking current (units)	13.6 A (11 units)	13.6 A (22 units)
Fuse	F 3 A, 250 V	F 3 A, 250 V

Power I/O	U.S./Worldwide	UK/Europe
Power input connector	IEC	IEC
Power output connector	Edison	IEC
Power Cord plug	Edison (U.S.)	Local plug

Light Source	Type	Power	Lifespan
	LED	4 W	50,000 hours

Color	Quantity	Current
Tri-color RGB	18	1.4 A

Photometrics	Parameter	
	Coverage angle	90°
	Strobe Rate	0 to 20 Hz
	Illuminance	790 lux @ 2m (per zone)

Thermal	Maximum External Temp.	Cooling System
	104 °F (40 °C)	Fan-assisted Convection

DMX	I/O Connectors	Channel Range
	3-pin XLR	7 or 23

Ordering	Product Name	Item Code	UPC Number
	Wash™ FX	07050844	781462211929



Returns

To return a product or request support:

- In the U.S., contact Chauvet World Headquarters (See [Contact Us](#)).
- In the UK or Ireland, contact Chauvet Europe Ltd. (See [Contact Us](#)).
- In Mexico, contact Chauvet Mexico. (See [Contact Us](#)).
- In any other country, DO NOT contact Chauvet. Instead, contact your lighting distributor. See www.chauvetlighting.com for distributors outside the U.S., UK, Ireland, or Mexico.



Outside the U.S., UK, Ireland, or Mexico, contact your distributor and follow their instructions on how to return Chauvet products to them. Visit our website for contact details.

Call the corresponding Chauvet Technical Support office and request a Return Merchandise Authorization (RMA) number before shipping the product. Be prepared to provide the model number, serial number, and a brief description of the cause for the return.

You must send the merchandise prepaid, in its original box, and with its original packing and accessories. Chauvet will not issue call tags.

Clearly label the package with the RMA number. Chauvet will refuse any product returned without an RMA number.



Write the RMA number on a properly affixed label. DO NOT write the RMA number directly on the box.

Before sending the product, clearly write the following information on a piece of paper and place it inside the box:

- Your name
- Your address
- Your phone number
- RMA number
- A brief description of the problem

Be sure to pack the product properly. Any shipping damage resulting from inadequate packaging will be your responsibility. FedEx packing or double-boxing are recommended.



Chauvet reserves the right to use its own discretion to repair or replace returned product(s).

CONTACT US

WORLD HEADQUARTERS - Chauvet

General Information

Address: 5200 NW 108th Avenue
Sunrise, FL 33351
Voice: (954) 577-4455
Fax: (954) 929-5560
Toll free: (800) 762-1084

Technical Support

Voice: (954) 577-4455 (Press 4)
Fax: (954) 756-8015
Email: tech@chauvetlighting.com

World Wide Web www.chauvetlighting.com

UNITED KINGDOM AND IRELAND - Chauvet Europe Ltd.

General Information

Address: Unit 1C
Brookhill Road Industrial Estate
Pinxton, Nottingham, UK
NG16 6NT
Voice: +44 (0)1773 511115
Fax: +44 (0)1773 511110

Technical Support

Email: uktech@chauvetlighting.com

World Wide Web www.chauvetlighting.co.uk

MEXICO - Chauvet Mexico

General Information

Address: Av. Santa Ana 30
Parque Industrial Lerma
Lerma, Mexico C.P. 52000
Voice: +52 (728) 285-5000

Technical Support

Email: servicio@chauvet.com.mx

World Wide Web www.chauvet.com.mx

Outside the U.S., United Kingdom, Ireland, or Mexico, contact the dealer of record and follow their instructions to request support or to return a product. Visit the Chauvet website for contact information.