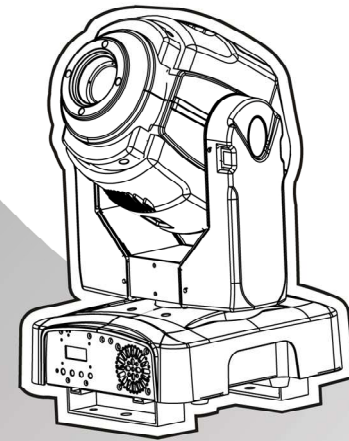


**Moving head spot**  
**Tong-Da Industry Co., Ltd**

**<http://www.ur.url.tw/>**



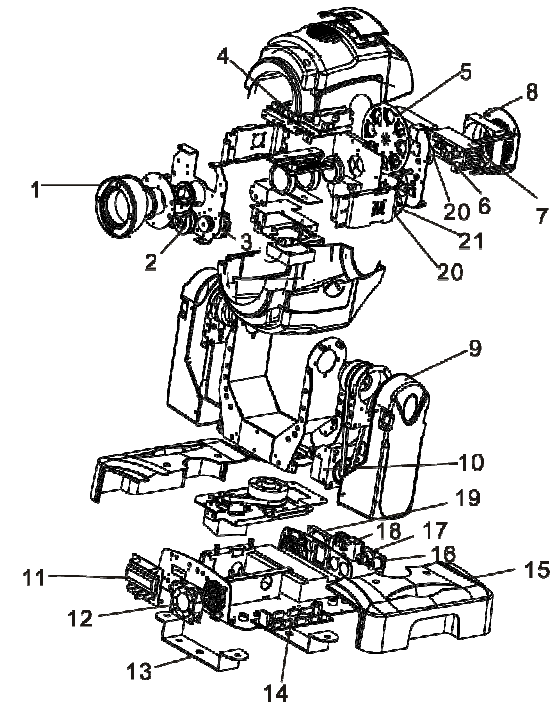
**INDIGO 2000**

**INDIGO 3000**

# TABLE OF CONTENTS

PART 1 PRODUCT (GENERAL).....	1.
1.1—PRODUCT INTRODUCTION.....	1.
1.2--PRODUCT OVERVIEW.....	1.
1.3--TECHNICAL SPECIFICATIONS.....	2.
1.4--PHOTOMETRIC DATA.....	3.
1.5--SAFETY WARNING.....	3.
PART	2
INSTALLATION .....	4.
2.1--MOUNTING.....	4.
2.2--SETTING UP(MASTER/SLAVE) .....	5.
2.3--SETTING UP (DMX512 CONTROLLER).....	7.
2.4--LED PCB REPLACEMENT .....	6.
2.5--GOBO REPLACEMENT.....	6.
2.6--FUSE REPLACEMENT.....	7.
PART 3 DISPLAY PANEL	
OPERATION.....	7.
3.1--BASIC.....	7.
3.2--MENU.....	8.
3.3--INTRO.....	9.
3.4--INVERT.....	10.
3.5--RANGE.....	10.
3.6--SPECIAL.....	10.
3.7--EDIT.....	11.
3.8--DEFAULT .....	11.
PART 4 USING A DMX512	
CONTROLLER.....	12.
4.1--BASIC ADDRESSING.....	12.
4.2--CHANNEL ASSIGNMENT .....	12.
PART 5	
APPENDIX.....	16.
5.1--TROUBLE SHOOTING.....	16.
5.2--MAINTENANCE.....	17.

## 5.2 MAINTENANCE



No	ITEM	No	ITEM
1	Front lense cover	12	Base fan
2	Prism	13	Bracket
3	Motot	14	X/Y PCB
4	Motor driver PCB	15	Base cover
5	Rotation gobo wheel	16	XLR socket B
6	LED PCB	17	XLR socket A
7	Heat sink	18	Power socket
8	Head fan	19	On/Off
9	Arm	20	Fixed gobo wheel
10	Motor	21	Color wheel
11	Display PCB		

## 5 APPENDIX

### 5.1 TROUBLE SHOOTING

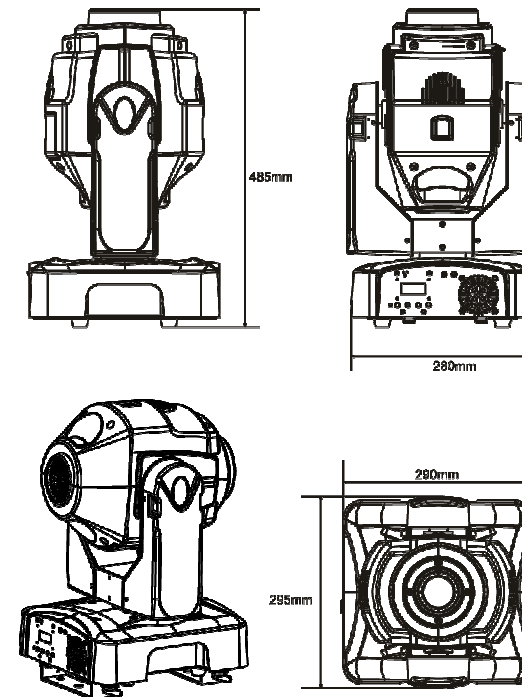
SITUATION	CAUSE	ACTION
<b>No power</b>	Power connection error	Check all Power connectons
	Fuse damaged	Replace Fuse
	Power supply damaged	Replace Power supply
	Power switch damaged	Replace Power switch
<b>LED not lit</b>	LED driver PCB damaged	Replace LED driver PCB
	LED PCB damaged	Replace LED PCB
	LED PCB connection error	Check the connections
<b>Fan do not work</b>	Head fan error	Fan # (60x60x20)
		Check the LED driver PCB
	Base fan error	Fan #(40x40x10)
		Check the power supply
<b>Fixture reset normal, But not be controlled</b>	Display PCB damaged	Replaced Display PCB
	DMX PCB damaged or DMX signal connection error	Check DMX signal connection or replace DMX PCB
<b>Prism error</b>	Motor damaged	Replace motor
	Prism belt broken	Replace belt
<b>Color wheel error</b>	Motor damaged	Replace motor
	Sensor PCB damaged	Replace sensor
<b>Gobo wheel error</b>	Motor damaged	Replace motor
	Gobo wheel blocked	Check or replace the gobo wheel
	Sensor PCB damaged	Replace the sensor
<b>Pan movement error</b>	Motor damaged	Replace Pan motor
	Pan belt broken	Replace pan belt
	Magnetic sensor PCB	Replace the magnetic sensor
	Optical sensor damaged	Replace the optical sensor
<b>Tilt movement error</b>	Motor damaged	Replace Tilt motor
	Tilt belt broken	Replace tilt belt
	Magnetic sensor PCB	Replace the magnetic sensor
	Optical sensor damaged	Replace the optical sensor

## 1 PRODUCT (GENERAL)

### 1.1 PRODUCT INTRODUCTION

This product is designed for indoor use only. Suitable for stage, bar or nightclub applications. Direct input of DMX512 signal allows the fixtures to be controlled from any DMX512 controller. The fixture is fully programmable with one custom program available and is supplied with two automatic programs (all accessible from DMX512 controller). This product can be operated as a single unit or with multiple units for large applications.

### 1.2 PRODUCT OVERVIEW



## 1.3 PRODUCT SPECIFICATIONS

### Electrical

- ◆ Voltage: AC100~240V 50/60Hz
- ◆ Rated Power: 150W

### LED

- ◆ LED: 1PC(60W white)
- ◆ Cooling: Forced air convection

### Optical System

- ◆ Focus: Electronic focus
- ◆ Dimmer: 0~100%
- ◆ Strobe: 0~20Hz
- ◆ Rotating 3-facet Prism

### Operation

- ◆ Control mode: DMX512/Master-Slave/Auto/Custom/ Sound
- ◆ LCD display
- ◆ DMX512 Chs: 11CHS/ 14CHS

### Pan/Tilt

- ◆ Pan 540 Tilt 270
- ◆ Pan/Tilt speed
- ◆ User-selectable Pan/Tilt ranges
- ◆ Reverse Pan/Tilt movement

### Rotating Gobo

- ◆ 7 Gobo (interchangeable)
- ◆ Gobo-flow effect
- ◆ Gobo shake
- ◆ Bi-directional rotation

### Static Gobo

- ◆ 9 Gobo
- ◆ Gobo-flow effect
- ◆ Gobo shake

### Color

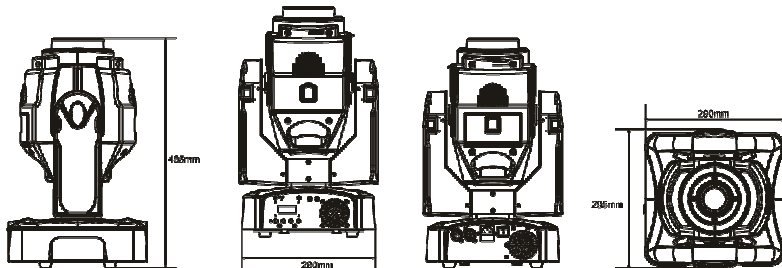
- ◆ 8 dichroic - filters + white
- ◆ Rainbow - flow effect


### Other features

- ◆ Custom program (255 steps)

- ◆ Size: 295x290x485mm

- ◆ Weight: 14kg

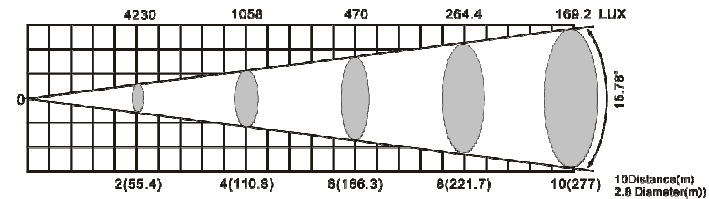


CHANNEL	VALUE	FUNCTION
6	0 ↔ 60	<b>GOBO ROTATION</b> Gobo indexing Clockwise rotating from slow to fast Anti-clockwise rotating from slow to fast
	61 ↔ 158	
	159 ↔ 255	
7	000 ↔ 004	<b>ROTATING PRISM</b> NO FUNCTION Rotation Anti-clockwise rotating from slow to fast NO FUNCTION Clockwise rotating from slow to fast
	005 ↔ 009	
	010 ↔ 127	
	128 ↔ 132	
	133 ↔ 255	
8	000 ↔ 255	<b>Focus</b>
9	0 ↔ 255	<b>DIMMER</b> Dark  Bright
10	0 ↔ 31	<b>STROBE</b> Close Open Strobe: Slow > Fast Open Rulse strobe effect: Slow > Fast Open Random strobe effect: Slow > Fast Open
	32 ↔ 63	
	64 ↔ 95	
	96 ↔ 127	
	128 ↔ 159	
	160 ↔ 191	
	192 ↔ 223	
	224 ↔ 255	
11	0 ↔ 19	<b>CONTROL</b> No function Pan/tilt black activated (activated after 3 secs) Pan/tilt black deactivated (activated after 3 secs) Auto1 (activated after 3 secs) Auto2 (activated after 3 secs) Sound 1 (activated after 3 secs) Sound 2 (activated after 3 secs) Custom Test (activated after 3 secs) No function Reset (activated after 3 secs) No function
	20 ↔ 39	
	40 ↔ 59	
	60 ↔ 79	
	80 ↔ 99	
	100 ↔ 119	
	120 ↔ 139	
	140 ↔ 159	
	160 ↔ 179	
	180 ↔ 199	
	200 ↔ 219	
	220 ↔ 255	

## BASIC

CHANNEL	VALUE	FUNCTION
1	0 ↔ 255	<b>PAN</b> 0~540°
2	0 ↔ 255	<b>TILT</b> 0~270°
3	0 ↔ 16 17 ↔ 33 34 ↔ 50 51 ↔ 67 68 ↔ 84 85 ↔ 101 102 ↔ 118 119 ↔ 135 136 ↔ 152 153 ↔ 255	<b>COLOR WHEEL</b> White Red Yellow Magenta Green Orange Blue Light blue Light Green Rainbow or linear effect
4	0 ↔ 8 10 ↔ 19 20 ↔ 29 30 ↔ 39 40 ↔ 49 50 ↔ 59 60 ↔ 69 70 ↔ 79 80 ↔ 89 90 ↔ 99 100 ↔ 114 115 ↔ 129 130 ↔ 144 145 ↔ 159 160 ↔ 174 175 ↔ 189 190 ↔ 204 205 ↔ 219 220 ↔ 234 235 ↔ 255	<b>FIXED GOBO WHEEL</b> NO GOBO GOBO 1 GOBO 2 GOBO 3 GOBO 4 GOBO 5 GOBO 6 GOBO 7 GOBO 8 GOBO 9 Shaking gobo 9 Shaking gobo 8 Shaking gobo 7 Shaking gobo 6 Shaking gobo 5 Shaking gobo 4 Shaking gobo 3 Shaking gobo 2 Shaking gobo 1 Flow effect
5	0 ↔ 8 10 ↔ 19 20 ↔ 29 30 ↔ 39 40 ↔ 49 50 ↔ 59 60 ↔ 69 70 ↔ 78 80 ↔ 89 100 ↔ 110 120 ↔ 139 140 ↔ 159 160 ↔ 179 180 ↔ 199 200 ↔ 218 220 ↔ 255	<b>GOBO WHEEL 1 &amp; GOBO SHAKE</b> NO Gobo Gobo 1 Gobo 2 Gobo 3 Gobo 4 Gobo 5 Gobo 6 Gobo 7 Shaking gobo 7 Shaking gobo 6 Shaking gobo 5 Shaking gobo 4 Shaking gobo 3 Shaking gobo 2 Shaking gobo 1 Flow effect

## 1.4 PHOTOMETRIC DATA



## 1.5 SAFETY WARNING

### 1.6

#### **IMPORTANT:**

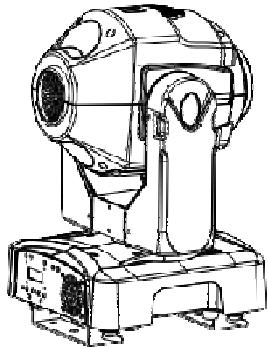
- This product must be installed by a qualified professional.
  - Always operate the equipment as described in the user manual.
  - A minimum distance of 0.5m must be maintained between the equipment and combustible surface.
  - The product must always be placed in a well ventilated area.
  - Always make sure that the equipment is installed securely.
  - DO NOT stand close to the equipment and stare directly into the LED light source.
  - Always disconnect the power supply before attempting and maintenance.
  - Always make sure that the supporting structure is solid and can support the combined weight of the products.
  - The earth wire must always be connected to the ground.
  - Do not touch the power cables if your hands are wet.
- 
- This product left the place of manufacture in perfect condition. In order to maintain this condition and for safe operation, the user must always follow the instructions and safety warnings described in this user manual.
  - Avoid shaking or strong impacts to any part of the equipment.
  - Make sure that all parts of the equipment are kept clean and free of dust.
  - Always make sure that the power connections are connected correct and secure.
  - If there is any malfunction of the equipment, contact your distributor immediately.
  - When transferring the product, it is advisable to use the original packaging in which the product left the factory.
  - Shields, lenses or ultraviolet screens shall be changed if they have become damaged to such an extent that their effectiveness is impaired.
  - The lamp (LED) shall be changed if it has become damaged or thermally deformed.

## 2 INSTALLATION

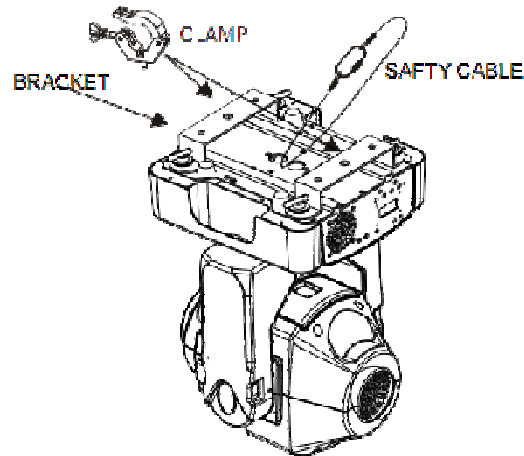
### 2.1 MOUNTING

●The LED fixture can be operated in any position at any angle. When mounted on a flat surface, the surface must be strong enough to support 10 times the weight of the fixture and stable so that there will be no damage caused to the fixture or surrounding people or objects because of movements of the fixture on the surface.

●When the unit is mounted in a hanging position, the fixture is attached using the mounting brackets and a standard truss clamp or other clamping device. The mounting brackets supplied are mounted using quick-release locks allowing simple mounting or removal.



UPRIGHT




HANGING

#### IMPORTANT SAFETY NOTE!!

Always use a safety cable when installing this unit!!

Be sure that the safety cable is connected to a solid load-bearing structure.

CHANNEL	VALUE	FUNCTION
8		<b>GOBO WHEEL 1 &amp; GOBO SHAKE</b>
	0 ↔ 8	NO Gobo
	10 ↔ 18	Gobo 1
	20 ↔ 28	Gobo 2
	30 ↔ 38	Gobo 3
	40 ↔ 48	Gobo 4
	50 ↔ 58	Gobo 5
	60 ↔ 68	Gobo 6
	70 ↔ 78	Gobo 7
	80 ↔ 88	Shaking gobo 7
	100 ↔ 118	Shaking gobo 6
	120 ↔ 138	Shaking gobo 5
	140 ↔ 158	Shaking gobo 4
	160 ↔ 178	Shaking gobo 3
	180 ↔ 198	Shaking gobo 2
	200 ↔ 218	Shaking gobo 1
220 ↔ 255	Flow effect	
9	0 ↔ 60	<b>GOBO ROTATION</b>
	61 ↔ 158	Gobo indexing
		Clockwise rotating from slow to fast
	159 ↔ 255	Anti-clockwise rotating from slow to fast
10	000 ↔ 004	<b>ROTATING PRISM</b>
	005 ↔ 009	NO FUNCTION
	010 ↔ 127	Rotation
	128 ↔ 182	Anti-clockwise rotating from slow to fast
		NO FUNCTION
	133 ↔ 255	Clockwise rotating from slow to fast
11	000 ↔ 255	Focus
12	0 ↔ 255	<b>DIMMER</b>
		Dark  Bright
13	0 ↔ 31	<b>STROBE</b>
	32 ↔ 63	Close
	64 ↔ 95	Open
	96 ↔ 127	Strobe: Slow > Fast
	128 ↔ 159	Open
	160 ↔ 191	Reverse strobe effect: Slow > Fast
	192 ↔ 223	Open
	224 ↔ 255	Random strobe effect: Slow > Fast
		Open
		Open
14	0 ↔ 19	<b>CONTROL</b>
	20 ↔ 39	No function
	40 ↔ 59	Pan/tilt lock activated (activated after 3 secs)
	60 ↔ 79	Pan/tilt lock deactivated (activated after 3 secs)
	80 ↔ 99	Auto1 (activated after 3 secs)
	100 ↔ 119	Auto2 (activated after 3 secs)
	120 ↔ 139	Sound 1 (activated after 3 secs)
	140 ↔ 159	Sound 2 (activated after 3 secs)
	160 ↔ 179	Custom
	180 ↔ 199	Test (activated after 3 secs)
	200 ↔ 219	No function
	220 ↔ 255	Reset (activated after 3 secs)
		No function

## 4 USING A DMX512 CONTROLLER

### 4.1 BASIC ADDRESSING

- Connect all of the units in series using standard DMX512 signal cable .
- Set the DMX512 address in the DMX menu.
- It is possible to have the same DMX address or independent addresses for each fixture.

### 4.2 CHANNEL ASSIGNMENT

- Note: This product have two DMX512 channel configuration: **【ADVANCED】** and **【 BASIC】** .

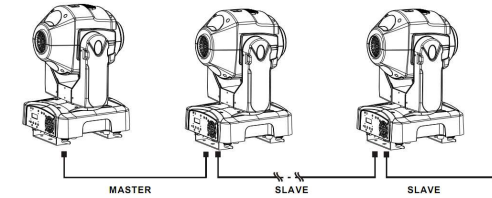
#### ADVANCED

CHANNEL	VALUE	FUNCTION
1	0 ↔ 255	PAN 0→340°
2	0 ↔ 255	PAN FINE Fine control of panmovement
3	0 ↔ 255	TILT 0→270°
4	0 ↔ 255	TILT FINE Fine control of tiltmovement
5	0 ↔ 255	PAN/TILT SPEED From fast to slow
6	0 ↔ 16	White
	17 ↔ 33	Red
	34 ↔ 50	Yellow
	51 ↔ 67	Magenta
	68 ↔ 84	Green
	85 ↔ 101	Orange
	102 ↔ 118	Blue
	119 ↔ 135	Light blue
	136 ↔ 152	Light Green
	153 ↔ 255	Rainbow or linear effect
7	0 ↔ 0	NO GOBO
	10 ↔ 16	GOBO 1
	20 ↔ 26	GOBO 2
	30 ↔ 36	GOBO 3
	40 ↔ 46	GOBO 4
	50 ↔ 56	GOBO 5
	60 ↔ 66	GOBO 6
	70 ↔ 76	GOBO 7
	80 ↔ 86	GOBO 8
	90 ↔ 96	GOBO 9
	100 ↔ 114	Shaking gobo 0
	116 ↔ 128	Shaking gobo 6
	130 ↔ 144	Shaking gobo 7
	146 ↔ 160	Shaking gobo 8
	160 ↔ 174	Shaking gobo 5
	175 ↔ 188	Shaking gobo 4
	190 ↔ 204	Shaking gobo 3
	208 ↔ 218	Shaking gobo 2
	220 ↔ 234	Shaking gobo 1
	235 ↔ 255	Flashing

## 2.2 SETTING UP (MASTER/SLAVE)

When units are connected in series using DMX512 signal cable connect the units as shown in the diagram below

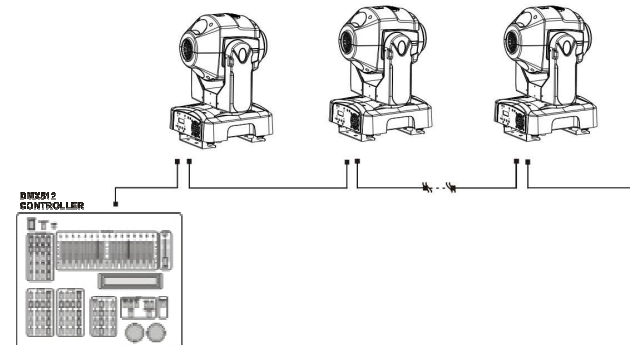
- Connect the (male) 3 pin connector side of the DMX cable to the output (female) 3 pin connector of the first (MASTER) fixture.
- Connect the end of the cable coming from the MASTER fixture which will have a (female) 3 pin connector to the input connector of the next fixture consisting of a (male) 3 pin connector.
- Then proceed to connect from the output as stated above to the input of the following fixture and so on.
- Set the first unit in the series to one of the STAND ALONE modes as described in section 2.2
- All other units in the series should be set to <SLAVE> from the <operation> menu.



## 2.3 SETTING UP (DMX512 CONTROLLER)

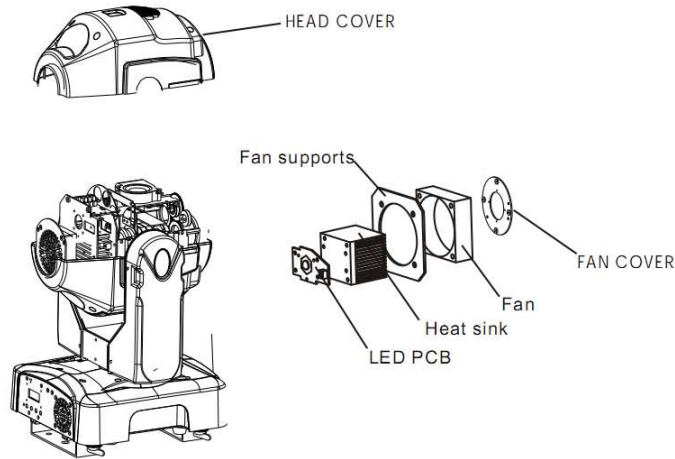
When units are connected in series to a DMX512 controller and other DMX512 equipment, connect the equipment as shown in the diagram below.

- Connect the (male) 3 pin connector side of the DMX cable to the output (female) 3 pin connector of the controller.
- Connect the end of the cable coming from the controller which will have a (female) 3 pin connector to the input connector of the next fixture consisting of a (male) 3 pin connector.
- Then proceed to connect from the output as stated above to the input of the following fixture and so on.
- If over 32pcs fixtures connected ,the amplifier is needed.



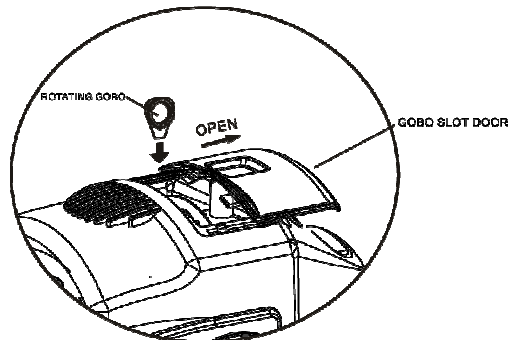
## 2.4 LED PCB REPLACEMENT

- Take off the head cover .
- Remove the fan cover, fan, fan supports, heat sink step by step.
- Replace the new LED PCB.
- Install all parts on the original position.

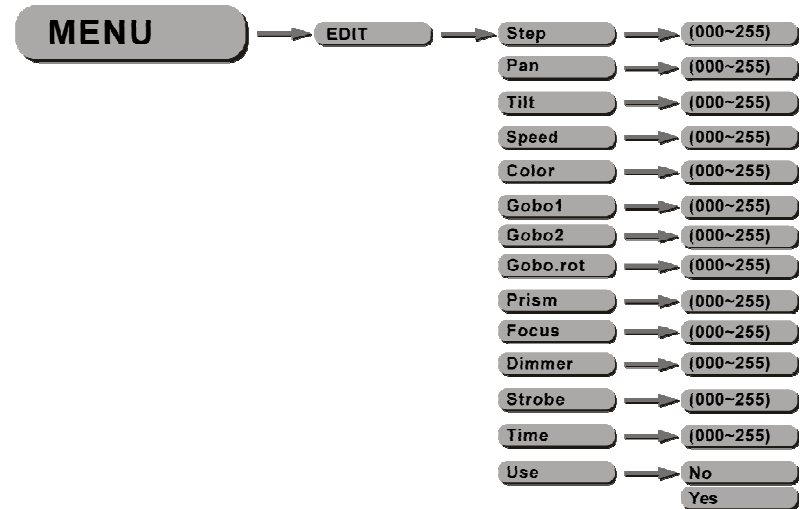


## 2.5 GOBO REPLACEMENT

- Unlock the gobo cover
- Take out the target gobo.
- Install the new gobo, lock the gobo slot door .



## 3.7 EDIT



### 【Edit】

- Enter the 【Edit】 mode to edit the custom programs by adjusting the value of 【Step】 , 【Pan】 , 【Tilt】 , 【Speed】 , 【Color】 , 【Gobo 1】 , 【Gobo 2】 , 【Gobo.rot】 , 【Prism】 , 【Focus】 , 【Dimmer】 , 【Strobe】 , 【Time】
- Enter 【use】 and select 【yes】 to run the steps user need.  
**Note:** if user want to circulate the created steps, please set the last step's 【Time】 as 0

For example, there are 3 steps,the setting should be like belowed:

- Step 1 【Time】 = 4 【use】 = Yes
- Step 2 【Time】 = 5 【use】 = Yes
- Step 3 【Time】 = 0 【use】 = Yes

## 3.8 DEFAULT

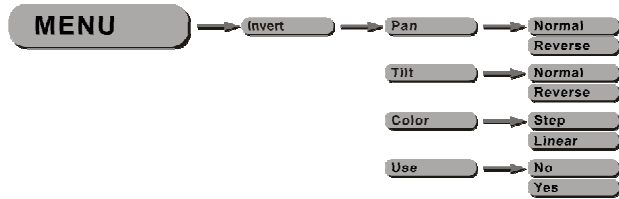


### 【Default】

- This functions will reset all setting to the original factory setting



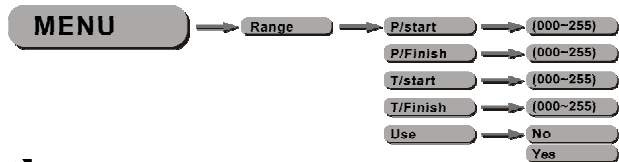
### 3.4 Invert



#### 【Invert】

- Select **【Pan】** / **【Tilt】** to set **【Normal】** or **【Reverse】**
- Select **【Color】** to select the color wheel flow way **【Step】** or **【linear】**
- Enter **【Use】** and set **【Yes】** to run the new setting

### 3.5 Range



#### 【P/start】

- Set pan start value **【000~255】**

#### 【P/Finish】

- Set pan finish value **【000~255】**

#### 【T/start】

- Set Tilt start value **【000~255】**

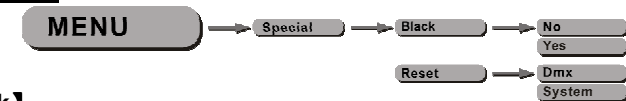
#### 【T/Finish】

- Set Tilt finish value **【000~255】**

#### 【Use】

- Enter **【Use】** and select **【Yes】** to open the operation of X/Y angle

### 3.6 Special



#### 【Black】

- Enter **【Black】** to choose **【No】** without delay or **【Yes】** 3seconds delay

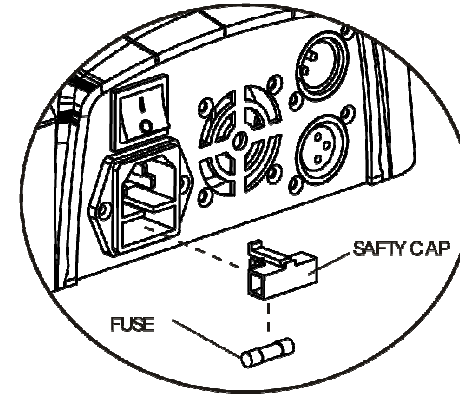
#### 【Reset】

- Enter **【Reset】** to choose **【DMX】** DMX control reset or **【System】** DMX

cannot control reset

## 2.6 FUSE REPLACEMENT

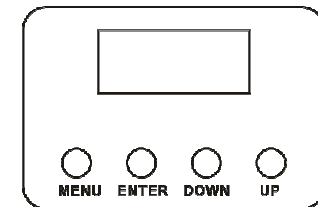
- Remove the safety cap by a screwdriver.
- Fetch the old fuse from safety cap.
- Install a new fuse.
- Install the safety cap.



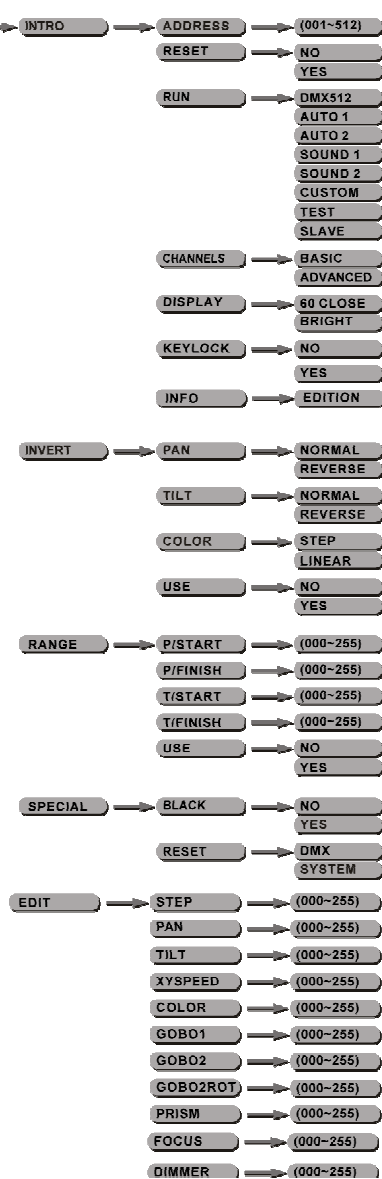
## 3 DISPLAY PANEL OPERATION

### 3.1 BASIC

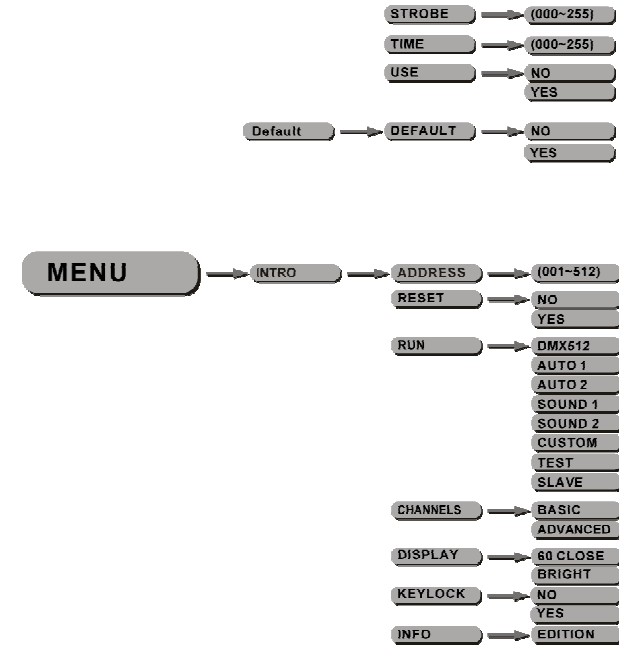
- 【MENU】** Scroll through the main menu or exit from the current sub-menu
- 【ENTER】** Enter the currently selected menu or confirm the current function value
- 【DOWN】** Scroll 'DOWN' through the menu list or decrease the value of the current function
- 【UP】** Scroll 'UP' through the menu list or increase the value of the Current function



## 3.2 MENU



## 3.3 INTRO



### 【Address】

- Enter **【Address】** to set the DMX Address, which is from (001-512)

### 【Reset】

- In order to rest custom modest to default, select **【Reset】**

### 【Run】

- Enter **【Run】** to select the operation mode: **【DMAX512】** ; **【Auto1】** ; **【Auto2】** ; **【Sound 1】** ; **【Sound 2】** ; **【Custom】** ; **【Test】** ; **【Slave】**

### 【Channels】

- Enter **【Channels】** to select the DMX channel modes: **【Basic】** ; **【Advanced】**

### 【Display】

- Enter **【Display】** to select the lighting time of the LCD display panel.

### 【Keylock】

- Enter the **【Keylock】** mode to select whether the access password is on or off.
- When the fixture is set as PASS **【ON】** , after 30 seconds or turn on the fixture next time, the fixture will need an access password to enter the display menu control.

**Note:** The factory access password is **【UP】** + **【DOWN】** + **【UP】** + **【DOWN】** , then press **【ENTER】** to confirm the access.

### 【Info】

- Enter **【Info】** to see the version of the software.