



HEARTH PRODUCTS



⚠ WARNINGS



- Hot! Do not touch! The glass and surfaces of this appliance will be hot during operation and will retain heat for a while after shutting off the appliance. Severe burns may result.
- Carefully supervise children in the same room as appliance.
- If small children are present in the home, it is recommended that this appliance be fitted with a screen door or screen panel kit. See *Page 9* for ordering information.

WARNING: IF THE INFORMATION IN THIS MANUAL IS NOT FOLLOWED EXACTLY, A FIRE OR EXPLOSION MAY RESULT CAUSING PROPERTY DAMAGE, PERSONAL INJURY OR LOSS OF LIFE.

FOR YOUR SAFETY: Do not store or use gasoline or other flammable vapors or liquids in the vicinity of this or any other appliance.

FOR YOUR SAFETY: What to do if you smell gas:

- DO NOT light any appliance.
- DO NOT touch any electrical switches.
- DO NOT use any phone in your building.
- Immediately call your gas supplier from a neighbor's phone.

Follow your gas suppliers instructions.

- If your gas supplier cannot be reached, call the fire department.

Installation and service must be performed by a qualified installer, service agency or the gas supplier.

Tested & Listed By



Beaverton Oregon USA

OTL Report No. 116-F-39-5

OMNI-Test Laboratories, Inc.

A French manual is available upon request. Order Form Number 875,030CF.

Ce manuel d'installation est disponible en français, simplement en faire la demande. Numéro de la pièce 875,030CF.

CARE AND OPERATION INSTRUCTIONS

DIRECT VENT ELITE® SERIES

VENTED GAS FIREPLACE HEATERS - DIRECT VENT MODELS
P/N 875,030M REV. B 05/2008

MODELS

Millivolt Models

ELDV-35NM
ELDV-35PM
ELDV-40NM
ELDV-40PM
ELDV-45NM
ELDV-45PM

Electronic Models

ELDV-35NE
ELDV-40NE
ELDV-45NE

INSTALLER: Leave this manual with the appliance.

CONSUMER: Retain this manual for future reference.

AVERTISSEMENT: ASSUREZ-VOUS DE BIEN SUIVRE LES INSTRUCTIONS DONNÉ DANS CETTE NOTICE POUR RÉDUIRE AU MINIMUM LE RISQUE D'INCENDIE OU POUR ÉVITER TOUT DOMMAGE MATÉRIEL, TOUTE BLESSURE OU LA MORT.

POUR VOTRE SÉCURITÉ: Ne pas entreposer ni utiliser d'essence ni d'autre vapeurs ou liquides inflammables dans le voisinage de cet appareil ou de tout autre appareil.

POUR VOTRE SÉCURITÉ: Que faire si vous sentez une odeur de gaz:

- Ne pas tenter d'allumer d'appareil.
- Ne touchez à aucun interrupteur. Ne pas vous servir des téléphones se trouvant dans le bâtiment où vous vous trouvez.
- Evacuez la pièce, le bâtiment ou la zone.
- Appelez immédiatement votre fournisseur de gaz depuis un voisin. Suivez les instructions du fournisseur.
- Si vous ne pouvez rejoindre le fournisseur de gaz, appelez le service des incendies.

L'installation et service doit être exécuté par un qualifié installateur, agence de service ou le fournisseur de gaz.

CONGRATULATIONS!

In selecting this LENNOX Direct-Vent Gas Appliance you have chosen the finest and most dependable fireplace to be found anywhere. It is a beautiful, prestigious, alternative to a wood burning fireplace. Welcome to a Family of tens of thousands of satisfied LENNOX Fireplace Owners.

Please read and carefully follow all of the instructions found in this manual. Please pay special attention to the safety instructions provided in this manual. The Care and Operation Instructions included here will assure that you have many years of dependable and enjoyable service from your LENNOX product.

TABLE OF CONTENTS

| | | |
|---|------|----|
| Introduction | page | 2 |
| General Information | page | 2 |
| Operation/Care of Your Appliance | page | 3 |
| Variable Flame Adjustment..... | page | 4 |
| Glass Cleaning | page | 4 |
| Maintenance..... | page | 4 |
| Maintenance Schedule | page | 5 |
| Front Glass Enclosure Panel, Removal and Installation..... | page | 6 |
| Burner Adjustments | page | 6 |
| Flame Appearance and Sooting..... | page | 6 |
| Adjustment..... | page | 6 |
| Log Placement | page | 7 |
| Embers & Volcanic Stone Placement | page | 8 |
| Millivolt Appliance Checkout | page | 8 |
| Electronic Appliance Checkout..... | page | 8 |
| Accessory Components | page | 8 |
| Wiring Diagrams | page | 11 |
| Warranty | page | 11 |
| Replacement Parts..... | page | 11 |
| Product Reference Information..... | page | 11 |
| Lighting Instructions – Millivolt | page | 12 |
| Lighting Instructions – Electronic | page | 14 |
| Troubleshooting Guide – Millivolt..... | page | 16 |
| Troubleshooting Guide – Electronic | page | 17 |
| Replacement Parts List | page | 18 |

This manual is part of a set of three supporting this product. Refer to manual 850,036M for Installation Instructions and 750,201M for Log Placement Guide.

INTRODUCTION

The Fireplace models covered in this manual are Direct-Vent sealed combustion gas fireplace heaters designed for residential application. Direct-Vent appliances operate with the combustion chamber completely isolated from the inside atmosphere. All air for combustion is brought in from the outside and exhaust gases are vented through the same direct vent, vent system.

The millivolt appliances are designed to operate on either natural or propane gas. A millivolt gas control valve with piezo ignition system provides safe, efficient operation. External electrical power is required to operate the optional electrically powered components if installed. Electrical power must be wired during appliance installation.

Electronic appliances are designed to operate on natural or propane gas. An electronic intermittent pilot ignition system provides safe, efficient operation. External electrical power is recommended to operate these units. If the system operates on line voltage with 3V adapters, two (2) "D" batteries can be used as a backup in case of a power outage. The electronic appliance can be operated solely with two (2) "D" batteries.

These appliances comply with National Safety Standards and are tested and listed by Omni-Test Laboratories (Report No. 116-F-39-5) to ANSI Z21.88 (in Canada, CSA-2.33), and CAN/CGA-2.17-M91 in both USA and Canada, as vented gas fireplace heaters.

The Installation must conform to local codes or, in the absence of local codes, with the *National Fuel Gas Code, ANSI Z223.1/NFPA 54*, or the *Natural Gas and Propane Installation Code, CSA B149.1*. The appliance, when installed, must be electrically grounded in accordance with local codes or, in the absence of local codes, with the *National Electrical Code, ANSI/NFPA 70*, or the *Canadian Electrical Code, CSA C22.1*.

DO NOT ATTEMPT TO ALTER OR MODIFY THE CONSTRUCTION OF THE APPLIANCE OR ITS COMPONENTS. ANY MODIFICATION OR ALTERATION MAY VOID THE WARRANTY, CERTIFICATION AND LISTINGS OF THIS UNIT.

WARNING: IMPROPER INSTALLATION, ADJUSTMENT, ALTERATION, SERVICE OR MAINTENANCE CAN CAUSE INJURY OR PROPERTY DAMAGE. REFER TO THIS MANUAL. FOR ASSISTANCE OR ADDITIONAL INFORMATION CONSULT A QUALIFIED INSTALLER, SERVICE AGENCY OR THE GAS SUPPLIER.

GENERAL INFORMATION

Note: Installation and repair should be performed by a qualified service person. The appliance should be inspected annually by a qualified professional service technician. More frequent inspections and cleanings may be required due to excessive lint from carpeting, bedding material, etc. It is imperative that the control compartment, burners and circulating air passage ways of the appliance be kept clean.

S'assurer que le brûleur et le compartiment des commandes sont propres. Voir les instructions d'installation et d'utilisation qui accompagnent l'appareil.

Provide adequate clearances around air openings and adequate accessibility clearance for service and proper operation. Never obstruct the front openings of the appliance.

Due to high temperatures the appliance should be located out of traffic and away from furniture and draperies. Locate furniture and window coverings accordingly.

WARNING: THESE FIREPLACES ARE VENTED HEATERS. DO NOT BURN WOOD OR OTHER MATERIAL IN THESE APPLIANCES.

These appliances are designed to operate on natural or propane gas only.

Millivolt Models -

Input of millivolt models is shown in the following table:

| Millivolt Models with Manually-Modulated Gas Valve | | | |
|--|--------------------|-------------|--------------------|
| Natural Gas | | Propane Gas | |
| Model No. | Input rate (BTU/H) | Model No. | Input rate (BTU/H) |
| ELDV35 | 27,000 to 21,000 | ELDV35 | 26,000 to 20,000 |
| ELDV40 | 29,000 to 23,000 | ELDV40 | 27,000 to 22,000 |
| ELDV45 | 30,000 to 23,000 | ELDV45 | 28,000 to 21,000 |

Electronic Models -

Electronic models have a modulating gas valve. Input of electronic models is shown in the following table:

| Electronic Models with Natural Gas Valve | |
|--|--------------------|
| Model No. | Input rate (BTU/H) |
| ELDV35 | 27,000 to 21,000 |
| ELDV40 | 29,000 to 23,000 |
| ELDV45 | 30,000 to 23,000 |

Table 1 shows the units' gas orifice size for the elevations indicated.

| Model No. | Orifice size | | Elevation Feet (meters) |
|-----------|--------------|--------|-------------------------|
| | Nat. | Prop. | |
| ELDV35 | #38 | #53 | 0-4500 (0-1372) |
| ELDV40 | #37 | 0.062" | |
| ELDV45 | #36 | #52 | |

Table 1

Maximum manifold pressure is 3.5 in. w.c. (0.87 kPa) for natural gas and 10 in. w.c. (2.49 kPa) for LP/Propane gas.

Do not use these appliances if any part has been under water. Immediately call a qualified, professional service technician to inspect the appliance and to replace any parts of the control system and any gas control which have been under water.

Ne pas se servir de cet appareil s'il a été plongé dans l'eau, complètement ou en partie. Appeler un technicien qualifié pour inspecter l'appareil et remplacer toute partie du système de contrôle et toute commande qui ont été plongés dans l'eau.

Test gage connections are provided on the front of the millivolt and electronic gas control valve (identified OUT for the manifold side and IN for inlet pressure). A 1/8" NPT test gage connection is provided on the electronic gas control valve adjacent to the outlet to the main burner.

Minimum inlet gas pressure to these appliances is 5.0 inches water column (1.24 kPa) for natural gas and 11 inches water column (2.74 kPa) for propane for the purpose of input adjustment.

Maximum inlet gas supply pressure to these appliances is 10.5 inches water column (2.61 kPa) for natural gas and 13.0 inches water column (3.23 kPa) for propane.

The appliance must be isolated from the gas supply piping system (by closing its individual manual shut-off valve) during any pressure testing of the gas supply piping system at test pressures equal to or less than 1/2 psig (3.5 kPa).

The appliance and its individual shut-off valve must be disconnected from the gas supply piping system during any pressure testing of that system at pressures in excess of 1/2 psig (3.5 kPa).

These appliances must not be connected to a chimney or flue serving a separate solid fuel burning appliance.

Any safety guard or screen removed for servicing the appliance must be replaced prior to operating the appliance.

WARNING: FAILURE TO COMPLY WITH THE INSTALLATION AND OPERATING INSTRUCTIONS PROVIDED IN THIS DOCUMENT WILL RESULT IN AN IMPROPERLY INSTALLED AND OPERATING APPLIANCE, VOIDING ITS WARRANTY. ANY CHANGE TO THIS APPLIANCE AND/OR ITS OPERATING CONTROLS IS DANGEROUS. IMPROPER INSTALLATION OR USE OF THIS APPLIANCE CAN CAUSE SERIOUS INJURY OR DEATH FROM FIRE, BURNS, EXPLOSION OR CARBON MONOXIDE POISONING.

Carbon Monoxide Poisoning: Early signs of carbon monoxide poisoning are similar to the flu with headaches, dizziness and/or nausea. If you have these signs, obtain fresh air immediately. Turn off the gas supply to the appliance and have it serviced by a qualified professional, as it may not be operating correctly.

WARNING: CHILDREN AND ADULTS SHOULD BE ALERTED TO THE HAZARDS OF HIGH SURFACE TEMPERATURES. USE CAUTION AROUND THE APPLIANCE TO AVOID BURNS OR CLOTHING IGNITION. YOUNG CHILDREN SHOULD BE CAREFULLY SUPERVISED WHEN THEY ARE IN THE SAME ROOM AS THE APPLIANCE.

WARNING: DO NOT PLACE CLOTHING OR OTHER FLAMMABLE MATERIALS ON OR NEAR THIS APPLIANCE.

AVERTISSEMENT: SURVEILLER LES ENFANTS. GARDER LES VÊTEMENTS, LES MEUBLES, L'ESSENCE OU AUTRES LIQUIDES À VAPEUR INFLAMMABLES LOIN DE L'APPAREIL.

OPERATION AND CARE OF YOUR APPLIANCE

Appliance operation may be controlled by the following means: the factory provided unit-mounted ON-OFF control switch, a remotely located optional wall switch or optional remote control. See *Figure 1*.

Burn-in Period

During the first few fires of this appliance there will be some odor due to the curing of the paint and burning off of lubricants used in the manufacturing process.

Depending on your use, the burn-in period may take a few hours or a few days.

KEEP YOUR HOUSE WELL VENTILATED DURING THE CURING PROCESS. THE ODOR AND HAZE EMITTED DURING THE CURING PROCESS CAN BE QUITE NOTICEABLE AND MAY SET OFF A SMOKE DETECTOR.

If an optional blower is installed, Do not turn it on during the Burn-In period.

A white film may develop on the glass front during the first few fires as part of the curing process. The glass should be kept clean during the first two weeks of use to prevent the film from baking on (making it very difficult to remove). See *Glass Cleaning* on *Page 4*.

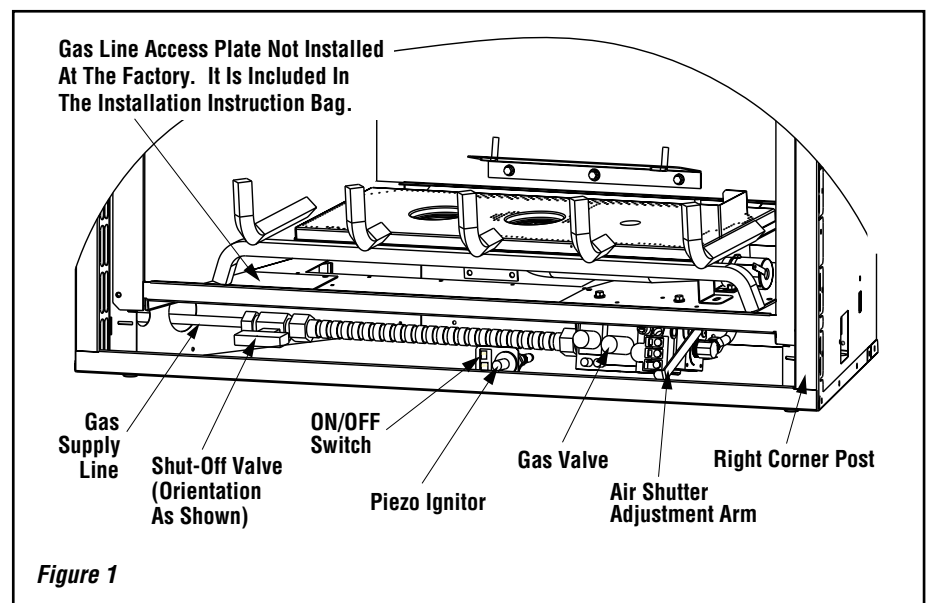


Figure 1

NOTE: DIAGRAMS & ILLUSTRATIONS NOT TO SCALE.

Gas Controls/Control Compartment Access

The gas controls can be found behind the bottom panel. Remove the bottom panel by pulling it towards the front.

On millivolt systems, the piezo ignitor, Hi/Lo flame adjustment knob, and pilot and main gas ON/OFF control knob are located behind the panel. See **Figure 1**.

Operation of millivolt and electronic gas control systems are different. Before lighting and operating your appliance determine if you have a millivolt or electronic appliance.

Refer to **Figure 1** for access to the gas control valve. Millivolt appliances will be fitted with the gas control valve shown in **Figure 2**.

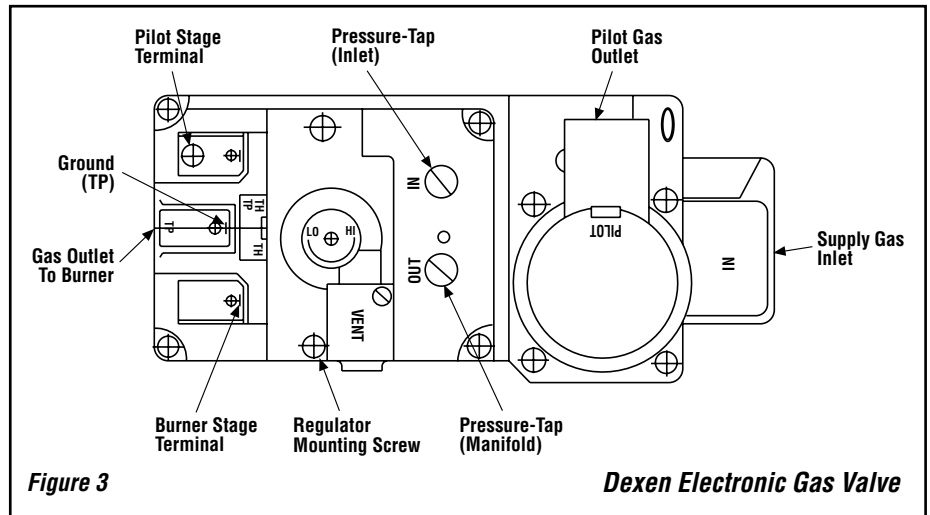
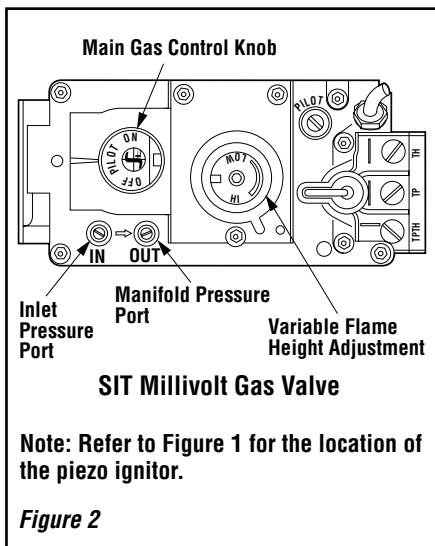
Appliances with electronic systems will be fitted with the electronic valve shown in **Figure 3**. Familiarize yourself with the gas control valve that your appliance uses.

Millivolt Appliances -

To light millivolt appliances refer to the detailed lighting instructions found on **page 12 (English) and page 13 (French)**. **Millivolt appliance lighting instructions may also be found on the pull out lighting instruction labels attached to the gas control valve.**

Millivolt appliances are fitted with an ON/OFF Rocker Switch for appliance ON/OFF control. See **Figure 1** for its location. Once the pilot is lighted, the ON/OFF rocker switch will control the appliance ON/OFF operation. To operate: Toggle the switch between its ON and OFF positions.

If your millivolt appliance is equipped with an optional remote wall switch or remote control kit and the pilot is lit, the appliance main burner may be turned on and off with the wall switch or remote control.



Electronic Appliances -

To light electronic appliances refer to the detailed lighting instructions found in both English and French on **pages 14 and 15** of these instructions respectively. **Electronic appliance lighting instructions may also be found on the pull out lighting instruction labels attached to the gas control valve.** See **Figure 1** for its location.

If your electronic appliance is equipped with an optional remote wall switch or remote control kit the appliance main burner may be turned on and off with the wall switch or remote control.

Variable Flame Height Adjustment (Millivolt And Electronic Appliances)

1. All Millivolt and Electronic appliances are equipped with a variable gas control valve. Flame height for these models may be adjusted through a range between fixed low and high settings, alternately, while the appliance is in operation.

Adjust the flame height as desired after lighting the appliance by rotating the variable adjustment control knob located on the front of the valve (**refer to Figure 2**).

2. When lit for the first time, this appliance will emit a slight odor for an hour or two. This is due to the "burn-in" of internal paints and lubricants used in the manufacturing process.

3. Keep lower control compartment clean by vacuuming or brushing at least twice a year. More frequent cleaning may be required due to excessive lint from carpeting, bedding materials, etc. It is important that control compartments, burners and circulating air passageways of the appliance be kept clean.

4. Always turn off gas to the pilot (millivolt appliances) before cleaning. Before re-lighting, refer to the lighting instructions in this manual. Instructions are also found on a pull-out panel located on the floor of the appliance.

5. Always keep the appliance area clear and free from combustible materials, gasoline and other flammable liquids.

6. Remember, Millivolt appliances have a continuous burning pilot flame. Exercise caution when using products with combustible vapors.

Glass Cleaning

It will be necessary to clean the glass periodically. During start-up it is normal for condensation to form on the inside of the glass. This can cause lint, dust and other airborne particles to cling to the glass surface. Also initial paint curing may deposit a slight film on the glass. It is therefore recommended that the glass be cleaned two or three times with a non-ammonia household cleaner and warm water (a gas fireplace glass cleaner is recommended). After that the glass should be cleaned two or three times during each heating season, depending on the circumstances present.

Note: Clean glass after first two weeks of operation.

WARNING: DO NOT USE ABRASIVE CLEANERS. NEVER CLEAN THE GLASS WHEN IT IS HOT.

CAUTION: DO NOT ATTEMPT TO TOUCH THE FRONT ENCLOSURE GLASS WITH YOUR HANDS WHILE THE FIREPLACE IS IN USE.

Maintenance

The appliance and venting system should be thoroughly inspected before initial use and at least annually by a qualified service technician. However, more frequent periodic inspections and cleanings should be performed by the homeowner.

Homeowner must contact a qualified service technician at once if any abnormal condition is observed.

Maintenance Schedule

Annually (Before the onset of the Burning Season)

| Maintenance Task | Accomplishing Person | Procedure |
|---|---|---|
| Inspecting/Cleaning Burner, Logs and Controls | Qualified Service Technician | Inspect valve and ensure it is properly operating. Check piping for leaks. Vacuum the control compartment, fireplace logs and burner area. |
| Check Flame Patterns and Flame Height | Qualified Service Technician | Refer to Figures 6 (ELDV35), 7 (ELDV40) or 8 (ELDV45) on page 7 and verify the flame pattern and height displayed by the appliance conforms to the picture. Flames must not impinge on the logs. |
| Inspecting/Cleaning Pilot and Burner | Qualified Service Technician | Refer to Figure 9 (SIT) or Figure 10 (Dexen) on page 8 . Remove any surface build-up on pilot and burner assembly. Wipe the pilot nozzles, ignitor/flame rod and hood. Ensure the pilot flame engulfs the flame sensor as shown. |
| Checking Vent System | Qualified Service Technician | Inspect the vent system at the top and at the base (within the firebox) for signs of blockage or obstruction. Look for any signs of dislocation of the vent components. |
| Appliance Checkout | Qualified Service Technician | Perform the appropriate appliance checkout procedure detailed in this manual. |
| Replacing Rockwool Ember Materials | Homeowner/Qualified Services Technician | Remove old ember materials and vacuum the rockwool placement area. Place new rockwool as described in this document. |

Periodically (After the Burning Season)

| Maintenance Task | Accomplishing Person | Procedure |
|---------------------------------------|----------------------|---|
| Cleaning Firebox Interior | Homeowner | Carefully remove logs, rockwool and decorative volcanic stone and vermiculite. Vacuum out interior of the firebox. Clean firebox walls and log grate. Replace logs, Rockwool and volcanic stone as detailed in this manual. |
| Check Flame Patterns and Flame Height | Homeowner | Refer to Figures 6 (ELDV35), 7 (ELDV40) or 8 (ELDV45) on page 7 and verify the flame pattern and height displayed by the appliance conforms to the picture. Flames must not impinge on the logs. |
| Checking Vent System | Homeowner | Inspect the vent system at the top and at the base (within the firebox) for signs of blockage or obstruction. Look for any signs of dislocation of the vent components. |
| Cleaning Front Glass Enclosure Panel | Homeowner | Clean as necessary following the directions provided in this manual. DO NOT TOUCH OR ATTEMPT TO CLEAN GLASS WHILE HOT. |

Refer to the maintenance schedule for maintenance tasks, procedures, periodicity and by whom they should be performed. Always verify proper operation of the appliance after servicing.

IMPORTANT: TURN OFF GAS AND ANY ELECTRICAL POWER BEFORE SERVICING THE APPLIANCE.

Front Glass Enclosure Panel, Removal and Installation

WARNING: DO NOT OPERATE APPLIANCE WITH THE GLASS FRONT REMOVED, CRACKED OR BROKEN. REPLACEMENT OF THE GLASS SHOULD BE DONE BY A LICENSED OR QUALIFIED SERVICE TECHNICIAN.

These are direct-vent appliances. They are designed to operate only when the front glass enclosure panel is installed. Generally the front glass enclosure panel should not be removed except to gain access to the components within the firebox, and the appliance may only be operated without the front glass enclosure panel in place for very brief periods of time during appliance checkout and adjustment. Be sure that the flame appearance will be diminished while the front glass enclosure panel is removed.

WARNING: HANDLE THIS GLASS WITH EXTREME CARE! TEMPERED GLASS IS SUSCEPTIBLE TO DAMAGE— DO NOT SCRATCH OR HANDLE ROUGHLY WHILE REINSTALLING THE GLASS DOOR FRAME.

WARNING: NO NOT ATTEMPT TO SUBSTITUTE THE MATERIALS USED ON THIS DOOR, OR REPLACE CRACKED OR BROKEN GLASS WITH ANY MATERIALS OTHER THAN THOSE PROVIDED BY THE APPLIANCE MANUFACTURER.

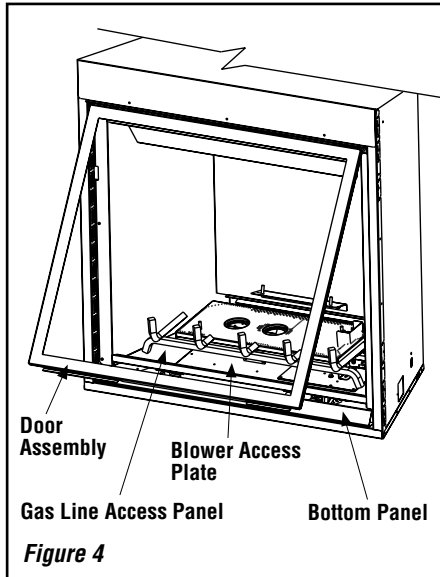
THE GLASS DOOR OF THIS APPLIANCE MUST ONLY BE REPLACED AS A COMPLETE UNIT AS PROVIDED BY THE MANUFACTURER. DO NOT ATTEMPT TO REPLACE BROKEN, CRACKED OR CHIPPED GLASS SEPARATELY.

Refer to *Figure 4* and remove the front glass enclosure panel as follows:

1. Remove the bottom compartment door by lifting and pulling it towards the front of the fireplace.

2. Locate the two (2) latches at the top of the control compartment and disengage them from the floor frame bottom Vee-flange, pulling down on their handles to open them.

3. Swing the bottom of the door out and raise it slightly to lift the top flange of the door frame away from the appliance.



To install the front glass enclosure panel, proceed as follows:

1. Retrieve the glass door frame. Visually inspect the gasket on the backside of the panel. The gasket surface must be clean, free of irregularities and seated firmly.

2. Position the door frame in front of the firebox opening and engage the top flange over the lip at the top of the firebox opening.

3. Swing the door down and back. Ensure the gasket seats evenly as the door draws shut. Engage the Vee-flange at the bottom of the door with the latches and close the latches to secure the door.

4. Reinstall the bottom compartment door by hooking it over the slots on the two corner posts.

Burner Adjustments

The following paragraphs address burner adjustment concerns and procedures.

Flame Appearance and Sooting

Proper flame appearance is a matter of taste. Generally most people prefer the warm glow of a yellow to orange flame. Appliances operated with air shutter openings that are too large will exhibit flames that are blue and transparent. These weak, blue and transparent flames are termed anemic. If the air shutter opening is too small sooting may develop.

Sooting is indicated by black puffs developing at the tips of very long orange flames. Sooting results in black deposits forming on the logs, appliance inside surfaces and on exterior surfaces adjacent to the vent termination.

Sooting is caused by incomplete combustion in the flames and a lack of combustion air entering the air shutter opening. To achieve a warm yellow to orange flame with an orange body that does not soot, the shutter opening must be adjusted between these two extremes. No smoke or soot should be present.

If the logs are properly positioned and sooting conditions exist, the air shutter opening on the main burner tube should be adjusted. Normally, the more offsets in the vent system, the greater the need for the air shutter to be opened further.

WARNING: AIR SHUTTER ADJUSTMENT SHOULD ONLY BE PERFORMED BY A QUALIFIED PROFESSIONAL SERVICE TECHNICIAN.

ENSURE THAT THE FRONT GLASS PANEL IS IN PLACE AND SEALED DURING ADJUSTMENT.

Burner Adjustment

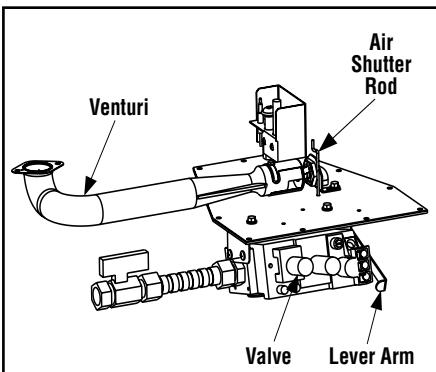
CAUTION: THE ADJUSTMENT ARM AND NEARBY APPLIANCE SURFACES ARE HOT. EXERCISE CAUTION TO AVOID INJURY WHILE ADJUSTING FLAME APPEARANCE.

To adjust the flame, move the adjustment arm (located in the lower control area) up or down to increase or reduce the air shutter opening, respectively. **Position the air shutter to the factory setting as shown in Figure 5 on page 7.** Allow the burner to operate for at least 15 minutes. Observe the flame continuously. If it appears weak or sooty as previously described, adjust the air shutter by pushing or pulling on the adjustment rod until the flame appearance is as desired.

The adjustment rod, arm and associated adjustable air shutter is patented technology. Flame adjustments can be made quickly and accurately to taste without the need of disassembling the appliance and waiting for 30 minutes after each adjustment.

Propane models may exhibit a flame pattern that may candle or appear stringy. If this is problematic or persists as the appliance is continually operated, adjust the air shutter closed as described in the previous paragraphs. Operate the appliance for a period of time as the effect diminishes, ensuring that the appliance does not develop sooty flames.

When satisfied that the appliance operates properly, proceed to finish the installation. Leave the control knob in "ON" position and turn the remote switch "OFF." Close the lower control compartment door.



| MAIN BURNER FACTORY SHUTTER OPENING SETTING | | |
|--|----------------------------|----------------------------|
| Models | Natural Gas inches (mm) | Propane Gas inches (mm) |
| ELDV35 | 1/8 (3.2) | 3/8 (9.5) |
| ELDV40 | 1/4 (6.4) | 7/16 (11.1) |
| ELDV45 | 1/4 (6.4) | 7/16 (11.1) |

Figure 5

Log Placement

WARNING: LOGS GET VERY HOT AND WILL REMAIN HOT UP TO ONE HOUR AFTER GAS SUPPLY IS TURNED OFF. HANDLE ONLY WHEN LOGS ARE COOL. TURN OFF ALL ELECTRICITY TO THE APPLIANCE BEFORE YOU INSTALL GRATE AND LOGS.

WARNING: THIS APPLIANCE IS NOT MEANT TO BURN WOOD. ANY ATTEMPT TO DO SO COULD CAUSE IRREPARABLE DAMAGE TO YOUR APPLIANCE AND PROVE HAZARDOUS TO YOUR SAFETY.

WARNING: THE SIZE AND POSITION OF THE LOG SET WAS ENGINEERED TO GIVE YOUR APPLIANCE A SAFE, RELIABLE AND ATTRACTIVE FLAME PATTERN. ANY ATTEMPT TO USE A DIFFERENT LOG SET IN THE FIREPLACE WILL VOID THE WARRANTY AND WILL RESULT IN INCOMPLETE COMBUSTION, SOOTING, AND POOR FLAME QUALITY.

Note: *The log set and fire are artistically arranged to provide a random asymmetric look to the fire. The fire intentionally does not burn in the left rear quarter of the log set.*

Carefully position the ceramic fiber logs and twigs over the burner as shown in **Figures 6 (ELDV35), 7 (ELDV40) or 8 (ELDV45) on this page.**

These fires are designed to provide a rich orange/red glow on the logs. Placement of the rear log is critical and can be adjusted to taste. **Refer to the detailed log placement instructions provided in the LOG PLACEMENT GUIDE accompanying this document.**

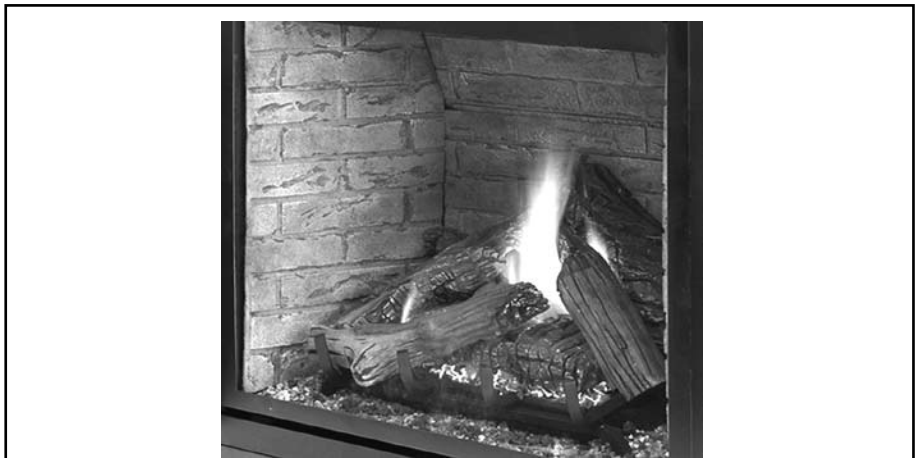


Figure 6

ELDV35 (With Optional Brick Liner Kit)



Figure 7

ELDV40 (With Optional Brick Liner Kit)



Figure 8

ELDV45

Glowing Embers (Rockwool) and Volcanic Stones Placement

Refer to the detailed glowing embers placement instructions provided in the **LOG PLACEMENT GUIDE** accompanying this document.

Ceramic Panel Placement

Refer to the detailed ceramic panel placement instructions provided in the **LOG PLACEMENT GUIDE** accompanying this document.

Millivolt Appliance Checkout

The pilot flame should be steady, not lifting or floating. Flame should be blue in color with traces of orange at the outer edge.

The top 3/8" (10 mm) at the pilot generator (thermopile) and the top 1/8" min (tip) of the quick drop out thermocouple should be engulfed in the pilot flame. The flame should project 1" (25 mm) beyond the hood at all three ports. See **Figure 9**. To light the burner, refer to the lighting instructions on **pages 12 and 13**.

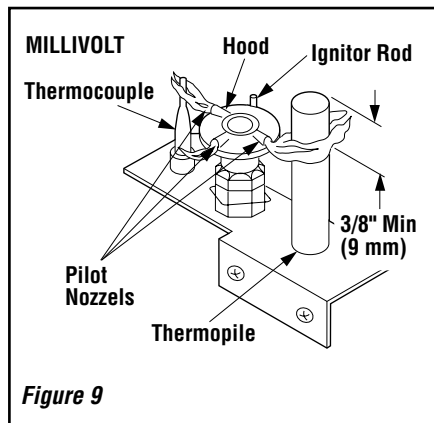


Figure 9

Electronic Appliance Checkout

To light the burner, refer to the lighting instructions on **page 14 and 15**. Ensure the ignitor lights the pilot. The pilot flame should engulf the flame sensor as shown in **Figure 10**.

With proper care and maintenance, your appliance will provide many years of enjoyment. If you should experience any problem, first refer to the trouble shooting guide in this manual. If problem persists, contact your Lennox distributor.

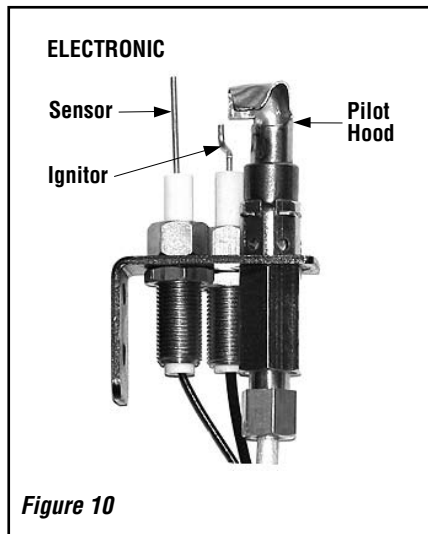


Figure 10

Installing Optional Decorative Style View Doors

Decorative Style View doors are optional with these fireplaces. When installing Style View doors on any of these models remove, retain and store away the bottom panel from the control compartment accessway. The bottom of the Style View doors provide coverage for this area. If the doors are installed, the unit mounted On/Off switch, if used, must be relocated to the bracket provided with the door. Refer to the detailed instructions provided with the doors.

ACCESSORY COMPONENTS



Remote Control System (Standard) H0249 RCL

Standard Remote Control System

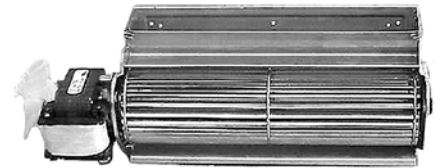
The Model RCL (Standard) Remote Control System, features a simple On/Off control function for the fireplace. This model includes a hand-held transmitter, a remote receiver with wall-mount coverplate and all hardware required to install the unit. The remote receiver can be wall or hearth mounted.



Remote Control System (Deluxe) H0251 RCL-T

Deluxe Remote Control System

The Model RCL-T (Deluxe) Remote Control System has all of the features of the standard system along with an added easy to read LCD screen which presents access to many enhancements, including; battery power level indicator, timer, mode of operation, thermostatic display including room temperature in either metric of English units, flame indicator and clock. Fully programmable, the Model RCL-T allows for command over nearly all operational and temperature variables, using the hand held remote control transmitter.



Forced Air Blower Kit Single Speed H4678 LBLK-100

Forced Air Kit

The LBLK-100 blower provides constant velocity forced air circulation.

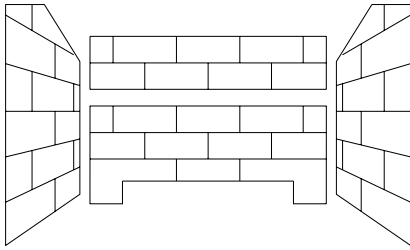


Touch-Up Paint (Black) Kit 70K99 FTPK-B

Touch-Up Paint Kit

Repair of minor scratches and discoloration of the appliance charcoal painted surfaces may be accomplished with the touch-up paint kit.

ACCESSORY COMPONENTS CONTINUED



| Brick Liner Kits | | |
|------------------|-----------------------|-----------------|
| Model No. | Catalog No. Model No. | Description |
| ELD35 | H3961 BLKR-ELD35 | Rustic |
| ELD35 | H3962 BLKH-ELD35 | Herringbone |
| ELD35 | H3963 BLKC-ELD35 | Red Old Cottage |
| ELD35 | H4708 BLKBR-ELD35 | Boston Red |
| ELD40 | H3964 BLKR-ELD40 | Rustic |
| ELD40 | H3965 BLKH-ELD40 | Herringbone |
| ELD40 | H3966 BLKC-ELD40 | Red Old Cottage |
| ELD40 | H4709 BLKBR-ELD40 | Boston Red |
| ELD45 | H3967 BLKR-ELD45 | Rustic |
| ELD45 | H3968 BLKH-ELD45 | Herringbone |
| ELD45 | H3969 BLKC-ELD45 | Red Old Cottage |
| ELD45 | H4710 BLKBR-ELD45 | Boston Red |

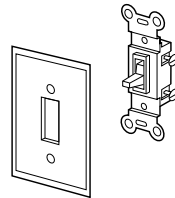
The brick panel liner kits include ceramic panels of the side walls, the rear and the baffle of the firebox. The panels have brick-like features in relief.



Digital Wall Thermostat

The wall thermostat kit provides temperature control for optimum comfort.

| Wall Thermostat, Millivolt | | |
|----------------------------|-----------|----------------------------|
| Cat. No. | Model No. | Description |
| H4635 | DWTK | Wall Thermostat Kit, White |



ON/OFF Wall Switch Kit 85L87 FWSK

ON/OFF Wall Switch Kit

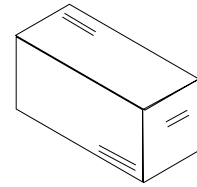
The ON/OFF wall switch kit may be used to control the operation of the fireplace burner as an alternative to the modesty panel mounted ON-OFF switch. Install the ON/OFF wall switch in a convenient location near the fireplace.



Bag of Glowing Embers 88L53 FGE

Bag of Glowing Embers

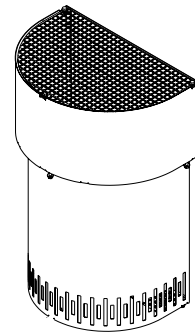
Replacement ember materials are available for use with these appliances. Order a bag of Glowing Embers, Model FGE to replace ember materials as part of the periodic maintenance of the appliance.



Pine Cones and Wood Bits 91L05 FPCK

Twelve Piece Ember Kit

A twelve piece ember kit (model FPCK) has been developed to provide a means of enhancing the already impressive log presentation of this fireplace. This kit contains three (3) ceramic fiber pine cones and nine (9) ceramic fiber debris wood bits. All twelve elements will not be consumed in the flames and may be placed within the presentation area (without impinging any of the lofting flames) to add realism and enhance the rustic look and appeal of the fire.



Horizontal Termination Shroud Kit H5820 4.5HTSK

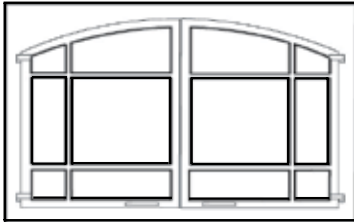
Horizontal Termination Shroud Kit

The horizontal Termination Shroud Kit may be used as a decorative cover for the square termination and to minimize exposure to the hot surface of the termination.

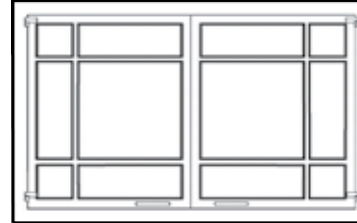
ACCESSORY COMPONENTS CONTINUED

Style View Doors -

Style View Doors come in 2 beautiful styles. They are easy to install and will not require hardware to attach them to the standard glass door frame. The door includes heavy duty magnet door latches and functional twin-pane doors.



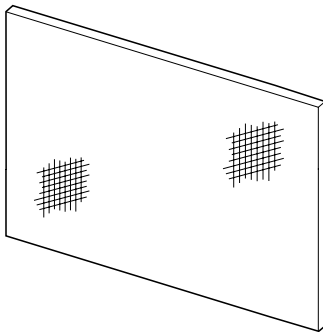
Arch Pane Design



Square Pane Design

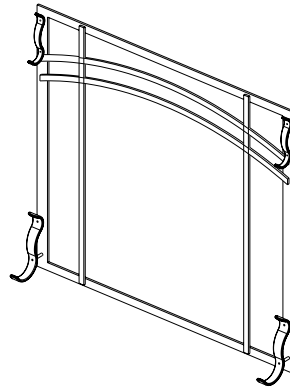
| ARCH PANE DESIGN KITS | | | |
|-----------------------|----------|-------------------------------|--------------|
| Cat. No. | Model | Description | Model Series |
| H3973 | APDL40C | 40" Arch Doors, Charcoal | ELDV40 |
| H3974 | APDL40SP | 40" Arch Doors, Satin Pewter | |
| H3975 | APDL40AB | 40" Arch Doors, Antique Brass | |
| H3976 | APDL45C | 45" Arch Doors, Charcoal | ELDV45 |
| H3977 | APDL45SP | 45" Arch Doors, Satin Pewter | |
| H3978 | APDL45AB | 45" Arch Doors, Antique Brass | |
| H3970 | APDL35C | 35" Arch Doors, Charcoal | ELDV35 |
| H3971 | APDL35SP | 35" Arch Doors, Satin Pewter | |
| H3972 | APDL35AB | 35" Arch Doors, Antique Brass | |

| SQUARE PANE DESIGN KITS | | | |
|-------------------------|----------|------------------------------|--------------|
| Cat. No. | Model | Description | Model Series |
| H3982 | SPDL40C | 40" Sq. Doors, Charcoal | ELDV40 |
| H3983 | SPDL40SP | 40" Sq. Doors, Satin Pewter | |
| H3984 | SPDL40AB | 40" Sq. Doors, Antique Brass | |
| H3985 | SPDL45C | 45" Sq. Doors, Charcoal | ELDV45 |
| H3986 | SPDL45SP | 45" Sq. Doors, Satin Pewter | |
| H3987 | SPDL45AB | 45" Sq. Doors, Antique Brass | |
| H3979 | SPDL35C | 35" Sq. Doors, Charcoal | ELDV35 |
| H3980 | SPDL35SP | 35" Sq. Doors, Satin Pewter | |
| H3981 | SPDL35AB | 35" Sq. Doors, Antique Brass | |



| Screen Panel Kits | |
|-------------------|-----------------------|
| Model No. | Catalog No. Model No. |
| ELDV35 | H3988 35LSPK |
| ELDV40 | H3989 40LSPK |
| ELDV45 | H3990 45LSPK |

These screen panels can be installed on the glass enclosure panel to provide a barrier preventing direct contact with hot glass. The screen panel kits cannot be used in conjunction with either of the arch door kits or door frame kits.



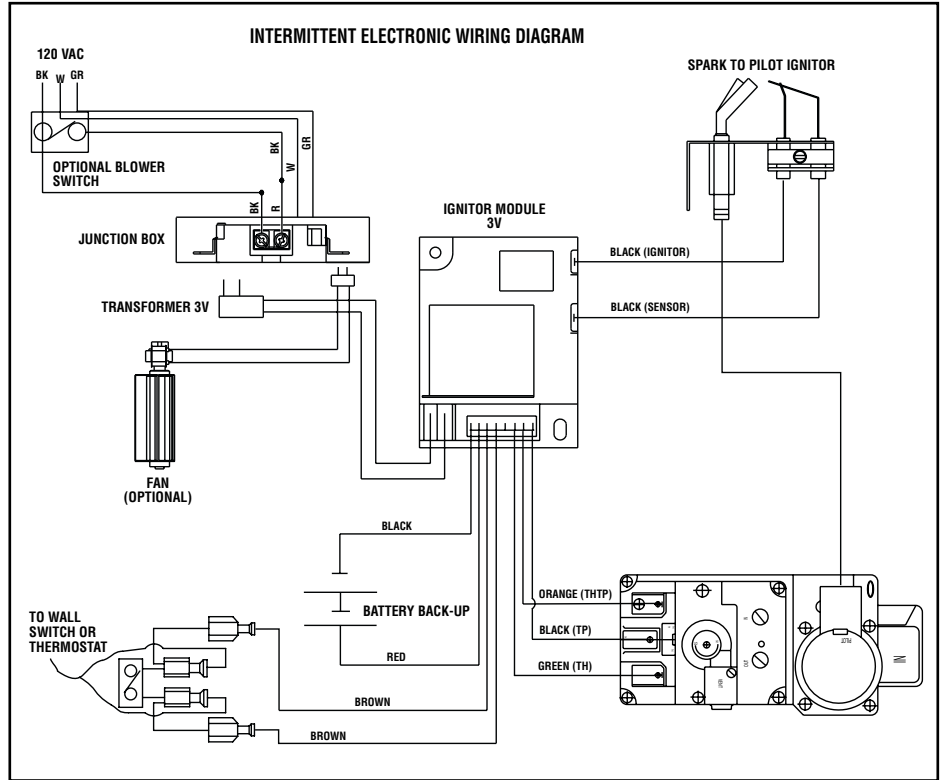
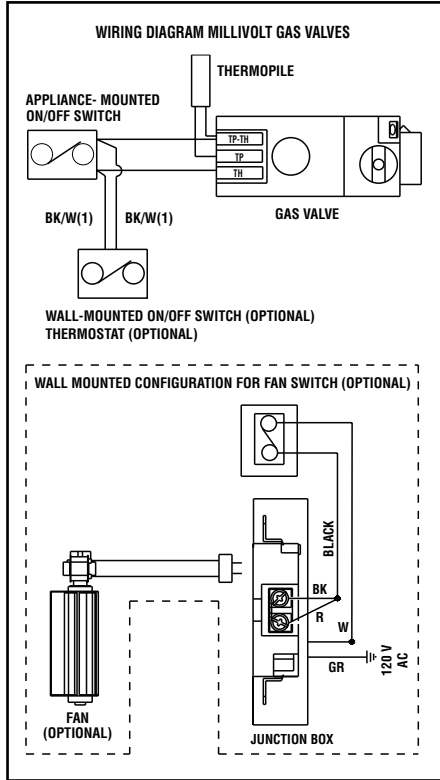
| Dual Arch Screen Kits | |
|-----------------------|-----------------------|
| Model No. | Catalog No. Model No. |
| ELDV35 | H4688 DASK-DV35 |
| ELDV40 | H4689 DASK-DV40 |
| ELDV45 | H4690 DASK-DV45 |

These screen kits can be installed on the glass enclosure panel to provide protection from the hot glass surface.

WIRING DIAGRAMS

Wiring diagrams are provided here for reference purposes only. This information is also provided on schematics attached directly to the appliance on a pullout panel located within the control compartment.

CAUTION: LABEL ALL WIRES PRIOR TO DISCONNECTION WHEN SERVICING CONTROLS. WIRING ERRORS CAN CAUSE IMPROPER AND DANGEROUS APPLIANCE OPERATION.



WARRANTY

Your gas appliance is covered by a limited twenty year warranty. You will find a copy of the warranty accompanying this manual. Please read the warranty to be familiar with its coverage.

Retain this manual. File it with your other documents for future reference.

PRODUCT REFERENCE INFORMATION

We recommend that you record the following important information about your fireplace. Please contact your Lennox dealer for any questions or concerns. For the number of your nearest Lennox dealer, please call 1-800-9-LENNOX.

| |
|--|
| Your Fireplace's Model Number _____ |
| Your Fireplace's Serial Number _____ |
| The Date On Which Your Fireplace Was Installed _____ |
| The Type of Gas Your Fireplace Uses _____ |
| Your Dealer's Name _____ |

REPLACEMENT PARTS

A complete parts list is found at the end of this manual. Use only parts supplied from the manufacturer.

Normally, all parts should be ordered through your Lennox distributor or dealer. Parts will be shipped at prevailing prices at time of order.

When ordering repair parts, always give the following information:

1. The model number of the appliance.
2. The serial number of the appliance.
3. The part number.
4. The description of the part.
5. The quantity required.
6. The installation date of the appliance.

If you encounter any problems or have any questions concerning the installation or application of this system, please contact your distributor, or Lennox directly:

LENNOX HEARTH PRODUCTS
1110 West Taft Avenue
Orange, CA 92865



LIGHTING INSTRUCTIONS – MILLIVOLT GAS VALVE

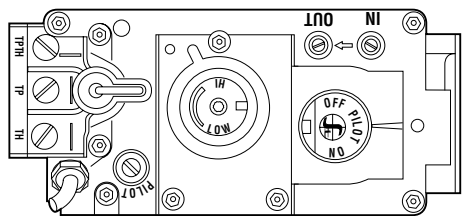
FOR YOUR SAFETY READ BEFORE LIGHTING

WARNING: IF YOU DO NOT FOLLOW THESE INSTRUCTIONS EXACTLY, A FIRE OR EXPLOSION MAY RESULT CAUSING PROPERTY DAMAGE, PERSONAL INJURY OR LOSS OF LIFE.

- A.** This appliance has a pilot which must be lighted with a piezo ignitor. When lighting the pilot, follow these instructions exactly.
- B. BEFORE OPERATING** smell all around the appliance area for gas. Be sure to smell next to the floor because some gas is heavier than air and will settle on the floor.
- WHAT TO DO IF YOU SMELL GAS**
- Extinguish any open flame.
 - Open windows.
 - Do not light any appliance.
 - Do not touch any electrical switches.
 - Do not use any phone in your building.
 - Immediately call your gas supplier from a neighbor's phone.
 - If your gas supplier cannot be reached, call the fire department.
- C.** Use only your hand to push in or turn the gas control knob. Never use tools. If the knob will not push in or turn by hand, do not try to repair it, call a qualified service technician. Force or attempted repair may result in a fire or an explosion.
- D.** Do not use this appliance if any part has been under water. Immediately call a qualified service technician to inspect the appliance and to replace any part of the control system and any gas control which has been under water.

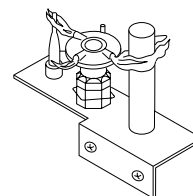
LIGHTING INSTRUCTIONS


1. **STOP!** Read the safety information above on this page.
2. Access the lower control compartment.
3. Turn remote wall switch to "OFF."
4. Verify main line shut-off valve is open.
5. Push in gas control knob slightly and turn clockwise to "OFF."

6. Wait five (5) minutes to clear out any gas. If you then smell gas, STOP! Follow "B" in the safety information above on this page. If you do not smell gas, go to the next step.
7. Push in gas control knob slightly and turn counterclockwise to "PILOT."

8. Push in control knob all the way and hold in. Immediately light the pilot by triggering the spark ignitor (pushing the button) until pilot lights. Continue to hold the control knob in for about 1 1/2 minutes after the pilot is lit. Release knob and it will pop back up. Pilot should remain lit. If it goes out, repeat steps 5 through 8.




Note: Knob cannot be turned from "PILOT" to "OFF" unless the knob is pushed in slightly. Do not force.

- If knob does not pop up when released, stop and immediately call your service technician or gas supplier.
- If pilot will not stay lit after several tries, turn the control knob to "OFF" and call your service technician or gas supplier.



9. Turn gas control knob counterclockwise to "ON."

10. Close lower control compartment.

TO TURN OFF GAS TO APPLIANCE

1. Turn remote wall switch "OFF." The pilot will remain lit for normal service.
2. For complete shutdown, turn remote wall switch to "OFF."
3. Access the lower control compartment.
4. Depress gas control knob slightly and turn clockwise to "OFF." Do not force.

5. Close lower control compartment.

INSTRUCTIONS D'ALLUMAGE – VANNE GAZ MILLIVOLT

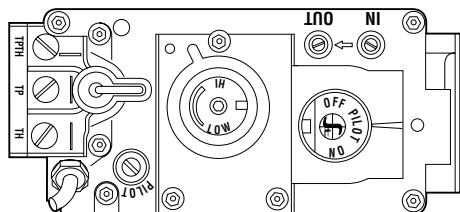
POUR VOTRE SÉCURITÉ, LISEZ CES INSTRUCTIONS AVANT L'ALLUMAGE

AVERTISSEMENT : SI VOUS NE SUIVEZ PAS CES INSTRUCTIONS À LA LETTRE, IL POURRAIT S'EN SUIVRE UN INCENDIE OU UNE EXPLOSION CAUSANT DES DOMMAGES MATÉRIELS, DES BLESSURES CORPORELLES OU MÊME DES PERTES DE VIE.

- A.** Cet appareil est muni d'une veilleuse qui doit être allumée avec un allumeur piézo-électrique. Lorsque vous allumez la veilleuse, suivre exactement ces instructions.
- B. AVANT L'ALLUMAGE:** Assurez-vous que vous ne détectez aucune odeur de gaz autour de l'appareil ainsi que près du sol; certains gaz, étant plus lourds que l'air, descendent au niveau du sol.
VOICI CE QUE VOUS DEVEZ FAIRE SI VOUS DÉCELEZ UNE ODEUR DE GAZ:
- Éteignez toute flamme visible.
 - Ouvrez les fenêtres.
 - N'allumez aucun appareil.
 - Ne touchez à aucun commutateur électrique.
 - Ne vous servez d'aucun téléphone dans votre édifice.
- C.** Appelez immédiatement votre compagnie de gaz en utilisant le téléphone du voisin.
- D.** S'il vous est impossible de contacter votre compagnie de gaz, appelez le service des incendies.
- C.** N'utilisez que votre main pour manipuler le bouton de réglage du gaz. N'utilisez jamais d'outils. Si le bouton refuse de tourner ou de bouger, n'essayez pas de le réparer. Communiquez immédiatement avec un technicien de service qualifié. Toute tentative pour le forcer ou le réparer, risquerait de provoquer un incendie ou une explosion.
- D.** Ne vous servez pas de cet appareil si l'un de ses éléments a été immergé dans l'eau. Appelez immédiatement un technicien compétent pour faire inspecter l'appareil et remplacer toute pièce du système de réglage ou commande du gaz qui a été sous l'eau.

INSTRUCTIONS D'ALLUMAGE

1. **ARRÊTEZ!** Lisez les consignes de sécurité au verso de cette plaque.
2. Ouvrez le compartiment de contrôle du bas.
3. Tournez l'interrupteur mural à la position d'arrêt "OFF".
4. Assurez-vous que la soupape d'arrêt de la canalisation principale est ouverte.
5. Enfoncez légèrement le bouton de réglage du gaz et tournez-le dans le sens des aiguilles d'une montre jusqu'à la position d'arrêt "OFF".



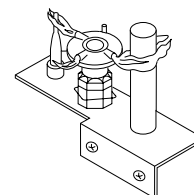
Remarque: Il est impossible de tourner le bouton de "PILOT" à "OFF" à moins qu'il ne soit légèrement enfoncé. Ne le forcez pas.

6. Attendez cinq (5) minutes pour l'évacuation du gaz. Si vous décelez une odeur de gaz, ARRÊTEZ ! Retournez au point "B" des consignes de sécurité au verso de cette plaque. Si vous ne remarquez aucune odeur de gaz, passez à l'étape suivante.
7. Enfoncez légèrement le bouton de réglage du gaz et tournez-le en sens inverse des aiguilles d'une montre jusqu'à la position de veilleuse "PILOT".

8. Enfoncez le bouton de réglage jusqu'au fond et gardez-le enfoncé. Allumez immédiatement la veilleuse en déclenchant l'allume-gaz à étincelle (en poussant le bouton) jusqu'à ce que la veilleuse s'enflamme. Continuez de tenir le bouton de réglage enfoncé pendant environ 90 secondes après l'allumage de la veilleuse. Relâchez le bouton et il sortira subitement. La veilleuse devrait rester allumée. Si elle s'éteint, répétez les étapes 5 à 8 inclusivement.

• Si le bouton ne sort pas automatiquement après avoir été relâché, arrêtez immédiatement et téléphonez à votre technicien de service ou à votre fournisseur de gaz.

• Si la veilleuse refuse de rester allumée après plusieurs tentatives, tournez le bouton de réglage jusqu'à sa position d'arrêt "OFF" et téléphonez à votre technicien de service ou à votre fournisseur de gaz.



9. Tournez le bouton de réglage du gaz en sens inverse des aiguilles d'une montre jusqu'à sa position de marche "ON".
10. Fermez le compartiment de contrôle du bas.
11. Au besoin, rebrancher l'appareil au courant électrique et remettre l'interrupteur du brûleur principal à la position "ON" ou régler le thermostat à la température désirée.
12. Si l'appareil ne fonctionne pas, suivre les instructions intitulées "Pour fermer le gaz qui alimente l'appareil" et appeler un technicien ou le fournisseur de gaz.

POUR FERMER LE GAZ QUI ALIMENTE L'APPAREIL

1. Tournez l'interrupteur mural à la position d'arrêt "OFF". La veilleuse restera allumée jusqu'au retour du service normal.
2. Pour une fermeture complète, tournez l'interrupteur mural à la position d'arrêt "OFF".
3. Ouvrez le compartiment de contrôle du bas.
4. Enfoncez légèrement le bouton de réglage du gaz et tournez-le dans le sens des aiguilles d'une montre jusqu'à la position d'arrêt "OFF". Ne forcez pas le bouton.
5. Fermez le compartiment de contrôle du bas.

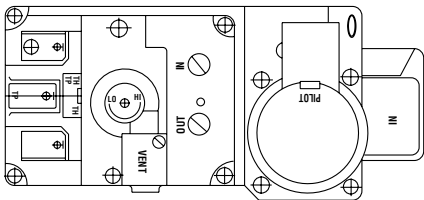
LIGHTING INSTRUCTIONS — ELECTRONIC

FOR YOUR SAFETY READ BEFORE LIGHTING

WARNING: IF YOU DO NOT FOLLOW THESE INSTRUCTIONS EXACTLY, A FIRE OR EXPLOSION MAY RESULT CAUSING PROPERTY DAMAGE, PERSONAL INJURY OR LOSS OF LIFE.

- A.** When lighting the appliance, follow these instructions exactly.
- B. BEFORE OPERATING** smell all around the appliance area for gas. Be sure to smell next to the floor because some gas is heavier than air and will settle on the floor.
- WHAT TO DO IF YOU SMELL GAS**
- Extinguish any open flame.
 - Open windows.
 - Do not light any appliance.
 - Do not touch any electrical switches.
 - Do not use any phone in your building.
- Immediately call your gas supplier from a neighbor's phone.
 - If your gas supplier cannot be reached, call the fire department.
- C.** Use only your hand to turn the gas control lever. Never use tools. If the lever will not turn by hand, do not try to repair it, call a qualified service technician. Force or attempted repair may result in a fire or an explosion.
- D.** Do not use this appliance if any part has been under water. Immediately call a qualified service technician to inspect the appliance and to replace any part of the control system and any gas control which has been under water.

LIGHTING INSTRUCTIONS

- 1. STOP!** Read the safety information above on this page.
 - Turn remote wall switch to "OFF" or set wall thermostat to lowest setting. If used, remove the batteries from the battery holder.
 - This appliance is equipped with an ignition device which automatically lights the pilot. Do not try to light the pilot by hand.
 - Push the unit mounted "ON/OFF" switch to the "OFF" position.
- 
- 5.** Allow sufficient length of time (minimum 5 minutes) for any gas in the combustion chamber to escape. If you still smell gas, STOP! Follow "B" in the safety information above on this page. If you do not smell gas, go to the next step.
6. Push the unit mounted "ON/OFF" switch back to the "ON" position. (The "ON/OFF" switch may include a wall switch if so equipped). Replace the batteries in the battery holder, if used. If the burner does not light or stay lit after several tries, turn the unit mounted "ON/OFF" switch to the "OFF" position and call your service technician or gas supplier. NOTE: Sufficient time must be allowed for air to escape from lines if the unit is being lit for the first time.
 7. Turn HI-LO burner control knob to desired setting and close control door.
 8. Set thermostat to desired setting if applicable.
 9. If the appliance will not operate, follow the instructions "To Turn Off Gas To Appliance" and call your service technician or gas supplier.

TO SHUT OFF

1. Turn off all electrical power to the appliance (remote wall switch) or set the thermostat to the lowest setting, if applicable. Or remove batteries, if used.

TO TURN OFF GAS TO APPLIANCE

1. For complete shut-down, turn remote wall switch to "OFF" or set the thermostat to the lowest setting, if applicable.
2. Turn the ON/OFF switch to "OFF". If step 1 is not applicable.
3. Turn off all electric power to the appliance and remove backup batteries if service is to be performed or for extended shutdown.

INSTRUCTIONS D'ALLUMAGE — ELECTRONIC

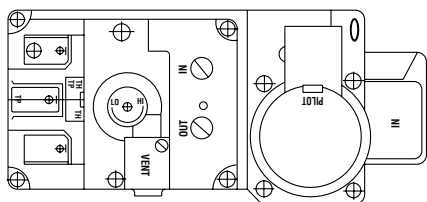
POUR VOTRE SÉCURITÉ, LISEZ CES INSTRUCTIONS AVANT L'ALLUMAGE

AVERTISSEMENT: SI VOUS NE SUIVEZ PAS CES INSTRUCTIONS À LA LETTRE, IL POURRAIT S'EN SUIVRE UN INCENDIE OU UNE EXPLOSION CAUSANT DES DOMMAGES MATÉRIELS, DES BLESSURES CORPORELLES OU MÊME DES PERTES DE VIE.

- A.** Lorsque vous allumez l'appareil, suivez exactement ces instructions.
- B. AVANT L'ALLUMAGE:** Assurez-vous que vous ne détectez aucune odeur de gaz autour de l'appareil ainsi que près du sol; certains gaz, étant plus lourds que l'air, descendent au niveau du sol.
- VOICI CE QUE VOUS DEVEZ FAIRE SI VOUS DÉCELEZ UNE ODEUR DE GAZ**
- Éteignez toute flamme visible.
 - Ouvrez les fenêtres.
 - N'allumez aucun appareil.
 - Ne touchez à aucun commutateur électrique.
 - Ne vous servez d'aucun téléphone dans votre édifice.
- Appelez immédiatement votre compagnie de gaz en utilisant le téléphone du voisin.
 - S'il vous est impossible de contacter votre compagnie de gaz, appelez le service des incendies.
- C.** N'utilisez que votre main pour manipuler l'interrupteur "ON/OFF" de la valve à gaz. N'utilisez jamais d'outils. Si l'interrupteur ne bouge pas manuellement, n'essayez pas de le réparer. Communiquez immédiatement avec un technicien de service qualifié. Toute tentative pour forcer l'interrupteur ou le réparer, risquerait de provoquer un incendie ou une explosion.
- D.** Ne vous servez pas de cet appareil si l'un de ses éléments a été immergé dans l'eau. Appelez immédiatement un technicien compétent pour faire inspecter l'appareil et remplacer toute pièce du système de réglage ou commande du gaz qui a été sous l'eau.

INSTRUCTIONS D'ALLUMAGE

- 1. ARRÊTEZ !** Lisez les consignes de sécurité au verso de cette plaque.
2. Tournez l'interrupteur mural à la position d'arrêt "OFF".
3. Ouvrez la porte du compartiment de contrôle du bas.
4. Assurez-vous que la soupape d'arrêt de la canalisation principale est ouverte.
5. Tournez la manette de réglage du gaz à la position d'arrêt "OFF".
6. Attendez cinq (5) minutes pour l'évacuation du gaz. Si vous décelez une odeur de gaz **ARRÊTEZ !** Retournez au point "B" des consignes de sécurité au verso de cette plaque. Si vous ne remarquez aucune odeur de gaz, passez à l'étape suivante.
7. Tournez la manette de réglage du gaz jusqu'à la position de marche "ON". Ne la forcez pas.
8. Ouvrez le courant électrique ("ON") qui alimente l'appareil (interrupteur mural).
9. Fermez la porte du compartiment de contrôle du bas.
10. Au besoin, rebrancher l'appareil au courant électrique et remettre l'interrupteur principal du brûleur à la position "ON" ou régler le thermostat à la température désirée.
11. Si l'appareil ne se met pas en marche, suivre les instructions intitulées "Pour fermer le gaz qui alimente l'appareil" et appeler un technicien ou le fournisseur de gaz.



POUR ÉTEINDRE L'APPAREIL

1. Coupez tout le courant électrique qui alimente l'appareil (interrupteur mural).

POUR FERMER LE GAZ QUI ALIMENTE L'APPAREIL

1. Pour une fermeture complète, tournez l'interrupteur mural à la position d'arrêt "OFF".
2. Ouvrez la porte du compartiment de contrôle du bas.
3. Tournez la manette de réglage du gaz à la position d'arrêt "OFF". Ne la forcez pas.
4. Fermez la soupape d'arrêt de la canalisation principale.
5. Fermez la porte du compartiment de contrôle du bas.

TROUBLESHOOTING THE MILLIVOLT GAS CONTROL SYSTEM

Note: Before troubleshooting the gas control system, be sure external gas shut off valve (located at gas supply inlet) is in the "ON" position.

Important: Valve system troubleshooting should only be accomplished by a qualified service technician.

| SYMPTOM | POSSIBLE CAUSES | CORRECTIVE ACTION |
|--|--|---|
| 1. Spark ignitor will not light pilot after repeated triggering of ignitor button. | A. Defective ignitor (no spark at electrode). | Check for spark at electrode and pilot; if no spark and electrode wire is properly connected, replace ignitor. |
| | B. Defective or misaligned electrode at pilot (spark at electrode). | Using a match, light pilot. If pilot lights, turn off pilot and trigger the ignitor button again. If pilot lights, an improper gas mixture caused the bad lighting and a longer purge period is recommended. If pilot will not light – check gap at electrode and pilot – should be 1/8" to have a strong spark. If gap measures 1/8", replace pilot (Figure 9 on page 8). |
| | C. Gas supply pressure errant. | Check inlet gas pressure. It should be within the limits as marked on the rating plate. |
| | D. Pilot orifice plugged. | Clean or replace pilot orifice. |
| 2. Pilot will not stay lit after carefully following the lighting instructions. | A. Defective pilot generator (thermocouple). | Check pilot flame, it must impinge on thermocouple (Figure 9 on page 8) Clean and/or adjust pilot for maximum flame impingement on thermocouple. Ensure that the connection between the valve and thermocouple are tight and secure. |
| 3. Pilot burning, no gas to burner, Valve knob "ON," Wall Switch "ON." | A. Wall switch or wires defective. | Check wall switch and wires for proper connections. Jumper wire across terminals at wall switch, if burner comes on, replace defective wall switch. If okay, jumper wires across wall switch wires at valve, if burner comes on, wires are faulty or connections are bad. |
| | B. Thermopile may not be generating sufficient millivoltage. | Check thermopile with millivolt meter. Take reading at thermopile terminals of gas valve. Should read 325 millivolts minimum with optional wall switch "OFF." Replace faulty thermopile if reading is below specified minimum. |
| | C. Plugged burner orifice. | Check burner orifice for stoppage and remove. |
| 4. Frequent pilot/burner outage problem. | A. Pilot flame may be too low or blowing (high) causing the pilot/valve safety to drop out. | Clean and/or adjust pilot flame for maximum flame impingement on thermocouple (Figure 9 on page 8). |

TROUBLESHOOTING THE ELECTRONIC IGNITION SYSTEM

Note: Before troubleshooting, be sure that the appliance main line gas shut-off valve, the gas control valve and the wall switch are in the "ON" position.

Important: Valve system troubleshooting should only be accomplished by a qualified service technician.

| SYMPTOM | POSSIBLE CAUSES | CORRECTIVE ACTION |
|--|---|---|
| 1. Nothing happens when ON/OFF switch is turned on (pilot does not spark). | A. Low voltage/or bad lead wires. | Check voltage on AC terminals of module an/or batteries. The value should be around 2.7 to 3.2 VAC. Confirm that wire connections are secure. |
| | B. Damaged igniter wire. | Check for visible cracked casing, cuts, etc. |
| | C. Damaged pilot assembly. | Check pilot assembly for visibly broken spark electrode, etc. |
| | D. Batteries Low | Check voltage on D.C. terminal of batteries. The value should be around 3.0V |
| 2. The main burner does not light and the igniter is sparking. | A. No fuel supply. | Ensure that the gas supply is turned on. |
| | B. Loose sensor wire. | Ensure sensor wire connection is secure. |
| | C. Lose wires to valve. | Ensure black, green and orange wires connection is secure to valve. |
| | D. Loose wires to ignition module. | Ensure black sensor wire (S) and black igniter wire (I) is secure to ignition module. |
| | E. Air in the gas line. | Purge gas line of air. |
| | F. Low voltage. | Test voltage at AC terminals of module and/or batteries. It should be around 2.7 to 3.2 VAC. |
| 3. The main burner come "ON" but then go "OFF". | A. Gas supply is turned "OFF". | Turned gas supply to "ON". |
| | B. Loose wire connection on valve or ignition module. | Check wire connection. |
| | C. Flame does not engulf flame sensor. | Check location of sensor. |
| | D. Obstructed vent system. | Check vent system for obstructions. |
| 4. The log and glass soot. | A. Flame impingement on the log. | Check for proper log placement. |
| | B. Improper air shutter opening. | Check for proper air shutter openings. |

REPLACEMENT PARTS LIST

| No. | DESCRIPTION | ELD35 | | ELD40 | | ELD45 | |
|-----|------------------------------------|----------|------|----------|------|----------|------|
| | | Part No. | Qty. | Part No. | Qty. | Part No. | Qty. |
| | Gas Fireplace Assembly | — | — | — | — | — | — |
| 1. | Enclose, Door Assembly | H4653 | 1 | H4654 | 1 | H4655 | 1 |
| 2. | Log Set | H4656 | 1 | H4657 | 1 | H4658 | 1 |
| 3. | Burner Assembly - Natural | H7203 | 1 | H7204 | 1 | H7204 | 1 |
| | Burner Assembly - Propane | H7203 | 1 | H7246 | 1 | H7246 | 1 |
| 4. | Gasket - Venturi | 43K85 | 1 | 43K85 | 1 | 43K85 | 1 |
| 5. | Venturi | H1428 | 1 | H1428 | 1 | H1428 | 1 |
| 6. | Bottom Panel | H4661 | 1 | H4662 | 1 | H4663 | 1 |
| 7. | Access Plate, Blower | H4664 | 1 | H4664 | 1 | H4664 | 1 |
| 8. | Latch | 69L21 | 2 | 69L21 | 2 | 69L21 | 2 |
| 9. | Gasket, Access Plate, Blower | H4665 | 1 | H4665 | 1 | H4665 | 1 |
| 10. | Grate Assembly | H4666 | 1 | H4667 | 1 | H4667 | 1 |
| 11. | Burner Baffle | H4668 | 1 | H4669 | 1 | H4670 | 1 |
| 12. | Flex Gas Line | 93L32 | 1 | 93L32 | 1 | 93L32 | 1 |
| 13. | Gas Line Tubing - Millivolt | H4671 | 1 | H4671 | 1 | H4671 | 1 |
| | Gas Line Tubing - Electronic | H4672 | 1 | H4672 | 1 | H4672 | 1 |
| 14. | Orifice - Natural | 99K76 | 1 | 24M10 | 1 | 18L40 | 1 |
| | Orifice - Propane | 39L10 | 1 | 21L01 | 1 | 74L88 | 1 |
| 15. | On/Off Control Switch | 27K30 | 1 | 27K30 | 1 | 27K30 | 1 |
| 16. | Plate Relief Assembly | 28L08 | 2 | 28L09 | 2 | 28L09 | 2 |
| 17. | Bracket Pressure Relief | H4680 | 2 | H4680 | 2 | H4680 | 2 |
| 18. | Volcanic Stone | 80L42 | 1 | 80L42 | 1 | 80L42 | 2 |
| 19. | Vermiculite | H3696 | 1 | H3696 | 1 | H3696 | 1 |
| 20. | Gas Supply Access Plate | H4827 | 1 | H4827 | 1 | H4827 | 1 |
| 21. | Gasket, Access Plate, Gas | H4828 | 1 | H4828 | 1 | H4828 | 1 |
| 22. | Eyebrow | H5073 | 1 | H5074 | 1 | H5075 | 1 |
| 23. | Top Front Face | H5069 | 1 | H5070 | 1 | H5072 | 1 |
| 24. | Rear Log Support Bracket - Natural | H7247 | 1 | H7248 | 1 | H7248 | 1 |
| | Rear Log Support Bracket - Propane | H7247 | 1 | H7249 | 1 | H7249 | 1 |

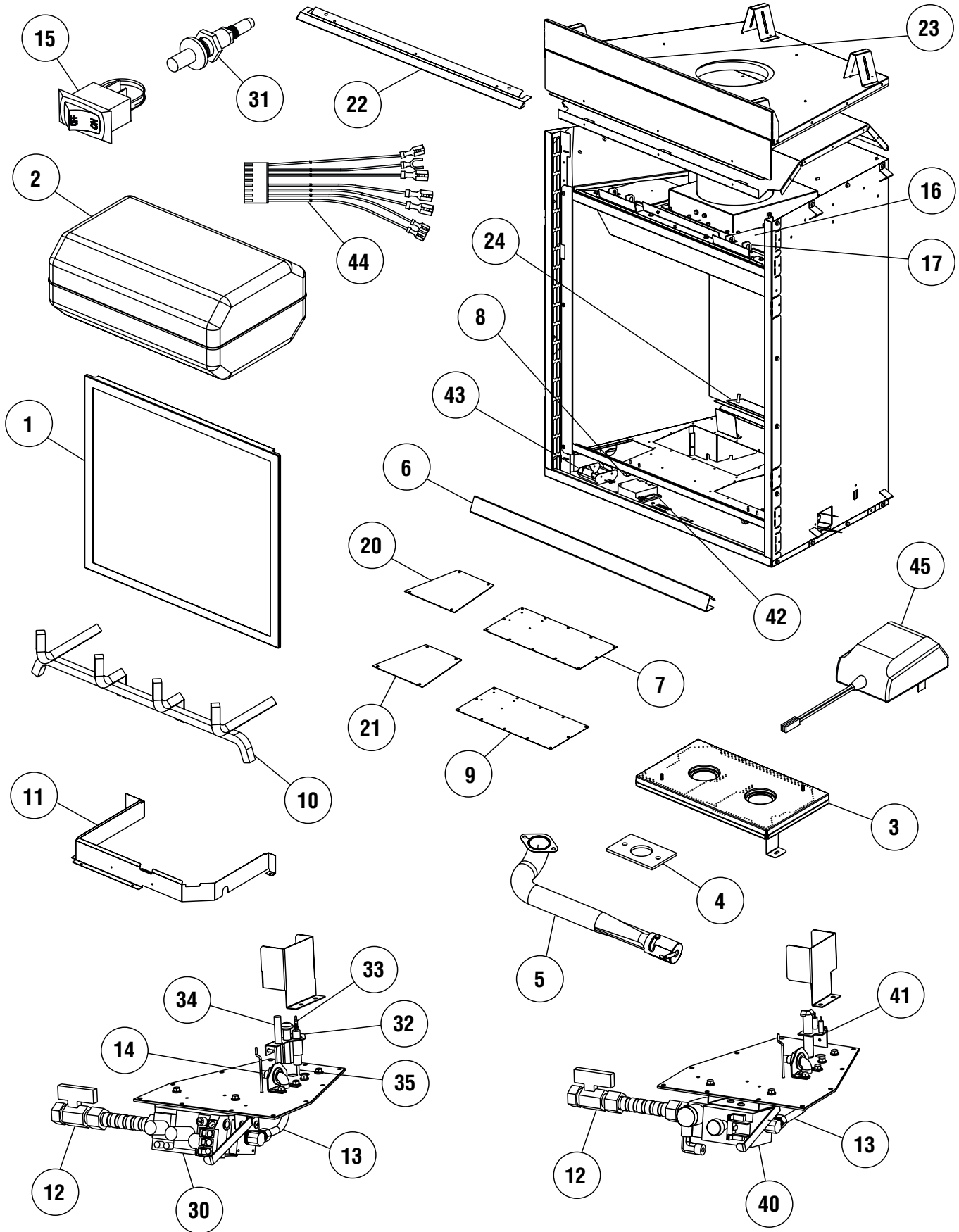
GAS CONTROLS — SIT MILLIVOLT

| No. | DESCRIPTION | Natural | | Propane | |
|-----|---------------------|----------|------|----------|------|
| | | Part No. | Qty. | Part No. | Qty. |
| 30. | Gas Valve - SIT | 43K07 | 1 | 88J53 | 1 |
| 31. | Piezo Igniter | 10K86 | 1 | 10K86 | 1 |
| 32. | Pilot Assembly | 69L17 | 1 | 69L18 | 1 |
| 33. | Pilot Generator | 60J79 | 1 | 60J79 | 1 |
| 34. | Thermocouple | 74L57 | 1 | 74L57 | 1 |
| 35. | Pilot Tube | 74L56 | 1 | 74L56 | 1 |
| 36. | Electrode And Cable | 74L58 | 1 | 74L58 | 1 |

GAS CONTROLS — DEXEN ELECTRONIC

| No. | DESCRIPTION | Natural | |
|-----|-------------------|----------|------|
| | | Part No. | Qty. |
| 40. | Gas Valve - Dexen | H4681 | 1 |
| 41. | Pilot Assembly | H4673 | 1 |
| 42. | Ignitor Module | H4674 | 1 |
| 43. | Battery Holder | H4675 | 1 |
| 44. | Wire Harness | H4676 | 1 |
| 45. | Adapter | H4677 | 1 |

REPLACEMENT PARTS



NOTE: DIAGRAMS & ILLUSTRATIONS NOT TO SCALE.

Lennox Hearth Products reserves the right to make changes at any time, without notice, in design, materials, specifications, prices and also to discontinue colors, styles and products. Consult your local distributor for fireplace code information.

Printed in U.S.A. © 2006 by Lennox Hearth Products
P/N 875,030M REV. B 05/2008



HEARTH PRODUCTS

1110 West Taft Avenue • Orange, CA 92865