

DAM-E3352

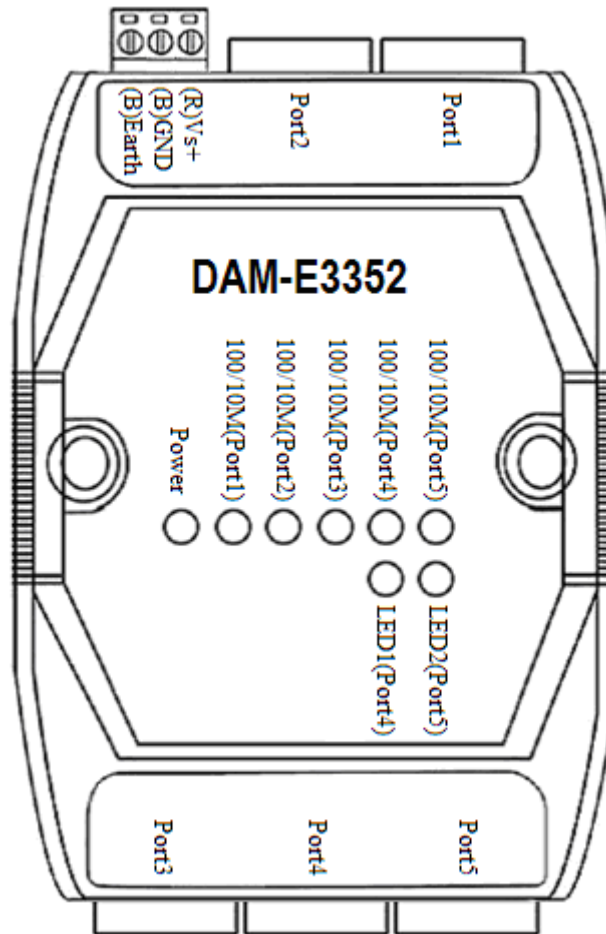
User's Manual



Beijing ART Technology Development Co., Ltd.

DAM-E3352 Module

Terminal Distribution



Features

Five Interfaces Ethernet Switch with POE Function

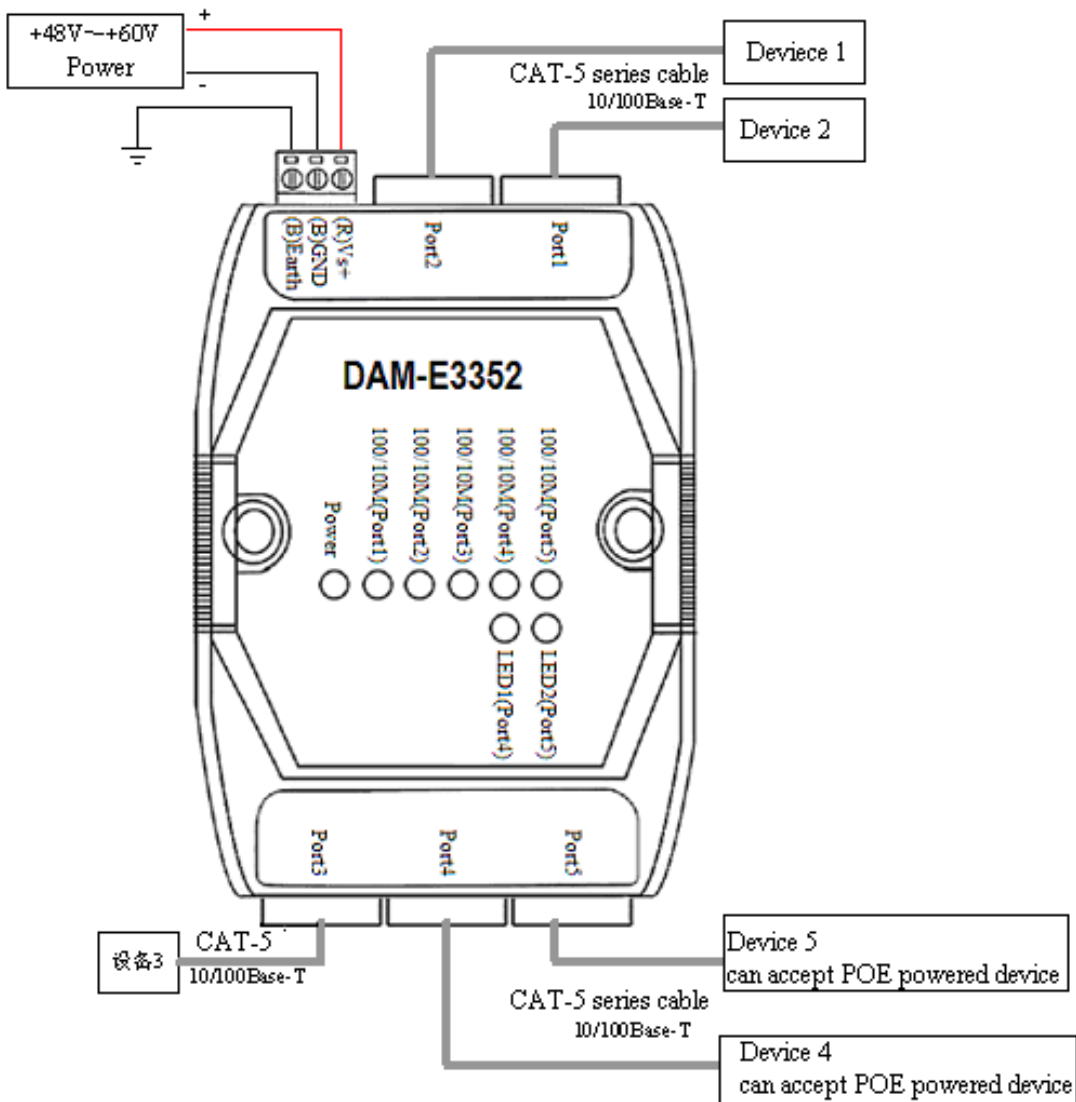
- Network ports: 5-ch, 10/100Mbps, RJ-45 interface
- POE port: 2-ch, 10/100MBase-TX, with POE power supply function, compatible with the IEEE802.3af standard
- LED displays: 8 (1 for power supply, 5 for RJ45, and 2 for POE)
- Supports MDI / MDIX auto crossover
- Power supply: +48~+60V
- Operating temperature: -10°C~65°C
- Operating humidity: 20~95% (non-condensed)
- Power Consumption: 3W (without using POE power supply), each POE interface can max load 13W device

Hardware Description

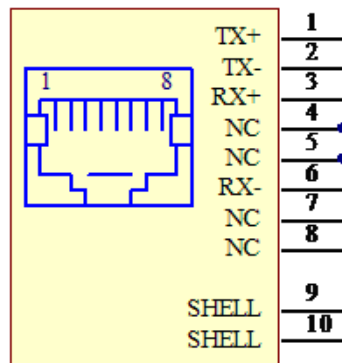
- Power Terminal: 3.81mm pitch, 2-pin green terminal
- Power Line: recommended to use more than 0.5 mm² (AWG20) wire
- Network Cable: CAT-5 series cable
- Ground terminal (Earth): when we use it, the module must be connected to the earth to prevent electrostatic damage
- Indicator: there are eight indicators, one power indicator (POWER), five Network indicators (100/10M (Ports 1 to 5)) and two POE indicators , the following is the specific status:

Indicator	Color	Status	Description
POWER	Green	on	+10~+30V power supply is connected
		off	No power
100/10M (Ports 1 to 5)	Green (Link)	on	Connected to the Ethernet
		flashing	working
		off	Ethernet is not connected
	Yellow (Speed)	on	Connect to the 100MbpsNetwork
		off	Connect to the 10MbpsNetwork
	LED1(Port4)	Red	on
off			Port4 does not connect with POE powered device, no voltage output
LED2(Port5)	Red	on	Port5 connect with POE powered device, the output voltage is 48V
		off	Port5 does not connect with POE powered device, no voltage output

Wiring Diagram



Ethernet Interface



RJ45R

RJ45 pin definition: 1, 2 pins are differential output signal TX +, TX-, 3,6-pin are the differential input signal RX +, RX-, when 4,5 and 7,8 pins connect with the common network device are idle, however, it is the positive port when connect with network device with POE function. Using the CAT-5 twisted cable to connect with other Ethernet devices (such as computers, routers, switches, etc.), both the cross-cable or direct-cable is ok.

Installation Instruction

DAM-E3352 can be installed in standard DIN rail inside the cabinet, it also can be installed by stacking mode.

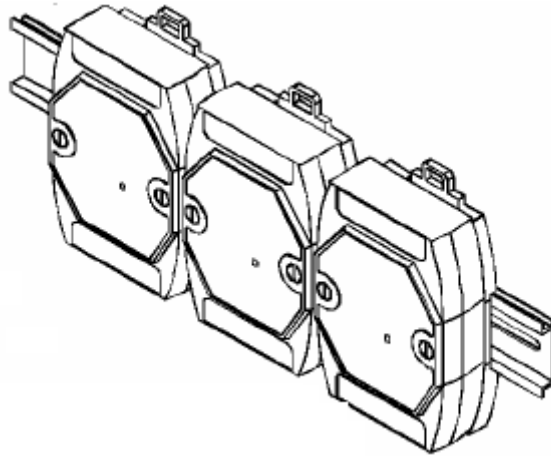


Fig.1 standard DIN installation

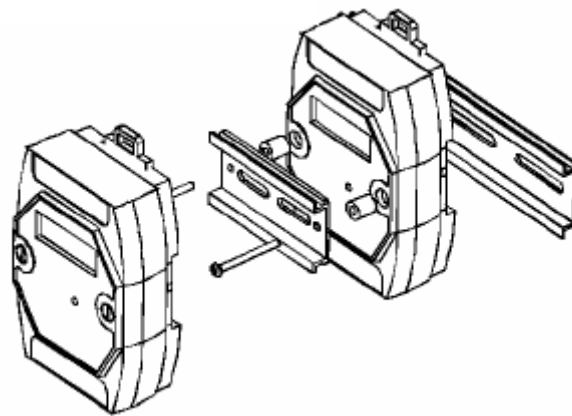


Fig.2 stack installation