



HEARTH PRODUCTS

HEARTH PRODUCTS  
KITS AND ACCESSORIES

P/N 506019-19  
REV. N/C 01/2008

REFLECTIONS TELEVISION  
REPLACEMENT KIT

## INSTALLATION INSTRUCTIONS FOR THE REFLECTIONS ELECTRIC FIREPLACE TELEVISION REPLACEMENT KIT (NUMBER: H6963)

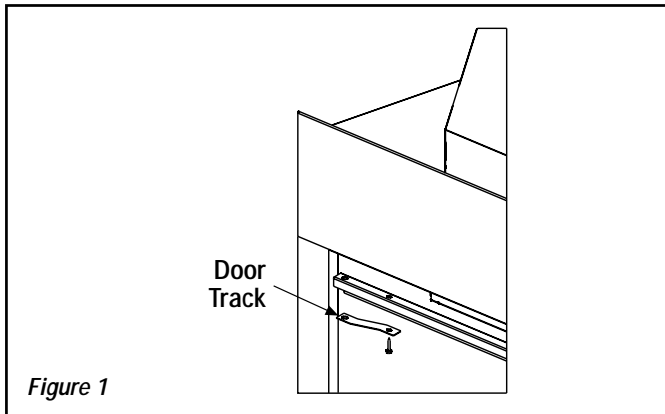
### REPLACEMENT INSTRUCTIONS

#### Removal Of The Existing TV From The Reflections Electric Fireplace

Step 1. Disconnect the electrical power to the fireplace.

Step 2. Remove the doors from the fireplace.

Step 3. See *Figure 1* for the location of the door track and remove it. Keep the two (2) door clips and screws to be used again upon re-assembly.



Step 4. Remove the reflective glass. To access the logs, grate embers and lights, the glass panel needs to be removed. For an illustration of the glass panel installation, (refer to *Figure 8, on page 4*).

First sweep the screens inward and tie up and out of the way. The glass is not secured by any fasteners. The back rests on two insulated tabs and the front is hooked behind a lip.

**CAUTION: WHEN REMOVING THE GLASS, DO NOT LET THE BACK OF THE PANEL SLIP OFF OF THE INSULATED TABS IN THE BACK. THIS COULD ALLOW THE GLASS TO DROP INTO THE REFRACTORY PANELS OR LOGS AND BREAK THEM.**

The lower front corners of the glass are exposed to provide a place to grip the glass panel. Grip the corners firmly; lift the panel back and up against the top of the unit.

Disengage the glass from behind the front lip and rotate the front upwards. Slide one hand under the glass and support the panel. Draw the glass out of the unit and set it carefully aside.

### Glass Information

- This unit will not operate properly with missing or broken glass.
- Do not strike or slam the glass.
- Do not use abrasive cleaners to clean the glass.
- This appliance uses tempered glass. Replacement of the glass as supplied by the manufacturer should be done by a qualified service technician.

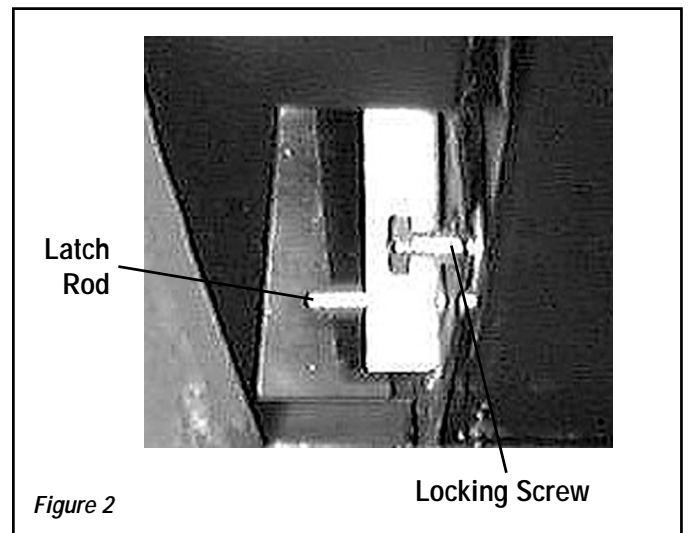
Step 5. Remove the Logs.

Step 6. Remove the Grate.

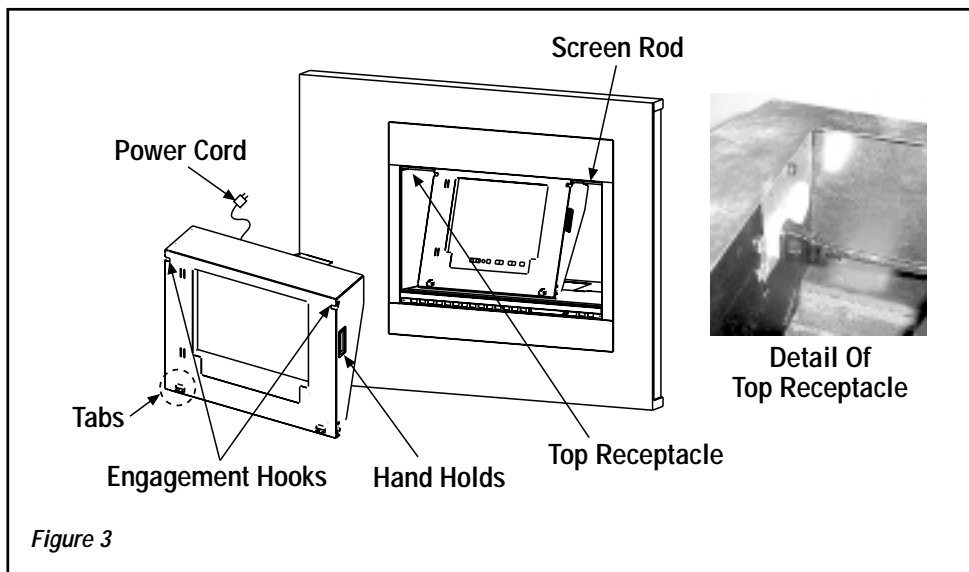
Step 7. Remove the Ember Bed.

Step 8. Disconnect and label the video and audio cables from the TV and remove the IR module.

Step 9. Locate the two locking screws that secure the television assembly and remove them (*see Figure 2*).



Step 10. Press upwards on the latching rods to free the television assembly. Once free, the assembly will rotate down to a vertical position hanging from the screen rods (*refer to Figure 3*).



**CAUTION: THE TELEVISION ASSEMBLY IS HEAVY. PLEASE CLEAR THE AREA IN FRONT OF THE FIREPLACE BEFORE ATTEMPTING TO SWING THE UNIT INTO POSITION. THE UNIT MUST SWING SLIGHTLY PAST HORIZONTAL TO LATCH. WE SUGGEST THAT TWO PEOPLE PERFORM THIS STEP.**

Step 11. Lift the assembly upwards to free it from the screen rods.

Step 12. Lay the television tray assembly onto a flat surface. Use a cardboard protector to protect the tray from marring.

Step 13. Undo the straps to remove the existing TV.

#### INSTALLING THE REPLACEMENT TV

Step 1. Open the television box and remove all packing materials from the unit. Remove the television and place it beside the tray.

*Note: The Television is provided with a remote control. The fireplace does not require this remote control. It may be discarded.*

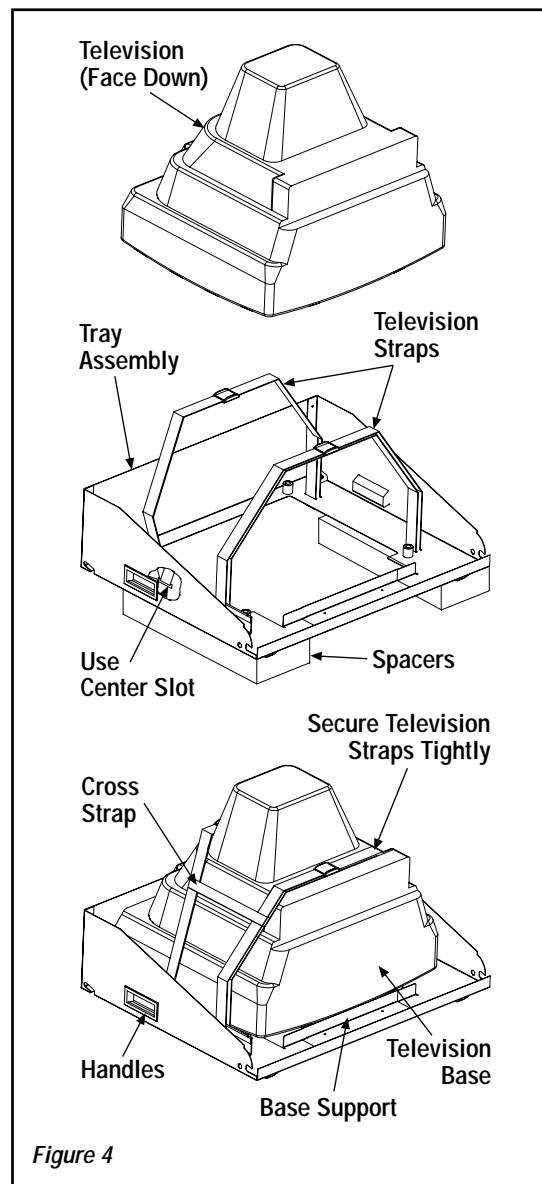
Drrape the straps to the side of the tray assembly, out of the way as much as possible.

The television will lay face down on the tray as shown in *Figure 4*. The television is oriented centrally on the tray with the bottom against the base support. The straps are then doubled over the unit as shown in *Figure 4* and drawn very taut. Cross strap both sides tightly (with straps provided inside carton support package) to prevent the television from slipping out of position.

*Note: The TV screen protrudes below the bottom frame of the tray assembly. Be sure to support the tray assembly above the work surface to protect the TV screen. Use the spacers from the TV box to do this.*

Lift the assembly up onto its base (as shown in *Figure 3*) and verify the security of the straps. Use the handles on each side of the unit to lift and hold the unit.

**CAUTION: THE SECURITY OF THE STRAPS IN THIS ASSEMBLY IS IMPORTANT SO THAT THE INSTALLATION STEPS THAT FOLLOW CAN BE PERFORMED SAFELY.**



**Step 2.** Hook the television assembly onto the screen rod pins and let the unit hang in position. Plug the television power cord into the top receptacle routing behind the television latch (see *Figure 3*).

**Step 3.** The television assembly will rotate up into the unit and lock onto the latch rod. See *Figure 2*.

**CAUTION: THE TELEVISION ASSEMBLY IS HEAVY. PLEASE CLEAR THE AREA IN FRONT OF THE FIREPLACE BEFORE ATTEMPTING TO SWING THE UNIT INTO POSITION. THE UNIT MUST SWING SLIGHTLY PAST HORIZONTAL TO LATCH. WE SUGGEST THAT TWO PEOPLE PERFORM THIS STEP.**

**Step 4.** Two locking screws have been provided to secure the television assembly after installation. Locate the two slots in the assembly immediately in front of the latching rod. Hand tighten the screws completely into the inserts on both sides.

**Step 5.** Refer to *Figure 1* for the location of the door track and install at this time. Two door clips have been provided with these instructions.

**Step 6.** Locate the Television RCA cord, suspended from the fireplace top. Connect this cable to the jacks located at the front of the television. The red cable connector is for sound and connects to the audio jack at the front of the TV (see *Figure 5*).

The other connector may be white or yellow. This connector is for the video and connects to the yellow jack in the front of the television. Attach the IR transmitter to the television at the location shown in *Figure 5*. Placing this correctly is very important.

#### UNIT ACTIVATION

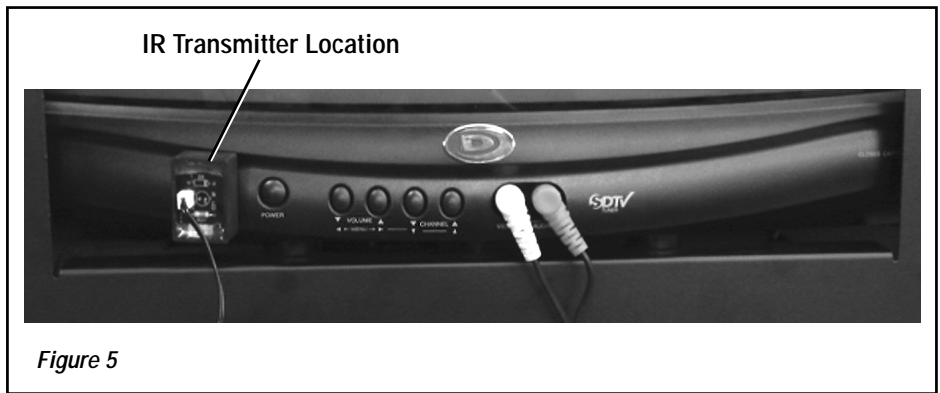
The unit is ready to power-up for the first time.

At this time all connections should be made and tested to assure proper operation.

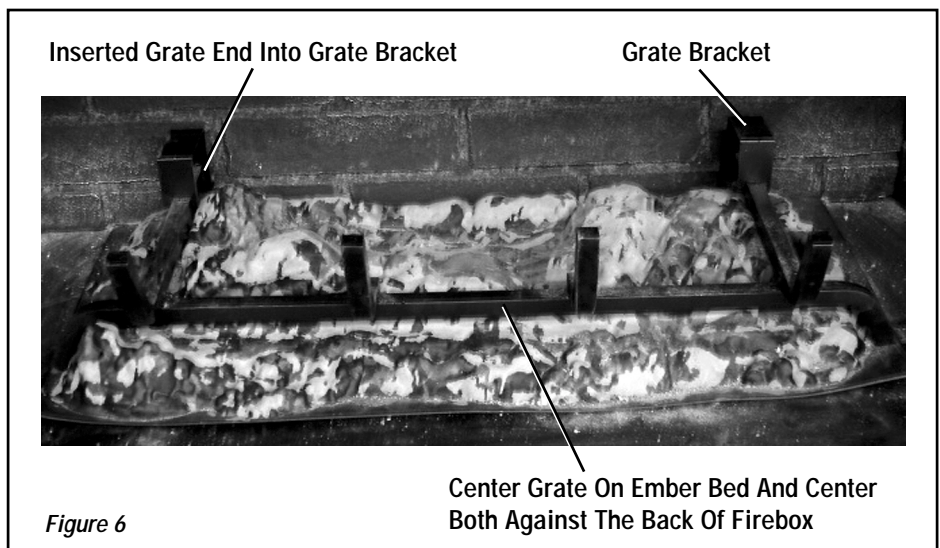
Locate the circuit breaker for the fireplace at the main electrical source and turn it on. Press the power button on the remote. The ember light will come on.

The DVD is configured to play automatically and the television is set to receive the DVD signal directly. If the operation is correct, and image of the flame should be on the Television and sound should be coming from the unit.

*Note: The television set will turn on about 15 seconds after the DVD player is on.*



*Figure 5*



*Figure 6*

#### COMPLETING THE ASSEMBLY

After all functions are tested the assembly can be completed.

Install the side refractory panels at this time. Be sure to select the side that align best with the back grout pattern.

1. Place the ember bed against the back wall of the fireplace, over the ember compartment.
2. Slide the grate brackets with the square hole towards the rear and over the grate bar, as shown in *Figure 6*.
3. Insert the grate end bars under the front rectangular cut-out and all the way into the square holes in the grate brackets.
4. Place the grate onto the ember bed as shown in *Figure 6*. Use the back brick pattern as a guide to center the grate.
5. Assemble the logs onto the grate as identified in *Installing The Logs* on page 4.
6. Pour elements of the loose embers over and around the ember bed to your liking. Turn on the unit to help judge the look of the ember placement. It is best to pour all of the material to cover the leading edge and spreading the embers from there.

7. Check the placement one last time before continuing.

*Note: After glass placement, removing it for adjustment is awkward and should be avoided.*

8. Clean on both sides of the glass thoroughly. Use cotton gloves so you can hold the glass without smudging it. The underside of the glass is inaccessible after installation. Any smudges on the back side will be difficult to clean.

9. After the glass is clean, lift the glass with the gloved hand and hold it in front of you like a serving platter, with the narrow side away from you. Insert the narrow end into the fireplace and press the glass onto the two black rubber tabs in the back of the firebox (see *Figure 8*).

10. Lower the front edge down to the front lip of the fireplace and hook the glass behind the lip in the base cover.

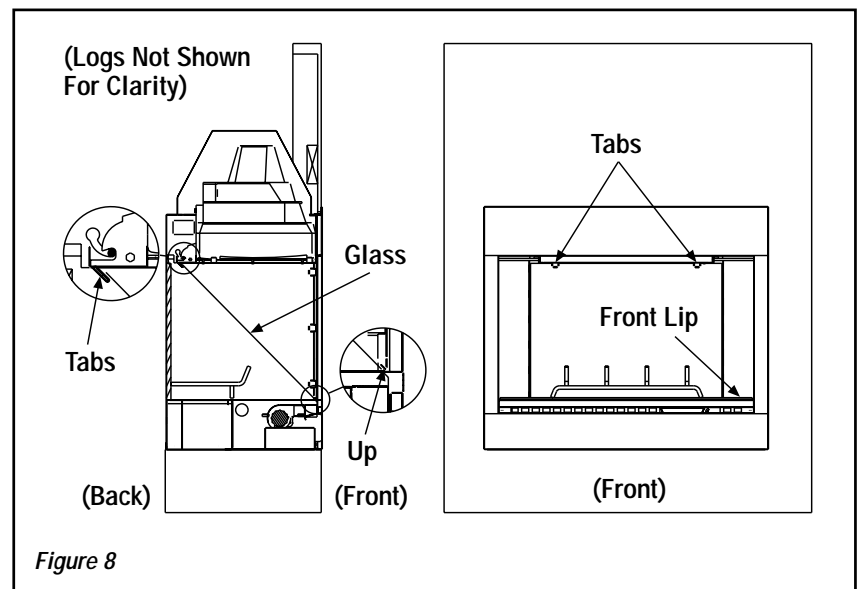
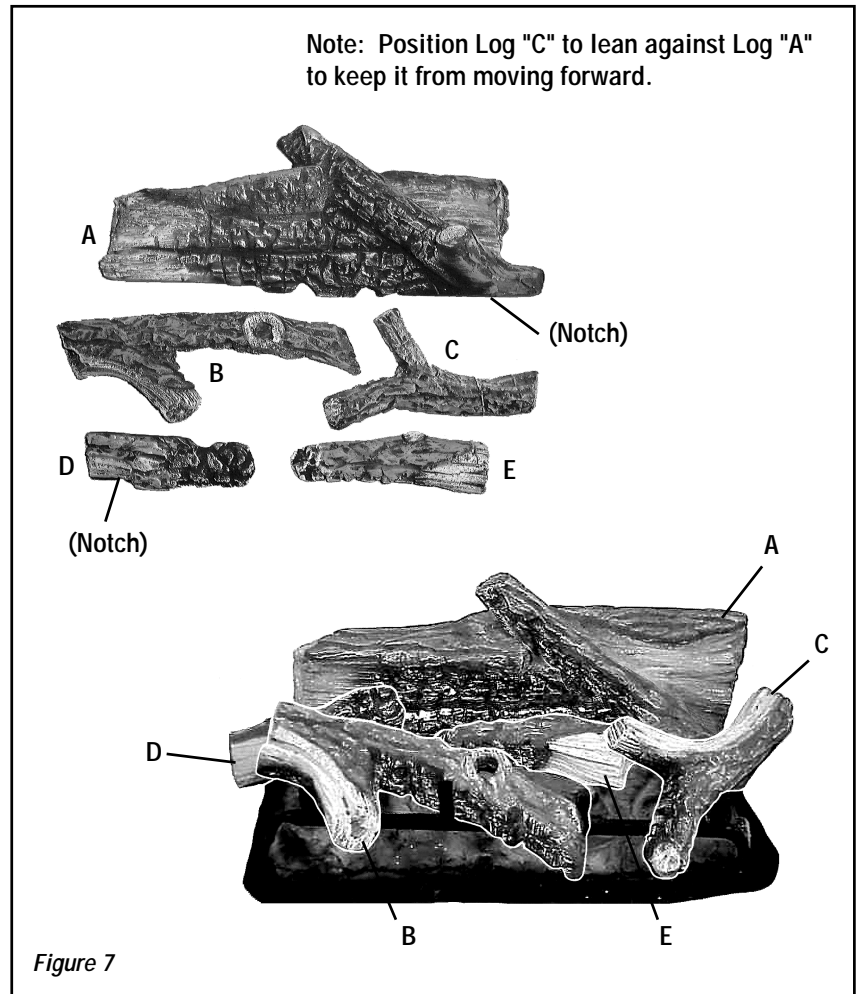
If you haven't done so already, turn on the unit. Step back and examine the flame placement in correlation with the logs.

Refer to **Step 4** and the **Glass Information** on page 1 and adjust if necessary.

#### INSTALLING THE LOGS

Place Log Assembly **A** on the grate first and center it against the back of the grate, engaging the notch at the bottom right hand side of the log assembly on the right grate bracket. The correct placement of Log Assembly **A** is important to provide the proper visual effect. Placement of the other logs can be adjusted to suit individual taste. Our suggested placement is shown in *Figure 7*.

*Note:* Log **D** is provided with a notch on its bottom side to be engaged over the left grate bar. Log **E** should be placed in the cradled depression in the middle of the ember bed, charred end to the left.



The manufacturer reserves the right to make changes at any time, without notice, in design, materials, specifications, prices and also to discontinue colors, styles and products. Consult your local distributor for fireplace code information.