

OWNER'S MANUAL

KY-25 KY-35
KYd-25 KYd-35



Portable Air Conditioner

- *Cooling*
- *Heating*
- *Dehumidifying*
- *Fan*

**Please read this owner's
Manual carefully before
operating the unit.**

TABLE OF CONTENTS

INTRODUCTION.....	3
IMPORTANT SAFEGUARDS.....	3
PACKAGE CONTAINS:	3
NAMES OF PARTS	4
INSTALLATION BEFORE USE.....	5
CONTROL PANEL AND LCD DISPLAY	6
CONTROL PANEL FUNCTIONS	7
OPERATION USING CONTROL PANEL	8
OPERATION USING REMOTE CONTROLLER	9
MAINTENANCE.....	10
TECHNICAL SPECIFICATIONS	11

INTRODUCTION

Thank you for purchasing the air-conditioner. This unit is designed for improving living and working comfort by providing cooling, dehumidifying and fan functions only with a minimum installation required. With its quiet operation and attractive design, you will enjoy the convenience and comfort that this unit provides for many years to come.

When operating as an air conditioner, this unit is designed for spot cooling or cooling for a room no larger than 400 square feet with the standard ceiling height.

The unit also has power outage auto reset function. The unit automatically returns to the original setting after a power outage.

IMPORTANT SAFEGUARDS

Before you use your portable air conditioner, please read this operation manual carefully.

- 1) Never use or store gasoline or other flammable vapor or liquid near this unit.
- 2) Maintain at least 10" (25 CM) clearance space from this unit. Avoid air inlet or outlet grilles from being covered or closed off.
- 3) The power supply must be properly grounded.
- 4) Do not use an adapter plug or extension cord.
- 5) Do not use the unit in the immediate surroundings of a bath, a shower or a swimming pool.
- 6) Do not let children play near this unit.

PACKAGE CONTAINS:

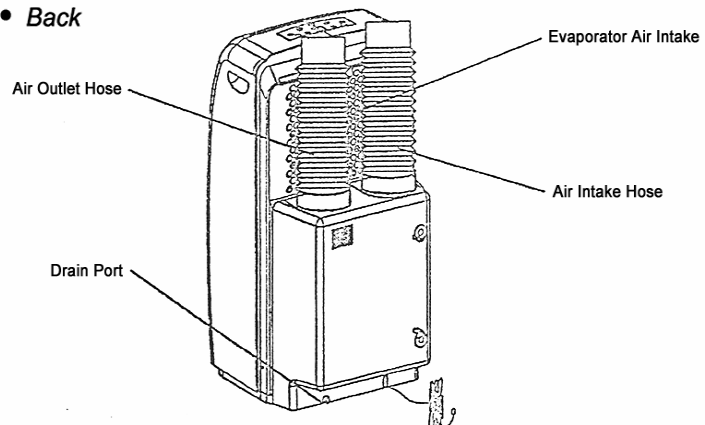
Mobile Air Conditioner
Exhaust Duct (2)
Unit Terminal End (2)
Window Kit Adapter (2)
Remote Controller
AAA Batteries (2)
Window Kit - 3 Sliding Panels
Exhaust Outlet Wall Covers (2)
User Manual

NAMES OF PARTS

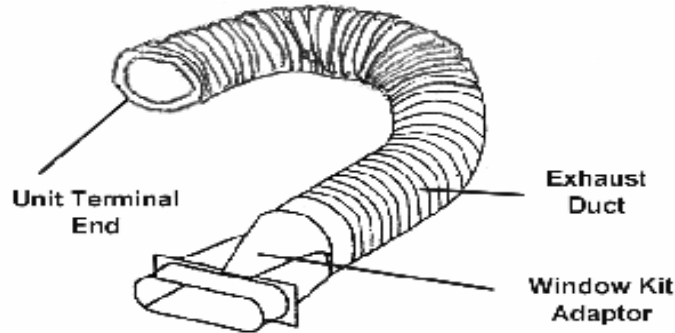
- *Front*



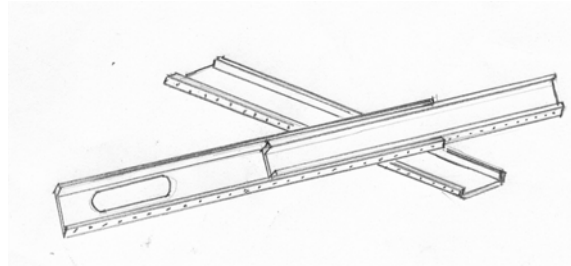
- *Back*



Exhaust Duct



Window Kits



INSTALLATION BEFORE USE

1) Exhaust Duct

When you use the unit as an air conditioner or a dehumidifier, the fresh outdoor air must be directed to the unit and the hot air must be exhausted out of the room to complete the air exchange. When the unit is operating on fan or heating models, no outdoor air exchange takes place. You do not need to hookup the window kits and exhaust hose when you use the unit as a fan or a heater.

- a) Pull out of both ends of the exhaust ducts for approximately 6".
- b) Screw clockwise the exhaust ducts with one end to the terminal end and other end to the window kit adaptor.
- c) Remove exhaust outlet wall covers from the back of the unit by screwing the covers counter-clockwise before lifting them up.
- d) Mount terminal ends of the exhaust hoses to the unit.
- e) Open window or sliding door for approximately 5 inches (130 mm)
- f) Adjust the length of the window kit to the same length of the window or the

sliding door. Use all three panels if necessary. Cut the window piece as needed to fit the length of your window or sliding door. Make sure that both holes on the main piece are not covered by other pieces.

- g) Place the window kit to the window or sliding door. Close the window or door as far as it goes.
- h) Adjust the lengths of exhaust hose and affix the window kit adapters onto the holes on the window kit.

NOTE: When using the window kit on a window or sliding door it will cause the window or sliding door not to be properly closed and locked. Additional security measurements should be taken

Wall Mount

- 1) Do not use window kit adapter. Mount the one end of the exhaust ducts onto holes of 5" on the wall.
- 2) Using exhaust outlet wall covers to cover the holes in the wall when the unit is not in use.

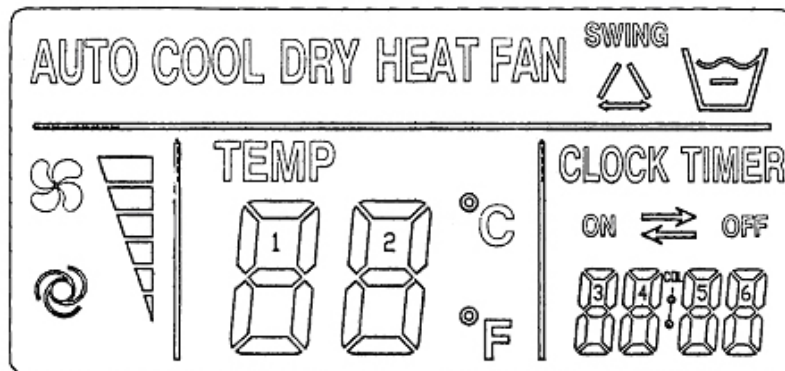
NOTE: In order to increase the efficiency, the exhaust ducts should be keeping as short and straight as possible. It is not recommended to increase the manufacturer's length of the exhaust hose. This may impede or damage the unit.

CONTROL PANEL AND LCD DISPLAY

CONTROL PANEL



LCD DISPLAY



Control Panel Functions

- 1) Power On/Off Control
Starts or Stops the Unit

- 2) Mode Control
Select the functions of the unit for:
Fan Mode
Cooling Mode
Heating Mode
Dehumidifying Mode
Auto Mode

- 3) Fan Speed Control
Select the fan speed for:
High
Medium
Slow
Auto

- 4) Temperature/Time
Select the desired temperature by pressing either \wedge or \vee key when using the unit in cooling or heating function. The LCD flashes to displays the desired temperature during the setting. The LCD display room temperature when it is not at temperature setting mode. The buttons are also used for setting time and timer.

The LCD display either in Celsius or Fahrenheit. Press Temperature/Time \wedge and \vee keys simultaneously to change the display from Celsius to Fahrenheit or Fahrenheit to Celsius.

5) Select and Set/Cancel

Using Select and Temperature/Time keys to set clock and timer. To set clock, press the Select key until the LCD display shows flashing current time. Pressing either \wedge or \vee Temperature/Time keys to change the clock to the current time. Press Select key again until the display shows current time in a constant mode.

To program the timer, press Select key until the LCD display shows a flashing "on". Pressing either \wedge or \vee Temperature/Time keys to change the clock to the desired time for the unit being turned on. Press Select key one more time and the LCD display will show a flashing "off". Pressing either \wedge or \vee Temperature/Time keys to change the clock to the desired time for the unit being turned off. Press the Select key again until the display shows a constant clock

To activate the timer that you programmed, press Set/Cancel button to choose either on, off or repeating (on-off) of the timer operation.

OPERATION USING CONTROL PANEL

1) Cooling Operation

- a) Install the exhaust ducts properly.
- b) Plug the Power Cord to the power outlet.
- c) Turn on the unit by pressing the On/Off Button on the control panel.
- d) Press Mode Button until "Cool" appears on the LCD display
- e) Press the Temperature/Time Button \wedge or \vee until the desired room temperature appears on the LCD. The temperature ranges from 61°F-88 °F (16 °C-31 °C).
- f) Select the fan speed by pressing the Fan Button.

NOTE: During hot days, the unit will cool off the room most efficiently by setting the temperature at the lowest and the fan speed at the highest. Reducing the length of the exhaust duct and insulating the exhaust duct and keeping direct sunlight to a minimum will also improve the cooling efficiency.

2) Dehumidifying Operation

- a) Install the exhaust ducts properly
- b) Plug the Power Cord to the power outlet.
- c) Turn on the unit by pressing the On/Off Button on the control panel.
- d) Press the Mode Button until the "DRY" appears on the LCD display.

NOTE: The unit operates at low fan speed during dehumidifying. The unit cools room slightly during the dehumidification.

Keep the windows and the doors closed to aid the effectiveness of the unit in removing the moisture from the room.

NOTE: The unit will not perform dehumidification when the room temperature is lower than 61 degree.

3) Fan Operation

- a) Plug the Power Cord to the power outlet.
- b) Turn on the unit by pressing the On/Off Button on the control panel.
- c) Press the Mode Button until "FAN" appears on the LCD display.
- d) Select the fan speed by pressing the Fan Speed Button.

NOTE: When the unit is running on fan mode, the exhaust duct is inoperative and is not required.

4) Heating Operation

- a) Plug the Power Cord to the power outlet.
- b) Turn on the unit by pressing the On/Off Button on the control panel.
- c) Press the Mode Button until "HEAT" appears on the LCD display.
- d) Press the Temperature/Time Button \wedge or \vee until the desired room temperature appears on the LCD. The temperature ranges from 61 °F-88 °F (16 °C-31 °C).
- e) Select the fan speed by pressing the Fan Speed Button. It is recommended to use a low fan setting.

NOTE: When the unit is running on heating mode, the exhaust duct is inoperative and is not required.

5) Auto Operation

- a) Install the exhaust ducts properly
- b) Plug the Power Cord to the power outlet.
- c) Turn on the unit by pressing the On/Off Button on the control panel.
- d) Press the Mode Button until the "AUTO" appears on the LCD display.
- e) Select the fan speed by using FAN button.

During the AUTO model, the unit operates at heating mode when the room temperature is below 68 degree. It operates at dehumidifying mode when the room temperature is between 68 to 80 degree. It operates at cooling mode when the room temperature is above 80 degree. You may use the timer with the AUTO mode.

OPERATION USING REMOTE CONTROLLER

The remote controller provided with the unit may operate this portable air conditioner. The remote controller uses two - AAA batteries (provided). Install the batteries before using the remote controller.

REMOTE CONTROLLER

You may use the remote controller to do all the operations. You can only turn on or off the swing operation from the remote controller.

The LTD displays on remote controller either in Celsius or Fahrenheit. Press + and - keys simultaneously to change the display from Celsius to Fahrenheit or vice versa.



MAINTENANCE

Note: Make sure power is off and the plug is pulled out of the power outlet before performing any maintenance activities.

1) Clean or replace filter

If the air filter is blocked with a lot of dust, the airflow volume will reduce. It is recommended to clean the filter once every two weeks or as needed.

- a) Pull up the filter from the filter compartment in the back of the unit.
- b) Wash the air filter by immersing it gently into warm (about 104 F) water with a neutral detergent. Rinse the filter and dry it thoroughly in a shaded place.
- c) Replace the filter back to the filter compartment after it is thoroughly dried.
- a) If the filter is torn or unusable, order a new filter by calling the contact section of this manual.

2) Case

- a. Keep the unit from being exposed directly to the sun for

possible color fading.

b. Clean the surface with a damp cloth. Dry it with a soft towel.

3) Storing the Unit for an Extended Period of Time or Transporting

a) Empty water by unplugging the water drainage stop at the back towards the bottom of the unit

b) Unplug the unit.

c) The unit should be stored in a cool dry place.

TECHNICAL SPECIFICATIONS

MODEL		KY-25	KYd-25	KY-35	KYd-35
COOLING CAPACITY		9000 BTU/H	9000 BTU/H	12,000 BTU/H	12,000 BTU/H
HEATING		1200 W	1200 W	1200 W	1200 W
DEHUMIDIFYING CAPACITY		1.0L/H	1.0L/H	1.2L/H	1.2L/H
POWER	COOLING	980W	980W	1350W	1350W
	HEATING	-	1350W	-	1350W
AIR FLOW VOLUME		300m ³ /h	300m ³ /h	300m ³ /h	300m ³ /h
SOUND PRESSURE LEVEL		49 db	49 db	49 db	49 db
NET WEIGHT		36Kg	37Kg	37Kg	38Kg
DIMENSION S	BODY	450x820x465mm			
	PACKAGE	500x890x585mm			

NOTE:

- 1) The above cooling capacity is measured at ambient temperature of DB 86 F, WB 78 F.
- 2) Noise level is measured at the point where is 3.28 ft away from the front of the unit, in cooling mode.
- 3) Power consumption is measured when fan runs at the highest speed Specifications above are for reference only. Please see the actual data printed on the nameplate.