

PCV-50F FREQUENCY CONVERTER USER' S MANUAL

History

rev1.0	2/1/2003	first edition issued
rev1.1	3/1/2003	consumption current revised
rev1.2	3/1/2004	10M→REF revised

DIGITAL SIGNAL TECHNOLOGY, INC.

1-7-30, Higashi Benzai, Asaka, Saitama, 351-0022, Japan

TEL 81-48-468-6094 FAX 81-48-468-6210

Email : info@dst.co.jp

<http://www.dst.co.jp/en>

1. Functional outline

The PCV-50F is a programmable oscillator that can take out signals of desired frequencies from 1Hz to 50MHz with 0.001Hz resolution by using a 48-bit DDS (direct digital synthesizer). The external reference frequency can be input as desired in a range of 7MHz to 50MHz.

The output frequency can have an accuracy based on the stability of the external reference signal. Frequency settings can be made with serial data and parallel data.

2. Specifications

2-1. Electrical specifications

Power supply voltage	+5V±5%
Consumption current	500mA or less
Output level	CMOS
Output frequency range	0.001Hz - 50MHz
Frequency resolution	1mHz (0.001Hz)
Output waveform duty	50%±5%
Frequency error	0.46µHz or less with respect to external reference
Jitter	±100pS rms or less (cycle-to-cycle jitter value at 5MHz or higher frequency)
Spurious level	40dBc or more (excluding harmonics)
External reference signal frequency	10MHz±5%
External reference signal level	2 - 5Vp-p Duty 50±10%
External reference input impedance	470Ω or more
Frequency control	Parallel input Six signal lines 4-bit BCD input 1-bit digit/data selection 1-bit reference/output frequency data selection 1-bit strobe signal Serial input 9600bps, 8 bits No parity, 1 stop bit
Frequency setting time	Within 250mS (Time between completion of setting of

frequency data and acquisition of the set frequency)

Outer dimensions

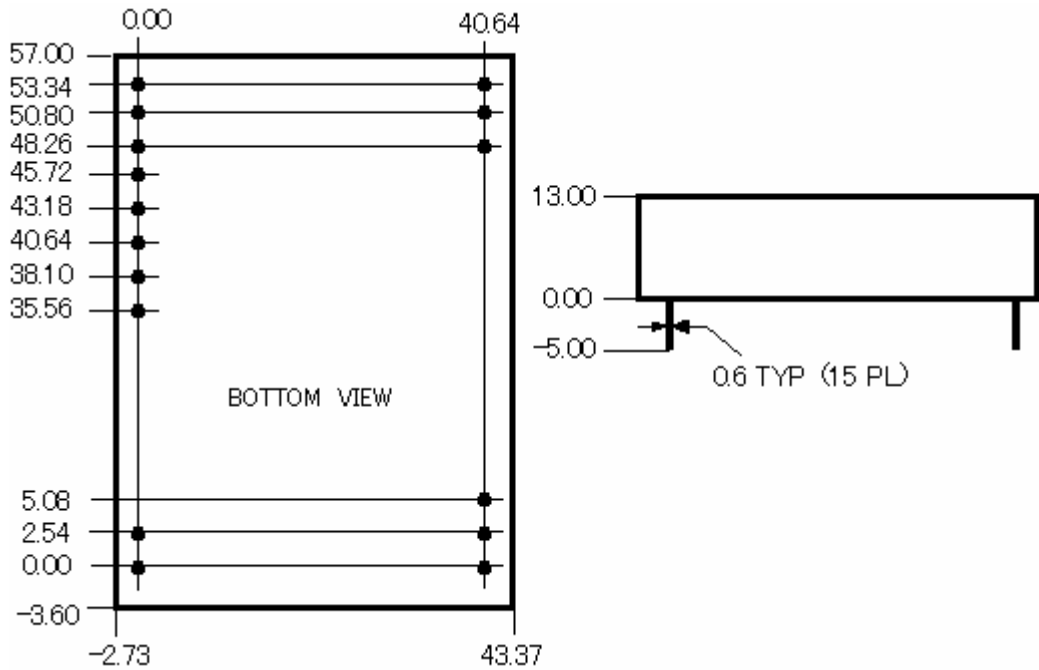
61x46x13 (mm)

2-2. Environmental conditions

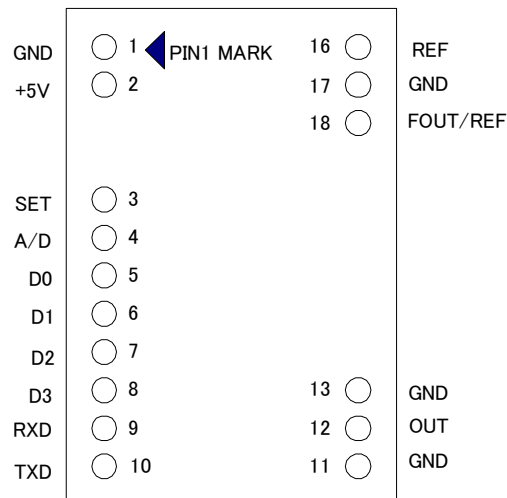
Operating temperature range

0°C - 50°C

3. Outer dimensions



4. Pin assignments



(TOP VIEW)

5. Pin names and descriptions

<u>Pin No.</u>	<u>Name</u>	<u>Description</u>
1	GND	Power supply/signal GND.
2	+5V	Power supply pin, to which +5V±5% should be supplied.
3	SET	Strobe signal for setting with parallel data. As it is pulled up internally, data of A/D and D0 to D3 are read internally by connecting it to GND. Data is loaded on falling edge.
4	A/D	Select digit or numerical value for parallel data D0 to D3. Set digit of 7-digit frequency data you want to change by H (open). Set the numerical value for selected digit by L (short-circuited to GND) It is pulled up internally.
5	D0	Input of frequency data digit or numerical data bit 0 (2 ⁰).
6	D1	Input of frequency data digit or numerical data bit 1 (2 ¹).
7	D2	Input of frequency data digit or numerical data bit 2 (2 ²).
8	D3	Input of frequency data digit or numerical data bit 3 (2 ³).
9	RXD	Asynchronous serial data input pin. Level is TTL-compatible CMOS. When not in use, open it because the input is pulled up.
10	TXD	Asynchronous serial data output pin. Level is TTL-compatible CMOS. When not in use, open it.
11	GND	Power supply/signal GND.
12	OUT	Output terminal.
13	GND	Power supply/signal GND.
14	FOUT/REF	Input pin to select input of output frequency or reference signal frequency data for frequency setting in parallel: H (open) and L (short-circuited to GND) result in selection of output frequency and reference signal frequency, respectively.
15	GND	Power supply/signal GND.
16	REF	Desired external clock input.

Remark: Pin No. 3, 4, 5, 6, 7, 8, 9, and 14 are pulled up by 10KΩ.

6. How to set frequencies with parallel data

Setting data includes reference frequency and output frequency, either of which is determined by the FOUT/REF pin.

6-1. REF frequency setting

The reference signal frequency can be set in units of 1 mHz. Since the maximum frequency of the reference signal is 50MHz, it is necessary to input frequency data at up to 11 digits by the following procedures. In the reference signal setting mode, set FOUT/REF to LOW level (short-circuited to GND). Next, select the digit to input, and then set the frequency data for that digit. Select whether the BCD SW corresponds to digit or frequency data by the A/D input. For example, how to set for inputting 16,000,000Hz is shown below.

- (a) Open S2, set the DIP SW to 0 (digit of 0.001Hz), and push S1 for inputting (short-circuited to GND).
- (b) Close S2 (short-circuited to GND), set the BCD SW to 0 (frequency data at the digit of 0.001Hz), and push S1. Now, frequency data is set at one digit.
- (c) Also, set at the digit of 0.01Hz as in (a) and (b) by setting the BCD SW to 1 (digit of 0.01Hz) and pushing S1 for digit setting.
- (d) In a similar manner, set the frequency data from the digit of 0.1Hz to the digit of 100KHz to 0.
- (e) At the digit of 1MHz, open S2, set the BCD SW to 9, push S1, and then close S2, set the BCD SW to 6, and push S1.
- (f) At the digit of 10MHz, open S1, set the BCD SW to A, push S1, and then close S2, set the BCD SW to 1, and push S1.

(Remark) Since the input buffer of parallel data is initially set to “0” immediately after power-on, “0” data can be omitted. In the above example, (a) to (d) can be omitted.

(Caution) **Keep in mind that if the REF signal of a frequency higher than the set reference frequency is input, the consumption current will increase, and if this state is continued for a long time, the device may be damaged.**

6-2. Output frequency setting

The output frequency can also be set in units of 1 mHz. Since the maximum frequency of the output is 50MHz, it is necessary to input frequency data at up to 11 digits by the

following procedures. In the output frequency setting mode, set FOUT/REF to HIGH level (open). Next, select the digit to input, and then set the frequency data for that digit. Select whether the BCD SW corresponds to digit or frequency data by the A/D input. For example, the method of setting for inputting 43,000,000Hz is shown below.

- (a) Open S2, set the DIP SW to 0 (digit of 0.001Hz), and push S1 for inputting (short-circuit to GND).
- (b) Close S2 (short-circuited to GND), set the BCD SW to 0 (frequency data at the digit of 0.001Hz), and push S1. Now, frequency data is set at one digit.
- (c) Also, set at the digit of 0.01Hz as in (a) and (b) by setting the BCD SW to 1 (digit of 0.01Hz) and pushing S1 for digit setting.
- (d) In a similar manner, set the frequency data from the digit of 0.1Hz to the digit of 100KHz to 0.
- (e) At the digit of 1MHz, open S2, set the BCD SW to 9, push S1, and then close S2, set the BCD SW to 3, and push S1.
- (f) At the digit of 10MHz, open S1, set the BCD SW to A, push S1, and then close S2, set the BCD SW to 4, and push S1.

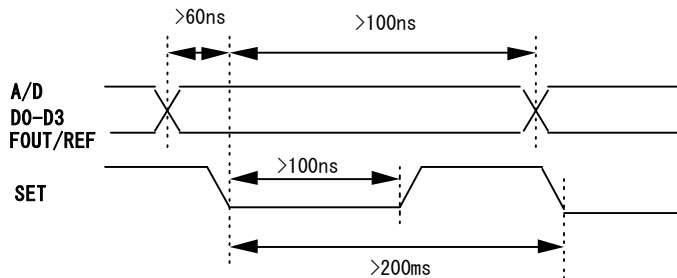
6-3. How to save frequency by parallel data

For saving the set frequency in the built-in EEPROM semipermanently, open S2, set the BCD SW to E (10), and push S1.

6-4. Caution for setting data consecutively

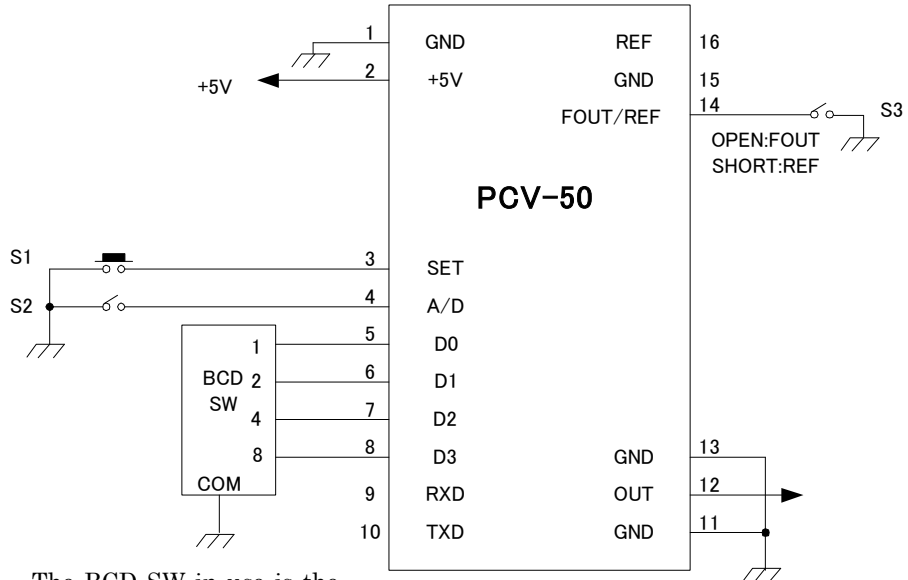
Since the PC performs frequency setting processing immediately after setting of frequency data, if settings are made continuously, this processing will not be performed in time. If you set one frequency, set a new frequency after a lapse of 200mS or more.

(See the timing chart shown below.)



Parallel data timing chart

Example of parallel data setting circuit



The BCD SW in use is the complementary type.

Function table					
A/D	D3	D2	D1	D0	Function
L	L	L	L	L	Frequency data 0
L	L	L	L	H	Frequency data 1
L	L	L	H	L	Frequency data 2
L	L	L	H	H	Frequency data 3
L	L	H	L	L	Frequency data 4
L	L	H	L	H	Frequency data 5
L	L	H	H	L	Frequency data 6
L	L	H	H	H	Frequency data 7
L	H	L	L	L	Frequency data 8
L	H	L	L	H	Frequency data 9
H	L	L	L	L	0.001Hz digit setting
H	L	L	L	H	0.01Hz digit setting
H	L	L	H	L	0.1Hz digit setting
H	L	L	H	H	1Hz digit setting
H	L	H	L	L	10Hz digit setting
H	L	H	L	H	100Hz digit setting
H	L	H	H	L	1KHz digit setting
H	L	H	H	H	10KHz digit setting
H	H	L	L	L	100KHz digit setting
H	H	L	L	H	1MHz digit setting
H	H	L	H	L	10MHz digit setting
H	H	H	H	L	Frequency saving

H: Open L: Short-circuited to GND

The input data of D0 to D3 and A/D are loaded on the falling edge of SET.

For output frequency setting, set FOUT/REF to H (open), and for reference signal frequency setting, set it to LOW (short-circuited to GND).

7. Setting with serial data

7-1. Setting procedures

At power-on, the following message appears.

PCV50 FREQUENCY CONVERTER VX.X

*

When the prompt “*” is returned from the PCV50F, frequency data can be input. If data is input properly, the prompt “*” is returned, and the input frequency is output.

If the input frequency is invalid, “INVALID DATA” is returned.

For setting the frequency consecutively, transmit frequency data, and confirm that the prompt “*” is returned, and then input next frequency data.

The frequency can be input in MHz, KHz, Hz, or mHz (0.001Hz) together with a decimal point.

For inputting the reference frequency, prepend the letter “R” to the frequency data.

The following table shows an example of data for setting the reference frequency to 10.25MHz.

R	1	0	.	2	5	M	CR
52 hex	31 hex	30 hex	2E hex	32 hex	35 hex	4D hex	0D hex

The following table shows an example setting of the output frequency. The data for setting an output frequency of 12.345678012MHz in MHz is shown below.

1	2	.	3	4	5	6	7	8	9	0	1	2	M	CR
31 hex	32 hex	2E hex	33 hex	34 hex	35 hex	36 hex	37 hex	38 hex	39 hex	30 hex	31 hex	32 hex	4D hex	0D hex

The data for inputting the above frequency in mH is shown below.

1	2	3	4	5	6	7	8	9	0	1	2	m	CR
31 hex	32 hex	33 hex	34 hex	35 hex	36 hex	37 hex	38 hex	39 hex	30 hex	31 hex	32 hex	6D hex	0D hex

7-2. How to save frequency by serial data

For saving the set frequency in the built-in EEPROM, transmit the “SAVE” command as shown below.

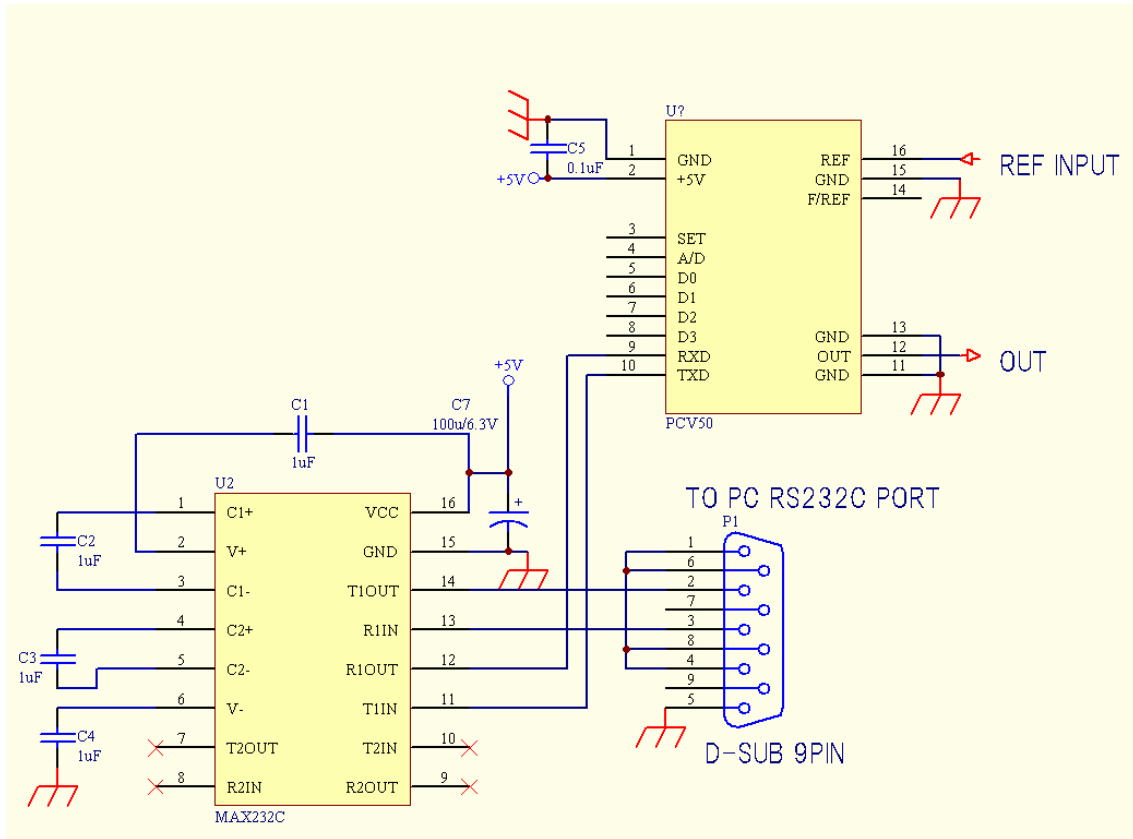
If it is written properly, the message “EEPROM SAVED!” is returned.

S	A	V	E	CR
53 hex	41 hex	56 hex	45 hex	0D hex

7-3. Level converter with RS-232C

Since the level of PCV50F serial data is CMOS, such a level converter as shown below is required for use in connection with a PC serial port.

Example of serial data setting circuit



7-4. Caution for setting reference frequency

In setting the reference frequency, if a frequency higher than the set reference frequency is added as the REF signal, the consumption current will increase significantly depending on the set value.

If this state is left for a long time, the device may be damaged.

Use the REF frequency and set value as properly adjusted.

8. Shipping inspection

8-1. Electrical inspection

100% inspection shall be performed for the electrical specifications in 2-1.

8-2. Appearance inspection

Inspection shall be performed for contamination and bends in pins.

9. Other

- 9-1. In the event of any doubt arising about these specifications, discussion and resolution shall be made by arrangement.
- 9-2. This product, which employs a CMOS device, may be easily damaged by static electricity.
- 9-3. Keep in mind that immersion cleaning is not allowed.
- 9-4. Special damp proof control is not necessary.

10. Warranty

If any defect is found due to the manufacturer's improper production or design within one year after delivery, repair or replacement shall be performed at the manufacturer's responsibility.

- Descriptions in this manual are subject to change without notice.
- No part of this manual may be reproduced without our permission.
- We shall assume no liability for any user damage as a result of an accident, etc.
- Descriptions in this manual shall not guarantee the practice of industrial property and other rights or grant a license for them.
- We shall assume no liability for any third party's industrial property rights attributable to the use of circuits, etc., described in this manual.

Digital Signal Technology, Inc.