

INSTALLATION INSTRUCTIONS FOR INSTALLING DOUBLE DOOR SCREEN FACE KITS FOR USE WITH DESIGNER AND RAVENNA GAS FIREPLACE INSERTS

ELITE™ SERIES

KIT CONTENTS (See *Figure 1*):

- 1 ea. Black Screen Face Assembly
- 1 ea. Instruction Sheet



TOOLS NEEDED:

None

Cat. No.	Model	Description
75028	SCREEN-DBV-RDV	Screen Face/Double Door/Black

GENERAL INFORMATION

If you encounter any problems, need clarification of these instructions or are not qualified to properly install this kit, contact your local distributor or dealer.

Read this instruction sheet in its entirety before beginning the installation.

All of these parts may scratch and bend, great care should be used in handling them.

ALL WARNINGS AND PRECAUTIONS IN THE INSTALLATION AND OPERATION MANUAL PROVIDED WITH THE APPLIANCE APPLY TO THESE INSTRUCTIONS.

TURN OFF THE APPLIANCE AND ALLOW IT TO COMPLETELY COOL BEFORE PROCEEDING.

INSTALLATION INSTRUCTIONS

The four hanging brackets are pre-mounted onto the back of the screen face. To install the screen face on the Designer or Ravenna gas insert, align the four hanging brackets with their corresponding mounting brackets, located on the left and right side of the insert. Set the hanging brackets onto the mounting brackets and slide the face down until the brackets are fully seated (see *Figure 1*).

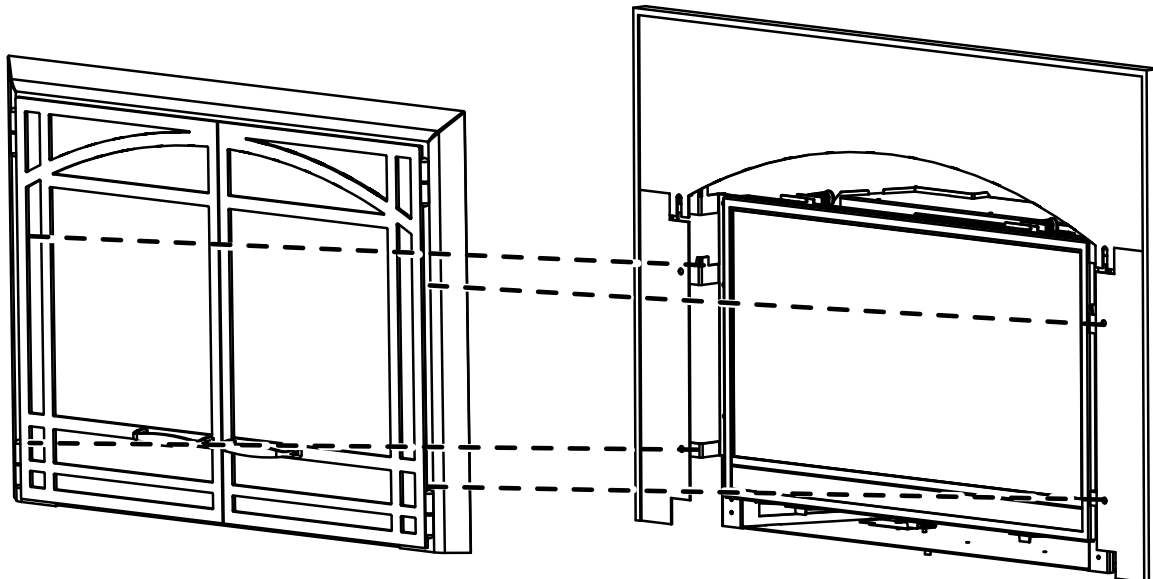


Figure 1

NOTE: DIAGRAMS & ILLUSTRATIONS ARE NOT TO SCALE.

Lennox Hearth Products reserves the right to make changes at any time, without notice, in design, materials, specifications, prices and also to discontinue colors, styles and products. Consult your local distributor for fireplace code information.