



LENNOX HEARTH PRODUCTS

HEARTH PRODUCTS KITS AND ACCESSORIES

750,164M
REV. A 12/2008

CAST IRON FACADE KITS

INSTALLATION INSTRUCTIONS FOR CAST IRON FACADE KITS Model Numbers LSS-CA35 (H0378) and LSS-CA40 (H0398) FOR USE WITH SPECTRA LSS SERIES GAS FIREPLACES

GENERAL INFORMATION

These cast iron facade kits are designed to be used in conjunction with the grillwork kits. Together, when installed, these kits complete the front aspect of the Spectra LSS series gas fireplaces. The kits contain one of each of the following cast iron facade pieces: bottom, top, left and right piece. They also contain four 1/2 inch long 1/4-20 facade holding screws, six 1-1/2 inch long 1/4-20 facade holding screws and these instructions.

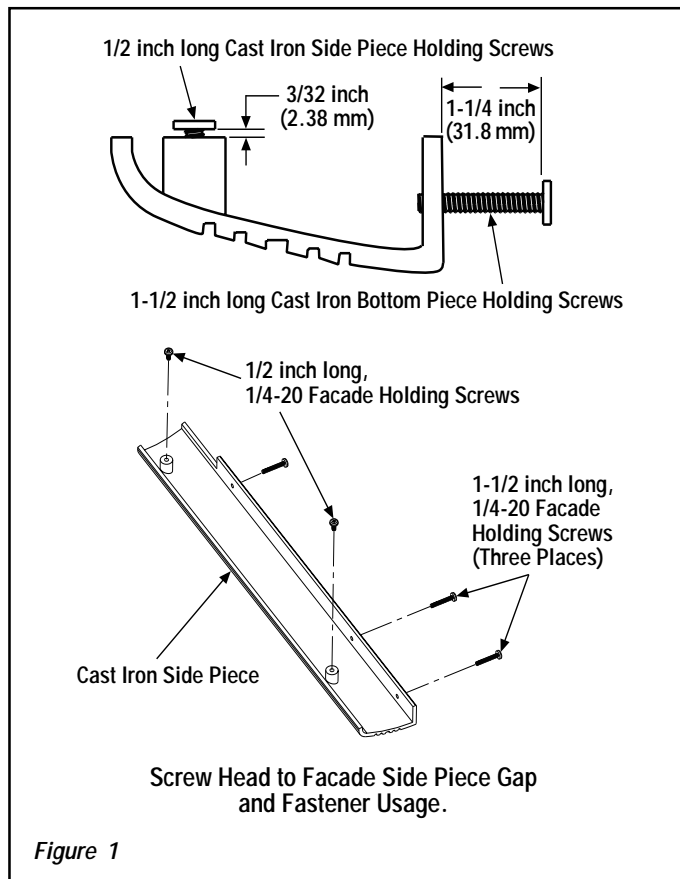


Figure 1

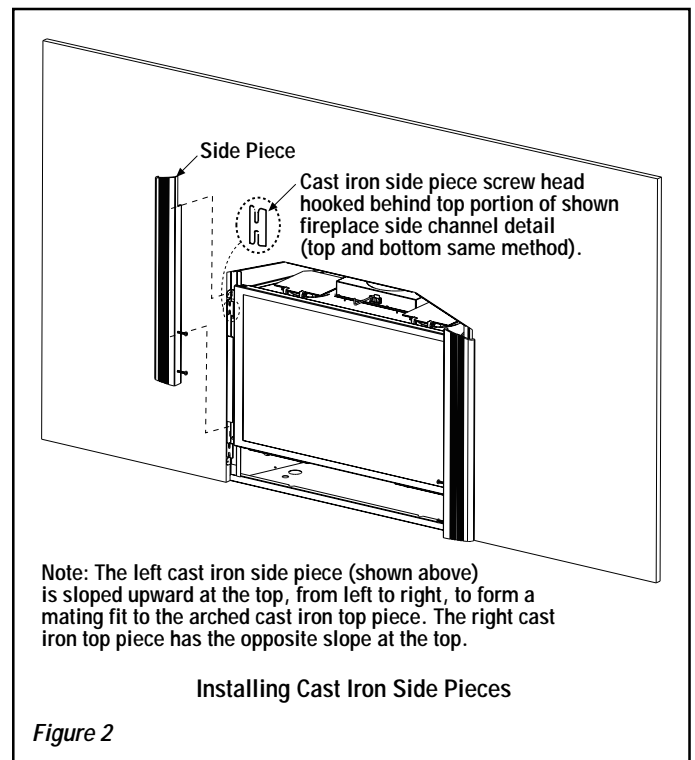
INSTALLATION INSTRUCTIONS

Step 1. Install the top and bottom grills to their corresponding top and bottom cast iron facade pieces as detailed in the installation instructions provided with the grillwork kits.

Step 2. Install five (kit-provided) facade holding screws to each of the two side pieces ensuring compliance with the gaps shown in *Figure 1*.

Step 3. Hook the two cast iron side pieces onto the fireplace side channels as shown in *Figure 2*. If the fit is too tight or loose, adjust the gap of the two holding screws. (See *Figure 1*.)

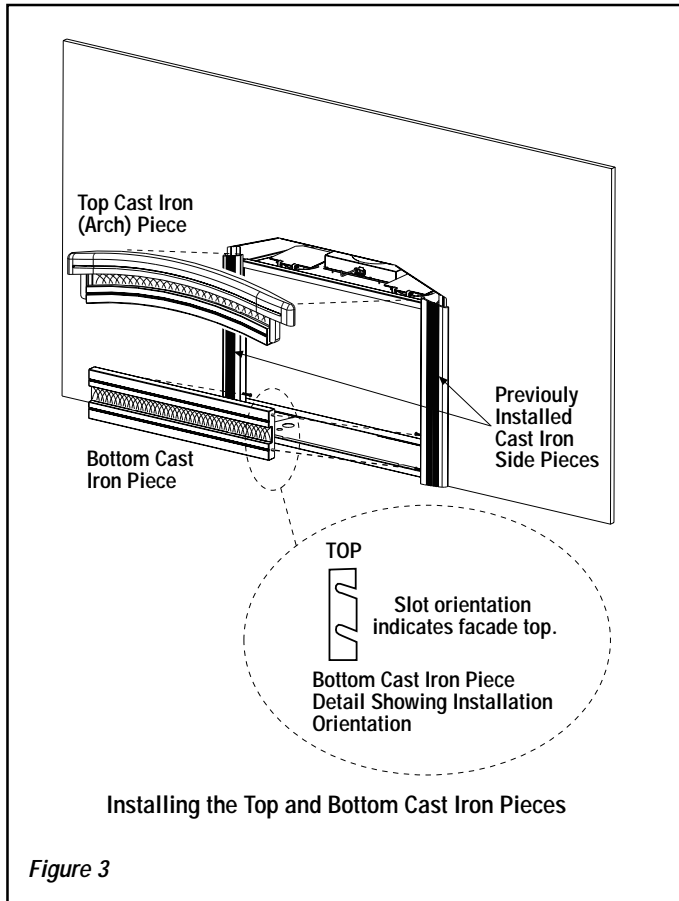
Step 4. Insert set screws into the bottom corners of the arch. Set screws should be flush with the front of the mounting bosses (refer to *Figure 4*).



Installing Cast Iron Side Pieces

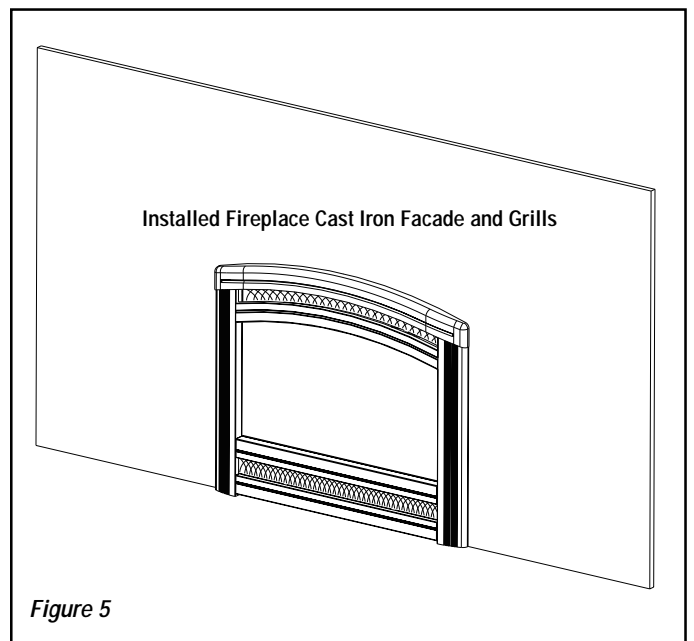
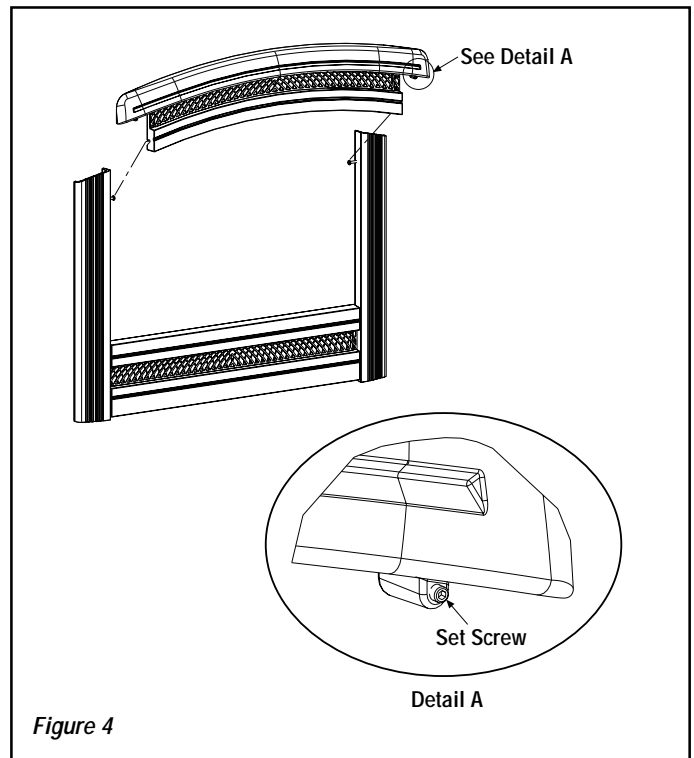
Figure 2

Step 5. Slide the top cast iron piece (arched piece) as shown in **Figure 3** on to the two (2) holding screws protruding from the two cast iron side pieces.



Step 6. Adjustment of the set screws on the bottom corners of the arch can be used to tighten the fit between the sides, the arch and the wall (see **Figure 4**). To adjust the set screw, it will be necessary to remove the top arch. Make adjustments in small increments until the desired fit has been achieved.

Step 7. Hook the bottom cast iron piece (with the top, up, as shown in **Figure 3**) to the 4 holding screws protruding from the two cast iron side pieces as shown in **Figure 3**. See **Figure 5** for the final appearance of the installed cast iron facade.



NOTE: DIAGRAMS & ILLUSTRATIONS NOT TO SCALE.

Lennox Hearth Products reserves the right to make changes at any time, without notice, in design, materials, specifications, prices and also to discontinue colors, styles and products. Consult your local distributor for fireplace code information.