

RF Single color & CTT & RGB wall mount/ stick controller

SR-2805ST



- 3M glue stick on the wall or Screw mounted on the wall
- Work with corresponding receivers to control single color, CCT or RGB LED lighting.
- Push button on the receivers.



Feature

SR-2805ST is a RF wall sticks/ mounted controller for single color, CCT or RGB LED lighting. Each white can achieve 256 levels brightness adjustment. Key part can be uninstalled every easily to change battery and frames from other factory.

Parameter

Remote

Part No.	Operation Voltage	Operation Frequency	Remarks
SR-2805ST	3VDC	434MHz/868MHz	RF Wireless

Receiver for single color

Part No.	Input Voltage	Output Current	Output Power	Remarks
SR-2501N	12-36VDC	4x5A	4x(60-180)W	Constant voltage
SR-2501NEA	12-36VDC	4x8A	4x(96-288)W	Constant voltage
SR-2502N	12-36VDC	4x350mA	4x(4.2-12.6)W	Constant current
SR-2503N	12-36VDC	4x700mA	4x(8.4-25.2)W	Constant current
SR-2501NS	12-36VDC	1x8A	1x(96-288)W	Constant voltage
SR-2502NS	12-36VDC	1x350mA	1x(4.2-12.6)W	Constant current
SR-2503NS	12-36VDC	1x700mA	1x(8.4-25.2)W	Constant current

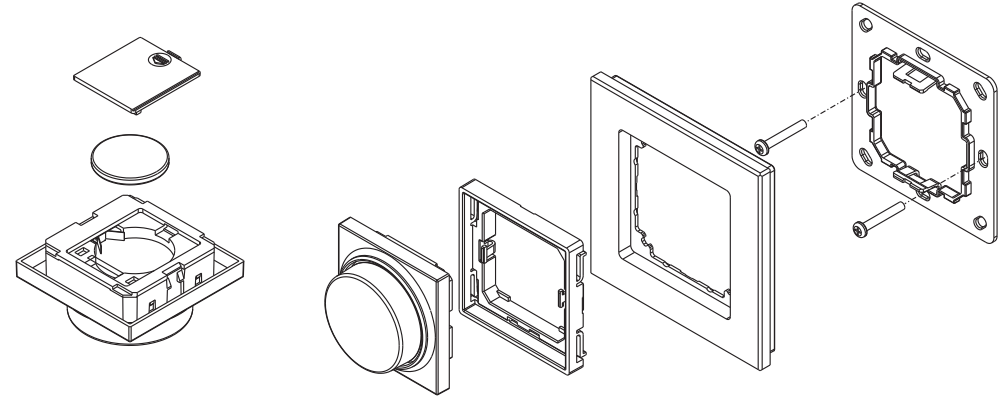
Receiver for CCT

Part No.	Input Voltage	Output Current	Output Power	Remarks
SR-2501M	12-36VDC	4x5A	4x(60-180)W	Constant voltage
SR-2501MEA	12-36VDC	4x8A	4x(96-288)W	Constant voltage
SR-2502M	12-36VDC	4x350mA	4x(4.2-12.6)W	Constant current
SR-2503M	12-36VDC	4x700mA	4x(8.4-25.2)W	Constant current

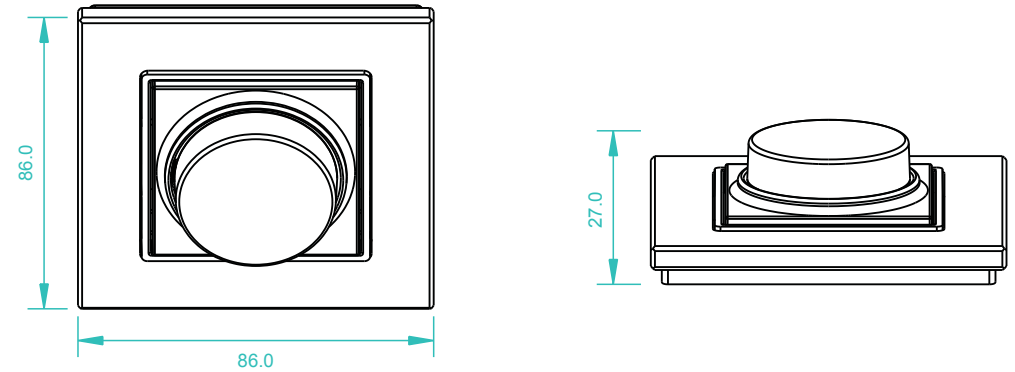
Receiver for RGB

Part No.	Input Voltage	Output Current	Output Power	Remarks
SR-2501RGB	12-36VDC	3x5A	3x(60-180)W	Constant voltage
SR-2501RGBEA	12-36VDC	3x8A	3x(96-288)W	Constant voltage
SR-2502RGB	12-36VDC	3x350mA	3x(4.2-12.6)W	Constant current
SR-2503RGB	12-36VDC	3x700mA	3x(8.4-25.2)W	Constant current

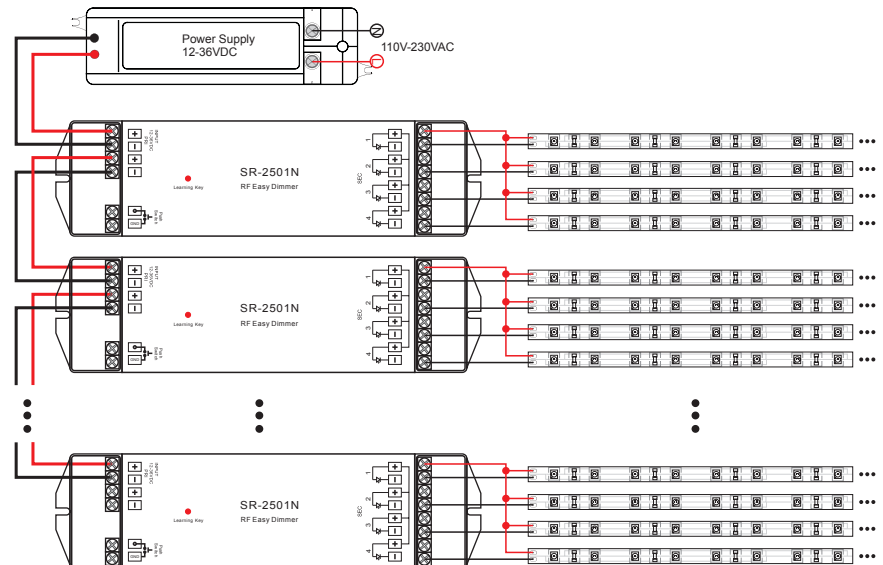
Installation



Product Size



Wiring diagram



Mounting

The key part of this controller is a universal, extremely rotary standard switch element that can be integrated in numerous frames by different manufactures as below list:

BEKER	S1, B1, B3, B7 glass
GIRA	Standard55, E2, Event, Esprit
JUNG	A500, Aplus
MERTEN	M-smart, M-Arc, M-Plan

Operation

a. Learning

Press shortly the learning Key ● on the receiver, then push the rotary button .Once successfully learn, the LED lights will blink on the receiver. Do the same for the other receivers if you use them, you can add as many optional receivers as you want.

b. Single color operation

- Short push rotary button to switch ON/OFF
- Adjust dim brightness by the rotary button from left to right 1-100%
- Adjust dim brightness by the rotary button from right to left 100-1%

c. CCT operation

- Short push rotary button to switch ON/OFF
- Adjust dim brightness by the rotary button from left to right 1-100%
- Adjust dim brightness by the rotary button from right to left 100-1%
- Long press rotary button, the light will be 100% brightness
- Double click rotary button, it will enter into dimming color temperature mode, dim WW and CW associatively , for example if WW is 70%, CW is 30% .Double click again, will enter into dimming brightness mode.

d. RGB operation

- Short push rotary button to switch ON/OFF
- Adjust dim brightness by the rotary button from left to right 1-100%
- Adjust dim brightness by the rotary button from right to left 100-1%
- Long press rotary button, the light will be 100% brightness
- Double click rotary button, it will change color of RGB light. Double click again, will enter into dimming brightness mode

Safety & Warnings

- 1) The product shall be installed and serviced by a qualified person.
- 2) IP20. Please avoid the sun and rain. When installed outdoors, please ensure it is mounted in a water proof enclosure.
- 3) Always be sure to mount this unit in an area with proper ventilation to avoid overheating.
- 4) Please check if the output voltage of any LED power supplies used comply with the working voltage of the product.
- 5) Never connect any cables while power is on and always assure correct connections to avoid short circuits before switching on.
- 6) Please ensure that the cable is secured tightly in the connector
- 7) For update information please consult your supplier.

Warranty Agreement

- 1) We provide lifelong technical assistance with this product:

- 3-year warranty. We print date on every products, for example :1125 means year 2011, week 25. The warranty is for free repair or replacement and covers manufacturing faults only.

- For faults beyond the 3-year warranty we reserve the right to charge for time and parts.

- 2) Limited Warranty

- Any defects caused by wrong operation.

- Any damages caused by unauthorized removal, maintenance, modifying, incorrect connection and replacement of chips.

- Any damages due to transportation, vibration etc. after purchase.

- Any damages caused by earthquake, fire, lightning, pollution and abnormal voltage.

- Any damages caused by negligence, inappropriate storing at high temperatures and humidity or near harmful chemicals.

- Product has been updated

3) Repair or replacement as provided under this warranty is the exclusive remedy to the customer.