

iMS-1 Music Stand Clip for Apple iPad

Talent 5 Year Warranty

Talent is dedicated to providing their customers with quality product. As such, all Talent products are warranted free from defects in material and workmanship for a period of Five Years from the date of purchase. Warranty registration is not required, but purchasers are asked to retain their receipt as proof of purchase. Warranty does not apply to misuse, abuse, neglect, accident, improper use, etc. For complete customer satisfaction, Talent resellers are asked to act as agents for the purpose of handling warranty claims. Please return your Talent product to your place of purchase prepaid. Many Talent resellers require a return authorization (also known as an RA or RMA). Please contact your Talent reseller for more details.



User Manual

Introduction

Talent's iMS-1 Music Stand Clip is a versatile mount for iPads. Constructed using durable ABS material and featuring molded claws (two sets: one set for the iPad 1 and one set for the iPad 2/3), this mount will securely hold your iPad in place on a music stand or desk (up to an inch thick) without leaving scratches.

Adjustability is the hallmark of the iMS-1. Most iPad mounting systems only allow for slight adjustments and force you to use your iPad as the manufacturer saw fit. The iMS-1 allows for $\pm 5^\circ$ of final adjustment tilt in any direction, rotates 360°, and places your iPad on a 6.3" long aluminum telescopic pole that enables a shallow or extended profile and unlimited tilt in any direction.

Last, but not least, the clamp-on assembly is removable so that you can mount your iPad directly to a microphone stand using the 5/8"-27 TPI socket, while still retaining the $\pm 5^\circ$ of final adjustment tilt in any direction and 360° rotate-ability.

Contents

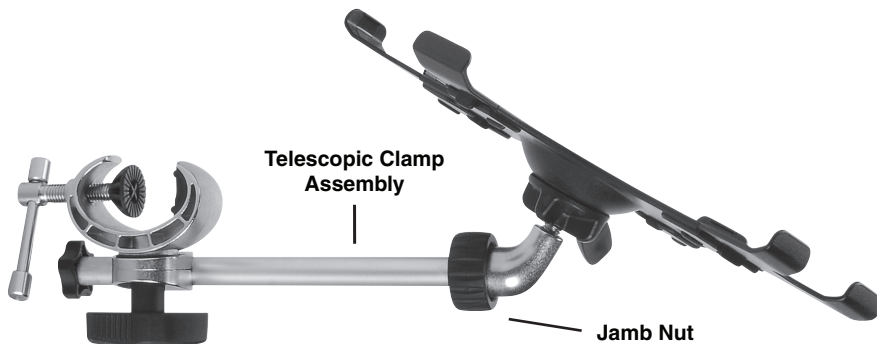
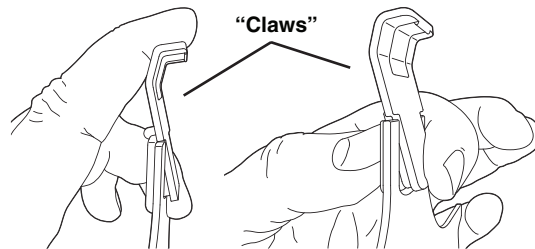
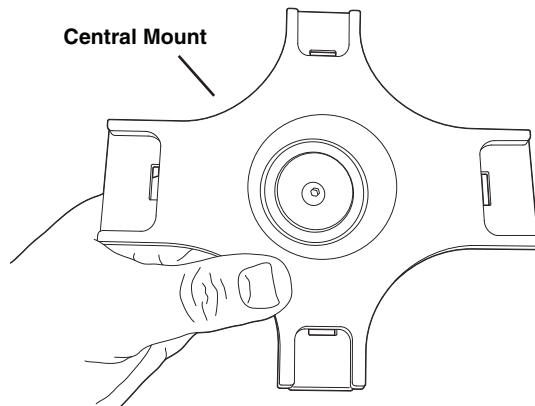
- 1 Central Mount
- 1 Telescopic Clamp Assembly
- 1 Set "Claws" for iPad 1
- 1 Set "Claws" for iPad 2/3

Assembly

1) Select the "Claws" you will use from the three bags in the package; for iPad 1 or iPad 2/3.

2) Holding the Central Mount, clip the "claws" into place like shown. Place a claw onto the top edge of the mount then squeeze to lock into place.

3) Loosen the jamb nut and thread the Telescopic Clamp Assembly onto the Central Mount as shown below. The Clamp Assembly does not need to turn until it "bottoms out". Twist the Clamp Assembly about three times and then secure tightly with the Jamb Nut.



4) Use the "C" clamp to mount the iMS-1 to a mic stand, desk, headrest, or any surface up to 1 in. thick.



Operation

1) Use the "T" nut to tighten the "C" clamp to the mic stand, etc.

2) Use the Wing Nut to adjust the placement of the "C" clamp on the aluminum rod.

3) Use the back lever assembly to adjust rotation (up to 360 degrees) and tilt (± 5 degrees) of the iPad.

4) Remove the telescopic clamp assembly to connect the iMS-1 directly to a mic stand.

