

The Original Dash Cam™

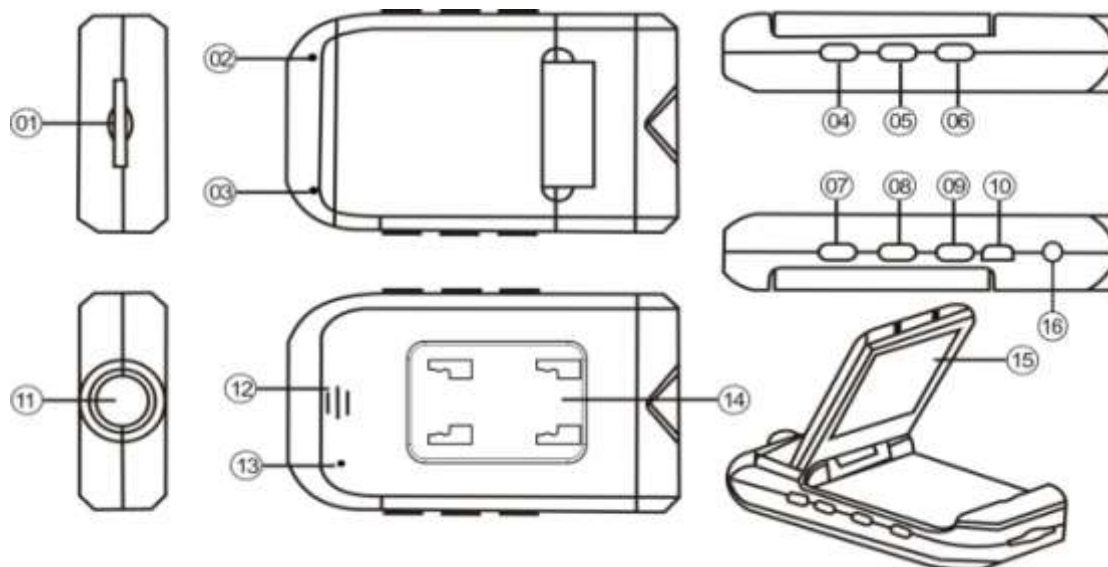
4SK98.1 by 4Sight

User Manual

Thank you for choosing The Original Dash Cam™.

This manual offers detailed information on how to operate the device correctly including: how to work the device, matters that need attention and technical specifications. Please read carefully before use.

Function introduction:



- | | |
|------------------------------------|---|
| 1. Memory Card slot | 9. MODE switch modes button (recording/photo/preview) |
| 2. Indicator light | 10.USB Interface |
| 3. Microphone | 11. Lens |
| 4. REC/SNAP: Confirm/Select button | 12. Speaker |
| 5. MENU | 13. RESET |
| 6. POWER: Day/Night Mode | 14. Bracket slides |
| 7. DOWN: Flip Screen | (must use firm pressure) |
| 8. UP: Flip Screen | 15. 2.5 inch LCD screen |
| | 16. AV OUT: AV output interface |

Note: The POWER button doubles as the day/night mode button. One quick press of the POWER button changes the camera from day to night mode and activates the device's LEDs. To power off the device, long press (for 3 seconds) the power button.

Note: The UP and DOWN buttons double as the device's "Flip Screen" function. When mounting the camera on your dashboard as opposed to the windshield, press the UP button to flip the screen and keep your recording right side up. When you want to switch back to recording mounted from your windshield, use the DOWN button to flip the screen back to normal.

Note: Pressing the MENU button while recording will shut off the Dash Cam's display screen, while continuing to record. This will allow you to save battery power. Press the menu button again to turn the display screen back on.

Included with your Original Dash Cam™

- Dash Cam
- User manual
- Windshield mounting bracket
- USB Cable
- AV line
- Car charger (with 12 v / 24V to 5V voltage converter)
- Flash Memory Card

Recommended Recording Angle



When setting up your Dash Cam to record, it is recommended that you set it up at approximately a 15° downward angle. This will help reduce glare on the camera's lens.

Operating Your Device:

1.) Charge mode:

A) Using the built-in rechargeable lithium battery

Charging options: 1) connect it to the car charger; 2) connect it to your computer with the USB line

- When first connecting to the computer with the USB line, the unit powers on and displays a computer with the USB symbol displayed on screen.
 - To indicate the unit is charging, the indicator light on the bottom of the unit displays a blue and red light (combines to purple)
 - When the unit is fully charged, the light changes to display only the

solid blue light, the red light will not be lit up

- (Note: While connected to your computer via the USB cable, do not press buttons on the camera)
- When charging through the car charger, in the 'battery' display icon on the top left of the screen, a charging lightning bolt will appear, indicating the device is charging.
 - (Note: For first charge a minimum of 6 hours is recommended)

B) Connected device to the car charger

After starting the car, the device automatically turns on and enters video mode, and will begin to record. The device will continue recording while charging. When the car is turned off, the device keeps working and will turn off five seconds later, saving the recorded files automatically (if your car's 12V outlet stays active when the car is turned off, it is recommended to unplug your Dash Cam before leaving your car). Alternatively you can choose to turn the camera off using the POWER button; the files will be automatically saved.

2.) Function introduction

This device has three Modes: video, photo and preview

To switch between modes, simply press the MODE button

A) *Video mode: (Memory card must be inserted)*

After pressing and holding the power button or connecting to the car charger, the device turns on and enters video mode automatically. It will automatically begin to record. To stop recording you can press the REC/SNAP button, or turn off the device by pressing the POWER button. Both ways the files will be automatically saved to the memory card.

B) *Photo mode: (Memory card must be inserted)*

After the device is powered on, press the MODE button to switch into Photo mode. To take a picture, simply press the REC/SNAP button. A photo will be taken and stored on the memory card.

C) *Preview mode:*

After the device is powered on, press the MODE button twice to enter into Preview mode. You can scroll through previews by pressing the UP and DOWN buttons. The

REC/SNAP button is used as the “play/pause” button for video previews. Press it once to play a preview, press it again to pause the preview.

D) Delete function:

Enter preview mode. Press the MENU button to open the menu. Be sure the “Delete” option is highlighted (use the UP and DOWN buttons if not highlighted). Press the REC/SNAP button to choose the highlighted option (in this case the Delete option). Use the UP or DOWN button to highlight “execute”. Press the REC/SNAP button and it will delete the file that was on screen when entering the menu. (Caution: when selecting the delete file option, the file that was open when entering the menu is deleted)

3.) Settings Menu functions:

After the device is powered on, stop recording by pressing the REC/SNAP button then press the MENU button to enter the settings interface. Use the UP and DOWN buttons to scroll through this interface. To choose the highlighted option, press the REC/SNAP button. Use the UP and DOWN buttons to highlight your desired setting and press the REC/SNAP button to assign this setting to the device. Press the MENU button twice to exit the menu screen.

Video Output Menu:

- 1) Resolution: 720p (1280 x 720 HD); VGA (640 x 480)
- 2) Time Stamp: Off / On
- 3) Motion detection: On / Off

While the device is powered on, and motion detection is set to “on” the motion detection system will cause the Dash Cam to automatically record for 1 minute when it senses motion.

- 4) Video time (retro looping): Off / 1 min / 3 min / 5 min / 10 min
- 5) Voice record: On / Off

Capture Menu:

From video mode, press the ‘mode’ button to switch into still photo mode then press the menu button to enter the ‘capture’ menu

- 1) Size: 3M / 2M / 1.3M/ VGA

Playback Menu

From video mode, press the 'mode' button twice to enter playback mode, then press the 'menu' button to enter the 'playback menu'

- 1) Delete: Cancel / Execute
- 2) Lock/Unlock: Lock One / Lock All / Unlock One / Unlock All
 - i. When 'Lock One' is selected, the file that was on screen when entering the menu becomes locked and unable to be deleted
 - ii. When a file is locked and you wish to unlock and delete it, simply browse to the desired file on screen, enter the Lock/Unlock menu and select 'Unlock One' – the file onscreen will be unlocked and can now be deleted.
- 3) Thumbnail: Cancel/Execute
 - i. Selecting 'Execute' in this option allows you to view your stored files in a thumbnail view and to navigate to a specific file.
 - ii. Use the 'UP' and 'DOWN' buttons to navigate to your desired file.

To enter the "Setup Menu," simply press the 'MENU' button from any of the previous menus.

Setup Menu:

- 1) Format: Cancel / Execute
- 2) Language: English / French / German / Italian / Spanish / Portuguese / Simplified Chinese / Traditional Chinese / Japanese / Russian / Korean
- 3) Auto Off: Off/1/3/5 min
- 4) System Reset: Cancel / Execute (Device will return to factory settings)
- 5) Light Freq.: 60Hz; 50Hz
Choose 60Hz for North America
- 6) TV Output: NTSC; PAL
Choose NTSC for North America and PAL for all else.
- 7) Date Input: To set the date and time, highlight Date Input and press the REC/SNAP button. Use the UP and DOWN buttons to select the proper date and press the REC/SNAP button to move on to the month, year, and time. When the date and time are correct, press the REC/SNAP button one more time to apply these settings.
- 8) USB: PC Cam (Not applicable); Disk Drive (Default)

WARNING

THIS DEVICE SHOULD NOT BE ADJUSTED BY THE DRIVER WHILE DRIVING. IN THE EVENT OF AN ACCIDENT, DEVICE MAY DISLodge AND BECOME UNSAFE FOR PASSENGERS.

Notice

- 1) Please insert memory card before recording
- 2) The Original Dash Cam supports memory cards up to 32GB
- 3) Please attach unit by applying firm pressure to mount before mounting on surface.
- 4) Retro loop (video time) is one option under the video output menu. This function allows the camera to keep filming even after memory full. When retro looping is activated, old files will be overwritten one by one. In order to prevent all videos being deleted at once, there are optional retro looping times under the “video time” settings.
- 5) When the lithium battery is depleted, the Dash Cam™ screen shows “Batteries depleted.” The camera will shut down automatically after 20 seconds and save the files automatically.
- 6) If you need to reset the Dash Cam™, press the RESET button for 3 seconds.
- 7) If device is displaying in another language, follow these steps:
 - a.) Power on device
 - b.) Press the Rec/Snap button to stop recording
 - c.) Press the “Menu” button (device enters “Video output” menu)
 - d.) Press the “Menu” button again (device enters “Setup” menu)
 - e.) Press the “Down” button once and then press the “Rec/Snap” button this brings you to the “language menu”
 - f.) Use the “Up” or “Down” buttons until your desired language is highlighted.
 - g.) Once your desired language is highlighted press “Rec/Snap” to set the unit to the highlighted language.
- 8) For a larger manual size, please visit www.GetDashCam.com to download and print
- 9) We are continually making improvements to our instruction manuals, the most up to date version will always be posted on www.GetDashCam.com

Operational Tip:

If your Dash Cam™ is not working properly, please follow the below step: Slightly press the RESET hole with a pin to have the unit restart and it should resume functioning properly.

FCC STATEMENT

FCC declaration of conformity

Responsible party:

4Sight, LLC

12285 Colony Ave.

Chino, CA 91710

(714) 988-5838 Fax: (714) 285-5828

This device complies with Part 15 of the FCC Rules. Operation is subject to the following two conditions:

- (1) This device may not cause harmful interference, and
- (2) This device must accept any interference received, including interference that may cause undesired operation.

Note:

This equipment has been tested and found to comply with the limits for Class B digital devices, pursuant to Part 15 of the FCC rules. These limits are designed to provide reasonable protection against harmful interference in a residential installation. This equipment generates, uses and can radiate radio frequency energy and, if not installed and used in accordance with the instructions, may cause harmful interference to radio communications. However, there is no guarantee that interference will not occur in a particular installation. If this equipment does cause harmful interference to radio or television reception, which can be determined by turning the equipment off and on, the user is encouraged to try to correct the interference by one or more of the following measures:

- Reorient or relocate the receiving antenna
- Increase the separation between the equipment and receiver
- Connect the equipment into an outlet on a circuit different from that to which the receiver is connected
- Consult the dealer or an experienced radio/TV technician for help²

Use of shielded cable is required to comply with Class B limits in Subpart B of Part 15 of the FCC rules.

Do not make any changes or modifications to the equipment unless otherwise

specified in the manual. If such changes or modifications should be made, you could be required to stop operation of the equipment.

Canada

Industry Canada (IC)

Unintentional emitter per ICES-003/NMB-003

This digital apparatus does not exceed the Class B limits for radio noise emissions from digital apparatus as set out in the radio interference regulations of Industry Canada.

Le présent appareil numérique n'émet pas de bruits radioélectriques dépassant les limites applicables aux appareils numériques de Classe B prescrites dans le règlement sur le brouillage radioélectrique édicté par Industrie Canada.