

The Tube



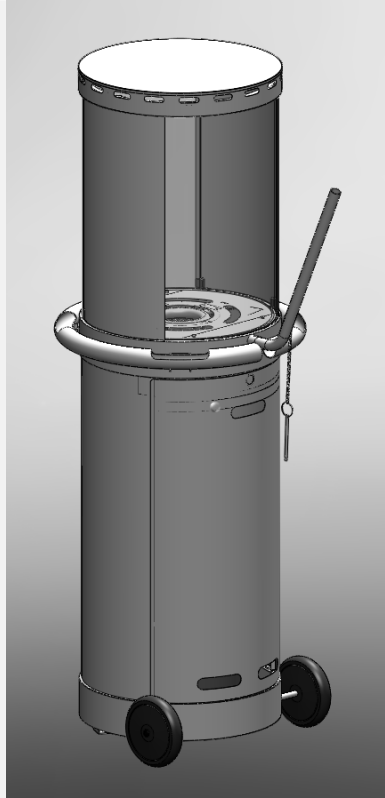
40011149-1117

ENG

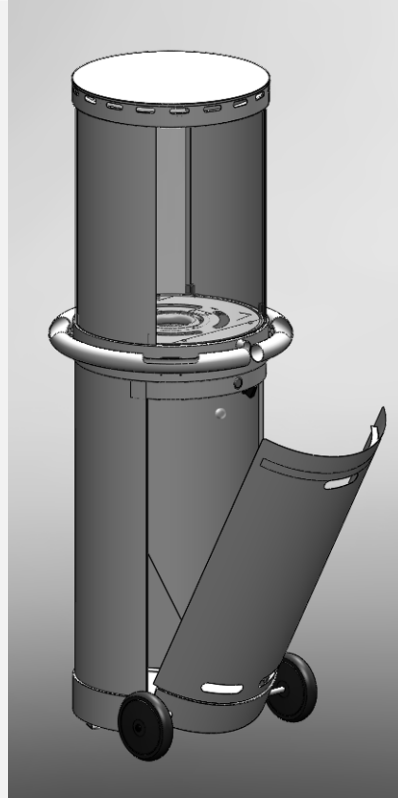
Installation and users guide

ENG

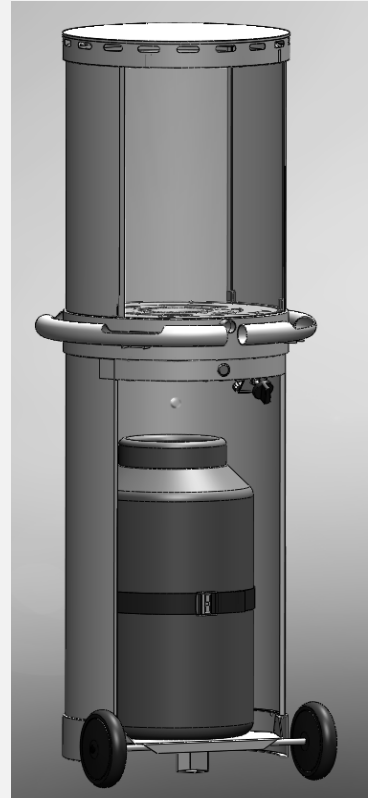
 **faber**



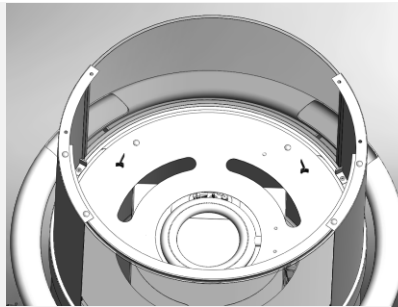
1.1 A



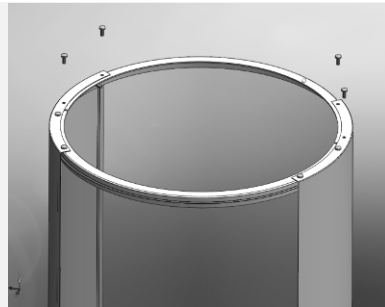
1.1 B



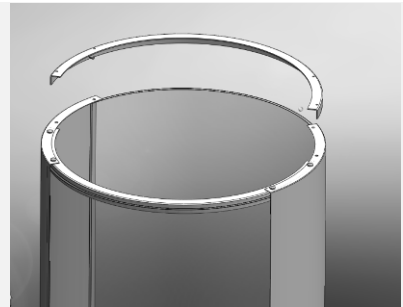
1.1 C



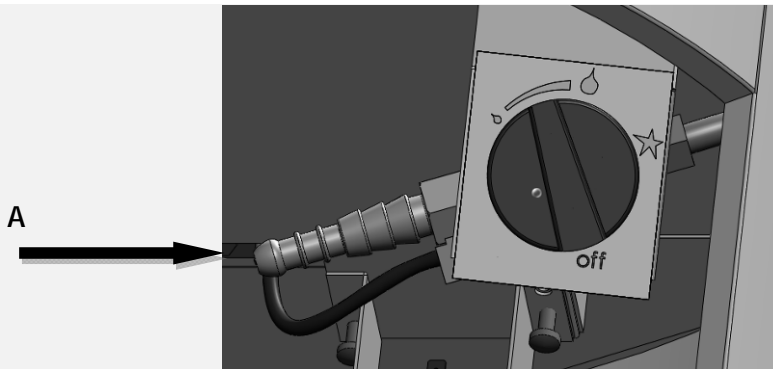
1.2 A



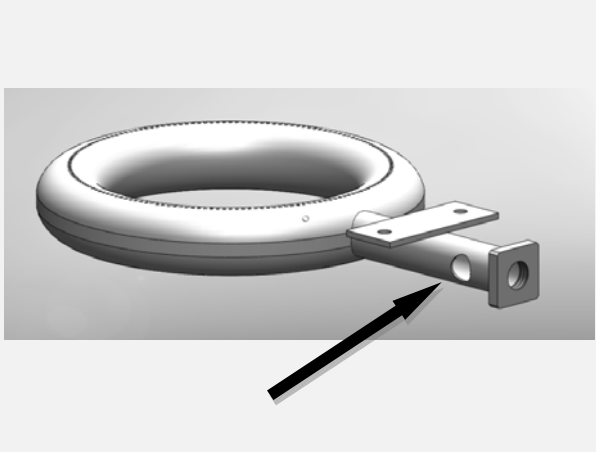
1.2 B



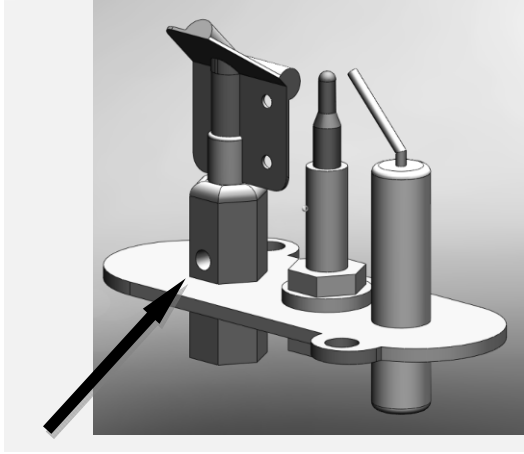
1.2 C



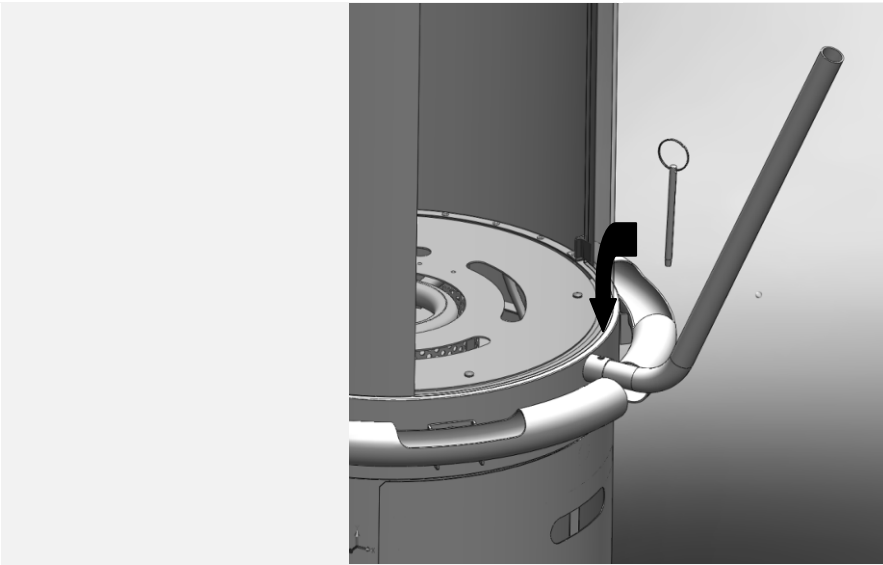
1.3



1.5



1.6



1.7



1 Introduction

The Tube is only intended for use outside the house.

We urgently advise you to read this installation guide and user manual carefully. This appliance complies with the guidelines for European gas appliances (Gas Appliances Directive) and bears the CE mark.

2 Safety instructions.

- The Tube should be installed and annually checked in accordance with these installation instructions and valid national and local Gas Safety (Installation and Use) Regulations .
- Check whether the data on the registration plate are in agreement with the local type of domestic gas and pressure.
- The installer is not permitted to change these adjustments or the construction of The Tube !
- The first time The Tube is switched on, burn it at the highest mark for some hours so that the lacquer coating will have an opportunity to set.
- The Tube is only intended for use outside the house.
- Do not move The Tube when it is in use.
- The Tube has been designed for atmospheric and heating purposes. This means that the surface of The Tube , including the glass, can become very hot (hotter than 100 °C). with the exception of the bottom of The Tube and the controls.
- Do not place any combustible materials within a distance of 0.5 m. of The Tube .
- When The Tube is in use, it should not be exposed to rain.
- If The Tube is not in use, cover it with the supplied cover.
- Let The Tube cool down before placing the cover.
- If The Tube is not in use for a considerable period of time, we advise you to store it inside.
- Note: damage to the lacquer will result in corrosion.

2.1 Tips for the safe use of gas bottles

- Gas bottles should always be in an upright position, both while they are in use and during transportation.
- Never take a flame or a burning object near a gas bottle during the installation.
- Trace leaks by means of a brush with washing-up liquid and water, if bubbles are formed you will know there is a leak.
- Always use a pressure regulator between the bottle and the appliance. Replace the pressure regulator every 5 years.
- Only use approved gas connection hoses. Replace these every two years.
- Make sure there is always proper ventilation.
- Close the gas bottle if the appliance is not in use.
- Leave the filling of gas bottles in the hands of a certified gas cylinder filling station.

3 Installation requirements

3.1 Placement of The Tube

The appliance is provide with a "Tilt switch" this switch will shut off the appliance when it fall over

- Place The Tube outside on a flat and solid surface.
- Leave a free space of at least 0,5 m behind The Tube for operating the controls.

3.2 Gas bottle and connection.

Natural gas:

- The gas connection must comply with locally valid Guidelines.
- Use a stability chain. This will keep The Tube from moving and prevent damage to the flexible hosing.

Propane:

- The gas connection must comply with locally valid Guidelines.
- The gas bottle should be placed in the space underneath the burner. (See fig. 1.1 C)

3.3 Move the appliance

Use the supplied handle if you want to move the tube (see Figure 1.7)

- Secure using the supplied pin.
- Switch off the Tube

4 Installation guide

4.1 supplied

Remove the rear wall plate and take out loose parts from the wrapping and check The Tube for possible damages incurred during transport. (Report such damages to your supplier.)

You will find :

1. Instruction manual
2. cover

Not supplied :

1. A gas bottle
2. an approved **gas hose with a** mbar pressure regulator. (See the Technical specifics for the correct pressure)
3. Security chain.

4.2 gas connection

Please take the installation requirements into account. (chapter 3)

Propane bottle :

- Open the gas bottle space by removing the access plate (see fig. 1.1 B)
- Attach the gas hose to the pressure regulator by means of a hose clamp.
- Fix the other end in the same way to the threaded insert attached to the gas control tap. (see fig. 1.3)
- Remove the seal on the gas bottle.
- Connect the pressure regulator to the gas bottle.
- Check the entire gas connection for leakages.
- Now place the gas bottle into the space and fasten it with the web sling. (see fig. 1.1 C)
- The gas bottle can be opened now.

Natural gas :

- Make sure you have an easily accessible gas tab outside The Tube .
- Use a stability chain. This will keep The Tube from moving and prevent damage to the flexible hosing, for

assembling you can use the holes in the bottom plate.

- Disconnect The Tube if you plan to move The Tube .

4.3 Removing glass

Remove the top plate of the Tube and on screw the mounting bracket and remove the four glass clips away, the glass can now be removed. (Fig 1.2 A , 1.2 B en 1.2 C)

Replacing the glass is done in reverse order. Remove all Fingerprints from the glass, these will be burnt into the glass when The Tube is in use.


5 User manual

The Tube has been provided with a control valve with an inbuilt ignition for the pilot light.


The level of the flame can be adjusted accordingly.

The control panel is located at the back behind the access plate. (see fig. 1.4)

5.1 Ignition pilot light

- turn the knob of the control valve in the OFF-position
- Open the gas bottle.
- Press the knob and turn it to the  position. You will hear a click and a spark will appear which should ignite the pilot light.
- If the pilot does not light then repeat procedure
- Keep pressing the knob down for about ten seconds after the ignition of the pilot light.
- Let go of the knob and check whether the pilot light remains alight.

5.2 Igniting and regulating the main burner.

- Turn the knob to the big flame, the main burner will ignite and the level of the flame can be continuously adjusted now.
- By turning the knob to the small flame the flame picture will go lower
- By turning to the  again the main burner will go to the out position

5.3 Extinguishing the pilot light.

- Turn the knob to the OFF position, and the pilot light will be



extinguished.

- Turn off the tap on the gas bottle.

6 Checking

6.1 Checking the ignition of the pilot burner, main burner.

- Ignite the pilot burner as described in chapter 5
- Check the ignition of the main burner at full mark and low mark (the ignition should proceed smoothly).

6.2 Checking for gas leakage.

Check all connections and attachments for possible gas leaks.

This can be done with the help of:

- a small brush with washing-up liquid and water
- a gas leak spray
- a gas leak detector.

Dry off the checked connections after the check-up.

7 Instruction client

- Recommend that the appliance be serviced annually by a Gas Safe registered gas fitter in order to guarantee a safe use and a long lifespan.
- Point out the lifespan of the gas hose and the pressure regulator to the client.
- Advise and instruct the client about maintenance and cleaning of the glass. Emphasize the risk of burning in fingerprints.

- Instruct the client about the operation of the appliance.
- Hand over to the client:
- Installation guide

8 Annual maintenance

8.1 Checking:

Check and clean if necessary after check-up:

The main burner, especially for the primary air intake (see fig.1.5)

The pilot light, especially for the primary air intake (see fig.1.6)

The glass

The log set for possible fractures

Gas hose and pressure regulator.

8.2 Cleaning the glass

Most deposits can be removed by means of a dry cloth. You can use ceramic hob cleaner to clean the glass.

Note: prevent fingerprints on the glass. These will be burned into it once the appliance is used and cannot be removed.

Now carry-out the check-up as described in chapter 6 "Checking".

9 Conversion to a different type of gas. (e.g. natural gas)

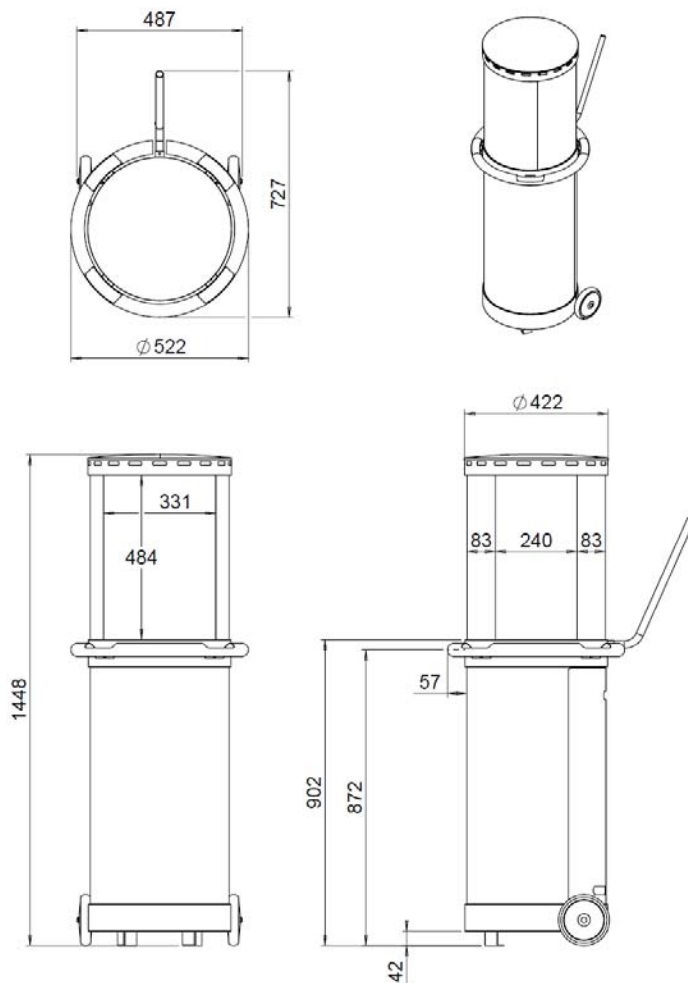
This can only be done by replacing the correct burner unit. Please get in touch with your supplier for this.

Always mention the type and serial number of the appliance when giving the order.

10 Technical specifics

Gascat.			
Type appliance		A1 outdoor	A1outdoor
Reference gas		G31	G20
Input Nett	kW	6.5	6.5
inlet-pressure	mbar	30	20
Gas rate at 15°C and 1013 mbar	l/h	267	698
Gas rate at 15°C and 1013 mbar	gr/h	500	-
Burner pressure at full mark	mbar	27.5	8.5
Injector main burner		1.4	2.1
Pilot assembly		LPG9720	NG 9709
Gas control valve		Seagas B13	Seagas B13
Gas connection			

11 Dimensions



 **faber**