



HEARTH PRODUCTS

HEARTH PRODUCTS
KITS AND ACCESSORIES

750183M
REV. A 04/2011

DECORATIVE ANDIRON KIT
MONTEBELLO™ SERIES

INSTALLATION INSTRUCTIONS FOR DECORATIVE ANDIRON KIT FOR USE WITH MONTEBELLO™ SERIES DIRECT VENT GAS FIREPLACES

FRONT VIEW MODELS LSM40-2, LSM45-2, LSM40-PV, LSM45-PV / SEE-THROUGH MODELS LSM40ST, LSM40ST-PV



WARNING

**HOT GLASS WILL CAUSE BURNS.
DO NOT TOUCH GLASS UNTIL COOLED.
NEVER ALLOW CHILDREN TO TOUCH GLASS.**

- The surfaces on your fireplace get **EXTREMELY HOT!**
- The glass on the front of the fireplace reaches **EXTREMELY high temperatures** and can cause severe burns if touched. Even after the gas is turned off, fireplace surfaces remain extremely hot.

• **Keep children away from an operating fireplace. Closely supervise children in any room where a fireplace is operating to prevent contact with glass.**

RISK OF PERSONAL INJURY OR PROPERTY DAMAGE.

- Never operate fireplace with glass door assembly removed.
- Securely tighten door latch screws when reinstalling glass door assembly to prevent door from falling out.
- Handle glass door assembly with extreme care. Replace damaged glass door assembly with approved replacement assembly only. The door assembly on this fireplace contains ceramic glass. Handle with care to prevent damage. If the door frame or glass becomes damaged, replace the entire glass door assembly with a manufacturer-approved replacement assembly only. Do not attempt to substitute any materials used on this door assembly or replace cracked or broken glass with any other materials.

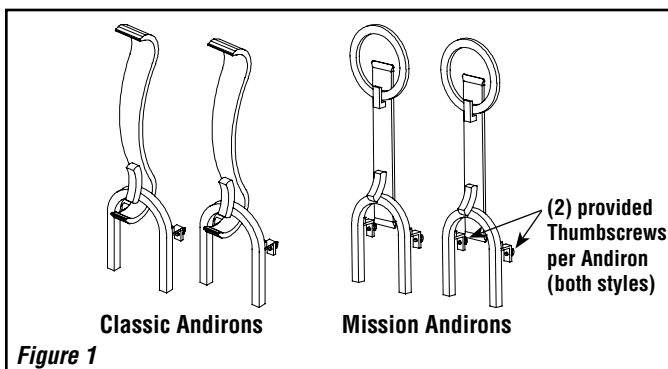
KIT CONTENTS

- (2) ea. Andirons
- (4) ea. Thumbscrews (2 attached to each andiron)

REQUIRED TOOLS

Phillips screwdriver

Montebello Series Andiron Kits		
Description	Cat. No.	Model
Andiron Kit, Mission	H2227	AKM-LSM
Andiron Kit, Classic	H2228	AKC-LSM



GENERAL INFORMATION

These decorative andiron kits are offered in two attractive styles as an enhancement to the firebox appearance.

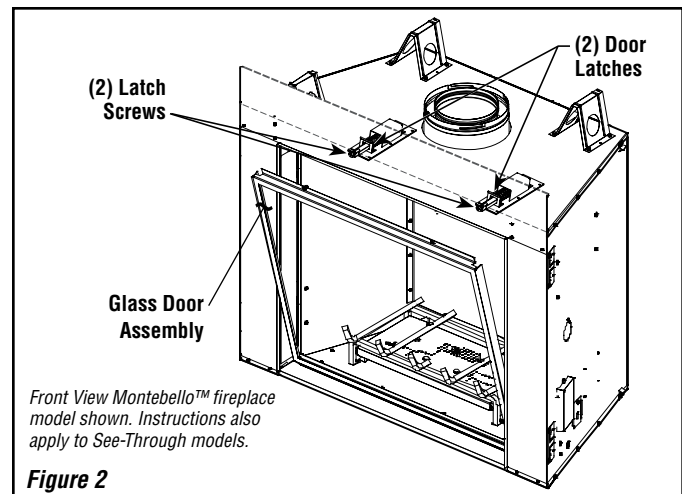
INSTALLATION INSTRUCTIONS

NOTICE

- Read all steps before starting installation.
- These instructions must be left with the appliance.
- All warnings, precautions, and instructions in the *Installation Instructions* and *Care and Operation Instructions* provided with the appliance also apply to these instructions.
- If you encounter any problems, need clarification of these instructions, or are not qualified to properly install this kit, contact your local distributor or dealer.

WARNING: Burn hazard. Install only when fireplace is OFF and COLD.

- Step 1.** If applicable, remove the mesh pull screens, as follows:
- Lift up the left side of the screen rod and slide it to the LEFT until the right side of the rod is disengaged from the hole. Slowly remove the rod and firescreens from the fireplace. Set aside in a safe location for later reinstallation.
- Step 2.** Remove the glass door assembly, as follows:
- a. See **Figure 2**. While holding the top of the glass door frame in place, use a Phillips screwdriver to remove the two (2) screws securing the door frame to the two (2) door latches.
 - b. Carefully swing the top of the glass door frame outward (as shown in **Figure 2**), and then lift the door assembly up and out of its lower track.
 - c. Carefully set aside the glass door assembly in a safe location (on a padded surface) for later reinstallation.

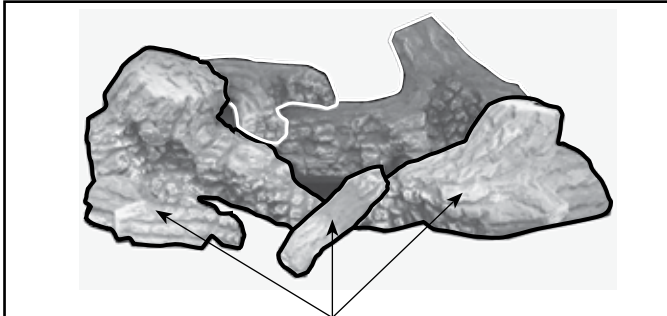


Step 3. Fireplace models LSM40-2, LSM45-2, LSM40-PV, LSM45PV:

Remove the front three logs indicated in **Figure 3**.

Note: Logs are FRAGILE! Handle with care to prevent breakage.

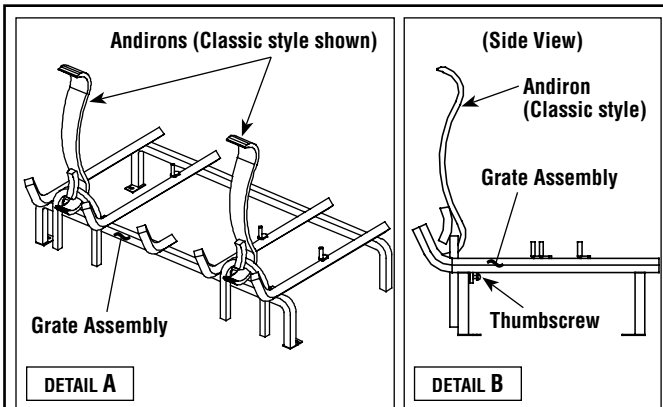
For fireplace models LSM40ST and LSM40ST-PV: Log removal is not necessary.



Fireplace models LSM40-2, LSM45-2, LSM40-PV, LSM45-PV:
Remove front three logs before installing andirons.

Figure 3

Step 4. Install andirons as described in Figure 4.



To install andirons in Montebello Front View fireplace models LSM40-2, LSM45-2, LSM40-PV and LSM45PV:

- 1) **Loosen** thumbscrews by turning them counterclockwise (do not remove thumbscrews).
- 2) Place andirons onto grate as shown above in **Detail A** and **B**.
- 3) Turn thumbscrews clockwise until snug (do not overtighten). Also see **Figure 5**.

To install andirons in Montebello See-Through fireplace models LSM40ST and LSM40ST-PV:

- 1) **Remove** thumbscrews by turning them counterclockwise. Discard thumbscrews.
- 2) Place andirons onto grate as shown above in **Detail A**. Also see **Figure 6**.

Figure 4: Installing Andirons

Step 5. Fireplace models LSM40-2, LSM45-2, LSM40-PV, LSM45PV:

Reinstall the logs removed in **Step 3**. For details, refer to the log placement instructions in the fireplace *Installation Instructions*.

Note: Logs are FRAGILE! Handle with care to prevent breakage.

Step 6. See Figure 2. Reinstall the front glass door assembly, as follows:

- a. Retrieve the glass door assembly. Visually inspect the gasket on the backside of the frame to ensure it is clean, free of irregularities, and firmly seated on the frame.
- b. Position the door assembly in front of the firebox opening with the top of the door held away from the fireplace, as shown in **Figure 2**. Lower the bottom of the door assembly onto the bottom door track. Pivot the door up after engaging and centering in the base channel.
- c. Using a Phillips screwdriver, fasten the door frame to the door latch with the two (2) latch screws removed in **Step 2**.

⚠ WARNING: Risk of personal injury or property damage. To prevent glass door assembly from falling out, securely tighten latch screws when reinstalling. (Also see WARNING box on Page 1.)

Step 7. If applicable, reinstall the mesh pull screen assembly removed in Step 1, as follows:

- a. Reattach both mesh pull screens to the rod.
- b. Insert the right side of the rod into the corresponding hole on the upper right side of the firebox opening.
- c. Insert the left side of the rod into the corresponding hole on the upper left side of the firebox opening.

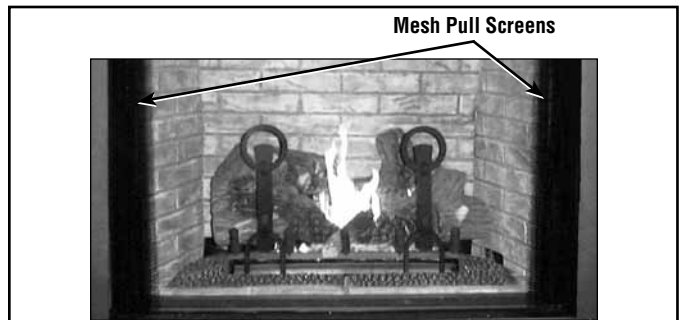


Figure 5



Figure 6

NOTE: DIAGRAMS & ILLUSTRATIONS ARE NOT TO SCALE.

Lennox Hearth Products reserves the right to make changes at any time, without notice, in design, materials, specifications, and prices, and to discontinue colors, styles, and products. Consult your local distributor for fireplace code information.

