



**HEARTH PRODUCTS**

LENNOX HEARTH PRODUCTS  
KITS AND ACCESSORIES

P/N 750,021M  
REV. E 03/2008

**ARCH DOOR KITS WITH BRASS OR  
BRUSHED STAINLESS STEEL TRIM**

**INSTALLATION INSTRUCTIONS FOR ARCH DOOR KITS WITH BRASS OR BRUSHED STAINLESS STEEL TRIM  
FOR USE WITH MERIT™, MERIT PLUS™, OR ELITE® SERIES GAS FIREPLACES**

KIT CONTENTS:	TOOLS REQUIRED:
1 ea. Arched Door 1 ea. Instruction Sheet	None

**GENERAL INFORMATION**

These arch door kits may be used with gas fireplace models listed in *Tables 1 & 2*.

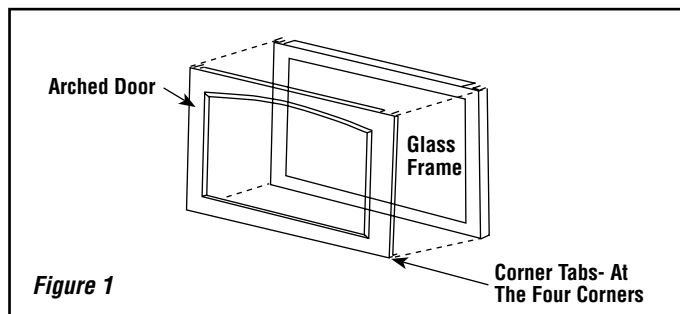
**⚠ CAUTION**

**INSTALL ONLY WHEN THE FIREPLACE IS OFF AND COLD!**

**INSTALLATION INSTRUCTIONS**

**Part A: Elite Series Fireplaces**

- Step 1.** Slightly lift and pull the existing top radiant panel/hood assembly away from the fireplace, or pull hood and slightly lift and pull the existing louver assembly away from the fireplace.
- Step 2.** Lift and pull the existing top and bottom bustle away from the fireplace.
- Step 3.** Open the bottom compartment door (either a radiant panel or louver assembly) by pushing in simultaneously the left and right top corners of the door (the door is hinged at the bottom).
- Step 4.** Remove the bottom compartment door by sliding the hinge pin, located at the door's left side, to the right until it disengages from the left corner post hole. Pull the door diagonally to the left, away from the fireplace.
- Step 5.** Remove the modesty panel as follows: lift the modesty panel by the tab on the panel's right end, pull the right end of the panel away from cabinet and then pull the panel diagonally out of the corner post slots on the left side of the unit. Remove the modesty panel carefully, so that none of the wires become loose or disconnected.



**Step 6.** Open the glass door latch(s) located underneath the firebox.

**Step 7.** Remove the door from the fireplace by swinging the bottom of the door outward and lifting it up and away.

**Step 8.** Center the arch door over the glass frame as shown in *Figure 1*. Press the arch door onto the glass frame and bend the four corner tabs into the frame's U-channel as shown in *Figure 2*.

CAT. NO.	MODEL	WHERE USED
81L34	ADK35CPB	EDV3530, ED3530
81L35	ADK40CPB	EDV4035, ED4035-2, LMDV-4035, SSDV-4035, MPD4035, EDVST, EDST-2, EDVPF, EDPF-2, EDVCR, EDCR-2, EDVCL, EDCL-2, EBST-2, EBVPF, EBPF-2, EBVCR, EBCR-2, EBVCL, EBCL-2
81L36	ADK45CPB	EDV4540, ED4540-2, MPD4540
81L37	ADK24CPB	EDVPF, EDPF-2, EDVCR, EDCR-2, EDVCL, EDCL-2, EBVPF, EBPF-2, EBVCR, EBCR-2, EBVCL, EBCL-2
98L05	ADK33CPB	MDR3328, MDT3328, MPDT3328, MPDR3328, LMDVR-3328
26M43	ADK35CMPB	MPD3530, MPD35ST, MPD35PF, MPB35ST, LMDV-3530, SSDV-3530
H7026	ADK22CMPB	MPD35PF

**Table 1 - Arch Door Kit with Brass Trim**

CAT. NO.	MODEL	WHERE USED
98L68	ADK35CBS	EDV3530, ED3530
98L69	ADK40CBS	EDV4035, ED4035-2, LMDV-4035, SSDV-4035, MPD4035, EDVST, EDST-2, EDVPF, EDPF-2, EDVCR, EDCR-2, EDVCL, EDCL-2, EBST-2, EBVPF, EBPF-2, EBVCR, EBCR-2, EBVCL, EBCL-2
98L70	ADK45CBS	EDV4540, ED4540-2, MPD4540
98L71	ADK24CBS	EDVPF, EDPF-2, EDVCR, EDCR-2, EDVCL, EDCL-2, EBVPF, EBPF-2, EBVCR, EBCR-2, EBVCL, EBCL-2
98L62	ADK33CBS	MDR3328, MDT3328, MPDT3328, MPDR3328, LMDVT-3328, LMDVR-3328
26M44	ADK35CMBS	MPD3530, MPD35ST, MPD35PF, MPB35ST, LMDV-3530, SSDV-3530
H7027	ADK22CMBS	MPD35PF

**Table 2 - Arch Door Kit with Brushed Stainless Steel Trim**

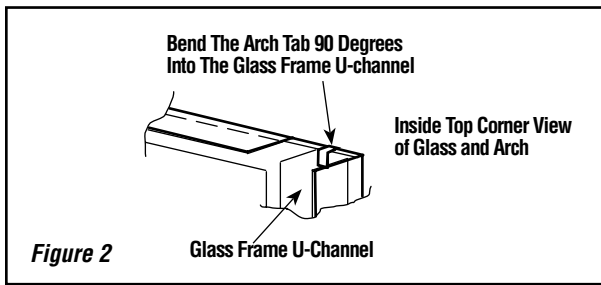


Figure 2

**Step 9.** Position the glass door and arch assembly in front of the firebox opening with the bottom of the door held away from the fireplace. Hook the top flange of the door frame over the top of the firebox frame. Let the bottom of the door frame swing gently in towards the fireplace ensuring that the gasket seats evenly as the door frame draws shut. Fasten the two latches located underneath the firebox floor to the door's vee-flange. Close both the latches securely.

**Step 10.** Reinstall the modesty panel.

**Step 11.** Reinstall the bottom compartment door.

**Step 12.** Close the bottom radiant panel or louver assembly.

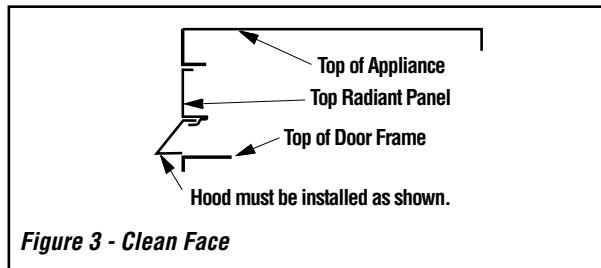


Figure 3 - Clean Face

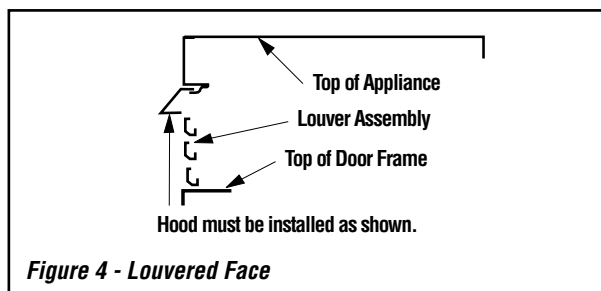


Figure 4 - Louvered Face

**Step 13.** Reinstall the top radiant panel/hood assembly, or hood and louver assembly. Make certain that the hood is installed as shown in **Figure 3** (clean face models) or **Figure 4** (louvered models). The fireplace must not be operated without the hood installed as shown in these figures.

**Note - Do not reinstall the top and bottom bustle with this arch door kit installation. Keep them for any possible future re-decorating.**

#### Part B - Merit, Merit Plus & SSDV Series Fireplaces

**Step 1.** Slightly lift and pull the existing top radiant panel/hood assembly away from the fireplace, or pull hood and slightly lift and pull the existing louver assembly away from the fireplace.

**Step 2.** Open the bottom compartment door (either a radiant panel or louver assembly) by pushing in simultaneously the left and right top corners of the door. (The door is hinged at the bottom.)

**Step 3.** Open the two glass door latches located underneath the firebox.

**Step 4.** Remove the door from the fireplace by swinging the bottom of the door outward and lifting it up and away.

**Step 5.** Center the arch door over the glass frame as shown in **Figure 1**. Press the arch door onto the glass frame and bend the four corner tabs into the frame's U-channel as shown in **Figure 2**.

**Step 6.** Position the glass door and arch assembly in front of the firebox opening with the bottom of the door held away from the fireplace. Hook the top flange of the door frame over the top of the firebox frame. Let the bottom of the door frame swing gently in towards the fireplace ensuring that the gasket seats evenly as the door frame draws shut. Fasten the two latches located underneath the firebox floor to the door's vee-flange. Close both the latches securely.

**Step 7.** Reinstall the top radiant panel/hood assembly or hood and louver assembly. Make certain that the hood is installed as shown in **Figure 3** (clean face models) or **Figure 4** (louvered models). The fireplace must not be operated without the hood installed as shown in these figures.

**Step 8.** Close the bottom radiant panel or louver assembly.

NOTE: DIAGRAMS & ILLUSTRATIONS NOT TO SCALE.

Lennox Hearth Products reserves the right to make changes at any time, without notice, in design, materials, specifications, prices and the discontinuance of colors, styles and products. Consult your local distributor for fireplace code information.

**LENNOX**<sup>TM</sup>

**HEARTH PRODUCTS**

1110 West Taft Avenue • Orange, CA 92865