

# EXPRESS GSM

insert a SIM card

## USER'S MANUAL

insert a battery

call to the detector SIM card

press the remote controller button

Install the device in a suitable location



EXPRESS GSM is ready for operation

 SIBERIAN  
ARSENAL

## Dear customer!

Thank you for choosing our product. The efforts of different specialists of “Siberian Arsenal” scientific production association were put into creation of the modern high-quality technical security devices.

Please look through this manual so that the device could serve for a long time and failure-free. In case you have any wishes or comments please use contact information given at the end of manual. We appreciate your opinion.

This user’s manual is intended for mounting and maintenance of GSM motion detector «EXPRESS GSM».

The motion detector is designed to detect human movement within the protected premises and inform the user by GSM network about this. Protection mode is turned on/off by using the remote controller. The battery provides continuous operation of motion detector with a daily turning on/off the protection mode, from 6 to 12 months.

Telephone number of the GSM motion detector SIM card:

Have you ever thought that setting the alarm is expensive and troublesome, we also thought so! Now everything has become much easier. If you decide to protect yourself from the troubles, it would take only 10 minutes!

Be sure you can handle easily!

You rent a flat, and have no possibility to equip it with alarm. Set up the EXPRESS. When you move you can easily take it with you!

In summer period burglaries become more frequent. You do not want to get into this unhappy statistics, but want to relax in the countryside. Set up the EXPRESS and relax with peace of mind!

You build a house or a flat, no guard yet, but the valuables are already there. Set up temporarily the EXPRESS!

You think your colleagues look at your table (cabinet). Follow up question by the EXPRESS!

You already have protection with security office, but you think they could come to you when you are absent. Set up the EXPRESS and be sure!

EXPRESS does not detect the movement of people through the glass, so the false alarms are impossible. Put it on a seat in the car when you leave to the store or to work!

You are a builder and your facility has cabins and rooms, where you store valuables, construction equipment. Set up the EXPRESS!

There is a watchman in your cottage community, negotiate with your neighbors and organize a real security, let the calls and SMS of the "Alert" come to the watchman and to you. Set up the EXPRESS!

***If you have reason to worry for the safety of your property, set up the EXPRESS GSM!***

## Settings

For setting motion detector you will need:

- SIM card with balance. PIN code request should be disabled;
- Mobile telephone;
- Remote controller;
- Motion detector;
- Battery.

For your ease you should record motion detector SIM card telephone number into your telephone book, for example «Cottage guard». Then in case you get alarm message, you will not guess who sent it.

## Helpful recommendations

1. Before operation in winter in unheated rooms it is desirable to install a new battery.
2. When replacing the battery installed options are remained.
3. It is advisable to use new SIM card for installation to motion detector.
4. It is desirable that the motion detector' mobile operator and your mobile operator coincide. This will speed up the transfer of SMS messages
5. Use tariff rate with the lowest cost of SMS messages.
6. Motion detector memory can store up to 6 remote controllers and up to 6 telephone numbers for warning.
7. Make sure that the place of motion detector installation has coverage area of cellular communication.
8. Receive or not receive the SMS with notification about turning on/off the protection

mode? Just change the jumper setting (see page 7).

9. Every 7 days you will receive test SMS messages with balance.

10. If you did not manage to record remote controller in motion detector memory or call the motion detector number within defined period, remove the battery from the motion detector, wait 2-3 minutes. Then insert the battery observing the polarity, wait 30 seconds and record the remote controller or call motion detector number.

11. In case you changed SIM card, you should repeat the setting.

12. If you can not set the motion detector, make sure that

- SIM card is installed correctly (see page 7);
- jumper is in position 1 or 2 (see page 7);
- the battery is installed with the correct polarity.

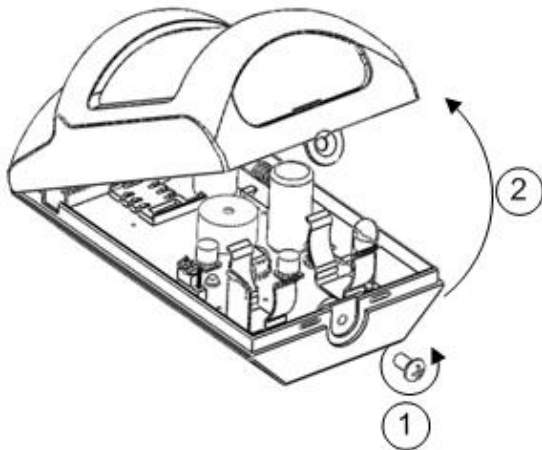
13. For more information you can read the manual on the site [www.express-gsm.info](http://www.express-gsm.info), in the Documentation section.

---



***Remember! The battery has a limited resource, so please use the economy mode.  
Attention! DO NOT REMOVE the SIM card when battery is installed.***

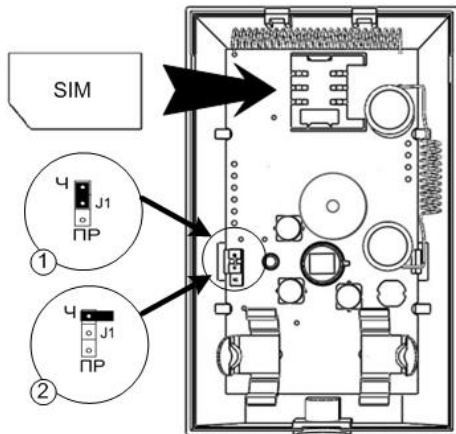
For the initial setup of motion detector please follow several simple operations.



1.Remove the screw at the bottom part.

2. Remove the motion detector cap.

2



Insert the SIM card into its holder. Set the jumper in position 1 or 2.

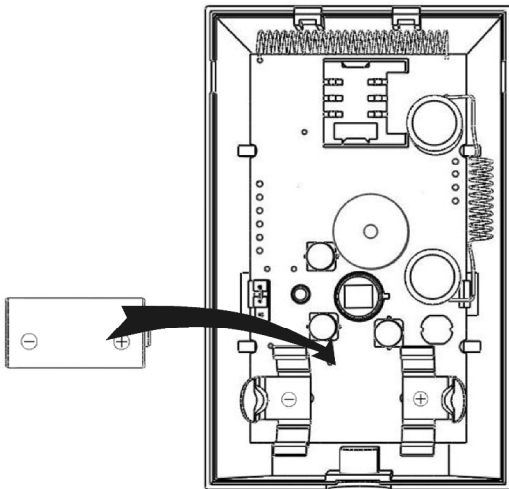
1. Normal mode. Set the jumper to the "4" position. You will receive SMS informing about turning on/off the protection mode. Protection mode can be turned off by remote controller in any time.

2. Economy mode. Remove the jumper. You will not receive SMS informing about turning on/off the protection mode. Turning off the protection mode will be possible after you get to detection zone.



***If the SIM card was used in the motion detector earlier, erase phone book. For this, please set the jumper to the "ПП" position, then MUST WAIT FOR 1 MINUTE and install the battery, observing polarity. Wait for the beep noise finish. Erasing completed. Remove the battery. Set the jumper in position 1 or 2.***

3



Insert the battery into the motion detector slot observing polarity.

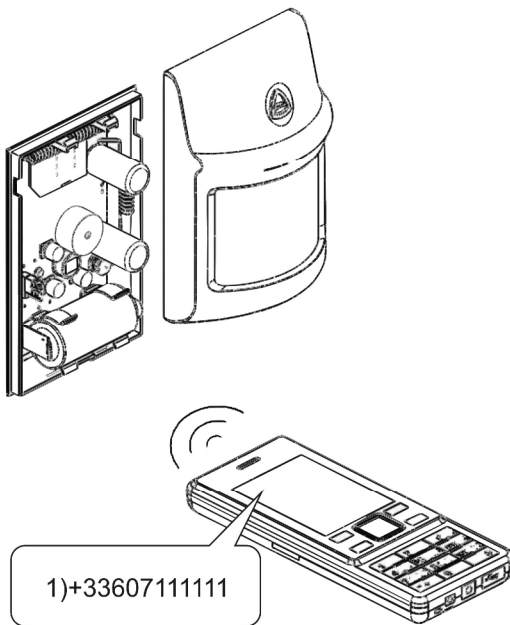
At power-up, an audible beep sounds. Then three short beeps sound and the LED winks 1 time in 5 seconds.

**WARNING!**

***Within 30 seconds after this you should record a phone number in motion detector memory (see next. page).***



4



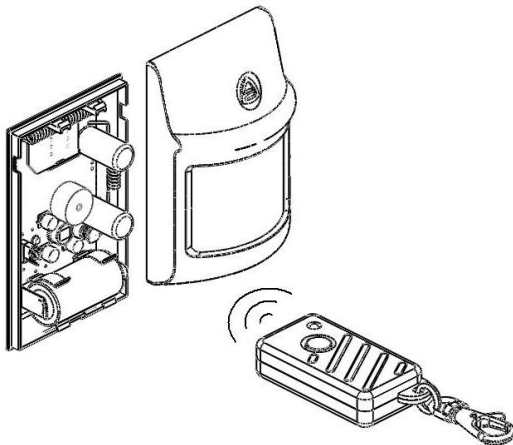
After 3 short beeps sound, during 30 seconds you should send SMS with your cell phone number to motion detector SIM card number in format: 1)+XXXXXXXXXX, where 1) –sequence number XXXXXXXXXXXX – your cell phone number in international format

Your phone number will be set as the main for alert alarm, turning off/on the protection mode, and also for settings change. The motion detector will hang up itself.

Motion detector memory can store up to 6 telephone numbers for warning.

**WARNING! Within 30 seconds you should record the remote controller into the motion detector memory.**

5



Since the end of the call, you have 30 seconds to press briefly the remote controller button. After pressing it, the motion detector will record remote controller in it's memory. During recording, the LED alternately winks red and green. After recording one beep noise will sound.

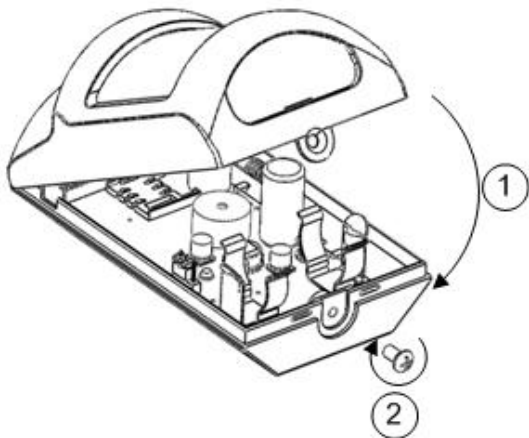
You can switch on and off protection mode using the remote controller.

This way you can record up to 6 remote controllers.



***In case of alarm, the owner of the recorded phone number can remotely switch off the motion detector. For this you should call the motion detector number within 30 seconds after alarm message received. Otherwise, if the alarm repeats, you will receive alarm message again after 2-3 minutes.***

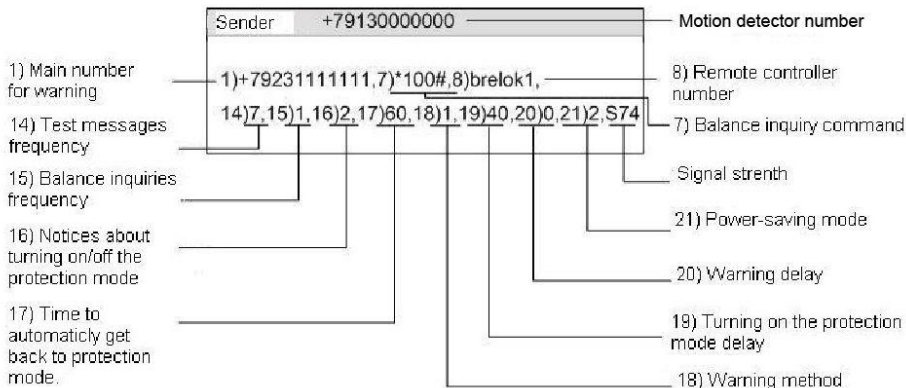
6



1. Close the motion detector cap.

2. Tighten the screw at the bottom of the hull.

Within 30-40 seconds a service SMS with installed settings will be received at your mobile phone (which number was saved in motion detector SIM memory). These settings may be changed in the future.



**More detailed information about additional settings of the motion detector is available in operating manual at [www.express-gsm.info](http://www.express-gsm.info) in Documentation section. In Video section there is a video demonstrating the whole setting process.**

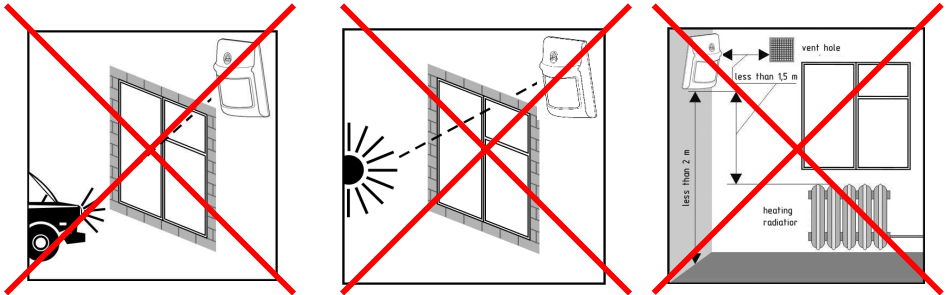
## Installation

Put the motion detector into the place, where it will be protected from exposing to atmospheric precipitation, mechanical damages and access of unauthorized persons.

The motion detector should be placed such a way that makes a protected zone well within view. Recommended height for installation is 2.0-2.5 m.

Detecting range of human entry the protected zone is not exceeding 10 meters.

The motion detector shouldn't be installed near the powerful heat source (fireplace, stove, conditioner, heating radiator etc.), in the places with strong air flow or exposed to direct sun rays.

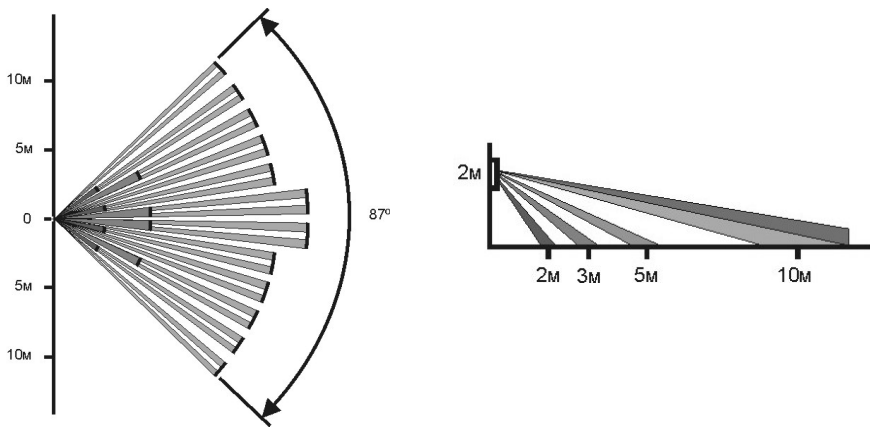


The wall with motion detector shouldn't receive heavy vibration.

Presence of some objects (furniture, screens, plants etc.) in the protected zone makes "blind" zones behind them and motion detector may not detect human pass such zones.

Presence of animals and birds in the protected zone may lead to false alarm.

Detecting zones are shown in the picture below.



Use bracket or double-sided adhesive to fix motion detector on the wall.

## ***Motion detector Functional Test***

After installation of the motion detector it is necessary to test its functionality. Use the first and the second testing methods for common mode and the third and the fourth testing methods for economy mode.

### ***The first method (jumper is put in “4” position).***

1. Press remote controller button. Remote controller LED should wink red. Beep will sound every 4 seconds during 60 seconds (total about 15 times). It is need to leave the protected zone during this period.
2. Wait for receiving SMS with text “Protection mode is on by remote controller #1”.
3. Wait more 2-3 minutes and enter the protected zone.
4. Wait for receiving SMS with text “Alarm” and incoming call.
5. Dial the motion detector number.
6. Wait for receiving SMS with text “Protection mode is off by call +XXXXXXXXXXXX».

### ***The second method (jumper is put in “4” position).***

1. Leave the protected zone.
2. Press the remote controller button. Remote controller LED should wink red.
3. Wait for receiving SMS with text “Protection mode is on by remote controller #1”.
4. Wait more 2-3 minutes. Press remote controller button. Remote controller LED will wink green.
5. Wait for receiving SMS with text “Protection mode is off by remote controller #1”.

***The third method (jumper is put off).***

1. Press remote controller button. Remote controller LED should wink red. Beep will sound every 4 seconds during 60 seconds (total about 15 times). It is need to leave the protected zone during this period.
2. Leave the protected zone.
3. Wait 2-3 minutes. Enter the protected zone.
4. Wait for receiving SMS with text "Alarm" and incoming call.
5. Press remote controller button.
6. Wait for beep sounds twice.

***The fourth method (jumper is put off).***

1. Leave the protected zone.
2. Press remote controller button. Remote controller LED should wink red.
3. Wait 2-3 minutes. Enter the protected zone.
4. Wait for beep sounds once.
5. Press remote controller button. Remote controller LED will wink green.
6. Wait for beep sounds twice.



***Attention! In economy mode the remote controller functions only after EXPRESS has detected You.***



## *Turning On/Off the Protection Mode*

Protection mode is turned on/off by remote controllers, registered in motion detector memory. Remote controllers covering distance is up to 15 m.

In order to **turn on** the protection mode press remote controller button. Remote controller LED lights yellow while waiting for the motion detector response. Wait till remote controller LED winks red. After 40 seconds motion detector will turn on the protection mode. During this period beep will sound every 4 seconds.

In order to **turn off** the protection mode press remote controller button. Remote controller LED will light yellow. After the motion detector turns off the protection mode remote controller LED will wink green.

After the protection mode is turned on/off SMS with text “Protection mode is on” or “Protection mode is off” will be directed to Your mobile number (if jumper is put in “U” position).

If press remote controller button several times before SMS informing about turning on/off the protection mode is sent, SMS will contain the last event.

## *Actions in Case of Alarm*

If someone enters a protected zone while motion detector is in protection mode, motion detector will send SMS with text “Alarm” to Your mobile number. After that it will dial Your number and will be waiting for incoming call during 30 seconds to turn off the protection mode. When a call comes, motion detector will refuse it and send SMS with text “Protection mode is turned off by call +XXXXXXXXXXXX”. In case of alarm it is also possible to turn off the protection mode by remote controller. Human appearance detection range is up to 10 meters.

## Specifications

Feature	Value
Human appearance detection range, not less	10 m
Radio remote controller maximum covering distance	15 m
GSM module standard	GSM-900/1800/1900
Maximum quantity of telephone numbers for warning	6
Maximum quantity of radio remote controllers for turning on/off protection mode	6
Warning period	10 - 40 s
Battery type	Li Battery CR123A 3,0 V
Operating temperature range	-20...+50 °C*
Relative air humidity at +35 °C, without moisture condensation, not more	93%
Motion detector operating time with one battery at +25 °C, not less	6 months
Remark - * from -25 °C with shortening of operating time	

## Package Contents

Code	Name and designation	Q'ty
SAPO.425152.029	GSM motion detector	1
SAPO.734328.001	Bracket	1
SAPO.734328.002	Holder	1
—	Self-tapping screw 3x6 ГОСТ 11621-80	1
—	Double-sided adhesive	1
SAPO.425718.009	Radio remote controller БН-1-С	1
—	Li Battery CR123A 3,0 V	2
SAPO.425152.030ПП	User manual	1

## Contact Details

NPO «Siberian  
Arsenal»

Russia, 630073,  
Novosibirsk,  
Gorskiy Microdistrict, 8a  
tel.: (383) 240-86-40  
fax:(383) 240-86-40

e-mail: [manager1@express-gsm.info](mailto:manager1@express-gsm.info)  
web: [www.express-gsm.info](http://www.express-gsm.info)  
MSN: [sunshine\\_nataly@live.ru](mailto:sunshine_nataly@live.ru)  
skype: nataly\_sunshine

Support

e-mail:  
[support@express-gsm.info](mailto:support@express-gsm.info)

## Warranty

Warranty period is one year.

During this period manufacturer is to repair, change or adjust at option failed product for free. Warranty doesn't cover the products with mechanical damages, traces of repairing by one's own or other signs of abuse.

Warranty doesn't cover the battery.

Warranty period starts from the day of purchasing the product. The absence of sale record relieves from warranty.

Date of sale:

Seller name:

Seal

\_\_\_\_\_

\_\_\_\_\_

\_\_\_\_\_

## Test Certificate

Product "EXPRESS GSM" corresponds to the design documentation and is recognized as ready for operation.

Release date:

QC

\_\_\_\_\_

\_\_\_\_\_