

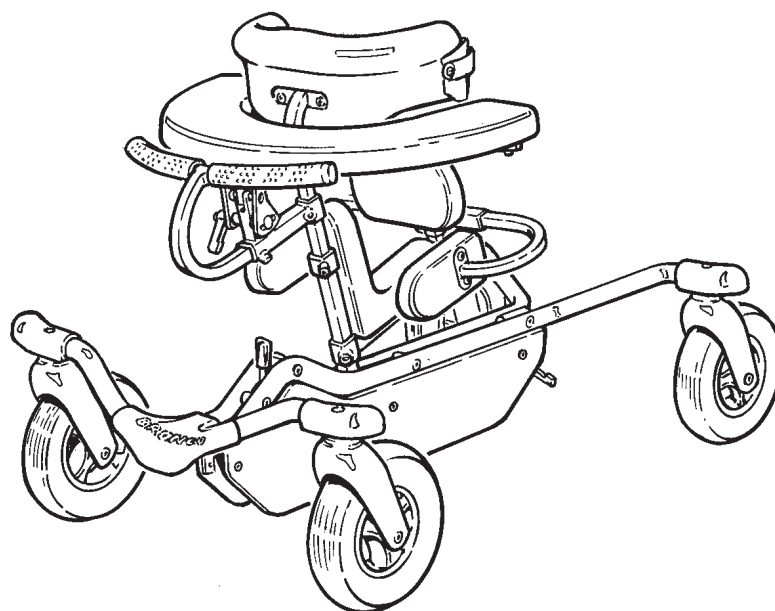
R82<sup>®</sup> 

bronco<sup>™</sup>

English user manual

## **GB** CONTENTS

Bronco .....	3
Safety .....	4
Warranty .....	4
Tools .....	4
Washing.....	4
Maintenance.....	4
Ready for use .....	5
Height adjustment of seat and body support.....	6
Angle adjustment of the body support.....	6
Brake .....	7
Directional stabilizer .....	7
Abdominal pad.....	8
Rear support.....	8
Head support.....	9
Handbrace .....	10
Armrest.....	10
Side supports.....	11
Helper's handle .....	11
Vertical hand grips, mounted at the ends .....	12
Vertical hand grips, mounted in the middle.....	13
Product identification .....	14
Measurements.....	15
Technical data.....	16
Producer .....	16
Distributor .....	16



## **GB** BRONCO

Congratulations on choosing the Bronco. We are convinced that it will fully live up to your expectations.

The Bronco is the outdoor walking aid from R82 for children from 1½ to 8 years of age.

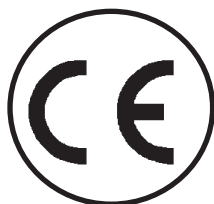
This manual describes and illustrates all functions, and will enable you to take maximum advantage of your Bronco.


G  
B


## GB SAFETY


The Bronco has earned the CE-mark. This certifies that it meets all relevant European safety requirements.

The durability of this product is 5 years when it is used on a daily basis. Hereafter the product must be renovated (by R82 personnel) to extend the lifetime.



 Remove the CE-mark, when re-building the product or when using other than original R82 spare parts and fittings.

 Check the strap before every use and replace any worn out parts before using this product.

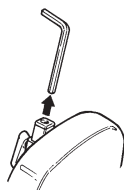
 Never leave your child unattended in this product. Ensure constant supervision by an adult. Incorrect use of the product, may cause serious injury to the user. Ensure that the belt is securely fixed to the frame before every use.

## GB WARRANTY

R82 offers a 2-year warranty against defects in workmanship and materials and a 5-year warranty on breakage of the metal frame caused by defects in welds. The warranty would be adversely affected if the customer's responsibility of servicing and/or daily maintenance is not carried out according to the guidelines and intervals prescribed by the supplier and/or stated in the manual. For further information, we refer to the R82 homepage/download. The warranty can only be sustained if the R82 product is in use in the same country where it was purchased and if the product can be identified by the serial number. The warranty does not cover accidental damage, including damage caused by misuse or neglect. The warranty does not extend to non-durable parts, which are subject to normal wear and tear and need periodic replacement. The warranty is null and void if non-original R82 parts/accessories are used, or if the product is repaired or altered by anyone other than an authorised R82 representative or by trained personnel officially recognised by R82 for repair and maintenance of R82 products. R82 reserves the right to inspect the product being claimed for and the relevant documentation before agreeing to the warranty claim, and to decide upon whether to replace or repair the defective product. It is the customer's responsibility to return the item being claimed for under warranty to the address of purchase. The warranty is given by R82 or, subsequently, an R82 dealer.

## GB TOOLS

Behind the rear support you will find a 6 mm Allan key. This key is used to perform some of the adjustments described in this manual.




## GB WASHING

We recommend to clean the frame frequently.

## GB MAINTENANCE

- Clean the frame on a regular basis, especially when it has been in contact with rainwater / saline water.

 Do not use any cleaning materials containing chlorine or methylated spirit.

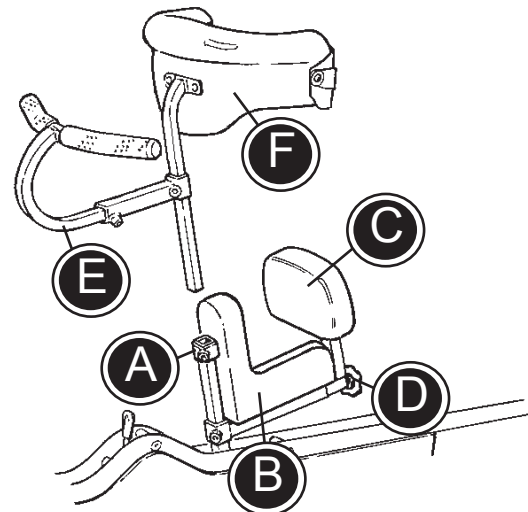
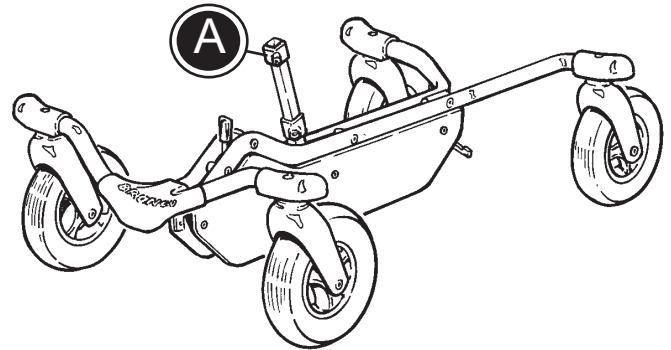
 Adjustments which are not described in this manual, must only be made by authorized R82 personnel.

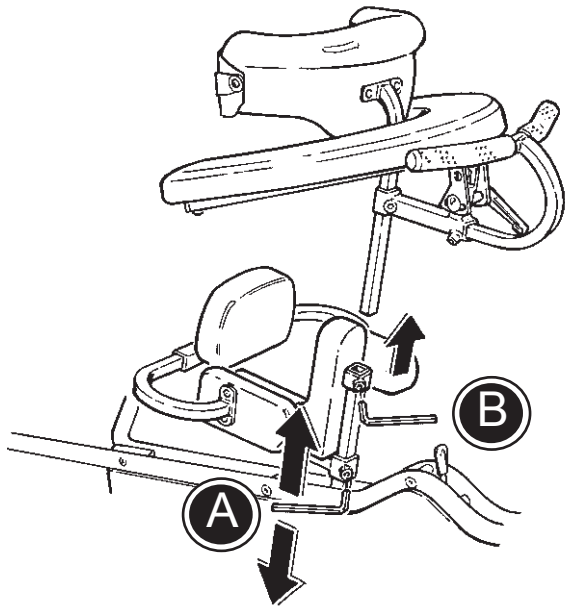
## **GB** READY FOR USE

The Bronco is delivered in parts to make it take up as little room as possible during transportation. To make your Bronco ready for use, please follow the below description.

- 1) Dismount the fitting (A).
- 2) Mount the seat (B) on the vertical bar on the frame and fasten with the enclosed Allen key. Remount the fitting (A).
- 3) Mount the rear support (C) beneath the seat and fasten using the handle (D).
- 4) Mount the handlebar (E) on the body support (F) and fasten with the enclosed Allen key.
- 5) Mount the body support (F) in the vertical bar on the frame and fasten the fitting (A).

Your Bronco is now ready for use.

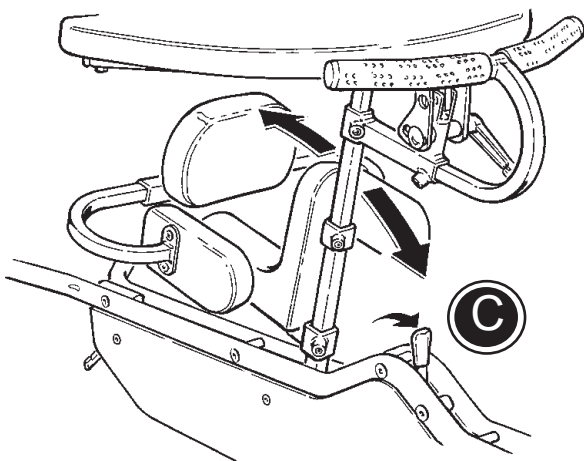




## **GB** HEIGHT ADJUSTMENT OF SEAT AND BODY SUPPORT

Use the Allen key as shown (A) to adjust the seat height. Fasten at the right position.

Adjust the height or remove the body support by using the Allen key. (B)



## **GB** ANGLE ADJUSTMENT OF THE BODY SUPPORT


Pull the small handle forward as shown (C), to release the gas spring.

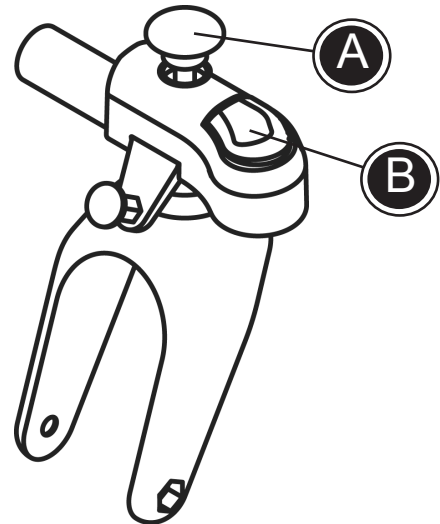
Release the handle at the right angle.

## **GB** BRAKE

The Bronco is equipped with brakes on all four wheels. The brakes can be activated when needed.

- 1) Activate the brake (A) using a foot.
- 2) Deactivate the brake (B) using a foot.

 Make sure that all four brakes are activated before placing the user into the Bronco.



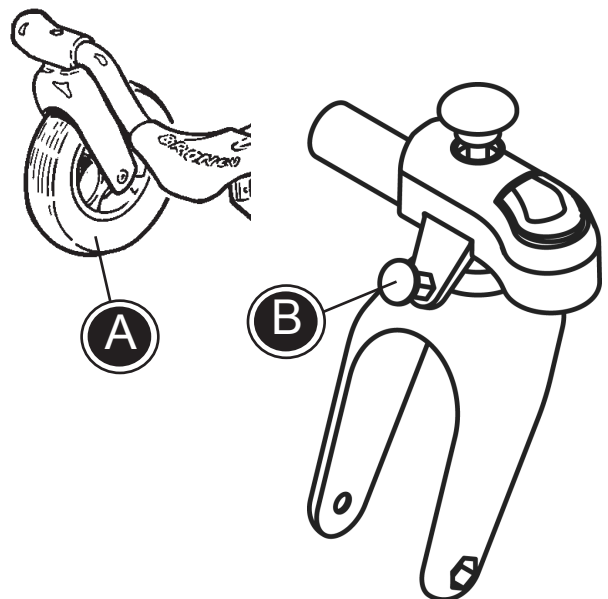
## **GB** DIRECTIONAL STABILIZER

The directional stabilizer prevents the wheels from turning. Directional stabilizers are mounted on all four wheels.

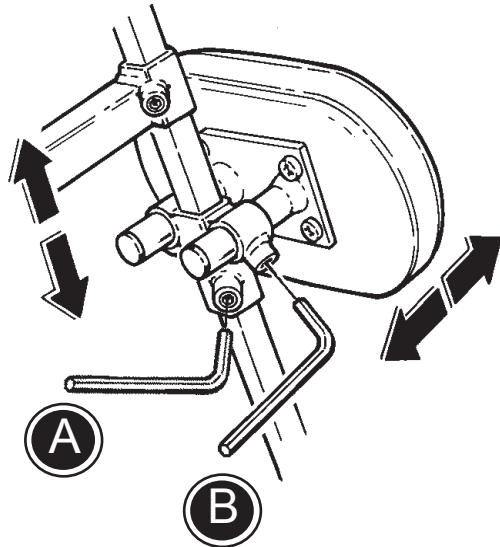
Follow the below to activate the directional stabilizers:

- 1) Place the wheel in a forward pointing position (A).
- 2) Turn the button (B) and the stabilizer activates.

Lift and turn around the button (B) to deactivate the stabilizers.




G  
B

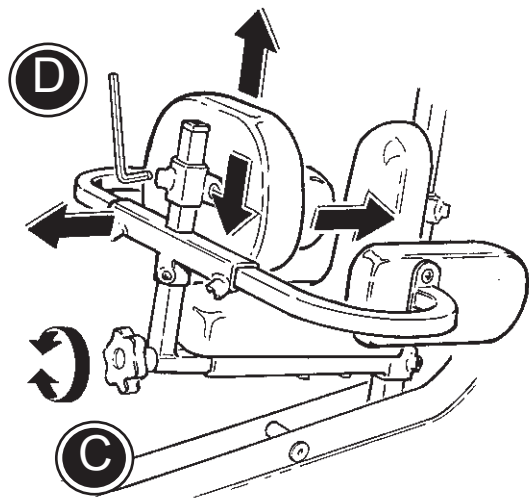


## GB ABDOMINAL PAD

Use the Allen key to height adjust the abdominal pad (A).

Use the Allen key to depth adjust the abdominal pad (B).

 The abdominal pad is only to be used on size 1+2.



## GB REAR SUPPORT

Remove or adjust the depth of the rear support by utilizing the handle behind the seat. (C)

Use the Allen key to adjust the height of the rear support. (D)

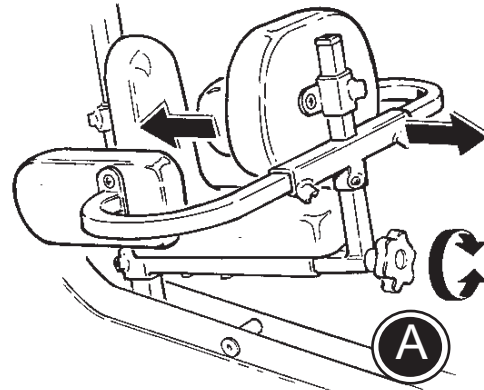
GB



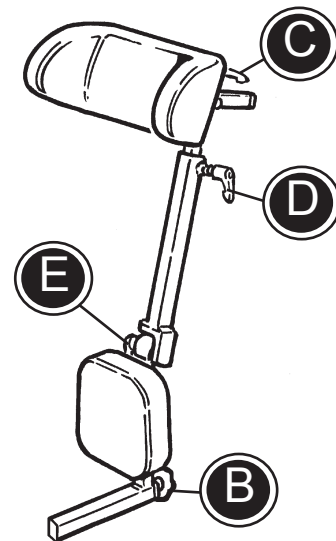
## **GB** HEAD SUPPORT

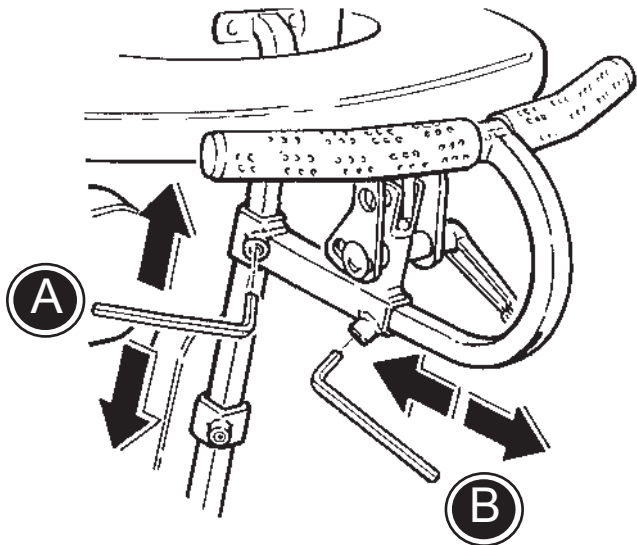
Follow the below to mount the head support correctly on the Bronco:

- 1) Loosen the screw (A) to dismount the rear support and the side supports.
- 2) Mount the head support beneath the seat and fasten the screw (B).
- 3) Loosen the handles (C), (D) and (E) to height, width and angle adjust the head support.



**!** When both head support and side supports are needed, the side supports have to be mounted on the body support bar. Please notice that Bronco size 2 can not be equipped with both head support and side supports.

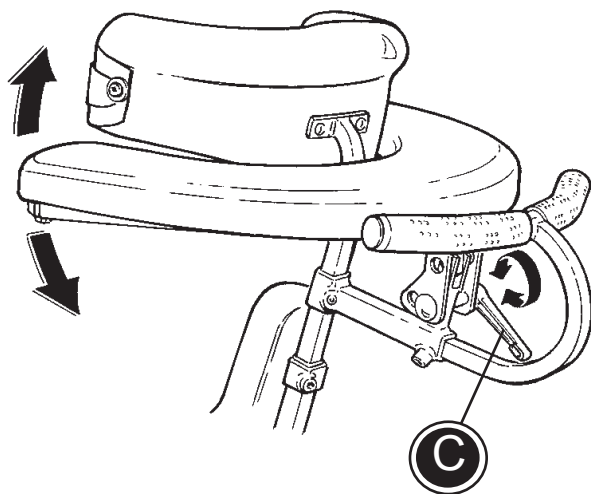




## GB HANDBRACE

Use the enclosed 6 mm Allen key (A) to height adjust the handbrace.

Depth adjustment of the handbrace is done with the 6 mm Allen key (B).



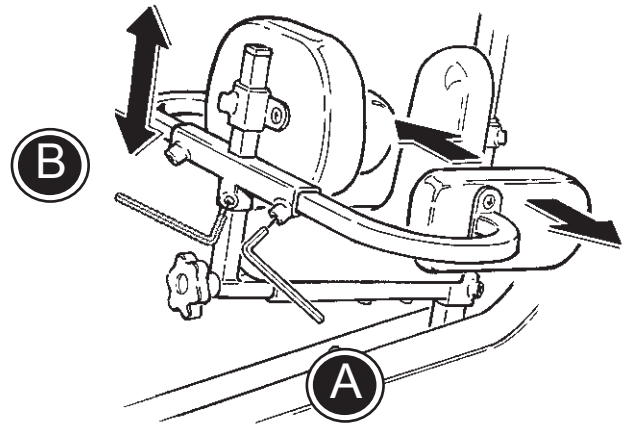
## GB ARMREST

To adjust the angle, loosen the black lever (C) below the armrest.

## **GB** SIDE SUPPORTS

The side supports are individually adjustable in width as shown. (A)

The side supports are mounted on the rear support bar. Adjust the height with the attached 6 mm Allen key. (B)

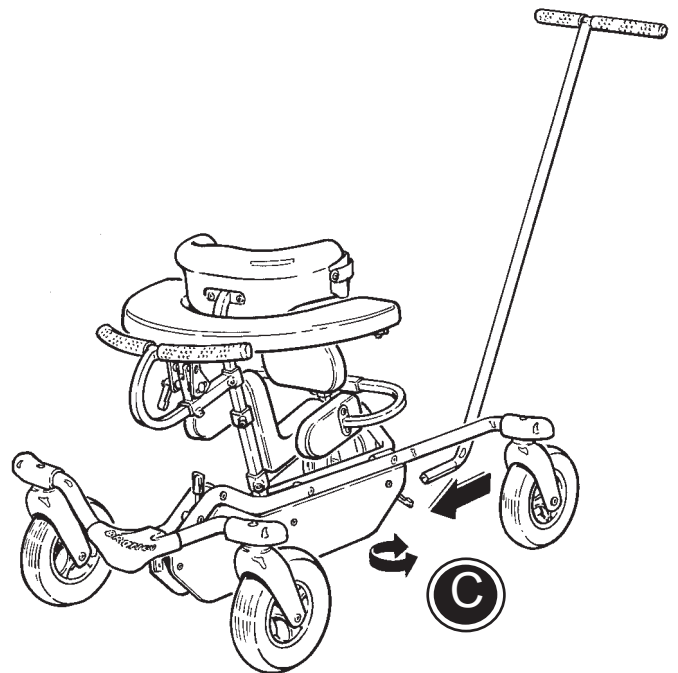


## **GB** HELPER'S HANDLE

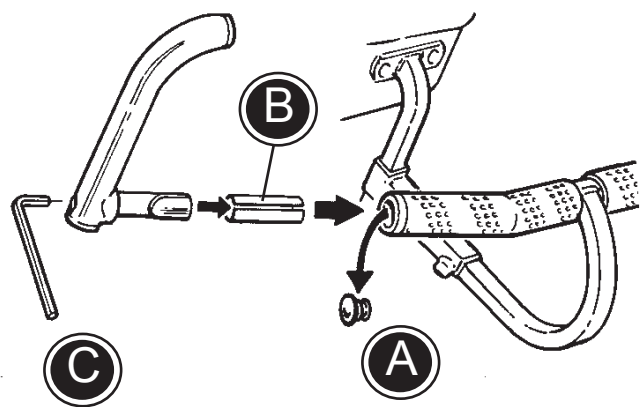
The helper's handle is mounted in the back of the Bronco, as shown (C).

Fasten with the black lever.

**!** Do not lift the Bronco by using the helper's handle.



**G  
B**



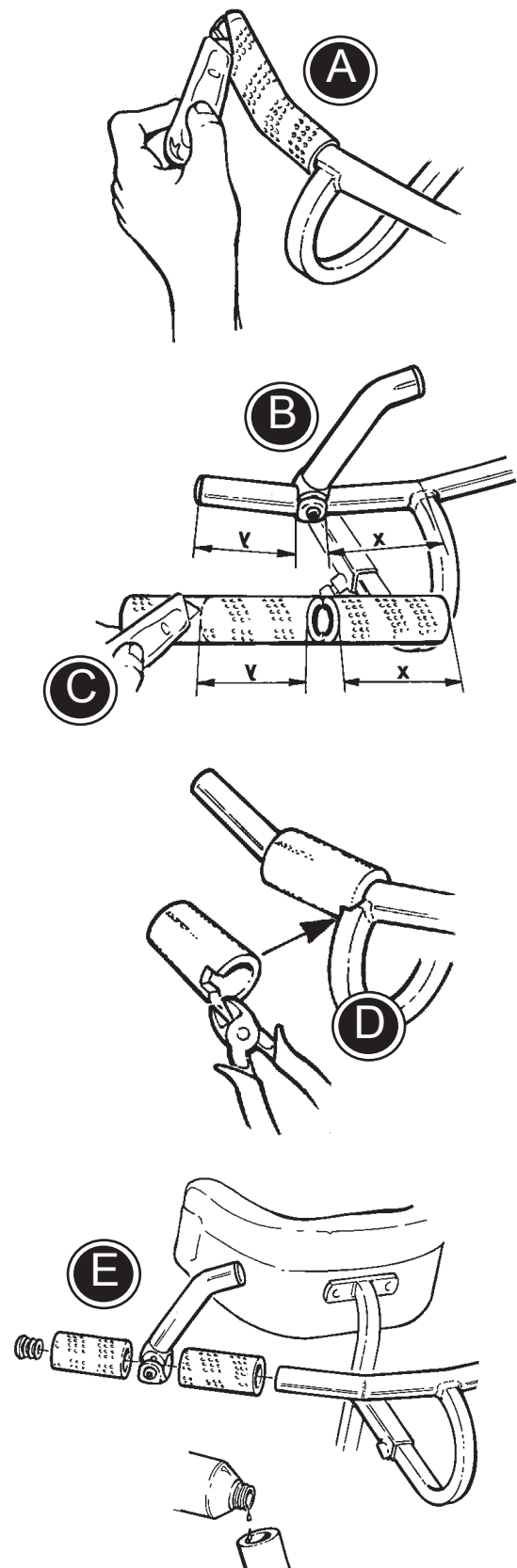
## **GB** VERTICAL HAND GRIPS, MOUNTED AT THE ENDS

Mount the vertical hand grips at the end of the hand brace in the following manner:

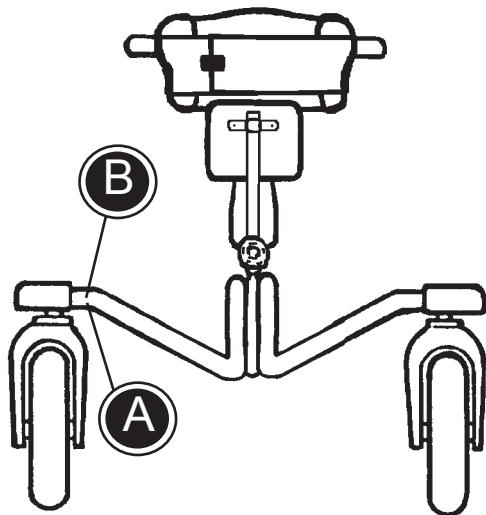
- 1) Pop out the stopper (A) with a screwdriver.
- 2) Insert the grip and the supplied bushing (B) into the hand brace at the desired angle.
- 3) Tighten with the Allen key (C).

## **GB** VERTICAL HAND GRIPS, MOUNTED IN THE MIDDLE

1. Cut the grip material (A) and remove it from the handbrace. Remove the stopper.
2. Determine placement of the hand grip (B) and take measurements to determine length of new grip material required for both sides of the hand grip. Cut grip material (C) to fit handle.
3. You can notch the grip material as shown (D) for complete coverage of the handle.
4. Mount the inside piece of the grip material. (Pouring some ethyl alcohol into the grip helps it slide onto the hand brace). Mount the hand grip (E) and tighten with the Allen key. Mount the outer grip material and replace the stopper.



**G  
B**



## **GB** PRODUCT IDENTIFICATION

### A) Serial number

The label is placed just next to the left rear wheel.

### B) Manufacturer

The label is placed just next to the left rear wheel.

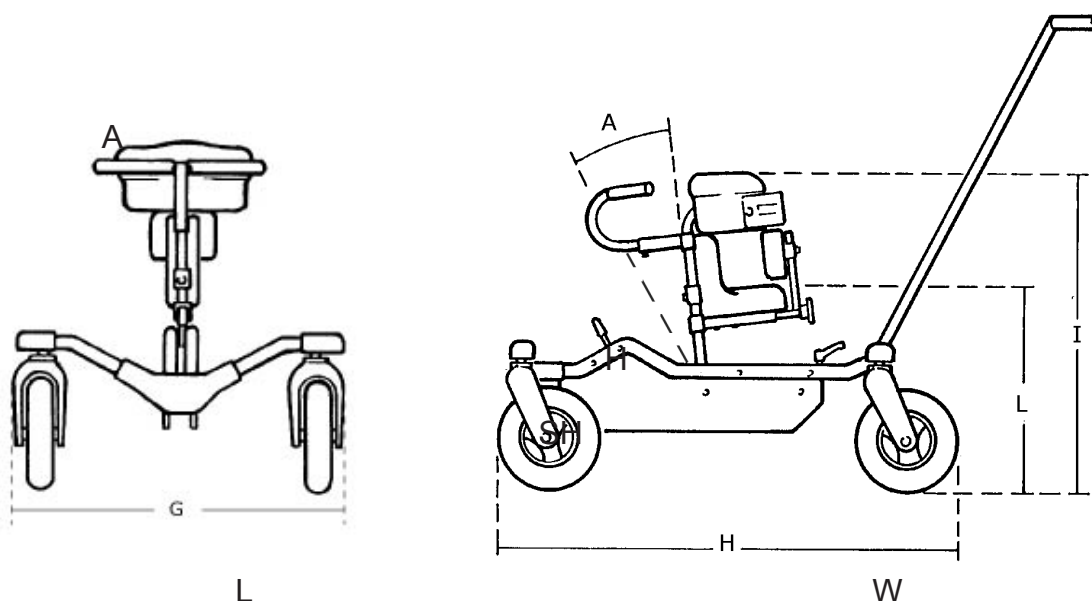
**A**



**B**



**G  
B**



## **GB** MEASUREMENTS

	Size 0	Size 1	Size 2
Seat height (L)	27-37 (10½-14½")	33-51 (12¾-20")	43-61 (16¾-23¾")
Width (G)	59 (23")	66 (25¾")	73 (28½")
Length (H)	95 (37")	107 (41¾")	125 (28¾")
Height (I)	52-64 (20½-25")	58-81 (22½-31½")	64-100 (25-39")
Angle frequency (A)	92,5°	92,5°	92,5°
Weight	12,5 kg (27,5 lb)	13,5 kg (30 lb)	15,5 kg (34 lb)
Max load	30 kg (66 lb)	40 kg (88 lb)	50 kg (110 lb)

**G  
B**

## **GB** TECHNICAL DATA

Frame: Chrome or powder lacquered steel

Upholstery: PUR (Polyurethane foam)

## **GB** PRODUCER

R82 A/S  
Parallevej 3  
8751 Gedved  
Denmark

## **GB** DISTRIBUTOR

*Please find your distributor on [www.R82.com](http://www.R82.com)*