



HEAT-N-GLO

No one builds a better fire

Heat-N-Glo, a Division of Hearth Technologies Inc.
20802 Kensington Blvd.
Lakeville, MN 55044

BW36 BW36C

WOODBURNING FIREPLACE

INSTALLATION & OPERATING

INSTRUCTIONS

FOR RESIDENTIAL USE



Model BW36 shown.

558-900-D-4/00

PLEASE RETAIN THIS MANUAL FOR FUTURE REFERENCE.

Table of Contents

A. Listings and Code Approvals.....	3
B. Description of the Fireplace System.....	3
C. Fireplace System Components	4
D. Pre-Installation Preparation	8
1. Fireplace Locations and Space Requirements.....	8
2. Framing The Fireplace	9
3. Hearth Extensions	10
4. Sidewalls/Surrounds.....	11
5. Mantel.....	11
E. Chimney Requirements	11
1. Using Offsets and Returns	12
2. Chimney Height Requirements	13
F. Step-By-Step Installation of the Fireplace System	14
G. Constructing a Chase.....	19
1. Materials For The Chase.....	19
2. Installing a Terminal Cap on a Chase-Enclosed Chimney.....	20
H. Operating Instructions	21

Safety Precautions

1. Please read these installation instructions completely before beginning installation procedures. Failure to follow them could cause a fireplace malfunction resulting in serious injury and/or property damage.
 2. Always check your local Building codes prior to installation. The installation must comply with all local, regional, state and national codes and regulations.
 3. An adequate supply of replacement combustion air from outside the house must be available to the fire for the fireplace to operate properly. To achieve this, an optional outside air kit is highly recommended.

In the event the home is unusually tight, the optional combustion air kit may not provide all the air required to support combustion. Heat-N-Glo is not responsible for any smoking or related problems that may result from the lack of adequate combustion air. It is the responsibility of the builder/contractor to ensure that adequate combustion air has been provided for the fireplace.
 4. The BW36 Series woodburning fireplace must be installed with the Hearth Technologies Inc. (HTI) SL300 Series chimney system.
- The chimney system must always terminate outside the Building. Be sure to follow all chimney specifications given in these installation instructions.
5. **NEVER** leave children unattended when there is a fire burning in the fireplace.
 6. This fireplace is built for solid fuel only. **DO NOT** use chimney cleaners or flame colorants in your fireplace.
 7. **NEVER** use gasoline, gasoline type lantern fuel, kerosene, charcoal lighter fluid, or similar liquids in this fireplace. Keep any flammable liquids a safe distance from the fireplace.
 8. The flue damper must be open at all times when the fireplace is in use.
 9. While servicing this fireplace, always shut off any electricity or gas to the fireplace. This will prevent possible electrical shock or burns. Also, make sure the unit is completely cooled before servicing.
 10. To ensure a safe fireplace system and to prevent the buildup of soot and creosote, inspect and clean the fireplace and chimney prior to use and periodically during the burning season.

A. LISTINGS AND CODE APPROVALS

The BW36 Series fireplace system has been tested and listed in accordance with the UL127 Standards, and has been listed by Underwriters Laboratories Inc. for installation and operation in the United States as described in these Installation & Operating Instructions.

The BW36 Series fireplaces have been tested and listed for use with the optional components given on page 4. These optional components may be purchased separately and installed at a later date. However, installation of an outside air kit will require significant reconstruction, and should be installed at the time of the initial fireplace installation.

Check with your local Building Code agency prior to installing this fireplace to ensure compliance with local Codes, including the need for permits and follow-up inspections. If any assistance is required during installation, please contact your local dealer or the Heat-N-Glo Technical Services Department, 20802 Kensington Blvd., Lakeville, MN 55044.

Heat-N-Glo is a Division of Hearth Technologies Inc.

WARNING!

THIS HEAT-N-GLO FIREPLACE AND ITS COMPONENTS ARE DESIGNED TO BE INSTALLED AND OPERATED AS A SYSTEM. ANY ALTERATION TO OR SUBSTITUTION FOR ITEMS IN THIS SYSTEM, UNLESS ALLOWED BY THESE INSTALLATION INSTRUCTIONS, WILL VOID THE UNDERWRITERS LABORATORIES LISTING AND MAY VOID THE PRODUCT WARRANTY. IT MAY ALSO CREATE A HAZARDOUS INSTALLATION.

READ THROUGH THESE INSTRUCTIONS THOROUGHLY BEFORE STARTING YOUR INSTALLATION AND FOLLOW THEM CAREFULLY THROUGHOUT YOUR PROJECT!

B. DESCRIPTION OF THE FIREPLACE SYSTEM

The HEAT-N-GLO fireplace system consists of the following:

1. Fireplace/Integral Grate
2. Hearth Extension
3. Chimney System
4. Chimney Termination Cap

Optional components include:

1. Glass Doors
2. Outside Combustion Air System
3. Heat Circulating Fans

NOTE: Illustrations throughout these instructions reflect "typical installations" and are for design purposes only. Actual installation may vary slightly due to individual design preferences. However, minimum and maximum clearances must be maintained at all times.

The illustrations and diagrams used throughout these installation instructions are not drawn to scale.

Tools and Building Supplies Normally Required:

Tools

Saw
Pliers
Hammer
Phillips Screwdriver
Tape Measure
Plumb Line
Level
Electric Drill and Bits
Framing Square

Building Supplies

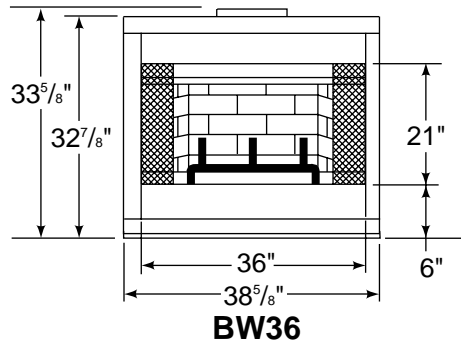
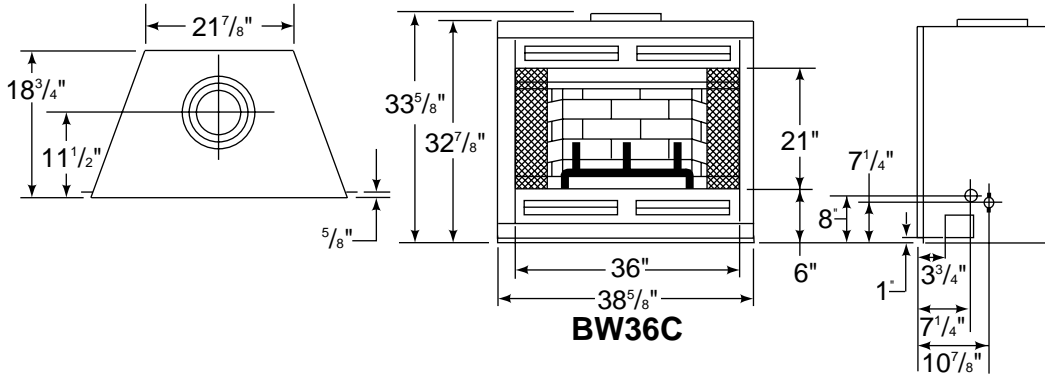
Hearth Extension Material
Wall-finishing Materials
Framing Material
Fireplace Surround
Caulking Material

C. FIREPLACE SYSTEM COMPONENTS

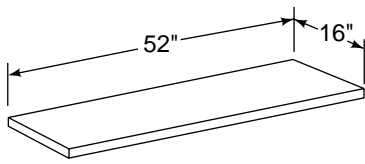
The table below, together with the following pictures, show only those components which may be safely used with this fireplace.

HTI Catalog #	Description
BW36*	Radiant Fireplace, includes integral grate and hearth protection strips
BW36C*	Heat Circulating Fireplace, includes integral grate and hearth protection strips
HX3	Hearth Extension
DM1036	Glass Doors - Original Series, Black
DM1036A	Glass Doors - Original Series, Brushed Brass Finish
DM1036B	Glass Doors - Original Series, Polished Brass Finish
GR16	Integral Grate (included with Fireplace)
AK22	Outside Air Kit
FK22	Fan Kit with electrical junction box (BW36C ONLY)
BC10	Fan motor rheostat control
JK9	Electrical Junction Box (BW36C ONLY)
ID4	Insulated Duct/Outside Air
UD4	Uninsulated Duct/Outside Air
SL306	Chimney Section - 6" long
SL312	Chimney Section - 12" long
SL318	Chimney Section - 18" long
SL324	Chimney Section - 24" long
SL336	Chimney Section - 36" long
SL348	Chimney Section - 48" long
SL3	Chimney Stabilizer
SL315	Chimney Offset/Return - 15°
SL330	Chimney Offset/Return - 30°
FS338	Firestop - Straight
FS339	Firestop - 15°
FS340	Firestop - 30°
AS8	SL300 Straight Attic Insulation Shield, 24"
JB877	Chimney Joint Band
CB876	Chimney Bracket
RF370	Roof Flashing - Flat to 6/12 Pitch
RF371	Roof Flashing - 6/12 to 12/12 Pitch
TR342	Telescoping Chimney Terminal Cap - Round
TR344	Chimney Terminal Cap - Round (Storm collar included)
ST375	Chimney Terminal Cap - Square
TS345	Chimney Terminal Cap - Square
TS345P	Chimney Terminal Cap - Square (Painted)
CT35	Chase Top
LDS33	Decorative Shroud - 3' x 3'
LDS46	Decorative Shroud - 4' x 6'

*Heat-N-Glo Part Number

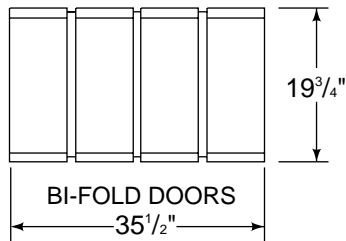


HEARTH EXTENSIONS



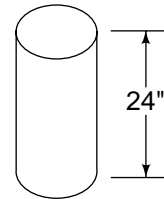
HX3

GLASS DOORS



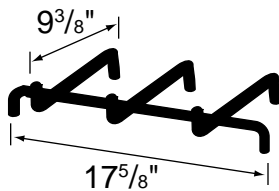
DM1036

STRAIGHT ATTIC INSULATION SHIELD



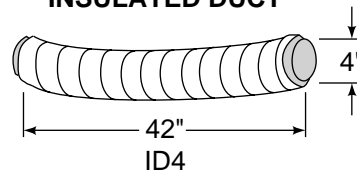
AS8

INTEGRAL GRATES

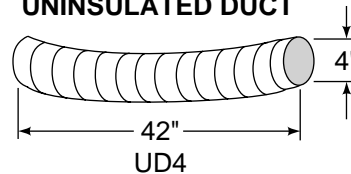


GR16

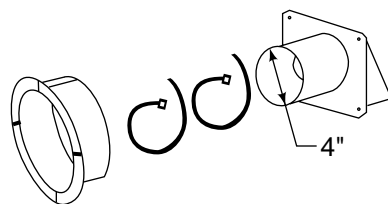
INSULATED DUCT



UNINSULATED DUCT

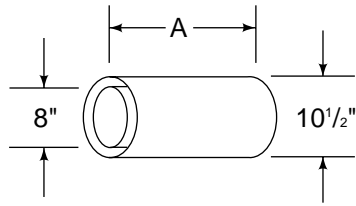


OUTSIDE AIR KIT



AK22

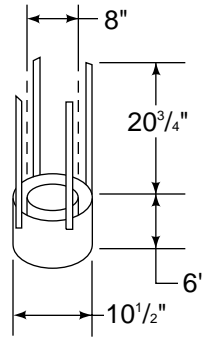
CHIMNEY SECTIONS



HTI CAT.#	A	B
SL306	6"	4 ³ / ₄ "
SL312	12"	10 ³ / ₄ "
SL318	18"	16 ³ / ₄ "
SL324	24"	22 ³ / ₄ "
SL336	36"	34 ³ / ₄ "
SL348	48"	46 ³ / ₄ "

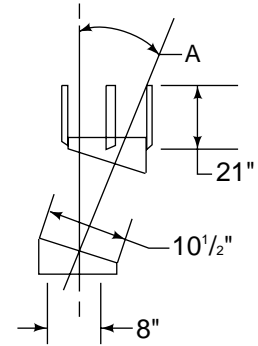
A= Actual length
B= Effective length (length of chimney part after it has been snapped to another)

CHIMNEY STABILIZER



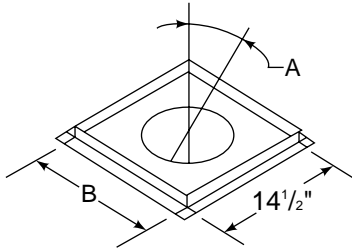
SL3

OFFSETS/RETURNS



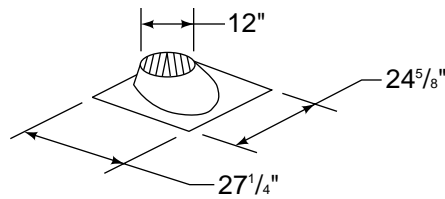
HTI CAT.#	A
SL315	15°
SL330	30°

FIRESTOP SPACERS

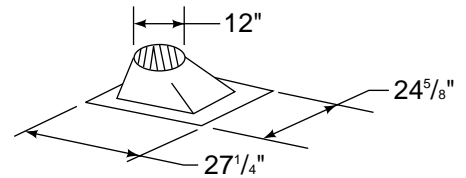


HTI CAT.#	A	B
FS338	0°	14 ¹ / ₂ "
FS339	15°	18 ³ / ₈ "
FS340	30°	23"

ROOF FLASHING

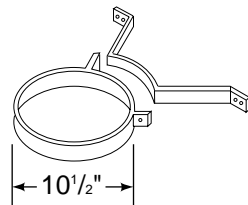


Flat to 6/12 Pitch
RF370



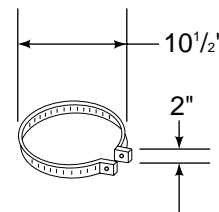
6/12 to 12/12 Pitch
RF371

CHIMNEY BRACKET



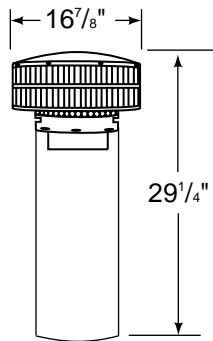
CB876

JOINT BAND

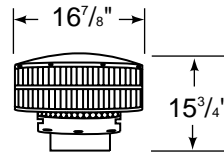


JB877

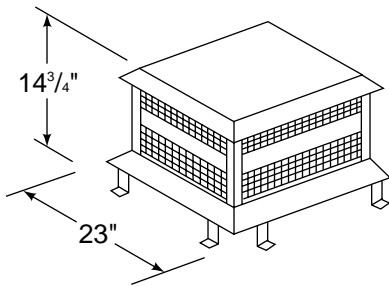
CHIMNEY TERMINAL CAPS & VENT SECTIONS



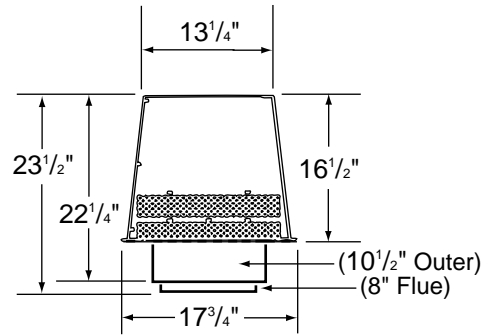
**TR342
ROUND TERMINAL CAP**



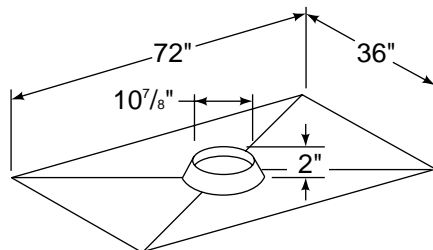
**TR344
ROUND TERMINAL CAP
WITH STORM COLLAR**



**ST375
SQUARE TERMINAL CAP**



**TS345/TS345P
SQUARE TERMINAL CAP**



**CT35
CHASE TOP**

D. PRE-INSTALLATION PREPARATION

1. FIREPLACE LOCATIONS AND SPACE REQUIREMENTS.

Several options are available to you when choosing a location for your fireplace. This fireplace may be used as a room divider, installed along a wall, across a corner or use an exterior chase. See Figure 1.

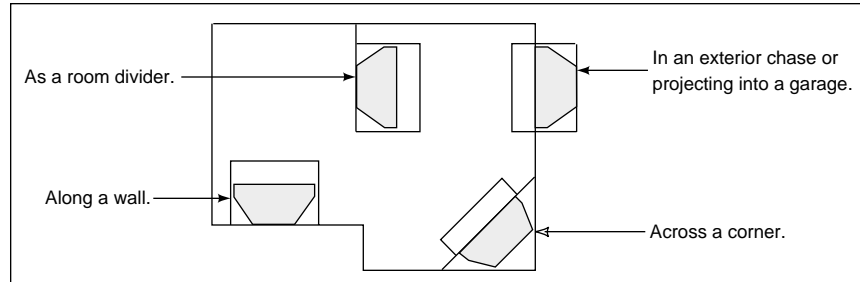


Figure 1
Fireplace Locations

Figures 2 and 3 show two typical installations assuming an outside air kit is being used. Therefore, an allowance must be made for 90° bends. Less space is required when ducting goes directly outside without forming elbows.

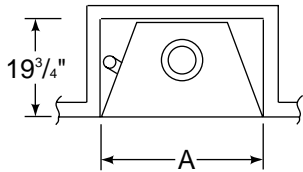


Figure 2
Installation along a wall or an exterior chase.

WITHOUT OUTSIDE AIR

CAT. #	A
BW36	39 ⁵ / ₈ "
BW36C	39 ⁵ / ₈ "

WITH OUTSIDE AIR

CAT. #	A
BW36	39 ⁵ / ₈ "
BW36C	39 ⁵ / ₈ "

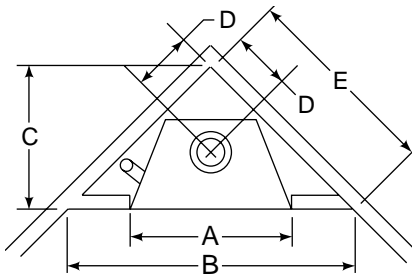


Figure 3
Corner Installation

WITH OR WITHOUT OUTSIDE AIR

CAT. #	A	B	C	D	E
BW36	39 ⁵ / ₈ "	62 ¹ / ₄ "	31"	13 ⁷ / ₈ "	44"
BW36C	39 ⁵ / ₈ "	62 ¹ / ₄ "	31"	13 ⁷ / ₈ "	44"

* A minimum of 1" air clearance must be maintained between the firebox and wall.

WARNING!

DO NOT DRAW OUTSIDE AIR FROM GARAGE SPACES. EXHAUST PRODUCTS OF GASOLINE ENGINES ARE HAZARDOUS.

DO NOT INSTALL OUTSIDE AIR DUCTS SUCH THAT THE AIR MAY BE DRAWN FROM ATTIC SPACES, BASEMENTS OR ABOVE THE ROOF WHERE OTHER HEATING APPLIANCES OR FANS AND CHIMNEYS EXHAUST OR UTILIZE AIR. THESE PRECAUTIONS WILL REDUCE THE POSSIBILITY FOR SMOKING OR FLOW REVERSAL.

WARNING!
TO PREVENT CONTACT WITH SAGGING OR LOOSE INSULATION, THE FIREPLACE MUST NOT BE INSTALLED AGAINST VAPOR BARRIERS OR EXPOSED INSULATION. LOCALIZED OVERHEATING COULD OCCUR AND A FIRE COULD RESULT.

2. FRAMING THE FIREPLACE.

Figure 4 shows a typical framing (using 2 x 4 lumber) of the fireplace, assuming combustible materials are used. All required clearances to combustibles around the fireplace must be adhered to. Any framing across the top of the fireplace must be above the level of the hemmed edge along the top of the firebox assembly. Vertical framing at the side of the firebox assembly to which the side nailing flanges are attached must be

perpendicular to the face of the fireplace and may have point contact with the side of the fireplace at the nailing flange. A 1" air clearance must be maintained at the back and sides of the firebox assembly. Chimney Sections **at any level** require a two inch minimum air space clearance between the framing and chimney section.

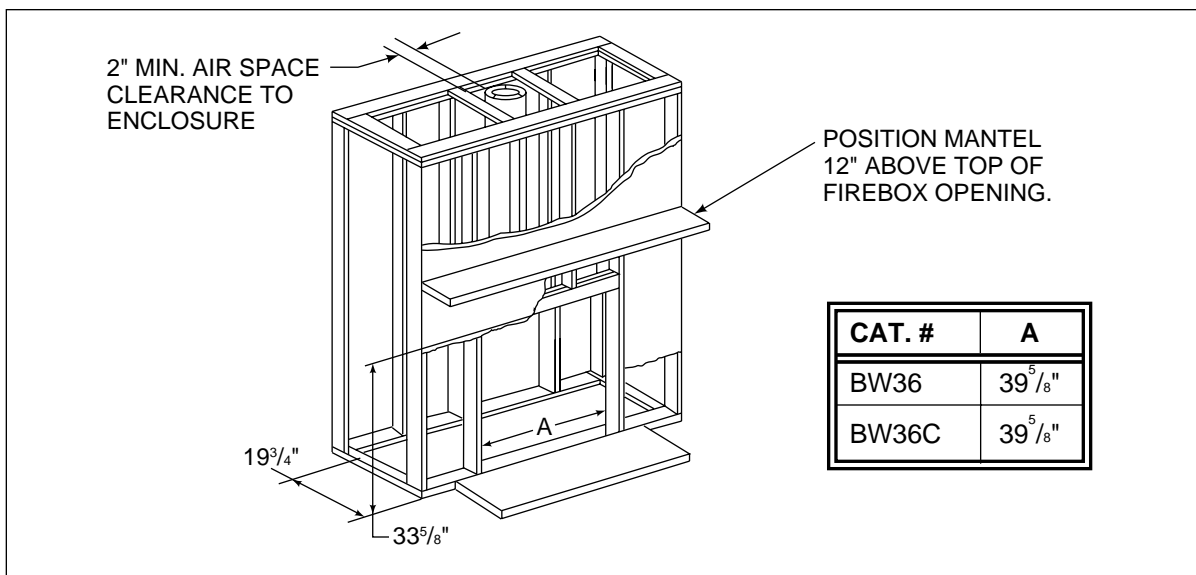


Figure 4
Framing the Fireplace

Combustible Material. Material made of or surfaced with wood, compressed paper, plant fibers, plastics, or any material capable of igniting and burning, whether flame proofed or not, plastered or unplastered.

Non-combustible Material. Material which will not ignite and burn. Such materials are those consisting entirely of steel, iron, brick, tile, concrete, slate, glass or plasters, or combination thereof.

Non-combustible Sealant Material. Sealants that

will not ignite and burn; General Electric RTV103Black, or equivalent. Rutland, Inc. Fireplace Mortar #63, or equivalent.

After completing the framing and applying the facing material (dry wall) over the framing, a non-combustible sealant, one-half inch wide maximum, must be used to close off any gaps at the top and sides between the fireplace and facing to prevent cold air leaks.

Only non-combustible materials may be used to cover the black metal fireplace front.

WARNING!
DO NOT APPLY FINISHING MATERIALS OVER THE BOTTOM AIR INLET SLOTS NEAR THE GLASS DOOR OPENING ON THE FACE OF THESE FIREPLACES. THIS WILL BLOCK THE FLOW OF COOLING AIR AND MAY CAUSE DANGEROUSLY HIGH TEMPERATURES ON COMBUSTIBLE SURFACES OR ON THE FIREPLACE ITSELF.

3. HEARTH EXTENSIONS.

A hearth extension must be installed with all fireplaces. It is to protect the combustible floor in front of the fireplace from both radiant heat and sparks.

The construction of and materials used for a factory-built hearth extension are shown in Figure 5.

A hearth extension of this construction may be covered with any non-combustible decorative material and may have a maximum thickness of 6" for the BW36 and 3" for the BW36C. Seal gaps between the hearth extension and the front of the fireplace with a non-combustible sealant.

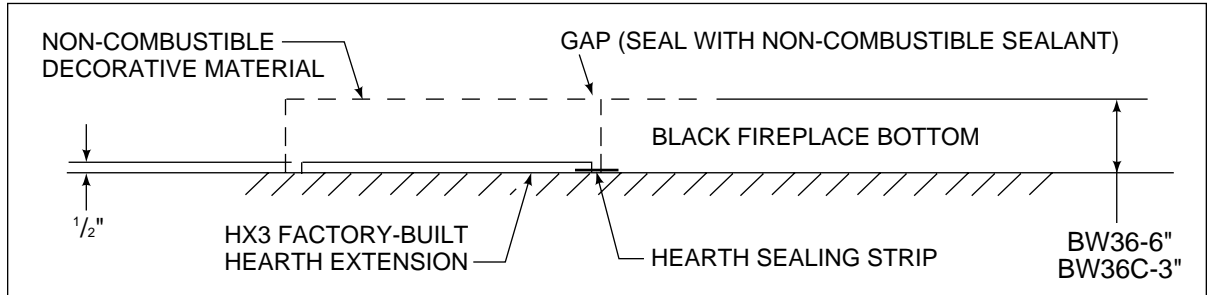


Figure 5
Factory-Built Hearth Extension

Field constructed Hearth Extensions should be constructed in accordance with the minimum dimensions provided in Figure 6.

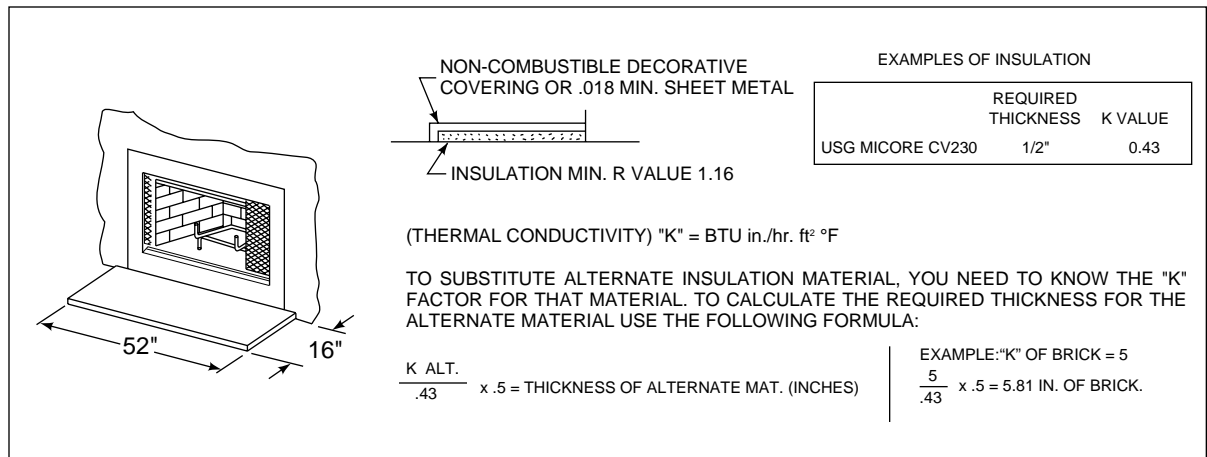


Figure 6
Hearth Extension

WARNING!

HEARTH EXTENSIONS ARE TO BE INSTALLED ONLY AS ILLUSTRATED TO PREVENT HIGH TEMPERATURES FROM OCCURRING ON CONCEALED COMBUSTIBLE MATERIALS. HEARTH SEALING STRIPS PREVENT BURNING OR HOT PARTICLES FROM INADVERTENTLY FALLING DIRECTLY ON COMBUSTIBLE SURFACES IN THE EVENT THE BUILDING SHOULD SETTLE AND DISTURB THE ORIGINAL CONSTRUCTION.

4. SIDEWALLS/SURROUNDS.

Adjacent combustible side walls must be located a minimum of 12" from the fireplace opening. See Figure 7. If you are using a decorative surround constructed of combustible material, it may be located within the shaded area defined in Figure 7. Short stub walls are also acceptable if they are contained within the shaded area.

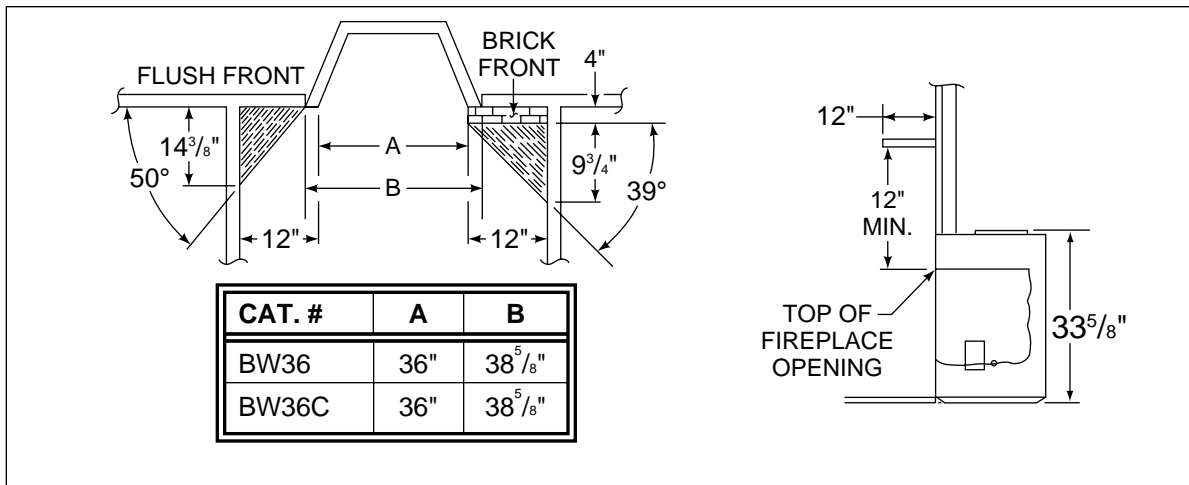


Figure 7
Sidewalls/Surrounds

5. MANTEL.

A combustible mantel may be positioned no lower than 12" above the top of the firebox opening. The combustible mantel may have a maximum depth of 12". Combustible trim materials, projecting no more than 1 1/2" from the face of the fireplace, can be placed no closer than 6" from the top and side of the

firebox opening. (See the shaded areas on each side of the firebox, as defined in Figure 7). Combustible trim must not cover the black metal surfaces of the fireplace. This mantel clearance is in accordance with Section 7-3.3.3 of ANSI/NFPA 211.

E. CHIMNEY REQUIREMENTS

When planning your fireplace location, the chimney construction and necessary clearances must be considered. The fireplace system and chimney components have been tested to provide the following flexibility in construction. The following figures are the minimum distances from the base of the unit.

Minimum overall straight height	14.5 ft.
Minimum height with Offset/Return	14.5 ft.
Maximum height	90 ft.
Maximum chimney length between an Offset/Return	12 ft.
Maximum distance between Chimney Stabilizers	35 ft.
Double Offset/Return minimum height	20 ft.
Maximum unsupported chimney length between Offset/Return	6 ft.
Maximum straight unsupported chimney height above firebox	25 ft.

1. USING OFFSETS AND RETURNS.

To bypass any overhead obstructions, the chimney may be offset using a 15° offset/return (SL315) or a 30° offset/return (SL330). Perform the following steps to determine the correct chimney component combination for your particular installation.

An offset and return may be attached together or a chimney section(s) may be used between an offset and return. However, the distance between two

elbows must never exceed 12 feet in total length.

- a. Measure how far the chimney needs to be shifted to enable it to avoid the overhead obstacle. See Figure 8, dimension "A".
- b. After determining the offset dimension, refer to Table 1 (page 13) and find the "A" dimension closest to **but not less than** the distance of shift needed for your installation.

- c. The "B" dimensions that coincide with the "A" dimensions represent the required vertical clearance that is needed to complete the offset and return.
- d. Read across the chart and find the number of chimney sections required and the model number of those particular chimney parts.
- e. Whenever the chimney penetrates a floor/ceiling, a firestop spacer must be installed.
- f. The effective height of the firebox assembly is 33".

Example: Your "A" dimension from Figure 8 is 14½". Using Table 1, the dimension closest to but not less than 14½" is 14¾" using a 30° offset/return. It is then determined from the table that you would need 33" (Dimension "B") between the offset and return. The chimney components that best fit your application are two [2] SL312's.

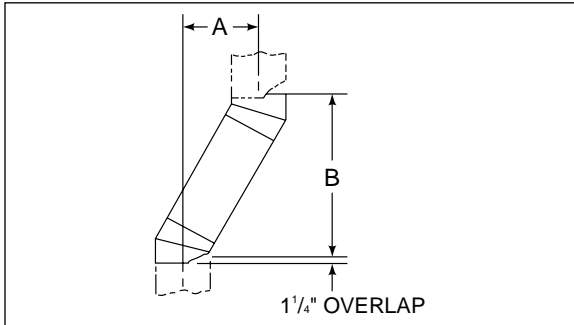


Figure 8
Chimney Offset/Return

WARNING!

DO NOT COMBINE OFFSETS TO CREATE AN OFFSET GREATER THAN 30° FROM VERTICAL. THIS MAY CREATE A FIRE HAZARD SINCE THE NATURAL DRAFT MAY BE RESTRICTED.

Offset Chart* **TABLE 1**

15°		30°		SL306	SL312	SL318	SL324	SL336	SL348
A	B	A	B						
15 ⁵ / ₈ "	13 ³ / ₈ "	37 ⁷ / ₈ "	141 ¹ / ₂ "	—	—	—	—	—	—
27 ⁷ / ₈ "	17 ³ / ₄ "	61 ¹ / ₄ "	18 ⁵ / ₈ "	1"	—	—	—	—	—
—	—	8 ⁵ / ₈ "	22 ³ / ₄ "	2"	—	—	—	—	—
41 ¹ / ₂ "	23 ⁵ / ₈ "	91 ¹ / ₄ "	23 ³ / ₄ "	—	1"	—	—	—	—
—	—	11 ⁵ / ₈ "	277 ⁷ / ₈ "	1"	1"	—	—	—	—
6"	29 ³ / ₈ "	121 ¹ / ₄ "	29"	—	—	1"	—	—	—
71 ¹ / ₄ "	34"	14 ⁵ / ₈ "	33"	—	2"	—	—	—	—
—	—	151 ¹ / ₄ "	341 ¹ / ₈ "	—	—	—	1"	—	—
—	—	17 ⁵ / ₈ "	381 ¹ / ₄ "	1"	—	—	1"	—	—
—	—	20 ⁵ / ₈ "	431 ¹ / ₂ "	—	—	2"	—	—	—
10 ⁵ / ₈ "	46 ³ / ₄ "	211 ¹ / ₄ "	44 ⁵ / ₈ "	—	—	—	—	1"	—
117 ⁷ / ₈ "	51 ³ / ₈ "	23 ⁵ / ₈ "	48 ³ / ₄ "	1"	—	—	—	1"	—
—	—	26 ⁵ / ₈ "	537 ⁷ / ₈ "	—	—	—	2"	—	—
13 ³ / ₄ "	58 ³ / ₈ "	271 ¹ / ₄ "	55 ³ / ₄ "	—	—	—	—	—	1"
15"	63"	29 ⁵ / ₈ "	59"	1"	—	—	—	—	1"
161 ¹ / ₂ "	68 ³ / ₄ "	32 ⁵ / ₈ "	641 ¹ / ₄ "	—	1"	—	—	—	1"
18"	74 ⁵ / ₈ "	35 ⁵ / ₈ "	691 ¹ / ₂ "	—	—	1"	—	—	1"
—	—	38 ⁵ / ₈ "	74 ⁵ / ₈ "	—	—	—	1"	—	1"
—	—	41"	78 ³ / ₄ "	1"	—	—	1"	—	1"
22 ³ / ₄ "	917 ⁷ / ₈ "	44 ⁵ / ₈ "	85"	—	—	—	—	1"	1"
24"	961 ¹ / ₂ "	47"	891 ¹ / ₈ "	1"	—	—	—	1"	1"
257 ⁷ / ₈ "	1031 ¹ / ₂ "	50 ⁵ / ₈ "	951 ¹ / ₂ "	—	—	—	—	—	2"

*Proper assembly of air cooled chimney parts result in an overlap at chimney joints of 11/4". Effective length is built into this chart.

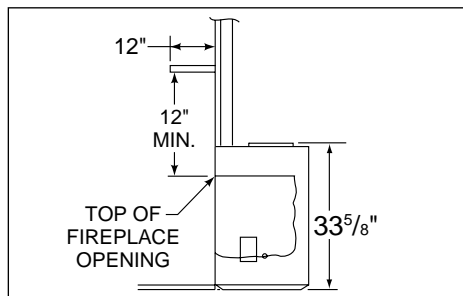


Figure 8a - Fireplace (Side View)

**2. CHIMNEY HEIGHT REQUIREMENTS.
(Above the roof line)**

Major building codes specify a minimum chimney height above the roof top. These specifications are summarized in what is known as the "Ten Foot Rule". This rule states: If the horizontal distance from the side of the chimney to the peak of the roof is 10 feet or less, the top of the chimney must be at least 2 feet above the peak of the roof, but never less than 3 feet in overall height above the highest point where it passes through the roof. See Figure 9.

If the horizontal distance from the side of the chimney to the peak of the roof is more than 10 feet, a chimney height reference point is established on the surface of the roof a distance of 10 feet from the side of the chimney in a horizontal plane. The top of the chimney must be at least 2 feet above this reference point, but never less than 3 feet in height above the highest point where it passes through the roof.

These chimney heights are necessary in the interest of safety and do not ensure smoke-free operation. Trees, buildings, adjoining roof lines, adverse wind conditions, etc., may create a need for a taller chimney should smoking occur.

DETERMINING THE NUMBER OF CHIMNEY SECTIONS REQUIRED.

To determine the chimney components needed to complete your particular installation, follow the below steps:

1. Determine the total vertical height of the fireplace installation. This dimension is measured from the base of the firebox assembly to the point where the smoke exits the terminal cap.
2. Subtract the height of the firebox assembly (33⁵/₈"") from the overall height of the fireplace installation.
3. Reference the below chart to determine what components must be selected to complete the fireplace installation.
4. Determine the number of firestop spacers, stabilizers, roof flashing, etc. required to complete the fireplace installation.

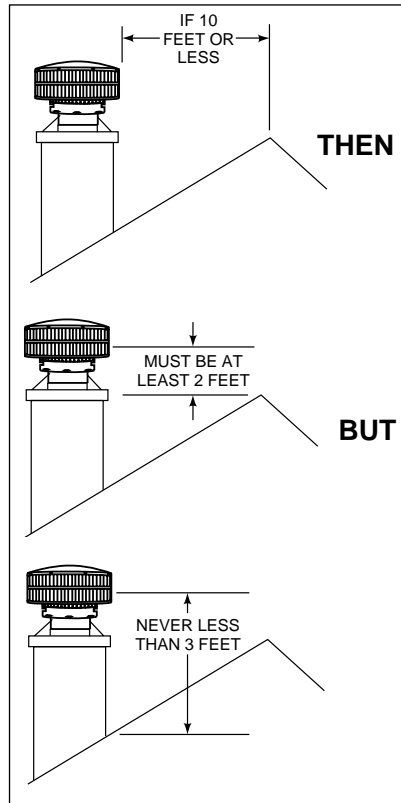


Figure 9
Chimney Height

Height of Chimney Components	
Chimney Stabilizer	
SL3	4 ³ / ₄ "
Firestop Spacers	
FS338	0
FS339	0
FS340	0
Offset/Returns	
SL315	13 ³ / ₈ "
SL330	14 ¹ / ₂ "
Roof Flashing	
RF370	0
RF371	0
Chimney Sections*	
SL306	4 ³ / ₄ "
SL312	10 ³ / ₄ "
SL318	16 ³ / ₄ "
SL324	22 ³ / ₄ "
SL336	34 ³ / ₄ "
SL348	46 ³ / ₄ "

*Dimensions reflect effective height.

F. STEP-BY-STEP INSTALLATION OF THE FIREPLACE SYSTEM

WARNING!

BEFORE STARTING, DO THE FOLLOWING:

- 1. WEAR GLOVES AND SAFETY GLASSES FOR PROTECTION.**
- 2. KEEP HAND TOOLS IN GOOD CONDITION. SHARPEN CUTTING EDGES AND MAKE SURE TOOL HANDLES ARE SECURE.**
- 3. ALWAYS MAINTAIN THE MINIMUM AIR SPACE REQUIRED TO THE ENCLOSURE TO PREVENT FIRE.**

STEP 1 - Positioning the Fireplace.

This fireplace may be placed on either a combustible or non-combustible continuous surface. Follow the instructions for framing on page 9. Be sure to provide the minimum 1" air clearance at the sides and back of the firebox assembly. Framing that is perpendicular to the fireplace front may contact the side of the firebox assembly at the nailing flanges.

STEP 2 - Placing the Protective Metal Hearth Strips.

Included with your fireplace are two metal hearth strips measuring approximately 26" x 4". These strips are used to provide added protection where the fireplace and hearth extension meet.

Slide the metal strips two inches under the front edge of the fireplace with the 2 pieces overlapping other in the middle of the fireplace to provide continuous coverage of the floor. See Figure 10.

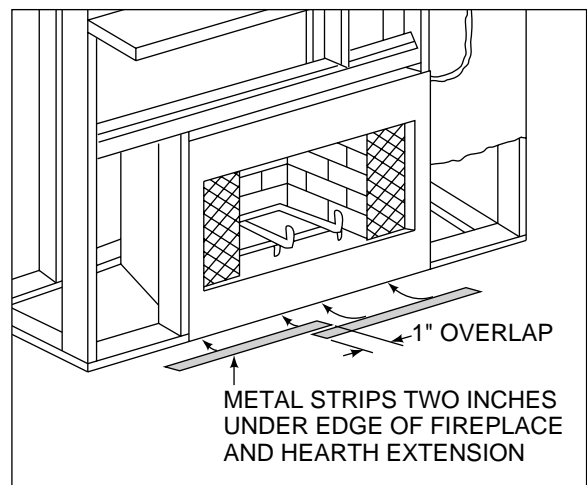


Figure 10
Positioning the Metal Strips

STEP 3 - Leveling the Fireplace.

Level the fireplace side-to-side and front-to-back. Shim with non-combustible material, such as sheet metal, as necessary.

Important: To ensure proper fit of the glass doors, check the firebox opening for squareness. Measure diagonal distances of the opening to make sure they are equal. If they do not equal, continue to shim the firebox until those diagonals correspond.

Secure the fireplace by utilizing the nailing tabs located on either side of the fireplace to the vertical framing. Hold-down tabs are provided at the base of the firebox assembly for attachment to the subfloor if desired.

NOTE: Top Header may be positioned on the hemmed seam across the top of the firebox assembly.

WARNING!

CAREFULLY FOLLOW THE INSTRUCTIONS FOR ASSEMBLY OF THE PIPE AND OTHER PARTS NEEDED TO INSTALL THIS FIREPLACE SYSTEM. FAILURE TO DO SO MAY RESULT IN A FIRE, ESPECIALLY IF COMBUSTIBLES ARE TOO CLOSE TO THE FIREPLACE OR CHIMNEY AND AIR SPACES ARE BLOCKED PREVENTING THE FREE MOVEMENT OF COOLING AIR.

STEP 4 - Assembling Chimney Sections.

Attach either a straight chimney section or an offset to the top of the fireplace depending on your installation requirement. When using offsets and returns, we highly recommend securing in place on the top of the fireplace with screws to permanently attach them to the top of the fireplace. See Figure 11.

When using elbows right off of the top of the unit, you will need to flatten the lances before you slip it on the collar. Once it is on, line it up and secure it with screws to the unit collar through the slots in the elbow.

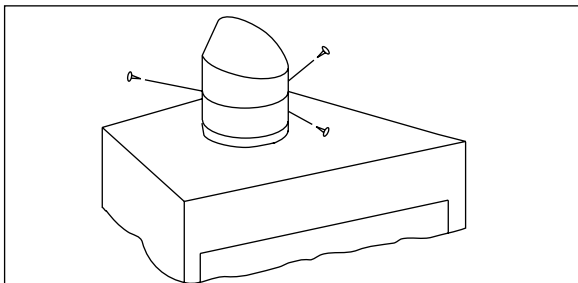


Figure 11
Offset Secured to Fireplace

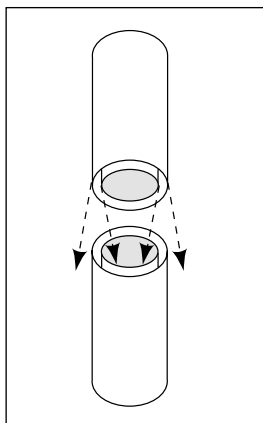


Figure 12
Connecting Chimney Sections

NOTE: The inner flue is placed to the inside of the flue section below it. The outer casing is placed outside the outer casing of the chimney section below it. See Figure 12.

STEP 5 - Preparing the Ceiling for Firestop Spacers.

Mark and cut out an opening in the ceiling for the particular firestop spacer being utilized (14½" x 14½" for an FS338, 14½" x 18¾" for an FS339, or 14½" x 23" for an FS340). Frame the opening with the same dimension lumber used in the ceiling joists.

STEP 6 - Installing the Firestop Spacers.

Install the firestop spacer FS338 (Straight), FS339 (if a 15° offset located is in the ceiling joist area) or FS340 (if a 30° offset is located in the ceiling joist area). Nail the four [4] sides of the firestop spacer to the joists using a minimum of three [3] nails per side.

CAUTION:

INNER FLUE AND OUTER LINER SECTIONS CANNOT BE DISASSEMBLED ONCE LOCKED TOGETHER. PLAN AHEAD TO INSURE THE PROPER INSTALLATION HEIGHT IS ACHIEVED WITH THE SELECTED CHIMNEY COMPONENTS.

These firestop spacers are designed to provide the minimum two inch air space required around the chimney. In all situations, the firestop spacers are to be nailed to the ceiling joists from the bottom or fireplace side, **EXCEPT** when the space above is an insulated ceiling or attic space. In this situation, the firestop spacer must be nailed from the top side to prevent loose insulation from falling into the required two inch air space around the chimney.

Firestop spacers must be used whenever the chimney penetrates a ceiling/floor area.

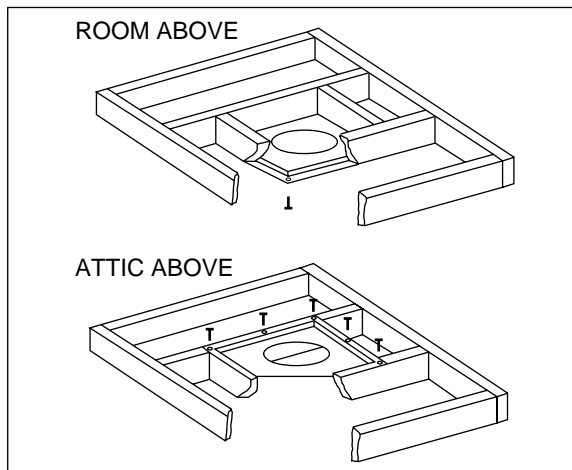


Figure 13
Installing the Firestop Spacer

STEP 7 - Installing an AS8 insulation shield

An AS8 insulation shield should be installed when there is a possibility of insulation coming into contact with the factory-built chimney system. The AS8 is installed by positioning it over the vertical chimney section where it penetrates an FS338 firestop spacer. The FS338 will support the AS8. See Figure 14 on page 16. When the factory-built chimney penetrates an insulated ceiling at either 15 or 30 degrees from vertical, an insulation dam should be constructed from plywood or sheet metal. A minimum 2" air space must be provided between the insulation dam and the factory-built chimney system.

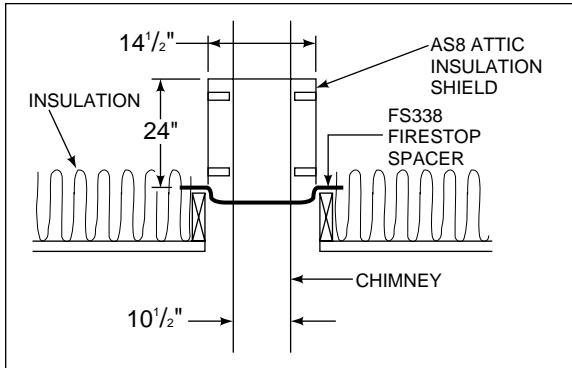


Figure 14
Installing an AS8

STEP 8 - Double-checking the Chimney Assembly.

Continue assembling the chimney sections up through the firestop spacers as needed. While doing so, be aware of the height and unsupported chimney length limitations that are given on page 11 under “Chimney Requirements”.

Check each section by pulling up slightly from the top to ensure proper engagement before installing the succeeding sections. If they have been connected correctly, they will not disengage when tested.

STEP 9 - Securing the Chimney System.

When offsets and returns are joined to straight pipe sections, they must be locked into position with the screws provided, using the predrilled holes. To prevent gravity from pulling the chimney sections apart, the returns and the chimney stabilizers have straps for securing these parts to joists or rafters.

See Figure 15.

NOTE: Be sure to provide support for the pipe during construction and check to be sure inadvertent loading has not dislodged the chimney section from the fireplace or at any chimney joint.

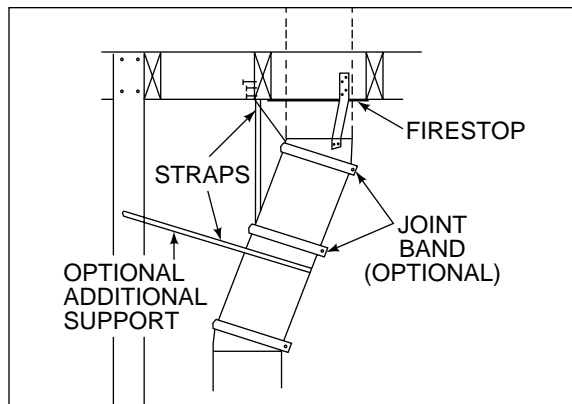


Figure 15 - Offset/Return with Stabilizer

WARNING!

WHEN CHIMNEY SECTIONS EXCEEDING SIX FEET IN LENGTH ARE INSTALLED BETWEEN AN OFFSET/RETURN, STRUCTURAL SUPPORT MUST BE PROVIDED TO REDUCE OFF-CENTER LOADING AND PREVENT CHIMNEY SECTIONS FROM SEPARATING AT THE CHIMNEY JOINTS.

STEP 10 - Marking the Exit Point of the Roof.

Locate the point where the chimney will exit the roof by plumbing down to the center of the chimney. Drive a nail up through the roof to mark the center. See Figure 16.

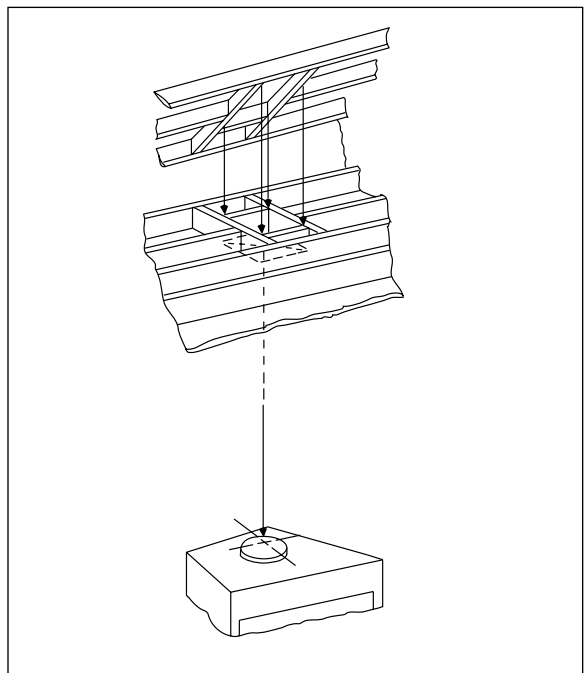


Figure 16
Ceiling and Attic Construction

STEP 11 - Cutting Out the Hole in the Roof.

Measure to either side of the nail and mark the 14 1/2" x 14 1/2" opening required. This is measured on the horizontal; actual length may be larger depending on the pitch of the roof. Cut out and frame the opening. See Chapter 25 of the Uniform Building Code for Roof Framing details. Be sure to maintain a 2" minimum air space between the chimney section and the roof.

STEP 12 - Assembling the Chimney Sections.

Continue to add chimney sections through the roof opening, maintaining at least a 2" air space.

STEP 13 - Installing Roof Flashing (optional).

If a roof flashing is to be used, install the roof flashing appropriate to the roof pitch and install a TR344 terminal cap (round) following the instructions shipped with these accessories.

STEP 14 - Installing an Outside Combustion Air Kit.

The outside air damper assembly is factory installed on the left hand side of the firebox assembly. While its use is optional, it is highly recommended to minimize the effects of negative pressure within the structure. Figure 17 illustrates two of many possible methods that can be used to supply outside air to the fireplace system. To complete the outside air system install the AK22 Outside Air Kit according to the installation instructions supplied with the components.

NOTE: The outside air kit can terminate at any level with the exception that it must terminate at least three feet below the chimney terminal cap as shown in Figure 17.

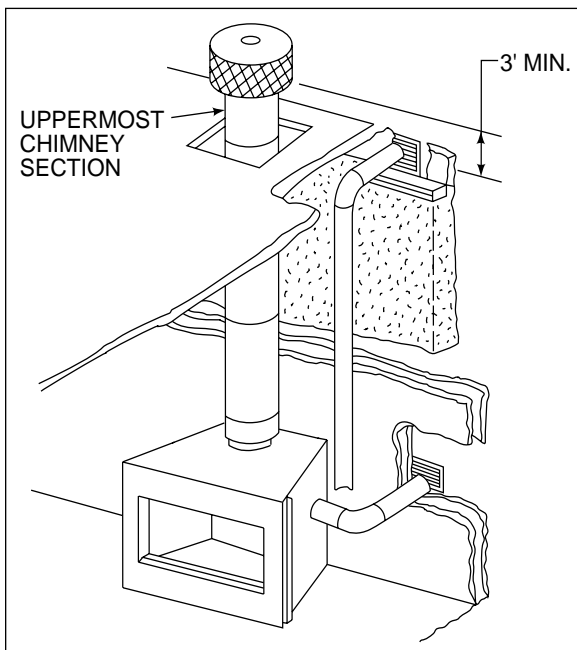


Figure 17
Outside Air Location

STEP 15 - Completion of the Fireplace Enclosure.

Complete the fireplace enclosure, allowing space for outside air ducts and gas piping if desired. Electrical wiring should not come in contact with the unit. A minimum clearance of 1" must be maintained between the fireplace sides and the enclosure as well as the fireplace back and the enclosure. See Figure 4 for framing details.

STEP 16 - Provisions for an Optional Gas Log Set.

Knockouts are provided on both sides of the fireplace to allow for connection of a certified gas log lighter or a decorative gas appliance with a maximum input of 100,000 BTU/hr. incorporating an automatic gas shutoff device and complying with the Standard for Decorative Gas Appliances for Installation in Vented Fireplaces, ANSI Z21.60. The decorative gas appliance should be installed in accordance with the National Fuel Gas Code, ANSI Z223.1-1980. The side refractories are designed to allow 1/2" black pipe to pass through. Use a non-combustible sealant to seal any opening between the gas pipe and refractory on the inside. Repack the insulation removed, to seal around the gas pipe where it exits the side of the fireplace. A minimum 1-1/2" air clearance must be provided to the 1/2" black pipe. See Figure 18.

This fireplace has been set up for installation of the gas pipe on the right hand side. If it is necessary to plumb the unit from the left hand side, remove the gas cover plate and gas tube from the right hand side of the unit and install on the left hand side. Cover the hole in the right hand side outer shell of the fireplace with the cover plate that covered the gas tube.

WARNING!

THIS FIREPLACE WAS NOT TESTED BY THE FIREPLACE MANUFACTURER FOR USE WITH AN UNVENTED GAS LOG HEATER. DO NOT INSTALL AN UNVENTED GAS LOG HEATER IN THIS FIREPLACE UNLESS IT HAS BEEN SPECIFICALLY TESTED AND LISTED BY UNDERWRITER'S LABORATORIES INC FOR USE IN THIS SPECIFIC MODEL FIREPLACE. UNLESS THE UNVENTED GAS LOG HEATER IS TESTED AND LISTED FOR USE IN THIS FACTORY-BUILT FIREPLACE, A FIRE HAZARD MAY BE CREATED THAT CAN RESULT IN A STRUCTURE FIRE.

CAUTION:

WHEN USING A GAS LOG SET, THE FIREPLACE DAMPER MUST BE SET IN THE FULLY OPEN POSITION. THIS ENSURES A PROPER VENTING OF COMBUSTION PRODUCTS.

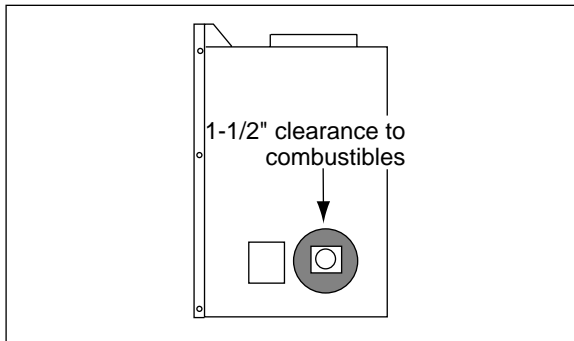


Figure 18
Gas Knockout Location

STEP 18 - Installing the Firescreen.

Attach the firescreen to the fireplace side, utilizing the [2] hairpin clips in the columns. Use pliers to insert the clip through the last strand of screen wire and into the hole at the midpoint of the fireplace side.

STEP 19 - Installing the Glass Doors.

If desired, or required by local building codes, install the glass doors using the instructions supplied with the particular set of doors you have chosen.

STEP 20 - Positioning the Hearth Extension.

Position and secure the hearth extension over the protective metal strips that have been placed partially under the firebox front. See Figure 19. These strips should be protruding approximately two inches from under the fireplace front. Seal the crack between the hearth extension and fireplace with a non-combustible sealant.

STEP 21 - Applying Finishing Materials on the Hearth Extension.

Apply the non-combustible finishing material of your choice to the hearth extension. **Do not install combustible materials over the black face of the fireplace. This poses a safety hazard and may start a structure fire.** You may only use non-combustible material over the black face of the fireplace. Refer to Figure 7 for combustible material information.

Do not cover or restrict any of the louvered openings on the front face of the BW36C Fireplace. Restricting or covering the louvered opening will create a safety hazard and may start a structure fire.

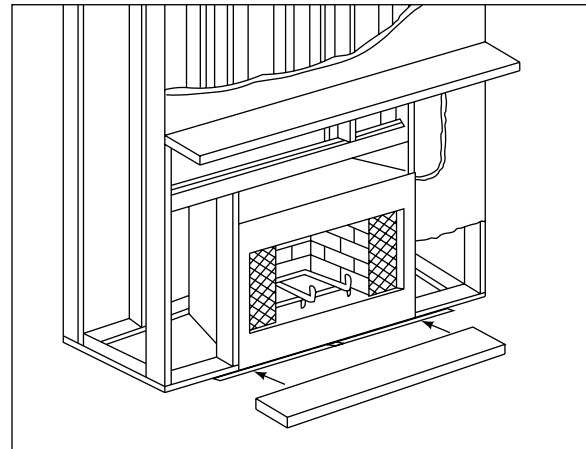


Figure 19
Positioning the Hearth Extension

G. CONSTRUCTING A CHASE

A chase is a vertical box-like enclosure built around the chimney and firebox. A chase may be constructed for the fireplace and chimney or for the chimney only. It is most commonly constructed on an outside wall.

In cold climates, it is recommended that the chase floor be insulated using batt type insulation between the floor joists.

Three examples of chase applications are shown in Figure 20.

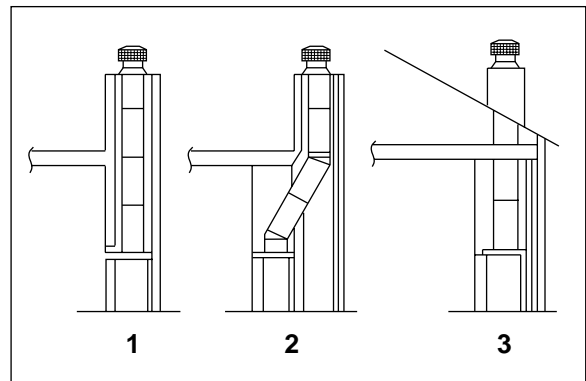


Figure 20
Chase Constructions

1. Fireplace and chimney enclosed in an exterior chase.
2. Chimney offset through exterior wall and enclosed in chase.
3. Chase constructed on roof.

1. Materials for the Chase.

The chase is constructed using framing materials much the same as the walls in your home. A variety of materials may be used including brick, stone, veneer brick, or standard siding materials.

In constructing the chase, several factors must be considered.

- a. Maintain a 1" minimum air space around the firebox.
- b. Maintain a 2" air space around the chimney.
- c. The chase top must be constructed of a non-combustible material.
- d. In cold climates a firestop spacer should be installed in an insulated false ceiling at the 8 foot level above the firebox assembly. This prevents heat loss through the fireplace.
- e. In cold climates, the walls of the chase should be insulated to the level of the false ceiling as shown in Figure 21. This will help prevent heat loss from the home around and through the fireplace.

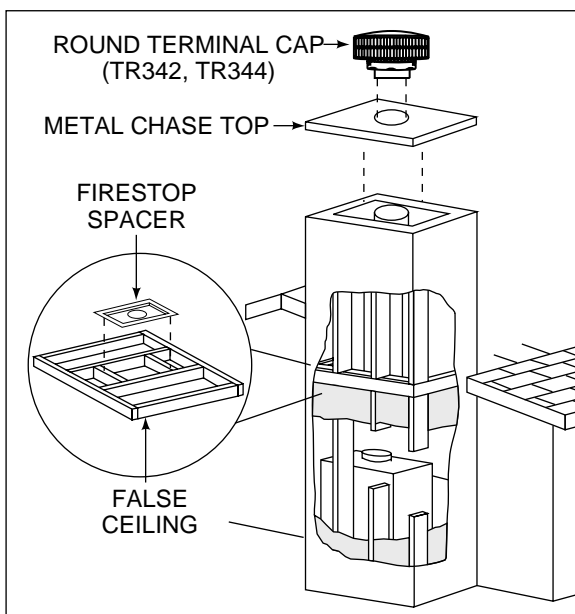


Figure 21
Chase Assembly

WARNING!

DETAIL INSTRUCTIONS FOR INSTALLATION OF THE CHASE TOP, STORM COLLAR AND TERMINAL CAP ARE PACKAGED WITH THESE PARTS. TO AVOID DANGER OF FIRE, ALL INSTRUCTIONS MUST BE STRICTLY FOLLOWED, INCLUDING THE PROVISION OF AIR SPACE CLEARANCE BETWEEN CHIMNEY SYSTEM AND ENCLOSURE. TO PROTECT AGAINST THE EFFECTS OF CORROSION ON THOSE PARTS EXPOSED TO THE WEATHER, WE RECOMMEND THAT THE CHASE TOP AND TERMINAL CAP BE PAINTED WITH A RUST RESISTANT PAINT.

2. Installing a Terminal Cap on a Chase Enclosed Chimney.

Construct a chase of desired materials maintaining a minimum 2" air space around the chimney.

WARNING!

NEVER INSTALL A SINGLE WALL SLIP SECTION OR SMOKE-PIPE IN A CHASE STRUCTURE. THE HIGHER TEMPERATURE OF THIS SINGLE WALL PIPE MAY RADIATE SUFFICIENT HEAT TO COMBUSTIBLE CHASE MATERIALS TO CAUSE A FIRE.

Install the chimney sections up through the chase enclosure. When using a round terminal cap (TR344), the last section of pipe must extend above the top of the chase cone to allow installation of the storm collar and terminal cap.

A telescoping round terminal cap (TR342) is provided to simplify the installation of the terminal cap on a chase installation. The uppermost chimney section must terminate below the level of the chase top, but be no more than 15" below the level of the chase top. A 2" tall flashing collar must be provided on the chase top.

The ST375 Square Terminal Cap is intended for a chase installation. The uppermost chimney section must terminate no more than 4-3/4" below the level of the chase top. A 2" tall flashing collar must be provided on the chase top.

When installing a TS345 or TS345P Square Termination, the uppermost chimney section must not be more than 3" below the chase top.

Attach the chase top (CT35) to the top of the chase.

Install the terminal cap, using the instructions provided with it.

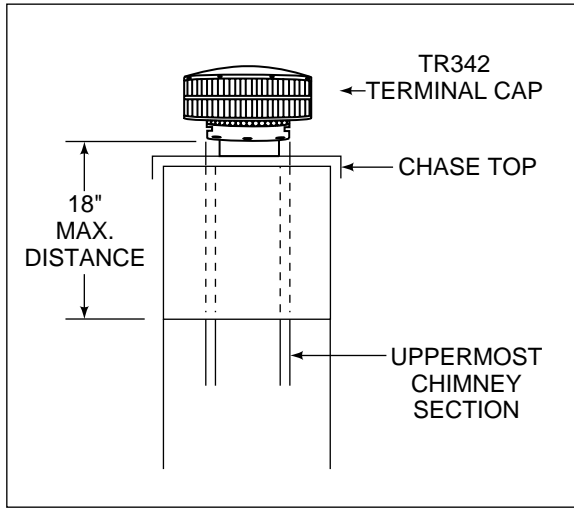


Figure 22
Installing a Terminal Cap

It is extremely important that the fire be supervised whenever the fireplace is in use. It is also recommended that an annual inspection be performed on the fireplace system to determine if the flue system needs to be cleaned, or as in the case of any appliance, if minor repairs are required to maintain the system in top operating condition.

INTENDED USAGE. This factory-built fireplace is intended for use with either solid fuel (firewood) or a decorative gas appliance that has been tested and listed to the Standard for Decorative Gas Appliances for Installation in Vented Fireplaces, ANSI Z21.60. **When operating your fireplace, the flue damper must be in the open position.**

This fireplace was not tested and listed for use with an unvented gas log heater. Do not install an unvented gas log heater in this fireplace and operate it with the flue damper in the full closed position unless the unvented gas log has been specifically tested and listed for use in this fireplace by Underwriters Laboratories Inc. Use of an unvented gas log heater in this factory-built fireplace may create a fire hazard that can result in a structure fire.

H. OPERATING INSTRUCTIONS

NOTICE:

SAVE AND PASS THESE OPERATING INSTRUCTIONS AND THE INSTALLATION INSTRUCTIONS TO SUBSEQUENT OWNERS. THE INFORMATION PROVIDED IS INTENDED TO NOTIFY AND WARN THEM ABOUT MAKING UNSAFE FUTURE MODIFICATIONS SUCH AS THE ADDITION OF SHELVES OR THE USE OF UNAUTHORIZED PARTS AND REPAIRS.

CAUTION:

EDGES ARE SHARP! HAND PROTECTION IS RECOMMENDED.

WARNING!

DO NOT OPERATE THIS FIREPLACE WITH THE FLUE DAMPER IN THE CLOSED POSITION. COMBUSTION PRODUCTS MUST VENT UP THE CHIMNEY SYSTEM TO PREVENT CARBON MONOXIDE POISONING, AND TO PREVENT HOT COMBUSTION GASES FROM CONTACTING AND OVERHEATING COMBUSTIBLE SURFACES. FAILURE TO OPERATE THIS FIREPLACE WITH THE DAMPER IN THE OPEN POSITION MAY RESULT IN ASPHYXIATION OR A STRUCTURE FIRE.

This fireplace is intended to operate as a supplemental heat source for a single room. It is not designed to function as a primary heat source.

Fireplaces, as well as other woodburning appliances, have been used safely for many years. It has been our experience that most problems are caused by improper installation and operation of the unit. Make certain that installation and operation of the fireplace system is in accordance with these instructions.

CAUTION:

FIREPLACE OPERATION DOES REQUIRE AIR. DO NOT TAKE AIR FROM OTHER FUEL BURNING APPLIANCES WHICH CAN RESULT IN IMPROPER VENTING (SMOKING) OR AIR DILUTION. ALWAYS PROVIDE ADEQUATE MAKE-UP AIR.

STARTING THE FIRE. Check the flue damper to be certain it is in the full open position. Place crumpled or twisted paper under the fireplace grate. Loosely arrange kindling or small pieces of wood to form a layer above the paper. Light the paper and add small pieces of wood until a hot bed of embers has been established. At this point add progressively larger pieces of wood until you are able to position 4" diameter split logs as shown in Figure 23.

When first lighting your fireplace, it may be necessary to pre-warm the flue to establish a draft. This is done by holding a rolled up piece of burning newspaper under the flue damper for a few moments. This will prevent smoke spillage during start-up.

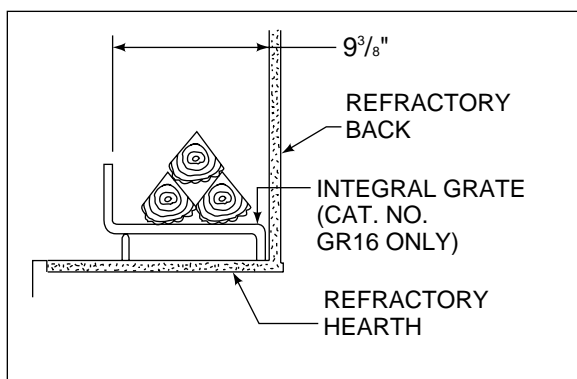


Figure 23
Sectional View of Fireplace

Firewood should be seasoned for at least 6 months before it can be burned as a fireplace fuel. Improperly seasoned (green or wet) wood will cause the fireplace to smoke, will allow creosote deposits to rapidly build-up in the chimney system and may cause roof stains to develop. Fuel products with abnormal burning characteristics, including synthetic logs that contain wax binders, scrap lumber, wax or plastic coated cardboard and other highly volatile fuels that burn at excessive temperatures, may cause the fireplace to operate in an unsafe manner. Flammable liquid fuel are explosive and must never be used to start or freshen a fire. Heat-N-Glo does not warrant the structural or functional performance of the fireplace system when such synthetic fuels or flammable liquids have been used.

NOTE: When heated for the first several times, the fireplace should be heated gradually to prevent moisture in the refractory from causing cracks and to allow binders in the insulation to dissipate. You will notice an industrial odor during the first few fires that are burned. This is considered to be normal.

Use only a solid wood fuel or a listed Heat-N-Glo gas log set. Do not use a fireplace insert or products not specifically tested and listed for use in this fireplace. Use common sense when burning this fireplace. The fire must be built on the fireplace grate, without danger of the burning fuel falling out of the firebox.

CAUTION:

NEVER USE GASOLINE, GASOLINE-TYPE LANTERN FUEL, KEROSENE, CHARCOAL LIGHTER FLUID, OR SIMILAR LIQUIDS TO START OR 'FRESHEN UP' A FIRE IN THIS FIREPLACE. KEEP ALL SUCH LIQUIDS WELL AWAY FROM THE FIREPLACE WHILE IT IS IN USE TO AVOID THE RISK OF A HOSTILE FIRE.

DISPOSAL OF ASHES. Ashes should be placed in a metal container with a tight-fitting lid. The closed container of ashes should be placed on a non-combustible floor or on the ground, well away from all combustible materials, pending final disposal. If the ashes are disposed of by burial in soil or otherwise locally dispersed, they should be retained in the closed container until all embers have thoroughly cooled.

GLASS DOORS. Most efficient fireplace operation using glass doors is with the doors open. When the doors are open, the screen must be closed. Only Hearth Technologies Inc. (HTI) glass doors, model numbers DM1036, DM1036A and DM1036B may be used on the BW36 Series fireplaces.

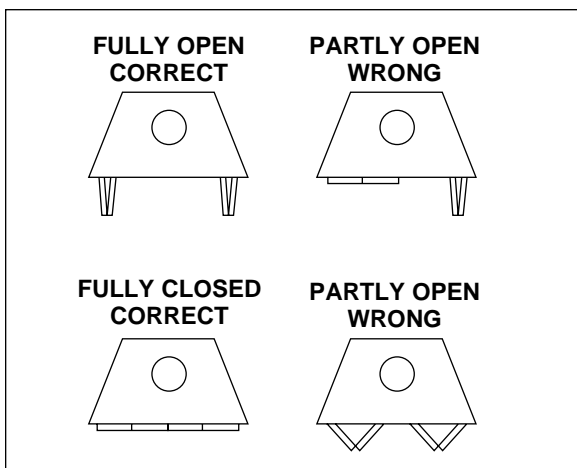


Figure 24
Recommended Operating Positions of Doors

WARNING!

FIREPLACES EQUIPPED WITH DOORS SHOULD BE OPERATED ONLY WITH DOORS FULLY OPEN OR FULLY CLOSED. IF DOORS ARE LEFT PARTIALLY OPEN, GAS AND FLAME MAY BE DRAWN OUT OF THE FIREPLACE OPENING, CREATING THE RISK OF BOTH FIRE AND SMOKE.

WARNING!

CONTINUED OVER-FIRING CAN PERMANENTLY DAMAGE YOUR FIREPLACE SYSTEM. EXAMPLES OF OVER-FIRING ARE:

- 1. THE "NORMAL LOG FIRE" SHOULD BE CONTAINED IN THE GRATE, WITH THE LENGTH OF LOGS NO GREATER THAN THE BACK WALL OF THE FIREPLACE.**
- 2. THE FOLLOWING MATERIALS MUST NOT BE USED IN THIS FIREPLACE: QUANTITIES OF SCRAP LUMBER, PINE BRANCHES, PROCESSED FIRE LOGS AND FIRE STARTERS, OR CARDBOARD BOXES WHICH EXCEED THE VOLUME OF THE "NORMAL LOG FIRE". THESE MATERIALS PRODUCE MANY SPARKS AND MUST NOT BE USED.**

Before starting a fire in your BW36 Series fireplace, use the following check list:

FLUE DAMPER. The flue damper is operated by moving a handle located in the fire chamber, which should place the damper in a fully open position. Pull the handle down to open, push the handle up to close. Verify this by looking up from the inside of the firebox. Always operate this fireplace with the damper fully open. Please note: down drafts, obstructions, damage or poor (wet) fuels can cause smoke spillage.

CHIMNEY INSPECTION. Visually inspect the chimney internally for obstructions and construction damage. Flue pipe joints and seams must be continuous and mechanically tight. In a used chimney, additional inspection is needed for creosote build-up which is the formation of a flammable sediment.

When wood is burned slowly, it produces tar and other organic vapors, which combine with expelled moisture to form creosote. The creosote vapors condense in the relatively cool chimney flue of a slow-burning fire. As a result, creosote residue accumulates on the flue lining. When ignited, this creosote makes an extremely hot fire.

The chimney should be inspected at least twice a year during the heating season to determine if creosote build-up has occurred.

If creosote has accumulated, it should be removed to reduce the risk of a chimney fire.

CHIMNEY CLEANING. If you do detect a build-up of creosote, contact a qualified chimney sweep or clean it yourself. To do this, perform the following steps:

1. Open the damper.
2. Hang a damp sheet across the fireplace opening to stop dirt and soot from entering the room.
3. Remove the Terminal Cap or Housing Top. See Figure 25.
4. Clean with a stiff nylon brush attached to a pole **OR** tie a rope to a burlap bag filled with straw and several small stones or sand. Work up and down the flue until clean.
5. Replace the terminal cap or housing top.

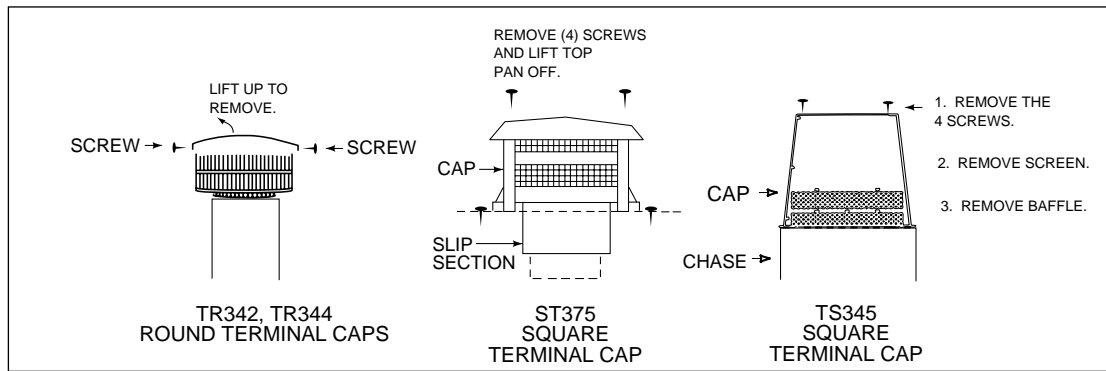


Figure 25
Terminal Caps

WARNING!

A CHIMNEY FIRE CAN PERMANENTLY DAMAGE YOUR CHIMNEY SYSTEM. THIS DAMAGE CAN ONLY BE REPAIRED BY REPLACING THE DAMAGED COMPONENT PARTS. CHIMNEY FIRES ARE NOT COVERED BY THE LIMITED WARRANTY AND BUYER PROTECTION PLAN.

CAUTION:

WHEN LEFT CLOSED WHILE BURNING YOUR FIREPLACE, FIRE-SCREENS AND GLASS DOORS WILL BE HOT. HANDLE WITH CARE.

CLEAR SPACE NEAR FIREPLACE. The hearth extension must extend at least 16 inches to the front and 8" to the sides of the firebox opening for the BW36 Series fireplace. Combustible materials must not be stored in this area. Combustible walls perpendicular to the front of the fireplace must be at least 12 inches from the fireplace opening. Room furnishings such as drapes, curtains, chairs, or other combustibles must be at least 4 feet from the open front of the fireplace.

GRATE. The factory installed integral grate must be used to hold the logs from falling out of an open fireplace and to allow air to pass between the burning logs. It is important to keep the fire off the hearth and to allow the ashes to collect beneath the fire, thereby forming a layer of additional heat protection. See Figure 23, page 21. Use only model number GR16 integral grate for replacement.

NEGATIVE AIR PRESSURE WITHIN THE STRUCTURE. This fireplace will operate correctly only if adequate ventilation is provided to allow proper draft to the fireplace system. Heat-N-Glo assumes no responsibility for the improper performance of the fireplace system caused by inadequate draft due to environmental conditions, downdrafts, tight sealing construction of the structure, or mechanical exhausting devices which create a negative air pressure within the structure where the fireplace is located.

OUTSIDE AIR. A damper control handle allows the individual control of the outside air inlets if your fireplace is equipped with this option. Use of outside air for combustion is highly recommended to conserve heated air within the structure and to provide make up air to keep the fireplace venting properly.

WARRANTY FOR HEAT-N-GLO FIREPLACES

**The limited warranty will not become effective until you have mailed the completed warranty card to HEAT-N-GLO,
A DIVISION OF HEARTH TECHNOLOGIES INC., 20802 Kensington Blvd., Lakeville, MN 55044.
This card must be mailed within 60 days of the fireplace installation.**

Subject to the conditions set forth herein, Heat-N-Glo extends the following limited warranty with respect to your Heat-N-Glo fireplace, excluding accessories, Chimney components and Glass Doors.

If Heat-N-Glo is satisfied that any part or portion of the fireplace covered by this warranty is defective in material or workmanship under normal use and service as described in the operating instructions, Heat-N-Glo will take the following actions:

1. Within the first five (5) years from the date of installation, Heat-N-Glo shall, at its option, replace or repair any such defect in material or workmanship, at Heat-N-Glo's expense. HEAT-N-GLO SHALL NOT BE RESPONSIBLE FOR ANY OTHER LABOR COSTS, OR EXPENSES, INCLUDING INDIRECT, INCIDENTAL OR CONSEQUENTIAL DAMAGES.
2. During the sixth (6th) through the (10th) years after the date of installation, Heat-N-Glo shall supply replacement parts or parts at no charge, but SHALL NOT BE RESPONSIBLE FOR ANY LABOR, TRANSPORTATION, OR OTHER INDIRECT DAMAGES.
3. During the eleventh (11th) through the fifteenth (15th) years after date of installation, Heat-N-Glo will send to you, FOB its factory, replacement parts (if available) at the current minimum wholesale price, but Heat-N-Glo SHALL NOT BE RESPONSIBLE FOR ANY LABOR, TRANSPORTATION OR OTHER INDIRECT DAMAGES.
4. During the first six (6) months after installation, HEAT-N-GLO shall, at its option, replace or repair the Glass Doors and any electrical components, if operation is faulty. (This does not include Glass panels broken during shipment, misuse or careless handling.) After the first six (6) months, HEAT-N-GLO will sell to you, FOB its factory, replacement parts at the current list price, but HEAT-N-GLO SHALL NOT BE RESPONSIBLE FOR ANY LABOR, TRANSPORTATION OR OTHER INDIRECT DAMAGES. IF GLASS DOORS OTHER THAN FACTORY DOORS ARE USED ALL WARRANTY AND LIABILITY ON THE FIREPLACE IS VOIDED.

Heat-N-Glo may discharge its entire warranty liability by refunding the price of the product.

Products made by other manufacturers, sold with the fireplace or thereafter are not covered by this limited warranty.

This limited warranty will be void if the fireplace is not installed according to the installation instructions. The limited warranty also is void if the fireplace is not operated, at all times, according to the operating instructions furnished. The limited warranty will also be void if the fireplace is removed from the place originally installed.

EXCEPT TO THE EXTENT PROVIDED BY LAW, NO IMPLIED WARRANTIES OF MERCHANTABILITY OR FITNESS FOR A PARTICULAR PURPOSE, AND NO IMPLIED WARRANTIES SHALL APPLY TO THE FIREPLACE AFTER THE ABOVE LIMITED WARRANTY HAS EXPIRED.

In states that do not allow limitations on how long implied warranty lasts, or do not allow exclusion of indirect damages, those limitations or exclusions may not apply to you. You may also have additional rights not covered in this limited warranty.

HEAT-N-GLO reserves the right to make changes at anytime, without notice, in design, material, specifications and prices and the right to discontinue styles and products.

- UNDERWRITERS LABORATORIES FILE NO. MH5850


HEAT-N-GLO
No one builds a better fire