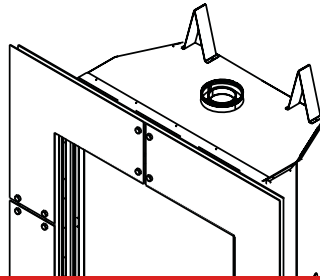


Model(s):

LUX60



This appliance has been retired.
Service parts pages within have been removed.
For replacement parts, please refer to the individual
service parts list located on the brand websites.

GAS-FIRED



CAUTION



• Important operating and maintenance instructions included.

DO NOT DISCARD THIS MANUAL

• Read, understand and follow these instructions for safe installation and operation.

• Leave this manual with party responsible for use and operation.

⚠ WARNING



If the information in these instructions is not followed exactly, a fire may result causing property damage, personal injury, or death.

- Do not store or use gasoline or other flammable vapors and liquids in the vicinity of this or any other appliance.
- **What to do if you smell gas:**
 - Do not try to light any appliance.
 - Do not touch any electrical switch. Do not use any phone in your building.
 - Immediately call your gas supplier from a neighbor's phone. Follow the gas supplier's instructions.
 - If you cannot reach your gas supplier, call the fire department.
- Installation and service must be performed by a qualified installer, service agency, or the gas supplier.

⚠ WARNING



HOT SURFACES!

Glass and other surfaces are hot during operation and cool down.

Hot glass will cause burns.

- Do not touch glass until it is cooled
 - NEVER allow children to touch glass
 - Keep children away
 - CAREFULLY SUPERVISE children in same room as appliance.
 - Alert children and adults to hazards of high temperatures.
- High temperatures may ignite clothing or other flammable materials.**

- Keep clothing, furniture, draperies and other combustibles away.

This appliance requires installation of a decorative front with an integral barrier to prevent direct contact with the fixed glass panel. Do NOT operate the appliance with the barrier removed.

Contact your dealer or Hearth & Home Technologies if the barrier is not present or help is needed to properly install one.

In the Commonwealth of Massachusetts installation must be performed by a licensed plumber or gas fitter.

See Table of Contents for location of additional Commonwealth of Massachusetts requirements.



Installation and service of this appliance should be performed by qualified personnel. Hearth & Home Technologies suggests NFI certified or factory-trained professionals, or technicians supervised by an NFI certified professional.

Read this manual before installing or operating this appliance.
Please retain this owner's manual for future reference.

A. Congratulations

Congratulations on selecting a Heat & Glo gas fireplace, an elegant and clean alternative to wood burning fireplaces. The Heat & Glo gas fireplace you have selected is designed to provide the utmost in safety, reliability, and efficiency.

As the owner of a new fireplace, you'll want to read and carefully follow all of the instructions contained in this owner's manual. Pay special attention to all cautions and warnings.

This owner's manual should be retained for future reference. We suggest that you keep it with your other important documents and product manuals.


The information contained in this owner's manual, unless noted otherwise, applies to all models and gas control systems.

Your new Heat & Glo gas fireplace will give you years of durable use and trouble-free enjoyment. Welcome to the Heat & Glo family of fireplace products!

Homeowner Reference Information	<i>We recommend that you record the following pertinent information about your fireplace.</i>
Model Name: _____	Date purchased/installed: _____
Serial Number: _____	Location on fireplace: _____
Dealership purchased from: _____	Dealer Phone: _____
Notes: _____	


Listing Label Information/Location

The model information regarding your specific fireplace can be found on the rating plate usually located in the control area of the fireplace.



Heat & Glo, a brand of Hearth & Home Technologies, Inc.
7571 215th Street West, Lakeville, MN 55044

GAS-FIRED



Not for use with solid fuel.
(Ne doit pas être utilisé avec un combustible solide).

Type of Gas (*Sorte De Gaz*): **NATURAL GAS** This appliance must be installed in accordance with local codes, if any; if not, follow ANSI Z223.1 in the USA or CAN/CGA B149 installation codes. *(Installer l'appareil selon les codes ou règlements locaux ou, en l'absence de tels règlements, selon les codes d'installation CAN/CGA-B149.)*

ANSI Z21XX-XXXX · CSA 2.XX-MXX · UL307B

Minimum Permissible Gas Supply for Purposes of Input Adjustment.

Approved Minimum (<i>De Gaz</i>) Acceptable	0.0 in w.c. (<i>Po. Col. d'eau</i>)
Maximum Pressure (<i>Pression</i>)	0.0 in w.c. (<i>Po. Col. d'eau</i>)
Maximum Manifold Pressure (<i>Pression</i>)	0.0 in w.c. (<i>Po. Col. d'eau</i>)
Minimum Manifold Pressure (<i>Pression</i>)	0.0 in w.c. (<i>Po. Col. d'eau</i>)

Total Electrical Requirements: 000Vac, 00Hz., less than 00 Amperes

MADE IN USA

ALTITUDE:	0-0000 FT.	IN CANADA 0000-0000FT.	Model: (<i>Modele</i>):	XXXXXXXXX	
MAX. INPUT BTUH:	00,000	00,000			
MIN. INPUT BTUH:	00,000	00,000			
ORIFICE SIZE:	#XXXXX	#XXXXX	Serial (<i>Serie</i>):	XXXXXXXXX	

Type of Gas →

Gas and Electric Information →

Model Number →

Serial Number →

▲ Safety Alert Key:

- **DANGER!** Indicates a hazardous situation which, if not avoided will result in death or serious injury.
- **WARNING!** Indicates a hazardous situation which, if not avoided could result in death or serious injury.
- **CAUTION!** Indicates a hazardous situation which, if not avoided, could result in minor or moderate injury.
- **NOTICE:** Used to address practices not related to personal injury.

Table of Contents

A. Congratulations	2		
→ B. Limited Lifetime Warranty	5	C. Use of Elbows	27
1 Listing and Code Approvals		D. Measuring Standards	27
A. Appliance Certification	7	E. Vent Diagrams	28
B. Ceramic Glass Specifications	7	8 Vent Clearances and Framing	
C. BTU Specifications	7	A. Pipe Clearances to Combustibles	31
D. High Altitude Installations	7	B. Wall Penetration Framing	31
E. Noncombustible Materials Specification	7	C. Install the Ceiling Firestop	32
F. Combustible Materials Specification	7	D. Install Attic Insulation Shield	33
G. Electrical Codes	7	9 Appliance Preparation	
H. Requirements for the Commonwealth of Massachusetts	8	A. Secure and Level the Appliance	34
		10 Install Vent Pipe	
		A. Assemble Vent Sections	35
		B. Assemble Slip Sections	36
		C. Secure the Vent Sections	36
		D. Disassemble Vent Sections	37
		E. Install Metal Roof Flashing	37
		F. Assemble and Install Storm Collar	38
		G. Install Vertical Termination Cap	39
		H. Heat Shield Requirements for Horizontal Termination	39
		I. Install Horizontal Termination Cap	40
		11 Shrouds	
		A. HHT Shrouds	41
		B. Field Constructed Shrouds	41
		12 Gas Information	
		A. Gas Pressure	43
		B. Gas Connection	43
		C. High Altitude Installations	43
		D. Install Flame Solenoid	44
		E. Setting Flame Height/Manifold Pressure	44
		13 Electrical Information	
		A. Wiring Requirements	45
		B. Electrical Service and Repair	45
		C. Junction Box Installation	46
		14 Wall Finishing	
		A. Standard 1/2 in. (13 mm) Sheetrock	47
		B. Additional Decorative Finishing up to 1 in. (25 mm) Thick	48
		C. Additional Decorative Finishing over 1 in. (25 mm) Thick	48
		15 Appliance Setup	
		A. Remove Glass Assembly	49
		B. Clean the Appliance	49
		C. Air Shutter Access & Adjustment	49
		D. Install Glass Rock	51
		16 Troubleshooting	
		A. IntelliFire (IPI) Ignition System	52

User Guide

2 Operating Instructions

A. Gas Fireplace Safety	9
B. Your Fireplace	9
C. Clear Space	10
D. Decorative Doors and Fronts	10
E. Fixed Glass Assembly	10
F. Operation of the LUX60	10
G. Remote Operation	10
H. Before Lighting Fireplace	11
I. IntelliFire Ignition System (IPI) Lighting Instructions	12
J. After Fireplace is Lit	13
K. Frequently Asked Questions	13

3 Maintenance and Service

A. Maintenance Tasks-Homeowner	14
B. Maintenance Tasks-Qualified Service Technician	16

Installer Guide

4 Getting Started

A. Typical Appliance System	20
B. Design and Installation Considerations	21
C. Tools and Supplies Needed	21
D. Inspect Appliance and Components	21

5 Framing and Clearances

A. Select Appliance Location	22
B. Assemble Steel Stud Kit	22
C. Construct the Appliance Chase	23
D. Clearances	23

6 Termination Locations

A. Vent Termination Minimum Clearances	25
--	----

7 Vent Information and Diagrams

A. Approved Pipe	27
B. Vent Table Key	27

17 Reference Materials

	A. Appliance Dimension Diagram	54
	B. Vent Components Diagrams	55
→	C. Service Parts	59
	D. Optional Components	64
	E. Contact Information	65

→ = Contains updated information.

→ **B. Limited Lifetime Warranty**

**Hearth & Home Technologies Inc.
LIMITED LIFETIME WARRANTY**

Hearth & Home Technologies Inc., on behalf of its hearth brands ("HHT"), extends the following warranty for HHT gas, wood, pellet, coal and electric hearth appliances that are purchased from an HHT authorized dealer.

WARRANTY COVERAGE:

HHT warrants to the original owner of the HHT appliance at the site of installation, and to any transferee taking ownership of the appliance at the site of installation within two years following the date of original purchase, that the HHT appliance will be free from defects in materials and workmanship at the time of manufacture. After installation, if covered components manufactured by HHT are found to be defective in materials or workmanship during the applicable warranty period, HHT will, at its option, repair or replace the covered components. HHT, at its own discretion, may fully discharge all of its obligations under such warranties by replacing the product itself or refunding the verified purchase price of the product itself. The maximum amount recoverable under this warranty is limited to the purchase price of the product. This warranty is subject to conditions, exclusions and limitations as described below.

WARRANTY PERIOD:

Warranty coverage begins on the date of original purchase. In the case of new home construction, warranty coverage begins on the date of first occupancy of the dwelling or six months after the sale of the product by an independent, authorized HHT dealer/ distributor, whichever occurs earlier. The warranty shall commence no later than 24 months following the date of product shipment from HHT, regardless of the installation or occupancy date. The warranty period for parts and labor for covered components is produced in the following table.

The term "Limited Lifetime" in the table below is defined as: 20 years from the beginning date of warranty coverage for gas appliances, and 10 years from the beginning date of warranty coverage for wood, pellet, and coal appliances. These time periods reflect the minimum expected useful lives of the designated components under normal operating conditions.

Warranty Period		HHT Manufactured Appliances and Venting							Components Covered
Parts	Labor	Gas	Wood	Pellet	EPA Wood	Coal	Electric	Venting	
1 Year		X	X	X	X	X	X	X	All parts and material except as covered by Conditions, Exclusions, and Limitations listed
2 years				X	X	X			Igniters, electronic components, and glass
		X	X	X	X	X			Factory-installed blowers
			X						Molded refractory panels
3 years				X					Firepots and burnpots
5 years	1 year			X	X				Castings and baffles
7 years	3 years		X	X	X				Manifold tubes, HHT chimney and termination
10 years	1 year	X							Burners, logs and refractory
Limited Lifetime	3 years	X	X	X	X	X			Firebox and heat exchanger
90 Days		X	X	X	X	X	X	X	All replacement parts beyond warranty period

See conditions, exclusions, and limitations on next page.

→ B. Limited Lifetime Warranty (*continued*)

WARRANTY CONDITIONS:

- This warranty only covers HHT appliances that are purchased through an HHT authorized dealer or distributor. A list of HHT authorized dealers is available on the HHT branded websites.
- This warranty is only valid while the HHT appliance remains at the site of original installation.
- Contact your installing dealer for warranty service. If the installing dealer is unable to provide necessary parts, contact the nearest HHT authorized dealer or supplier. Additional service fees may apply if you are seeking warranty service from a dealer other than the dealer from whom you originally purchased the product.
- Check with your dealer in advance for any costs to you when arranging a warranty call. Travel and shipping charges for parts are not covered by this warranty.

WARRANTY EXCLUSIONS:

This warranty does not cover the following:

- Changes in surface finishes as a result of normal use. As a heating appliance, some changes in color of interior and exterior surface finishes may occur. This is not a flaw and is not covered under warranty.
- Damage to printed, plated, or enameled surfaces caused by fingerprints, accidents, misuse, scratches, melted items, or other external sources and residues left on the plated surfaces from the use of abrasive cleaners or polishes.
- Repair or replacement of parts that are subject to normal wear and tear during the warranty period. These parts include: paint, wood, pellet and coal gaskets, firebricks, grates, flame guides, light bulbs, batteries and the discoloration of glass.
- Minor expansion, contraction, or movement of certain parts causing noise. These conditions are normal and complaints related to this noise are not covered by this warranty.
- Damages resulting from: (1) failure to install, operate, or maintain the appliance in accordance with the installation instructions, operating instructions, and listing agent identification label furnished with the appliance; (2) failure to install the appliance in accordance with local building codes; (3) shipping or improper handling; (4) improper operation, abuse, misuse, continued operation with damaged, corroded or failed components, accident, or improperly/incorrectly performed repairs; (5) environmental conditions, inadequate ventilation, negative pressure, or drafting caused by tightly sealed constructions, insufficient make-up air supply, or handling devices such as exhaust fans or forced air furnaces or other such causes; (6) use of fuels other than those specified in the operating instructions; (7) installation or use of components not supplied with the appliance or any other components not expressly authorized and approved by HHT; (8) modification of the appliance not expressly authorized and approved by HHT in writing; and/or (9) interruptions or fluctuations of electrical power supply to the appliance.
- Non-HHT venting components, hearth components or other accessories used in conjunction with the appliance.
- Any part of a pre-existing fireplace system in which an insert or a decorative gas appliance is installed.
- HHT's obligation under this warranty does not extend to the appliance's capability to heat the desired space. Information is provided to assist the consumer and the dealer in selecting the proper appliance for the application. Consideration must be given to appliance location and configuration, environmental conditions, insulation and air tightness of the structure.

This warranty is void if:

- The appliance has been over-fired or operated in atmospheres contaminated by chlorine, fluorine, or other damaging chemicals. Over-firing can be identified by, but not limited to, warped plates or tubes, rust colored cast iron, bubbling, cracking and discoloration of steel or enamel finishes.
- The appliance is subjected to prolonged periods of dampness or condensation.
- There is any damage to the appliance or other components due to water or weather damage which is the result of, but not limited to, improper chimney or venting installation.

LIMITATIONS OF LIABILITY:

- The owner's exclusive remedy and HHT's sole obligation under this warranty, under any other warranty, express or implied, or in contract, tort or otherwise, shall be limited to replacement, repair, or refund, as specified above. In no event will HHT be liable for any incidental or consequential damages caused by defects in the appliance. Some states do not allow exclusions or limitation of incidental or consequential damages, so these limitations may not apply to you. This warranty gives you specific rights; you may also have other rights, which vary from state to state. EXCEPT TO THE EXTENT PROVIDED BY LAW, HHT MAKES NO EXPRESS WARRANTIES OTHER THAN THE WARRANTY SPECIFIED HEREIN. THE DURATION OF ANY IMPLIED WARRANTY IS LIMITED TO DURATION OF THE EXPRESSED WARRANTY SPECIFIED ABOVE.

1 Listing and Code Approvals

A. Appliance Certification

MODELS: LUX60
LABORATORY: Underwriters Laboratories, Inc. (UL)
TYPE: Vented Gas Fireplace Heater
STANDARD: ANSI Z21.88b-2008 • CSA 2.33b-2008

NOTICE: This installation must conform with local codes or, in the absence of local codes, with the National Fuel Gas Code, ANSI Z223.1/NFPA 54, or the Natural Gas and Propane Installation Code, CSA B149.1.

- A manufactured home (USA only) or mobile home OEM installation must conform with the (U.S.) *Manufactured Home Construction and Safety Standard, Title 24 CFR, Part 3280* or, when such a standard is not applicable, the *Standard for Fire Safety Criteria for Manufactured Home Installation Sites and Communities, ANSI/NFPA 501A*, in the United States, or the *Mobile Homes Standard, CAN/CSA Z240 MH Series* in Canada.
- This appliance complies with the installation requirements for HUD.

NOT INTENDED FOR USE AS A PRIMARY HEAT SOURCE.
This appliance is tested and approved as either supplemental room heat or as a decorative appliance. It should not be factored as primary heat in residential heating calculations.

B. Ceramic Glass Specifications

This appliance is equipped with 5 mm ceramic glass. Replace glass with 5 mm ceramic glass. Please contact your dealer for replacement glass.

C. BTU Specifications

LUX60 - IPI

NG	
Max / Min Input Rate	60,000 / 40,000
Orifice Size - Outside (3)	#44 / .086
Orifice Size - Center (1)	#53 / .059

LP	
Max / Min Input Rate	50,000 / 37,000
Orifice Size - Outside (3)	#56 / .046
Orifice Size - Center (1)	#72 / .025

D. High Altitude Installations

NOTICE: If the heating value of the gas has been reduced, these rules do not apply. Check with your local gas utility or authorities having jurisdiction.

When installing above 2000 feet elevation:

- In the USA: Reduce input rate 4% for each 1000 feet above 2000 feet.
- In CANADA: Reduce input rate 10% for elevations between 2000 feet and 4500 feet. Above 4500 feet, consult local gas utility.

Check with your local gas utility to determine proper orifice size.

E. Noncombustible Materials Specification

Material which will not ignite and burn. Such materials are those consisting entirely of steel, iron, brick, tile, concrete, slate, glass or plasters, or any combination thereof.

Materials that are reported as passing **ASTM E 136, Standard Test Method for Behavior of Materials in a Vertical Tube Furnace at 750 °C** and **UL763** shall be considered noncombustible materials.

F. Combustible Materials Specification

Materials made of or surfaced with wood, compressed paper, plant fibers, plastics, or other material that can ignite and burn, whether flame proofed or not, or plastered or unplastered shall be considered combustible materials.

G. Electrical Codes

NOTICE: This appliance must be electrically wired and grounded in accordance with local codes or, in the absence of local codes, with **National Electric Code ANSI/NFPA 70-latest edition** or the **Canadian Electric Code CSA C22.1**.

- A 110-120 VAC circuit for this product must be protected with ground-fault circuit-interrupter protection, in compliance with the applicable electrical codes, when it is installed in locations such as in bathrooms or near sinks.

Note: The following requirements reference various Massachusetts and national codes not contained in this document.

H. Requirements for the Commonwealth of Massachusetts

For all side wall horizontally vented gas fueled equipment installed in every dwelling, building or structure used in whole or in part for residential purposes, including those owned or operated by the Commonwealth and where the side wall exhaust vent termination is less than seven (7) feet above finished grade in the area of the venting, including but not limited to decks and porches, the following requirements shall be satisfied:

Installation of Carbon Monoxide Detectors

At the time of installation of the side wall horizontal vented gas fueled equipment, the installing plumber or gas fitter shall observe that a hard wired carbon monoxide detector with an alarm and battery back-up is installed on the floor level where the gas equipment is to be installed. In addition, the installing plumber or gas fitter shall observe that a battery operated or hard wired carbon monoxide detector with an alarm is installed on each additional level of the dwelling, building or structure served by the side wall horizontal vented gas fueled equipment. It shall be the responsibility of the property owner to secure the services of qualified licensed professionals for the installation of hard wired carbon monoxide detectors.

In the event that the side wall horizontally vented gas fueled equipment is installed in a crawl space or an attic, the hard wired carbon monoxide detector with alarm and battery back-up may be installed on the next adjacent floor level.

In the event that the requirements of this subdivision can not be met at the time of completion of installation, the owner shall have a period of thirty (30) days to comply with the above requirements; provided, however, that during said thirty (30) day period, a battery operated carbon monoxide detector with an alarm shall be installed.

Approved Carbon Monoxide Detectors

Each carbon monoxide detector as required in accordance with the above provisions shall comply with NFPA 720 and be ANSI/UL 2034 listed and IAS certified.

Signage

A metal or plastic identification plate shall be permanently mounted to the exterior of the building at a minimum height of eight (8) feet above grade directly in line with the exhaust vent terminal for the horizontally vented gas fueled heating appliance or equipment. The sign shall read, in print size no less than one-half (1/2) in. in size, **“GAS VENT DIRECTLY BELOW. KEEP CLEAR OF ALL OBSTRUCTIONS”**.

Inspection

The state or local gas inspector of the side wall horizontally vented gas fueled equipment shall not approve the installation unless, upon inspection, the inspector observes carbon monoxide detectors and signage installed in accordance with the provisions of 248 CMR 5.08(2)(a)1 through 4.

Exemptions

The following equipment is exempt from 248 CMR 5.08(2)(a)1 through 4:

- The equipment listed in Chapter 10 entitled “Equipment Not Required To Be Vented” in the most current edition of NFPA 54 as adopted by the Board; and
- Product Approved side wall horizontally vented gas fueled equipment installed in a room or structure separate from the dwelling, building or structure used in whole or in part for residential purposes.

MANUFACTURER REQUIREMENTS

Gas Equipment Venting System Provided

When the manufacturer of Product Approved side wall horizontally vented gas equipment provides a venting system design or venting system components with the equipment, the instructions provided by the manufacturer for installation of the equipment and the venting system shall include:

- Detailed instructions for the installation of the venting system design or the venting system components; and
- A complete parts list for the venting system design or venting system.

Gas Equipment Venting System **NOT** Provided

When the manufacturer of a Product Approved side wall horizontally vented gas fueled equipment does not provide the parts for venting the flue gases, but identifies “special venting systems”, the following requirements shall be satisfied by the manufacturer:

- The referenced “special venting system” instructions shall be included with the appliance or equipment installation instructions; and
- The “special venting systems” shall be Product Approved by the Board, and the instructions for that system shall include a parts list and detailed installation instructions.

A copy of all installation instructions for all Product Approved side wall horizontally vented gas fueled equipment, all venting instructions, all parts lists for venting instructions, and/or all venting design instructions shall remain with the appliance or equipment at the completion of the installation.

See Gas Connection section for additional Commonwealth of Massachusetts requirements.

User Guide

2 Operating Instructions

A. Gas Fireplace Safety

WARNING



HOT SURFACES!

Glass and other surfaces are hot during operation and cool down.

Hot glass will cause burns.

- Do not touch glass until it is cooled
- NEVER allow children to touch glass
- Keep children away
- CAREFULLY SUPERVISE children in same room as appliance.

- Alert children and adults to hazards of high temperatures.

High temperatures may ignite clothing or other flammable materials.

- Keep clothing, furniture, draperies and other combustibles away.

This appliance requires the installation of a decorative front with an integral barrier to prevent direct contact with the fixed glass panel. Do NOT operate the appliance with the barrier removed.

Contact your dealer or Hearth & Home Technologies if the barrier is not present or help is needed to properly install one.

WARNING! Choking Hazard! Keep glass rock out of reach of children.

If you expect that small children or vulnerable adults may come into contact with this fireplace, the following precautions are recommended:

- Install a physical barrier such as:
 - A decorative firescreen.
 - Adjustable safety gate.
- Install a switch lock or a wall/remote control with child protection lockout feature.
- Keep remote controls out of reach of children.
- Never leave children alone near a hot fireplace, whether operating or cooling down.
- Teach children to NEVER touch the fireplace.
- Consider not using the fireplace when children will be present.

Contact your dealer for more information, or visit: www.hpba.org/safety-information.

To prevent unintended operation when not using your fireplace for an extended period of time (summer months, vacations, trips, etc):

- Turn off external gas cock.

B. Your Fireplace

WARNING! DO NOT operate fireplace before reading and understanding operating instructions. Failure to operate fireplace according to operating instructions could cause fire or injury.

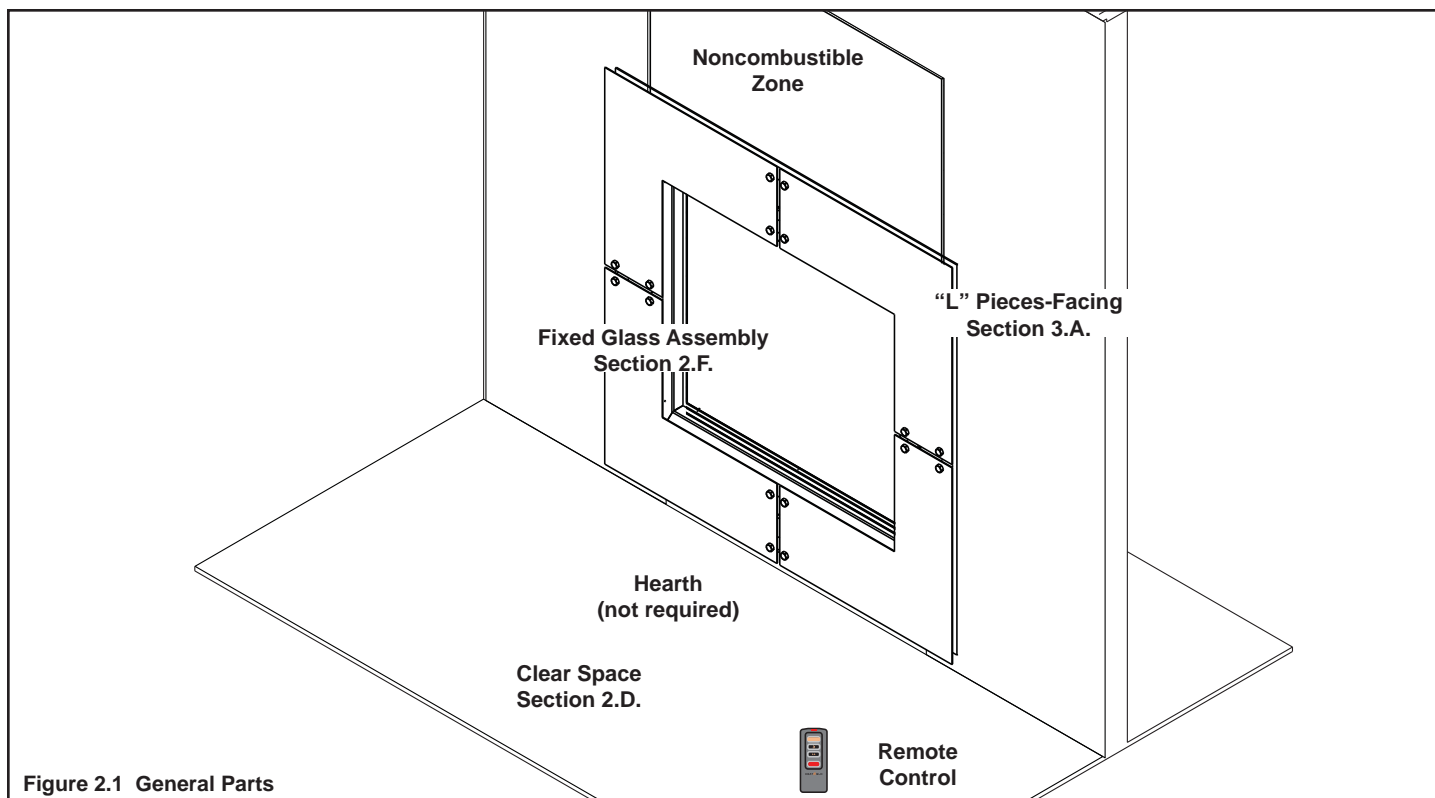
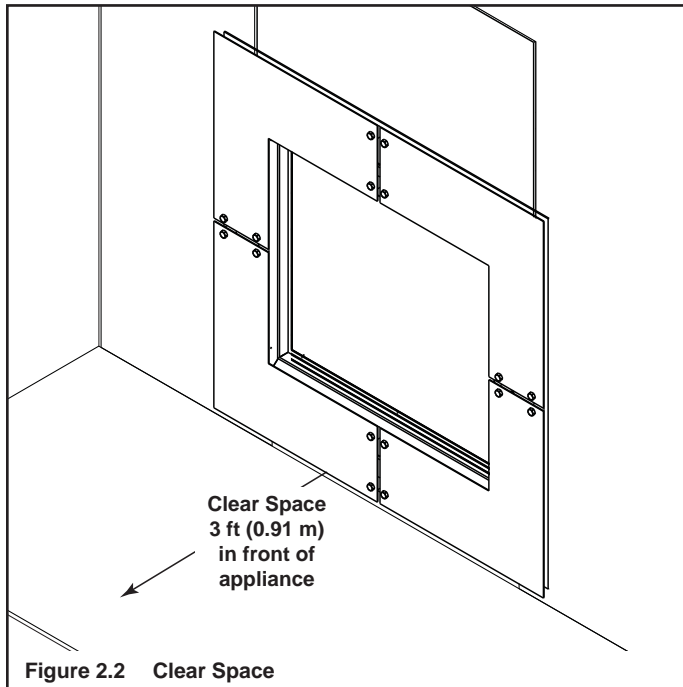


Figure 2.1 General Parts

C. Clear Space

WARNING! DO NOT place combustible objects in front of the fireplace or block louvers. High temperatures may start a fire. See Figure 2.2.

Avoid placing candles and other heat-sensitive objects on mantel or hearth. Heat may damage these objects.



D. Decorative Doors and Fronts

WARNING! Risk of Fire! Install **ONLY** doors or fronts approved by *Hearth & Home Technologies*. Unapproved doors or fronts may cause fireplace to overheat.

This appliance requires the installation of the SSF-LUX60-BK with an integral barrier to prevent direct contact with the fixed glass panel. Do NOT operate the appliance with the barrier removed.

Contact your dealer or *Hearth & Home Technologies* if the barrier is not present or help is needed to properly install one.

For more information refer to the instructions supplied with your decorative door or front.

E. Fixed Glass Assembly

See Section 15.A.

F. Operation of the LUX60

This appliance is operated solely by remote control. Refer to Sect 2.G. Remote Operation.

G. Remote Operation

FCC Requirements

WARNING! Changes or modifications to this unit not expressly approved by the party responsible for compliance could void the user's authority to operate the equipment.

Note: This equipment has been tested and found to comply with the limits for a Class B digital device, pursuant to Part 15 of the FCC Rules. These limits are designed to provide reasonable protection against harmful interference in a residential installation. This equipment generates, uses, and can radiate radio frequency energy and, if not installed and used in accordance with the instructions, may cause harmful interference to radio communications. However, there is no guarantee that interference will not occur in a particular installation. If this equipment does cause harmful interference to radio or television reception, which can be determined by turning the equipment off and on, the user is encouraged to try to correct the interference by one or more of the following measures:

- Reorient or relocate the receiving antenna.
- Increase the separation between the equipment and receiver.
- Connect the equipment into an outlet on a circuit different from that to which the receiver is connected.
- Contact the dealer or an experienced radio TV technician for help.

Canadian Equipment Requirements

This digital apparatus does not exceed the (Class A/ Class B) limits for radio noise emissions from digital apparatus set out in the Radio Interference Regulations of the Canadian Department of Communications. Le présent appareil numérique n'émet pas de bruits radioélectriques dépassant les limites applicables aux appareils numériques (de la class A/de la class B) prescrites dans le Règlement sur le brouillage radioélectrique édicté par le ministère des Communications du Canada.

This device complies with RSS-210 of Industry and Science Canada. Operation is subject to the following two conditions: (1) this device may not cause interference, and (2) this device must accept any interference, including interference that may cause undesired operation of the device.

Matching Security Codes

It may be necessary to program the control module to the security code of the remote upon initial use, if batteries are replaced, or if a replacement control module is purchased from your dealer. To program the control module:

- Push the LEARN button located next to the four pin LED connector on the control module. (Refer to Figure 13.1 for location of button.)
- The LED located between the control module connectors will flash.
- Then press the power button on the remote.

The LED will turn OFF to indicate the remote's code has been programmed into the control module. When an existing receiver is matched to a new transmitter, the new security control module will overwrite the old one.

NOTE: If you are unsuccessful in matching the security code on the first attempt, wait 1-2 minutes before trying again.

System Operation

- **POWER BUTTON** (bottom button)
 - Pressing the POWER button will energize the LED lights circuit at the last stored speed and/or paused color and light the burner on high. The burner will always light in the high flame position.
 - Pressing the POWER button again will turn OFF the LED lights and BURNER.
- **SPEED BUTTON** (second from bottom)
 - Each press of the SPEED button will sequence the LED lights through four fixed speeds and an OFF mode.
 - The color fade speed will be stored ten seconds after each speed change.
 - If the POWER is OFF – The SPEED button will have no effect.
- **FLAME BUTTON** (second from top)
 - Each press of the FLAME button will sequence the BURNER from HIGH flame to LOW flame to OFF to HIGH flame.
 - Use this feature to provide LUX illumination without heat.
 - If the POWER is OFF – The FLAME button will have NO effect.
- **PAUSE BUTTON** (top button)
 - Each press of the PAUSE button will toggle the LED lights color change from fixed color to fading color and back to fixed color.
 - The color will be stored ten seconds after each pause.

H. Before Lighting Fireplace

Before operating this fireplace for the first time, **have a qualified service technician:**

- Verify all shipping materials have been removed from inside and/or underneath the firebox.
- Review proper placement of decorative steel log assembly, glass rock and/or other decorative materials.
- Check the wiring.
- Check the air shutter adjustment.
- Ensure that there are no gas leaks.
- Ensure that the glass is sealed and in the proper position and that the integral barrier is in place.

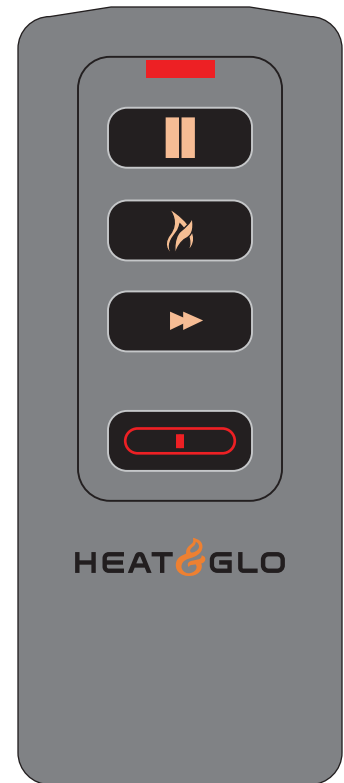
WARNING! Risk of Fire or Asphyxiation! DO NOT operate fireplace with fixed glass assembly removed.

PAUSE BUTTON

FLAME BUTTON

SPEED BUTTON

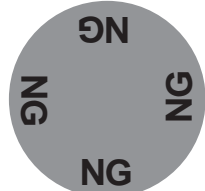
POWER BUTTON



Remote

I. IntelliFire Ignition System (IPI) Lighting Instructions

- For normal use, activate/deactivate your fireplace with the remote control.
- If your fireplace must be deactivated for serviced or an extended period of time, follow the instructions below.
- Shut off external gas cock.
- Shut off electric power to the appliance.

<div style="display: flex; align-items: center; justify-content: center;"> ○ <h2 style="margin: 0;">FOR YOUR SAFETY READ BEFORE LIGHTING</h2> </div>		<p>This appliance needs fresh air for safe operation and must be installed so there are provisions for adequate combustion and ventilation air.</p>
<div style="border: 1px solid black; padding: 5px; display: inline-block;"> WARNING: If you do not follow these instructions exactly, a fire or explosion may result causing property damage, personal injury or loss of life. </div>		<p>This appliance must be installed in accordance with local codes, if any; if not, follow ANSI Z223.1 or, in Canada, current CAN/CGA-B149.</p>
<p>A. This appliance is equipped with an ignition device which automatically lights the pilot. Do not try to light the pilot by hand.</p> <p>B. BEFORE LIGHTING smell all around the appliance area for gas. Be sure to smell next to the floor because some gas is heavier than air and will settle on the floor.</p> <p>WHAT TO DO IF YOU SMELL GAS</p> <ul style="list-style-type: none"> • Do not try to light any appliance. • Do not touch any electric switch; do not use any phone in your building. • Immediately call your gas supplier from a neighbor's phone. Follow the gas supplier's instructions. 	<ul style="list-style-type: none"> • If you cannot reach your gas supplier, call the fire department. <p>C. Use only your hand to push in and move the gas control valve or turn the gas control knob. Never use tools. If the lever or knob will not move by hand, don't try to repair it, call a qualified service technician. Force or attempted repair may result in a fire or explosion.</p> <p>D. Do not use this appliance if any part has been under water. Immediately call a qualified service technician to inspect the appliance and to replace any part of the control system and any gas control which has been under water.</p>	<p>This appliance must be properly connected to a venting system in accordance with the manufacturer's installation instructions.</p>
<h2 style="margin: 0;">LIGHTING INSTRUCTIONS</h2>		<p>WARNING: Improper installation, adjustment, alteration, service or maintenance can cause injury or property damage. Refer to the owner's information manual provided with the appliance. For assistance or additional information consult a qualified installer, service agency or the gas supplier.</p>
<ol style="list-style-type: none"> 1. STOP! Read the safety information above on this label. 2. Turn wall switch to the "OFF" position or thermostat to the lowest setting. 3. Turn off all electric power to the appliance. 4. This appliance is equipped with an ignition device which automatically lights the pilot. Do NOT try to light the pilot by hand. 	<ol style="list-style-type: none"> 5. Wait five minutes to clear out any gas. If you then smell gas, STOP! Follow "B" in the safety information above on this label. If you don't smell gas, go to the next step. 6. To turn on the burner, turn on all electric power to this appliance and turn on the wall switch or set the thermostat to the desired setting. 7. If the appliance will not operate, follow the instructions "TO TURN OFF GAS TO APPLIANCE" and call your service technician or gas supplier. 	<p>CAUTION: Hot while in operation. Do not touch. Keep children, clothing, furniture, gasoline and other liquids having flammable vapors away.</p>
<h2 style="margin: 0;">TO TURN OFF GAS TO APPLIANCE</h2>		<p>WARNING RISK OF FIRE</p> <p>This appliance is intended to burn a specified gas fuel only. Do not attempt to use with solid wood fuel or another type of fuel. Do not attempt to modify or use any other type of gas burner system.</p>
<ol style="list-style-type: none"> 1. Turn off wall switch or set thermostat to lowest setting. 2. Turn off all electric power to the appliance if service is to be performed. 	<ol style="list-style-type: none"> 3. Push the gas control lever in and move to the "OFF" position or push the gas control lever to the "OFF" position. Do not force. 4. Replace the control access panel. 	<p>WARNING: Disconnect the electric power before servicing. If for any reason the original wire supplied with the appliance must be replaced, it must be replaced with 105° C or its equivalent.</p>
<p>For use with natural gas or propane. A conversion kit as supplied by the manufacturer shall be used to convert this appliance to the alternative fuel.</p>	<p>* Also certified for installation in a bedroom or a bed-sitting room. * For U.S. only!</p>	
<p>Due to high surface temperatures, keep children, clothing and furniture away. Keep burner and control compartment clean. See installation and operating instructions accompanying the appliance.</p>		
<p>33631F</p>		

J. After Fireplace is Lit

Initial Break-in Procedure

- The fireplace should be run three to four hours continuously on high.
- Turn the fireplace off and allow it to completely cool.
- Remove fixed glass assembly. See Section 15.A.
- Clean fixed glass assembly. See Section 3.A.
- Replace the fixed glass assembly and run continuously on high an additional 12 hours.

This cures the materials used to manufacture the fireplace.

NOTICE! Open windows for air circulation during fireplace break-in.

- Some people may be sensitive to smoke and odors.
- Smoke detectors may activate.

K. Frequently Asked Questions

ISSUE	SOLUTIONS
Condensation on the glass	This is a result of gas combustion and temperature variations. As the appliance warms, this condensation will disappear.
Blue flames	This is a result of normal operation and the flames will begin to yellow as the appliance is allowed to burn for 20 to 40 minutes.
Odor from appliance	When first operated, this appliance may release an odor for the first several hours. This is caused by the curing of materials from manufacturing. Odor may also be released from finishing materials and adhesives used near the appliance. These circumstances may require additional curing related to the installation environment.
Film on the glass	This is a normal result of the curing process of the paint. Glass should be cleaned within 3 to 4 hours of initial burning. A non-abrasive cleaner such as gas appliance glass cleaner may be necessary. See your dealer.
Metallic noise	Noise is caused by metal expanding and contracting as it heats up and cools down, similar to the sound produced by a furnace or heating duct. This noise does not affect the operation or longevity of the appliance.
Is it normal to see the pilot flame burn continually?	In an intermittent pilot ignition system (IPI), the pilot flame should turn off when appliance is turned off. Some optional control systems available with IPI models may allow pilot flame to remain lit. In a standing pilot system the pilot will always stay on.

3 Maintenance and Service

Any safety screen or guard removed for servicing must be replaced prior to operating the fireplace.

When properly maintained, your fireplace will give you many years of trouble-free service. We recommend annual service by a qualified service technician.

A. Maintenance Tasks-Homeowner

Installation and repair should be done by a qualified service technician only. The fireplace should be inspected before use and at least annually by a professional service person.

The following tasks may be performed annually by the homeowner. If you are uncomfortable performing any of the listed tasks, please call your dealer for a service appointment.

More frequent cleaning may be required due to lint from carpeting or other factors. Control compartment, burner and circulating air passageway of the fireplace must be kept clean.

CAUTION! Risk of Burns! The fireplace should be turned off and cooled before servicing.

Glass Cleaning

Frequency: Seasonally

By: Homeowner

Tools Needed: Protective gloves, glass cleaner, drop cloth and a stable work surface.

CAUTION! Handle fixed glass assembly with care.
Glass is breakable.

- Avoid striking, scratching or slamming glass
- Avoid abrasive cleaners
- DO NOT clean glass while it is hot
- Prepare a work area large enough to accommodate fixed glass assembly and door frame by placing a drop cloth on a flat, stable surface.

Note: Fixed glass assembly and gasketing may have residue that can stain carpeting or floor surfaces.

- Remove the "L" plates from the fireplace by removing the bolts holding them in place (refer to Figure 3.1).
 - The "L" plates are interchangeable diagonally from corner to corner, but not from top to bottom or side to side.
 - Lay aside.

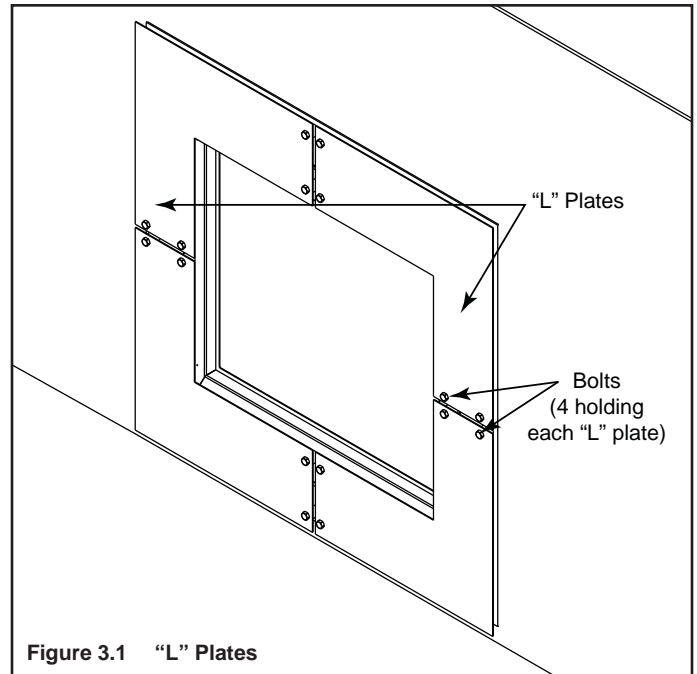


Figure 3.1 "L" Plates

- Pull the spring clips (located at the top inside of the inner frame) towards the center of the frame, rotate the top of the frame out of the fireplace. See Figure 3.2.
- Lift the inner frame until the bottom tabs come out of the slots on the bottom flange of the outer frame. Lay aside.

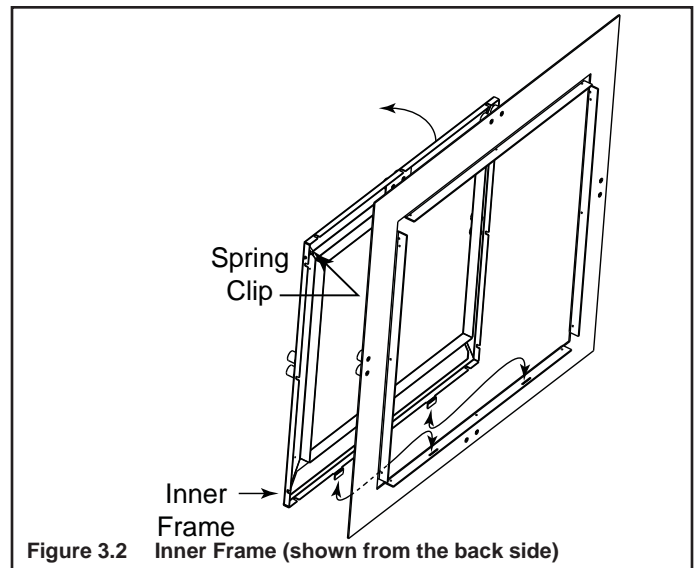


Figure 3.2 Inner Frame (shown from the back side)

- See Section 15.A for instructions to remove fixed glass assembly.
- Clean glass with a non-abrasive commercially available cleaner.
 - Light deposits: Use a soft cloth with soap and water
 - Heavy deposits: Use commercial fireplace glass cleaner (consult with your dealer)
- Carefully set fixed glass assembly in place on fireplace. Hold glass in place with one hand and secure glass latches with the other hand.
- Reinstall inner frame and “L” pieces.

Doors, Surrounds, Fronts

Frequency: Annually

By: Homeowner

Tools needed: Protective gloves, stable work surface

- Assess condition of screen and replace as necessary.
- Inspect for scratches, dents or other damage and repair as necessary.
- Check that openings are not blocked.
- Vacuum and dust surfaces.

Remote Control

Frequency: Seasonally

By: Homeowner

Tools needed: Replacement batteries and remote control instructions.

- Locate remote control transmitter and receiver.
- Verify operation of remote. Refer to remote control operation instructions for proper calibration and setup procedure.
- Place batteries as needed in remote transmitters and battery-powered receivers.
- Place remote control out of reach of children.

If not using your fireplace for an extended period of time (summer months, vacations/trips, etc), to prevent unintended operation:

- Remove batteries from remote controls.

Venting

Frequency: Seasonally

By: Homeowner

Tools needed: Protective gloves and safety glasses.

- Inspect venting and termination cap for blockage or obstruction such plants, bird nests, leaves, snow, debris, etc.
- Verify termination cap clearance to subsequent construction (building additions, decks, fences, or sheds). See Section 6.
- Inspect for corrosion or separation.
- Verify weather stripping, sealing and flashing remains intact.
- Inspect draft shield to verify it is not damaged or missing.

B. Maintenance Tasks-Qualified Service Technician

The following tasks must be performed by a qualified service technician.

Gasket Seal and Glass Assembly Inspection

Frequency: Annually

By: Qualified Service Technician

Tools needed: Protective gloves, drop cloth and a stable work surface.

- Inspect gasket seal and its condition.
- Inspect fixed glass assembly for scratches and nicks that can lead to breakage when exposed to heat.
- Confirm there is no damage to glass or glass frame. Replace as necessary.
- Verify that fixed glass assembly is properly retained and attachment components are intact and not damaged. Replace as necessary.

Firebox

Frequency: Annually

By: Qualified Service Technician

Tools needed: Protective gloves, sandpaper, steel wool, cloths, mineral spirits, primer and touch-up paint.

- Inspect for paint condition, warped surfaces, corrosion or perforation. Sand and repaint as necessary.
- Replace fireplace if firebox has been perforated.

Control Compartment and Firebox Top

Frequency: Annually

By: Qualified Service Technician

Tools needed: Protective gloves, vacuum cleaner, dust cloths

- Vacuum and wipe out dust, cobwebs, debris or pet hair. Use caution when cleaning these areas. Screw tips that have penetrated the sheet metal are sharp and should be avoided.
- Remove all foreign objects.
- Verify unobstructed air circulation.

Burner Ignition and Operation

Frequency: Annually

By: Qualified Service Technician

Tools needed: Protective gloves, vacuum cleaner, whisk broom, flashlight, voltmeter, indexed drill bit set, and a manometer.

- Verify burner is properly secured and aligned with pilot or igniter.
- Clean off burner top, inspect for plugged ports, corrosion or deterioration. Replace burner if necessary.
- Check for smooth lighting and ignition carryover to all ports. Verify that there is no ignition delay.
- Inspect for lifting or other flame problems.
- Verify air shutter setting is correct. See Section 15.C. for required air shutter setting. Verify air shutter is clear of dust and debris.
- Inspect orifice for soot, dirt and corrosion. Verify orifice size is correct. See Service Parts List for proper orifice sizing.
- Verify manifold and inlet pressures. Adjust regulator as required.
- Inspect pilot flame pattern and strength. See Figure 3.3 for proper pilot flame pattern. Clean or replace orifice spud as necessary.
- Inspect thermocouple/thermopile or IPI flame sensing rod for soot, corrosion and deterioration. Clean with emery cloth or replace as required.
- Verify thermocouple/thermopile or IPI millivolt output. Replace as necessary.

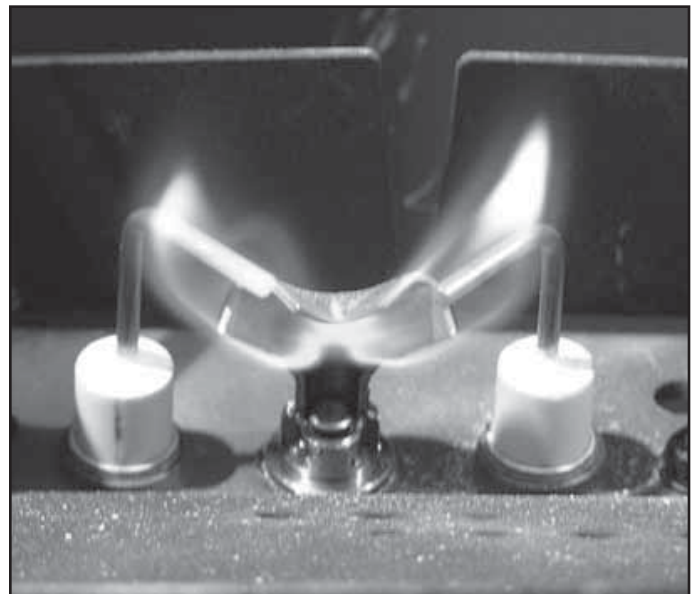


Figure 3.3 IPI Flame Patterns

Light Glass Replacement/Cleaning

Frequency: Annually

By: Qualified Service Technician

Tools needed: Protective gloves

- Disconnect power to fireplace.
- Remove the “L” plates and inner surround frame (see surround install). This will make the valve compartment and glass accessible.

CAUTION! The surround kit is heavy. We recommend two installers to move the frames.

- Loosen the two thumb screws on the glass frame above the LED light bar. See Figure 3.4.
- Slide the frame forward and out. Unplug LED light bar and remove glass frame assembly.
- Ensure glass frame is clean of debris or replace if needed..

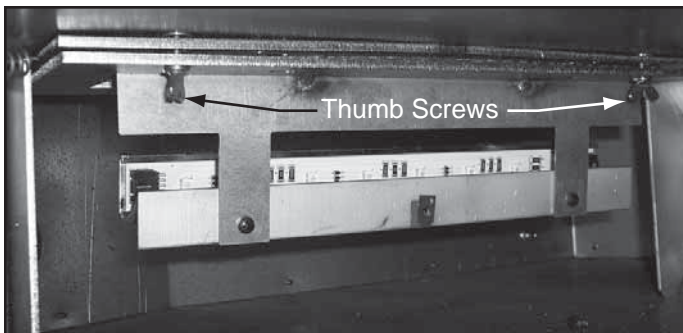


Figure 3.4 Loosen Glass Frame

- Reinstall glass frame. The frame must be hooked on both shoulder screws on the firebox bottom. See Figure 3.5.
- Slide glass and gasket into glass frame ensuring the glass is centered into inner frame.
- Install both thumb screws through glass frame and into firebox bottom.
- Ensure the glass is fully seated and that the thumb screws are tight.
- Plug in light bar.
- Reinstall “L” plates.

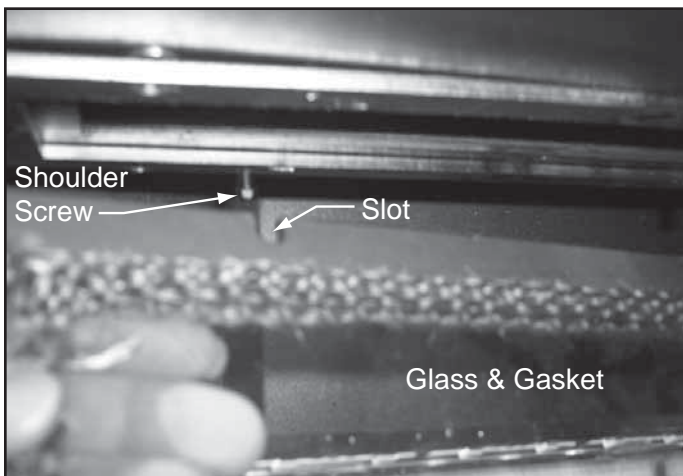


Figure 3.5 Reinstall Glass Frame

LED Light Bar Replacement

Frequency: As needed

By: Qualified Service Technician

Tools needed: Protective gloves, phillips screwdriver

- Disconnect power to fireplace.
- Remove the “L” plates and inner surround frame (see surround install). This will make the valve compartment and light bar accessible.
- Remove the two screws securing the light bar on the front of the bracket.
- Release the 4-pin connector jumper wire between the lights to remove the light strip.
- Install new light bar (shown in Fig. 3.6).

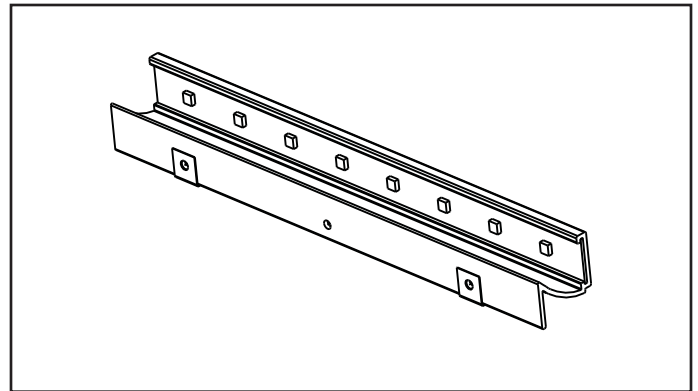


Figure 3.6 Light Bar

Clean Porcelain Panels

Frequency: As needed

By: Qualified Service Technician

Tools needed: Protective gloves, phillips screwdriver

- Disconnect power to fireplace.
- Remove the "L" plates and inner surround frame (see surround install). This will make the valve compartment and glass accessible. (Refer to Section 3.A. Glass Cleaning.)
- Remove glass rock, set aside.

Note: Mark and note burner tube locations. They are not interchangeable (Figure 3.7).

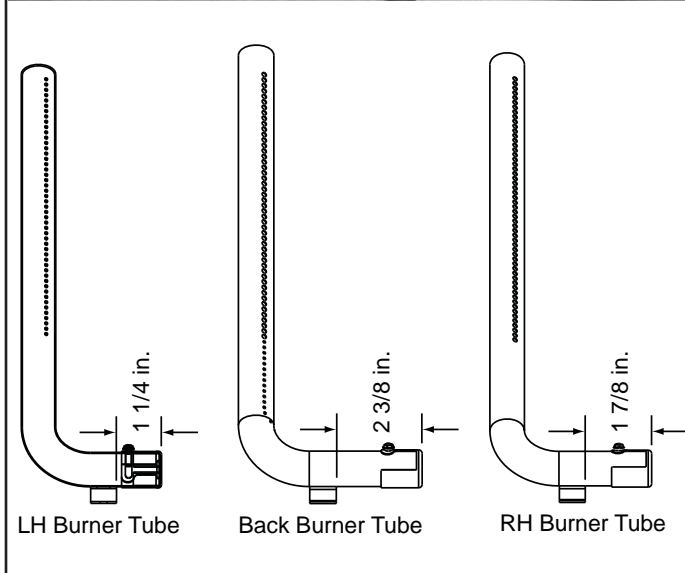
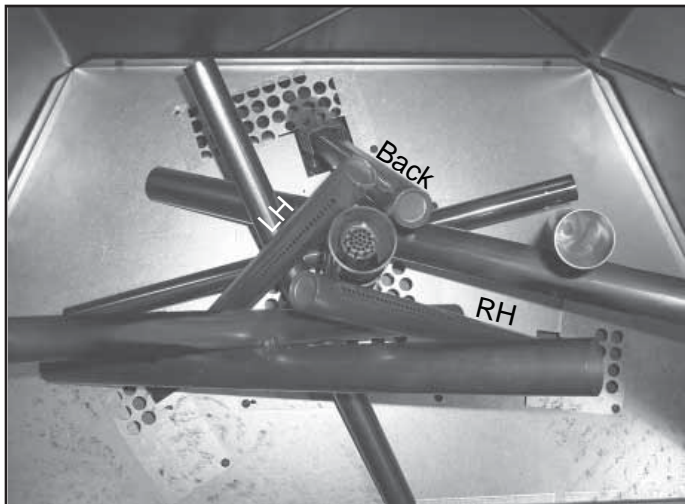


Figure 3.7 Burner Tube ID

- Remove three cover plates by removing two screws from each plate. See Figure 3.8.

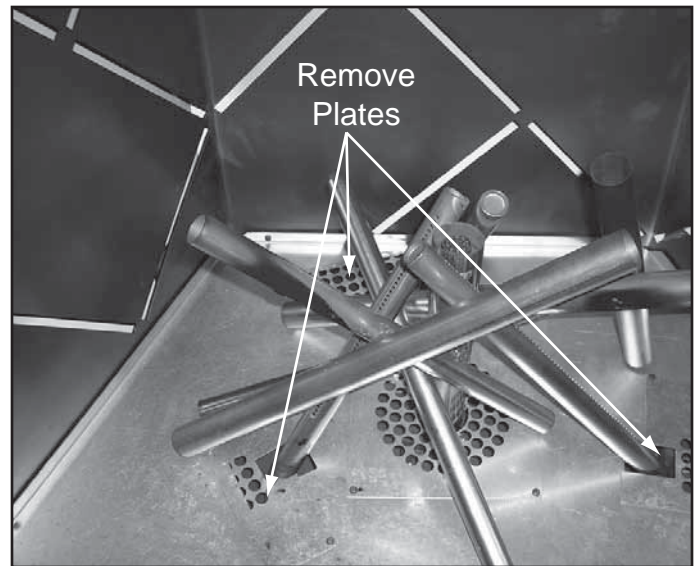


Figure 3.8 Remove Three Plates

- Remove three outside burner tubes by removing two screws on each tube. See Figure 3.9.

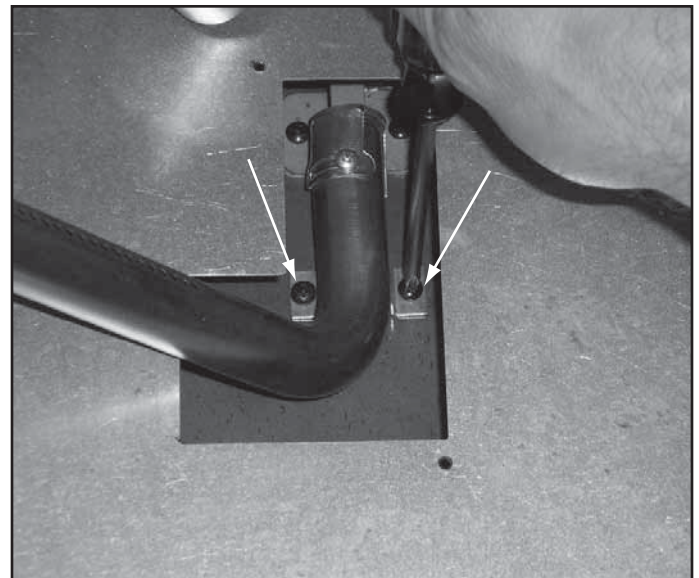


Figure 3.9 Remove Outside Burner Tubes

- Remove decorative steel log assembly by removing 3 screws, lifting up and out (Figure 3.10).

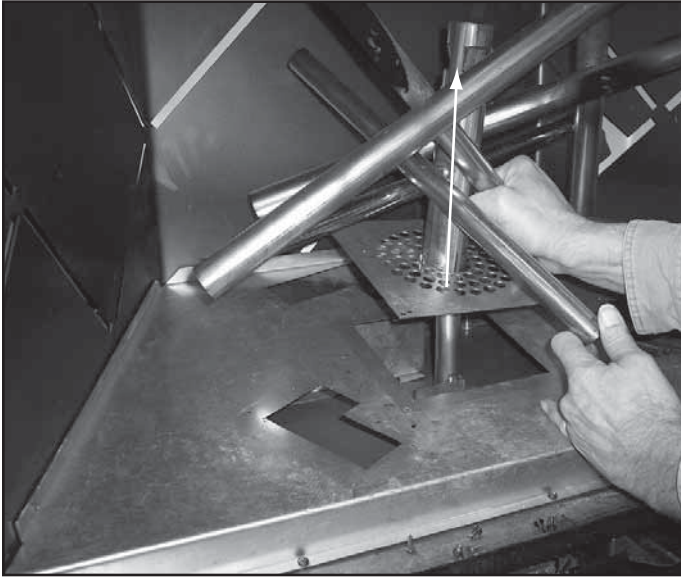


Figure 3.10 Remove Decorative Steel Log Assembly

- Remove center burner tube by removing two screws. See Figure 3.11.

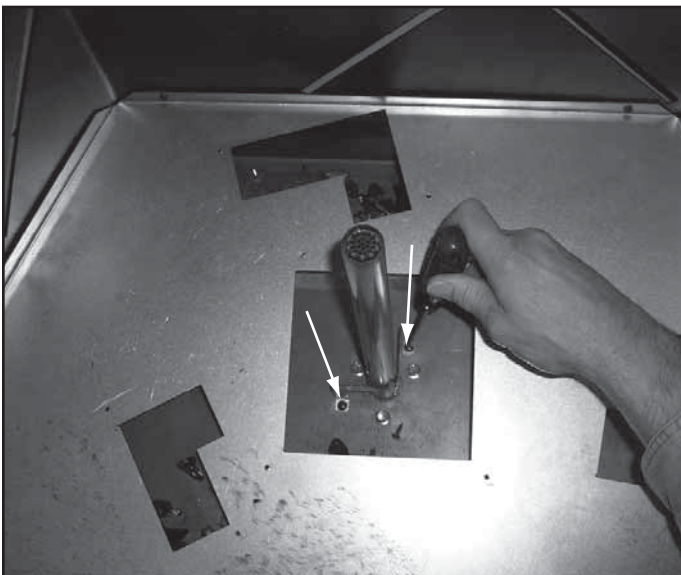


Figure 3.11 Remove Center Burner Tube

- Remove pilot shield by removing four screws. See Figure 3.12.

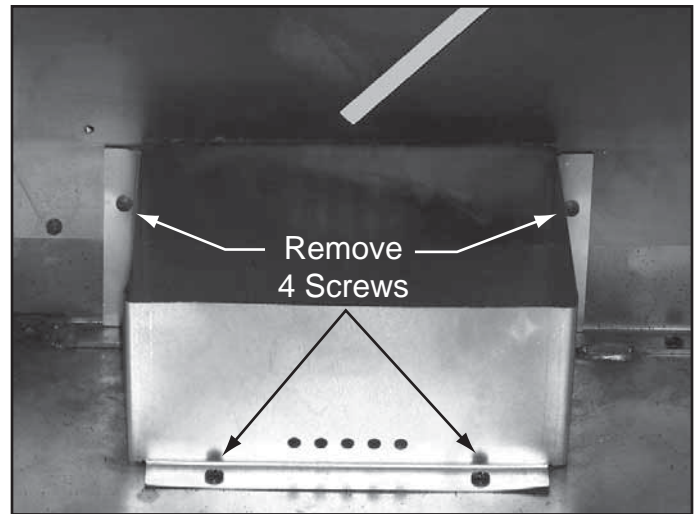


Figure 3.12 Remove Pilot Shield

- Remove hearth pan by removing 7 screws. See Figure 3.13.

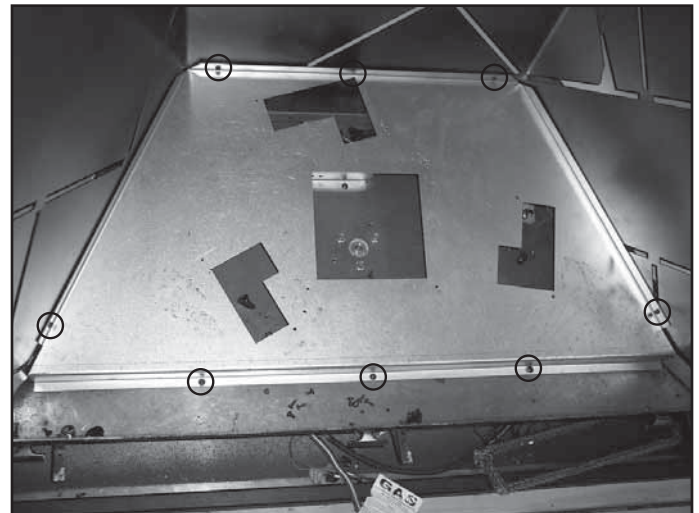


Figure 3.13 Remove Hearth Pan

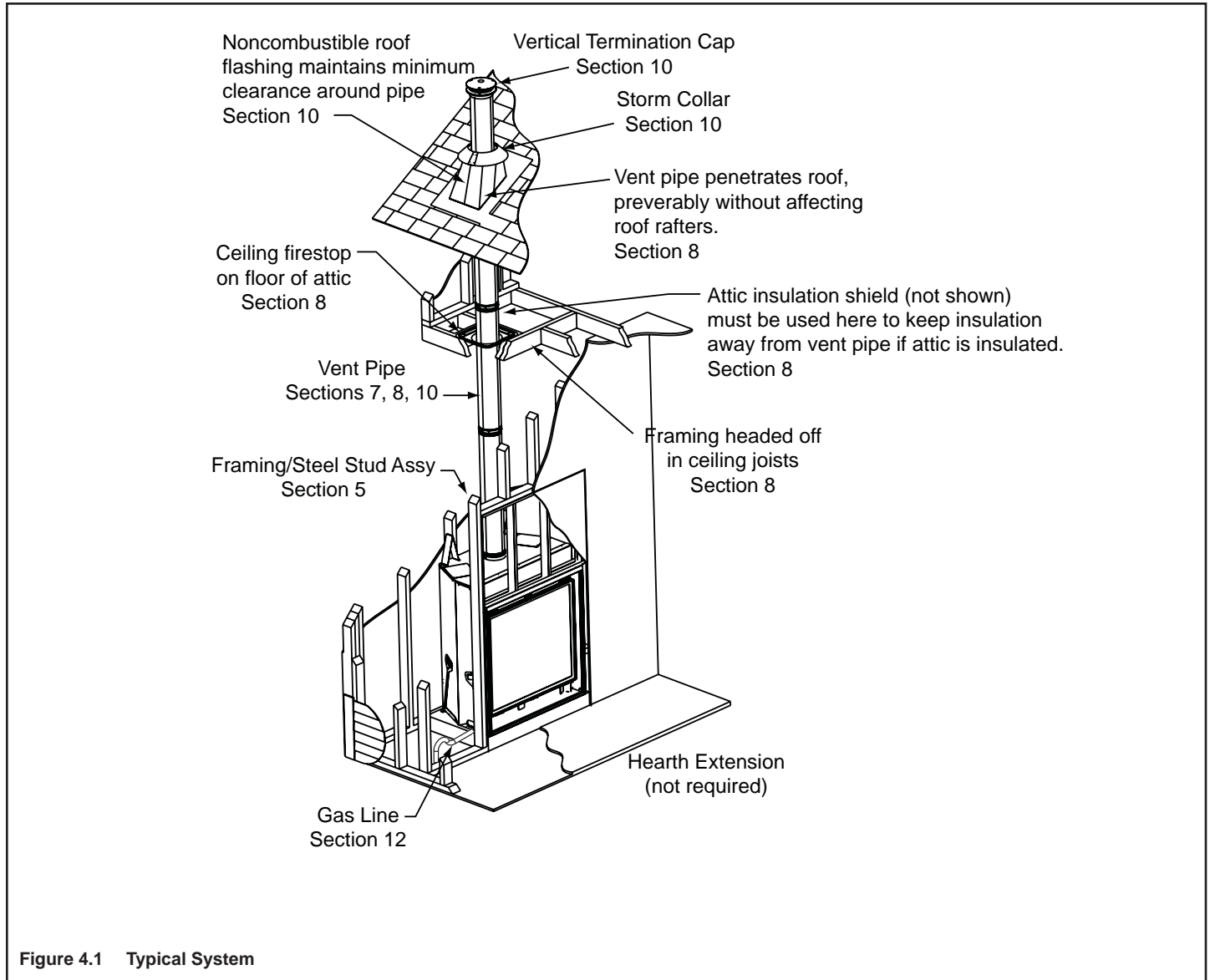
- Remove refractory:
 - Remove six bottom screws in refractory, then remove the two top screws.
 - Pull front refractory flanges inward until they clear the firebox flange.
 - Slide refractory forward while lifting back of refractory over pilot. Continue sliding forward evenly until refractory is out.
- Clean porcelain panels with a soft, dry cloth.
- Reinstall refractory, center burner tube, decorative steel log assembly, outside burner tubes, cover plates, glass rocks.

4 Getting Started

Installer Guide

A. Typical Appliance System

NOTICE: Illustrations and photos reflect typical installations and are for design purposes only. Illustrations/diagrams are not drawn to scale. Actual product may vary from pictures in manual



Hearth & Home Technologies disclaims any responsibility for, and the warranty will be voided by, the following actions:

- Installation and use of any damaged appliance or vent system component.
- Modification of the appliance or vent system.
- Installation other than as instructed by Hearth & Home Technologies.
- Improper positioning of the decorative steel log assembly or the glass door.
- Installation and/or use of any component part not approved by Hearth & Home Technologies.

Any such action may cause a fire hazard.

B. Design and Installation Considerations

Heat & Glo direct vent gas appliances are designed to operate with all combustion air siphoned from outside of the building and all exhaust gases expelled to the outside. No additional outside air source is required.

Installation **MUST** comply with local, regional, state and national codes and regulations. Consult insurance carrier, local building inspector, fire officials or authorities having jurisdiction over restrictions, installation inspection and permits.

Before installing, determine the following:

- Where the appliance is to be installed.
- The vent system configuration to be used.
- Gas supply piping.
- Electrical wiring requirements.
- Framing and finishing details.

Improper installation, adjustment, alteration, service or maintenance can cause injury or property damage. For assistance or additional information, consult a qualified service technician, service agency or your dealer.

C. Tools and Supplies Needed

Before beginning the installation be sure that the following tools and building supplies are available.

Tape measure	Framing material
Pliers	Non-corrosive leak check solution
Hammer	Phillips screwdriver
Gloves	Framing square
Voltmeter	Electric drill and bits (1/4 in.)
Plumb line	Safety glasses
Level	Reciprocating saw
Manometer	Flat blade screwdriver

1/2 - 3/4 in. length, #6 or #8 Self-drilling screws

Caulking material (300°F minimum continuous exposure rating)

One 1/4 in. female connection (for optional fan).

WARNING! Risk of Fire, Explosion or Electric Shock!
DO NOT use this appliance if any part has been under water. Call a qualified service technician to inspect the appliance and to replace any part of the control system and/or gas control which has been under water.

D. Inspect Appliance and Components

- Carefully remove the appliance and components from the packaging (refer to Figure 4.2).
 - Remove steel stud kit. Remove the shipping strap holding the cement board in place by removing the screws. Discard strap, replace screws.
 - Remove screws holding four shipping brackets to pallet before trying to move unit.
 - Remove the three packages of glass rock from the top of the unit and the shipping spacer from the top of the flue.
 - Remove screw from top of each carrying handle. Handles have been provided to assist in moving the unit.
- The vent system components and decorative doors and fronts are shipped in separate packages.
- Report to your dealer any parts damaged in shipment, particularly the condition of the glass.
- Read all of the instructions before starting the installation. Follow these instructions carefully during the installation to ensure maximum safety and benefit.

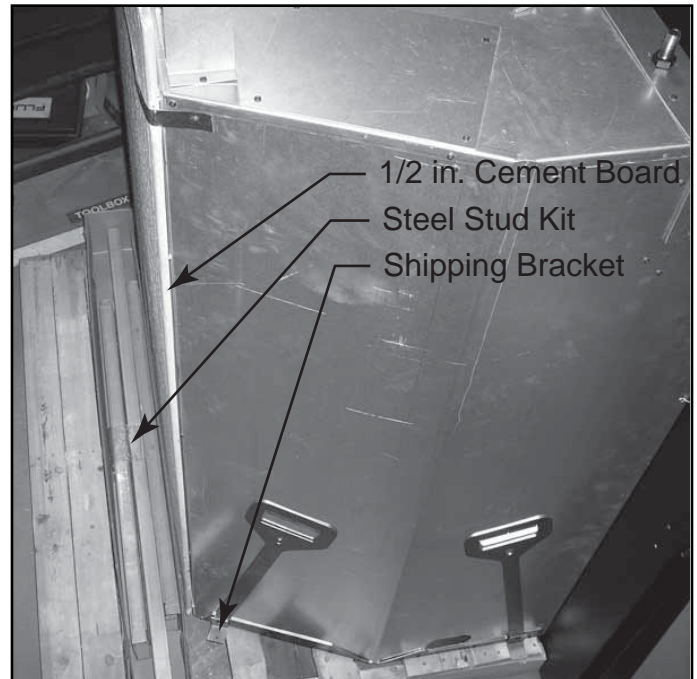


Figure 4.2 Shipping Locations

WARNING! Risk of Fire or Explosion! Damaged parts could impair safe operation. DO NOT install damaged, incomplete or substitute components. Keep appliance dry.

5 Framing and Clearances

A. Select Appliance Location

When selecting a location for the appliance it is important to consider the required clearances to walls (see Figure 5.1).

WARNING! Risk of Fire or Burns! Provide adequate clearance around air openings and for service access. Due to high temperatures, the appliance should be located out of traffic and away from furniture and draperies.

NOTICE: Illustrations reflect typical installations and are FOR DESIGN PURPOSES ONLY. Illustrations/diagrams are not drawn to scale. Actual installation may vary due to individual design preference.

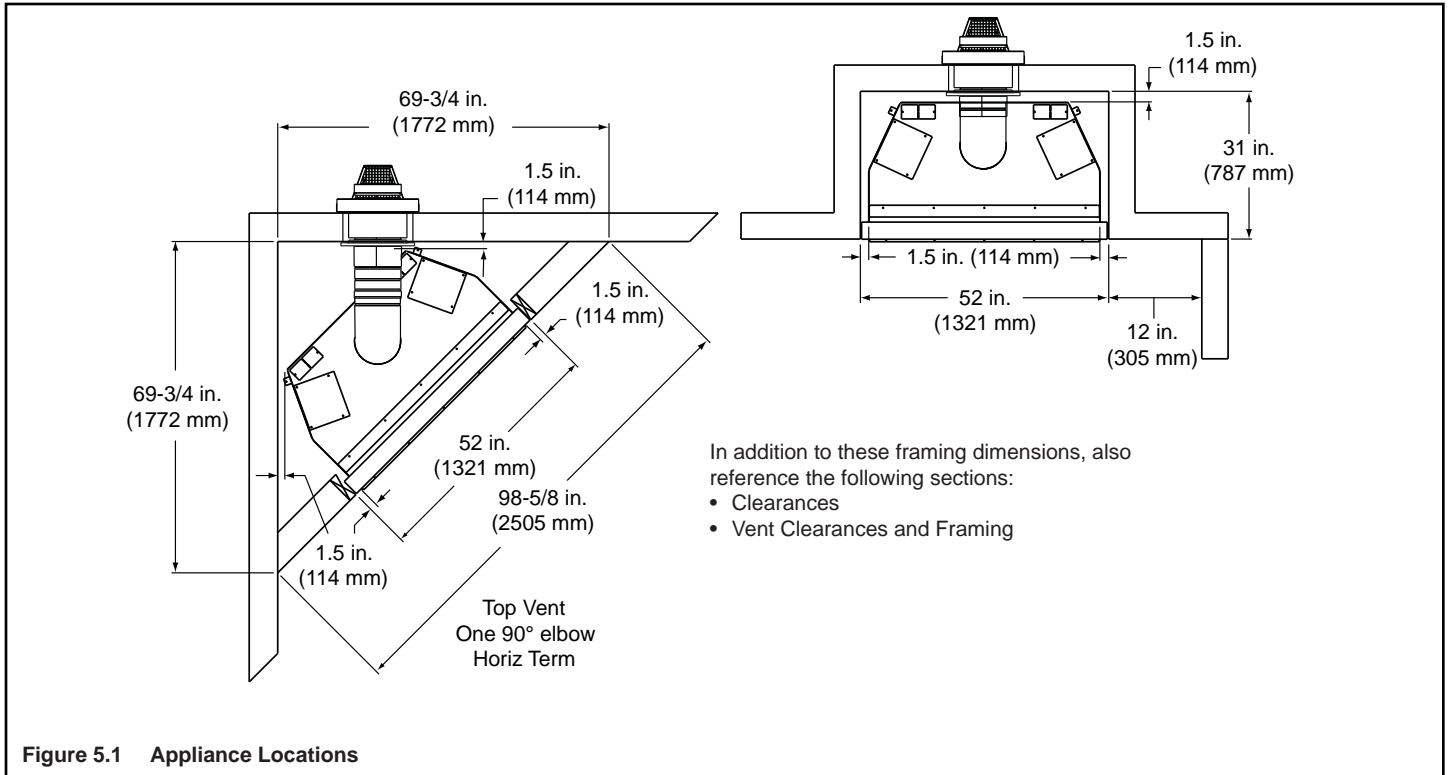


Figure 5.1 Appliance Locations

B. Assemble Steel Stud Kit

You must assemble and install the steel stud kit and attach the noncombustible cement board (provided). The steel track and studs are precut to the correct lengths.

- Lay out steel track and studs per Figure 5.2.
- Fasten track and studs together with the pierce-point screws to construct a 52 x 36 in. (1321 x 914 mm) assembly.
- Attach steel stud assembly to framing as shown in Figure 9.1.

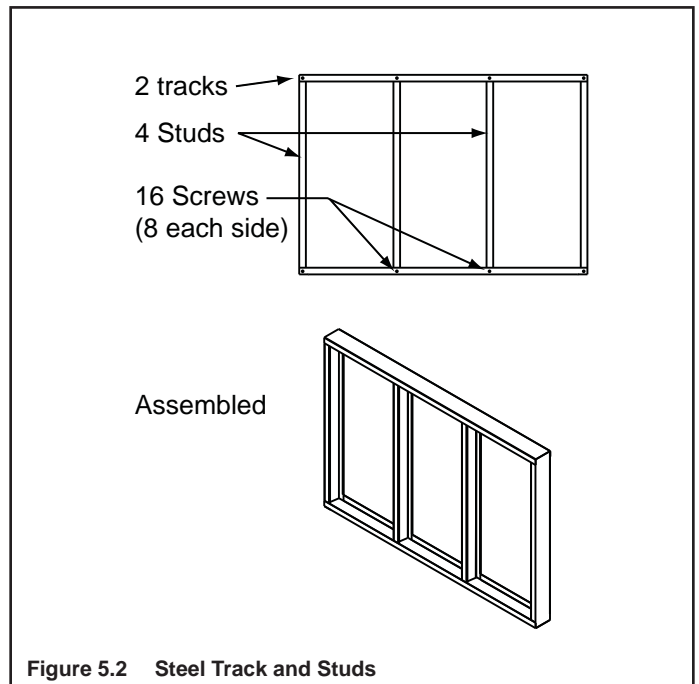


Figure 5.2 Steel Track and Studs

C. Construct the Appliance Chase

A chase is a vertical box-like structure built to enclose the gas appliance and/or its vent system. In cooler climates the vent should be enclosed inside the chase.

NOTICE: Treatment of ceiling firestops and wall shield firestops and construction of the chase may vary with the type of building. These instructions are not substitutes for the requirements of local building codes. Therefore, you **MUST** check local building codes to determine the requirements to these steps.

Chases should be constructed in the manner of all outside walls of the home to prevent cold air drafting problems. The chase should not break the outside building envelope in any manner.

Walls, ceiling, base plate and cantilever floor of the chase should be insulated. Vapor and air infiltration barriers should be installed in the chase as per regional codes for the rest of the home. Additionally, in regions where cold air infiltration may be an issue, the inside surfaces may be sheetrocked and taped for maximum air tightness.

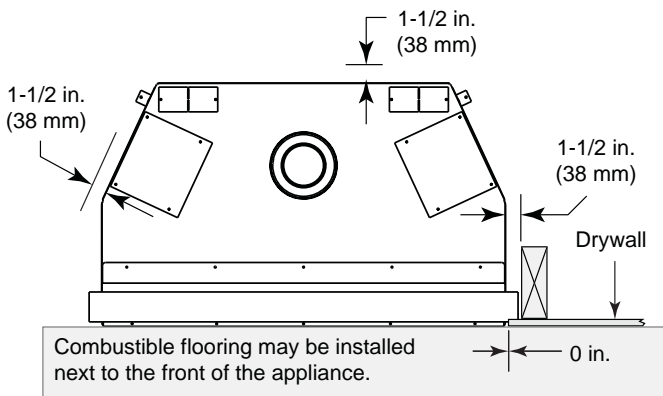
To further prevent drafts, the wall shield and ceiling firestops should be caulked with caulk with a minimum of 300°F continuous exposure rating to seal gaps. Gas line holes and other openings should be caulked with caulk with a minimum of 300°F continuous exposure rating or stuffed with unfaced insulation. If the appliance is being installed on a cement slab, a layer of plywood may be placed underneath to prevent conducting cold up into the room.

D. Clearances

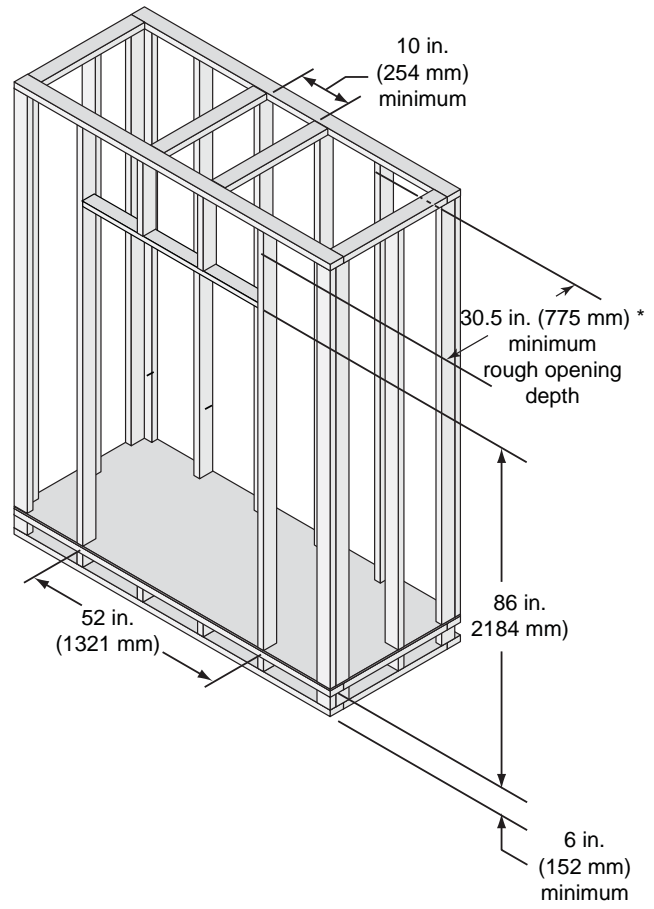
NOTICE: Install appliance on hard metal or wood surfaces extending full width and depth. **DO NOT** install directly on carpeting, vinyl, tile or any combustible material other than wood.

WARNING! Risk of Fire! Maintain specified air space clearances to appliance and vent pipe:

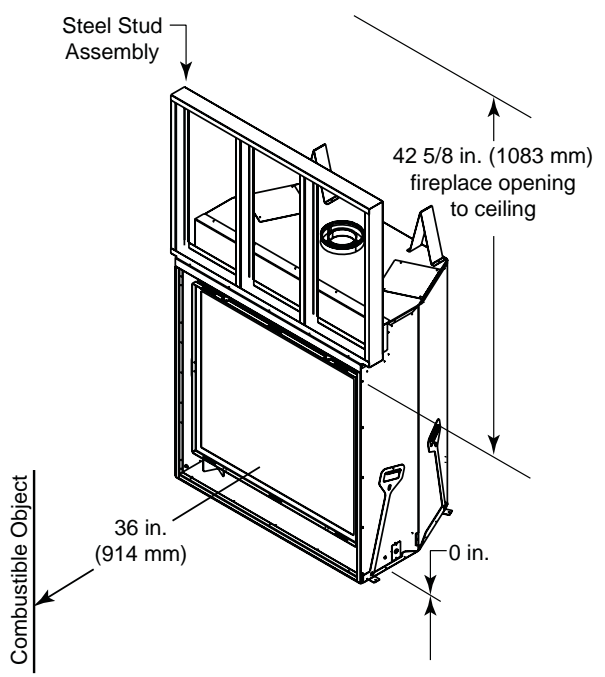
- Insulation and other materials must be secured to prevent accidental contact.
- The chase must be properly blocked to prevent blown insulation or other combustibles from entering and making contact with fireplace or chimney.
- Failure to maintain airspace may cause overheating and a fire.
- Refer to Figure 5.3.



Note: The appliance MUST be installed on a minimum 6 in. (152 mm) high platform to accommodate the front face.



* If the inside of the chase is to be finished, add the thickness of the finish material to this dimension.



IMPORTANT NOTICE! When setting this appliance, you MUST consider what type of wall finishing will be used. Refer to Section 14.

Figure 5.3 Clearances to Combustibles

6 Termination Locations

A. Vent Termination Minimum Clearances

⚠ WARNING

Fire Risk.
Maintain vent clearance to combustibles as specified.

- DO NOT** pack air space with insulation or other materials.

Failure to keep insulation or other materials away from vent pipe may cause overheating and fire.

H (min.) - Minimum height from roof to lowest discharge opening.

Roof Pitch	H (Min.) Ft.	Roof Pitch	H (Min.) Ft.
Flat to 6/12	1.0*	Over 11/12 to 12/12	4.0
Over 6/12 to 7/12	1.25*	Over 12/12 to 14/12	5.0
Over 7/12 to 8/12	1.5*	Over 14/12 to 16/12	6.0
Over 8/12 to 9/12	2.0*	Over 16/12 to 18/12	7.0
Over 9/12 to 10/12	2.5	Over 18/12 to 20/12	7.5
Over 10/12 to 11/12	3.25	Over 20/12 to 21/12	8.0

* 3 ft. minimum in snow regions

Figure 6.1 Minimum Height From Roof To Lowest Discharge Opening

A	B
6 in. (minimum) up to 20 in. <i>152 mm/508 mm</i>	18 in. minimum <i>457 mm</i>
20 in. and over	0 in. minimum

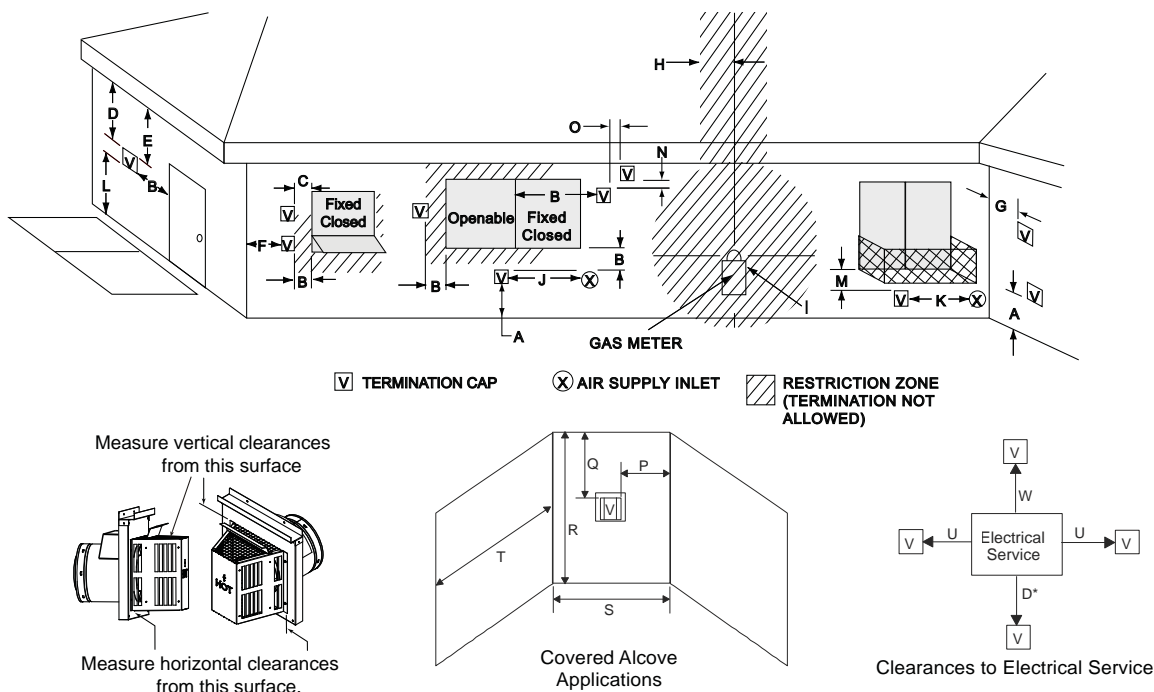
Gas, Wood or Fuel Oil Termination Cap

Gas Termination Cap **

* If using decorative cap cover(s), this distance may need to be increased. Refer to the installation instructions supplied with the decorative cap cover.

** In a staggered installation with both gas and wood or fuel oil terminations, the wood or fuel oil termination cap must be higher than the gas termination cap.

Figure 6.2 Multiple Termination Caps



Dimension Descriptions

- A Clearance above the ground, a veranda, porch, deck or balcony - 12 in. (30 cm) minimum. *
- B Clearance to window or door that may be opened – 10,000 BTUs or less, 6 in. (15 cm) minimum; 10,000-50,000 BTUs, 9 in. (23 cm) minimum; over 50,000 BTUs, 12 in. (30 cm) minimum. *
- C Clearance to permanently closed window – 12 in. (30 cm) minimum - recommended to prevent condensation on window.
- D Vertical clearance to ventilated soffit located above the termination within a horizontal distance of 2 ft (60 cm) from the centerline of the termination – 18 in. (46 cm) minimum. **
- E Vertical clearance to unventilated soffit - 12 in. (30 cm) minimum. **
- F Clearance to outside corner - 6 in. (15 cm) minimum.
- G Clearance to inside corner - 6 in. (15 cm) minimum.
- H Not to be installed above a meter/regulator assembly within 3 ft (90 cm) horizontally* from the center line of the regulator (Canada only)
- I Clearance to service regulator vent outlet – 3 ft (.91 m) U.S. minimum and 3 ft (.91 m) Canada minimum. *
- J Clearance to non-mechanical air supply inlet into building or the combustion air inlet to any other appliance – 9" (23 cm) U.S. minimum and 12 in. (30 cm) Canada minimum. *
- K Clearance to mechanical air supply inlet - 3 ft (.91 m) U.S. minimum and 6 ft (1.8 m) Canada minimum. *
- L Clearance above a paved sidewalk or paved driveway located on public property - 7 ft (2.1 m) minimum.
A vent may not terminate directly above a sidewalk or paved driveway which is located between two single family dwellings and serves both dwellings.
- M Clearance under veranda, porch, deck or balcony - 12 in. (30 cm) minimum. * Recommended 30 in. (76 cm) for vinyl or plastic.
Only permitted if veranda, porch, deck or balcony is fully open on a minimum of 2 sides beneath the floor. *
- N Vertical clearance between two horizontal termination caps – 12 in. (30 cm) minimum.
- O Horizontal clearance between two horizontal termination caps – 12 in. (30 cm) minimum.

- P 6" - Non-vinyl sidewalls
12" – Vinyl sidewalls
- Q 18" – Non-vinyl soffit and overhang
42" – Vinyl soffit and overhang
- R 8 ft.

	S_{min}	T_{max}
1 cap	3 ft	2 x S actual
2 caps	6 ft	1 x S actual
3 caps	9 ft	2/3 x S actual
4 caps	12 ft	1/2 x S actual
S_{min} = # term caps x 3		T_{max} = (2/# term caps) x S (actual)

- U 6" min. – Clearance from sides of electrical service.
- W 12" min. – Clearance above electrical service.
- * As specified in CGA B149 Installation Codes
Note: Local codes or regulations may require different clearances.
- ** Clearance required to vinyl soffit material – 30 in. (76 cm) minimum.
Note: Location of the vent termination must not interfere with access to the electrical service.

WARNING!

In the U.S.: Vent system termination is NOT permitted in screened porches. You must follow side wall, overhang and ground clearances as stated in the instructions.

In Canada: Vent system termination is NOT permitted in screened porches. Vent system termination is permitted in porch areas with two or more sides open. You must follow all side wall, overhang and ground clearances as stated in the instructions.

Hearth & Home Technologies assumes no responsibility for the improper performance of the appliance when the venting system does not meet these requirements.

Figure 6.3 Minimum Clearances for Termination

CAUTION: IF EXTERIOR WALLS ARE FINISHED WITH VINYL SIDING, IT IS SUGGESTED THAT A VINYL PROTECTOR KIT BE INSTALLED.

7 Vent Information and Diagrams

A. Approved Pipe

This appliance is approved for use with Hearth & Home Technologies DVP venting systems. Refer to Section 17.B. for vent component information.

DO NOT mix pipe, fittings or joining methods from different manufacturers.

The pipe is tested to be run inside an enclosed wall. There is no requirement for inspection openings at each joint within the wall.

WARNING! Risk of Fire or Asphyxiation. This appliance requires a separate vent. **DO NOT** vent to a pipe serving a separate solid fuel burning appliance.

B. Vent Table Key

The abbreviations listed in this vent table key are used in the vent diagrams.

Symbol	Description
V ₁	First section (closest to appliance) of vertical length
V ₂	Second section of vertical length
H ₁	First section (closest to appliance) of horizontal length
H ₂	Subsequent sections of horizontal length

C. Use of Elbows

Diagonal runs have both vertical and horizontal vent aspects when calculating the effects. Use the rise for the vertical aspect and the run for the horizontal aspect (see Figure 7.1).

Two 45° elbows may be used in place of one 90° elbow. On 45° runs, one foot of diagonal is equal to 8-1/2 in. (216 mm) horizontal run and 8-1/2 in. (216 mm) vertical run. A length of straight pipe is allowed between two 45° elbows (see Figure 7.1).

D. Measuring Standards

Vertical and horizontal measurements listed in the vent diagrams were made using the following standards.

- Pipe measurements are shown using the effective length of pipe (see Figure 7.2).
- Horizontal terminations are measured to the outside mounting surface (flange of termination cap) (see Figure 6.3).
- Vertical terminations are measured to bottom of termination cap.
- Horizontal pipe installed level with no rise.

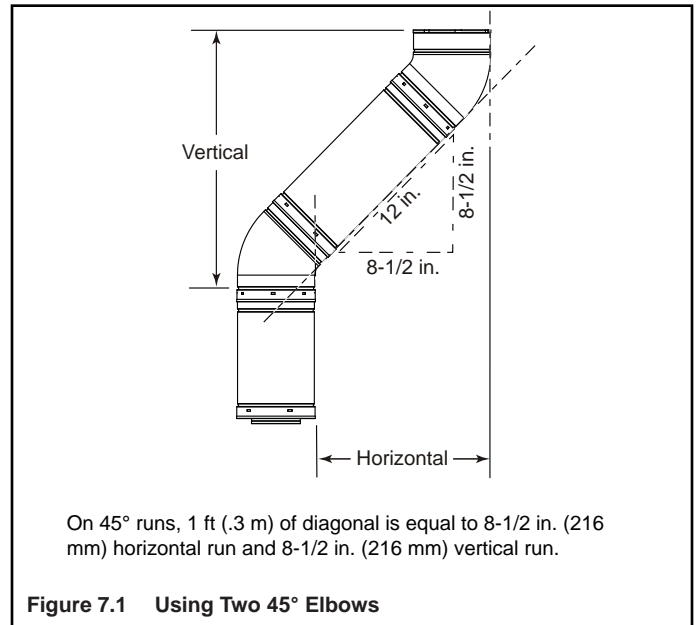


Figure 7.1 Using Two 45° Elbows

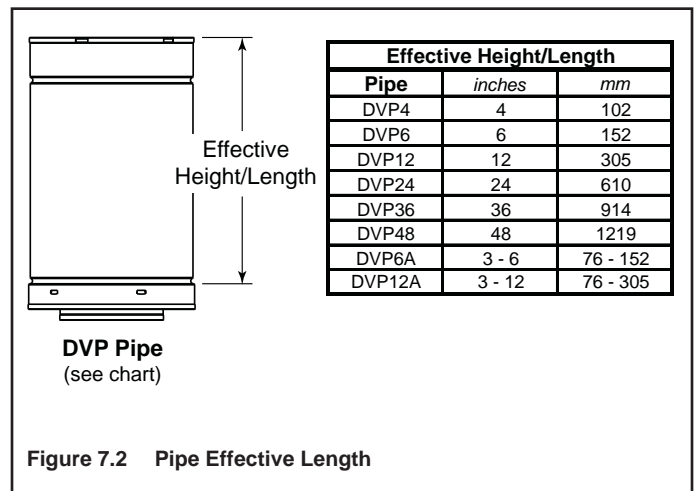


Figure 7.2 Pipe Effective Length

E. Vent Diagrams

To replace the first starter elbow with two 45° elbows, refer to Figure 7.4. All other 90° elbows can be replaced with two 45° elbows.

General Rules:

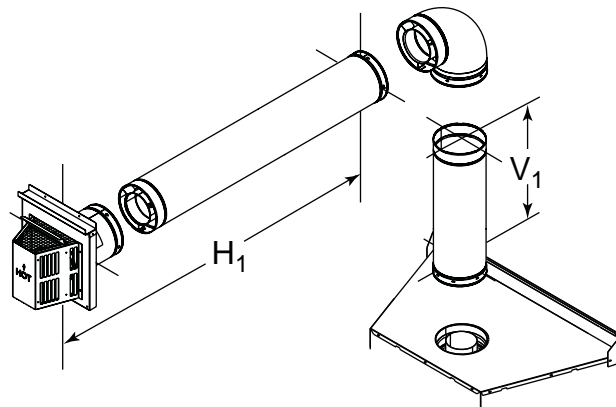
- SUBTRACT 3 ft. from the total H measurement for each 90° elbow installed horizontally.
- SUBTRACT 1-1/2 ft. from the total H measurement for each 45° elbow installed horizontally.
- A maximum of three 90° elbows (or six 45° elbows) may be used in any vent configuration.

NOTICE: DO NOT install elbows horizontally.

- Elbows may be placed back to back anywhere in the system as long as the first 90° elbow is a starter elbow except as shown in Figure 7.4.
- When penetrating a combustible wall, a wall shield firestop must be installed.
- When penetrating a combustible ceiling, a ceiling firestop must be installed.
- Horizontal runs of vent do not require vertical rise; horizontal runs may be level.

1. Top Vent - Horizontal Termination

One Elbow



V1 Min.	V1 Max.	H1 Max.
3 ft (.91 m)	-	1.5 ft (.46 m)
4 ft (1.22 m)	-	6 ft (1.83 m)
5 ft (1.52)	-	11 ft (3.35 m)
6 ft (1.83 m)	-	13 ft (3.96 m)
7 ft (2.13 m)	-	15 ft (4.57 m)
10 ft (3.05 m)	25 ft (7.62 m)	20 ft (6.10 m)

Figure 7.3

1. Top Vent - Horizontal Termination - (continued)

Two 45° Elbows replacing One 90° Elbow

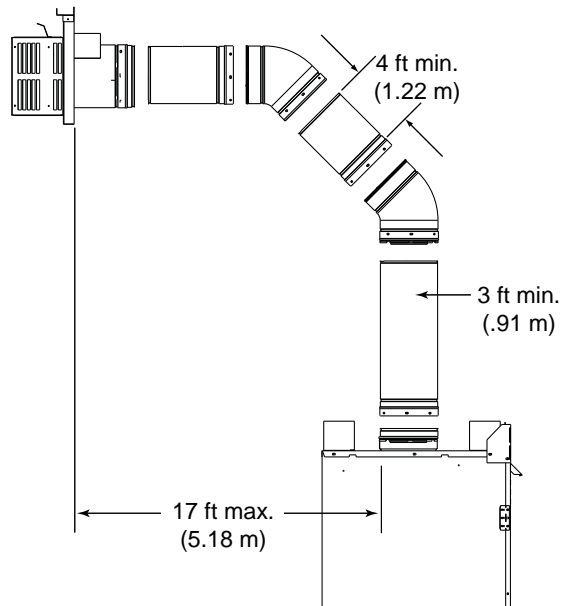


Figure 7.4

Three Elbows

V1	H1	V2	H2
3 ft (.91 m)	3 ft (.91 m)	4 ft (1.22 m)	4 ft (1.22 m)
6 ft (1.83 m)	8 ft (2.45 m)	8 ft (2.45 m)	12 ft (3.66 m)

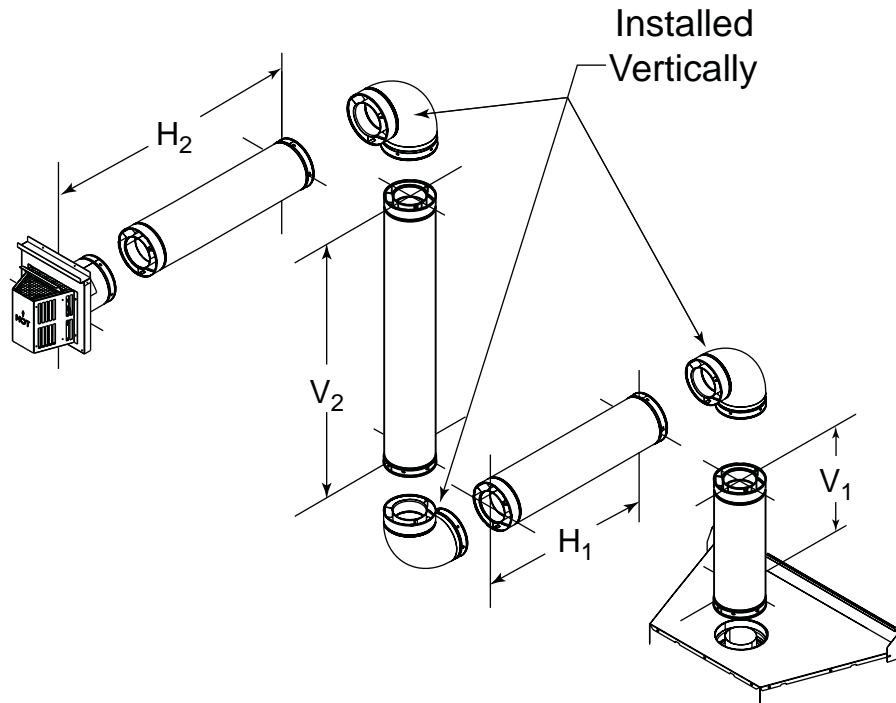


Figure 7.5

2. Top Vent - Vertical Termination

No Elbow

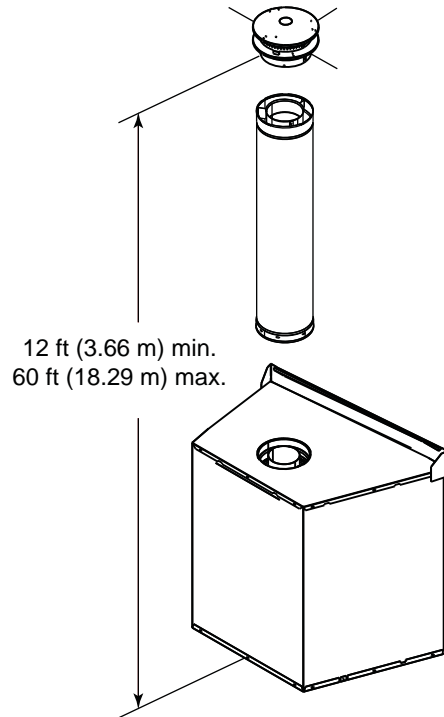


Figure 7.7

Two Elbows

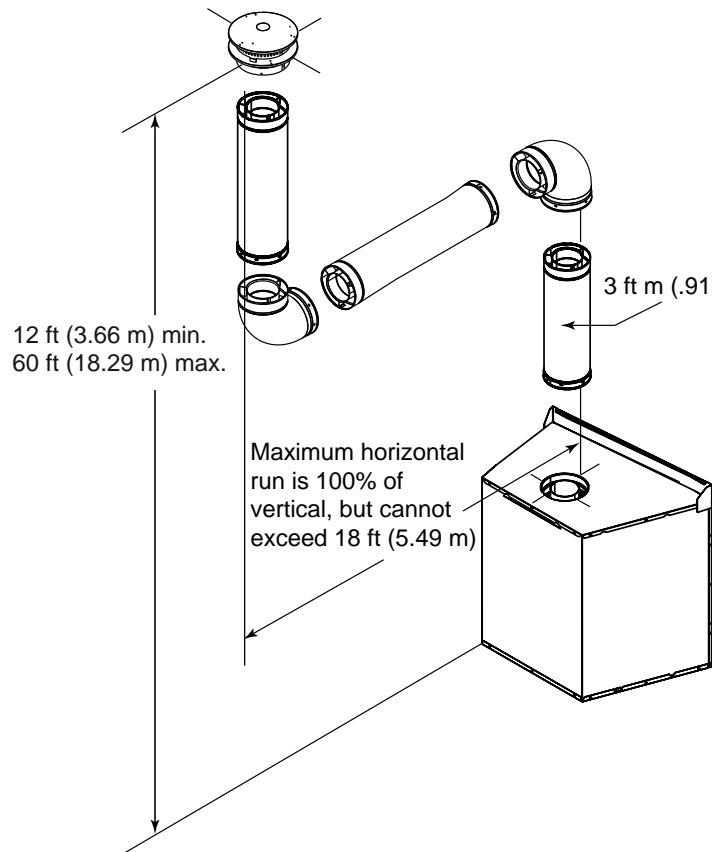


Figure 7.8

8 Vent Clearances and Framing

A. Pipe Clearances to Combustibles

Refer to Figure 8.1.

WARNING! Risk of Fire! Maintain air space clearance to vent. **DO NOT** pack insulation or other combustibles:

- Between ceiling firestops
- Between wall shield firestops
- Around vent system

Failure to keep insulation or other material away from vent pipe may cause over heating and fire.

B. Wall Penetration Framing

Refer to Figure 8.2.

Combustible Wall Penetration

Whenever a combustible wall is penetrated, you must frame a hole for the wall shield firestop(s). The wall shield firestop maintains minimum clearances and prevents cold air infiltration.

- The opening must be framed on all four sides using the same size framing materials as those used in the wall construction.
- A wall shield firestop is required on one side only on interior walls. If your local inspector requires a wall shield firestop on both sides, then both wall shield firestops must have a heat shield attached to them.
- See Section 10.I. for information for regarding the installation of a horizontal termination cap.

Noncombustible Wall Penetration

If the hole being penetrated is surrounded by noncombustible materials such as concrete, a hole with diameter one inch greater than the pipe is acceptable.

Whenever a noncombustible wall is penetrated, the wall shield firestop is only required on one side and no heat shield is necessary.

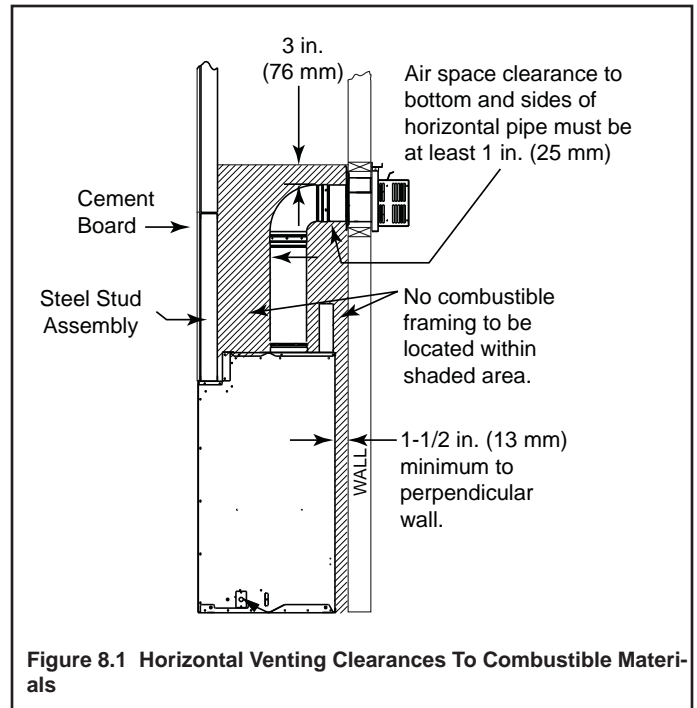


Figure 8.1 Horizontal Venting Clearances To Combustible Materials

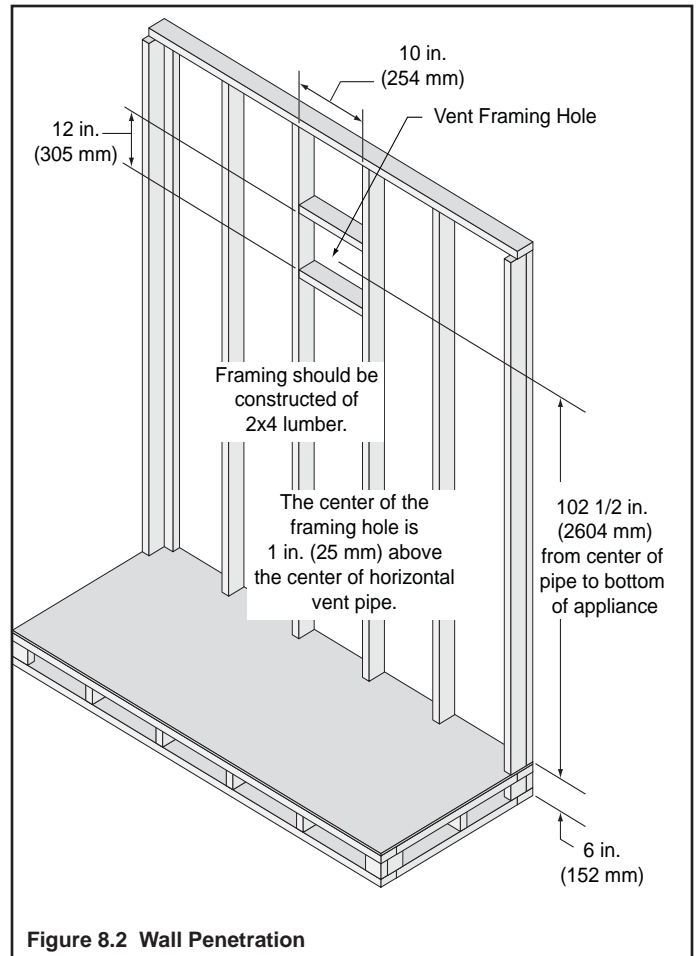


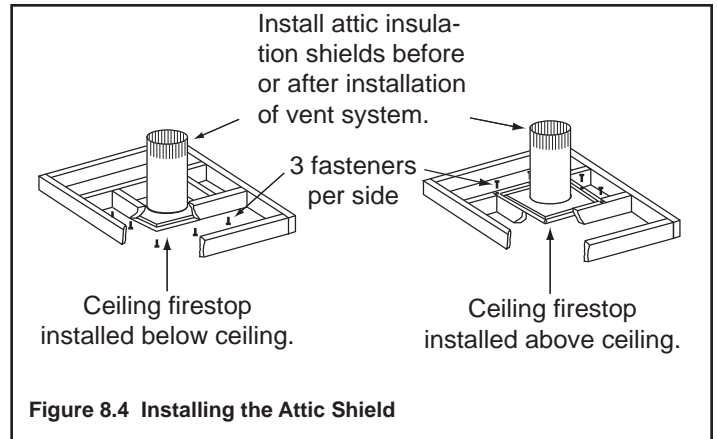
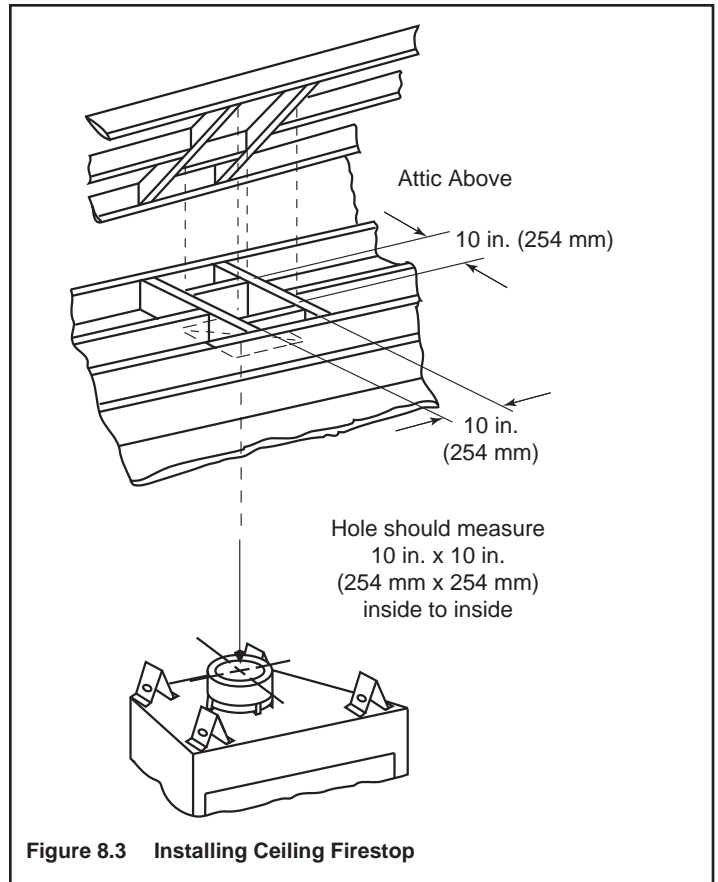
Figure 8.2 Wall Penetration

C. Install the Ceiling Firestop

A ceiling firestop **MUST** be used between floors and attics.

- Frame an opening 10 in. by 10 in. (254 mm by 254 mm) whenever the vent penetrates a ceiling/floor (see Figure 8.3).
- Frame the area with the same sized lumber as used in ceiling/floor joist.
- The ceiling firestop may be installed above or below the ceiling joists when installed with a attic insulation shield. It must be under joists between floors that are not insulated. Refer to Figure 8.4.
- Secure with three fasteners on each side.

WARNING! Risk of Fire! DO NOT pack insulation around the vent. Insulation must be kept back from the pipe to prevent overheating.



D. Install Attic Insulation Shield

WARNING! Fire Risk. DO NOT allow loose materials or insulation to touch vent. Hearth & Home Technologies Inc. requires the use of an attic shield.

The National Fuel Gas Code ANSI Z223.1 and NFPA 54 requires an attic shield constructed of 26 gauge minimum metal that extends at least 2 in. (51 mm) above insulation.

Attic shields must meet specified clearance and be secured in place.

Flat Ceiling Installation

- Remove one shield from box.

NOTICE: Cut previously installed batt insulation to make room for the attic insulation shield.

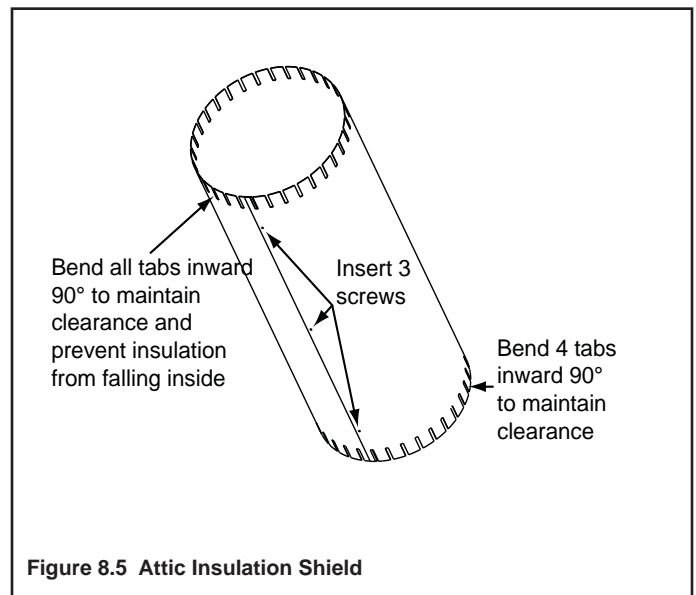
- Wrap shield around pipe if pipe is already installed in area to be insulated.
- Match the three holes in each side and fasten with three screws to form a tube.
- Bend three tabs on the bottom of the shield outward to allow attachment to the ceiling firestop.
- Bend the remaining bottom tabs inward 90° to maintain the air space between the pipe and the shield. Set the shield on the ceiling firestop and attach to the firestop.
- Bend all tabs inward 90° around the top of the shield. These tabs must be used to prevent blown insulation from getting between the shield and vent pipe, and to maintain air space clearance.

Vaulted Ceiling Installation

- Remove one shield from box.

NOTICE: Cut previously installed batt insulation to make room for the attic insulation shield.

- Cut the attic insulation shield (if application is for vaulted ceiling), to fit your ceiling pitch. Snip cut edge to recreate 1 in. bend tabs all the way around the bottom.
- Wrap shield around pipe if pipe is already installed in area to be insulated.
- Match the three holes in each side and fasten with three screws to form a tube.
- Bend three tabs on the bottom of the shield outward to allow attachment to the ceiling firestop.
- Bend the remaining bottom tabs inward 90° to maintain the air space between the pipe and the shield. Set the shield on the ceiling firestop and attach to the firestop.
- Bend all tabs inward 90° around the top of the shield. These tabs must be used to prevent blown insulation from getting between the shield and vent pipe, and to maintain air space clearance.



9 Appliance Preparation

A. Secure and Level the Appliance

WARNING! Risk of Fire! Prevent contact with:

- Sagging or loose insulation
- Insulation backing or plastic
- Framing and other combustible materials

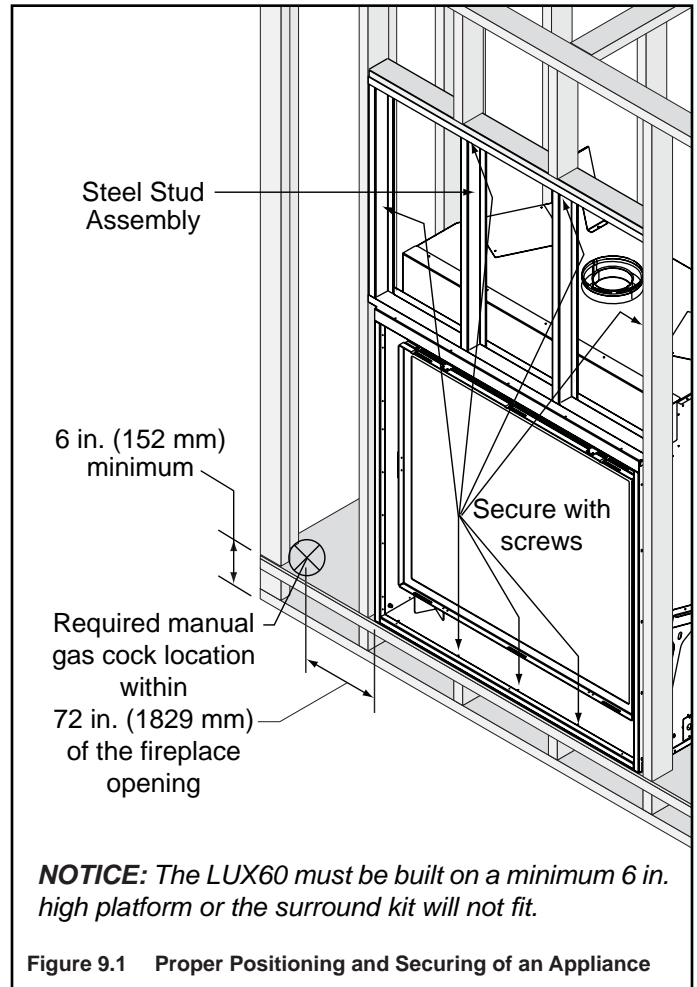
Block openings into the chase to prevent entry of blown-in insulation. Make sure insulation and other materials are secured.

DO NOT notch the framing around the appliance standoffs.

Failure to maintain air space clearance may cause overheating and fire.

Figure 9.1 shows how to properly position and secure the appliance.

- Place the appliance into position.
- Level the appliance from side to side and front to back.
- Shim the appliance as necessary. It is acceptable to use wood shims underneath the appliance.
- Secure the appliance to the framing with nails or screws.
- Secure the appliance to the floor by inserting two or three screws through the pilot holes at the bottom of the appliance.



IMPORTANT NOTICE! When setting this appliance, you **MUST** consider what type of wall finishing will be used. Refer to Section 14.

10 Install Vent Pipe

A. Assemble Vent Sections

Attach Pipe to the Firebox Assembly

Note: The end of the pipe sections with the lanced tabs will face towards the appliance.

Attach the first pipe section to the starting collar:

- Lanced pipe end to the starting collar
- Inner pipe over inner collar
- Push the pipe section until all lanced tabs snap in place
- Lightly tug on pipe to confirm it has locked.

Commercial, Multi-family (Multi-level exceeding two stories), or High-Rise Applications

All outer pipe joints must be sealed with silicone with a minimum of 300°F continuous exposure rating, including the slip section that connects directly to the horizontal termination cap.

- Apply a bead of silicone sealant inside the female outer pipe joint prior to joining sections. See Figure 10.1
- Only outer pipes need to be sealed. All unit collar, pipe, slip section, elbow and cap outer flues shall be sealed in this manner, unless otherwise stated.

WARNING! Risk of Fire or Explosion! DO NOT break silicone seals on slip sections. Use care when removing termination cap from slip pipe. If slip section seals are broken during removal of the termination cap, vent may leak.

Assemble Pipe Sections

- Start the inner pipe on the lanced end of section A into the flared end of section B.
- Start the outer pipe of section A over the outer pipe of section B.
- Once both vents sections are started, push firmly until all lanced tabs lock into place.
- Lightly tug on the pipe to confirm the tabs have locked.

It is acceptable to use screws no longer than 1/2 in. (13 mm) to hold outer pipe sections together. If predrilling holes, **DO NOT** penetrate inner pipe.

For 90° and 45° elbows that are changing the vent direction from horizontal to vertical, one screw minimum should be put in the outer flue at the horizontal elbow joint to prevent the elbow from rotating. Use screws no longer than 1/2 in. (13 mm). If predrilling screw holes, **DO NOT** penetrate inner pipe.

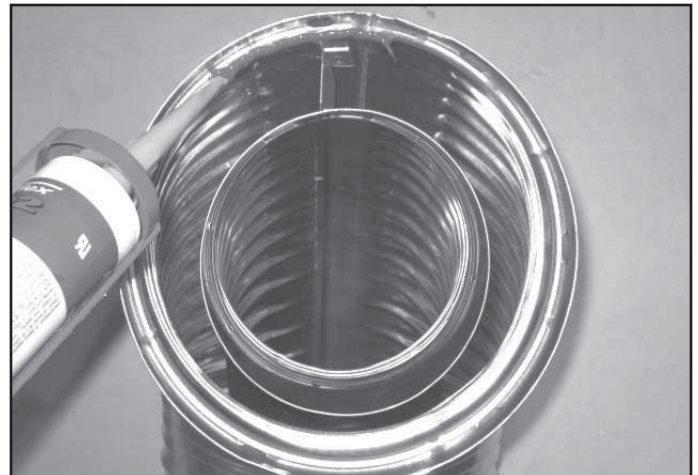


Figure 10.1 High Temperature Silicone Sealant

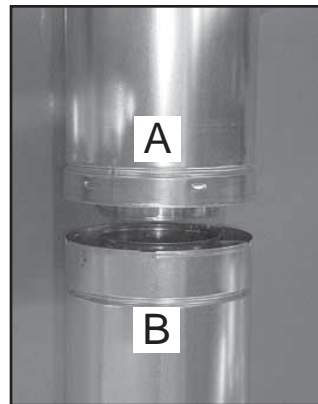


Figure 10.2

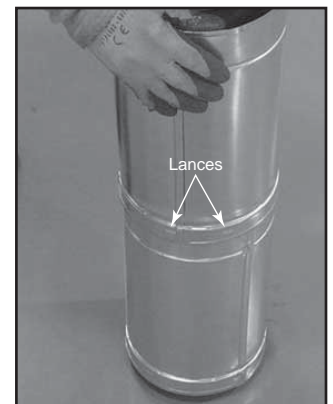


Figure 10.3

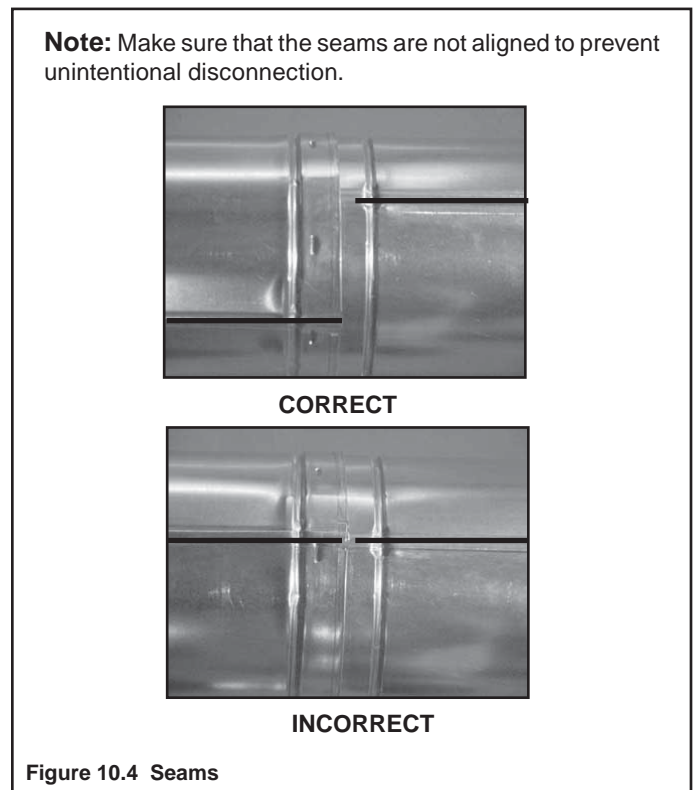


Figure 10.4 Seams

B. Assemble Slip Sections

WARNING! Risk of Fire or Asphyxiation! Overlap pipe sections at least 1 1/2 in. (38 mm). Secure slip sections with two screws which must not exceed 1/2 in. (13 mm) in length. Use the pilot holes. Pipe could separate if not properly joined.

- Slide the inner flue of the slip section into the inner flue of the pipe section and the outer flue of the slip section over the outer flue of the pipe section. See Figure 10.5.
- Slide together to the desired length.

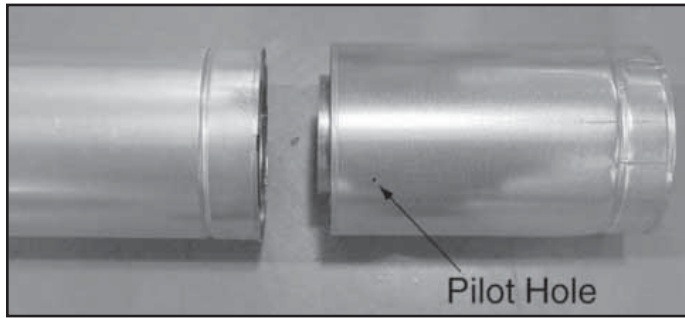


Figure 10.5 Slip Section Pilot Holes

- Maintain a 1-1/2 in. (38 mm) overlap between the slip section and the pipe section.
- Secure the pipe and slip section with two screws no longer than 1/2 in. (13 mm), using the pilot holes in the slip section. See Figure 10.6.

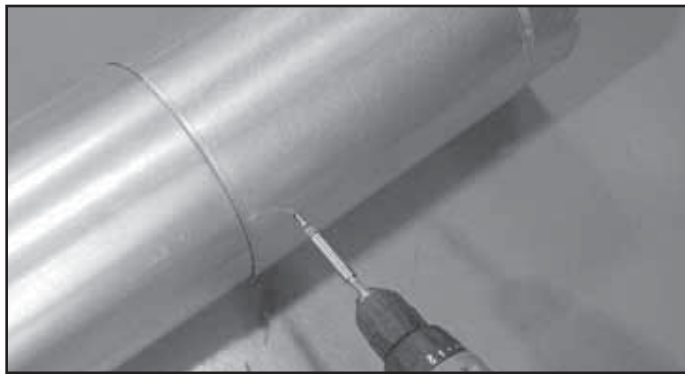


Figure 10.6 Screws into Slip Section

- Continue adding pipe as necessary following instructions in “Assemble Pipe Sections.”

NOTICE: If slip section is too long, the inner and outer flues of the slip section can be cut to the desired length.

NOTICE: When installing a vent system with an HRC termination cap, all pipe system joints shall be sealed using a silicone sealant with a minimum of 300°F continuous exposure rating.

- Apply a bead of silicone sealant inside the female outer pipe joint prior to joining sections.
- Only outer pipes are sealed, sealing the inner flue is not required.
- All unit collar, pipe, slip section, elbow and cap outer flues shall be sealed.

C. Secure the Vent Sections

- Vertical runs of pipe must be supported every 8 ft. (2.44 m) after the 25 ft. (7.62 m) maximum unsupported rise.
- Horizontal sections of vent must be supported every 5 ft. (1.52 m) with a vent support or plumber’s strap.
- Wall shield firestops may be used to provide horizontal support.
- Vent support or plumber’s strap (spaced 120° apart) may be used for support. See Figures 10.7 and 10.8.

WARNING! Risk of Fire, Explosion or Asphyxiation! Improper support may allow vent to sag and separate. Use vent run supports and connect vent sections per installation instructions. DO NOT allow vent to sag below connection point to appliance.

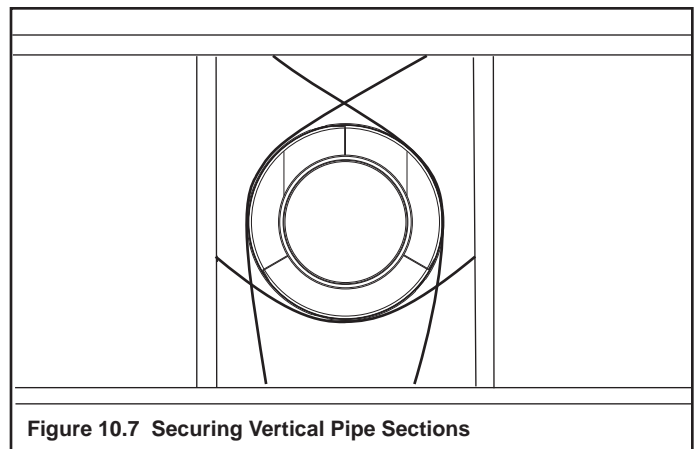


Figure 10.7 Securing Vertical Pipe Sections

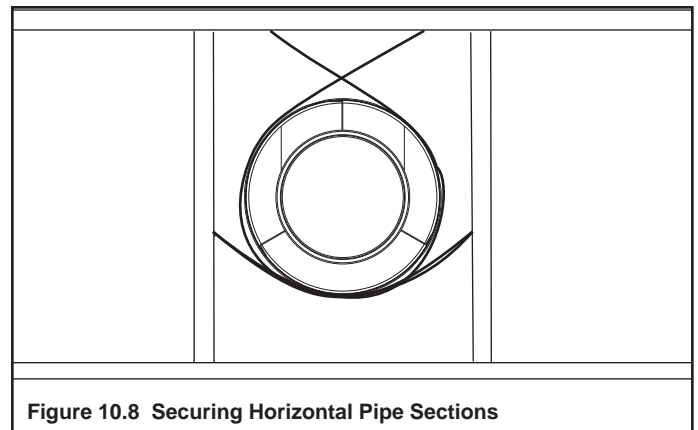


Figure 10.8 Securing Horizontal Pipe Sections

D. Disassemble Vent Sections

- Rotate either section (see Figure 10.9) so the seams on both pipe sections are aligned as shown in Figure 10.10.
- Pull carefully to separate the pieces of pipe.

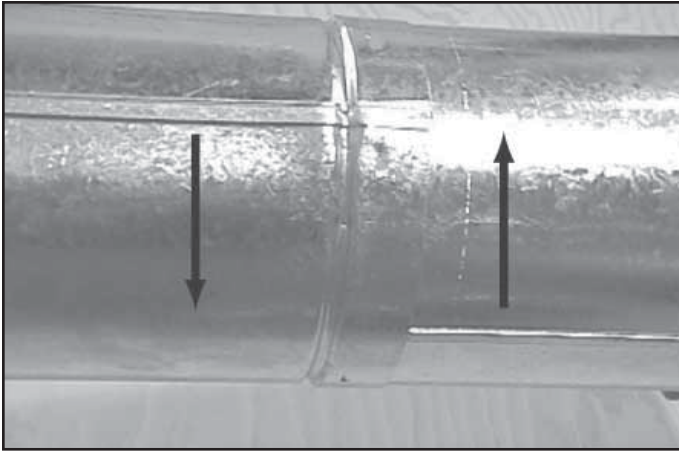


Figure 10.9 Rotate Seams for Disassembly

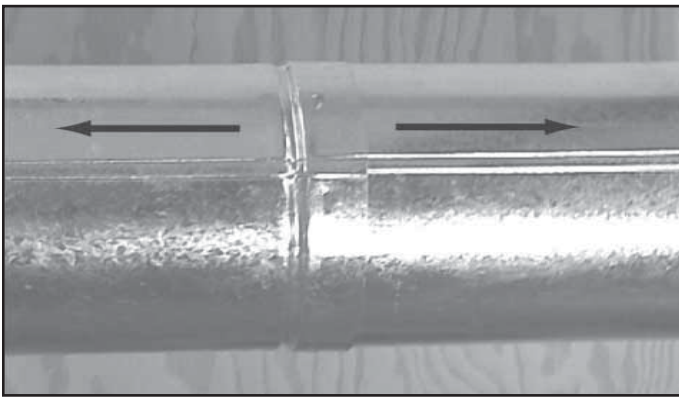


Figure 10.10 Align and Disassemble Vent Sections

E. Install Metal Roof Flashing

- See minimum vent heights for various pitched roofs (Figure 10.11) to determine the length of pipe to extend through the roof.
- Slide the roof flashing over the pipe sections extending through the roof as shown in Figure 10.12.

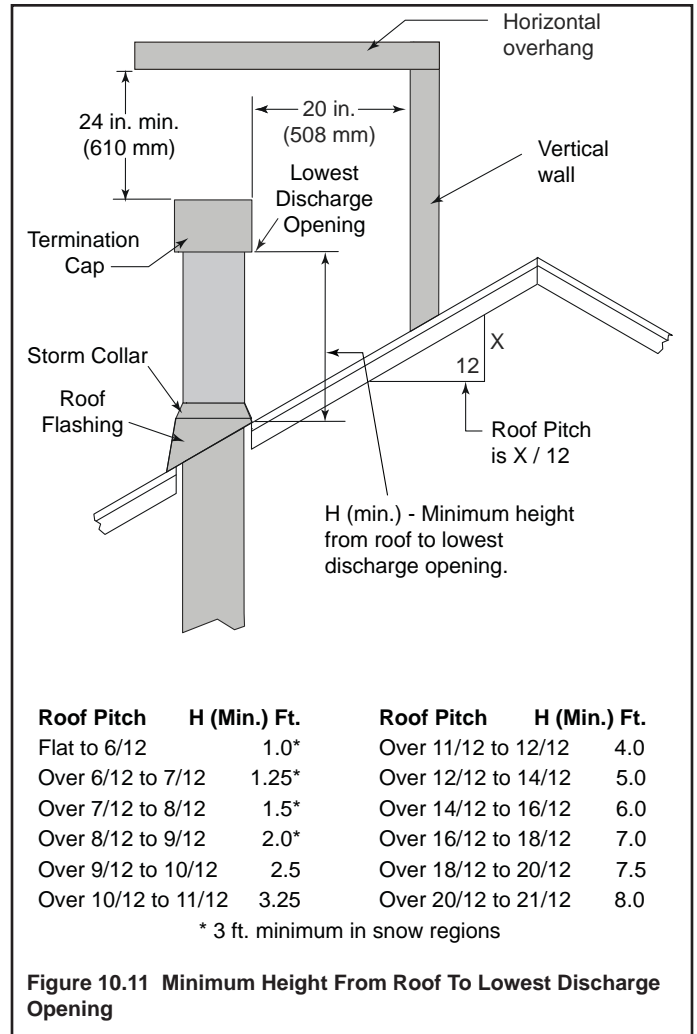


Figure 10.11 Minimum Height From Roof To Lowest Discharge Opening

NOTICE: Failure to properly caulk the roof flashing and pipe seams may permit entry of water.

- Caulk the gap between the roof flashing and the outside diameter of the pipe.
- Caulk the perimeter of the flashing where it contacts the roof surface. See Figure 10.15.
- Caulk the overlap seam of any exposed pipe sections that are located above the roof line.

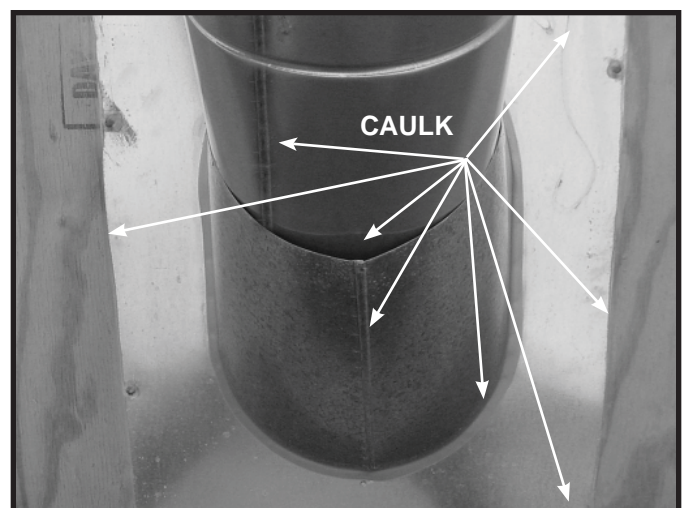


Figure 10.12 Caulking

F. Assemble and Install Storm Collar

CAUTION! Risk of Cuts, Abrasions or Flying Debris.
Wear protective gloves and safety glasses during installation. Sheet metal edges are sharp.

- Connect the halves of the storm collar with two screws (see Figure 10.13).
- Wrap the storm collar around the exposed pipe section closest to the roof and align brackets. Insert a bolt (provided) through the brackets and tighten the nut to complete the storm collar assembly (Figure 10.14). Make sure the collar is tight against the pipe section.
- Slide the assembled storm collar down the pipe section until it rests on the roof flashing.
- Caulk around the top of the storm collar.

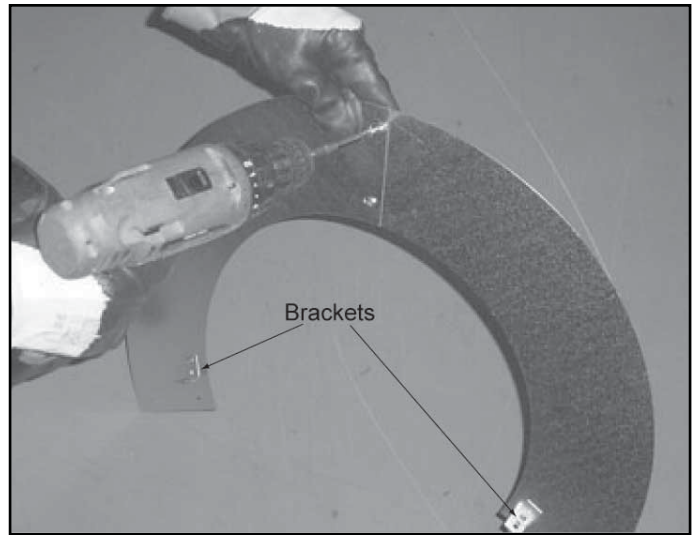


Figure 10.13 Assembling the Storm Collar



Figure 10.14 Assembling the Storm Collar Around the Pipe

G. Install Vertical Termination Cap

- Attach the vertical termination cap by sliding the inner collar of the cap into the inner flue of the pipe section while placing the outer collar of the cap over the outer flue of the pipe section.
- Secure the cap by driving three self-tapping screws (supplied) through the pilot holes in the outer collar of the cap into the outer flue of the pipe (see Figure 10.15).

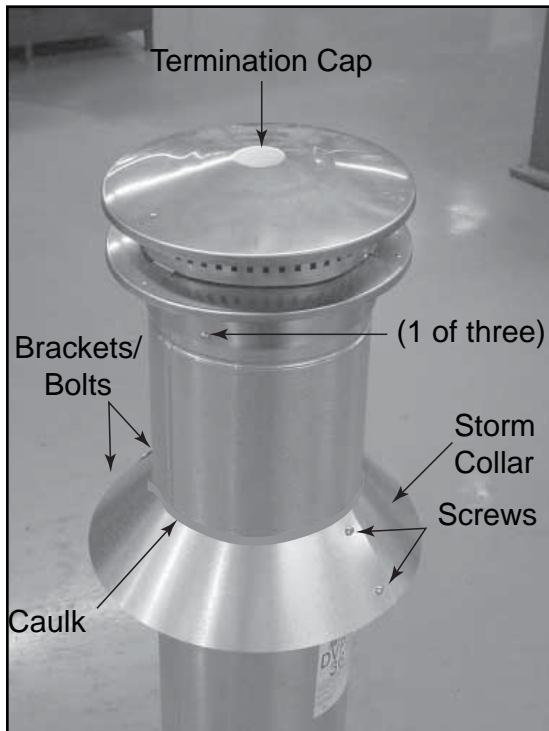


Figure 10.15 Install Vertical Termination Cap

H. Heat Shield Requirements for Horizontal Termination

WARNING! Risk of Fire! To prevent overheating and fire, heat shields must extend through the entire wall thickness.

- **DO NOT** remove the heat shields attached to the wall shield firestop and the horizontal termination cap.
- Heat shields must overlap 1-1/2 in. (38 mm) minimum.

There are two sections of the heat shield. One section is factory-attached to the wall shield firestop. The other section is factory-attached to the cap. See Figure 10.16.

If the wall thickness does not allow the required 1-1/2 in. (38 mm) heat shield overlap when installed, an extended heat shield must be used.

- If the wall thickness is less than 4 in./102 mm the heat shields on the cap and wall shield firestop must be trimmed. A minimum 1-1/2 in. (38 mm) overlap MUST be maintained.
- Use an extended heat shield if the finished wall thickness is greater than 7-1/4 in. (184 mm).
- The extended heat shield may need to be cut to length maintaining sufficient length for a 1-1/2 in. (38 mm) overlap between heat shields.
- Attach the extended heat shield to either of the existing heat shields using the screws supplied with the extended heat shield. Refer to "Vent Components Diagrams" in the back of this manual.
- Rest the small leg on the extended heat shield on top of the pipe section to properly space it from the pipe section.

Important Notice: Heat shields may not be field constructed.

I. Install Horizontal Termination Cap

WARNING! Risk of Fire! The telescoping flue section of the termination cap **MUST** be used when connecting vent.

- 1-1/2 (38 mm) minimum overlap of flue telescoping section is required.

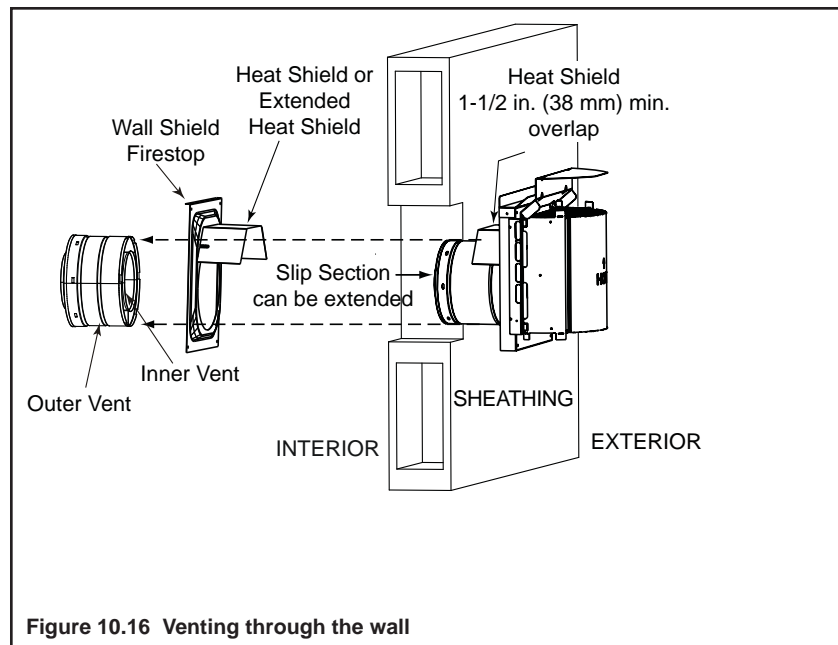
Failure to maintain overlap may cause overheating and fire.

- Vent termination must not be recessed in the wall. Siding may be brought to the edge of the cap base.
- Flash and seal as appropriate for siding material at outside edges of cap.
- When installing a horizontal termination cap, follow the cap location guidelines as prescribed by current **ANSI Z223.1** and **CAN/CGA-B149** installation codes and refer to Section 6 of this manual.

CAUTION! Risk of Burns! Local codes may require installation of a cap shield to prevent anything or anyone from touching the hot cap.

NOTICE: For certain exposures which require superior resistance to wind-driven rain penetration, a flashing kit and HPC caps are available. When penetrating a brick wall, a brick extension kit is available for framing the brick.

Note: When using termination caps with factory-supplied heat shield attached, no additional wall shield firestop is required on the exterior side of a combustible wall.



11 Shrouds

A. HHT Shrouds

- You may install a shroud with this fireplace. See Section 17.D. for a list of UL Listed shrouds. Follow the instructions included with these optional components

B. Field Constructed Shrouds

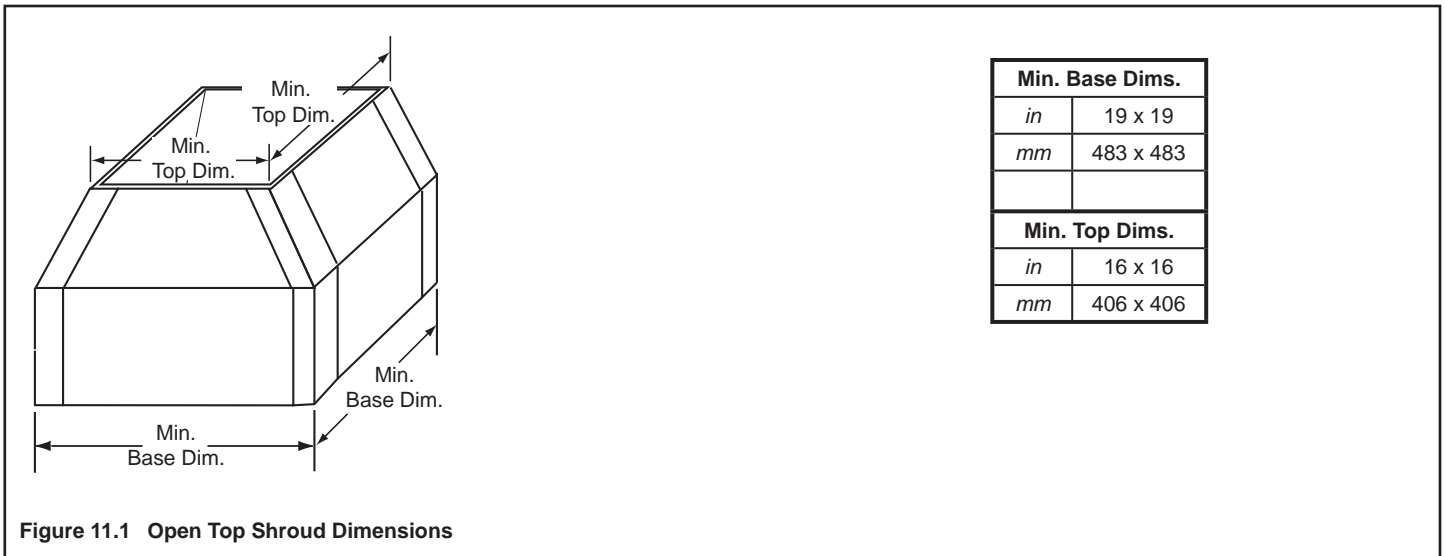
WARNING! Risk of Fire! Shrouds must be constructed as specified. Improper construction may overheat chase top.

- Chase top shrouds may be field constructed where permitted by regional building codes.

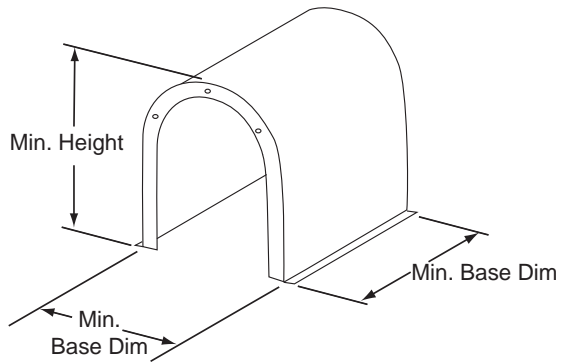
NOTICE: Some regional codes require an agency-Listed shroud. Consult your local building officials.

- The following field constructed shroud designs have been tested for Hearth Technologies fireplace systems and termination caps.
- The shrouds must be constructed from a minimum .018 in. (26 ga) thick aluminized steel.
- The wire mesh is optional but recommended and must be .018 in. thick minimum, 1/2 in. mesh.

Open Top Shroud (may be used with DVP-TV, DVP-TVHW)



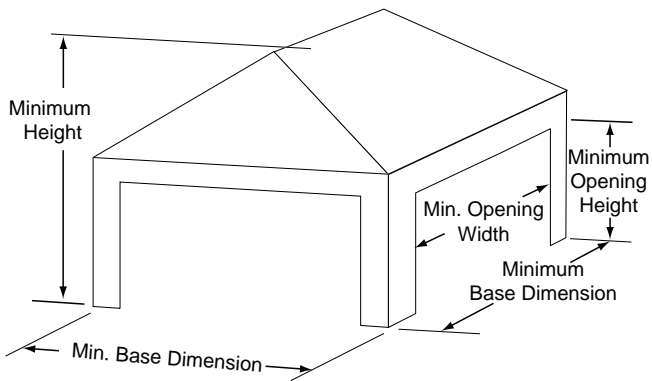
Mailbox Style Shroud (may be used with DVP-TV, DVP-TVHW)



Min. Base Dims.	
<i>in</i>	20 x 20
<i>mm</i>	508 x 508
Min. Height	
<i>in</i>	18
<i>mm</i>	457

Figure 11.2 Mailbox Style Shroud Dimensions

Roofed Style Shroud (may be used with DVP-TV, DVP-TVHW)



Min. Base Dims.	
<i>in</i>	20 x 20
<i>mm</i>	508 x 508
Min. Height	
<i>in</i>	18
<i>mm</i>	458
Min. Opening Width	
<i>in</i>	14
<i>mm</i>	356
Min. Opening Height	
<i>in</i>	10
<i>mm</i>	254

Figure 11.3 Roofed Style Shroud Dimensions

12 Gas Information

A. Gas Pressure


- Optimum appliance performance requires proper input pressures.
- Gas line sizing requirements will be determined in ANSI Z221.3 National Fuel Gas Code in the USA and CAN/CGA B149 in Canada.
- Pressure requirements are:

Gas Pressure	Natural Gas	Propane
Minimum inlet pressure	5.0 in. w.c.	11.0 in. w.c.
Maximum inlet pressure	10.0 in. w.c.	13.0 in. w.c.
Manifold pressure	3.5 in. w.c.	10.0 in. w.c.

WARNING! Risk of Fire or Explosion! High pressure will damage valve. Low pressure may cause explosion.

- Verify inlet pressures. Verify minimum pressures when other household gas appliances are operating.
- Install regulator upstream of valve if line pressure is greater than 1/2 psig.

⚠ WARNING



Fire Risk.
Explosion Hazard.
High pressure will damage valve.

- Disconnect gas supply piping BEFORE pressure testing gas line at test pressures above 1/2 psig.
- Close the manual shutoff valve BEFORE pressure testing gas line at test pressures equal to or less than 1/2 psig.

Note: Have the gas supply line installed in accordance with local codes, if any. If not, follow ANSI 223.1. Installation should be done by a qualified installer approved and/or licensed as required by the locality. (In the Commonwealth of Massachusetts installation must be performed by a licensed plumber or gas fitter).

Note: A listed (and Commonwealth of Massachusetts approved) 1/2 in. (13 mm) T-handle manual shut-off valve and flexible gas connector are connected to the 1/2 in. (13 mm) control valve inlet.

- **If substituting for these components, please consult local codes for compliance.**

B. Gas Connection

Note: You MUST install a manual gas cock for the appliance in an accessible area no more than 6 ft from the appliance.

- Refer to Reference Section 17.A. for location of gas line access in appliance.
- Gas line may be run through knockout provided on the left side only.
- The gap between supply piping and gas access hole may be caulked with caulk with a minimum of 300°F continuous exposure rating or stuffed with noncombustible, unfaced insulation to prevent cold air infiltration.
- Ensure that gas line does not come in contact with outer wrap of the appliance. Follow local codes.
- Pipe incoming gas line into valve compartment.
- Connect incoming gas line to the 1/2 in. (13 mm) connection on manual shutoff valve.

WARNING! Risk of Fire or Explosion! Support control when attaching pipe to prevent bending gas line.

- A small amount of air will be in the gas supply lines.

WARNING! Risk of Fire or Explosion! Gas build-up during line purge could ignite.

- Purge should be performed by qualified service technician.
- Ensure adequate ventilation.
- Ensure there are no ignition sources such as sparks or open flames.

Light the appliance. It will take a short time for air to purge from lines. When purging is complete the appliance will light and operate normally.

WARNING! Risk of Fire, Explosion or Asphyxiation! Check all fittings and connections with a non-corrosive commercially available leak-check solution. **DO NOT** use open flame. Fittings and connections could have loosened during shipping and handling.

WARNING! Risk of Fire! DO NOT change valve settings. This valve has been preset at the factory.

C. High Altitude Installations

NOTICE: If the heating value of the gas has been reduced, these rules do not apply. Check with your local gas utility or authorities having jurisdiction.

When installing above 2000 feet elevation:

- In the USA: Reduce burner orifice 4% for each 1000 feet above 2000 feet.
- In CANADA: Reduce burner orifice 10% for elevations between 2000 feet and 4500 feet. Above 4500 feet, consult local gas utility.

Note: The flame solenoid is assembled and preset from the factory. Should it become necessary to reinstall the flame solenoid, refer to the following sections (12.D & 12.E) for proper reinstallation.

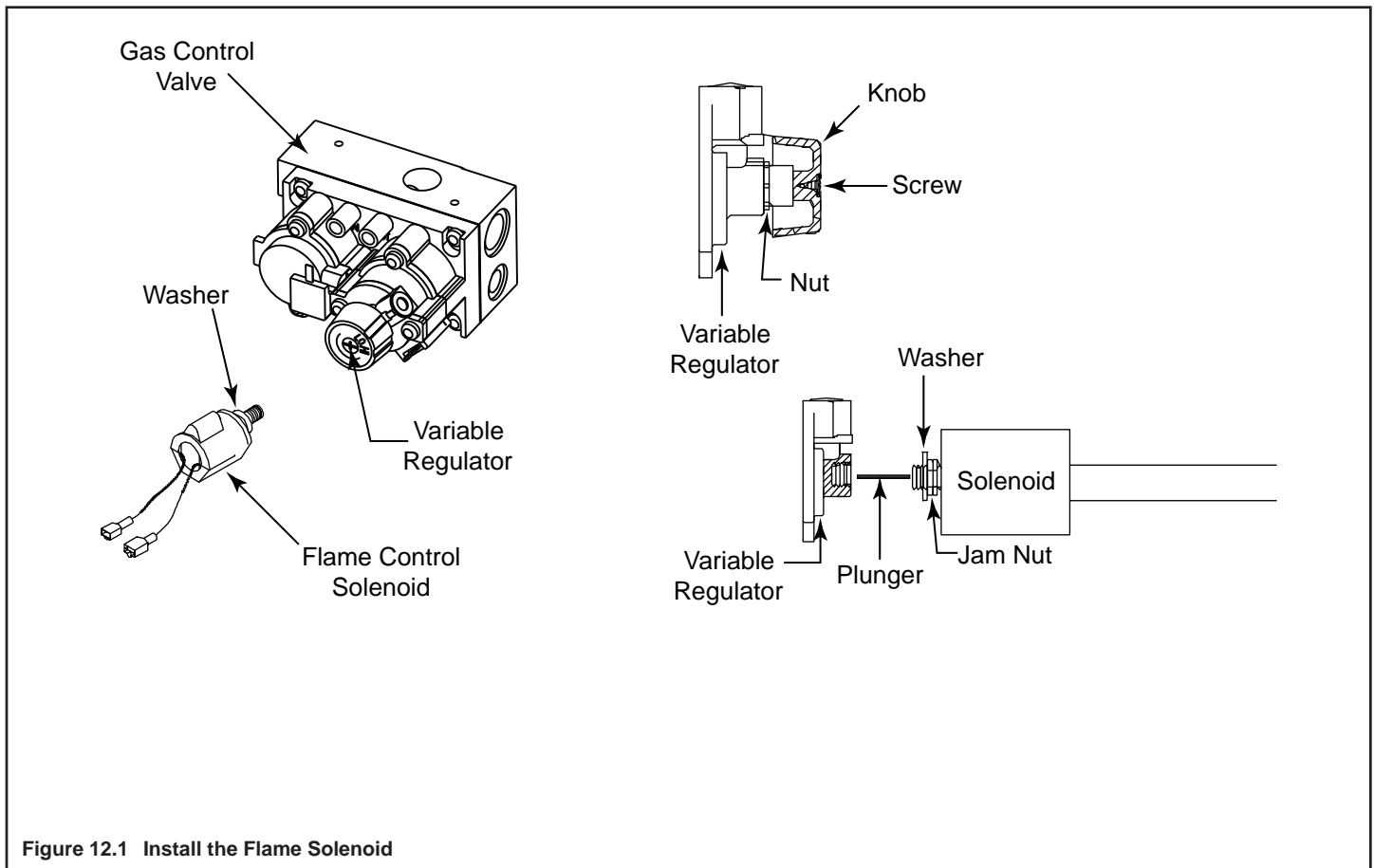
D. Install Flame Solenoid

- Remove the screw and knob from the variable regulator and discard.
- Remove the nut from the regulator and discard.
- Remove the bag containing a washer and blue and red plungers from the side of the flame control solenoid.
- Place washer on flame control solenoid.
- Insert the correct plunger (blue - natural gas, red - propane) into the flame control solenoid.
- Thread the flame control solenoid with correct plunger into the threaded hole in the variable regulator. Turn into valve approximately two full turns. **Do not** tighten or damage may occur.
- Connect orange wires from control box to the flame control solenoid.

E. Setting Flame Height/Manifold Pressure

(To be done by a qualified service technician.) Upon initial power-up of this device, valve pressure must be set for flame adjustment.

- Loosen output pressure tap on valve and connect with pressure manometer.
- Press flame button once; fireplace will light with flames on high.
- Turn solenoid clockwise to increase pressure, counterclockwise to decrease pressure until manifold pressure on high is 3.5 in. water column for natural gas (NG), 10.0 in. water column for propane (LP).
- Once pressure is achieved spin jam nut on solenoid tight against regulator face to prevent rotation. Do not overtighten.
- Press flame button twice to turn fireplace off.
- Remove manometer tube and tighten or close pressure tap. Use a commercially available, noncorrosive leak check solution to carefully check the pressure tap for leaks. Be sure to rinse off all leak check solution following testing.



13 Electrical Information

A. Wiring Requirements

NOTICE: This appliance must be electrically wired and grounded in accordance with local codes or, in the absence of local codes, with **National Electric Code ANSI/NFPA 70-latest edition** or the **Canadian Electric Code CSA C22.1**.

- Wire the appliance junction box to 110-120 VAC. This is required for use of optional accessories.
- A 110-120 VAC circuit for this product must be protected with ground-fault circuit-interrupter protection, in compliance with the applicable electrical codes, when it is installed in locations such as in bathrooms or near sinks.
- Low voltage and 110 VAC voltage cannot be shared within the same wall box.

WARNING! Risk of Shock or Explosion! DO NOT wire 110V to the valve or to the appliance wall switch. Incorrect wiring will damage controls.

B. Electrical Service and Repair

WARNING! Risk of Shock! Label all wires prior to disconnection when servicing controls. Wiring errors can cause improper and dangerous operation. Verify proper operation after servicing.

WARNING! Risk of Shock! Replace damaged wire with type 105° C rated wire. Wire must have high temperature insulation.

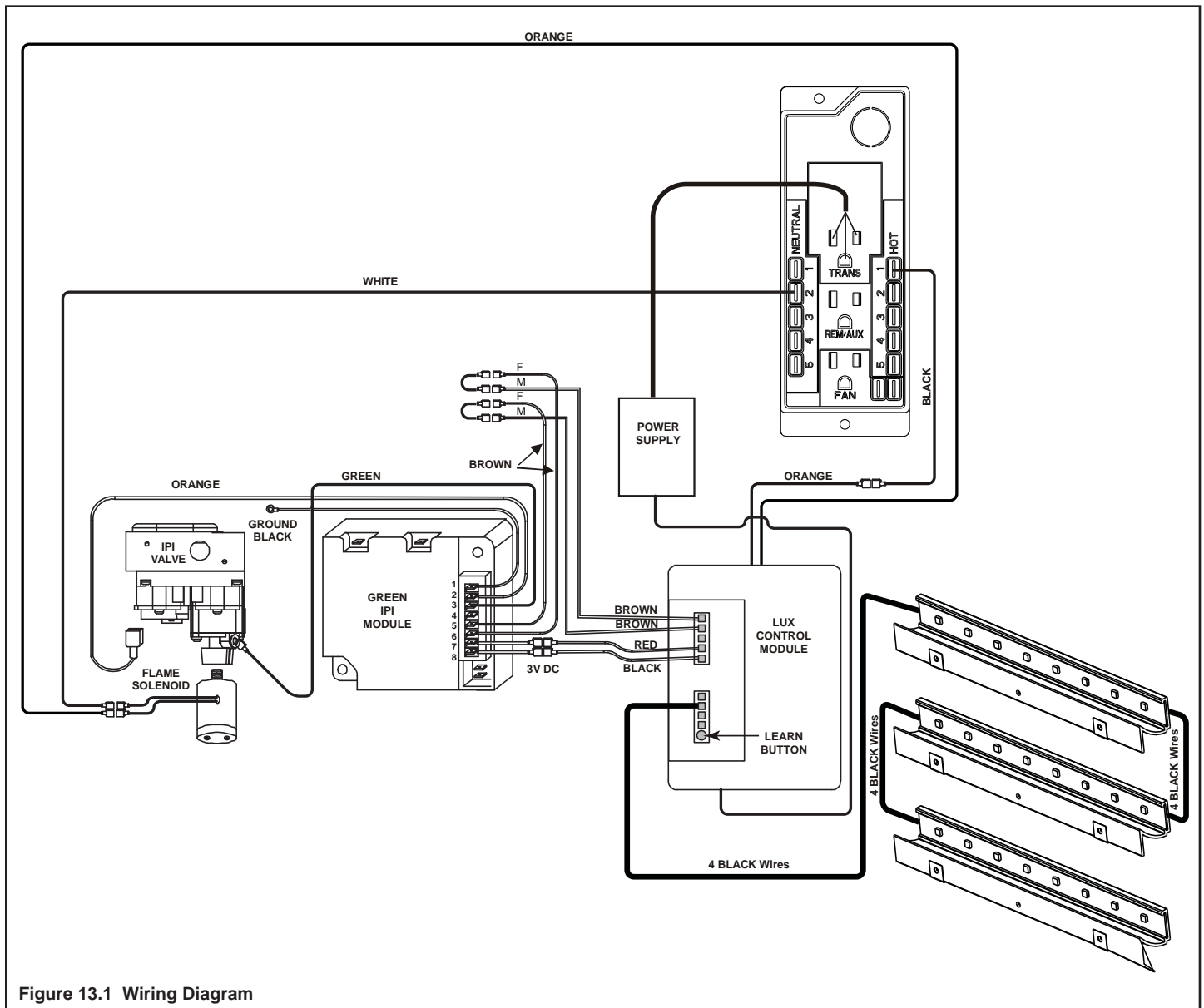


Figure 13.1 Wiring Diagram

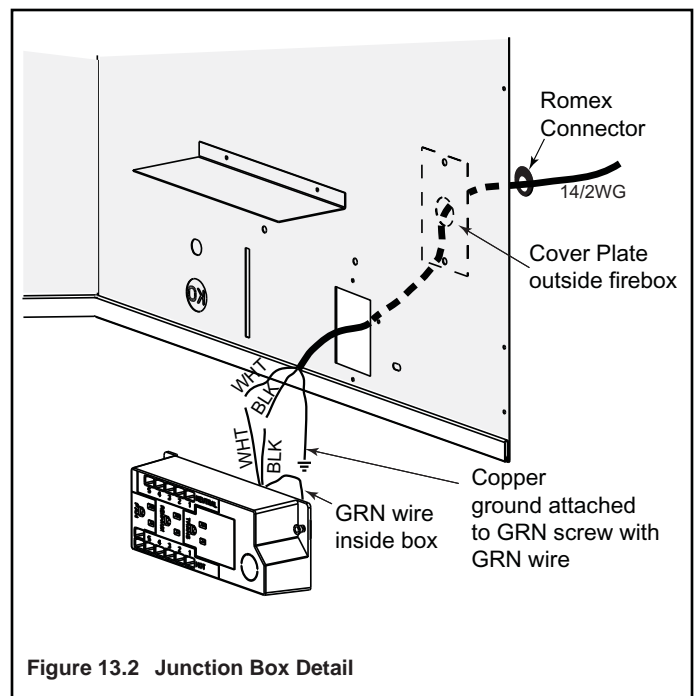
C. Junction Box Installation

If the box is being wired from the **OUTSIDE** of the appliance:

- Remove the cover plate located on the outer shell - right side (see Figure 13.2).
- Install the supplied Romex™ connector in the cover plate.
- Feed the necessary length of wire through the connector.
- Make all necessary wire connections and reattach the cover plate to the outer shell.

If the box is being wired from the **INSIDE** of the appliance:

- Remove the screw attaching the junction box/receptacle to the outer shell, rotate the junction box inward to disengage it from the outer shell.
- Pull the electrical wires from outside the appliance through this opening into the valve compartment.
- Feed the necessary length of wire through the connector.
- Make all necessary wire connections to the junction box/receptacle and reassemble the junction box/receptacle to the outer shell.



14 Wall Finishing

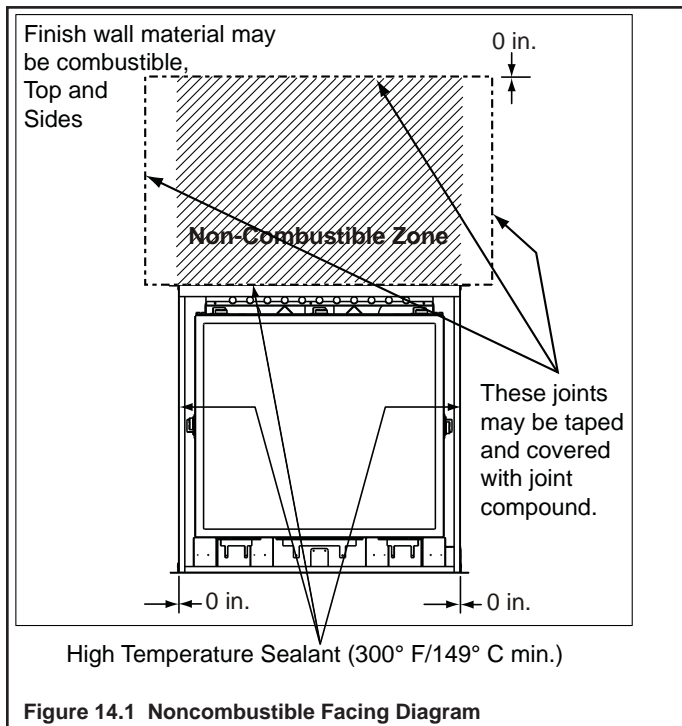
WARNING! Risk of Fire! Comply with all minimum clearances to combustibles as specified. Framing or finishing material closer than the minimums listed must be constructed entirely of noncombustible materials (i.e., steel studs, concrete board, etc).

WARNING! Risk of Fire! DO NOT apply combustible materials beyond the minimum clearances. Comply with all minimum clearances to combustibles as specified in this manual. Overlapping materials could ignite and will interfere with proper operation of doors and openings.

- This appliance requires the use of noncombustible materials above the appliance. The use of the steel stud kit and noncombustible cement board is required.

It is very important when framing and setting this appliance, to consider what type of wall finishing will be used (i.e. sheet rock, tile, marble, rock, etc.).

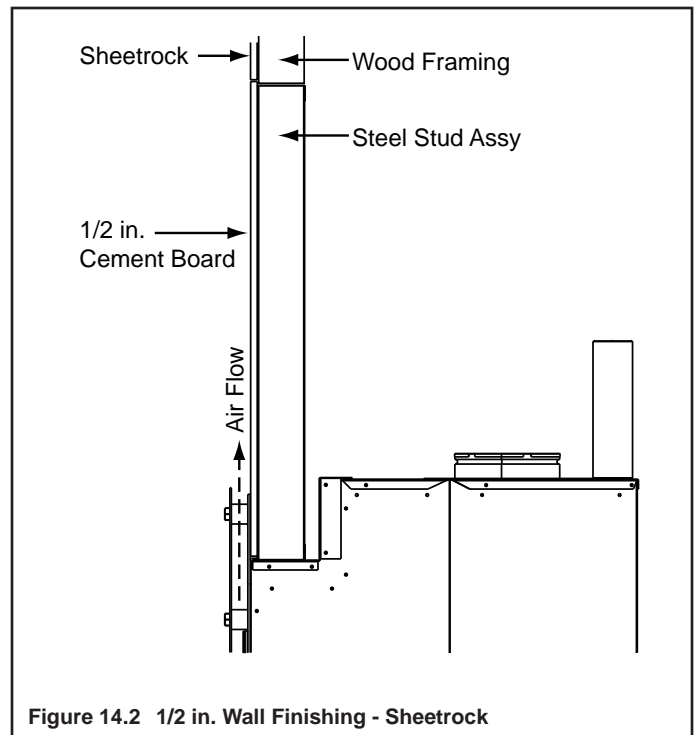
The LUX60 is shipped with a steel stud kit and cement board. BOTH MUST BE USED above the appliance opening in the noncombustible zone (see Figure 14.1) regardless of the wall finishing to be used.



A. Standard 1/2 in. (13 mm) Sheetrock

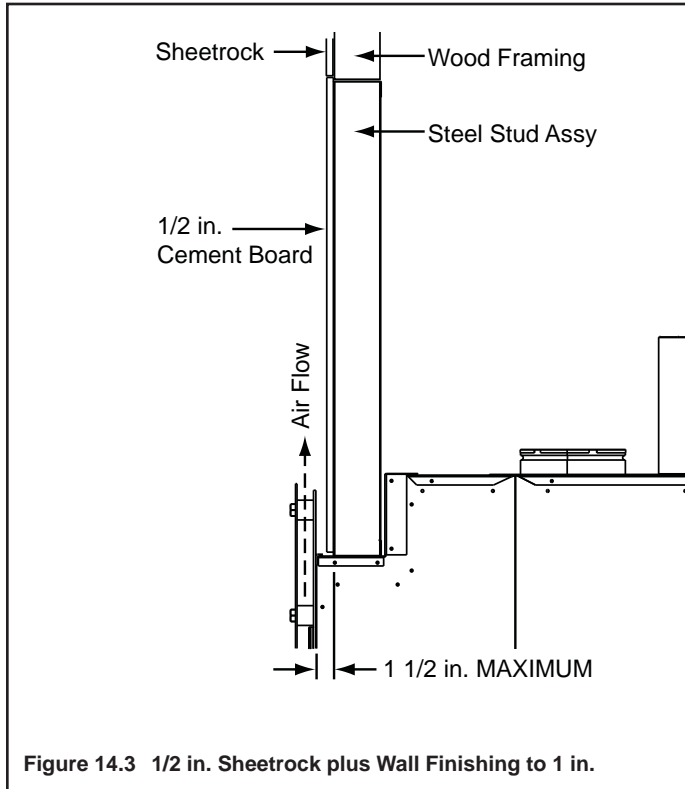
If a standard 1/2 in. sheetrock wall finishing is to be used, the front edge of the appliance must be set 1/2 in. (13 mm) out in front of the framing to achieve a flush fit with the SSF-LUX-BK Surround Kit. See Figure 14.2.

Note: If using additional decorative facing on top of the sheetrock, see following instructions.



B. Additional Decorative Finishing up to 1 in. (25 mm) Thick

If an additional decorative facing is to be used (i.e. tile, marble) the front edge of the appliance must be 1/2 in. (13 mm) plus the thickness of the facing material (up to 1 in./25 mm thick) past the edge of the framing to achieve a flush fit with the SSF-LUX-BK Surround Kit. See Figure 14.3.

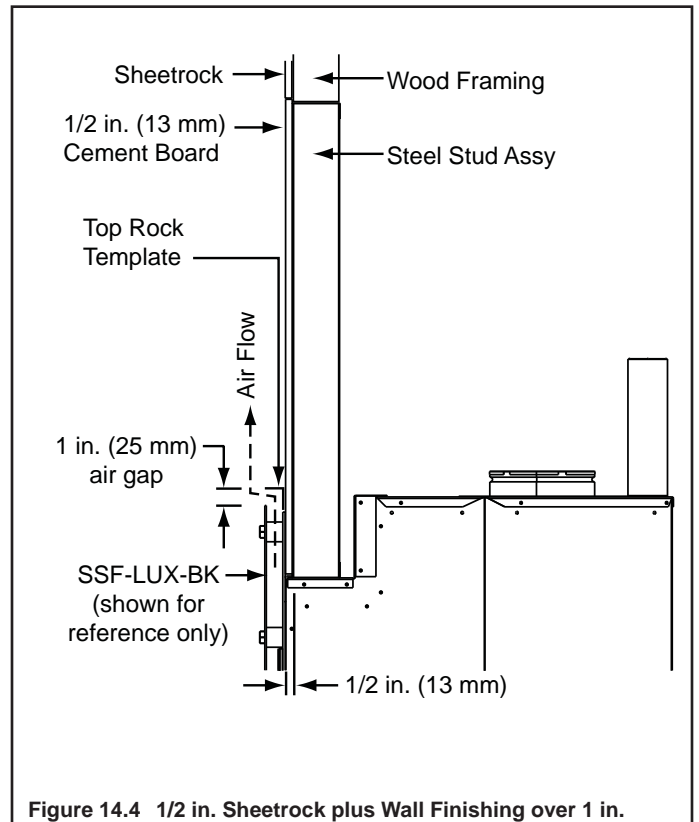


C. Additional Decorative Finishing over 1 in. (25 mm) Thick

If the additional decorative facing is to be used is over 1 in./25 mm thick (i.e. rock, brick, etc.) the front edge of the appliance must be 1/2 in. (12 mm) past the edge of the framing. The LUX60-TMPLT Rock Template must be used to allow air flow through the SSF-LUX60 Surround Kit. See Figure 14.4.

Use the instructions included with the template for installation.

WARNING! Risk of Fire! DO NOT restrict the 1 in. air gap with any facing material!



15 Appliance Setup

WARNING! Risk of Fire and Electric Shock! Use **ONLY** Hearth & Home Technologies-approved optional accessories with this appliance. Using non-listed accessories could result in a safety hazard and will void the warranty.

A. Remove Glass Assembly

WARNING! Risk of Asphyxiation! Handle fixed glass assembly with care. Inspect the gasket to ensure it is undamaged and inspect the glass for cracks, chips or scratches.

- **DO NOT** strike, slam or scratch glass.
- **DO NOT** operate fireplace with glass removed, cracked, broken or scratched.
- Replace as a complete assembly.

The glass assembly can be removed from the unit by pulling and releasing the glass latches. There are three across the top, three across the bottom, and one in the center of each side.

The glass assembly is heavy. Use caution when removing.

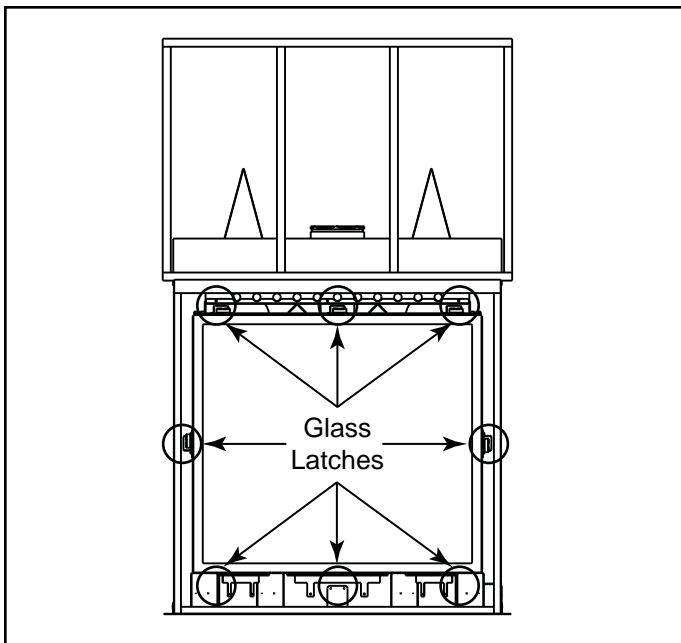


Figure 15.1 Glass Assembly Removal

B. Clean the Appliance

Clean/vacuum any sawdust that may have accumulated inside the firebox or underneath in the control cavity.

C. Air Shutter Access & Adjustment

• Outside Burner Tube Air Shutter

- Disconnect power to fireplace.
- Remove the "L" plates and inner surround frame (see surround install). This will make the valve compartment and glass accessible. (Refer to Section 3.A. Glass Cleaning.)

Note: Mark and note burner tube locations. They are not interchangeable (Figure 15.2).

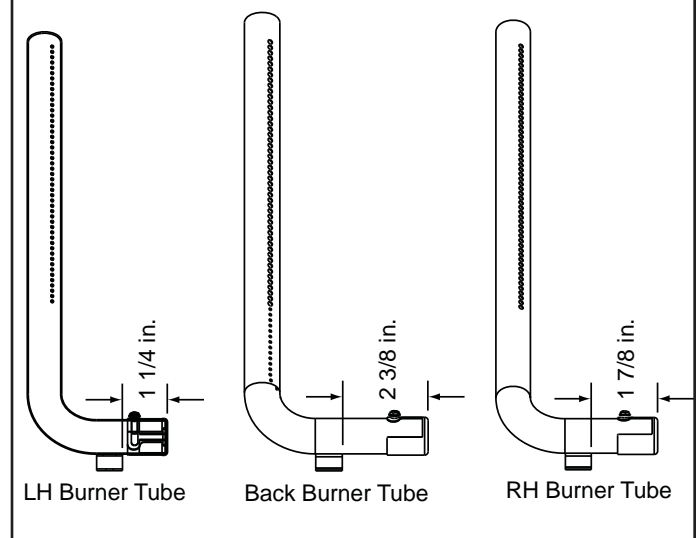
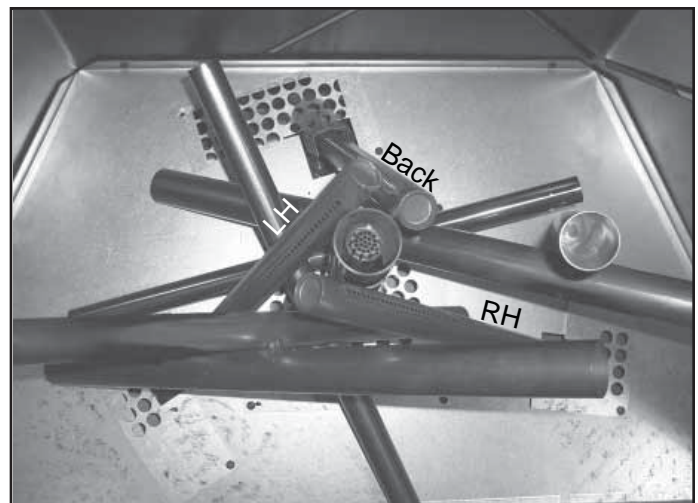


Figure 15.2 Burner Tube ID

- Remove three cover plates by removing two screws from each plate. See Figure 15.3.

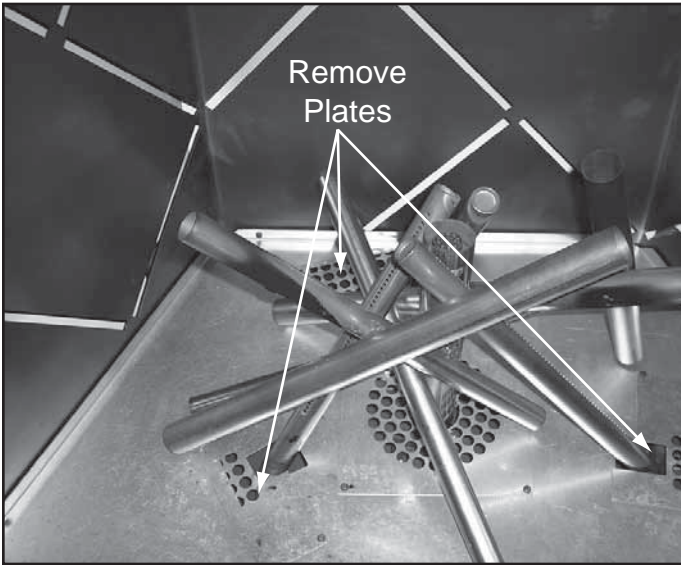


Figure 15.3 Remove Three Plates

- Remove three outside burner tubes by removing two screws on each tube. See Figure 15.4.

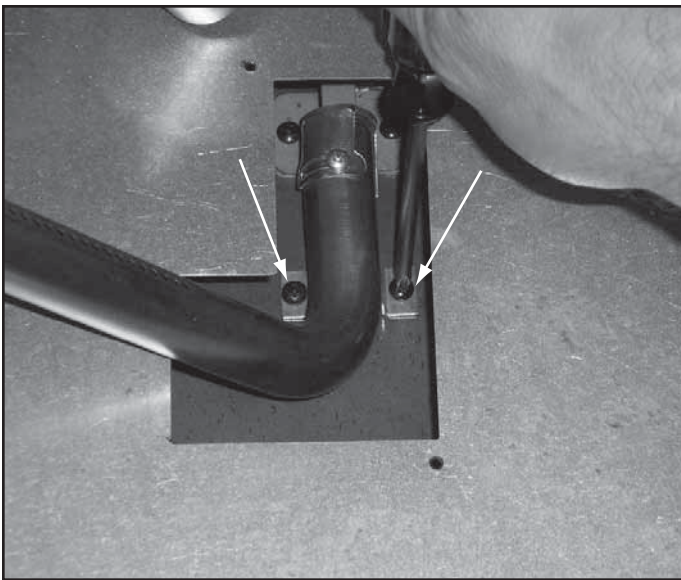


Figure 15.4 Remove Outside Burner Tubes

- Outside burner tube air shutters may be adjusted as shown in Figure 15.5.

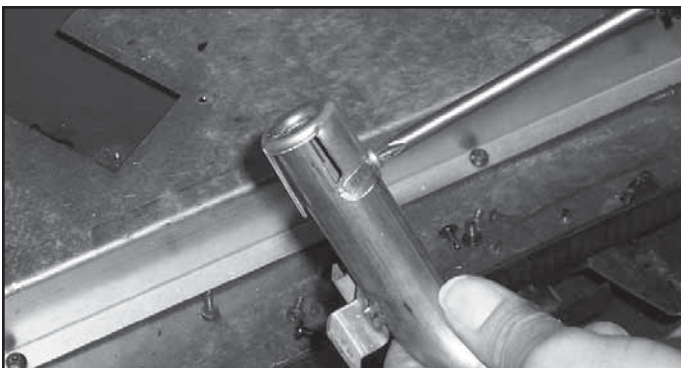


Figure 15.5 Outside Burner Tube Air Shutter Adjustment

• Center Burner Tube Air Shutter

- Remove decorative steel log assembly by removing 3 screws, lifting up and out (Figure 15.6).

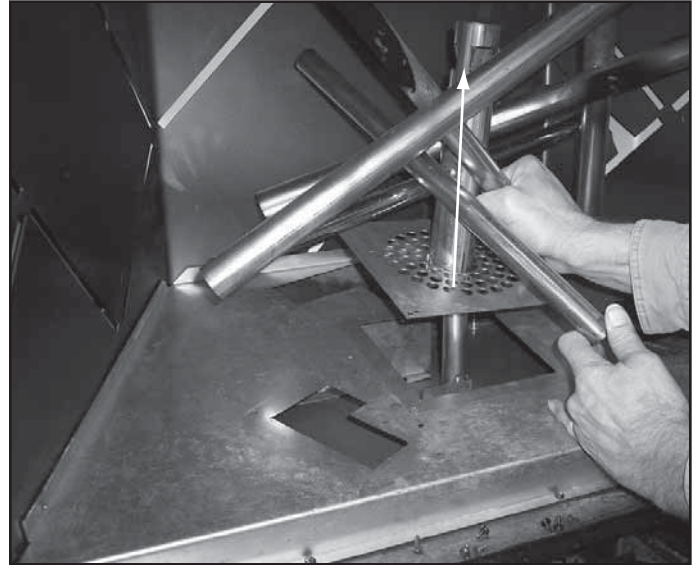


Figure 15.6 Remove Decorative Steel Log Assembly

- Center burner tube air shutter is now accessible with short phillips screw driver (see Figure 15.7).

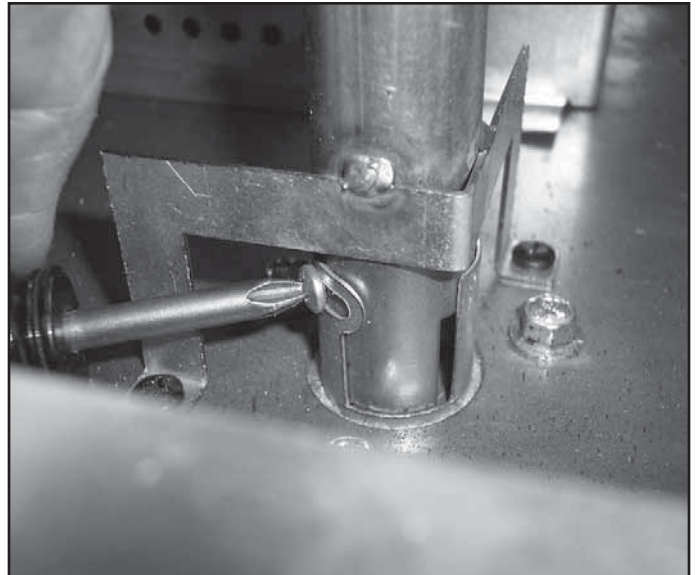


Figure 15.7 Adjust Center Burner Tube Air Shutter

- Loosen phillips screw and turn air shutter for optimum flame appearance.

D. Install Glass Rock

- Thirty pounds of black glass rock is provided with this appliance.

Note: Rinse the glass rocks with clear water and allow to dry before installation.

- Spread glass rock evenly across hearth pan to just cover metal pan. See Figure 15.8.
- Ensure that no glass rock is blocking any ports on burner tubes. The area between the rock shield and the back burner tube **MUST** be kept open as shown in Figure 15.9.

WARNING! Risk of Fire or Explosion! DO NOT cover burner ports with rock. This could prevent cross-over ignition, resulting in delayed or no ignition to this burner.

WARNING! Choking Hazard! Keep glass rock out of reach of children.

IMPORTANT! This appliance should be run three to four hours on low on the initial start-up. Turn it off and let it cool completely. Remove and clean the glass. Reinstall the glass and run the appliance for an additional 12 hours. This will help cure the products used in the paint.

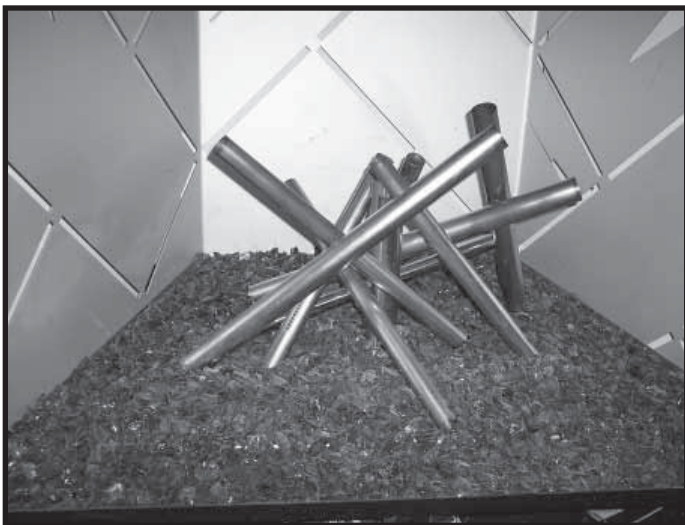


Figure 15.8 Install Glass Rock



Figure 15.9 DO NOT Block Ports!

16 Troubleshooting

With proper installation, operation, and maintenance your gas appliance will provide years of trouble-free service. If you do experience a problem, this troubleshooting guide will assist a qualified service technician in the diagnosis of a problem and the corrective action to be taken. This troubleshooting guide can only be used by a qualified service technician. Contact your dealer to arrange a service call by a qualified service technician.

A. IntelliFire (IPI) Ignition System

Symptom	Possible Cause	Corrective Action
1. Pilot won't light. The ignitor/module makes noise, but no spark.	A. Incorrect wiring.	Verify "S" wire (white) for sensor and "I" wire (orange) for ignitor are connected to correct terminals on module and pilot assembly.
	B. Loose connections or electrical shorts in the wiring.	Verify no loose connections or electrical shorts in wiring from module to pilot assembly. Verify connections underneath pilot assembly are tight; also verify connections are not grounding out to metal chassis, pilot burner, pilot enclosure, mesh screen if present, or any other metal object.
	C. Ignitor gap is too large.	Verify gap of igniter to right side of pilot hood. The gap should be approximately .17 inch or 1/8 in. (3 mm).
	D. Module.	Remove ignitor wire "I" from module. Place a grounded wire about 3/16 in. (5 mm) away from "I" terminal on module. Activate LUX60 with the POWER button of the remote. If there is no spark at "I" terminal module must be replaced. If there is a spark at "I" terminal, module is fine. Inspect pilot assembly for shorted sparker wire or cracked insulator around electrode. Replace pilot if necessary.
2. Pilot won't light, there is no noise or spark.	A. No power or transformer installed incorrectly.	Verify that transformer is installed and plugged into module. Check voltage of transformer under load at spade connection on module with LUX60 turned on. Acceptable readings of a good transformer are between 3.2 and 2.8 volts AC.
	B. A shorted or loose connection in wiring configuration or wiring harness.	Remove and reinstall the wiring harness that plugs into module. Verify there is a tight fit. Verify pilot assembly wiring to module. Remove and verify continuity of each wire in wiring harness. Replace any damaged components.
	C. Improper wall switch wiring.	Verify that 110/VAC power is "ON" to junction box.
	D. Module not grounded.	Verify black ground wire from module wire harness is grounded to metal chassis of appliance.
	E. Module.	Remove ignitor wire "I" from module. Activate LUX60 with the POWER button of the remote. If there is no spark at "I" terminal module must be replaced. If there is a spark at "I" terminal, module is fine. Inspect pilot assembly for shorted sparker wire or cracked insulator around electrode.
3. Pilot sparks, but pilot will not light.	A. Gas supply.	Verify that incoming gas line ball valve is "open". Verify that inlet pressure reading is within acceptable limits.
	B. Ignitor gap is incorrect.	Verify that spark gap from ignitor to pilot hood is .17 in. or 1/8 in (3 mm).
	C. Module is not grounded.	Verify module is securely grounded to metal chassis of appliance.

A. IntelliFire (IPI) Ignition System (continued)

Symptom	Possible Cause	Corrective Action
4. Pilot lights but continues to spark, and main burner will not ignite. (If the pilot continues to spark after the pilot flame has been lit, flame rectification has not occurred.)	A. A shorted or loose connection in flame sensing rod.	Verify all connections to wiring diagram in manual. Verify connections underneath pilot assembly are tight. Verify connections are not grounding out to metal chassis, pilot burner, pilot enclosure or screen if present, or any other metal object.
	B. Poor flame rectification or contaminated flame sensing rod.	With fixed glass assembly in place, verify that flame is engulfing flame sensing rod on left side of pilot hood. Flame sensing rod should glow shortly after ignition. Verify correct pilot orifice is installed and gas inlet is set to pressure specifications.
	C. Module is not grounded.	Verify module is securely grounded to metal chassis of appliance. Verify that wire harness is firmly connected to the module.
	D. Damaged pilot assembly or contaminated flame sensing rod.	Verify that ceramic insulator around the flame sensing rod is not cracked, damaged, or loose. Verify connection from flame sensing rod to white sensor wire. Clean flame sensing rod with emery cloth to remove any contaminants that may have accumulated on flame sensing rod. Verify continuity with a multimeter with ohms set at lowest range. Replace pilot if any damage is detected.
	E. Module.	Deactivate the fireplace with the POWER button of the remote. Remove ignitor wire "I" from module. Reactivate the fireplace with the POWER button of the remote. If there is no spark at "I" terminal module must be replaced. If there is a spark at "I" terminal, module is fine.

17 Reference Materials

A. Appliance Dimension Diagram

Dimensions are actual appliance dimensions. Use for reference only. For framing dimensions and clearances refer to Section 5.

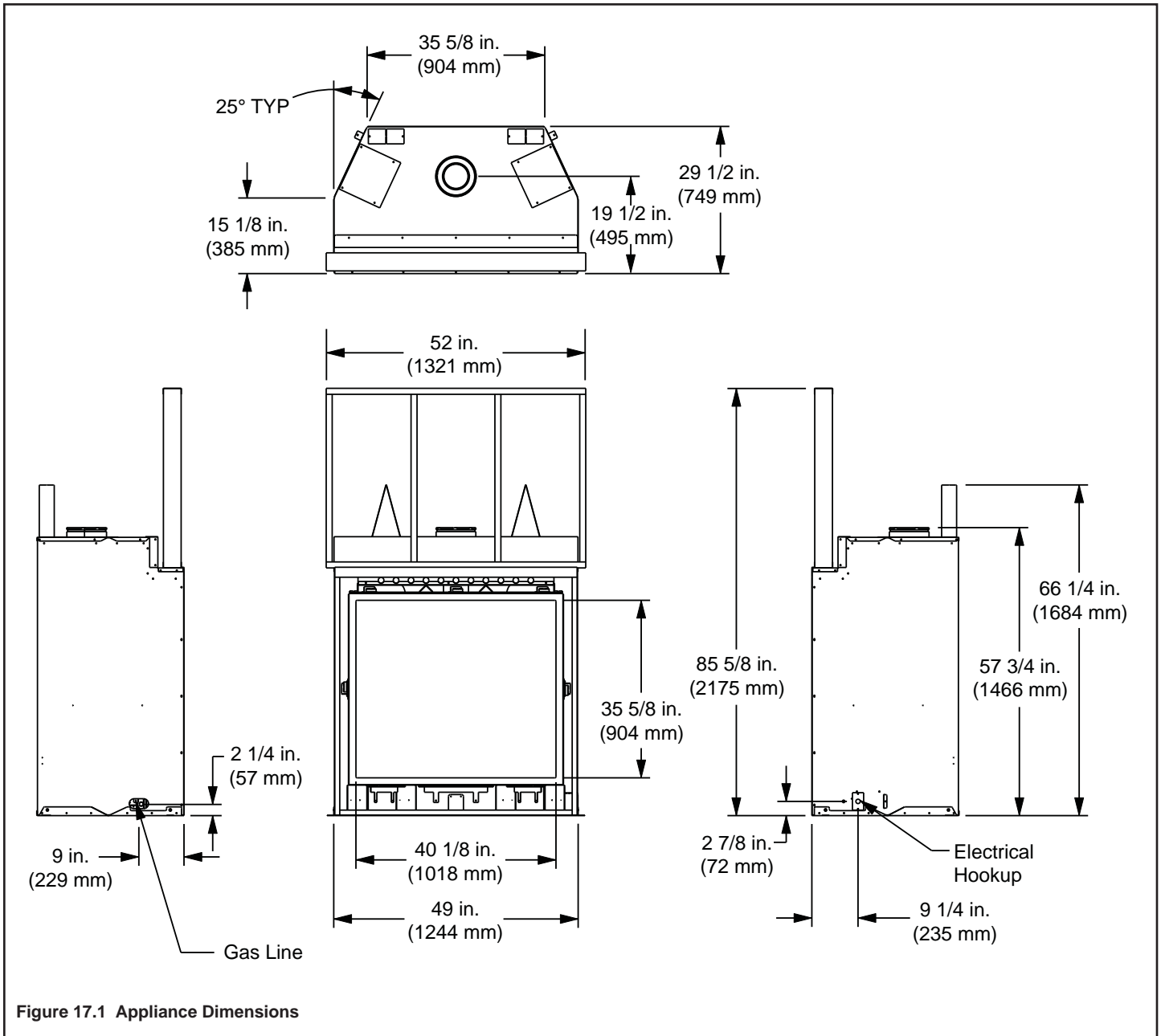
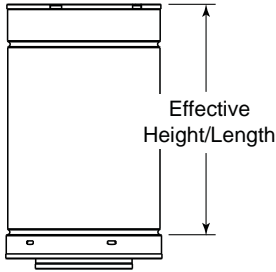


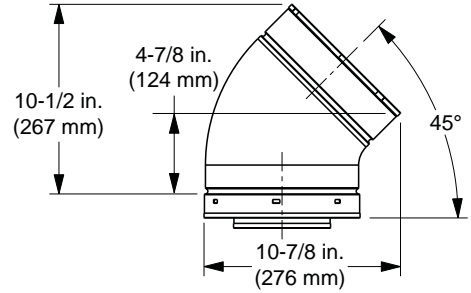
Figure 17.1 Appliance Dimensions

B. Vent Components Diagrams

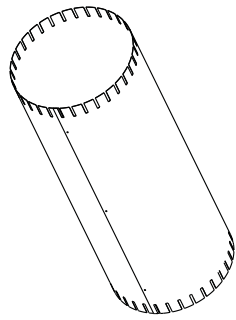


DVP Pipe
(see chart)

Effective Height/Length		
Pipe	inches	mm
DVP4	4	102
DVP6	6	152
DVP12	12	305
DVP24	24	610
DVP36	36	914
DVP48	48	1219
DVP6A	3 - 6	76 - 152
DVP12A	3 - 12	76 - 305

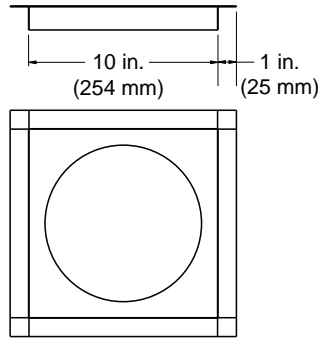


DVP45
45° Elbow

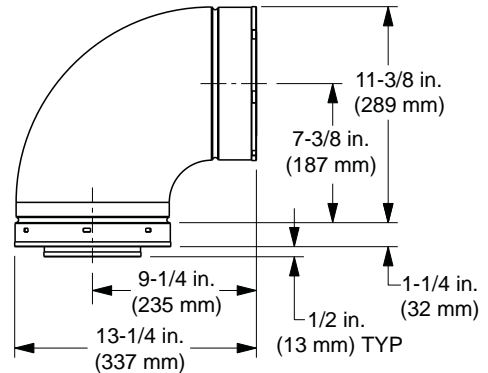


Assembled
Height: 24 in./610 mm
Diameter: 10 in./254 mm

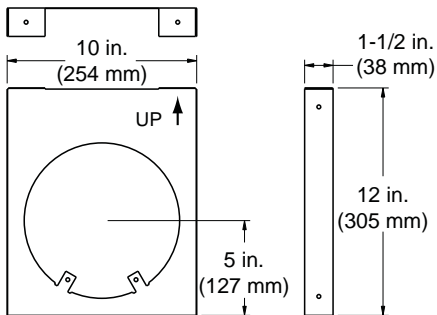
DVP-AS2



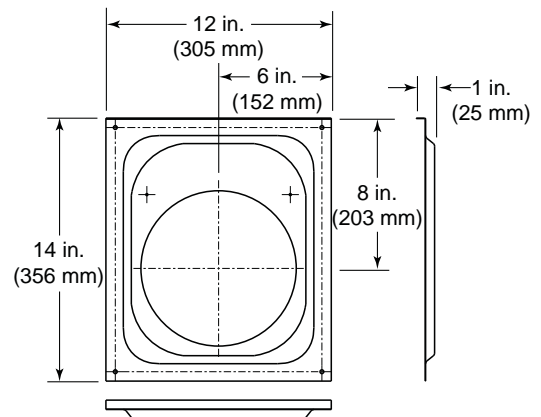
DVP-FS
Ceiling Firestop



DVP90ST
90° Elbow



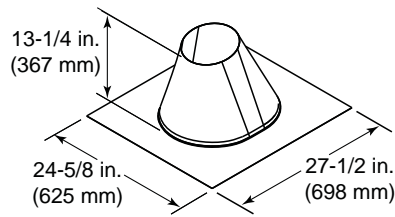
DVP-HVS
Vent Support



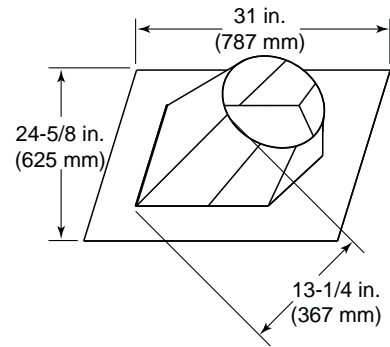
DVP-WS
Wall Shield Firestop

Figure 17.2 DVP Vent Components

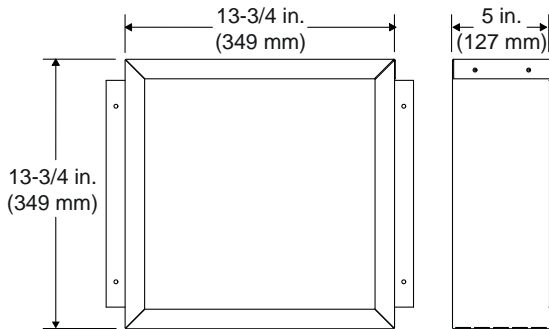
B. Vent Components Diagrams (continued)



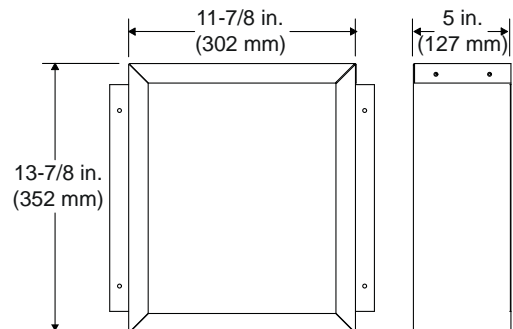
RF6M
Roof Flashing Multi-pak



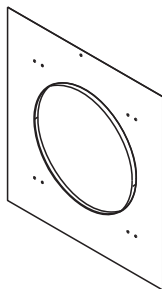
RF12M
Roof Flashing Multi-pak



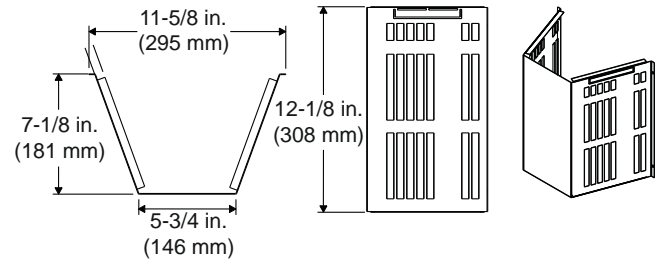
BEK
Trap Cap Brick Extension



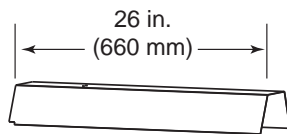
DVP-BEK2
DVP-HPC Cap Brick Extension



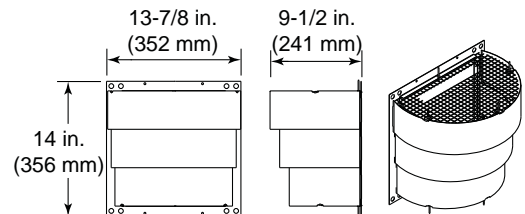
DVP-TRAPFL
Flashing



COOL-ADD
Cap Shield



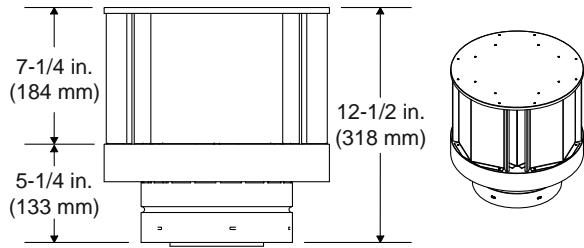
DVP-HSM-B
Extended Heat Shield



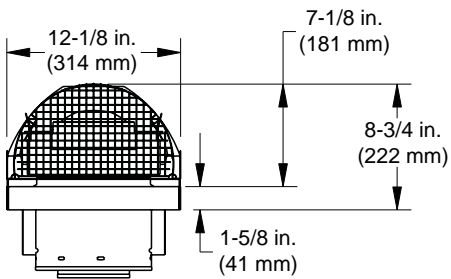
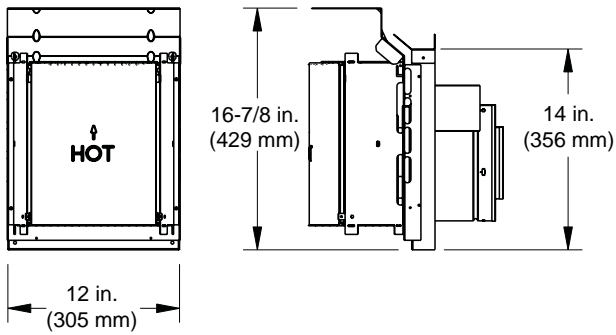
DRC-RADIUS
Cap Shield

Figure 17.3 DVP Vent Components

B. Vent Components Diagrams (continued)



DVP-TVHW
Vertical Termination Cap (High wind)

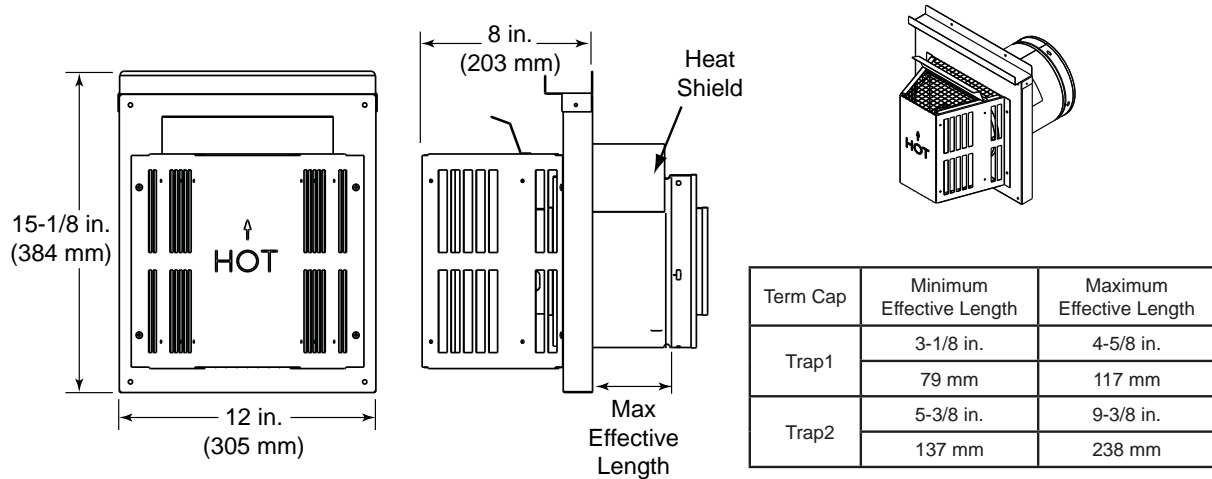


DVP-HPC
High Performance Cap

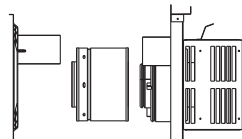
Figure 17.4 DVP Vent Components

B. Vent Components Diagrams (continued)

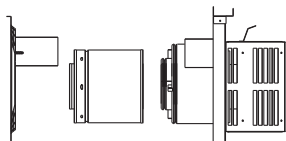
Note: Heat shields MUST overlap by a minimum of 1-1/2 in. (38 mm). **The heat shield is designed to be used on a wall 4 in. to 7-1/4 in. (102 mm to 184 mm) thick.** If wall thickness is less than 4 in. (102 mm) the existing heat shields must be field trimmed. If wall thickness is greater than 7-1/4 in. (184 mm) a DVP-HSM-B will be required.



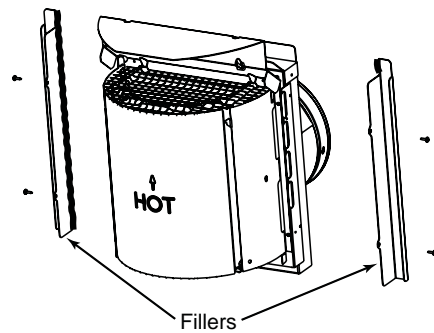
DVP-TRAP
Horizontal Termination Cap



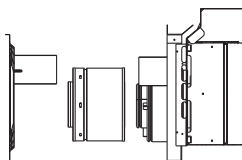
DVP-TRAP1



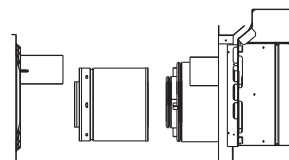
DVP-TRAP2



DVP-TRAP to DVP-HPC Side Filler Kit



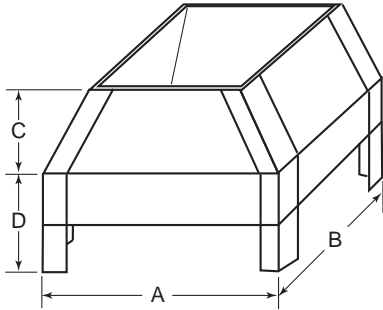
DVP-HPC1



DVP-HPC2

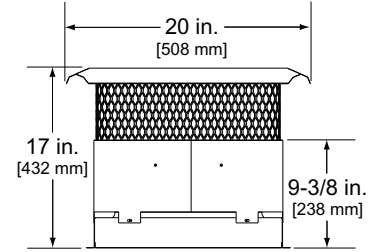
Figure 17.5 DVP Vent Components

D. Optional Components



LDS33/LDS46 Decorative Shroud

Catalog #	A		B		C		D	
	in.	mm	in.	mm	in.	mm	in.	mm
LDS33	36	914	36	914	8.5	216	11	279
LDS46	48	1219	72	1829	8.5	216	11	279

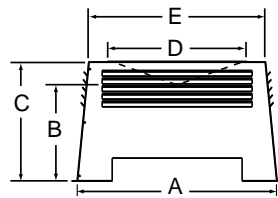
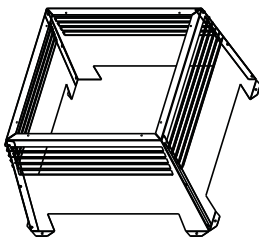


TCG375 Terra Cotta Cap

LDSCP-M Shroud Leg Multipack
(not shown)

LPK-LUX60 Conversion Kit
(not shown)

NGK-LUX60 Conversion Kit
(not shown)



LDS-BV Decorative Shroud

Catalog #	A	B	C	E	E
	in.	mm	in.	mm	mm
LDS-BV	26	12.5	15.5	22	23
	660	318	394	533	584

LUX60-TMPLT Rock Template Kit
(not shown)

QFP-HEAT-ZONE
(not shown)

See your Heat & Glo dealer for a complete listing of optional components.



E. Contact Information



Heat & Glo, a brand of Hearth & Home Technologies Inc.
7571 215th Street West, Lakeville, MN 55044
www.heatnglo.com

Please contact your Heat & Glo dealer with any questions or concerns.
For the location of your nearest Heat & Glo dealer,
please visit www.heatnglo.com.

- NOTES -

NOTICE		
	DO NOT DISCARD THIS MANUAL	
<ul style="list-style-type: none">• Important operating and maintenance instructions included.	<ul style="list-style-type: none">• Read, understand and follow these instructions for safe installation and operation.	<ul style="list-style-type: none">• Leave this manual with party responsible for use and operation.

This product may be covered by one or more of the following patents: (United States) 5328356, 5601073, 5613487, 5647340, 5890485, 5941237, 5947112, 5996575, 6006743, 6019099, 6053165, 6145502, 6170481, 6374822, 6484712, 6601579, 6769426, 6863064, 7077122, 7098269, 7258116, 7470729 or other U.S. and foreign patents pending.

2000-945

Copyright 2011