

iNeck
NECK MASSAGER

USER MANUAL

Made in China
Manufactured by: Shenzhen Breo Technology, Co., Ltd.
Company Address: Jinshan Bldg., No. 5033, Shennan East Road,
Shenzhen, 518008, China

www.breo.com.cn
www.breo-usa.com

breo®



Contents

Introduction	3
Inside the Package	4
Function Deployment	5
Preparation	7
Operation	8
Precautions	9
Troubleshooting & Technical Parameters	10

Thank you for purchasing BREO iNeck

Please read this manual carefully before using the product, and keep it in a safe place for future reference.



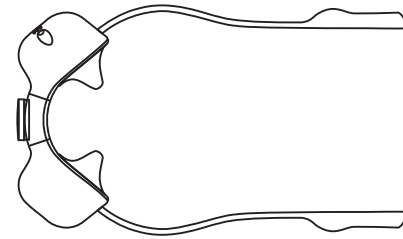
Introduction

For relief of minor aches and pains

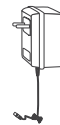
The iNeck neck massager is a BREO patented product that relaxes the cervical vertebra by kneading, pressing, and massaging the pressure points on the neck. Using shiatsu massage techniques, the iNeck helps ease tensed muscles, relieve stress, and fully relax the neck.

Inside the Package

The package includes: 1 Main Unit, 1 Power Charger, 1 Anti Hair-Clip Belt, 1 EVA Case, 1 User Manual



Main Unit



Power Charger



User Manual



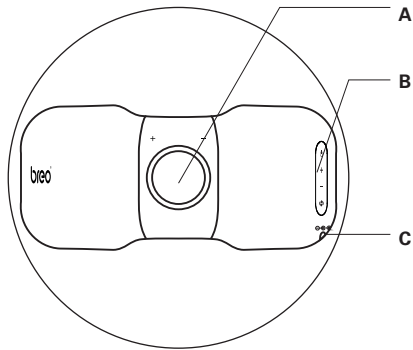
EVA Case



Anti Hair-Clip Belt (washable)

Function Deployment

Main Unit



A Size Adjusting Knob

B Operating Buttons

(from top to bottom: power button, intensity level up key, intensity level down key, mode selection key)

C DC Power Port

Preparation

Prior to use, check the condition of the massager and accessories.

1. No damage on power charger.
2. Fully charge the battery prior to use.

Charging

1. Open the cover of the DC power port on the main unit.
2. Insert the plug of the power charger to the DC port.
3. While charging, the LED indicator flashes red/green alternately. The LED indicator turns to a steady green when fully charged.
4. The main unit is powered by high-performance lithium battery.

Wear

1. Hold the handles with your hands, and place the massage head of the main unit on the cervical vertebra (back of the neck). Rotate the knob to adjust to the most comfortable fit.
2. Pull the handles with both hands, and adjust the massage mode and intensity to your preference.



Operation

Power on: Press the  Power button – LED light turns red, and the massager immediately starts.

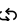
(Preset default: medium intensity + shiatsu massage + 20 minutes duration)

Manually operate related function buttons to switch between intensity levels and massage modes.

Power off: Press the  Power button – LED light and massager turn off.
(When the massage time is up, the massager automatically turns off)


Manual mode


Select mode : Default mode is shiatsu mode 4

Press the  button – the massage mode changes in this sequence: shiatsu mode 1 > shiatsu mode 2 > shiatsu mode 3 > shiatsu mode 4 (the four modes differ in direction of strokes)

Select

intensity level: Default intensity is medium level

From default, press the  button once to switch the intensity to high or a level higher, if you are coming from low

From default, press the  button once to switch the intensity to low or a level lower, if you are coming from high

Note: Action buttons are always accompanied by a beeping sound.

Precautions

1. Please read the manual carefully and operate accordingly.
2. Children under 18 years old cannot use the massager.
3. Keep the massager away from humidity, heat and corrosive gas.
4. Do not use while walking or driving.
5. If your hair is long, we recommend that you tie it up before using the neck massager. This will prevent the hair from getting caught in the machine.
6. Use only the supplied DC5V power charger, use it with caution, and according to specifications.
7. This massager should not be used by:
 - a. People who suffer from swelling, inflammation or blood stasis in the neck, or have undergone neck surgery
 - b. People who suffer from hypertension and mental illness
8. The massager is a personal care product, and does not substitute health care professionals' advice and treatment. In case of doubt or if necessary, please consult your health care professional.
9. To clean, wipe with aseptic cotton and alcohol. Do not wash or immerse in water.
10. This device complies with Part 15 of the FCC Rules. Operation is subject to the following two conditions:
 - (1) this device may not cause harmful interference, and
 - (2) this device must accept any interference received, including interference that may cause undesired operation.





Precautions

11. Please note that changes or modifications not expressly approved by the party responsible for compliance could void the user's authority to operate the equipment.
12. This equipment has been tested and found to comply with the limits for a Class B digital device, pursuant to Part 15 of the FCC Rules. These limits are designed to provide reasonable protection against harmful interference in a residential installation. This equipment generates, uses and can radiate radio frequency energy and, if not installed and used in accordance with the instructions, may cause harmful interference to radio communications. However, there is no guarantee that interference will not occur in a particular installation. If this equipment does cause harmful interference to radio or television reception, which can be determined by turning the equipment off and on, the user is encouraged to try to correct the interference by one or more of the following measures:
 - Reorient or relocate the receiving antenna.
 - Increase the separation between the equipment and receiver.
 - Connect the equipment into an outlet on a circuit different from that to which the receiver is connected.
 - Consult the dealer or an experienced radio/TV technician for help.

Troubleshooting&Technical Parameters

When operational problems occur, please refer to the chart below.
Do not disassemble the machine or try to repair it yourself.

Problem	Possible Reason	Possible Solution
Power-On failure	Lithium battery power is low	Charge the main unit at once
Weak Vibration	Lithium battery power is low	Charge the main unit at once

Power Supply

D C: 5V

Power: 10W

Dimensions

Massager: L223mm × W102mm × H92mm

Net weight: 1100g

Atmospheric pressure: 860hpa ~ 1060hpa

Ideal Environment

Temperature: 5°C-40°C

Relative humidity: ≤80%

