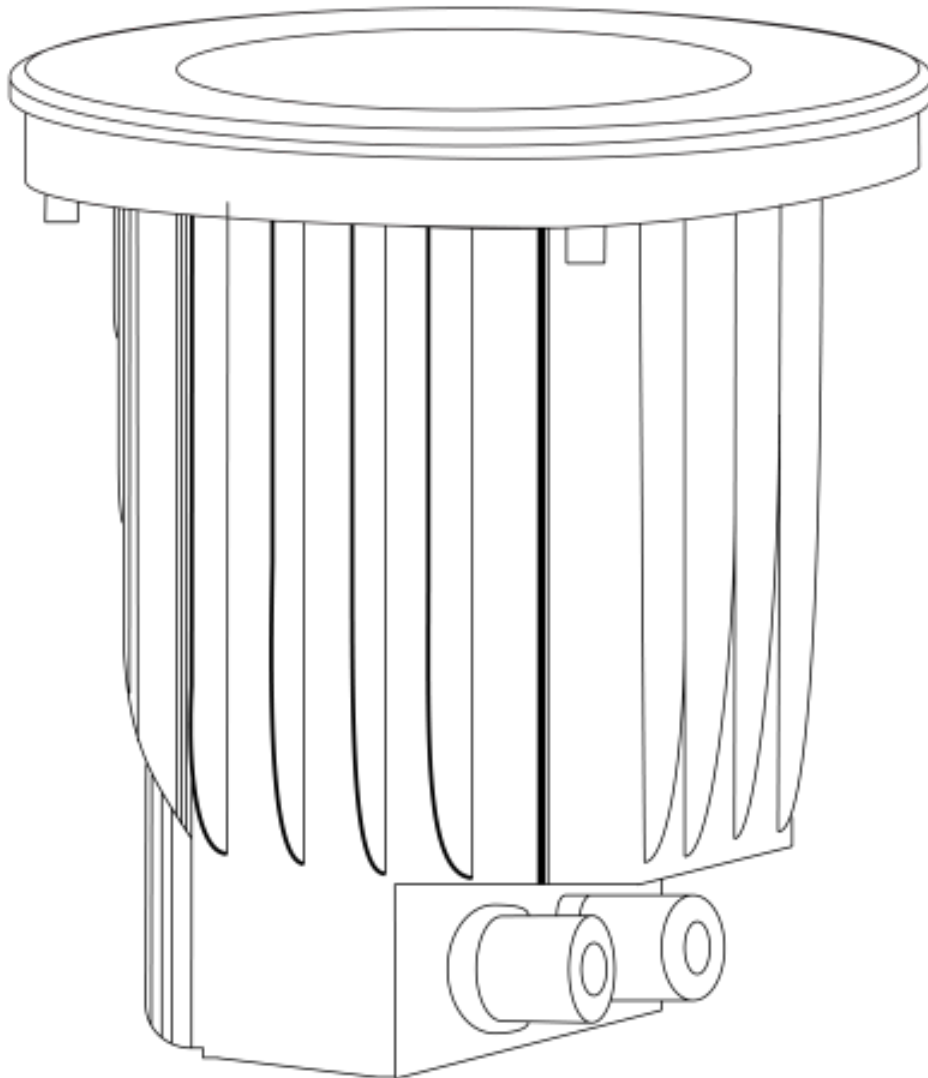


Illumipod Inground Tri-3 IP Optic 25 RGB

User Manual



ILUMINARC®

Edition Notes

The Ilumipod Inground Tri-3 IP Optic 25 RGB User Manual Rev. 8 covers the description, safety precautions, installation, programming, operation, and maintenance of the Ilumipod Inground Tri-3 IP Optic 25 RGB. ILUMINARC® released this edition of the Ilumipod Inground Tri-3 IP Optic 25 RGB User Manual Rev. 8 in November 2015.

Trademarks

The ILUMINARC® logo, the ILUMINARC® name and all other trademarks in this document related to services or products by ILUMINARC® are trademarks owned or licensed by ILUMINARC®, its affiliates or subsidiaries. Any other product names, logos, brands, company names, trademarks featured or referred to within this document are the property of their respective trademark holders.

Copyright Notice

The entire content of this document, except where applicable and unless otherwise noted, is solely owned by ILUMINARC®, a wholly owned trademark of Chauvet & Sons, Inc.

© Copyright 2015 ILUMINARC®.

All rights reserved.

Electronically published by ILUMINARC® in the United States of America.

Manual Usage

ILUMINARC® authorizes its customers to download and print this manual for professional information purposes only. ILUMINARC® expressly prohibits the usage, copy, storage, distribution, modification, or printing of this manual or its content for any other purpose without its written consent.

Document Printing

For better results, print this document in color, on letter size paper (8.5 x 11 inches), double sided. If using A4 paper (210 x 297 mm), configure your printer to scale the content of this document to A4 paper.

Intended Audience

Any person in charge of installing, operating, and/or maintaining the Ilumipod Inground Tri-3 IP Optic 25 RGB should read the Quick Reference Guide that shipped with product and this manual in their entirety before installing, operating, or maintaining this product.

Disclaimer

ILUMINARC® believes that the information contained in this manual is accurate in all respects. However, ILUMINARC® assumes no responsibility for any error or omissions in this document. ILUMINARC® reserves the right to revise this document and to make changes from time to time in the content hereof without obligation of ILUMINARC® to notify any person or company of such revision or changes. This does not constitute in any way a commitment by ILUMINARC® to make such changes. ILUMINARC® may issue a revision of this manual or a new edition of it to incorporate such changes.

Document Revision

The Ilumipod Inground Tri-3 IP Optic 25 RGB User Manual Rev. 8 supersedes all previous versions of this manual. Please discard any older versions of this manual you may have, whether in printed or electronic format, and replace them with this version

Author	Date	Editor	Date
D. Coupe	5/4/15		

Table of Contents

- 1. Introduction 1**
 - What Is in the Box 1
 - Unpacking Instructions 1
 - Claims1
 - Text Conventions 1
 - Safety Notes 2
 - Personal Safety2
 - Mounting and Installation.....2
 - Power and Wiring2
 - Operation.....2
- 2. Product Description 3**
 - Features 3
 - Additional Equipment.....3
 - Product Overview 4
 - Product Dimensions 5
- 3. Installation 6**
 - Installation Notes 6
 - Installation Sleeve Orientation6
 - Installation Sleeve Setup6
 - AC Power 7
 - Power Consumption7
 - AC Plug7
 - Power Wiring7
 - DMX Linking 8
 - DMX Modes.....8
 - Protocol Connectivity.....8
 - Controllers 9
 - DMX Controller9
 - Ilumicode Addresser10
- 4. Operation 11**
 - Ilumicode Addresser..... 11
 - Ilumicode Panel Description11
 - Control Options 11
 - Programming..... 11
 - DMX Personality.....11
 - DMX Starting Address11
 - Static Colors12
 - Whites Setting12
 - Color.....12
 - Dimmer12
 - Reset12
 - Menu Map 13
 - DMX Values 14
 - ARC 114
 - ARC 1 + D14
 - SOLID.....14
 - ARC FULL15

5. Technical Information	16
Product Maintenance	16
Product Repairs.....	16
Troubleshooting Guide	17
Photometrics	18
LED Disclaimer.....	19
LED Life.....	19
LED Binning.....	19
Color Rendering Index (CRI)	19
Returns Procedure	20
Technical Specifications.....	21

1. Introduction



This icon indicates useful, although non-critical information.



This icon indicates important installation or configuration information. Failure to comply with this information may prevent the product from functioning correctly.



This icon indicates critical installation, configuration, or operation information. Failure to comply with this information may render the product partially or completely inoperative, damage third-party equipment, or cause harm to the user.



The term “DMX” used throughout this document refers to the USITT DMX512-A transmission protocol.

What Is in the Box

- One Ilumipod Inground Tri-3 IP Optic 25 RGB
- One Installation Sleeve
- Warranty Card
- Quick Reference Guide

Unpacking Instructions

Immediately upon receiving a product from ILUMINARC®, carefully unpack the carton. Check the contents of the box to ensure that all parts are present and that they are in good condition.

Claims

The carrier is responsible for any damage incurred during shipping. Therefore, if the received merchandise appears to have been damaged during shipping, the customer must submit the damage report and any related claims to the carrier, not ILUMINARC®. The customer must submit the report upon reception of the damaged merchandise. Failure to do so in a timely manner may invalidate the customer’s claim with the carrier.

For other issues such as missing components or parts, damage not related to shipping, or concealed damage, the customer must make claims to ILUMINARC® within seven (7) days of receiving the merchandise.

Text Conventions

Convention	Meaning
1–512	A range of values in the text
50/60	A set of mutually exclusive values in the text
<i>DMX Primer</i>	The name of another publication or manual
<SET>	A button on the product’s control panel
Settings	A product function or a menu option
MENU > Settings	A sequence of menu options
1–10	A range of menu values from which to choose in a menu
Yes/No	A set of two mutually exclusive menu options in a menu
ON	A unique value to enter or select in a menu



There are no user serviceable parts inside this

product. Any reference to servicing you may find from now on in this User Manual will only apply to properly certified ILUMINARC® technicians. Do not open the housing or attempt any repairs unless you are certified to do so.



Please refer to all applicable local codes and regulations for the proper installation of this product.



Keep this manual for future consultation. If you sell this product to another user, make sure that they also receive this manual.



In the unlikely event that your Illumipod

Inground Tri-3 IP Optic 25 RGB may require service, please contact ILUMINARC® Technical Support.

Safety Notes

Please read all the following safety notes carefully because they include important information on how to install, use, and maintain this product safely.

Personal Safety

- Avoid direct eye exposure to the light source while the product is on.
- Always disconnect this product from its power source before servicing.
- Always connect this product to a grounded circuit to avoid the risk of electrocution.
- Do not touch this product's housing when operating because it may be very hot.

Mounting and Installation

- This product is for outdoor use and can be submerged (IP67). However, do not submerge deeper than 1 m for more than thirty (30) minutes.
- CAUTION: When transferring product from extreme temperature environments, (e.g. cold truck to warm humid ballroom) condensation may form on the internal electronics of the product. To avoid causing a failure, allow product to fully acclimate to the surrounding environment before connecting it to power.
- Make sure there are no flammable materials close to this product while operating.

Power and Wiring

- Always make sure that you are connecting this product to the proper voltage, as per the specifications in this manual or on the product's sticker.
- Never connect this product to a dimmer pack.
- Make sure that the power input cable is not cracked, crimped, or damaged.
- Never disconnect this product by pulling or tugging on the power input cable.

Operation

- The maximum ambient temperature is 113 °F (45 °C). Do not operate this product at a higher temperature.
- In case of a serious operating problem, stop using this product immediately!

2. Product Description

The Ilumipod Inground Tri-3 IP Optic 25 RGB is a tri-color wash light intended for inground installation. The product consists of a cast aluminum body containing a power supply, control unit, drive-over-rated glass lens cover, and tri-color LEDs.

Features

- 1, 3, 4 or 7-channel DMX-512 LED inground washlight
- Operating modes:
 - 1-channel (SOLID): Dimmer
 - 3-channel (ARC 1): RGB control
 - 4-channel (ARC 1 + D): RGB, dimmer
 - 7-channel (ARC FULL): RGB, dimmer, color macro, strobe, dimmer speed
- Five distinct dimming curves
- IP67 stainless steel gland nuts for cable entry
- Remotely addressable with Ilumicode Addresser
- IP67 ingress protection
- Gore™ valve
- Drive-over-rated glass lens cover
- High-power 3 W (1,050 mA) tri-color LEDs

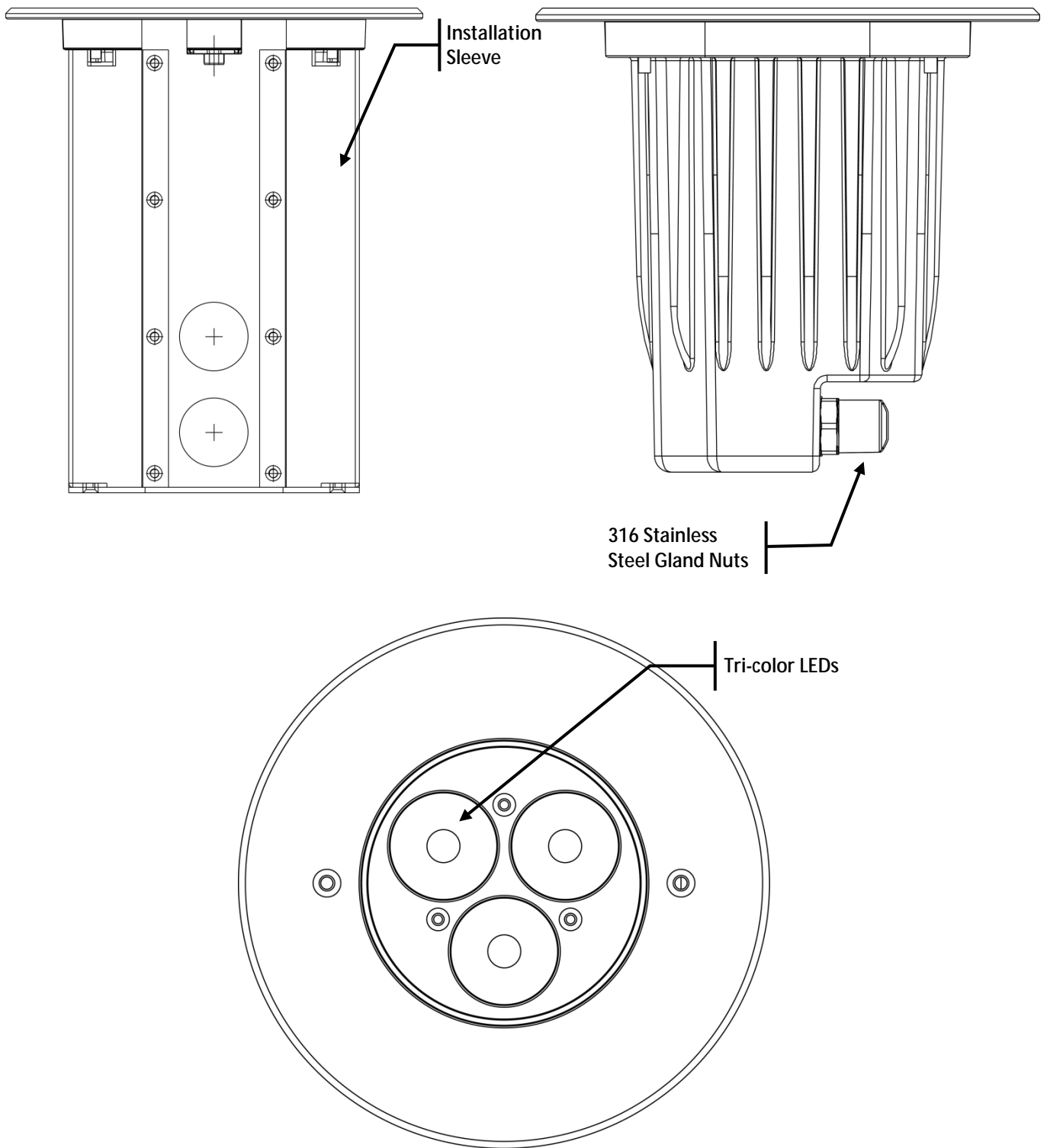
Additional Equipment

- Ilumicode addresser required for product configuration (sold separately)

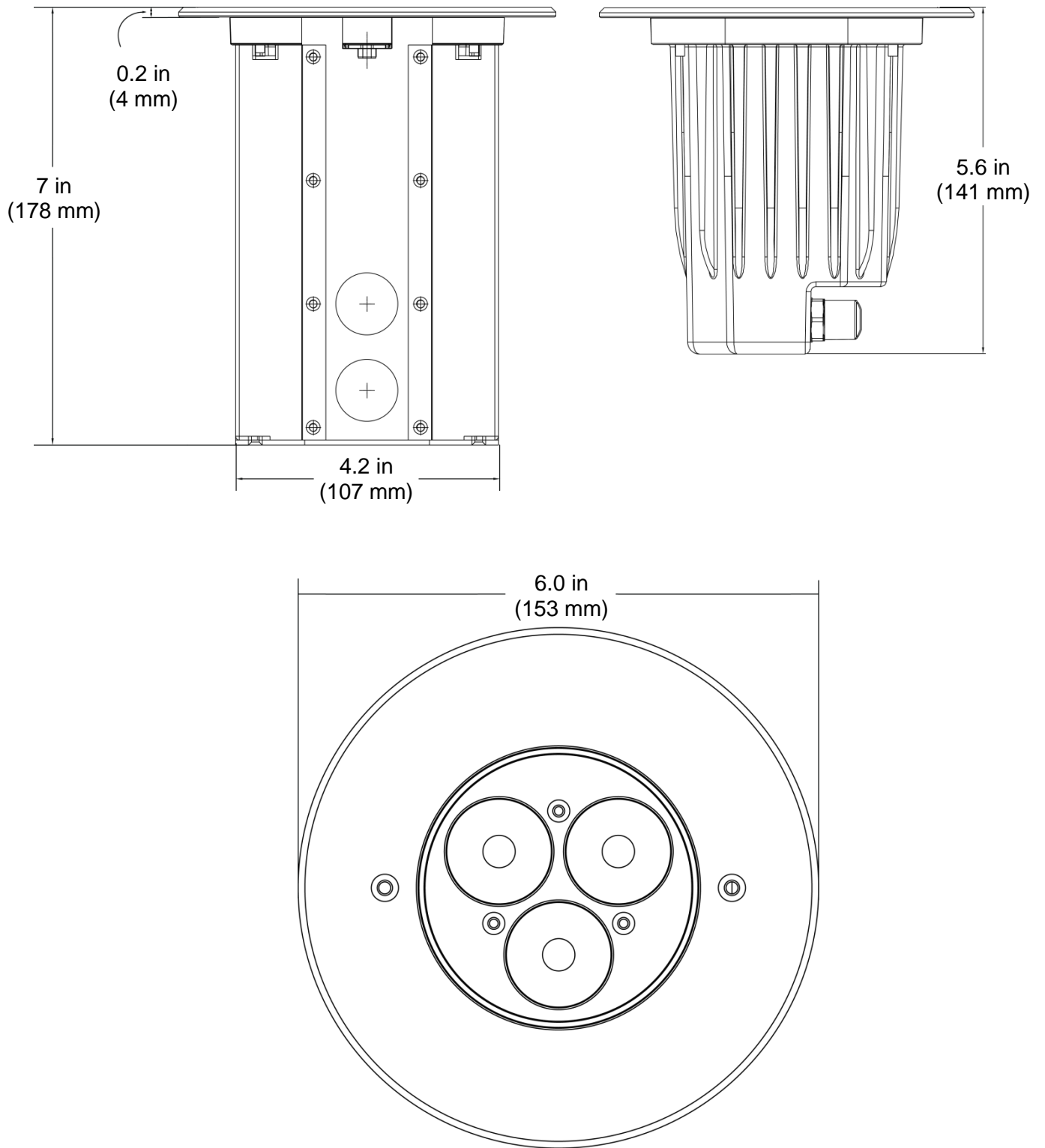


- The RDM2go, which includes a built in ilumicode addresser along with many other useful features is now available.
- The Ilumicode addresser is required for product configuration (sold separately).

Product Overview



Product Dimensions



3. Installation

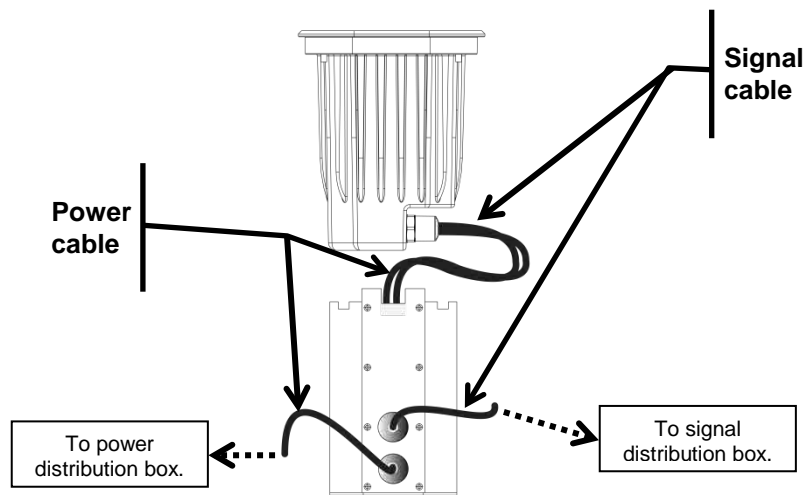
Installation Notes

The Ilumipod Inground Tri-3 IP Optic 25 RGB consists of two parts, the product housing and the concrete installation sleeve. The product housing is IP67-rated. The installation sleeve is not. Read the *Installation Sleeve Setup* instructions carefully.

i Always keep the power cables away from the signal cables by running them in different conduits and using separate distribution boxes.

Installation Sleeve Orientation

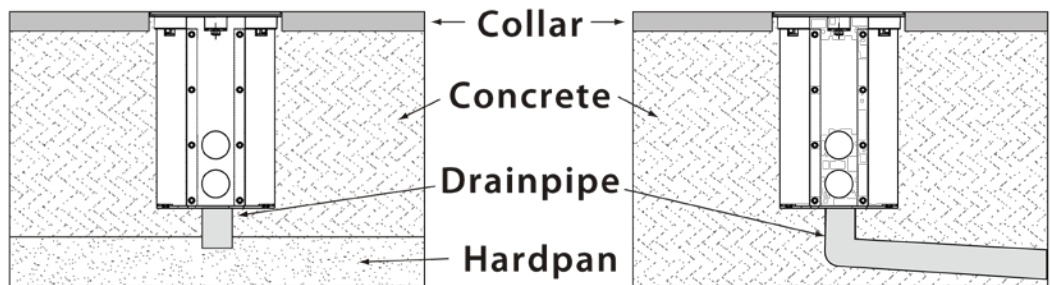
You will have to run the AC power and signal cables into the concrete installation sleeve. Position the installation sleeve so the signal cable enters the sleeve using one of the two cable inlets. Use the opposite inlet for the power cable (refer to the following figure). This will reduce the stress to the signal and power cables when setting down the product, while keeping them separated under the product's housing.




Installation Sleeve Setup


When setting up the installation sleeve, make sure that any water that may have entered it can drain out of the sleeve on its own. Locate the installation sleeve above the normal drainage level so the product is never under more than 1 m of water (IP67) during heavy rain.


In addition, make sure that the installation sleeve and the stainless steel collar are horizontal and even with the ground surface. This helps to distribute the load uniformly over the product's surface and avoids creating dangerous bumps.





! Ilumipod Inground Tri-3 IP Optic 25 RGB products can support a distributed load of up to 3,000 kg (6,614 lb) when properly installed.

 Always connect the Ilumipod Inground Tri-3 IP Optic 25 RGB to a protected circuit with an appropriate electrical ground to avoid the risk of electrocution or fire.

 Never connect the Ilumipod Inground Tri-3 IP Optic 25 RGB to a rheostat (variable resistor) or dimmer circuit, even if the rheostat or dimmer channel serves only as a 0 to 100% switch.

 Make sure to connect the Ilumipod Inground Tri-3 IP Optic 25 RGB to a power line with the proper voltage and frequency, as per the specifications in this manual or on the product's sticker.

 The listed current rating indicates the maximum current draw during normal operation.

 If you choose to bury the power or signal distribution boxes, make sure that they are IP67-rated or greater.

AC Power

The Ilumipod Inground Tri-3 IP Optic 25 RGB has an auto-ranging power supply that can work with an input voltage range of 100~240 VAC, 50/60 Hz.

Make sure that you are connecting this product to the proper voltage, as per the specifications in this User Manual or on the product's sticker.

Power Consumption

To determine the power requirements for the Ilumipod Inground Tri-3 IP Optic 25 RGB see the label affixed to the side of the product. Alternatively, you may refer to the specifications chart in the [Technical Information](#) chapter of this User Manual.

The listed current rating indicates the maximum current draw during normal operation.

AC Plug

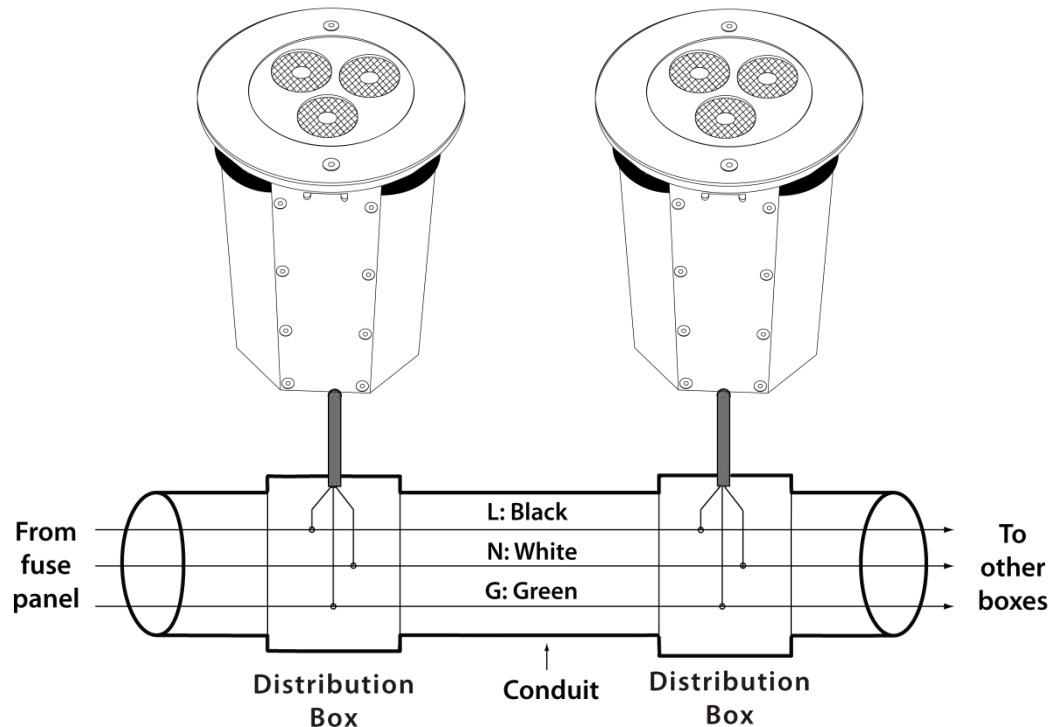
The Ilumipod Inground Tri-3 IP Optic 25 RGB comes with an un-terminated power input cord for hardwiring during installation. Use the table and the illustration below to wire a plug.

Connection	Wire (US)	Screw Color (US)	Wire (Europe)	IP67 Pin
AC Live	Black	Yellow or Brass	Brown	1
AC Neutral	White	Silver or Gray	Blue	2
AC Ground	Green/Yellow	Green	Green/Yellow	3

Power Wiring

You can connect the bare-ended IP67 rated AC power cable from the fixture to an IP67 rated power connector or IP67 rated junction box.

If using junction boxes, make sure to use IP67-rated conduit for surface installations.



i The Ilumipod Inground Tri-3 IP Optic 25 RGB products must be linked using DMX cable in a daisy chain (serial) fashion. To comply with the EIA-485 standard, no more than 32 products should be connected on one daisy chain without using a DMX optically-isolated splitter. Doing otherwise may result in deterioration of the digital DMX signal.

i USITT recommends limiting the total length of the DMX cable (from the first product/controller to the last product) to 300–455 m (985–1,500 ft).

! Disconnect the product from the AC power before opening it.

i The signal cable must match or exceed the electrical characteristics of the Belden® 9841 cable for EIA RS-485 applications. You may also use CAT5, 5e, or CAT6 LAN cable.

DMX Linking

You may link the Ilumipod Inground Tri-3 IP Optic 25 RGB to a DMX controller using a standard DMX serial connection. If using other DMX products compatible with the Ilumipod Inground Tri-3 IP Optic 25 RGB, you can control each individually with a single DMX controller.

If you are not familiar with the DMX standard, or if you need information about the DMX cables needed to link the Ilumipod Inground Tri-3 IP Optic 25 RGB to a DMX controller, you may download the *DMX Primer* document from the ILUMINARC® website at <http://www.iluminarc.com/reports/dmx-primer>.

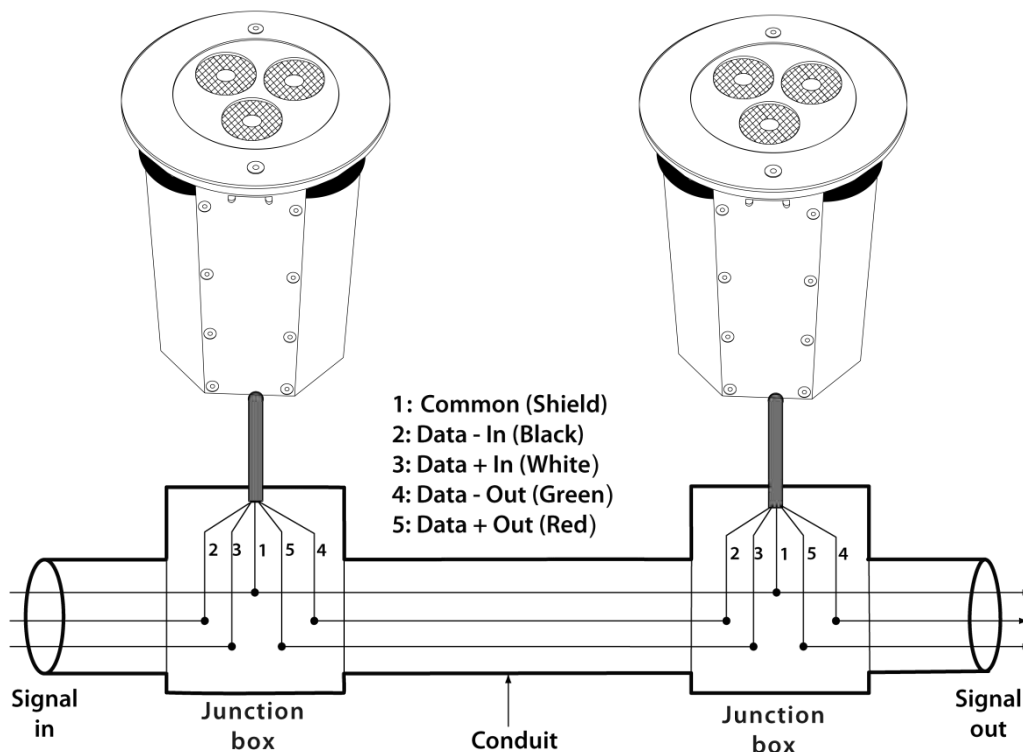
DMX Modes

The Ilumipod Inground Tri-3 IP Optic 25 RGB uses the standard DMX data connection for its **ARC 1**, **ARC 1 + D**, **ARC FULL**, and **SOLID**. Refer to the [Introduction](#) chapter for a brief description of these modes and the [Operation](#) chapter to learn how to configure the Ilumipod Inground Tri-3 IP Optic 25 RGB. The [DMX Values](#) section will give you detailed information regarding the above-mentioned DMX modes.

DMX Mode	DMX Address	DMX Mode	DMX Address
ARC FULL	506	SOLID	512
ARC 1	510	ARC 1 + D	509

Protocol Connectivity

The Ilumipod Inground Tri-3 IP Optic 25 RGB uses the USITT DMX 512 Protocol. The procedure below illustrates the recommended connection method.



Controllers

The Ilumipod Inground Tri-3 IP Optic 25 RGB can operate with a standard DMX controller or the Ilumicode addresser. The sections below will show you how to connect these products to the corresponding controllers. The instructions to operate these products with each of the above controllers are in the [Operation](#) chapter of this User Manual.

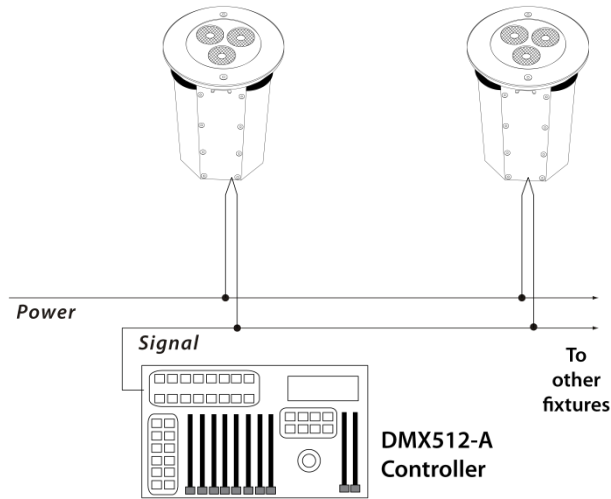
DMX Controller

The Ilumipod Inground Tri-3 IP Optic 25 RGB products can work with a standard DMX controller. The channel assignments will depend on the chosen personality (see the [Menu Map](#)) and the DMX address assigned to each product (see [Programming](#)).

The figure below illustrates how to connect the DMX controller to the Ilumipod Inground Tri-3 IP Optic 25 RGB products.



If you have not configured the DMX starting address and DMX mode for each product, they will all use their default values. This means that all products will operate in unison.



i The RDM2go, which includes a built in ilumicode addresser along with many other useful features is now available.

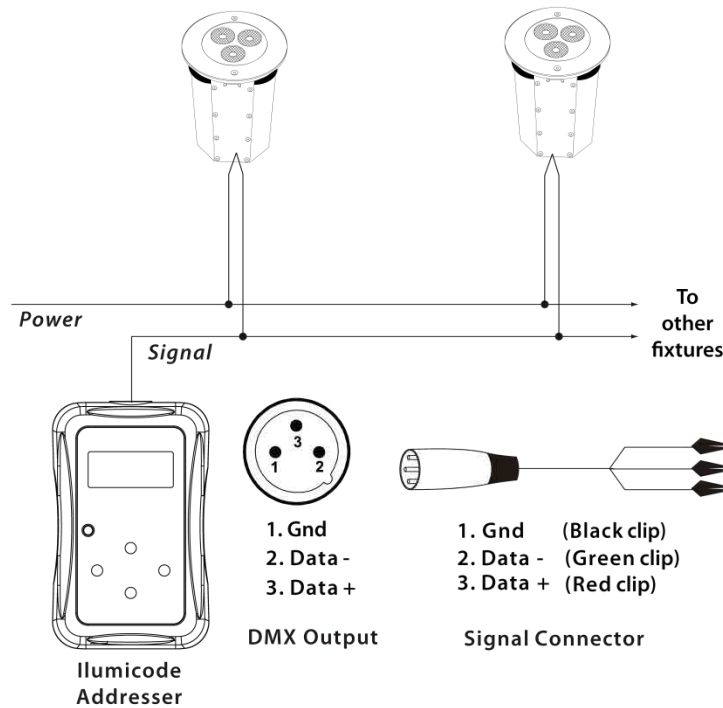
i ILUMINARC® suggests that you connect no more than 20 products together at one time with this controller and keep the total distance to less than 60 m (197 ft). Otherwise, you might need to use an optically isolated signal amplifier.

Ilumicode Addresser

The Ilumicode addresser (“Ilumicode”) is required to program the settings on the Ilumipod Inground Tri-3 IP Optic 25 RGB. The diagram below shows how to connect the Ilumicode addresser to this product.

Note that this connection will control multiple products at the same time, all having the same DMX address.

The Ilumicode must be used to configure the product. The Ilumicode can be purchased separately through your ILUMINARC® sales representative.



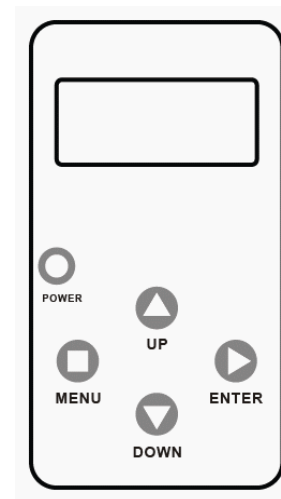
4. Operation

Illumicode Addresser

The Illumipod Inground Tri-3 IP Optic 25 RGB needs an external controller, the Illumicode addresser, to change its configuration.

Illumicode Panel Description

Button	Function
<MENU>	Exits from the current menu or function
<ENTER>	Enables the currently displayed menu or sets the currently selected value into the selected function
<UP>	Navigates upwards through the menu list and increases the numeric value when in a function
<DOWN>	Navigates downwards through the menu list and decreases the numeric value when in a function
<POWER>	Turns the unit on. The unit will turn off automatically after 30 seconds of inactivity.



Control Options

You can set the Illumipod Inground Tri-3 IP Optic 25 RGB start address in the **001–512** DMX range. This allows for the control of up to 73 fixtures in the 7-channel **ARC FULL** personality.

Programming

Carry out all the programming procedures indicated below from the control panel. Refer to the [Menu Map](#) to learn how the menu options relate to each other.

Use <ENTER> and <MENU> to change levels in the Menu Map. This is equivalent to moving right and left, respectively. Use <UP> and <DOWN> to move vertically within the Menu Map options.



When you scroll through the menu options, you will see many of them that do not correspond with this menu map. **Skip them, as they do not work with the RGB-only output products.**

DMX Personality

1. Go to **PERSON** and select any DMX personality.

Illumipod Inground Tri-3 IP Optic 25 RGB
ARC 1
ARC 1 + D
ARC FULL
SOLID

2. Make sure to rearrange the DMX addresses of all fixtures in the current DMX universe to avoid address overlapping.

DMX Starting Address

1. Go to **DMX**.
2. Select a starting DMX address (**001–512**).

Static Colors

1. Go to **STATIC**.
2. Select a color **RED**, **GREN** (green), or **BLUE**; or the strobe effect **STRB**.
3. Select a color value **000–255** (0–100%) or a strobe frequency **0–20** (0–20 Hz).

Whites Setting

1. Go to **CALIB**.
2. Select a white color **WHITE 1–11** or **RGBTOW**.
3. Select an RGB color **RED**, **GREN** (green), or **BLUE**.
4. Select a color value **0–255** (0–100%).
5. Repeat steps 3 and 4 for the other RGB colors to obtain a white color.
6. Repeat steps 2 to 5 for the other white colors.

Color

1. Go to **SETTINGS > COLOR**.
2. Select the color method (**OFF**, **RGBTOW**, or **UC**).

Color	Description
OFF	When the RGB faders are all at 255 , the output is at its maximum.
RGBTOW	When the RGB faders are all at 255 , the output is the selected white color (see <i>Whites Setting</i>).
UC	When the RGB faders are all at 255 , the output matches the same color output of previous versions of this product.

Dimmer

This setting gives the user four different options to simulate the dimming curve of an incandescent lighting product.

1. Go to **DIMMER**.
2. Select a dimmer curve (**OFF** or **DIM1–4**).

Procedure:

DIMMER	Description
OFF	Dimmer curve is linear with fader
DIM1	Non-linear (fastest)
DIM2	Non-linear (fast)
DIM3	Non-linear (slow)
DIM4	Non-linear (slowest)

Reset

This option resets the Ilumipod Inground Tri-3 IP Optic 25 RGB to the factory default settings.

1. Go to **SETTINGS > RESET**.
2. Select **YES** or **NO**.



DIM1 is the fastest dimmer curve and **DIM4** is the slowest.

Menu Map

Main Level	Programming Levels			Description
DMX	001–512			Sets the DMX starting address
PERSON	ARC 1			3-channel: RGB control
	ARC 1 + D			4-channel: RGB control + dimmer
	ARC FULL			7-channel: RGB control, dimmer, color macro, strobe, dimmer speed
	SOLID			1-channel: dimmer
CALIB	WHITE 1–11	RED GREN BLUE	0–255	Determines the white balance for the color macros
	RGBTOW			Determines the white balance when RGBTOW is active
DIMMER	OFF			Dimmer works in linear mode
	DIM1			Dimmer works in non-linear mode, from fast (DIM1) to slow (DIM4).
	DIM2			
	DIM3			
	DIM4			
STATIC	RED	0–255	Configures the static color (0–100%) and the strobe effect (0–20 Hz)	
	GREN			
	BLUE			
	STRB	0–20		
SETTINGS	COLOR	OFF		Maximum output, unbalanced white
		RGBTOW		White output is as per CALIB > RGBTOW settings
		UC		Output matches that of product's previous versions
	RESET	YES		Resets product to factory default settings
		NO		

DMX Values**ARC 1**

Channel	Function	Value	Percent/Setting
1	Red	000 ó 255	0–100%
2	Green	000 ó 255	0–100%
3	Blue	000 ó 255	0–100%

ARC 1 + D

Channel	Function	Value	Percent/Setting
1	Dimmer	000 ó 255	0–100%
2	Red	000 ó 255	0–100%
3	Green	000 ó 255	0–100%
4	Blue	000 ó 255	0–100%

SOLID

Channel	Function	Value	Percent/Setting
1	Dimmer	000 ó 255	0–100%

ARC FULL

Channel	Function	Value	Percent/Setting
1	Dimmer	000 ó 255	0–100%
2	Red	000 ó 255	0–100%
3	Green	000 ó 255	0–100%
4	Blue	000 ó 255	0–100%
5	White	000 ó 255	0–100%
6	Color Macro + White Balance	000 ó 010	No Function
		011 ó 030	Red 100% Green Up Blue 0%
		031 ó 050	Red Down Green 100% Blue 0%
		051 ó 070	Red 0% Green 100% Blue Up
		071 ó 090	Red 0% Green Down Blue 100%
		091 ó 110	Red Up Green 0% Blue 100%
		111 ó 130	Red 100% Green 0% Blue Down
		131 ó 150	Red 100% Green Up Blue Up
		151 ó 170	Red Down Green Down Blue 100%
		171 ó 200	Red 100% Green 100% Blue 100%
		201 ó 205	White 1: 3200 K
		206 ó 210	White 2: 3400 K
		211 ó 215	White 3: 4200 K
		216 ó 220	White 4: 4900 K
		221 ó 225	White 5: 5600 K
		226 ó 230	White 6: 5900 K
		231 ó 235	White 7: 6500 K
236 ó 240	White 8: 7200 K		
241 ó 245	White 9: 8000 K		
246 ó 250	White 10: 8500 K		
251 ó 255	White 11: 10000 K		
7	Strobe	000 ó 004	No Function
		005 ó 255	0–20 Hz
8	Dimming Speed	000 ó 009	Dimmer is set by Ilumicode
		010 ó 029	OFF (dimmer is linear)
		030 ó 069	DIM1 (fastest dimmer curve)
		070 ó 129	DIM2
		130 ó 189	DIM3
		190 ó 255	DIM4 (slowest dimmer curve)

5. Technical Information



Always dry the external optics and glass surfaces carefully after cleaning them.

Product Maintenance

To maintain optimum performance and minimize wear, the user should clean the products frequently. Usage and environment are contributing factors in determining the cleaning frequency. As a rule, the user should clean the products at least twice a month. Dust build-up reduces light output performance and can cause overheating. This can lead to reduced light source life.

To clean a product, follow the instructions below:

- Disconnect the power to the product.
- Wait until the product is at room temperature.
- Use a vacuum (or dry compressed air) and a soft brush to remove dust collected on the external surfaces.
- Clean all external glass optics and glass surfaces with a mild solution of glass cleaner or isopropyl alcohol, and a soft, lint free cotton cloth or a lens cleaning tissue.
- Apply the solution directly to the cloth or tissue and drag any dirt and grime to the outside of the lens.
- Gently polish the external glass surfaces until they are free of haze and lint.



If you still experience technical problems after trying the solutions in the Troubleshooting Table, contact ILUMINARC® Technical Support.

Product Repairs

ILUMINARC® strongly advises you against attempting any repairs to this product unless you are an authorized ILUMINARC® technician.

ILUMINARC® presents the information contained in the [Troubleshooting Table](#) as a guide only. In most cases, opening the product's housing will invalidate its warranty, unless there is a written indication to the contrary.

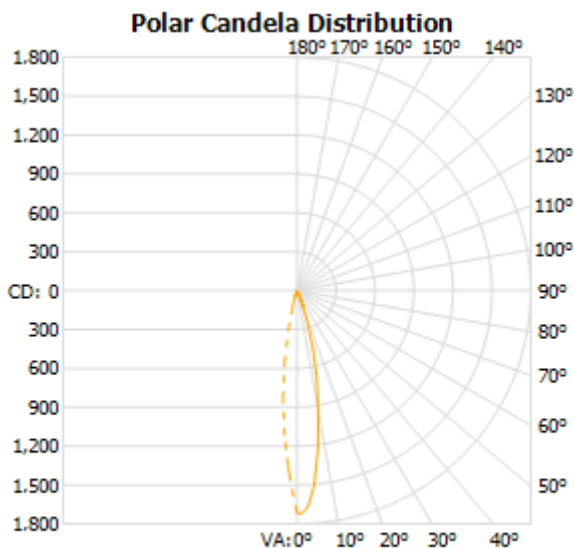
Troubleshooting Guide

Symptom	Cause(s)	Action(s)
Product does not light up	Dimmer fader set to 0	Increase the value of the dimmer channel
	All color faders set to 0	Increase the value of the color channels
	All colors in STATIC are set to 0	Increase the values of the colors
	Unit is being configured with Ilumicode	Complete the configuration process.
	No power	Verify external power circuit and wiring
	Faulty internal power supply	Return for service to ILUMINARC®
	Faulty main control board	Return for service to ILUMINARC®
One LED does not work	Faulty LED	Return for service to ILUMINARC®
	Faulty LED module	
	Faulty LED driver	
The wrong LEDs light up when using DMX	Wrong personality	Change the personality
	Wrong DMX address	Change the DMX address
Circuit breaker/fuse keeps tripping/blowing	Excessive circuit load	Check total load placed on the electrical circuit
	Short circuit along the power wires	Check for a short in the electrical wiring
Product does not power up	No power	Check for power on power outlet
	Loose or damaged power cord	Check power cord
	Faulty internal power supply	Return for service to ILUMINARC®
Product does not respond to DMX	Wrong DMX addressing	Check Control Panel and product addressing
	Damaged DMX cables	Check DMX cables
	Wrong polarity on the controller	Check polarity switch settings on the controller
	Loose DMX cables	Check cable connections
	Faulty DMX interface	Return for service to ILUMINARC®
	Faulty Display/Main board	Return for service to ILUMINARC®
DMX signal problems	Non DMX cables	Use only DMX compatible cables
	Bouncing signals	Install terminator as suggested in the <i>DMX Primer</i> from the ILUMINARC® website at http://www.iluminarc.com/reports/dmx-primer .
	Long cable/low-level signal	Install an optically coupled DMX splitter right after the product with the strong signal
	Too many products	Install an optically coupled DMX splitter after product #32 or before
	Interference from AC wires	Keep DMX cables separated from power cables or fluorescent/black lights

Photometrics

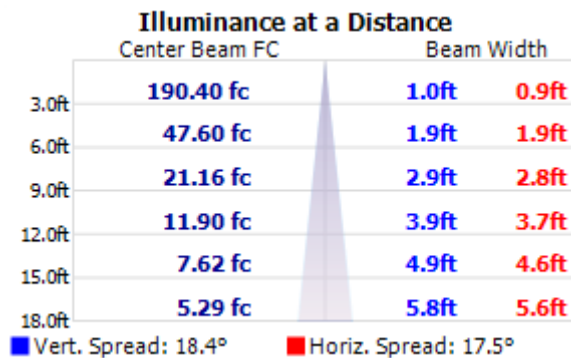
Filename: Ilumipod Inground Tri-3 IP Optic 25 RGB
100%

Manufacturer: ILUMINARC®
 Luminaire: Ilumipod Inground Tri-3 IP Optic 25 RGB
 Lamp: 3 Tri-color
 Lamp Output: 1 lamp, rated Lumens/lamp: 1380
 Max Candela: 1,749.7 at Horizontal: 0, Vertical: 3
 Input Wattage: 12.2
 Luminous Point
 Opening:
 Test: 2010-07-26
 Test Lab: ILUMINARC® R & D Optics Laboratory
 Photometry : Type B
 CIE Class: Direct
 Cutoff Class: Full Cutoff



■ - 45° H

Flood Summary				
	Efficiency	Lumens	Horizontal Spread	Vertical Spread
Field (10%):	40.9%	184.0	33.7	34.2
Beam (50%):	21.4%	96.3	17.5	18.4
Total:	47.8%	215.3		



Photometrics Pro 1.3.2 copyright 2003-2008 by jSolutions, Inc.
 Reported data calculated from manufacturer's data file, based on IES recommended methods.

LED Disclaimer

LED Life

ILUMINARC® rates LED lifetime based on lumen depreciation of 70% of the original output, with data provided by the manufacturer of the LED. Data from the manufacturer of the LED are not independently verified or measured by ILUMINARC®. When the product is operating in optimal environmental conditions, the LED lifetime is rated to be 50,000 to 70,000 hours by the LED manufacturer.

LED Binning

LED manufacturers sort LEDs into “bins”, based on variances in color, output intensity and the frequency at which the semiconductor operates. ILUMINARC® strives to hold its LED manufacturers to the highest standards of binning to optimize consistency in output from product to product. However, the availability of a single bin cannot be guaranteed. With that in mind, ILUMINARC® has developed a rigorous control system to seek the best achievable consistency in color and output.


Color Rendering Index (CRI)


CRI is an industry standard method to compare properties of different types of light sources. There are known limitations and inconsistencies related to CRI. Results may vary depending on the environmental factors involved. For this reason, the US Department of Energy (DOE) states that CRI should be considered as one point of reference among others in evaluating white LED products and systems.

The following is an excerpt of recommendations from the DOE:

1. Identify the visual tasks to be performed under the light source. If color fidelity under different light sources is critically important (for example, in a space where color or fabric comparisons are made under both daylight and electric lighting), CRI values may be a useful metric for rating LED products.
2. CRI may be compared only for light sources of equal CCT. This applies to all light sources, not only to LEDs. Also, differences in CRI values of less than five points are not significant, e.g., light sources with 80 and 84 CRI are essentially the same.
3. If color appearance is more important than color fidelity, do not exclude white light LEDs solely on the basis of relatively low CRI values. Some LED products with CRIs as low as 25 still produce visually pleasing white light.
4. Evaluate LED systems in person and, if possible, on-site when color fidelity or color appearance are important issues.

Source: DOE publication: PNNL-SA-56891, January 2008

 DO NOT write the RMA # directly on the box. Instead, write it on a properly affixed label.

 ILUMINARC® reserves the right to use its own discretion to repair or replace returned product(s).

 Always keep the original box and all packaging material as you will need those to ship the product back to ILUMINARC®

Returns Procedure

The user must send the merchandise prepaid, in the original box, and with its original packing and accessories. ILUMINARC® will not issue call tags.

Call ILUMINARC® and request a Return Merchandise Authorization Number (RMA #) before shipping the product. Be prepared to provide the model number, serial number, and a brief description of the cause for the return.

The user must clearly label the package with a Return Merchandise Authorization Number (RMA #). ILUMINARC® will refuse any product returned without an RMA #.

Once you receive the RMA #, please include the following information on a piece of paper inside the box:

- Your name
- Your address
- Your phone number
- The RMA #
- A brief description of the problem

Be sure to pack the product properly. Any shipping damage resulting from inadequate packaging will be the customer's responsibility. As a suggestion, proper FedEx packing or double-boxing is the shipping method ILUMINARC® recommends.

Contact Us

USA WORLD HEADQUARTERS

General Information – ILUMINARC

Address: 5200 NW 108th Avenue
Sunrise, FL 33351
Voice: (954) 923-3680
Fax: (800) 544-4898

Technical Support

Voice: (800) 762-1084
Email: support@iluminarc.com

World Wide Web www.iluminarc.com

EUROPE

General Information - Chauvet Europe BVBA

Address: Stokstraat 18
9770 Kruishoutem
Belgium
Voice: +32 9 388 93 97

Technical Support

Email: Eutech@chauvetlighting.eu

World Wide Web www.chauvetlighting.eu

General Information - Chauvet Europe Ltd.

Address: Unit 1C
Brookhill Road Industrial Estate
Pinxton, Nottingham, UK
NG16 6NT
Voice: +44 (0)1773 511115
Fax: +44 (0)1773 511110

Technical Support

Email: uktech@iluminarc.com

World Wide Web
www.chauvetlighting.co.uk

MEXICO

General Information - Chauvet Mexico

Address: Av. Santa Ana 30
Parque Industrial Lerma
Lerma, Mexico C.P. 52000
Voice: +52 (728) 285-5000

Technical Support

Email: servicio@iluminarc.com.mx

World Wide Web www.chauvet.com.mx

Outside the U.S., United Kingdom, Ireland, Mexico, or Benelux contact the dealer of record. Follow their instructions to request support or to return a product. Visit our website for contact details.

Technical Specifications

Dimensions and Weight	Diameter	Width	Height	Weight
	6.0 in (153 mm)	6.0 in (153 mm)	7.0 in (178 mm)	4.6 lb (2.0 kg)

Note: Dimensions in inches rounded to the nearest decimal digit.

Electrical	Power Supply Type	Range	Voltage Selection
	Switching (internal)	100 to 240 VAC, 50/60 Hz	Auto-ranging

Parameter	120 V, 60 Hz	230 V, 50 Hz
Consumption	12.2 W	11 W
Operating current	0.2 A	0.1 A

Power I/O	Input	Output
Connectors	Open Wire	N/A
Cord plug	N/A	N/A

Light Source	Type	Power	Lifespan
	LED	3 W	50,000 hours

Color	Quantity	Current
Tri-color (RGB)	3	1,050 mA

Photometric	Parameter	Standard 25° Optics
	Illuminance @ 5 m	69 lx
	Beam angle	18°
	Field angle	34°

Thermal	Max. External Temperature	Cooling System
	113 °F (45 °C)	Convection

DMX	I/O Connectors	Connector Type	Channel Range
	Open Wire	Hard-wired	1, 3, 4 or 7

Ordering	Illumipod Inground Tri-3 Optic 25 RGB
	11003001

