

General Specifications

FX100

GS 04L20A01-00E

OVERVIEW

FX100 displays real-time measurement data on TFT color LCD and saves the data in external media (3.5" FD or Flash memory card) or FTP server. It comes with a three, six or twelve-channel. As the input signal, a DC voltage, thermocouple, resistance temperature detector, or contact signal can be set to each channel.

Standard Specifications

Construction

- Dimensions: 144(W) × 144(H) × 234(D) mm
- Weight: FX1xx-0: 2.2 kg
FX1xx-1: 2.5 kg
FX1xx-4: 2.3 kg
- Front panel: Water and dust-proof (based on IEC529-IP65)

Inputs

- Number of inputs:
 - FX103: 3 channels
 - FX106: 6 channels
 - FX112: 12 channels
- Measurement interval:
 - FX103: 250 ms
 - FX106, FX112: 1 s/2 s
- Inputs: VDC (DC voltage), TC (thermocouple), RTD (resistance temperature detector), DI (digital input for event recording), DCA (DC current with external shunt resistor attached)



Input Ranges and Measuring Ranges

Input Type	Input Range	Measuring Range	
DCV	20 mV	-20.00 to 20.00 mV	
	60 mV	-60.00 to 60.00 mV	
	200 mV	-200.0 to 200.0 mV	
	2 V	-2.000 to 2.000 V	
	6 V	-6.000 to 6.000 V	
	20 V	-20.00 to 20.00 V	
	50 V	-50.00 to 50.00 V	
TC	R *1	0.0 to 1760.0°C	32 to 3200.0°F
	S *1	0.0 to 1760.0°C	32 to 3200.0°F
	B *1	0.0 to 1820.0°C	32 to 3308.0°F
	K *1	-200.0 to 1370.0°C	-328 to 2498.0°F
	E *1	-200.0 to 800.0°C	-328.0 to 1472.0°F
	J *1	-200.0 to 1100.0°C	-328.0 to 2012.0°F
	T *1	-200.0 to 400.0°C	-328.0 to 752.0°F
	N *1	0.0 to 1300.0°C	32 to 2372.0°F
	W *2	0.0 to 2315.0°C	-328.0 to 4199.0°F
	L *3	-200.0 to 900.0°C	-328.0 to 1652.0°F
	U *3	-200.0 to 400.0°C	-328.0 to 752.0°F
WRe*5	0.0 to 2400.0°C	32 to 4352.0°F	
RTD *5	Pt100 *4	-200.0 to 600.0°C	-328.0 to 1112.0°F
	JPt100 *4	-200.0 to 550.0°C	-328.0 to 1022.0°F
	Pt1000 (Option)*6	-200.0 to 600.0°C	-328.0 to 1112.0°F
DI	DCV Input	OFF: Less than 2.4 V, ON: More than 2.4 V	
	Contact Inputs	Contact Input ON/OFF	

*1: R, S, B, K, E, J, T, N: IEC584-1(1995), DIN IEC584, JIS C1602-1995
 *2: W: W-5% Re/W-26% Re (Hoskins Mfg. Co.), ASTM E988
 *3: L: Fe-CuNi, DIN43710, U: Cu-CuNi, DIN43710
 *4: Pt100: JIS C1604-1997, IEC751-1995, DIN IEC751-1996, JPt100: JIS C1604-1989, JIS C1606-1989, Measuring current: i=1 mA
 *5: WRe: W-5% Re/W-25% Re (Hoskins Mfg. Co.)
 *6: Measuring current: i=0.16 mA

Inputs terminal: Clamp terminals (clamp connector), detachable terminal connector
 Allowable wire size: 0.2 to 2.5 mm² (AWG24-12)
 Integral time of A/D converter:
 20 ms (50 Hz), 16.7 ms (60 Hz), 100 ms (50/60 Hz, for FX106 and FX112)
 AUTO selectable (automatic selection by detection of power supply frequency from 20 ms, 16.7 ms)
 Thermocouple Burnout:
 Burnout upscale/downscale function can be switched on/off (for each channel).
 Burnout upscale/downscale selectable
 Burnout condition:
 Normal: less than 2 k Ω
 Burnout: more than 100 k Ω
 Filter function:
 FX103: On/off selectable for each channel
 Time constant: selectable from 2, 5, and 10 seconds
 FX106, FX112: Moving average on/off selectable for each channel, moving average cycles 2 to 16 selectable
 Calculation: Differential computation, linear scaling, square root

Display

Display unit: 5.5-inch TFT color LCD (320 × 240 pixels)
 Waveform span rate:
 FX103: 15, 30 sec., 1, 2, 5, 10, 15, 20, 30 min., 1, 2, 4, 10 hours/div selectable
 FX106, FX112:
 1, 2, 5, 10, 15, 20, 30 min., 1, 2, 4, 10 hours/div selectable
 LCD back light saver function:
 Automatically dims if no key is touched for a certain preset time
 Timer setpoint:
 1, 2, 5, 10, 30 or 60 min
 Temperature unit:
 °C or °F selectable
 Language: English, French and German selectable

Data Saving Function

Internal memory:
 Flash memory (1.2M)
 External storage medium:
 Selectable from: 1) None
 2) 3.5-inch floppy disk (2HD, 1.44 MB)
 3) Compact flash memory card (32 to 512 MB)
 Saving method: Manual or automatic selectable
 Measurement data files:
 Display data and event data
 Data saving period:
 Display data file:
 Linked with the waveform span rate
 Event file: Linked with the specified sampling period
 Event File sampling period:
 FX103: Selectable from 250, 500 ms, and 1, 2, 5, 10, 30, 60, 120, 300, 600 s
 FX106, FX112:
 Selectable from 1, 2, 5, 10, 30, 60, 120, 300, and 600 s

Alarm Function

Number of alarm levels:
 Up to four levels for each channel
 Alarm types: High and low limits, differential high and low limits, high and low rate-of-change limits and delay high and low
 Interval time of rate-of-change alarms:
 The measurement interval times 1 to 15
 Display: The alarm status (type) is displayed in the digital value display area upon occurrence of an alarm. A common alarm indication is also displayed.
 The alarming behavior:
 Non-hold or hold-type can be selectable for common to all channels.
 Hysteresis: On (0.5% of display span) /off selectable (common to all channels and alarm levels)
 Outputs: Number of points: 2, 4, or 6 points (optional)
 Relay action: Energized/deenergized and hold/non-hold selectable.
 Memory: The times of alarm occurrences/recoveries, alarm types, etc. are stored in the memory. (Up to 120 latest alarm events are stored.)

Normal Operating Conditions

Ambient temperature:
 0 to 50°C (when using FDD: 0 to 40°C)
 Ambient humidity:
 20% to 80% RH (at 0 to 40°C)
 10% to 50% RH (at 40 to 50°C)
 Vibration: 10 to 60 Hz, 0.2 m/s² or less
 Shock: Not acceptable
 Magnetic field: 400 AT/m or less (DC and 50/60 Hz)
 Noise:
 Normal mode (50/60 Hz):
 VDC: The peak value including the signal must be less than 1.2 times the measuring range.
 TC: The peak value including the signal must be less than 1.2 times the measuring thermal electromotive force.
 RTD: 100 mV or less
 Common mode noise voltage (50/60 Hz):
 250 V AC rms or less for all ranges
 Maximum noise voltage between channels (50/60 Hz):
 250 V AC rms or less
 Warm-up time: At least 30 min after power on

Transport and Storage Conditions

Ambient temperature:
 -25°C to 60°C
 Humidity: 5% to 95% RH (No condensation is allowed)
 Vibration: 10 to 60 Hz, 4.9 m/s² maximum
 Shock: 392 m/s² maximum (while being packed)

Safety and EMC Standards

Safety standards:
 CSA22.2 No.1010-1, UL61010B-B (CSA NRTL/C)
 EN61010-1
 EMC standard:
 EN61326
 EN55011 Class A
 EN61000-3-2
 EN61000-3-3

Power Supply

Rated power supply:
 100 to 240 VAC (automatic switching)
 Allowable power supply voltage range:
 90 to 132 or 180 to 264 VAC
 Rated power supply frequency:
 50/60 Hz (automatic switching)
 Power consumption:

Supply voltage	LCD save mode	Normal	Max.
100 VAC	10 VA	14 VA	25 VA
240 VAC	18 VA	22 VA	35 VA

Insulation resistance:
 Each terminal to ground terminal:
 20 MV or greater (at 500 VDC)

Dielectric strength:

Power supply to ground terminal:
 2300 VAC (50/60 Hz), 1 min
 Contact output terminal to ground terminal:
 1600 VAC (50/60 Hz), 1 min
 Measuring input terminal to ground terminal:
 1500 VAC (50/60 Hz), 1 min
 Between measuring input terminals:
 1000 VAC (50/60 Hz), 1 min (except for b terminal of RTD input of non-isolated)
 Between remote control terminal to ground terminal:
 1000 VDC, 1 min
 Pulse input terminal to ground terminal:
 1000 VDC, 1 min

Standard Performance

Measuring and Recording Accuracy:

The following specifications apply to operation of the recorder under standard operation conditions.

Temperature: 23±2°C, Humidity : 55% ±10% RH, Power supply voltage : 90 to 132 or 180 to 250 VAC,
 Power supply frequency:
 50/60 Hz ±1%, Warm-up time : At least 30 min.

Other ambient conditions such as vibration should not adversely affect recorder operation.

Input Type	Range	Measurement accuracy (digital display)	Max. resolution of digital display
DC voltage (DCV)	20 mV	± (0.1% of rdg + 2digits)	10µV
	60 mV		10µV
	200 mV		100µV
	2 V		1 mV
	6 V		1 mV
	20 V		10 mV
	50V		10 mV
Thermocouple (TC)- Excluding the reference junction compensation accuracy)	R	±(0.15% of rdg + 1°C)	0.1°C
	S	However, R, S: ±3.7°C at 0 to 100°C, ±1.5°C at 100 to 300°C	
	B	B: ±2°C at 400 to 600°C (Accuracy at less than 400°C is not guaranteed.)	
	K	±(0.15% of rdg + 0.7°C) However, ±(0.15% of rdg + 1°C) at -200 to -100°C	
	E	±(0.15% of rdg + 0.5°C)	
	J	However,	
	T	±(0.15% of rdg + 0.7°C) at -200 to -100°C	
	N	±(0.15% of rdg + 0.7°C)	
	W	±(0.15% of rdg + 1°C)	
	L	±(0.15% of rdg + 0.5°C)	
	U	However, ±(0.15% of rdg + 0.7°C) at -200 to -100°C	
WRe	±(0.2% of rdg + 1.0°C)		
RTD	Pt100	±(0.15% of rdg + 0.3°C)	
	JPt100		
	Pt1000 (option)	±(0.2% of rdg + 0.4°C)	

Measurement accuracy in case of scaling (digits):
 = measurement accuracy (digits) \times scaling span (digits)/measurement span (digits) + 2 digits

Decimals are rounded off to the next highest number.

Reference junction compensation:
 INT (internal)/EXT (external) selectable (common for all channels)

Reference junction compensation accuracy (above 0°C, in balance of input terminal temperature: more than 60 minutes after application of power):
 Types R, S, B, W, WRe: $\pm 1.0^\circ\text{C}$
 Types K, J, E, T, N, L, U: $\pm 0.5^\circ\text{C}$

Note: Internal reference junction compensation accuracy for type B is fixed to 0 °C

Maximum allowable input voltage:
 ± 10 VDC (continuous) for less than 200mVDC ranges and TC, RTD, DI ranges
 ± 60 VDC (continuous) for except above ranges

Input resistance:
 Approximately 10 M Ω or more for DCV ranges of 200 mVDC or less and TC
 Approximately 1 M Ω for more than 2 VDC ranges

Input source resistance:
 VDC, TC: 2 k Ω or less
 RTD: 10 Ω or less per wire (The resistance of all three wires must be equal.)

RTD parallel capacity:
 0.01 μF or less

Input bias current:
 10 nA or less

Maximum common mode noise voltage:
 250 VAC rms (50/60 Hz)

Maximum noise voltage between channels:
 250 VAC rms (50/60 Hz)

Interference between channels:
 120 dB (the input source resistance: 500 Ω the inputs to other channels: 30 V)

Common mode rejection ratio:
 120 dB (50/60 Hz $\pm 0.1\%$, 500 Ω imbalance between the minus terminal and ground)

Normal mode rejection ratio:
 40 dB (50/60 Hz $\pm 0.1\%$)

Effects on Operating Conditions

Ambient temperature: With temperature variation of 10°C
 For VDC and TC range:
 $\pm(0.1\%$ of rdg + 1 digit) or less

For RTD inputs:
 $\pm(0.1\%$ of rdg + 2 digits) or less

Power supply: With variation within 90 to 132 V and 180 to 250 VAC (50/60 Hz):
 ± 1 digit or less

With variation of ± 2 Hz from rated power frequency (at 100 VAC): $\pm(0.1\%$ of rdg + 1 digit) or less

Magnetic field: AC (50/60 Hz) and DC 400 A/m fields:
 $\pm(0.1\%$ of rdg + 10 digits) or less

Input source resistance: With variation of +1 k Ω

(1) VDC range:

Ranges of 200 mV or less: within ± 10 μV

Ranges of 2 V or greater:
 approximately $\pm 0.1\%$ of rdg

(2) TC range: Within ± 10 μV (± 100 μV when the burnout upscale/downscale function is switched on)

(3) RTD range (Pt100):

With variation of 10 Ω per wire (resistance of all three wires must be equal): $\pm(0.1\%$ of rdg + 1 digit)

With maximum difference of 40 m Ω between wires:
 Approximately 0.1°C

Other Specifications

Clock: With calendar function (year of grace)
 The time can be adjusted by a remote contact (with the remote option).

Summer/winter time:
 Summer and wintertime can be set.

Accuracy of clock:
 ± 100 ppm, excluding a delay (of 1 second, maximum) caused each time the power is turned on.

Memory backup:
 A built-in lithium battery backs up the setup parameters (battery life: approximately ten years at room temperature).

Key lock function:
 ON/OFF and password can be set.

Log in function:
 Power on with log out mode and all key operations are not permitted.
 "User name", "User ID" and "password" are required to enter the operation mode.
 And key lock by password can be set to prevent to change settings.

■ SPECIFICATIONS OF OPTIONAL FUNCTIONS

Alarm Output Relays (/A1, /A2, /A3):

Outputs: Number of outputs: 2, 4, 6 points
An alarm signal is output from the rear panel as a relay contact signal.

Relay contact rating:
250 VDC/0.1 A (for resistance load) 250 VAC (50/60 Hz)/3 A

Terminal configuration:
SPDT (NO-C-NC). Energized-at-alarm/deenergized-at-alarm, AND/OR, and hold/non-hold actions are selectable.

Serial Communication Interface (/C2, /C3):

Allows the host computer to control and make settings for the recorder as well as receive data from the recorder.

Connection: EIA RS-232 (/C2) or RS-422-A/485 (/C3)

Protocols: YOKOGAWA private protocol, Modbus protocol

Synchronization method:
Start-stop asynchronous transmission

Connection method (RS-422-A/485):
4-wire half-duplex multi-drop connection (1: N where N = 1 to 32)

Transmission speed:
1200, 2400, 4800, 9600, 19200 or 38400 bps

Data length: 7 or 8 bits
Stop bit: 1 bit
Parity: Odd, even, or none

Communication distance (RS-422-A/485):
Up to 1.2 km

Communication mode:
ASCII for input/output for control and setting
ASCII or binary for output of measured data

Modbus communication:
Operation mode: RTU MASTER or RTU SLAVE

Ethernet Communication (/C7)

Connection: Ethernet (10BASE-T)

Protocols: SMTP, HTTP1.0, FTP, TCP, UDP, IP, ARP, ICMP

E-mail inform function:
Kinds of inform:
The following information can be informed by E-mail, selectable from inform/misinform for each group

Alarm inform:
Informs in occurring alarm/canceling alarm

System inform:
Informs in recovering power failure/informs the time of recovering, informs the rest of time before rewriting on Inside memory (manual save mode) informs the rest of amount in reaching 90% of media volume and media error (auto save mode)

Schedule time inform: Inform the moment value at a certain time or interval

Report inform: Inform report data in report timeup

Web server function:

Displays an image, alarm information, and moment values of FX screen by browser soft.
Enables message input from browser screen.

FTP client function:

File auto-transfer from FX (display data file, event file, report file, and snapshot)

FTP server function:

Manual-transfer of file in the outside media from host computer, directory operation, information of file elimination and of rest of amount of memory in media

Real time monitoring function:

Real time monitoring FX data by communication (Yokogawa private protocol)

Fail/Memory End Output (/F1):

The relay contact output in following cases

System Error: Relay output in occurrence of system alarm

Manual save mode:
Relay output before the specified time of overwriting inside memory
Selectable from 1, 2, 5, 10, 20, 50, or 100 hours

Auto save mode:
Relay output when the amount of memory media reaches 90%

Relay contact rating:
250 VDC/0.1 A (for resistance load) 250 VAC (50/60 Hz)/3 A

Mathematical Functions (/M1):

Displays and records computed data assigned to channels

Number of computed data assignable channels:
Up to 12 channels

Type of computation:
General arithmetic operations:
Four arithmetic operations, square root, absolute, common logarithm, exponential, power, relational operations (<, ≤, >, ≥, =, ≠), logic operations (AND, OR, NOT, XOR)

Statistical operations:
Average, maximum, minimum and summation

Long tern rolling average computation:
is performed on the results of computation

Constant: Available (Up to 30 constants)

Digital data input via communication:
Digital data via communication can be used in mathematical expression (Up to 12 data)

Remote status input:
Remote input status (0/1) can be used in mathematical expression (Up to 8 inputs)

Report functions:
Report type: Hourly, daily, hourly + daily, daily + weekly and daily + monthly

Type of computation:
Average, maximum, minimum and summation

Data format: ASCII

3 legs Isolated RTD Input (/N2):

A, B, b legs are of isolated input type.
/N2 can be specified only for FX106 and FX112.
A, B, b legs of FX103 is isolated as standard.

Pt1000 input (/N3):

Measuring ranges, measurement accuracy, and resolution of digital display:
See table of Input and standard performance.

Pulse input mathematic function (/PM1)

Number of inputs:
3 points (8 points are available in case of using remote inputs)
Max. sampling pulse period:
Max. 100 Hz
Minimum pulse length:
5 ms
Allowed input voltage:
30 VDC
Pulse measuring accuracy:
±1pulse (for instantaneous mode)
Measuring mode:
Instantaneous mode setting:
Pulse count during measuring period
Summation mode setting:
Pulse count summation by mathematical function (TLOG.SUM)

Remote Control (/R1):

Number of remote inputs: 8 points
This option allows the following eight functions to be controlled remotely by a contact input:

- Start/stop of memory (level)
- Trigger for event file (trigger, 250 ms or longer)
- Time adjustment (adjusting the time to a preset time upon contact signal, trigger, 250 ms or longer)
- Start/stop of computation (level)
- Reset of computation data (trigger, 250 ms or longer)
- Manual data sample (trigger, 250 ms or longer)
- Message display (Up to 8 different messages can be set, trigger, 250 ms or longer)
- Load of setting parameters *(Up to 3 settings can be set, trigger, and 250 ms or longer except for non-media model)
- Alarm acknowledgement (trigger, 250 ms or longer)
- Snapshot (trigger, 250 ms or longer)

*: Load of setting parameters is not be available for non-media model.

■ APPLICATION SOFTWARE**DAQSTANDARD**

Operating environment
OS: Microsoft Windows 98/Me/NT4.0/2000/XP
Basic function (packages):
Configuration software:
External memory medium: configuration of setup and set mode
Configuration via communication:
configuration of setup and set mode without communication configuration (ex. address)
Data viewer:
Numbers of display channels:
32 channels for each group, at most 30 groups
Display function:
Waveform display, digital display, circular display, list display, TLOG display, report display etc.
File connection display:
Connect data files that are divided by auto-save during measuring data or power failure (can connect up to total a million)
Section computation:
Max. value, Min. value, average value, effective value, p-p value
Data conversion:
File conversion to ASCII, Lotus 1-2-3 or MS-Excel format
Print out: Print out retrieved data

■ Model Code

Model	Suffix code	Optioncode	Description
FX103			FX100 (3ch)
FX106			FX100 (6ch)
FX112			FX100 (12ch)
External memory	-0		None
	-1		FDD (3.5 inch, 1.44MB)
	-4		Compact flash memory card (32MB)
Display Language	-2		English (German/French)
Option	/A1		Alarm output 2 points *1
	/A2		Alarm output 4 points *1
	/A3		Alarm output 6 points *1
	/C2		RS-232 communication interface (including Modbus master/slave protocol function) *2*3
	/C3		RS-422-A/485 communication interface (including Modbus master/slave protocol function) *2*3
	/C7		Ethernet (10BASE-T) communication interface
	/F1		FAIL/memory end output *4
	/M1		Mathematical function (with report function)
	/N2		3 legs isolated RTD
	/N3		Pt1000Ω input
	/PM1		Pulse input 3 points, control input 5 points (including Mathematical function) *5
/R1		Remote control 8 points	

- *1: /A1, /A2, /A3 cannot be specified together.
- *2: /C2, /C3 cannot be specified together.
- *3: In case that Modbus master function is utilized, /M1 or /PM1 must be specified.
- *4: If /F1 is specified, /A3 cannot be specified.
- *5: If /PM1 is specified, each /A3, /R1, /M1 cannot be specified.
- *5: If /PM1 is specified, /A2 and /F1 cannot be specified together.

■ Application Software

Model code	Description	OS
FXA100-01	DAQSTANDARD	Windows 98/Me/NT4.0/2000/XP

■ Standard Accessories

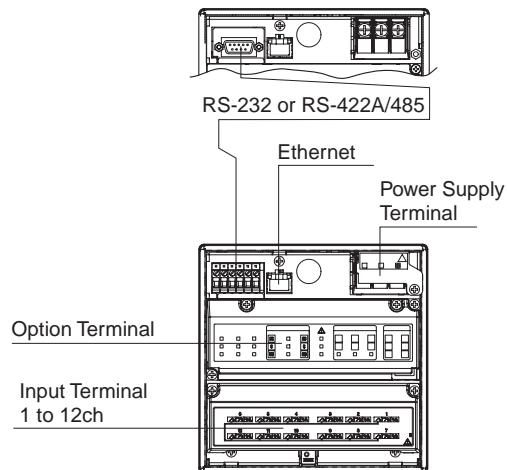
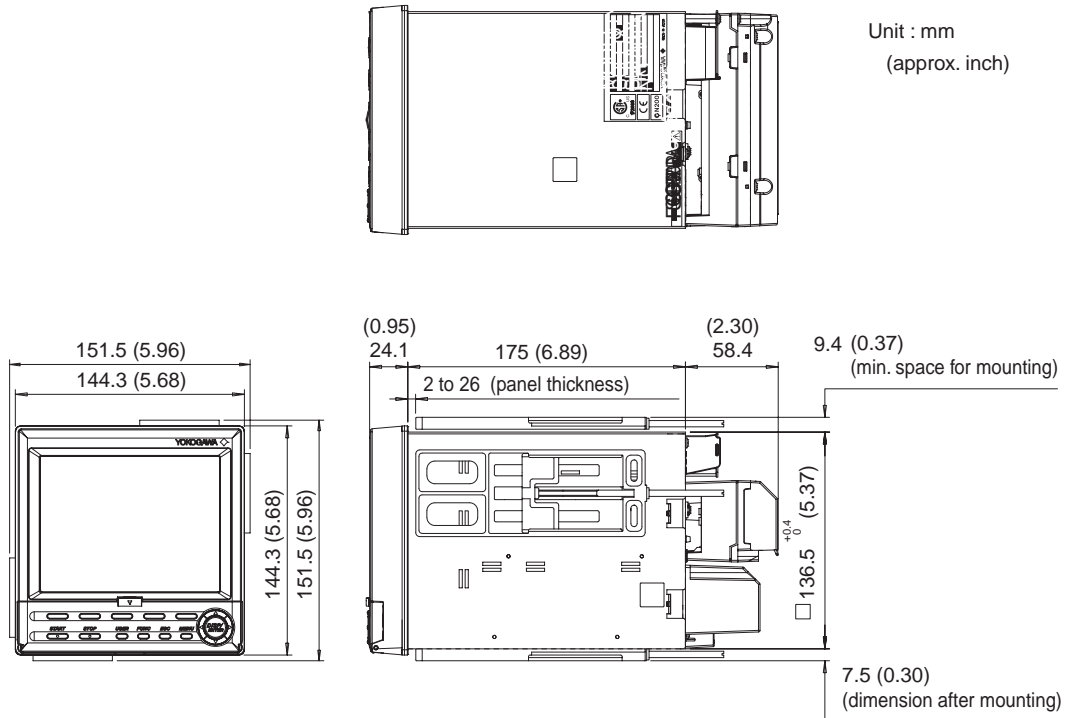
Product	Quantity
Mounting brackets	2 d
Terminal screw	3
Operation Manual	1
User's Manual, CD-ROM	1
DAQSTANDARD, CD-ROM	1 *1
CF card, 32 MB	1 *2

- *1: For a model with no communication port and no external memory, DAQSTANDARD is not attached.
- *2: Only for FX1xx-4 model

■ Optional Accessories

Product	Model	Specification
Shunt resistor (Clamp module)	4389 20	250Ω ± 0.1%
	4389 21	100Ω ± 0.1%
	4389 22	10Ω ± 0.1%
CF card	B9968NM	32 MB
	B9968NP	64 MB
	B9968NQ	128 MB
	B9968NR	256MB
	B9968NS	512MB
Mounting bracket	B9900BX	-

■ Dimensions



The TCP/IP software used in this product and the document for that TCP/IP software are based in part on BSD networking software, Release 1 licensed from The Regents of the University of California.

- Microsoft, MS and Windows are registered trademarks of Microsoft Corporation USA.
- Lotus and 1-2-3 are registered trademark of Lotus Development Corporation.
- Ethernet is a registered trademark of XEROX Corporation.
- Modbus is a registered trademark of AEG Schneider.
- Other company and/or product names are registered trade mark of their manufactures.