

Science & Technology protect your comfort life.

OPIZ

User Manual

Wireless Video Door Phone

OPIZ



OP—D04

www.opizcn.com
OPIZ ELECTRONICS CO.,LTD.

OPIZ tip

- Thank you for your kindly purchasing our product.
- Please carefully read this user manual before using the product and follow instructions exactly on how to install and use the product.

ATTENTION

1. This user manual is guidance for using and installing Wireless Video Door Phone.
2. Our company reserves the right to change or alert product and system without prior notice.
3. If there's any distinction between description and real product, please subject to the real product.
4. Please follow the right process to turn off. Do not remove battery when power-on or it is being charged, avoid any digital information loss. And install the Micro SD in right way, avoid broken.
5. Please visit www.opizcn.com for details.
6. This product with patent. OPIZ take OP-D04 all copyright and registered trademark.

SAFEGUARDS AND USAGE INTRODUCTION

Please carefully read this User Manual (in particular, precautions for safety) before using the product and follow the instructions to use your product exactly.

On using Door Phone, Power Adapter and other accessories

- . Please turn off the device where wireless video door phone using is forbidden (including airport, gas station, hospital, etc.)
- . Keep the indoor monitor and all accessories out of reach of children.
- . Keep the indoor monitor away from liquid, do not place the product where is air-wet.
- . Keep the indoor monitor away from fire, litten cigarette.
- . Do not paint or lacquer the products.
- . Do not drop, throw or bend the product.
- . Do not place the product together with any magnetic things, such as magnetic disc, credit card, and travel card. It may affect the information stored in those cards.
- . Do not put the product where temperature is above 70 C°.
- . Do not attempt to repair this product by yourself as opening or removing covers.
- . To avoid potential danger, please use the specified battery and power adapter.
- . Use wet or anti-static cloth instead of dry and static cloth to clean the product. Don't clean the product with chemical agent or stonewashed agent for these will damage the outside part of the product.
- . Never crush or squeeze LCD and camera, for they are fragile. Keep the product away from sharp things.
- . If there is any problem, please contact our tech support and customer service.

Inflammable and Explosive Area

- . When entering an inflammable and explosive area (gas stations), please turn off the device, and follow the warning signs or instructions.

Medical equipment

- . The device may interfere with medical equipment like Cardiac Pacemaker, hearing aid, etc. When answering, please keep the device at least 15cm away from Cardiac Pacemaker. If you are afraid of interference, please turn off the device immediately, and contact the manufacturer of the pacemaker for guidance. As to other medical equipment, please consult the manufacturers.

For children's safety

- . Keep the product and all accessories out of reach of children. Small parts may cause choking or serious injury if swallowed.

Disposal battery

- . Disposal battery cannot be disposed as ordinary waste. Please refer to local rules about the dispose of electronic products.

Usage of original accessories

- . Power adapter: connect the AC power with specified power adapter. Make sure the right place of wire. Assure it won't be damaged. Please unplug it when cleaning the device. Power adapter cannot be used outside or in wet condition. Do not change its wire or plug. Please unplug the charging cable after charging, and then disconnect the charger and AC. Do not cut off AC during charging, or it may shut off by itself.
- . Battery: First time or unused battery long time are recommended to be charged at least 12 hours, but within 24 hours. Charge the battery under moderate temperature (between -5C° to +45C°). Disconnect power adapter after charging. Unused battery can reach its best efficacy after discharging and being charged for many times. Only specifically designed power adapter is allowed. Avoid short circuit. Never dispose battery in fire, which may cause explosion.

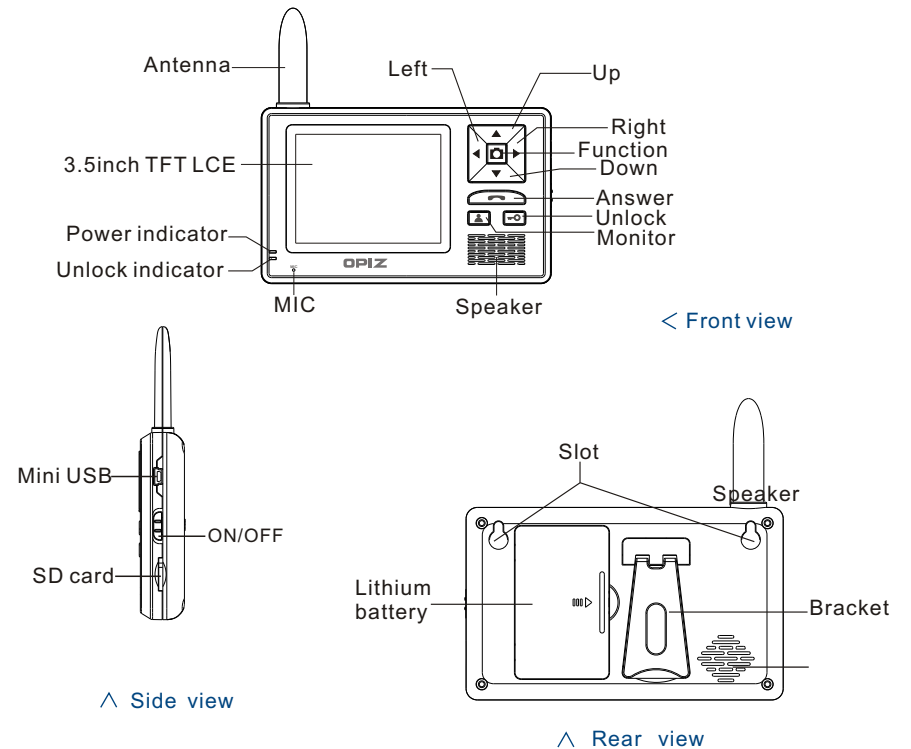
According to national standard GB2188-2007, the limiting value for Specific Absorption Rate (SAR) is 2.0W/kg for 10g random biotic tissues in random 6min. The SAR value of this product is lower than 2.0 W/kg. SAR value will change for many factors, so it is lower than the maximum value. Our tested SAR value is below 0.754W/kg.

CONTENTS

Before using	01-02
Indoor Monitor	04
Outdoor Camera	05
Basic operations	05-07
Menu functions descriptions	08-11
System connecting	12
Installation descriptions	12
Simple failure treatment	14
Appendix I	14
Appendix II	15
Appendix III	15

BEFORE USING

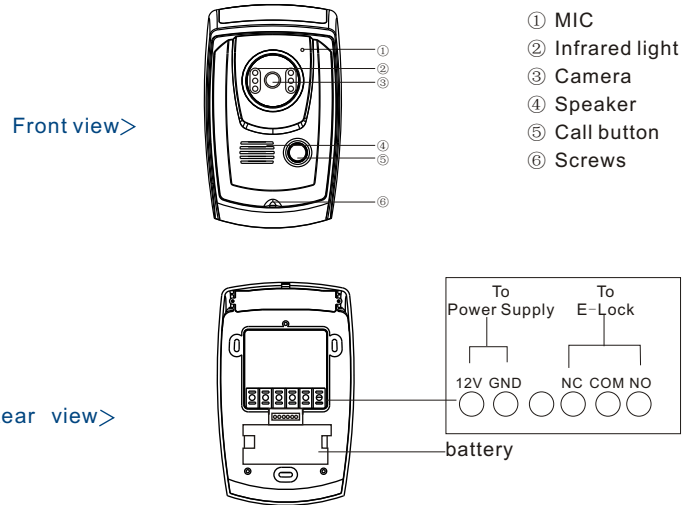
1. Indoor Monitor



Buttons descriptions:

- ▲ : In standby status, it use for entering calling other monitors status; at menu status, it use for choose the last menu; at talking and monitor status, it use for taking video.
- ▼ : At menu status, it use for choose the next menu, or cancel alarm; at talking and monitoring status, it use for taking image
- ◀ : Use for out off the menu (back to last menu) at the menu.
- ▶ : Use for move to right. In talking or monitoring status ,use for switching IR.
- ⏏ : In standby status, press it enter to menu status. In menu status, it is as a confirm button. In talking or monitoring status press to take photos.
- ☎ : Answer the call when the visitors press the call button in outdoor camera or as the confirmation button when you do ring.
- 🔓 : Unlock for the visitors in talk status, or monitoring.
- 👤 : Monitor outside in standby status.

2. Outdoor Camera



BASIC OPERATIONS

1. Power ON/OFF functions

- Press ON/OFF button when the indoor monitor is in off status, the screen will show "OPIZ" and create "Di" tones, then release the button. It is mean that the indoor monitor is entering into ON status.
- Press ON/OFF button when the indoor monitor is on status, the screen will show "Goodbye" and create "Di" tones, then release the button. It is mean that the indoor monitor is entering into OFF status.
- The outdoor camera have powered, you can judge the outdoor camera according to the "Di" tone. Like one "Di" tone mean that this camera is the first camera, two "Di" mean the outdoor camera is the second outdoor camera.

2. ID No. display of the indoor monitor

- When the indoor monitor is entering into ON status, the screen shows "1", it is mean that this is the No.1 indoor monitor.
- When the indoor monitor is entering into ON status, the screen shows "2", it is mean that this is the No. 2 indoor monitor.
- When the indoor monitor is entering into ON status, the screen shows "3", it is mean that this is the No. 3 indoor monitor.

3. Indoor monitor standby

The indoor monitor is in standby status will showing the "signal", "ID", "Power symbol", "Date", "MENU", "DEL". The red light shines one time per four seconds, as the power enough. If the power is low, the red light shines one time per one second. As this several seconds later, the screen will enter sleeping power-saving mode. If there is ringing record, the blue light shines one time per second. The blue light will be off after records being blue.

4. USB function

- When SD card inserts USB line under standby status, it will pop up the dialog box: "USB", "POWER".
- Using "▲▼" button to select 'POWER', at this time USB only for charge energy, the indoor monitor works normally.
- When select "USB", the indoor monitor can connect with computer. However, it can't read SD card on the indoor monitor, and maybe the indoor monitor can't work normally.

5. Monitor function

Step one: Under the standby status,

If only one outdoor camera: Any indoor monitor press "▲" button will enter the monitor status, blue light will on long time.

If two outdoor camera:

- Any indoor monitor, press "▲" button, enter monitor status;
- Use "▲▼" buttons choosing for the number of outdoor camera, "☑" button to confirm, at this, at this time the blue light will be on long time, press "◀" button to return to standby..

Step two:

If can receive the signal in five seconds, will successfully connected with outdoor camera (It default the indoor monitor with sound, and outdoor camera without), and then enter the normal monitor status If doesn't receive the signal in 5 seconds, then it will exit monitor and calling status of monitor and call automatically, and return the standby.

Step three:

Under monitor status, indoor monitor with sound, but outdoor camera without. Press "↔" button to switch one way or two way talking. (Single and double talking can exchange many times). Max talking time is 90 seconds.

Under the talking status, press the "☑" button can release the door. When opening the door, the screen of indoor monitor will show the opening.

Under the monitor status, press the "▲" button can end the monitor and return standby. After 90 seconds, end the communication, then enter to standby.

Step four:

Under talking status, if there is SD card,

Press the "☑" button, the pictures will store into the SD card;

Press the "▲" button, it will run the video, press again will end the video. The video also store in the SD card.

6. Outdoor camera call indoor monitor

Step one:

Under the standby, outdoor camera press "CALL" button enter the call status. Outdoor camera will ring. Indoor monitor also ring with pictures.

Step two:

- If the indoor monitor doesn't answer in 30 seconds, it will exit calling indoor monitor.
- If the indoor monitor receives signal from outdoor camera, the red light of indoor monitor will be on long time, and it will have ring and pictures on screen. The max calling is 30 seconds.

Step three:

- No one answer indoor monitor in 5 seconds; it will run video function automatically, (If the video set to manual. As call, it will video by manual.), will until limited time is up.
- If someone answer call in 30 seconds, it will end ring and enter the talking status. The red light of the indoor phone will be off, and the blue light will ON. And the max talking time is 90 seconds.
- If press the "▲" button, this time is signal talking, indoor monitor with voice, but outdoor monitor without. (single voice)
- If press "↔" button, both outdoor camera and indoor monitor have voice. (two-ways voice);

Step four:

Press "↔" button to unlock. If successful open, screen will show a lock open, and then enter in standby status

Step five:

when under double talking status. Press "↔" button to hang up, and there will be a sound "Di" then all system enter into standby status.

Step six:

when under calling, if no auto video, press "📷" button to take photos and store in the SD card

Step seven:

When under calling, if no auto video press "▲" button to take video, then press "▲" button to end videoing and store into the SD card.

Attention: If some one call from outdoor camera as the indoor monitor at talking status. The communication will be break off. And then received the ring from outdoor camera.

7. Indoor monitor call indoor monitor:

Step one:

- In standby status, press "▲" button choose to indoor monitor menu.
- Use "▲▼" button choose for indoor monitor' ID which you would like to call. Press "📷" button confirm. The red light will on in long time the calling status.

Step two:

- If no signal received in 4 seconds, will be no music from the main calling monitor and after a sound "Di" to exit the calling status to standby.
- If the calling signal are received, the two monitors will ring and the red lights will on long time.

Step three:

- If no answer from the monitor being called, it will back to standby status after 30 seconds
- If there is an answer from the monitor being called, the two monitors ring will stop, the red lights off and blue lights on, enter to the two-way talking status. The max talking time is 90 seconds.

Step four:

If press "↔" at any one of the monitors which are under talking, then both of these monitors will make a sound "Di" and enter to standby status.

Attention: If some one call from outdoor camera as the indoor monitor at talking status. The communication will be break off. And then received the ring from outdoor camera.

MENU

1. Menu function

- Press "📷" while standby the main menu showing "Video", "Photo", "Setting", "Code", "Call History", "Exit" six branch menu, and "EXIT" is to exit from the menu.
- Use "▲▼" for selecting branch menu, press "📷" to enter the relevant branch menu.
- The sub-menu of the branch menu
 - Video menu: "Play", "Delete", "Delete all" for option, press "📷" button enter the relevant branch menu.
 - Photo menu: "View", "Set as background", "Delete", "Delete all" for option, press "📷" button to enter the relevant branch menu.
 - Setting menu: "Tong setup", "Brightness", "Own ID number", "Auto control", "Flash setup", "Volume setup", "Date setup" for options. Press "📷" button to enter the relevant branch menu.
 - Code menu: "Go to", "Send", "Receive", "Clear" 4 for options, press "📷" button to enter the relevant branch menu.
 - Call history menu: Would see the call record, you can choose "Play" "Delete", or "Back"

Attention: Choose "Exit" will back to last menu.

2. Menu summary

1> Video

- Press "📷" button enter main menu.
- Use "▲▼" button for choosing, press "📷" button to enter the relevant branch menu
- If SD card isn't plugged in, it will show "No SD Card!" and back to menu. If SD card is plugged in but no video record, it will show "No File!" and back to menu. If SD card is plugged in and has video record, turn to next step.
- Use "▲▼" button for choosing, press "📷" button to video operate menu;
- Use "▲▼" button for choosing "Play" "Delete", "Delete All" menu, press "📷" button for confirming. When you are playing, press "▲" button to pause or continue. Press "📷" or "◀" button to exit. After you finishing the operation, press "◀" button or it will return to video operate menu automatically.
- Press "◀" button gradually to exit, and enter standby.

2> Photo

- Press "📷" button Menu
- Use "▲▼" buttons for choosing Photo, press "📷" button for confirming
- If SD card isn't plugged in, it will show "No SD Card!" and back to menu. If SD card is plugged in but no photo record, it will show "No File!" and back to menu. If SD card is plugged in and has photo record, turn to next step.
- Use "▲▼" buttons for choosing Photo, press "📷" button photo operate menu
- Use "▲▼" buttons for choosing "Play", "Set As Background", "Delete", or "Delete All" press "📷" button to enter. When you are viewing photos, press "▲" button to view the previous photo, and press "▼" button to view the next. Press "◀" button to exit. After you finishing the operation, press "◀" button to exit.

3> Call history

- Press "📷" button primary menu,
- Use "▲▼" buttons for choosing call history, press "📷" button video menu.

- c. Use “▲▼” button for choosing video line for operation, press “☐” button call in operation menu.
- d. Use “▲▼” button for choosing operate orders: 'PLAY', 'Delete', press “☐” button corresponding operation.
When choose 'PLAY', if no SD card will show 'NO VIDEO FILE!' then turn back to call in operation menu. During playing, press “☐” button to pause or continue playing. Operation is completed automatically or press the “◀” button to return the video operation menu.
- e. Press “◀” button exit the menu gradually then enter in standby.

Note: Turn off the power, all the call records will disappear, but the video file of the SD card will be remained (Video menu to view it)

4> Code

- (1) User code:
Details please refer to the “User code function” of “Operation Instruction”.
- (2) Clear code function:
Under the standby,
 - a. Press “☐” button primary menu,
 - b. Use “▲▼” buttons for choosing 'code', press “☐” button password menu,
 - c. Use “▲▼” buttons for choosing 'clear', press “☐” button clear code menu,
 - d. Use “▲▼” buttons for choosing 'clear' line (choose 'back' is quit), press “☐” button confirm the success of clearing code, then automatically return to the password menu.
 - e. Choose “◀” button exit the menu gradually then enter in standby.

5> Settings

- (1) Tone set up:
 - a. Press “☐” button primary menu,
 - b. Use “▲▼” buttons for choosing 'Settings', press “☐” button settings menu;
 - c. Use “▲▼” buttons for choosing 'Tone set up', press “☐” button music selections menu;
 - d. Use “▲▼” buttons for choosing e set list (totally 12 songs) “☐” button listening testing state;
 - e. Press “☐” button or press “◀” button to confirm the selected music is the current music (Ring tones), turn back to the music selections menu;
 - f. Press “◀” button to exit the menu gradually then enter in standby.

12 music as follows:

<< Love Romance>>, <<Beauty and the Beast>>, <<Memory>>, <<Titanic>>,
<< Love Music Box>>, <<Close to You>>, <<Green Sleeves>>, <<Whisper in utumn>>,
<<To Alice>>, <<Rhythm of the Rain>>, <<Blue Love>>, <<Romeo and Juliet>>

- (2) Brightness:
Brightness adjustment is divided into 5 (only in the menu can adjust the brightness).

- a. Use “☐” button for choosing primary menu;
- b. Use “▲▼” buttons for choosing 'Settings', press “☐” button settings menu;
- c. Use “▲▼” buttons for choosing 'brightness', press “☐” button brightness adjustment menu;
- d. Use “▲▼” buttons for choosing the level of the brightness (totally 5 levels) “☐” button confirm the level of the brightness then turn back to the settings menu;
- e. Press “◀” button to exit the menu gradually then enter in standby.

Attention: Adjust the maximum level and then press “▲” button is invalid; adjust the minimum level and then press “▼” button is invalid.

- (3) Own ID Number
 - a. Press “☐” button the primary menu,
 - b. Use “▲▼” buttons for choosing 'Settings', press “☐” button settings menu;
 - c. Use “▲▼” buttons for choosing 'Own ID Number', press “☐” button e ID settings menu;
 - d. Use “▲▼” buttons for choosing set up the ID Number “☐” button confirm and turn

back to the ID settings menu;
e. Press “◀” button to exit the menu gradually then enter in standby.

- (4) Auto-control
 - a. Press “☐” button primary menu,
 - b. Use “▲▼” buttons for choosing 'Settings', press “☐” button settings menu;
 - c. Use “▲▼” buttons for choosing 'Auto-control', press “☐” button video settings menu;
 - d. Use “▲▼” buttons to set up manual/auto video: 'Manual Video', 'Auto Video', then press “MENU” button to confirm and turn back to the video settings menu;
The default is auto video (with SD card), manual take picture.
 - e. Press “◀” button to exit the menu gradually then enter in standby.

- (5) Flash set up
 - a. Press “☐” button primary menu,
 - b. Use “▲▼” buttons for choosing 'Settings', press “☐” button settings menu;
 - c. Use “▲▼” buttons for choosing 'Flash set up', press “☐” button standby time settings menu;
 - d. Use “▲▼” buttons to change the standby time (10S~60S) “☐” button to confirm and turn back to the standby time settings menu;
 - e. Press “◀” button to exit the menu gradually then enter in standby.

- (6) Volume set up
 - a. Press “☐” button primary menu,
 - b. Use “▲▼” buttons for choosing 'Settings', press “☐” button settings menu;
 - c. Use “▲▼” buttons for choosing e 'Volume Set up', press “☐” button call volume settings menu;
 - d. Use “▲▼” buttons volume level (totally 8 levels) “☐” button to confirm and turn back to the call volume settings menu;
 - e. Press “◀” to exit the menu gradually then enter in standby mode.

Attention: Adjust the maximum volume and then press “▲” is invalid; adjust the minimum volume then press “▼” is invalid.

- (7) Date Set up
 - a. Press “☐” button primary menu,
 - b. Use “▲▼” buttons for choosing 'Settings', press “☐” button settings menu;
 - c. Use “▲▼” buttons for choosing 'Date Set up', press “☐” button date and time settings menu;
 - d. Use “▶” button date or time “▲▼” buttons increase or decrease the number “☐” button confirm and turn back to the date and time settings menu;
 - e. Press “◀” button to exit the menu gradually then enter in standby.

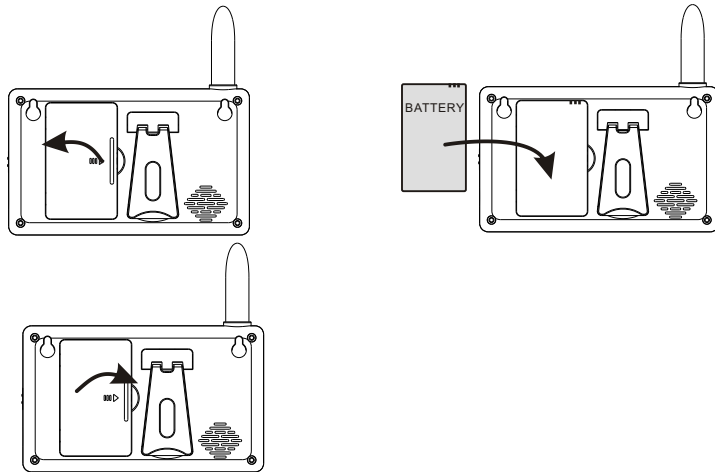
- (8) Change a passport
 - a. Press “☐” button.
 - b. Use “▲▼” buttons for choosing “Setting”, press “☐” button “Setting” menu.
 - c. Use “▲▼” buttons for choosing “security password”, press “☐” password changing menu. “Old password” is “0001”, and then input new password.
 - d. Choose a number by pressing “▶”, adjusting its size by pressing “▲▼” buttons. Then press “☐” button to confirm and exit.
 - e. Press “◀” button to exit gradually, and enter standby.

Tips: The password is from manufacturer, so please keep it safe. If you forget it, you have to return it back to factory to find it.

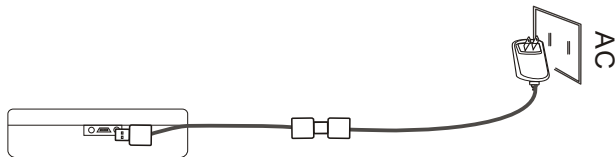
- 6> Code function
The code has been set already, so please don't change it until you have special needs.

INSTALLATION DESCRIPTIONS

1. Open the battery cover and put the battery inside, then cover it.

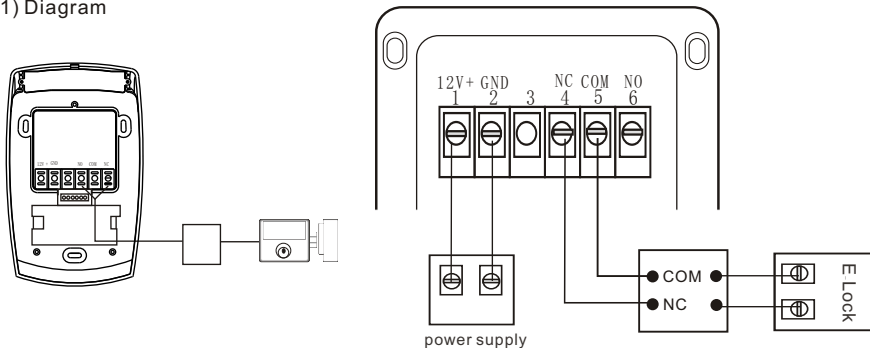


2. Use the USB to charge when the monitor is lack of power.

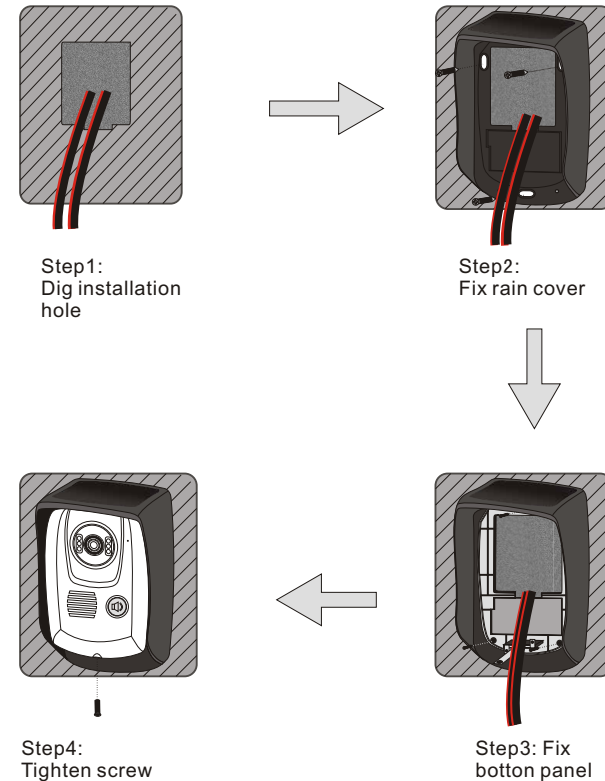


3. Outdoor camera connects with E-lock and power introduction.

(1) Diagram



(2) Installation



FAILURE DIAGNOSIS

- Fail to call. Whether indoor monitor is on
Whether outdoor camera is very far away from the indoor monitor
Whether there is wrong match between outdoor camera and indoor monitor
- Bad connection. Whether noise index is higher than 50dB
Whether outdoor camera is very far away from the indoor monitor
- Low volume in speaking state. Whether protective material is uncovered
Whether the volume is adjusted to be too low
- Close Alarm. When have alarm from camera and monitor.
First step: Fix the camera screw at the bottom well. At this time, still have alarm.
Second step: Press the unlock button to close the alarm.

APPENDICES

1. Technical data

a. Outdoor camera

Working frequency	2402~2483MHz
Transmission power	16-20dBm
Camera	1/4 inch COMS
Power adapter	1/4 " Input 100 V ~ 240 V Output 12 V / 1 A
Working current	300mA
Static current	≤30mA
Battery capacity	1350mA
Standby time	48hours
Color	Black
Dimension	176*108*58mm
Installation	surface mounted
N.W.	313g

b. Indoor monitor

Screen	3.5 inch TFT-LCD
Sensitivity	-90dBm
Standby Current	20-30mA/3.7V
Working Current	250mA
Battery Capacity	1350mah
Standby Time	120h
Dimension	102.5*66.5*18mm
NW	150g(package included)

c. Accessories

Battery	Item	Rechargeable Lithium battery
	Battery Capacity	1100mah
	Nominal voltage	3.7V
Power adapter for outdoor camera	Input	AC100V-240V
	Output	DC12V
Power adapter for indoor monitor	Input	AC100V-220V
	Output	DC5V

Packing list

Number	Items	Quantity	Number	Items	Quantity
1	Outdoor camera		6	USB line for Indoor monitor	
2	Indoor monitor		7	Memory card	
3	Power adapter for outdoor camera		8	User manual	
4	Power adapter for indoor monitor		9	Guarantee card	
5	Lithium battery		10	Inspect certificate	

The packing list is subject to final sale. Please consult distributor for detailed information.

Announcement for hazardous elements

Items	Hazardous elements					
	Plumbum (Pb)	Mercury (Hg)	Cadmium (Cd)	Chromium (Cr(VI))	Polybrominated Biphenyl (Pbb)	Polybrominated diphenyl ether (PBDE)
PCB and Accessories	○	○	○	○	○	○
Plastic	○	○	○	○	○	○
Metal	×	○	○	○	○	○
Battery	×	○	○	○	○	○
Others	×	○	○	○	○	○

○ :Hazardous element value is below SJ/11363-2006 standard
 × :Hazardous element value is beyond SJ/11363-2006 standard