

Warranty

To receive after-Sale service, have the following ready when you contact our branches

1. Name of the product
2. Model number of the product
3. The area of problem
4. Phone number and address at which you can be contacted.

Warranty Card

Product Name	
Model Name	
Purchase Date	
Terms of Warranty	
Selling Agent Name	
Selling Agent Address	

• KOCOM Warranties the original purchaser of this product as follows.

- 1) This product is produced under strict quality control and inspection procedures.
- 2) If this product breaks down during proper use as a result of product defect, KOCOM will repair it within one year from date of purchase free of charge.
- 3) The following cases will be subject to charge, even during warranty period:
 - a. Breakdown during transport, or through careless treatment, by consumer.
 - b. Breakdown cause by unauthorized repair, or system modification.
 - c. Breakdown caused by natural disaster or power disorder.

※ This manual is based on the date as shown in the right and specifications are subject to change without notice for quality improvement.

www.kocom.co.kr e-mail:export@kocom.co.kr

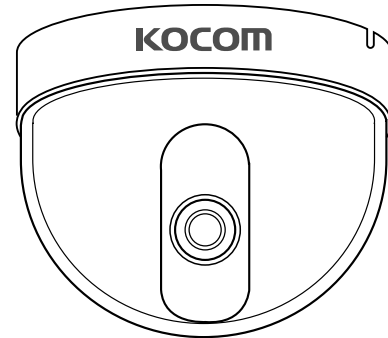
KCC-D400 03.07

KOCOM

User's Guide

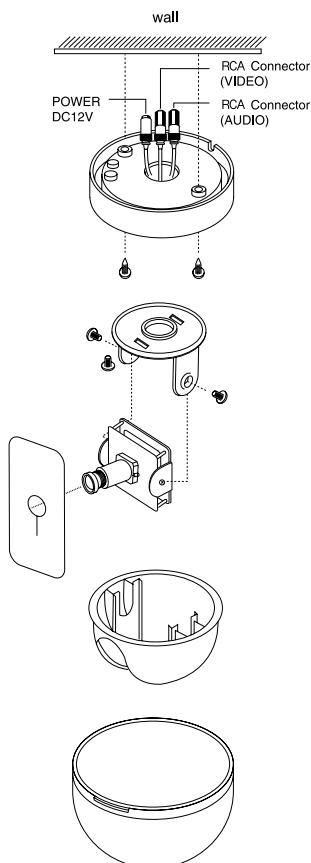
Mini Dome Color Camera

KCC-D400



KOCOM CO.,LTD.

Installation



1. Pull out power and video cables into installation place.
2. Attach mount angle on ceiling using screws.
3. Fix camera on mount angle by using screw lockup part on the bottom side of camera.
4. Set up-down and left-right angles of camera by unloosening screws. After setting camera angles, fix the camera by tightening up screws.
5. Put a dome cover.
6. Fix dome cover with cover ring. Please be careful for dome cover not to block camera lens.
7. After installing camera, connect it to monitor and test real images on monitor screen.

Precautions in Installation

1. Please pay great attention not to drop or give a strong impact to the camera when installing, because it is made up of very elaborate components for reproduce of clear image with high resolution.
2. Please avoid installing the camera at place on which sunlight directly shine lest camera lens be exposed to direct ray of sunlight.
3. Please avoid installing the camera at place shake or sway frequently takes place.
4. Do not forcibly pull out cables. It may cause snapping of cables.
5. Do not open the case of camera even when camera is out of order. Bring a camera to the nearest A/S center for repair.
6. Carefully install the camera to avoid water infiltration into it. In water infiltration, please bring the camera to the nearest A/S center or selling agent for repair.
7. Temperature at installation place shall be within the range specified in product specification.
8. When mechanical or functional troubles take place, first of all, cut off power supply and then bring the camera to the nearest A/S center. Continuous use even in troubles may cause more serious damages to the camera.
9. Before installing the camera, please check whether power supply is cut off and grounding is carried out.

Please check before A/S request

Trouble	Check Items
Monitor screen can't be turned on	<ul style="list-style-type: none"> • Check power connection is correctly made. (DC12V / 300mA Adapter supplies power). • Check wiring is correctly performed.
Images on monitor screen isn't clear and image quality isn't good	<ul style="list-style-type: none"> • Check lens focus is correctly set. • When a stained part is seen on monitor screen after installation, clean up lens focus part of dome camera with soft cloth to remove a stain.

※ Product design and specification subject to change or modification for product enhancement without notice in advance.

Product Features

1. Simple Components

This color dome camera is composed of single PCB on which various devices are intensified in a optimal state. It also has IRIS function built-in to adjust brightness automatically.

2. High Resolution and High Image Quality

This color dome camera has high resolution over 480TV lines (410,000pixels[N], 470,000pixels[P]) and thus realizes clearer images of high quality.

3. Compact Size and Sensitive Operation in Low Illumination

This color dome camera is miniaturized by optimally composing various devices and can detect a subject clearly and sensitively even in low illumination.

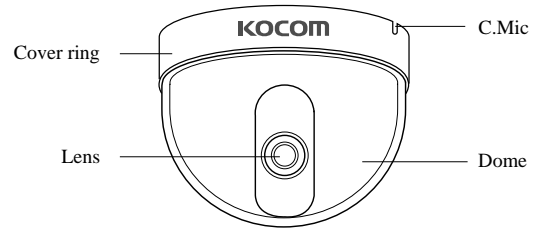
4. Backlight and Compensation Function

This color dome camera has backlight correction and enhancement function within itself. Through these functions, it removes blurring of images even in lighter places and thus realizes clearer images of a subject on screen.

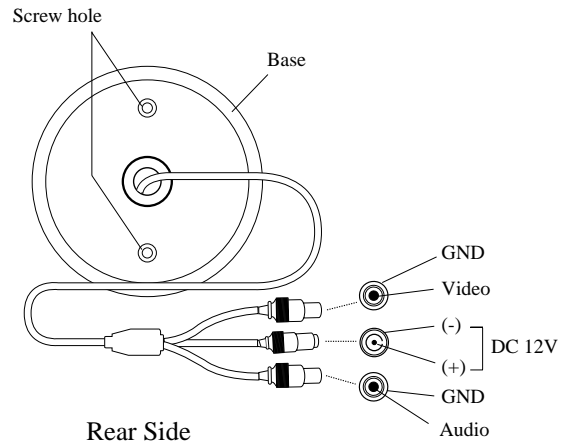
5. Graceful Dome-Type Design and Easy Control of Lens

Graceful dome-type exterior of this camera is well matched to any environments, which makes a difference from other cameras already marketed. Users can adjust lens angles freely for all directions (up-down and left-right) according to their own environment.

Name of Each Product Part

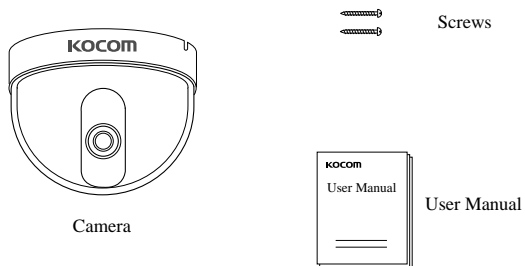


Front Side

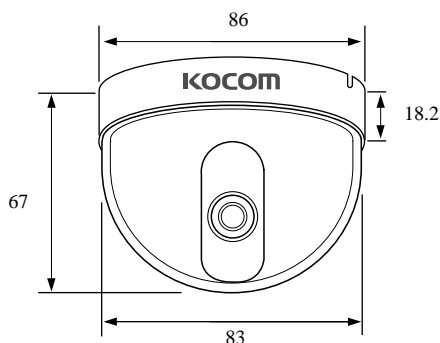


Rear Side

Components Included in Product Package



Elevation of Product / Front View of Product



unit : mm

Product Specification

Model No.	KCC-D400
Power Supply	DC 12V \pm 1V
Current(Input) Consumption	Max 1.5W(150mA)
Operation Temperature	-10° C~+50° C
Guaranteed	(recommended temperature;0° C~+40° C)
CCD (Charge-Coupled Device)	1/3", 410K pixels (N) 470K pixels (P)
Gamma Correction	0.45
Image Output Signal	VBS 1.0V p-p Composite 75 Ω
Minimum Illumination	0.3 Lux at F1.2 (30IRE)
Synchronous Method	Internal Synchronous Method
S/NRate	50dB
Resolution	480 TV Lines or over
White Balance	ATW / AWB
Lens	Fixed Focus Lens 92° / Focal Length 3.6mm F2.0
ESC	F2.01/60~1/120,000 Sec
Video Output Terminal	RCA Connector
Audio Output Terminal	RCA Connector
Power Input Terminal	ϕ 5.5 JACK
Angle of View (Diagonal View)	92°
Movable Angle (Up-Down)	0~90° (manual)
Weight	158g(excluding Adapter)
Dimension	ϕ 86(W) x 67mm(H)
Dome	ϕ 83

※ Product design and specification subject to change or modification for product enhancement without notice in advance.