



**HEAT & GLO™**

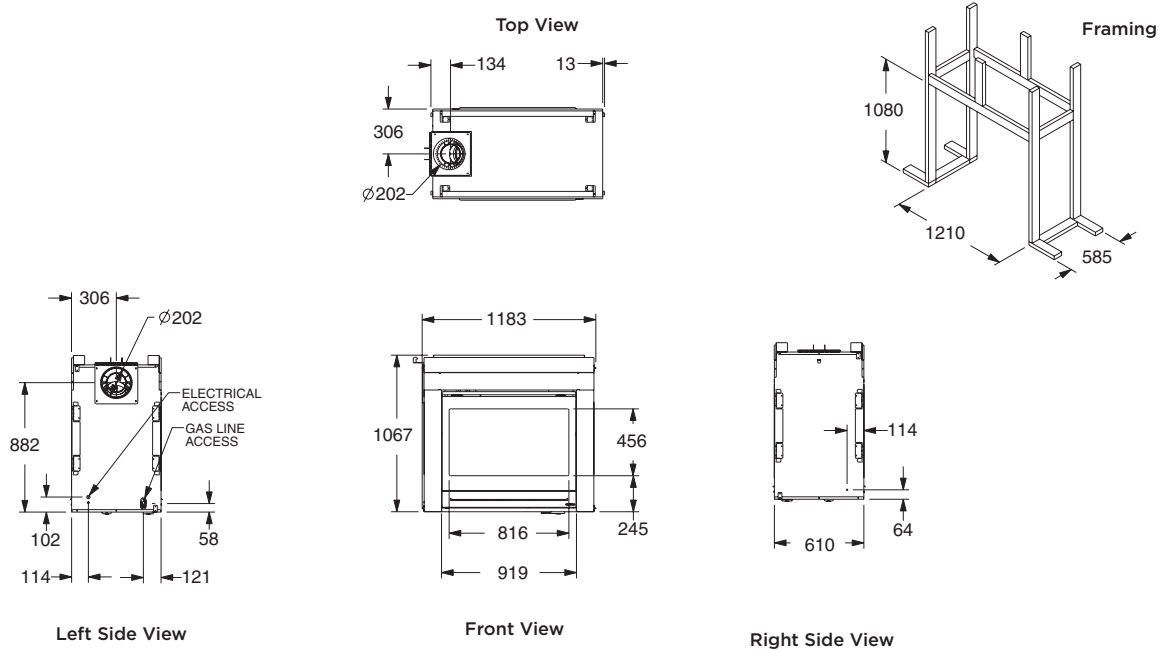
Where everything comes together



See Through  
Balanced Flue Gas Fireplace

## See Through Specifications

MODEL	HEIGHT		FRONT WIDTH		BACK WIDTH		DEPTH		VIEWING AREA	kWh INPUT
	Actual	Framing	Actual	Framing	Actual	Framing	Actual	Framing		
ST-HVB-CE	1067	1080	1183	1210	1183	1210	610	585	815 x 455	7.8-9.9



Dimensions above are in millimeters and for reference only. We recommend measuring individual units at installation. Assumes the use of 13mm gyprock.

Refer to installation manual for detailed specifications on installing this product. Heat & Glo reserves the right to update units periodically. The flame and ember appearance may vary based on the type of fuel burned and the venting configuration used. Photos in this brochure may vary in color and dimension [size] from the actual product.

## See Through Features

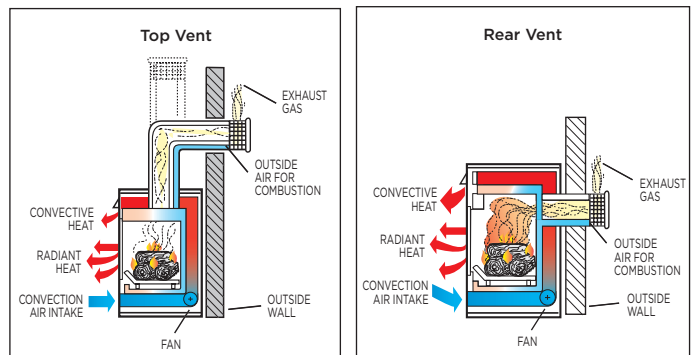
- Top or rear venting options provide installation flexibility
- Zero clearance provides ease of installation and cost savings
- Variable valve allows you to adjust the flame height and heat output
- Realistic ceramic fiber campfire style logs
- Enjoy the ambiance of a fire from two rooms
- Balanced flue technology provides a sealed combustion chamber, maintaining indoor air quality
- Energy saving 70% efficiency with the authenticity of a traditional fire
- Standard decorative front with mesh provides clean lines and safety
- Variable speed fan with auto on/off
- Optional wall switch, wall thermostat or remote control offers true convenience – never bend down again to start your fireplace
- 205mm top or rear venting
- CE certified

## Convenient Control Options

A variety of controls are available. Whether you choose a wall switch, remote control or programmable wall thermostat, you are sure to find the right balance of compatibility and convenience, providing you with total control, even in the event of a power outage.

## Balanced Flue Gas Fireplace

A completely sealed system, Heat & Glo balanced flue gas fireplaces draw 100% of combustion air from the outdoors and exhaust all combustion byproducts back outside, with no affect on indoor air quality. In addition, cold air drafts are eliminated and heat output is maximized. Also requires no electricity, power venting or fan to operate and eliminates the need for a conventional chimney, allowing for installation in nearly any room of the home. TR technology, another Heat & Glo invention, allows for venting off the top or rear, providing even greater placement flexibility.



**HEAT & GLO**

[www.heatnglo.com/products/global](http://www.heatnglo.com/products/global)