



QFP44 GAS FIREPLACE

QUADRA-FIRE[®]
NOTHING BURNS LIKE A QUAD



SPECIAL FEATURES

AUTHENTIC FIREPLACE DESIGN

Large realistic logs and a flaming coal bed look like you just stoked the fire, and the sloping firebox provides the appearance of a traditional open hearth.

LARGE BEAUTIFUL VIEW

With more than 1,400 square inches of ceramic glass, the QFP44 offers one of the largest fire views available, making it a center of attraction in any size room.

HIGH PERFORMANCE

Most families can heat their entire home thanks to the combination of advanced technologies, resulting in up to 80% thermal efficiency. A chambered heat exchanger generates high heat output, and a variable-speed blower system circulates the heat. Add one or two air ducts to move heat to additional rooms.



HEAT CONTROL

The two-stage burner provides a wide turn-down range, from a roaring 70,000 Btu/Hour Input to a softly glowing 13,500 Btu/Hour Input. A thermostatic remote provides convenient control at the touch of a button.



Iron Gate



Citadel

DOORS AND ANDIRONS

Hand-crafted heavy iron fronts are available in your choice of full-view or cabinet style. Each frames the expansive glass and awesome view into the blazing fire, creating an authentic hearth presence worthy of the grandest of rooms. Hand-forged andirons accentuate the realism by completing the traditional fireplace look.



QFP44 with Citadel front

BIG BOLD BEAUTIFUL

Combining a large, beautiful view, the convenience of gas, and highly efficient heating performance, the QFP44 gas fireplace offers the best of all worlds. Make a stunning statement with a big, bold design in any room, no matter how large the area or how tall the ceiling. The QFP44 provides an incredible fire view with more than 1400 sq. in. of ceramic glass. The realistic looking ceramic logs are cast from actual firewood, giving the QFP44 the look and feel of a roaring wood burning fire. A front flaming coal bed creates the impression that you've just stoked the fire. Add hand-forged andirons and heavy hand-crafted doors and you have a fireplace that is as authentic-appearing as a fireplace gets.



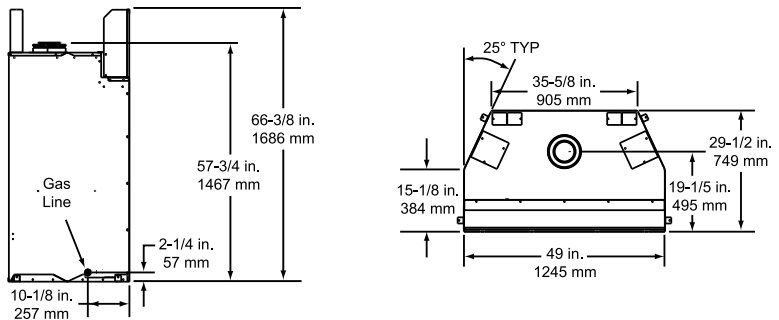


QFP44 with Iron Gate front

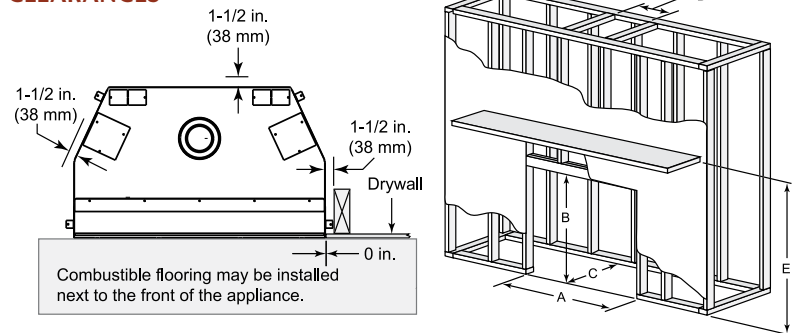
QFP44 GAS FIREPLACE



DIMENSIONS



CLEARANCES



A Rough Opening (width)	B Rough Opening (height)	C Rough Opening (depth)	D Rough Opening (DVP pipe)	E Minimum Mantel Height (from the floor)	
				non-comb	combustible
52"	66-5/8"	31"	10"	53"	66"
1321mm	1692mm	787mm	254mm	1346mm	1676mm

The QFP44 is the largest furnace-rated, single-sided, gas fireplace in the market. With its powerful two-stage burner, a high-efficiency chambered heat exchanger and a multi-speed fan that blows out 200 CFM of heat, the QFP44 delivers enough heat to comfortably warm most homes.

Standard Features

- High-efficiency direct vent firebox
- AFUE furnace rated
- Up to 80% thermal efficiency
- High efficiency chambered heat exchanger
- LP conversion kit included
- Optimal heat control from 13,500 to 70,000 Btu/Hour Input (NG)
- Powerful two-stage burner
- Authentic fireplace brick interior
- Powerful variable speed 200 CFM blower
- Standing pilot with battery ignition
- Ceramic logs and coal bed
- Extremely large view—1,400 square inches of ceramic glass
- Multi-function thermostat remote control
- Mesh safety screen
- Hand-forged andirons

Options

- Heat-Zone kit
- Wall thermostat for back up heat
- Choice of custom fireplace doors

Cover: QFP44 with Iron Gate front

QUADRA-FIRE

NOTHING BURNS LIKE A QUAD

1445 North Highway, Colville, WA 99114
www.quadrafire.com • 800-926-4356

QDF-1036U-0208

TECHNICAL

Btu/Hour Input..... 13,500-70,000 (NG), 14,500-67,000 (LP)
Shipping Weight.....830 lbs.

Quadra-Fire offers a Limited Lifetime Warranty on our gas heating appliances to the original purchaser for the lifetime of the appliance, to be free from defects in material and workmanship. For full warranty details go to www.quadrafire.com.



Refer to the Owner's Manual for complete clearance requirements and specifications. The images and descriptions in this brochure are provided to assist you in product selection only. Actual product appearance, including flame, may differ from product images.

Heating capacity and efficiency may differ due to climate, building construction and condition, amount and quality of insulation, location of the fireplace, type of fuel used and air movement in the home. Btu/Hour Input will vary, depending on the type of fuel used. Fireplace requires standard maintenance in accordance with the Owner's Manual.

Quadra-Fire is a registered trademark of Hearth & Home Technologies. Product specifications and pricing subject to change without notice.

Available From: