

Single Roll Film Wrapping Station



Models: 177WM18

09/2015

Please read and keep these instructions. Indoor use only.

Important Safeguards Save These Instructions

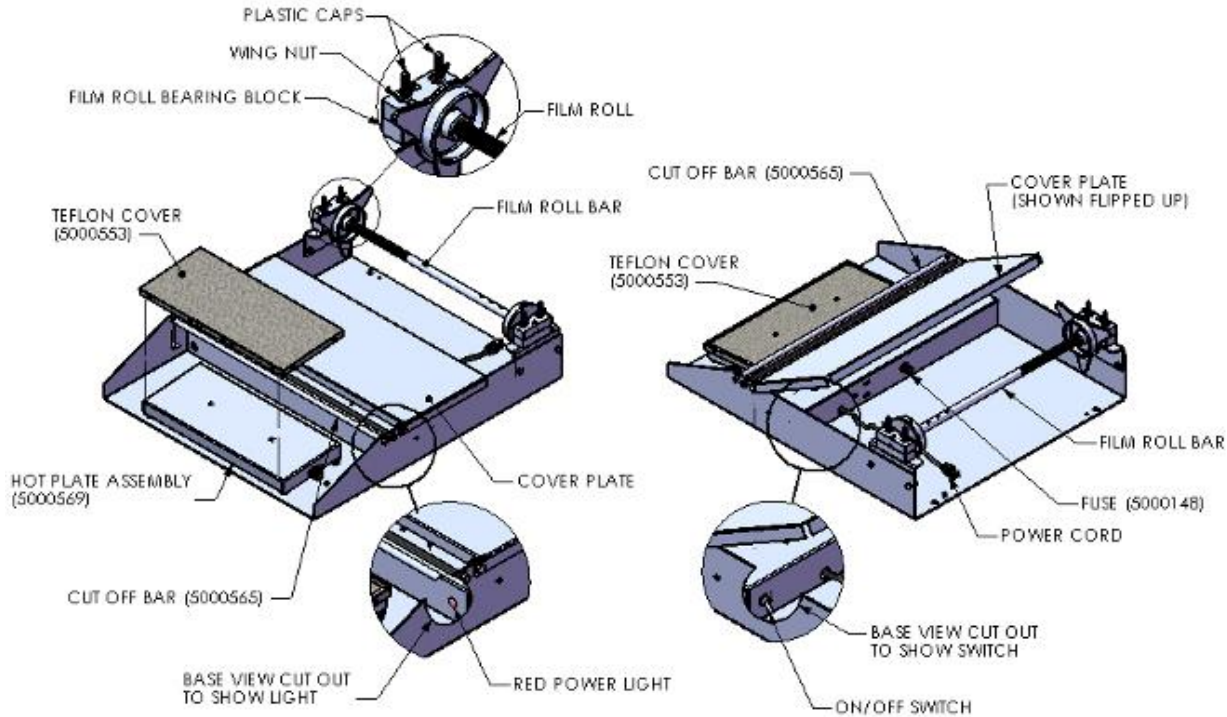
When using electrical appliances, basic safety should always be followed:

1. Read all instructions before operating, cleaning or servicing this wrapping station.
2. To protect against risk of electrical shock, do not place cord, plug or base in water or other liquids.
3. Do not use outdoors.
4. Close supervision is necessary when any appliance is used near children.
5. The wrapping station must be placed on a steady table.
6. Unplug the wrapping station when not in use and before cleaning or servicing.
7. Avoid contact with moving parts.
8. Do not operate wrapping station if it has malfunctioned or has been dropped or damaged. Call our toll-free customer support service number for information or examination of a faulty unit that may require repair or an adjustment.
9. Do not operate wrapping station if power cord or plug shows evidence of damage.
10. Do not operate if Hot Plate or Cut Off Bar temperatures exceed 340°F, or if smoke is detected.
11. Be aware of power cord location. Do not let cord rest on or touch hot surfaces. Do not allow cord to hang freely over table or counter.
12. Keep body parts and clothing away from heating elements.
13. Do not touch or operate switches or cords with wet hands.
14. Do not place or store combustibles on or near the wrapping station.
15. Insure that the plug has good ground connection.
16. When unplugging wrapping station, pull on the plug. Do not pull on the cord.
17. This wrapping station was designed for commercial use only.

Caution

- Hot Surfaces - Avoid Contact!
- To provide continued protection against electric shock, connect only to properly grounded outlets.
- Do not attempt to repair or replace any parts other than the replacement parts listed in these instructions. Improper repair or replacement may result in electrical hazards.
- Do not attempt to repair or replace any parts other than the replacement parts listed in these instructions. Improper repair or replacement may result in electrical hazards and will void the warranty.

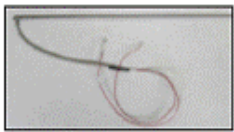
Wrapping Station 177WM18



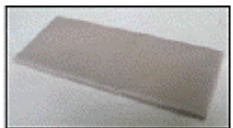
Replacement Parts



5000148 FUSE



5000565 CUT OFF BAR ASSEMBLY



5000553 TEFLON COVER



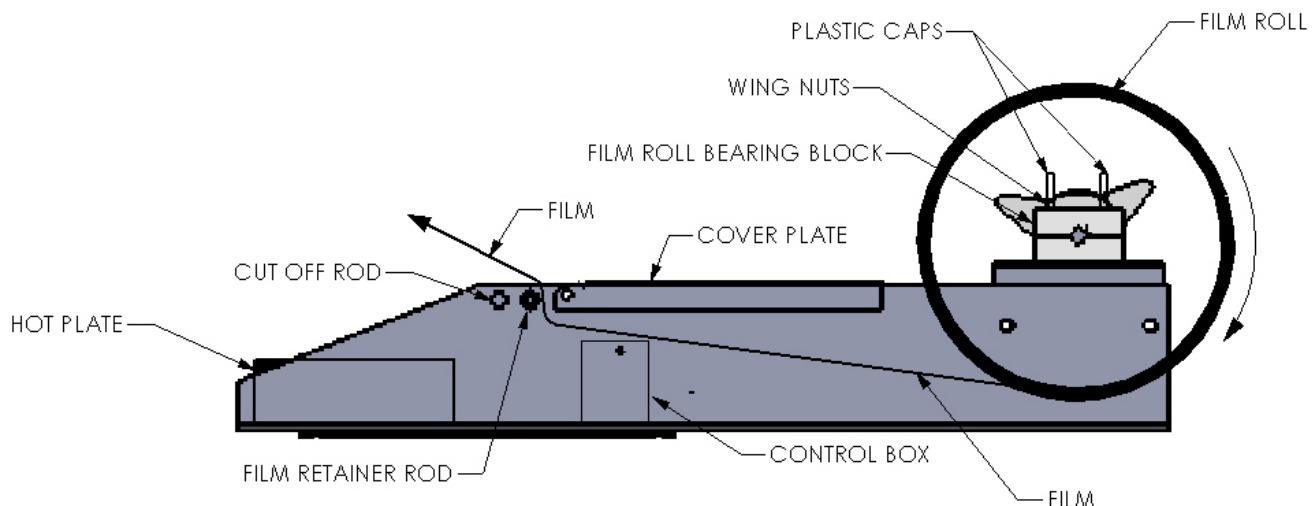
5000569 HOT PLATE ASSEMBLY

Operating Instructions

This appliance is designed for wrapping fruits, vegetables, fish, meat, cold food, etc.

1. To load film, place film roll onto film roll bearing blocks, tighten the wing nuts and put the plastic caps onto threaded ends.
2. Flip cover plate upward.
3. Route the film between cover plate and film retainer rod. (See Film Loading Diagram)
4. Insert the power cord plug into a properly grounded outlet.
5. Turn the main switch on and the red indicator lamp will light up.
6. Turn the thermostat to set the desired temperature.
7. Allow 5-10 minutes for the unit to pre-heat.
8. Place food onto the cover plate.
9. Draw out film and cover food.
10. Use the Cut Off Bar to cut film.
11. Flip cover plate with food onto hot plate.
12. Allow 3-5 seconds for food to be completely sealed.

Film Loading Diagram



Cleaning The Unit

- Unplug the wrapping station before cleaning and/or servicing.
- When Cut Off Bar and/or hot plate becomes dirty, clean with a cotton cloth. Do not use metal or other abrasives. Do not immerse the wrapping station in water or other liquids.
- Do not spray cleaners or liquids onto any electrical components.



STRIKE
Cleaner/Degreaser

Attack tough grease, oil, and carbon with this ready-to-use cleaner and degreaser. Its unique formula is designed to clean concrete, machinery, engines, floors, walls and more!

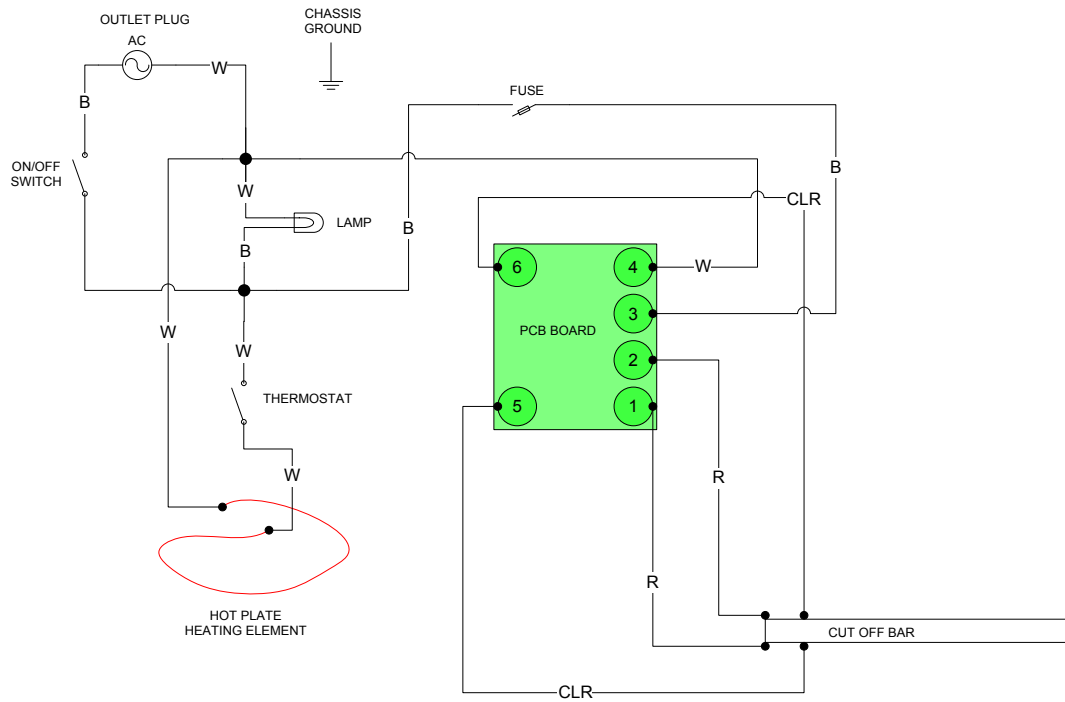
Servicing The Unit

- This wrapping station should only be serviced by trained personnel.
- Unplug the wrapping station before servicing.
- Do not attempt to repair or replace any parts other than the replacement parts listed in these instructions. Improper repair or replacement may result in electrical hazards and will void the warranty.

Fuse Replacement

1. Unplug the wrapping station before servicing.
2. Situate the wrapping station on a stable surface so that the back of wrapping station is accessible.
3. Turn the fuse holder cap counterclockwise to loosen until it is released from the fuse holder receptacle.
The fuse will be attached to the cap.
4. Remove the fuse from the fuse holder cap by pulling gently.
5. Replace fuse with only type 6D-1 amp fuse (part# 5000148).
6. Insert new fuse into fuse holder cap.
7. Insert fuse holder cap with fuse into the fuse cap receptacle.
8. Turn the fuse holder cap clockwise to tighten until it is hand tight.
9. Situate the wrapping station into normal operating position on a stable surface.
10. Plug the wrapping station into a properly grounded outlet

Wiring Diagram



Technical Specifications

- Power: 115VAC 60HZ 750W
- Max Temperature: 340°F/171°C
- Hot Bar (Knife) power: 100W
- Unit Dimensions: 25.9" x 22.5" x 4.7"

Limited Warranty

All equipment which is sold under Avantco trademark and used for commercial purpose is warranted against defects in materials and workmanship. The warranty runs for 6 months from the date of original installation and is for the benefit of the original purchaser only. All other Warranties, Expressed or Implied, Statutory or Otherwise, including Without Limitation any implied Warranty of Merchantability or Fitness for Purposes are excluded. The Seller shall in no event be liable for direct, indirect or consequential damages in connection with Avantco commercial products.

This warranty is not effective if damage occurs as a result of an accident, carelessness, improper installation, lack of proper setup, lack of supervision when required or if the equipment is installed or operated in any manner contrary to the installation and operation instructions. Work performed by unauthorized personnel or unauthorized service agencies voids this Warranty.

This warranty does not apply to, and Avantco is not responsible for, any warranty claims made on products sold or used outside of the United States.