

OPERATION AND PARTS MANUAL



MAYCO SERIES MODEL C30HDZ BALL VALVE CONCRETE PUMP (DEUTZ F2L1011F DIESEL ENGINE)

Revision #12 (04/03/12)

To find the latest revision of this
publication, visit our website at:
www.multiquip.com



THIS MANUAL MUST ACCOMPANY THE EQUIPMENT AT ALL TIMES.



CALIFORNIA — Proposition 65 Warning

Diesel engine exhaust and some of its constituents are known to the State of California to cause cancer, birth defects and other reproductive harm.

WARNING



SILICOSIS WARNING

Grinding/cutting/drilling of masonry, concrete, metal and other materials with silica in their composition may give off dust or mists containing crystalline silica. Silica is a basic component of sand, quartz, brick clay, granite and numerous other minerals and rocks. Repeated and/or substantial inhalation of airborne crystalline silica can cause serious or fatal respiratory diseases, including silicosis. In addition, California and some other authorities have listed respirable crystalline silica as a substance known to cause cancer. When cutting such materials, always follow the respiratory precautions mentioned above.

WARNING



RESPIRATORY HAZARDS

Grinding/cutting/drilling of masonry, concrete, metal and other materials can generate dust, mists and fumes containing chemicals known to cause serious or fatal injury or illness, such as respiratory disease, cancer, birth defects or other reproductive harm. If you are unfamiliar with the risks associated with the particular process and/or material being cut or the composition of the tool being used, review the material safety data sheet and/or consult your employer, the material manufacturer/supplier, governmental agencies such as OSHA and NIOSH and other sources on hazardous materials. California and some other authorities, for instance, have published lists of substances known to cause cancer, reproductive toxicity, or other harmful effects.

Control dust, mist and fumes at the source where possible. In this regard use good work practices and follow the recommendations of the manufacturers or suppliers, OSHA/NIOSH, and occupational and trade associations. Water should be used for dust suppression when wet cutting is feasible. When the hazards from inhalation of dust, mists and fumes cannot be eliminated, the operator and any bystanders should always wear a respirator approved by NIOSH/MSHA for the materials being used.

TABLE OF CONTENTS

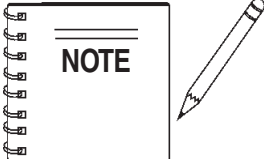
MAYCO C30HDZ CONCRETE PUMP

Proposition 65 Warning 2
Silicosis Warning 3
Table of Contents 4
Parts Ordering Procedures 5
Pump Specifications 6
Engine Specifications 6
Pump Dimensions 7
Safety Message Alert Symbols 8-9
Rules for Safe Operation 10-12
Towing Guidelines 14-15
Trailer Safety Guidelines 16-18
Operation And Safety Decals 20
Important Hand Signals 21
Pump Components 22-23
Control Box Components 24
Engine Components 25
General Information 26
How it Works 27-28
Operating Information 29-33
Inspection 34-35
Startup/Shutdown Procedures 36
Maintenance (Pump) 37-46
Engine Troubleshooting 47-48
Wiring Diagram 50
Wiring Diagram (Trailer Lights) 51
Appendix —
 Slump Test Procedure 52
 Concrete Mix Information 53-55
 Recommended Shotcrete System 56-57
 Recommended Shotcrete Accessories 58-59
Explanation of Codes in Remarks Column 60
Suggested Spare Parts 61

COMPONENT DRAWINGS

Nameplate and Decals 62-63
Compensator Piston Rod Assembly 64-65
Connecting Rod - Drive Side Assembly 66-67
Rocker Assembly 68-69
Countershaft Assembly 70-71
Crankshaft Assembly 72-73
Manifold Assembly 74-75
Frame Assembly 76-77
Axle Assembly 78-79
Muffler, Air Filter and Stop Switch Assembly 80-81
Clutch Assy 82-83
Engine Mounting 84-85
Throttle Assembly 86-87
Control Box Mounting Bracket Assembly 88-89
Control Box Assembly 90-91
Battery Assembly 92-93
Fuel Tank Assembly 94-95
Hopper Assy 96-97
Hood Assembly 98-99
Lubrication Panel Assembly 100-101
Remote Control Cable Assembly 102-103

Terms and Conditions Of Sale — Parts 104
Mayco Pump Warranty 105



Specification and part number are subject to change without notice.

PARTS ORDERING PROCEDURES

Ordering parts has never been easier! Choose from three easy options:

Effective:
January 1st, 2006

www.multiquip.com



Order via Internet (Dealers Only):

Order parts on-line using Multiquip's SmartEquip website!

- View Parts Diagrams
- Order Parts
- Print Specification Information



If you have an MQ Account, to obtain a Username and Password, E-mail us at: parts@multiquip.com.

To obtain an MQ Account, contact your District Sales Manager for more information.

Goto www.multiquip.com and click on

Order Parts to log in and save!

Use the **internet** and qualify for a **5% Discount** on *Standard orders* for all orders which include complete part numbers.*

Note: Discounts Are Subject To Change



Order via Fax (Dealers Only):

All customers are welcome to order parts via Fax.

Domestic (US) Customers dial:

1-800-6-PARTS-7 (800-672-7877)

Fax your order in and qualify for a **2% Discount** on *Standard orders* for all orders which include complete part numbers.*

Note: Discounts Are Subject To Change



Order via Phone: Domestic (US) Dealers Call:
1-800-427-1244

Non-Dealer Customers:

Contact your local Multiquip Dealer for parts or call 800-427-1244 for help in locating a dealer near you.



International Customers should contact their local Multiquip Representatives for Parts Ordering information.

When ordering parts, please supply:

- | | |
|---|--|
| <input type="checkbox"/> Dealer Account Number | <input type="checkbox"/> Specify Preferred Method of Shipment: |
| <input type="checkbox"/> Dealer Name and Address | <input checked="" type="checkbox"/> UPS/Fed Ex <input checked="" type="checkbox"/> DHL |
| <input type="checkbox"/> Shipping Address (if different than billing address) | <input type="checkbox"/> Priority One <input checked="" type="checkbox"/> Truck |
| <input type="checkbox"/> Return Fax Number | <input type="checkbox"/> Ground |
| <input type="checkbox"/> Applicable Model Number | <input type="checkbox"/> Next Day |
| <input type="checkbox"/> Quantity, Part Number and Description of Each Part | <input type="checkbox"/> Second/Third Day |

NOTICE

All orders are treated as *Standard Orders* and will ship the same day if received prior to 3PM PST.

WE ACCEPT ALL MAJOR CREDIT CARDS!



PUMP SPECIFICATIONS

Table 1. C-30HDZ Pump Specifications

| | |
|---|-----------------------------------|
| Pump Type | Reciprocating Piston |
| Pumping Rate | Up to 25 cu. yds. per hour* |
| Vertical Pumping Height | Up to 150 ft. (45.73 m) |
| Horizontal Pumping Distance | 400 - 500 ft. (122 - 152 m)* |
| Max. Concrete Piston Face Pressure | 500 PSI |
| Maximum Aggregate Size | 1/2 in. minus (12.7 mm) |
| Hopper Capacity | 6 cu. ft. etc. |
| Material Hose | 2" or 2-1/2" (50.8 or 63.5 mm) |
| Weight | 2,950 lbs. (1,338 Kg) |
| Lube oil Box | 7 Gallons (26.5 Liters) |
| Remote Control | 125 ft. cable Standard |
| Tire Size | 7.35" x 14" (187 x 356 mm) |
| * Volume output will vary depending on mix design, slump, line size used and job site conditions. | |

TABLE 2. ENGINE SPECIFICATIONS

| Model | DEUTZ F2L1011F ENGINE |
|---------------------------------|--|
| Type | Air/Oil-Cooled, Direct Injected, 4 Cycle Diesel w/ Integrated Cooling System |
| Bore X Stroke | 3.6 x 4.1 in. (91 x 104 mm) |
| Compression Ratio | 19.0 : 1 |
| Cylinders | 2 |
| Displacement | 41.7 cu. in. (0.68 L) |
| Intermittent Output | 27 H.P. @ 2750 R.P.M. |
| Maximum Torque | 59 lbs. per ft. @ 2550 R.P.M. |
| Fuel Tank Capacity | Approx. 11 U.S. Gallons (43 L) |
| Fuel Type | No. 2 Diesel |
| Fuel Consumption at Max. Rating | 1.7 gal. per hour (6.5 L per hour) |
| Fuel Consumption at Max. Torque | 1.1 gal. per hour (4.2 L per hour) |
| Lube Oil Capacity | 6.34 qt. (6.5 L) |
| Minimum Idle Speed | 900 RPMs |
| Air Cleaner | Dry Type |
| Starting Method | Electric Start |
| Dimensions (LxWxH) | 19.0 x 18.0 x 27.0 in. (483 x 457 x 686 mm) |
| Weight | 367.4 lbs. (167 kg) |

PUMP DIMENSIONS

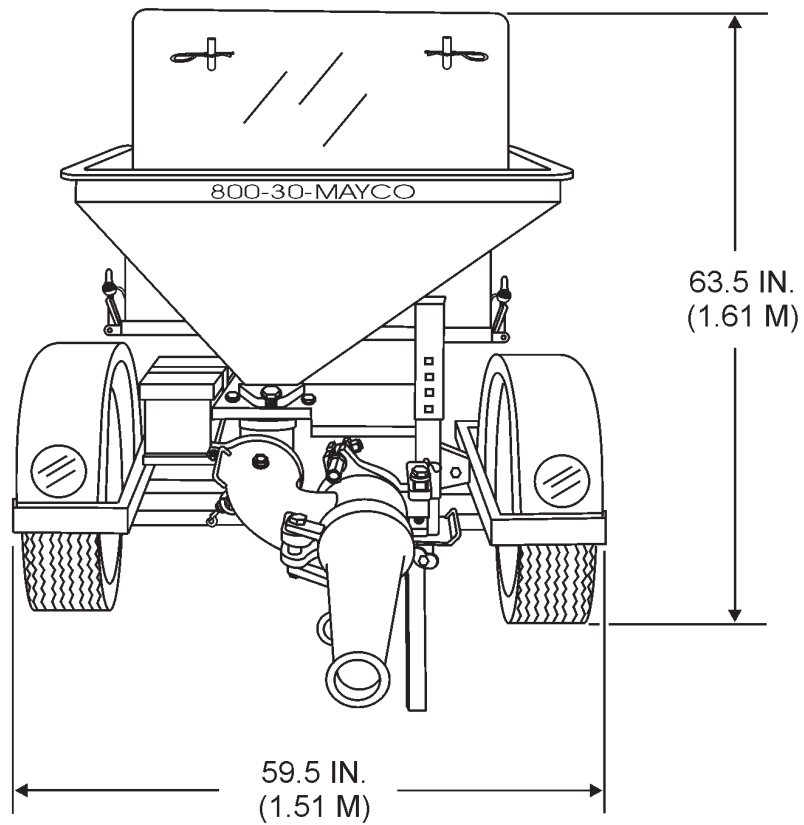
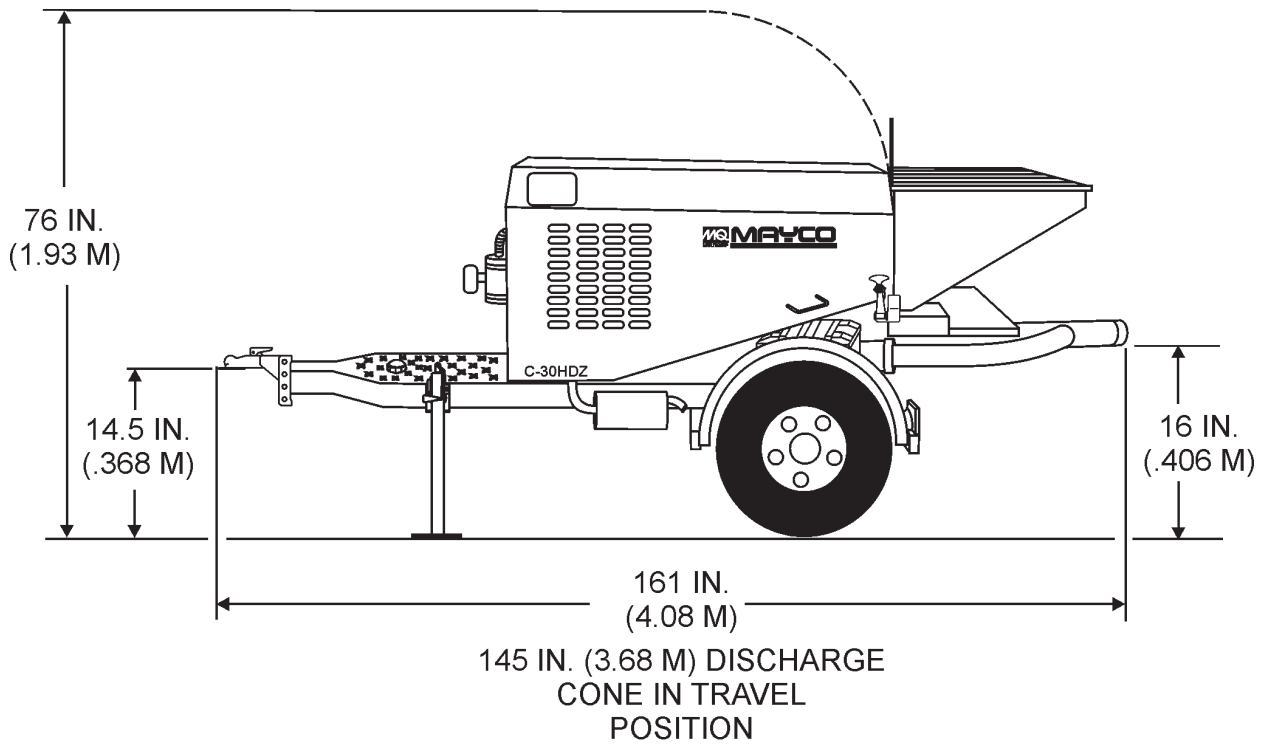
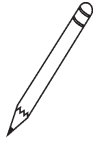


Figure 1. C30HDZ Concrete Pump Dimensions

SAFETY MESSAGE ALERT SYMBOLS

FOR YOUR SAFETY AND THE SAFETY OF OTHERS!

Safety precautions should be followed at all times when operating this equipment. Failure to read and understand the Safety Messages and Operating Instructions could result in injury to yourself and others.



This Owner's Manual has been developed to provide complete instructions for the safe and efficient operation of the Mayco Model C30HDZ Concrete Pump.

Refer to the engine manufacturers instructions for data relative to its safe operation.

Before using this pump, ensure that the operating individual has read and understands all instructions in this manual.

SAFETY MESSAGE ALERT SYMBOLS

The three (3) Safety Messages shown below will inform you about potential hazards that could injure you or others. The Safety Messages specifically address the level of exposure to the operator, and are preceded by one of three words: **DANGER**, **WARNING**, or **CAUTION**.

DANGER

You **WILL** be **KILLED** or **SERIOUSLY** injured if you do not follow directions.

WARNING

You **COULD** be **KILLED** or **SERIOUSLY** injured if you do not follow directions.

CAUTION

You **CAN** be injured if you do not follow directions

HAZARD SYMBOLS

Potential hazards associated with operation of the pump will be referenced with Hazard Symbols which appear throughout this manual, and will be referenced in conjunction with Safety Message Alert Symbols. Some examples are listed below:

WARNING - LETHAL EXHAUST GASES



Gasoline engine exhaust gases contain poisonous carbon monoxide. This gas is colorless and odorless, and can cause death if inhaled. **NEVER** operate this equipment in a confined area or enclosed structure that does not provide ample free flow air.

WARNING - EXPLOSIVE FUEL



Gasoline is extremely flammable, and its vapors can cause an explosion if ignited. **DO NOT** start the engine near spilled fuel or combustible fluids. **DO NOT** fill the fuel tank while the engine is running or hot.

DO NOT overfill tank, since spilled fuel could ignite if it comes into contact with hot engine parts or sparks from the ignition system. Store fuel in approved containers, in well-ventilated areas and away from sparks and flames. **NEVER** use fuel as a cleaning agent.

WARNING - BURN HAZARDS



Engine components can generate extreme heat. To prevent burns, **DO NOT** touch these areas while the engine is running or immediately after operations. **NEVER** operate the engine with heat shields or heat guards removed.

SAFETY MESSAGE ALERT SYMBOLS

WARNING - ROTATING PARTS



NEVER operate equipment with covers, or guards removed. Keep **fingers, hands, hair** and clothing away from all moving parts to prevent injury.

CAUTION - RESPIRATORY HAZARDS



ALWAYS wear approved **respiratory** protection.

CAUTION - ACCIDENTAL STARTING



ALWAYS place the **Engine ON/OFF** switch in the **OFF** position and remove the ignition key when the pump is not in use.

CAUTION - SIGHT AND HEARING HAZARDS



ALWAYS wear approved **eye** and **hearing** protection.

CAUTION - OVER-SPEED CONDITIONS



NEVER tamper with the factory settings of the engine governor or settings. Personal injury and damage to the engine or equipment can result if operating in speed ranges above maximum allowable.

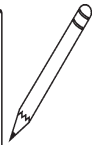
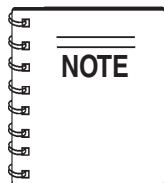
CAUTION - EQUIPMENT DAMAGE MESSAGES

Other important messages are provided throughout this manual to help prevent damage to your concrete pump, other property, or the surrounding environment.

WARNING

DO NOT operate at pressures exceeding the rating of the entire material delivery system.

Use snap pins on all snap couplings.



This **pump**, other property, or the surrounding environment could be damaged if you do not follow instructions.

RULES FOR SAFE OPERATION

DANGER - Read This Manual!

Failure to follow instructions in this manual may lead to serious injury or even death! This equipment is to be operated by trained and qualified personnel only! This equipment is for industrial use only.

The following safety guidelines should always be used when operating the Mayco C30HDZ Concrete Pump:

General Safety

- **DO NOT** operate or service this equipment before reading this entire manual.
- **ALWAYS** read, understand, and follow procedures in Operator's Manual before attempting to operate equipment.
- **ALWAYS** be sure the operator is familiar with proper safety precautions and operations techniques before using pump
- This equipment should not be operated by persons under 18 years of age.
- **ALWAYS** read, understand and follow procedures in Operator's Manual before attempting to operate equipment.
- **ALWAYS** be sure the operator is familiar with proper safety precautions and operations techniques before using pump
- **NEVER** operate this equipment without proper protective clothing, shatterproof glasses, steel-toed boots and other protective devices required by the job.



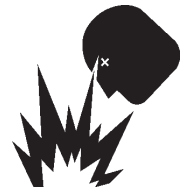
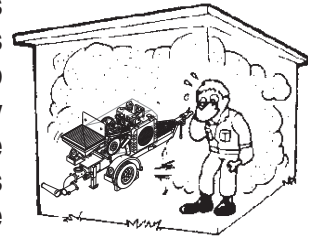
- **NEVER** operate this equipment when not feeling well due to fatigue, illness or taking medicine.
- **NEVER** operate this equipment under the influence of **drugs** or **alcohol**.



- **ALWAYS** wear proper respiratory (mask), hearing and eye protection equipment when operating the concrete pump.



- Whenever necessary, replace nameplate, operation and safety decals when they become difficult read.
- Manufacture does not assume responsibility for any accident due to equipment modifications.
- **NEVER** use accessories or attachments, which are not recommended by Multiquip for this equipment. Damage to the equipment and/or injury to user may result.
- **NEVER** touch the hot exhaust manifold, muffler or cylinder. Allow these parts to cool before servicing engine or concrete pump.
- **High Temperatures** – Allow the engine to cool before adding fuel or performing service and maintenance functions. Contact with **hot!** components can cause serious burns.
- The engine section of this concrete pump requires an adequate free flow of cooling air. **NEVER** operate the concrete pump in any enclosed or narrow area where free flow of the air is restricted. If the air flow is restricted it will cause serious damage to the concrete pump or engine and may cause injury to people. Remember the concrete pump's engine gives off **DEADLY** carbon monoxide gas.
- **ALWAYS** refuel in a well-ventilated area, away from sparks and open flames.
- **ALWAYS** use extreme caution when working with **flammable** liquids. When refueling, **stop the engine** and allow it to cool. **DO NOT smoke** around or near the machine. Fire or explosion could result from fuel vapors, or if fuel is spilled on a hot engine.
- **NEVER** operate the concrete pump in an explosive atmosphere or near combustible materials. An explosion or fire could result causing severe **bodily harm or even death**.
- Topping-off to filler port is dangerous, as it tends to spill fuel.
- Stop the engine when leaving the concrete pump unattended.
- **DO NOT** leave the pump unattended. Use chock blocks if parking pump on a grade.
- Maintain this equipment in a safe operating condition at all times.



RULES FOR SAFE OPERATION

- **CAUTION** must always be observed while servicing this pump. Rotating parts can cause injury if contacted.
- **ALWAYS** stored the pump in a clean, dry location out of the reach of children.
- **ALWAYS** use extreme care when operating near obstructions, on slippery surfaces, grades and side slopes.
- Unauthorized equipment modifications will void all warranties.
- Refer to the *Engine Owner's Manual* for engine technical questions or information.
- Before start-up, check the hopper and remove all obstructions.
- Keep all hands out of the hopper when the engine is running.
- **DO NOT** operate the pump with the hood open.
- Replace any worn or damaged pump components immediately.
- **ALWAYS** turn the engine **OFF** before performing must be before performing maintenance.
- **ALWAYS** make sure pump is correctly secured to the trailer. Check all supports attaching the pump to the trailer and make sure they are tight.
- **ALWAYS** make sure that the pump's trailer is placed on solid level ground so that it cannot slide or shift around, endangering workers. Place blocks under the trailer's bumper to make it level (prevents tipping), and use a chocked block underneath the wheels to prevent rolling. Also keep the immediate area free of bystanders.
- Before towing, check the hitch and secure the safety chain to the towing vehicle. Also check for proper tire pressure.
- Tow only with a vehicle and hitch rated to tow a 2,950 lbs. (1,338 Kg) load.
- If pump is equipped with ball hitch coupler, use only a 2" all steel ball rated for a minimum of 5000 lbs. Use a 1" hardened steel pull pin, if the pump is equipped with a pin hitch.
- **ALWAYS** check the machine for loosened threads or bolts before starting.
- A copy of this manual shall accompany the pump at all times.
- **DO NOT** use worn out hoses or couplings; inspect daily.
- **DO NOT** disconnect the hose couplings or nozzle while they are under pressure. Relieve the pressure by manually swinging the clamp arm latch handle to the first open position at the exhaust cone outlet.
- The pump should **NEVER** be towed in excess of 45 MPH (or less depending on road conditions).
- If hose lines are **blocked** for any reason, or if the lines are **kinked** when starting up or during pumping cycle, the pump pressure could straighten out the kink or force out the blockage. This rapid surge of material could cause the lines to **move or whip** in a manner that could cause injury to personnel.
- Inspect the hose lines at all times
- **DO NOT** tow the pump with the hopper full of material.
- **DO NOT** tow the pump with the hoses attached.
- **NEVER** disconnect any **emergency or safety devices**. These devices are intended for operator safety. Disconnection of these devices can cause severe injury, bodily harm or even death! Disconnection of any of these devices will void all warranties.
- **ALWAYS** make sure the delivery system used, pipe hose, clamps etc., exceed the rated pressure of the pump. In addition, the pumping system should be checked for worn components prior to start up. Use snap pins on all snap couplings.

RULES FOR SAFE OPERATION

Maintenance Safety

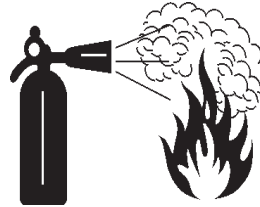
- **NEVER** lubricate components or attempt service on a running machine.
- **ALWAYS** allow the machine a proper amount of time to cool before servicing.
- Keep the machinery in proper running condition.
- Fix damage to the machine immediately and always replace broken parts.
- Dispose of hazardous waste properly. Examples of potentially hazardous waste are used motor oil, fuel and fuel filters.
- **DO NOT** use food or plastic containers to dispose of hazardous waste.
- **DO NOT** pour waste, oil or fuel directly onto the ground, down a drain or into any water source.

Lifting

- The pump has an operating weight of approximately 2,950 lbs. (1,338 Kg). Use lifting equipment capable of lifting this weight.

Emergencies

- **ALWAYS** know the location of the nearest **fire extinguisher** and **first aid kit**. Know the location of the nearest telephone. Also know the phone numbers of the nearest **ambulance**, **doctor** and **fire department**. This information will be invaluable in the case of an emergency.



Towing Safety Precautions

CAUTION - Local Towing Regulations

Check with your county or state safety towing regulations department before towing your concrete pump.

To reduce the possibility of an accident while transporting the pump on public roads, always make sure that the trailer and the towing vehicle are in good operating condition and both units are mechanically sound.

The following list of suggestions should be used when towing the pump:

- Make sure that the hitch and coupling of the towing vehicle are rated equal to, or greater than the trailer "gross vehicle weight rating" (GVWR).
- **ALWAYS** inspect the hitch and coupling for wear. **NEVER** tow the light tower's trailer with defective hitches, couplings, chains etc.
- **CHECK** the tire air pressure on both the towing vehicle and the trailer. Also check the tire tread wear on both vehicles.
- **ALWAYS** make sure the trailer section of the pump is equipped with a "Safety Chain".
- **ALWAYS** attach trailer's safety chain to frame of towing vehicle.
- **ALWAYS** make sure that the vehicle and trailer directional, backup, brake, and trailer lights are connected properly and are working properly.
- Remember in most cases the maximum speed unless otherwise posted for highway towing is 45 MPH, however before towing your pump, check your local state, and county vehicle towing requirements. Recommended off-road towing is not to exceed **10 MPH** or less depending on type of terrain.
- Place *chocked blocks* underneath wheel to prevent **rolling**, while parked.
- Depending on soil conditions and location it may be necessary to place *support blocks* underneath the trailer's bumper to prevent **tipping**, while parked.
- Inflate tires to correct pressure, inspect tires for cuts, and excessive wear. See Table 3 (Tire Wear Troubleshooting).

- Check wheel mounting lug nuts with a **torque wrench**. Torque wheel lug nuts as described in the "**Lug Nut Torque Requirements**", Table 5.
- Make sure brakes are synchronized and functioning properly.
- Check tightness of suspension hardware (nuts and bolts).
- Avoid sudden stops and starts. This can cause skidding, or jackknifing. Smooth, gradual starts and stops will improve gas mileage.
- Avoid sharp turns to prevent rolling.
- Retract wheel stand when transporting.
- **DO NOT** transport pump with fuel in the fuel tank.

CAUTION - Never Use Defective Couplers

If the trailer coupler is deformed replace entire coupler. **NEVER** tow the pump with a defective trailer coupler. There exist the possibility of the trailer separating from the towing vehicle.

Pump Trailer Vehicle Connection

1. Check the vehicle hitch ball, and trailer coupler for signs of wear or damage. Replace any parts that are worn or damaged before towing.
2. Use only the 2-inch ball diameter with a towing capability of 5,000 lbs. (2,268 kg) as indicated on the trailer's coupler. Use of any other ball diameter will create an extremely dangerous condition which can result in separation of the coupler and ball or ball failure.
3. Be sure the coupler is secured to the hitch ball and the lock lever is down (locked).
4. Attach safety chains as shown in Figure 2. Remember to **cross** the safety chains.
5. After towing for about 50 miles recheck the entire towing system for tightness.

Recommended Maintenance

1. Smear ball socket and clamp face with chassis grease. Periodically oil pivot points and wear surfaces of coupler with SAE 30 W motor oil.
2. When parking or storing the concrete pump, keep the coupler off the ground so dirt and other debris will not build up in the ball socket.

TOWING GUIDELINES

Figure 2 shown below illustrates the typical towing application that should be used when towing the pump.

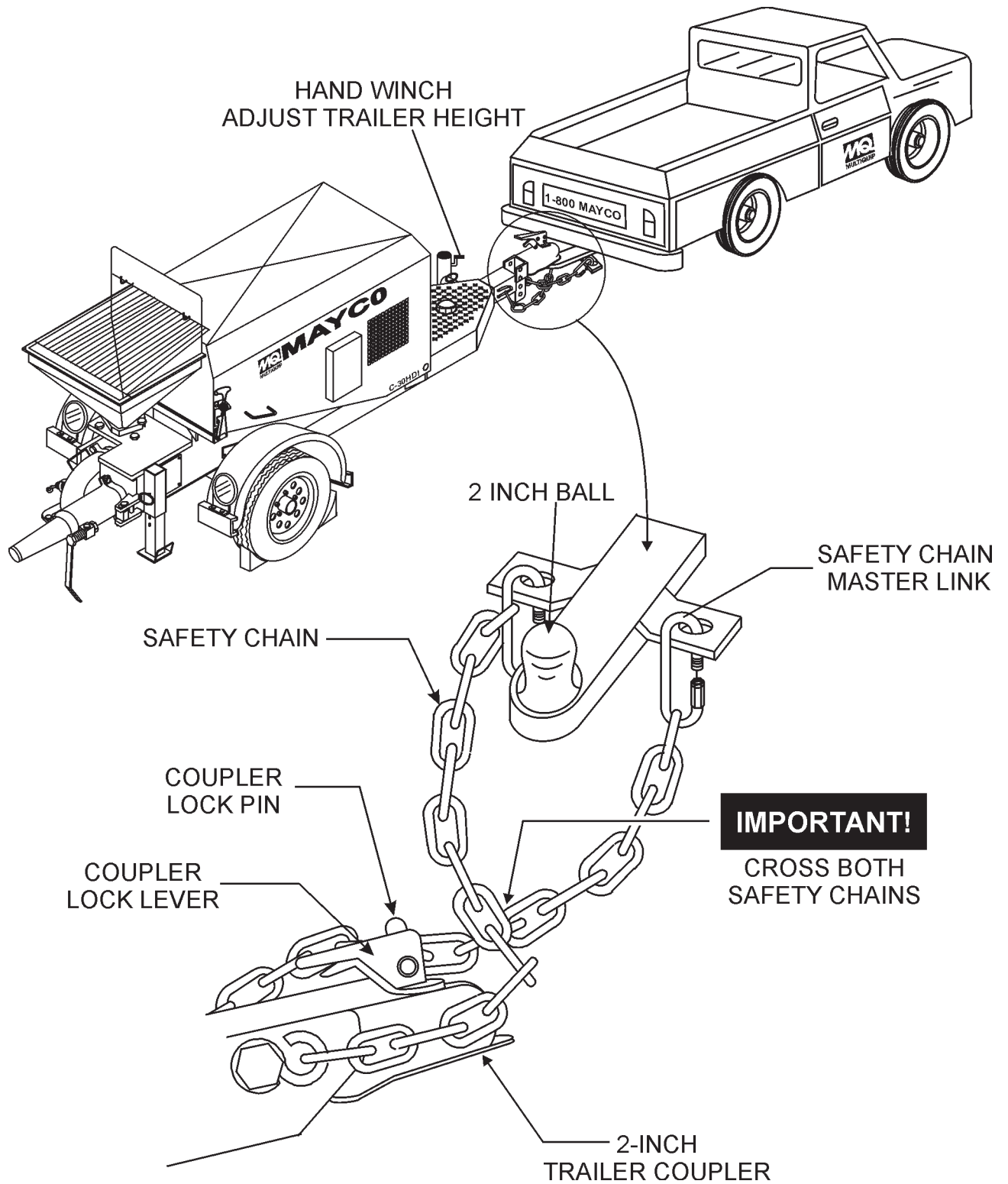


Figure 2. Towing Applications

TRAILER SAFETY GUIDELINES

Trailer Safety Precautions

CAUTION - General Trailer Safety

ALWAYS make sure that the trailer is in good operating condition. Check the tires for proper inflation and wear. Also check the wheel lug nuts for proper tightness.

This section is intended to provide the user with trailer service and maintenance information. Remember periodic inspection of the trailer will ensure safe towing of the equipment and will prevent damage to the equipment and personal injury.

It is the purpose of this section to cover the major maintenance components of the trailer. The following trailer components will be discussed in this section:

- Tires
- Lug Nut Torquing
- Suspension
- Electrical

The following list defines the major trailer components:

1. **Fuel Cell** – Provides an adequate amount of fuel for the equipment in use. Fuel cells must be empty when transporting equipment.
2. **Frame Length** – This measurement is from the ball hitch to the rear bumper (reflector).
3. **Frame Width** – This measurement is from fender to fender.
4. **Jack Stand** – Trailer support device with maximum pound requirement from the tongue of the trailer.
5. **Coupler** – Type of hitch used on the trailer for towing. This unit employs a 2 in. ball.
6. **Tires Size** – Indicates the diameter of the tire in inches (10, 12, 13, 14, etc.), and the width in millimeters (175, 185, 205 etc.). The tire diameter must match the diameter of the tire rim. This unit employs 7.35 x 14 in. tires.
7. **Tires Ply** – The tire ply (layers) number is rated in letters: 2-ply, 4-ply, 6-ply, 8-ply, 10-ply etc. This unit employs 4-ply tires.
8. **Wheel Hub** – The wheel hub is connected to the trailer's axle.
9. **Tire Rim** – Tires are mounted on a tire rim. The tire rim must match the size of the tire.
10. **Lug Nuts** – Used to secure the wheel to the wheel hub. Always use a torque wrench to tighten down the lug nuts. See Table 5 and Figure 4 for lug nut tightening and sequence. This unit employs 5 lug nuts to secure the wheel to the hub.
11. **Axle** – This trailer employs a torsion bar type suspension, which can support 3,500 lbs.
12. **Electrical** – Electrical connectors (looms) are provided with the trailer so that brake lights and turn signal lights can be connected to the towing vehicle. See **Trailer Wiring Diagram** for proper wiring connections.

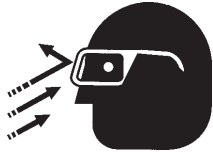
TRAILER SAFETY GUIDELINES

Tires/Wheels/Lug Nuts

Tires and wheels are a very important and critical components of the trailer. When specifying or replacing the trailer wheels it is important the wheels, tires, and axle are properly matched.

! CAUTION - General Trailer Safety

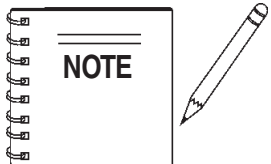
DO NOT attempt to repair or modify a wheel. **DO NOT** install an inter-tube to correct a leak through the rim. If the rim is cracked, the air pressure in the inter-tube may cause pieces of the rim to explode (break-off) with great force and can cause serious eye or bodily injury.









Tires Wear/Inflation

Tire inflation pressure is the most important factor in tire life. Pressure should be checked cold before operation. **DO NOT** bleed air from tires when they are hot. Check inflation pressure weekly during use to insure the maximum tire life and tread wear.

Table 3 (Tire Wear Troubleshooting) will help pinpoint the causes and solutions of tire wear problems.



ALWAYS wear safety glasses when removing or installing force fitted parts. Failure to comply may result in serious injury.

| TABLE 4 TIRE WEAR TROUBLESHOOTING | | | |
|---|-------------|---------------------------------|---|
| WEAR PATTERN | CAUSE | SOLUTION | |
|  | Center Wear | Over Inflation | Adjust pressure to particular load per tire manufacturer. |
|  | Edge Wear | Under Inflation | Adjust pressure to particular load per tire manufacturer. |
|  | Side Wear | Loss of chamber or overloading. | Make sure load does not exceed axle rating. Align wheels. |
|  | Toe Wear | Incorrect toe-in | Align wheels. |
|  | Cupping | Out-of balance | Check bearing adjustment and balance tires. |
|  | Flat Spots | Wheel lockup & tire skidding. | Avoid sudden stops when possible and adjust brakes. |

Torsion Bar Suspension

The torsion bar suspension and associated hardware (Figure 3) should be visually inspected every 6,000 miles for signs of excessive wear, elongation of bolt holes, and loosening of fasteners. Replace all damaged parts (suspension) immediately.

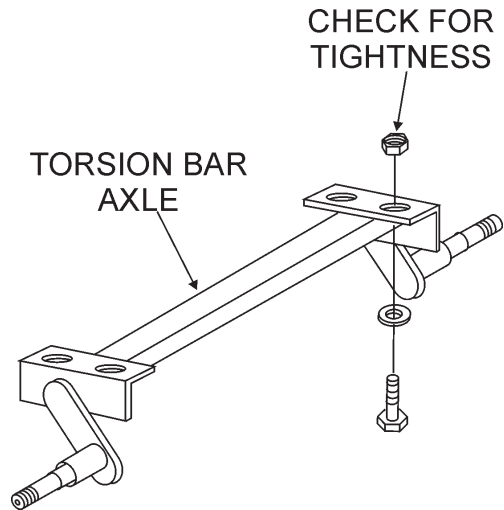


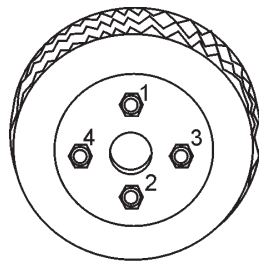
Figure 3. Major Suspension Components

TRAILER SAFETY GUIDELINES

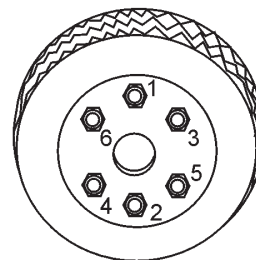
Lug Nut Torque Requirements

It is extremely important to apply and maintain proper wheel mounting torque on the trailer. Be sure to use only the fasteners matched to the cone angle of the wheel. Proper procedure for attachment of the wheels is as follows:

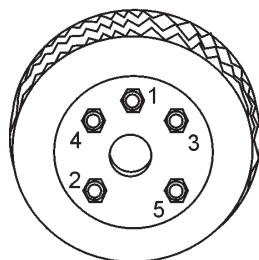
1. Start all wheel lug nuts by hand.
2. Torque all lug nuts in sequence (Figure 4). **DO NOT** torque the wheel lug nuts all the way down. Tighten each lug nut in 3 separate passes as defined by Table 4.
3. After first road use, retorque all lug nuts in sequence. Check all wheel lug nuts periodically.



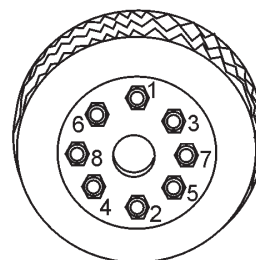
4-LUG NUTS



6-LUG NUTS



5-LUG NUTS



8-LUG NUTS

| Table 5. Tire Torque Requirements | | | |
|-----------------------------------|-------------------|--------------------|-------------------|
| Wheel Size | First Pass FT-LBS | Second Pass FT-LBS | Third Pass FT-LBS |
| 12" | 20-25 | 35-40 | 50-65 |
| 13" | 20-25 | 35-40 | 50-65 |
| 14" | 20-25 | 50-60 | 90-120 |
| 15" | 20-25 | 50-60 | 90-120 |
| 16" | 20-25 | 50-60 | 90-120 |

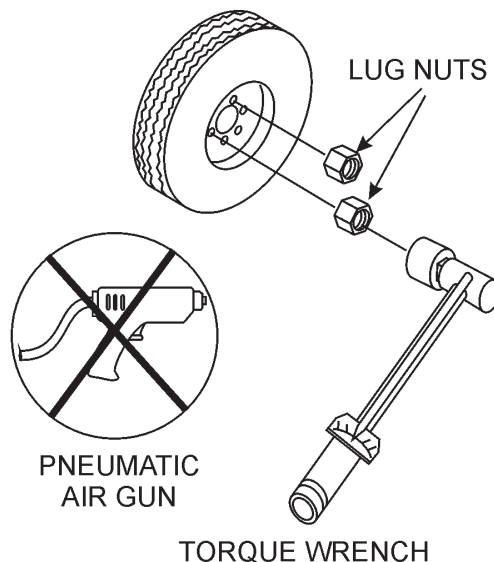
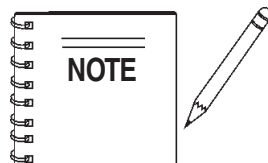


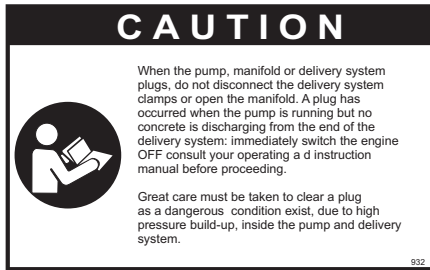
Figure 4. Wheel Lug Nuts Tightening Sequence



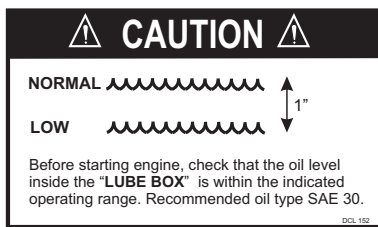
NEVER! use an pneumatic air gun to tighten wheel lug nuts.

OPERATION AND SAFETY DECALS

Figure 5 displays the operation and safety decals as they appear on the concrete pump, should any of these decals become damaged or unreadable, contact the Multiquip Parts Department for a replacement set.



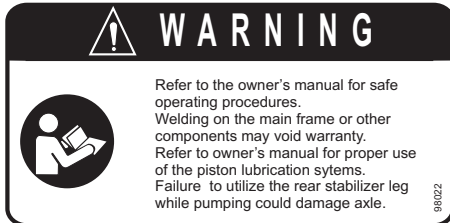
P/N EM932



P/N DCL152



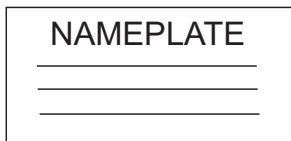
P/N EM513165



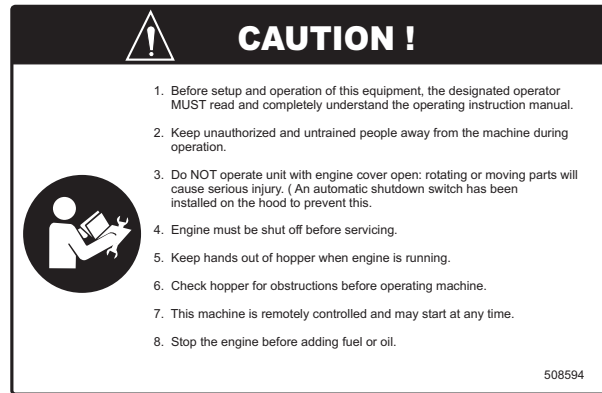
P/N 98022



P/N EM1028



CONTACT PARTS DEPT.



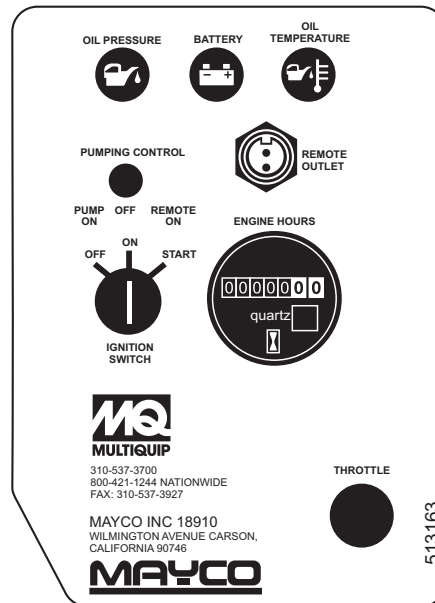
P/N 508594



P/N 513119



P/N 34536

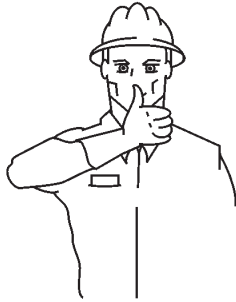


P/N 513163

Figure 5. Operation and Safety Decals

IMPORTANT HAND SIGNALS

Figure 6 display's the basic hand signals commonly used in concrete pumping operations.



CHUTE UP



CHUTE UP



STOP



START PUMP
SPEED UP



SLOW PUMP
DOWN



STOP PUMP



LITTLE BIT



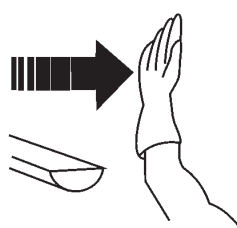
ADD WATER
4-GALLONS



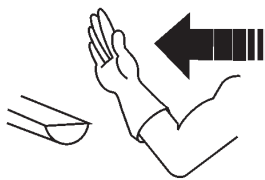
ALL DONE
CLEAN-UP



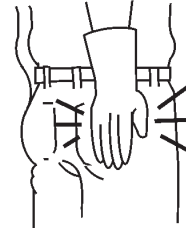
DRIVE IN



BACK UP



PULL FORWARD



BACK IN

Figure 6. Operation Hand Signals

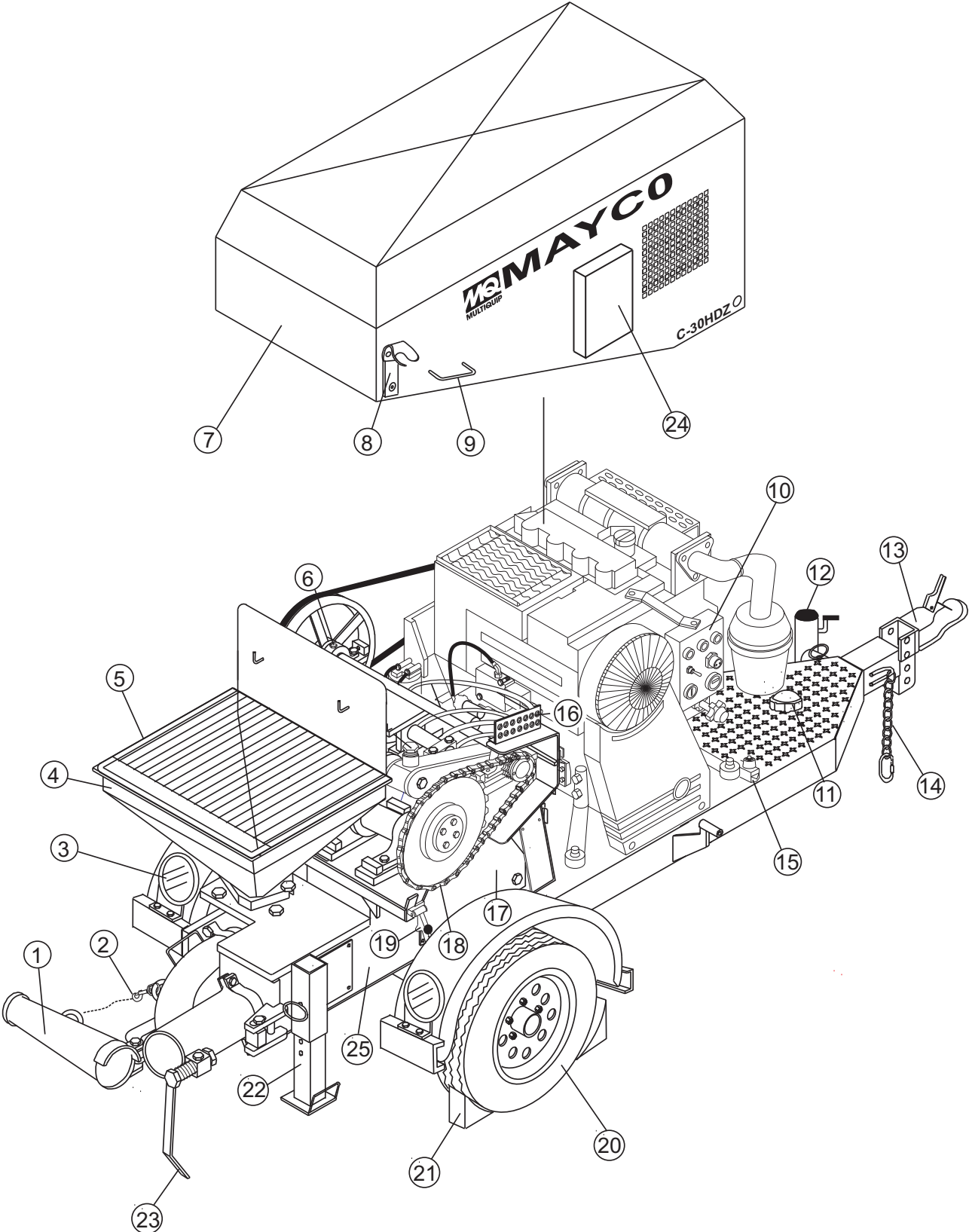


Figure 7. Major Pump Components

Figure 4 illustrates the location of the major components for the C30HDZ Concrete Pump. The function of each component is described below:

1. **Discharge Cone** – Connect 3" elbow to this discharge port, then connect 3" x 2" reducer to elbow.
2. **Discharge Cone Safety Latch** – When towing of the pump is required, **ALWAYS** secure the discharge cone to latch located on the manifold.
3. **Rear Running Lights** – **ALWAYS** check and make sure both the right and left running lights are functioning correctly before towing the pump.
4. **Hopper** – Concrete from a Redi-Mix truck is poured into this hopper. The hopper can hold 6.0 cu. ft of concrete. **NEVER** put hands or any other parts of you body into the hopper.
5. **Safety Grill** – The safety grill should be locked at all times when the pump is being towed. Under normal working conditions, raise and place the safety grill on the support hooks which are located on splash guard.
6. **Shaft Pulley V-Belt** – **ALWAYS** inspect the drive shaft V-belt for wear and alignment. A defective or misaligned V-belt can wear prematurely and adversely affect the performance of the pump. Replace with only manufactures recommended type V-belt.
7. **Compartment Hood** – **NEVER** operate the pump with the hood removed. Installed on the pump frame is a safety interlock device which prevents the engine from starting if the hood is removed or in the up position (open).
8. **Hood Fastener** – When the hood is in the down position, secure the rubber latch to this fastener.
9. **Hood Lift Handle** – Grip this handle, pull upward then back to raise the compartment hood.
10. **Control Box** – Contains the mechanical and electrical components required to run the pump. Below is a list of those components:
 - Throttle Control
 - Choke Control
 - Low Oil Pressure Indicator
 - Battery Charge Indicator
 - Water Temperature Indicator
 - Ignition Switch
 - Remote Connector
11. **Fuel Tank/Cap** – Fill with unleaded fuel. Fuel tank (cell) holds approximately 11 gallons (41 liters). **DO NOT** top off fuel. Wipe up any spilled fuel immediately
12. **Tow End Jack Stand** – Use this jack stand to level and support the pump.
13. **Tow Hitch Coupler** – Requires a 2-inch ball hitch or a 3-inch pintle. Capable of towing 5,000 lbs.
14. **Safety Chain** – **ALWAYS** attach safety chain to the towing vehicle. **NEVER!** tow the pump with the safety chain unattached.
15. **Engine Stop Device** – This device will prevent the starting of the engine when the compartment hood is in the **up** position. The compartment hood must be in the **down** position in order for the engine to start.
16. **Grease Port Console** – This console allows for the remote lubrication of components on the pump.
17. **Access Door** – There are four access doors on the pump. Remove these door to gain access to drive and piston assemblies when maintenance is required.
18. **Drive Chain** – Keep this chain properly lubricated and aligned at all times. Lubricate this chain as specified in the maintenance section of this maintenance.
19. **Rubber Latch** – Secure this rubber latch to the hood fastener whenever the pump is in use or being towed.
20. **Tires Ply**– The tire ply (layers) number is rated in letters; This trailer uses 4-ply tires.
21. **Chock Blocks** – Place these blocks (not included as part of your concrete pump package) under each trailer wheel to prevent rolling.
22. **Pump End Jack Stand** – Use this jack stand to level and support the pump.
23. **Discharge Cone Release Lever** – secures the discharge cone to the "Y" manifold; also relieves manifold pressure.
24. **Documentation Box** – Contains engine and pump operation, parts and maintenance information.
25. **Lubrication Box** – This box is empty when shipped from the factory. Please fill with 7 gallons (26.5 liters) of SAE motor oil for first time use. Also check the dual clean-out point on bottom of lubrication box for a secure tight fit.

CONTROL BOX COMPONENTS

Figure 8 illustrates the location of the major components for the C30HDZ Control Box. The function of each component is described below:

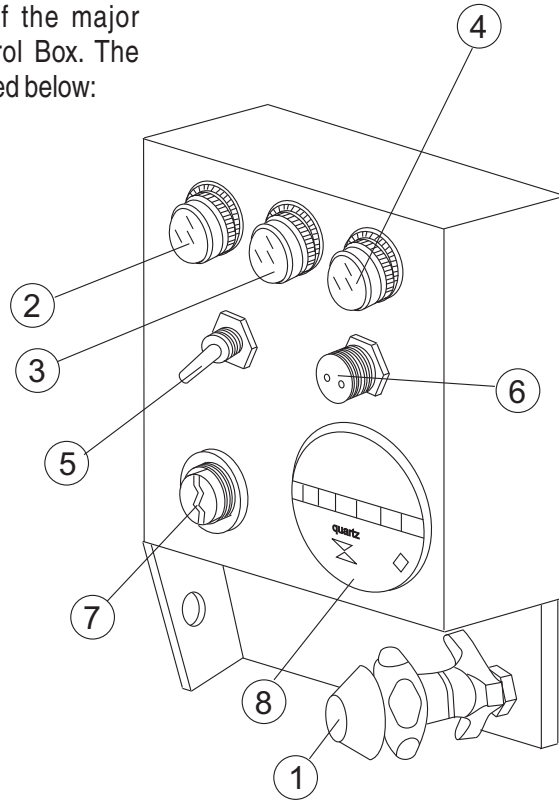
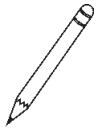
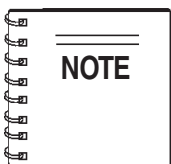


Figure 8. Pump Control Box Components

- 1. Throttle Control Knob** – This is a variable speed type control. Turning the throttle lock left (CCW) unlocks the throttle allowing the throttle control cable to be pulled out to the desired position. Once the desired engine speed has been achieved, turning the throttle lock to the right (CW) locks it in place. Use the fine tune adjustment knob to fine tune the engine rpm's.
To place the engine in idle, press the top button inward all the way.
- 2. Oil Pressure Indicator Lamp** – In the event of low oil in the engine crankcase or low oil pressure, the indicator lamp will illuminate. **STOP** the engine immediately if this occurs. **NEVER** run the engine when this lamp is lit.
- 3. Battery Charge Indicator Lamp** – Indicates if the electrical system is charging properly. If the **Battery Charge Indicator Lamp** is lit, this is an indication that the charging system is malfunctioning. **STOP** the engine and remedy the electrical charging problem.
- 4. Water Temperature Lamp** – Indicates high engine water temperature (220 degrees Fahrenheit) this lamp will be lit. **STOP** the engine immediately if this lamp comes on. **NEVER** run the engine when this lamp is on.
- 5. Pumping Control Switch** – This 3-position switch controls the pumping of the pump. The **left most** position is for use with the remote control unit, the **center** position is for normal pumping operation, and the **right most** position (OFF) prevents pumping.
- 6. Remote Control Input Connector** – Insert the remote control input cable into this connector.
- 7. Ignition Switch** – Insert the ignition key here to start the engine. Turn the key clockwise to the **ON** position, then continue turning clockwise to the **START** position and release. To stop the engine turn the key fully counter-clockwise to the **STOP** position.
- 8. Hourmeter** – Display's the number of hours the pump has been in use.



ALWAYS unlock the throttle control before it is pushed in because if this is not done first, possible damage could result to the locking mechanism.

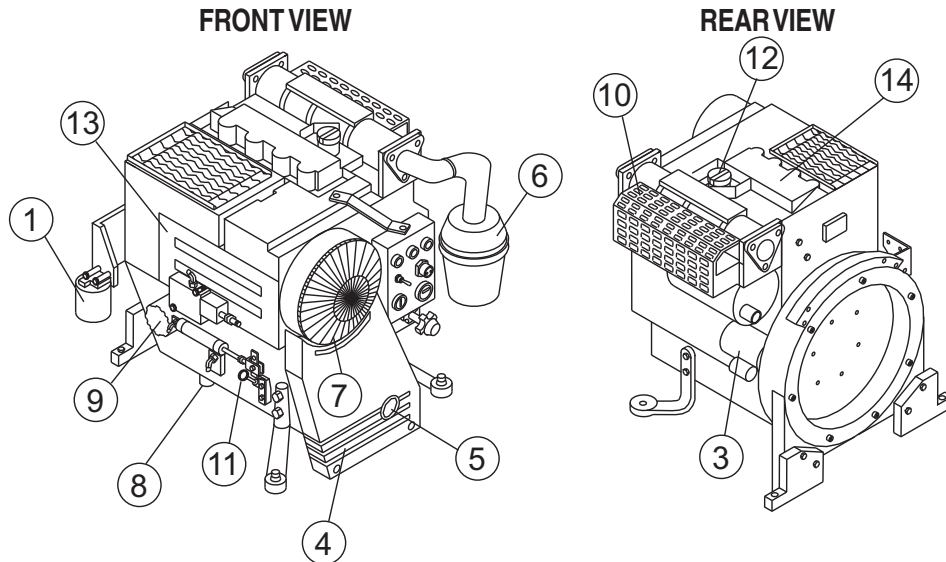
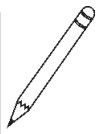
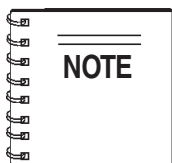


Figure 9. Deutz Model F2L01011F Basic Engine Components

Figure 9 illustrates the location of the basic components for the Deutz Model F2L01011F Engine. The function of each component is described below:

1. **Oil Filter** – Replace this filter as recommended in the maintenance section of this manual
2. **Oil Pressure Switch** – In the event of low oil level, this switch will shutdown the engine.
3. **Starter Motor/Solenoid** – **NEVER** allow concrete or any foreign debris to come in contact with the starter motor/solenoid.
4. **Fan V-Belt** – **ALWAYS** make sure that V-belt is properly tensioned. A loose or defective V-belt can adversely affect the performance of the pump.
5. **Alternator** – (not shown) Provides power to the electrical system. Replace with only manufactures recommended type alternator.
6. **Air Cleaner** – Prevents dirt and other debris from entering the fuel system. Remove wing-nut on top of air filter cannister to gain access to filter element. Replace with only manufactures recommended type air cleaner.
7. **Cooling Fan Blades** – Make sure that the blades of the cooling fan are not **bent or broken**. A damaged fan blade can cause the engine to run hot and overheat.
8. **Crankcase Drain Plug** – Remove this plug to drain engine oil from the crankcase. Replace with recommended engine oil as specified in the maintenance section of this manual.
9. **Fuel Pump/Fuel Filter** – Replace or clean the fuel pump or fuel filter as specified in the maintenance section of this manual.
10. **Muffler/Guard** – **DO NOT** touch the muffler when engine is running. The muffler can become extremely hot, causing severe burns. **NEVER** run the pump with the muffler guard removed.
11. **Dipstick** – Remove this dipstick to determine if engine oil is low. Maintain oil level at the "H" marking on the dipstick. **NEVER** run engine with low oil.
12. **Oil Filler Port Cap** – Remove this cap to add engine oil to the crankcase. Fill with recommended type oil as specified in the maintenance section of this manual.



Operating the engine without an air filter, with a damaged air filter, or a filter in need of replacement will allow dirt to enter the engine, causing rapid engine wear.

The following operating principles and operating suggestions should prove helpful in the successful operation of your concrete pump. Your new "small line" concrete pump has been designed to give you many years of service when operated properly. A study of the following paragraphs is important to the successful operation of your new Direct-flow Concrete Placer.

All concrete pumps require a high level of operator skill and more frequent service than most of the other construction equipment. The highly abrasive nature of concrete under pressure makes it extremely important that expendable wear components be inspected at regular intervals between jobs to prevent having to replace these items during a pour.

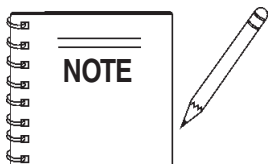
Experience has proved that inconsistency of batched concrete mixes and frequent moving of the line requires the operator to be readily available at all times during pumping to stop the pump and prevent abuse to the unit which may occur if unexpected blockages develop.

Pump Mix Guidelines

When ordering concrete, be certain to advise the concrete supplier that you require a "**pump mix**". The Direct-flow manifold will pump a wide variety of materials, but certain basic principles must be followed to assure successful pumping, as follows:

Generally speaking, the washed concrete sand and #4 aggregate (pea gravel) should conform to A.S.T.M. standards in regard to sieve analysis. Sands in some areas are washed clean of the #100 and #200 mesh fines, which results in separation and jamming in the manifold while pumping under pressure.

If this condition develops, check with your concrete suppliers engineers and get their recommendations for supplementing the lack of the fines. The use of locally accepted ad-mixes may be required. (For example, Pozzoloth, Bentonite Clay, Plastiments, etc.) When properly prescribed, additives form the plastic paste sometimes necessary to hold the cement and aggregate together.



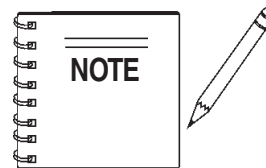
If jamming conditions in the pump or hose occur for any reason at all, do not attempt to use more power to correct the condition.

Determine the cause of jamming, correct it and resume pumping. Trying to force material through under jammed conditions may result in damage to the drive system, thus voiding any warranty services.

As a general rule, the use of approximately six sacks of cement, 70% washed concrete sand and 30% #4 pea gravel per yard of concrete will result in a pumpable mix. The ideal nature of sand and rock in certain areas may permit you to increase the percentage of rock or adjust the mix considerably to meet the job requirements. When possible, you may experiment with various mixes in your area to determine the degree of versatility of the Direct-flow Pump.

Uniform gradation of the washed concrete sand and the 1/2" minus aggregate along with sufficient cement content and water are important to a successful pump operation.

A recommended pumpable mix design would be 70% sand and 30% aggregate-cement content to be a minimum of 6 sacks. (564 lbs.)



Your local sand and rock engineers will give you the S.S.D. weights of sand and rock required in your local area which will yield one cubic yard per the above recommendation.

Sample Design Mix - 3000 Psi 3/8 in. Slump 4- 5 in.

| | | |
|-------------------|------------------|-----------|
| Type II Cement | 6.49 sack/cu. yd | 611 lbs. |
| Sand | Sat. Surf. Dry | 2000 lbs. |
| #4 Gravel | Sat. Surf. Dry | 864 lbs. |
| #3 Gravel | Sat. Surf. Dry | 0 lbs. |
| Water | 48 Gallons | 400 lbs. |
| | Total Weight | 3,906 lbs |
| Admixture WRDA-79 | | 26 oz. |
| Water | 7.40 gal/sack | |

Test laboratory data has proven in many areas that the above mix guidelines have produced concrete rated at 3000 psi (28 day test) and upwards of 5000 psi with an increase in cement.

In some areas where the gradation of sand and rock is ideal and sufficient cement is used along with admixtures, the Mayco small line concrete pump will handle up to a 50-50 ratio of sand and rock.

When the mix is designed for wet gunning applications, it is normal to increase the cement (up to 7.5 or 8 sacks) and change the sand to rock ratio to 85% sand and 15% rock.

The Mayco concrete pump will valve efficiently when using cellular-foam concrete mixes upwards of 70 lbs. per cubic foot wet density. (Below 70 lbs. materials (roof decks) the valving becomes inefficient.)

The C30HDZ concrete pump has one main pumping piston which is valved by means of two ball checks. (**A** inlet, and **B** outlet.)

The secondary piston is used as a compensator piston to smooth out the pulsations of a single piston action. Note: The compensator will not start operating until material is pumped into the line and back pressure develops.

The **compensator spring**, which is installed on the compensator piston rod, deflects with each piston stroke. This “**spring cushion**”, in conjunction with the cam profile, produces an uninterrupted smooth flow of material under average pumping conditions.

The pumping cylinder (Figure 10) retracts drawing the material past the ball (A) and filling the cylinder. The compensator piston is pumping the material out to the nozzle and causing ball (B) to seat preventing the material from returning to the pumping cylinder intake.

An automatic, centrifugal clutch is installed to engage and disengage the pumping action without stopping or starting the engine. The **centrifugal clutch** is set at 1100 R.P.M. The engine idle speed is approximately 875 R.P.M.; therefore, the clutch is completely disengaged at idle. The throttle settings while pumping should always maintain an engine R.P.M. high enough to prevent the clutch from slipping and burning the clutch lining.

The return spring which is installed on the rocker arm, is installed to eliminate shock and stress between the cam roller and the cam weldment when the pump is in operation. If the return spring is removed or replaced for any reason, maintain the backing plate dimension of 3” as shown on Figure 3, to produce the proper pre-loading of the spring for a smooth performance.

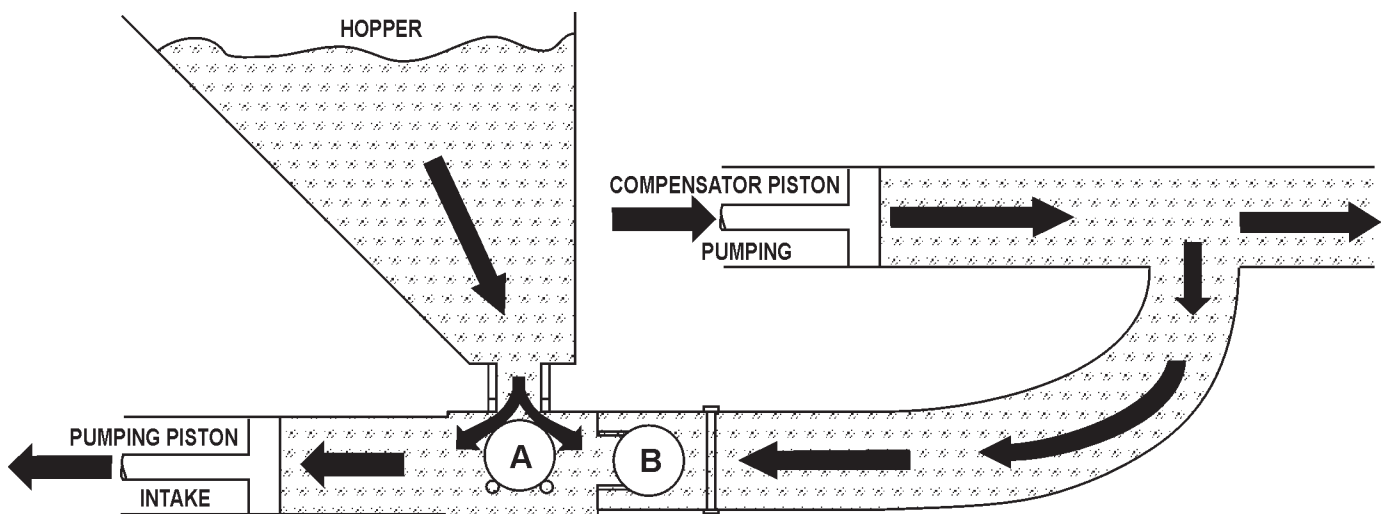


Figure 10. Pumping Cylinder

The pumping piston (Figure 11) is forcing the material past ball (B) and out to the nozzle, also seating ball A so that the material will not flow back to the hopper. This action also fills the compensator piston for the next stroke.

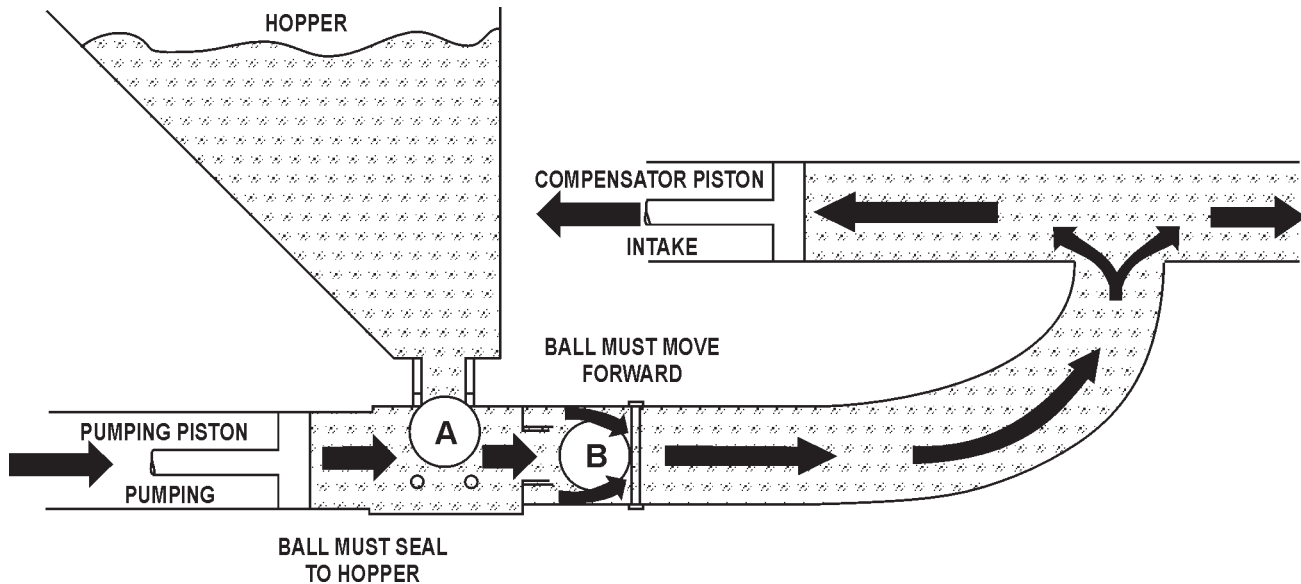


Figure 11. Pumping Pistons

Figure 12 shows the relationship between the return spring, the compensator spring and the rocker arm to maintain a smooth performance. **DO NOT** tighten the bolt (Item 1) completely, the rod end must be able to move.

The return spring is installed to eliminate shock and stress between the cam roller and the cam weldment when the pump is in operation. If the **return spring** is removed or replaced for any reason, maintain the backing plate dimension (3-inches) as shown to produce proper pre-loading of the spring for a smooth performance.

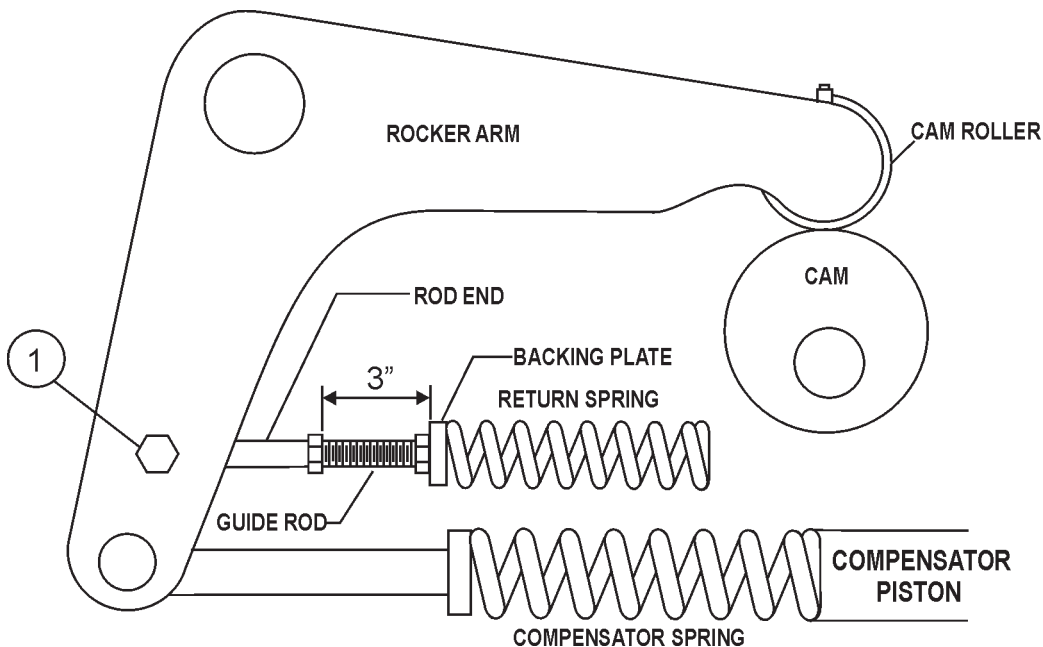
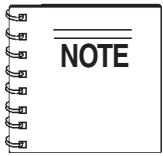


Figure 12. Return Spring, Compensator Spring and Rocker Arm Interaction

OPERATING SUGGESTIONS

1. A well-planned location of the pump and routing of the hose before starting a pour may save subsequent moves throughout the job.
2. Before concrete is discharged into the hopper, it is suggested that 3 to 4 gallons of water be sprayed into the hopper, followed by approximately 5 gallons of a creamy cement and water slurry (1/2 bag of cement to 5 gallons of water). This procedure lubricates the hose and prevents separation and blockages in the hose.



Getting the concrete to flow through the hose at the start of the pumping cycle can be one of the most critical operations of the pour. (**Manually** operate the throttle when starting, **NOT remotely**)



WARNING - Hose Blockage Hazard

If hoses or lines are **blocked** for any reason, or if the lines are **kinked** when starting up or during the pumping cycle, the pump pressure could straighten out the kink or force out the blockage. This rapid surge of material could cause the lines to **whip** or **move** in a manner that could cause injury to personnel.

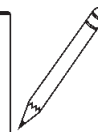
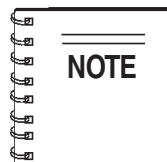
Inspect the lines at all times to prevent the above conditions

3. It is important that once the slurry procedure is completed, and you have started concrete flowing through the hose, do not stop the pour until all the slurry is pumped out and the concrete has reached the end of the hose. The only time to stop the pump at the start is if a blockage occurs.
4. When the pump is stopped for any reason during a pour; e.g., moving hose, waiting for redi-mix truck, the following suggestions are offered:
 - A. Leave the hopper full of concrete at the time of shutdown. It is important not to let the **redi-mix** driver wash too much water into the hopper, as this could cause separation of the concrete in the hopper.
 - B. If the **shutdown** period exceeds 2 to 3 minutes, turn off the engine so the vibration does not separate the mix in the hopper which can cause a blockage in the manifold when the pump is started.

- C. If it is necessary to wait 10 minutes or more for another load of concrete, it is wise to start the pump and pump 6 or 8 strokes every 5 minutes to prevent setting of the mix in the system. If waiting time is excessive, it would be wise to wash out the pump and hoses and start over when the new truck arrives.
- D. When pumping stiff mixes and there is waiting time between redi-mix trucks, it is advisable to add some water to the last hopper of material and “hand mix” to ensure an easier start with the following load.
- E. When the pumping job requires a stiffer mix, the following method is suggested for starting: Take a water hose with a nozzle on it and apply water with a fine spray to the concrete as it comes down the redi-mix chute into the pump hopper after the slurry procedure is completed and you are ready to start pumping.

Using this procedure will make it easier to pump through the clean hose. Note: Once the concrete has reached the end of the hose, do not apply any more water in this manner as this procedure is used on the start only.

- F. Hose sizing is very important: We strongly recommend on harsh mixes, vertical pushes, stiff concrete, shotcrete, long pushes, that a 2 -1/2” line be used as far as possible. The advantages of using the 2 -1/2” line are improved pumpability, less pumping pressure and less wear on the pump.
5. Following the pump operation, proper wash out of all materials or “build-up” within the pump manifold and hoses will prevent problems when starting the next job.
6. A thorough inspection of the drive components and greasing of all bearings after each job will ensure adequate lubrication and service to the pump which is normally operating in wet, gritty conditions.



Over-greasing any **bearing** on your Mayco pump will not damage the bearing.

WARNING - Hose Blockage Hazard

If you repeatedly pull the throttle all the way out and try to force your pump to push through **blockages** due to separation of material in the hose or manifold, you will soon have breakdowns and costly repairs which are not covered under warranty.

If a blockage occurs, find where it is and clear it before further pumping. **DO NOT** increase the engine speed to clear the blockage. Increasing the engine speed will only compound the problem.

WARNING - Moving The Pump On The Job Site

It will be necessary at times to move your pump from one job site location to another. Before moving the pump, make sure to pump the remaining concrete out of the hopper. Moving the pump with a **full hopper** of concrete can cause severe damage or breakage of the axle and axle springs, excess strain and pressure on the hub and bearing assembly.

New Pumps

All new pumps are “**water pressure tested**” at the factory before shipment. This procedure permits a thorough inspection of the entire drive system and valving under simulated full load conditions.

The pump owner can do the same by attaching an adaptor couple to the end of the discharge cone; e.g., the use of a standard 2 in. pipe cap with a 3/8 in. hole drilled in the center, screwed on to the end of the hinged cone or reducer at the pump.

Fill the hopper with water after making sure that all sand and rock have been removed from the manifold. Operate the pump at full throttle and the 3/8 in. diameter hole restriction will create sufficient back-pressure to make a thorough inspection of all moving parts.

Pumping Tips

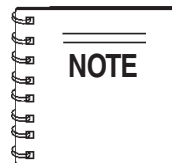
1. **The effects of heat and excessive time on concrete:** Hot concrete, commonly referred to as a hot load, is concrete that has been in the redi-mix truck in excess of 2 to 3 hours. On a hot day, this amount of time is even less. A brief explanation of why heat and time affect concrete:

Concrete starts setting by drying up through a chemical reaction. The catalyst to this reaction is heat. When pumping a hot load, it is important to remember that when you have to stop pumping for any reason, add water to the concrete in the hopper and hand mix and move concrete in the hose every 5 minutes. If the shut down time becomes too long, wash out immediately.

2. ADMIXTURES

Remixtures that are designed into the concrete mix by the redi-mix company or an architectural engineering company. This section lists common admixtures and a brief explanation of their functions:

- A. **Pozzolith 300** – or the equivalent acts as a water retarder and a lubricant. On a lean mix, long pushes, stiff mixes, and vertical pushes, Pozzolith 300R helps pumpability.
- B. **MBVR** – air entraining, acts as a lubricant.
- C. **Calcium Chloride** – commonly referred to as C.C., is used as an accelerator. When pumping a load with calcium chloride, it is recommended that you wash out if the waiting time between delivery trucks becomes too long.
- D. **Super Plasticizers** – acts as an accelerator. The concrete will look very wet after the super plasticizer is added, but will begin to set up very fast. Wash out immediately if you do not have a truck waiting. Super plasticizers are used mainly on commercial jobs.
- E. **Red Label** – acts as a water retarder and an accelerator. Red label will be used mainly on commercial jobs.
- F. **Fly Ash** – is used to help increase the strength of the concrete and decrease the cement content per yard. This is one of the most common admixtures used.



All admixtures will be shown on the redi-mix concrete ticket. Before starting the pumping job, ask the driver of the redi-mix truck to see the concrete ticket and note the admixtures that exist and take the proper action.

3. When pumping long distance or pumping stiff mixes, you can expect a drop in volume compared to shorter lines and wetter mixes due to the change in valve efficiency or cavitation.
4. Leaking manifold seals or hose coupling gaskets which leak water can cause separation and subsequent jamming at that point.
5. Damaged hoses with internal restrictions can cause blockages.

6. If a blockage occurs in a hose, “walk the hose” until you find the point of trouble. The hose will be soft immediately past the blockage. If this happens at the start, disconnect the hose at the first coupling past the blockage.

Elevate the hose at that point with the blockage area hanging down.

CAUTION - Hose Pressure Hazard

When disconnecting hoses, use **extreme CAUTION!** The hose is under pressure!

Using a hammer, you can pound the down-stream edge of the packed area until it is free to flow. Shake all of the sand and gravel out to the end of the hose. Before reconnecting the hose, start the pump and run a small amount of concrete out to the end of the hose. This will assure that all of the separation is out of the hose.

7. Clearing a Plugged Manifold

The manifold is plugged if the volume at the discharge end of the hose stops, and the hose is soft. The drive belts will start to slip and the engine will lugdown.

Follow steps 7A through 7J to un-plug a clogged manifold.

DANGER - Clearing A Plugged Manifold

Due to pressure build-up inside the manifold, great care must be taken when clearing a plugged manifold.

- A. **STOP** the pump. Switch **OFF** the engine.
- B. **DO NOT** open any of the delivery system joint clamps.
- C. The **senior** operator must warn all others to stand at least 20 feet away from the pump and turn their heads away from the manifold.
- D. The operator must position himself/herself away from the hinged side of the manifold.
- E. Wearing safety glasses, grasp the clamp arm weldment and carefully pull it open to the primary (safety) position. **STOP** count to 20. This will allow the pressure to release.
- F. After the pressure has been released, open the clamp arm weldment and swing the hinged discharge cone open.
- G. Remove blockage with a round 2-foot length of reinforcing steel rod. Flush the manifolds with water. Make sure the (3" x 2") reducer is clear of any blockage before closing the discharge cone.

- H. After the blockage has been cleared and the pump manifold has been thoroughly flushed with water, close the hinged discharged cone and lock into place.

- I. Before reconnecting hose to the reducer, start the engine and pump two or three shovels of concrete through the reducer. This will insure that all the blockage has been cleared.

- J. Shake out around 2 feet of concrete before reconnecting hose to pump. After this is done, connect hose to pump and resume the pumping operation.

8. Avoiding Setting of the Mix in the System

To avoid setting of the concrete mix in the system when waiting more than 30 minutes between concrete loads, flush the system depending on job factors (such as presence of accelerators and job site temperature) and your particular mix design.

Clearing a Mix from the System

If, for any reason, the mix should set up in the system, the following procedure is suggested:

CAUTION - Hose Pressure Hazard

When disconnecting hoses, use **EXTREME CAUTION!** The hose is under pressure!

1. Disconnect the hoses from the pump and wash the pump out immediately. For example: If you had 200 ft. of system out, you would disconnect each hose.
2. Reconnect the first hose and fill the hopper with water. **DO NOT** try to push all the concrete out of all of the hose lines at one time.
3. Clean it out by pushing water through the first hose off the pump, then continue progressing through all the hoses, until all the system is clean.
4. If waiting time is excessive, it would be wise to wash out the pump and hoses and start over when the new truck arrives. This can be avoided by being observant to the pump and system, also taking into consideration the above factors affecting the mix.

Down-Hill Pumping

Downhill pumping can be difficult on some jobs. It is suggested that a sponge 2"x 4"x 6" be placed in the hose before the start of pumping. Wet the sponge before placing it in the hose. Reference the Operating Suggestions at the start of this section for slurry procedures.

The reason for using the wet sponge is to keep the slurry from running too far ahead of the concrete and so reducing the possibility of separation. When the pump is stopped, the material can flow slowly down, due to gravity, and cause the hose to collapse.

When pumping is resumed, you can expect a blockage at the point of hose collapse. To prevent this from happening, the hose can be "kinked off" at the discharge end when the pump is stopped to prevent the gravity flow of the material in the hose.

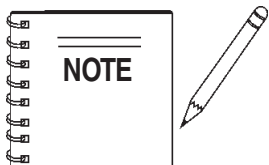
The use of stiffer mixes when pumping down-hill will decrease gravity flow of the material in the hose and will assure a smoother operation between the cam roller bearing and cam plate. As with any job, make sure that the hose and the couplings are in good workable shape.

Vertical Pumping

When pumping vertically up the side of a building, above 40 feet, we would recommend the installation of **steel pipe** securely fastened at intervals as necessary to support the pipe. Ninety degree, long radius pipe sweeps should be installed at the top and bottom of the steel line.

Use a 25 ft. hose, or short section, off the pump; and for the balance of the horizontal distance to the vertical line, use steel pipe. This type of installation has been satisfactory on many jobs being pumped in excess of 100 feet high. Line pressures are always less using steel pipe as compared to hose.

When pumping vertically using **all hose**, it is recommended not to go higher than 50 feet with hose. The hose should be tied off at intervals of 10 feet, if possible. Special attention should be given when tying the hose off at the top as the hose will have a tendency to stretch when filled with concrete. This will increase the possibility of a blockage at the point where the hose is tied off. To avoid this, a long radius of 90 degree elbow is recommended. The suggested place to tie off is on the hose, under the clamp.



It is strongly recommended that steel pipe be used on **ALL** vertical pumping for safety and convenience.

Valve Seats

If the volume at the end of hose starts to decrease gradually and eventually almost stops, it is quite likely that the **valve seats** have had excessive wear and need replacement. Once they have reached a certain wear point, they may "channel out" rapidly and material will reciprocate past the ball on each stroke.

The hollow **steel ball** should be replaced when it starts to show dents or appears to be badly worn. Sand and aggregate materials in some areas are extremely sharp and hard and therefore highly abrasive. Under these conditions when pumping stiff mixes, or to high elevations which cause line pressures, it will be noted that valve components may have short wear life.

If this condition exists, it is advisable to remove the manifold only, and inspect the lower seat at the end of each day. If it appears that the seat is beginning to "channel out", replace before starting the next day's pour.

The upper valve seat can be inspected after each washout by running your finger around lower edge of seat where the ball makes contact. You can reach this from the inside of the hopper. Be sure that the engine is turned off.

Pulsation

A slight pulsation of the hose will always be noticeable near the pump. Excessive pulsation of the hose near the pump is normally due to higher than average line pressures caused by stiff, harsh mixes, or extremely long pumping distances.

The use of 2 - 1/2" I.D. hose in these extreme cases reduces line pressures or the addition of slight amounts of water to the mix, if permissible, will permit easier pumping. The use of certain pumping admixtures may help.

If excessive pulsation exists in the hose, it is advisable to use burlap or some means of wear protection under the hose at points where the hose may wear through the outer cover; e.g. over forms, steel or sharp curbs.

Cam Roller

If the cam roller does not ride on the cam profile smoothly, it may be caused by insufficient line back-pressure; e.g., a wet mix with only 50 feet of hose. Add more hose as necessary. It can also be caused by cavitation or the passing of over-sized aggregates through the valving, causing it to skip.

Snap-Joint

When using Snap-Joint couplings with gaskets to join hose, see that they are washed clean after each job. Keeping the hose ends clean (heavy duty) is very important for the best job setup. A thin coat of grease on the rubber gasket or dipping both coupling and gasket in water before coupling the hose will make for easier installation.

CAUTION - General Safety Guidelines

NEVER operate the pump in a confined area or enclosed area structure that does not provide ample **free flow of air**.



ALWAYS wear approved **eye** and **hearing** protection before operating the pump.

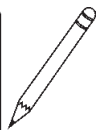
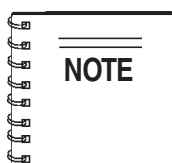
NEVER operate the pump's engine with the engine hood removed. The possibility exists of **hands, long hair, and clothing** becoming entangled with the V-belt, causing injury and bodily harm.



NEVER place hands or feet inside the **hopper**. **ALWAYS** make while the engine is running. **ALWAYS** shut-down the engine before performing any kind of maintenance service on the pump.

Before Starting

1. Read safety instructions at the beginning of this manual.
2. Removing any dirt and dust that might have accumulated around the engine cooling air inlet, fuel injection system.
3. Check the air filter for dirt and dust. If air filter is dirty, replace air filter with a new one as required.
4. Check fuel injection system for external dirt and dust. Clean with dry compressed air.
5. Check fastening nuts and bolts for tightness.
6. Connect Battery
7. Make sure hopper is free of dirt and foreign debris (large objects over 2-inches)
8. Make sure radiator is filled with proper amount of anti-freeze water solution (50/50).
9. Make sure all hose lines are in good condition and are working properly.



Reference manufacturer engine manual for specific servicing instructions.

Engine Oil Check

1. To check the engine oil level, place the pump on secure level ground with the engine stopped.
2. Remove the dipstick from its holder (Figure 13) and wipe it clean.

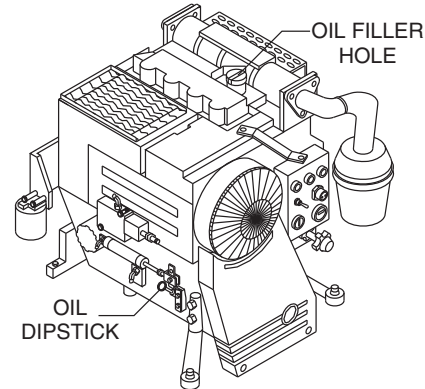


Figure 13. Engine Oil Dipstick (Removal)

3. Check the engine oil level as shown on the dipstick (Figure 14).

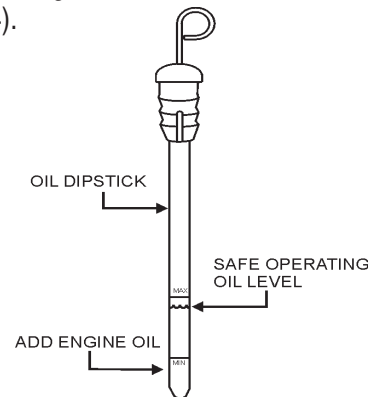


Figure 14. Engine Oil Dipstick

4. If the engine oil level is low, add oil through the engine oil filler hole (Figure 15) with the recommended oil type (Table 3). Maximum oil capacity is 3-3/8 quarts (3.2 liters).

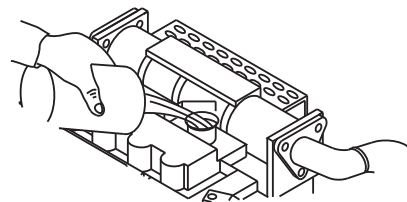


Figure 15. Engine Oil Filler Hole


TABLE 5. OIL TYPE

| Season | Temperature | Oil Type |
|-------------|------------------|---------------|
| Summer | 25°C and greater | SAE 10W-30 |
| Spring/Fall | 10°C to 25°C | SAE 10W-30/20 |
| Winter | 0°C or Lower | SAE 10W-10 |

Gasoline Check

1. Remove the gasoline cap located on top of fuel tank.
2. Handle Fuel in a safety container. If the container does not have a spout use a funnel.
3. Visually inspect to see if fuel level is low. If fuel is low, replenish with unleaded fuel. When refueling, be sure to use a strainer for filtration. **DO NOT** top-off fuel. Wipe up any spilled fuel.
4. Pay attention to the fuel tank capacity when replenishing fuel. Refer to the fuel tank capacity listed in Table 5.

! WARNING - Explosive Fuel



Gasoline is extremely flammable, and its vapors can cause an explosion if ignited. **DO NOT** start the engine near spilled fuel or combustible fluids. **DO NOT** fill the fuel tank while the engine is running or hot.

DO NOT overfill tank, since spilled fuel could ignite if it comes into contact with hot engine parts or sparks from the ignition system. Store fuel in approved containers, in well-ventilated areas and away from sparks and flames. **NEVER** use fuel as a cleaning agent.

DO NOT smoke while refueling, motor fuels are highly flammable and can be dangerous if mishandled.

V-Belt Deflection

1. Visually inspect the V-belt for cracks, fraying, wear or oiliness.
2. Make sure V-belt does not the bottom the pulley groove.
3. Check the V-belt tension (Figure 19) by pushing midway through the two pulleys. The V-belt deflection should be between .300 to .472 inches (8 to 12 mm).

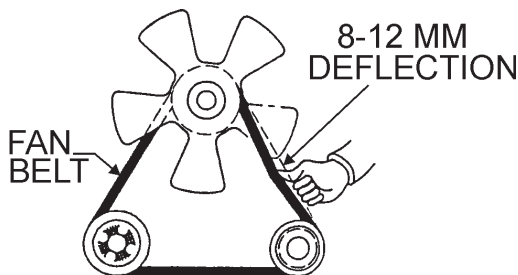


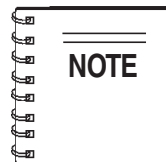
Figure 19. V-Belt Deflection

Lubrication Box

The C30HDZ model features a fully enclosed **lubrication box**, which utilizes the "**splash**" method of lubrication.

Before using your new pump, 7 gallons of SAE 30 motor oil must be added directly into the lubrication box. Visually inspect the oil in the lubrication box by making sure the oil is at the correct operating level as indicated by the dip stick (Figure 16).

Also reference the oil level decal (Figure 17) adjacent to the lubrication box.



Make sure the pump is on a secure level surface when checking the oil level inside the lubrication box.

! CAUTION - Checking Lubrication Oil Levels

The oil level **must** be **checked daily** to ensure adequate oil level and oil cleanliness.

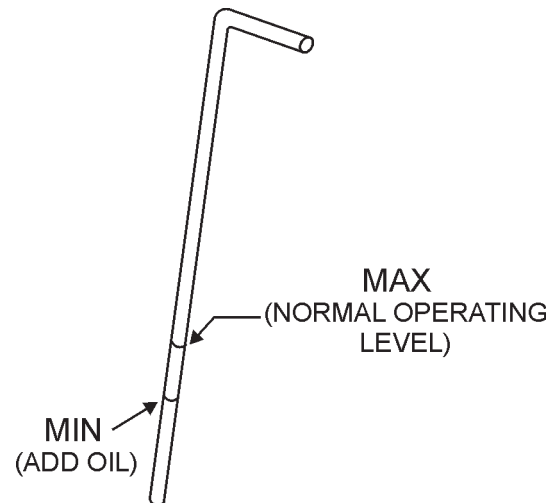

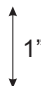



Figure 16. Lubrication Box Dipstick

! CAUTION !

NORMAL  

LOW 

Before starting engine, check that the oil level inside the "**LUBE BOX**" is within the indicated operating range. Recommended oil type SAE 30.

DCL 152

Figure 17. Lubrication Box Oil Caution Decal

STARTUP/SHUTDOWN PROCEDURES

Starting

CAUTION - General Safety



DO NOT attempt to operate this concrete pump until the Safety, General Information and Inspection sections have been read and understood.

1. Turn the throttle control knob fully counter-clockwise to set the engine speed to **IDLE**. (Figure 17.)

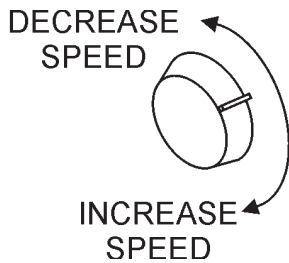
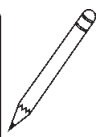
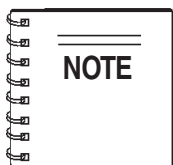


Figure 20. Throttle Control Switch



During **pumping operations**, the engine speed cannot be reduced below **1300 RPM's**.

This built in feature protects the clutch from disengaging (slipping) during operation.

2. Place the pumping control switch (Figure 21) in the **OFF** position.

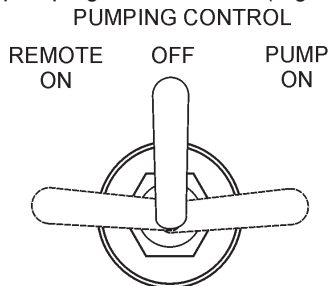


Figure 21. Pumping Control Switch (OFF)

3. Insert the ignition key into the ignition switch (Figure 22), turn the key to the **ON** position, then to the **START** position, release the key when the engine starts.

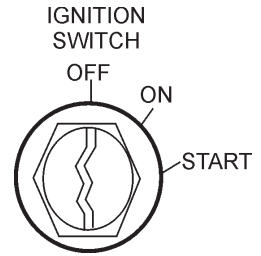


Figure 22. Ignition Switch

6. Verify that the **oil pressure**, **battery** and **water temperature** status lamps (Figure 23) are all **OFF**. If any of these lamps are **ON**, stop the engine and correct the problem.

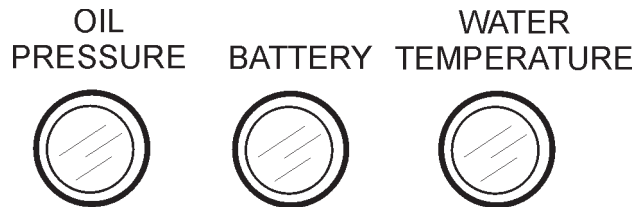


Figure 23. Control Box Status Lamps

7. Let the engine run for 3-5 minutes before putting pump into operational use. Push the choke knob in all the way.
8. Listen for any abnormal sounds. If any mechanical or electrical problems exists, **STOP** the engine and correct the problem.
9. To begin pumping concrete. Place the pumping control switch (Figure 24) in the **ON** position

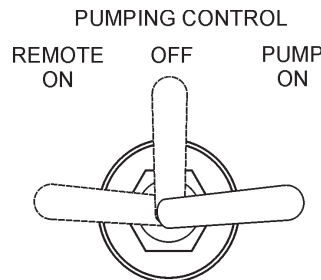


Figure 24. Pumping Control Switch (ON)

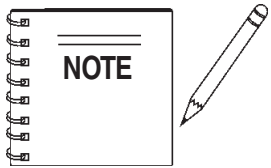
System Shut-Down

1. Place the pumping control switch in the **OFF** position (Figure 21).
2. Turn the throttle control knob fully counter-clockwise. Let the engine run at idle speed for 3-5 minutes.
3. Turn the ignition key (Figure 22) to the **OFF** position.
4. Clean pump as referenced in the maintenance section of this manual.

Preventive Maintenance

It is extremely important to maintain this pump due to the highly abrasive nature of concrete material.

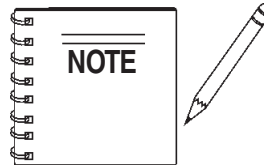
1. Inspect all drive components for loose or worn bolts.
2. Drive belt/chain should be checked to remove all slack. Refer to adjustment procedure.
3. **ALWAYS** carry extra "O" rings.
4. Keep entire pump clean of concrete to prevent build-up.
5. **ALWAYS** grease every fitting daily. Use only premium grade grease.



Over greasing will not damage pump.

General Clean-up Procedure

1. Ensure that there is no blockage in the hose and line (Pumping Tips, step 8) or in the manifold (Pumping Tips, step 7). If a blockage exists, clear it to ensure proper operation the next time it is used. At the end of every pour, or during long delays during a pour, the pump and delivery system must be thoroughly cleaned by removing all concrete material.
2. Proper wash out of all materials or build up within the pump manifold and hoses following the pumping operation will prevent problems when starting the next job. After completion of the pour, pump the remaining concrete in the hopper through the discharge line.



To avoid the possibility of separation during clean-up, do not pump the concrete below the inlet ball in the hopper. It is best to leave approximately 3 to 4 inches of concrete above the inlet ball.

3. Turn the pump engine off before filling the hopper with water. Engine vibration at idle may "separate" material in the hopper, causing jamming in manifold when pumping is resumed.
4. Fill hopper with water and resume pumping. The water will push the concrete through the line. When the water runs clear at the end of the hose, disconnect lines and shake out all the sand and sediment so the lines will be clean for the next pour.
5. It is important that the hinged discharge cone on the pump manifold be opened and all remaining concrete (rock and sand) be thoroughly washed out. This must be done after each job to prevent concrete build up in the discharge manifolds and 3" discharge elbow.

Sponge Clean-out Procedure

This section will explain the recommended procedure for using a **sponge** to clean out the **hose lines**.

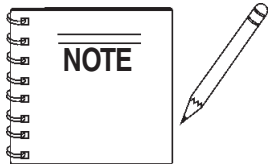
CAUTION - Clearing The Pump

NEVER use **muratic acid** to clear the pump. Acid will dissolve the chrome finish on the pumping cylinder.

NEVER use compressed air to clean out the lines.

When using a clean-out hook to clean out the rear of the redi-mix truck, use a **safety chain** to secure the clean-out hook to some solid part of the redi-mix truck to prevent the hook from jumping off the redi-mix truck's hopper. Run the pump at half throttle.

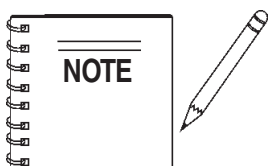
1. After completion of the pour, pump the remaining concrete in the hopper through the discharge line. Using a shovel, clean the sides of the hopper.



The pump engine should be turned **OFF**, as explained in General Clean Up Procedure.

After the sides of the hopper have been cleaned, add a small amount of water to the remaining concrete in the hopper and hand mix.

2. Start the pump engine and pump the hopper all the way down.
3. Disconnect the hose from the pump. Fill the hopper with water and pump the remaining concrete out of the pump.
4. Open the hinged discharge cone and thoroughly wash out all remaining concrete (sand-sediment) from the cone and pump manifolds. Close the discharge cone and lock in place.
5. Take a sponge (2"x4"x6") and soak it with water. Take the hose that is disconnected from the pump and shake out the concrete so that about 2 feet of it is clear. Insert the sponge into the hose.
6. Reconnect the hose to the pump. Fill the hopper with water and resume pumping. Run the pump approximately half throttle. The sponge will be discharged at the end of the line followed by clear water. At this point, the pump and lines will be completely clean and ready for the next job.

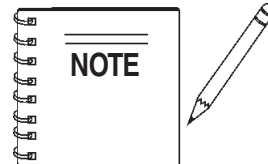


Repeat steps 1 through 6 a few times to ensure that the hose lines are thoroughly cleaned.

Lubrication Box

The C30HDZ model features a fully enclosed **lubrication box**, which utilizes the **"SPLASH"** method of lubrication.

Visually inspect the oil in the lubrication box (Figure 16) by making sure the oil is at the correct operating level as indicated by the dip stick. Also reference the oil level decal (Figure 17) adjacent to the lubrication box.



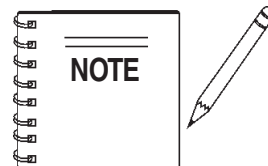
Make sure the pump is on a secure level surface when checking the oil level inside the lubrication box.

CAUTION - Checking Lubrication Oil Levels

The oil level **must** be **checked daily** to ensure adequate oil level and oil cleanliness.

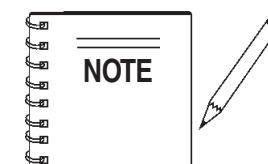
Piston Cup Wear

The **rubber piston cups** are a **natural wear** component and **will require** periodic replacement. The life of the rubber cups depends on many factors, proper oil level, oil cleanliness, abrasiveness of aggregate being pumped and material slump etc.



IMPORTANT! To ensure maximum cup life, the oil level in the lubrication box **must be** maintained at the proper level. In addition the lubrication box must be cleaned periodically.

As the rubber piston cups wear, fine cement particles will accumulate in the bottom of the lubrication box. Once this cement paste reaches 1-inch in height, it is recommended that the lubrication box be drained (flushed) and cleaned and the oil replaced with new SAE 30 motor oil.

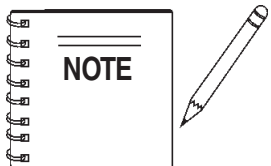


There are two clean-out ports located at the bottom of the lubrication box.

Any questions regarding the lubrication box clean-out procedure, contact the MAYCO Service Department.

Crankshaft and Cam Assembly Procedure

1. Set bearing block (P/N EM14303) into hydraulic press. Place bearing cup into bearing block and press in evenly. Bearing cup should be aligned equally on both sides of bearing block.
2. Set **crankshaft** into hydraulic press with the long end towards the top. Install spacer (P/N EM14322), O-ring (P/N EM14326) and bearing cone (P/N EM14325) onto crankshaft. Place bearing block on crankshaft until the bearing cone is riding in the bearing cup.
3. Insert bearing cone spacer (P/N EM14323) onto crankshaft and inside bearing block. Install second bearing cone until it is seated inside bearing cup.
4. Place O-ring and spacer (P/N EM14302) on crankshaft. Set cam weldment on top of spacer. Install crankshaft key and cam key on cam bushing (P/N EM14301).
5. Slide cam bushing down crankshaft and align the bushing, cam and crankshaft. Install sleeve over crankshaft and align with hydraulic press. Install cam bushing bolts loosely. Press bushing down onto bearing assembly. Leaving pressure on the bushing, tighten cam bolts evenly to 40-50 foot pounds.
6. Release pressure on the bushing, reapply pressure to bushing and tighten bolts evenly to 40-50 foot pounds. Repeat procedure 3 to 4 times.
7. After bushing has been fitted tightly into cam, remove from hydraulic press. Remove one bolt at a time, using Loctite, install bolts and torque to 65-70 foot pounds. Counter sink set screw hole and install dog point set screw and second set screw both with Loctite™.
8. Place cam bearing onto crankshaft keeping bearing loose.



Make sure the eccentric lock is facing toward the outside of the pumping unit.

9. Set crankshaft assembly into the pump box and align both bearing assemblies with the pump box mountings.
10. After crankshaft assembly is securely fastened to the pump box, place sprocket (P/N EM14307) onto the cam side of the crankshaft assembly. Install bushing (P/N EM14309) into sprocket. Align sprocket with sprocket on countershafts and tighten bolts.
11. Install chain P/N EM14308. To adjust, loosen locknuts on pusher bolts and tighten chain to approximately 1/2 in. slack in the chain. Once chain is adjusted properly, tighten down locknuts.

Ball and Seat Replacement Procedure

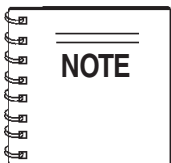
1. Remove 3"x 2" reducer and 3" elbow from the pump outlet. Remove exhaust gate and Y-manifold (secondary manifold). Check ball seat and ball stop pin for wear. If any wear is detected, the part should be replaced. Remove T-manifold (primary manifold). Check all parts for wear. Remove hopper and hopper seat and inspect.
2. Loosen the piston nuts and remove the piston cup assembly and cylinders. Inspect all parts for wear and replace parts with excessive wear. Check oiler pump for proper operation.
3. Clean all parts thoroughly, removing all foreign material and concrete slurry. Once parts are clean, install concrete cylinders. Place oiler plate O-ring in place and coat with oil. Install small O-ring on piston rod. Run oiler line through the cylinders and connect in the oiler fitting on the oiler plate.
4. Push oiler plate into cylinder. Install ring and felt holder, soak felt ring in oil, then install around felt holder in cylinder. Make sure the bronze ring is flat, then push it up flush with the ring and felt holder.
5. Coat piston cup with oil and push it into the cylinder. Install bushing into center of piston cup. Put small O-ring on rod, place face plate on rod and tighten down securely. Repeat these procedure on the opposite cylinder.
6. Thoroughly check T-manifold, ball stoppings and both steel balls for wear. Insert an O-ring in the top flange and in the leading edge of the manifold. Put the manifold onto the primary side of the pump and install bolts leaving them loose.
7. Check Y-manifold for wear, install all O-rings, ball stop pin, ball and seat. Align and install Y-manifold to T-manifold and cylinder assembly. Tighten Y-manifold bolts first before tightening T-manifold bolts. After manifolds are tight, check O-rings for slippage.
8. Insert seat into frame hole directly above the T-manifold. The seat orifice should fit inside the frame itself, then the seat sits on top of the orifice. On the dura-seat, set the big end of the seat in the frame. The seat, or the small part of the dura-seat, fits into the bottom of the hopper.
9. After tightening the manifold bolts and inserting the seats in place, set the hopper over the seat and align the bolt holes. Tighten bolts, check O-ring and seat for alignment.
10. Check exhaust gate for wear, install and align gate onto Y-manifold. Insert O-ring into exhaust gate flange and close gate. Lock down lever and adjust clamp arm.
11. Install 3 in. elbow and 3x 2 in. reducer. Fill hopper half full and check for leaks.

Clutch Lining Replacement (For P/N EM14320 Clutch Assembly Only)

The normal lining thickness measures 3/16 of an inch. If the clutch starts to slip or make an usual noise, it may be necessary to replace the lining. Please note that the lining retaining rivets **should not be exposed** to the rotating weight.

The following procedure will assist you in replacing the lining.

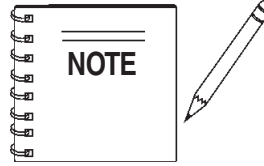
1. Remove worn out lining and rivets. Check clutch springs and flyweights for wear.
2. Cut 1/8 in. off of each end of clutch lining. Slide lining into place. Insert one rivet into clutch lining hole. (Make sure rivet goes from inside out.) Wedge a flathead screwdriver between clutch flyweight and rivet head.
3. Adjust screwdriver so that the rivet sticks out from the clutch housing approximately 1/8 of an inch. With a flat punch, pen the ends on the rivet so that it locks in place with the clutch housing. Repeat this procedure for all remaining clutch rivets.



The clutch lining is a normal maintenance item and will require periodic replacement.

Bearing Installation

1. Install the bearing components on the crankshaft making full contact with the back side of the crank disc as indicated the symbol #. See Figure 25 below.
2. Install the bushing in the cam weldment and slide it onto the crankshaft until contact is made with the bearing spacer.
3. Tighten the 3 **allen head bolts** "A" while exerting pressure on the bushing towards the bearing spacer.



It is important that the **Bearing Assembly** is installed properly.

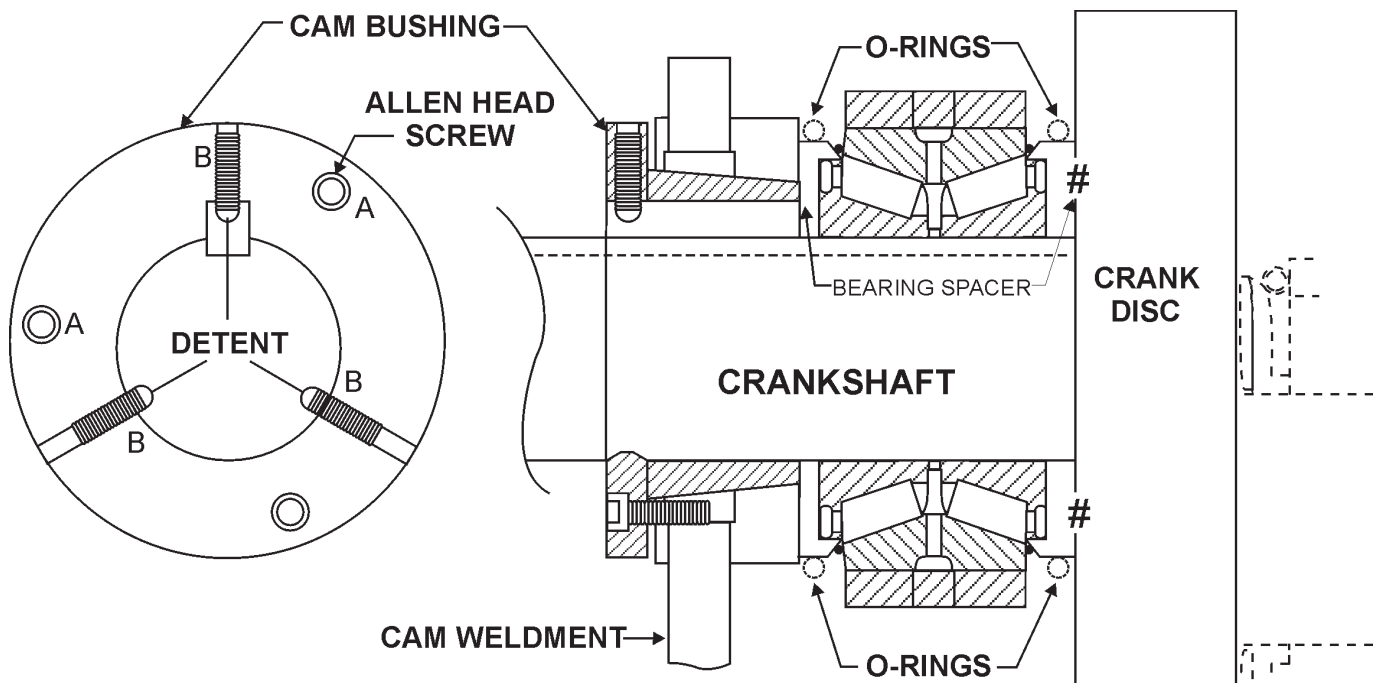
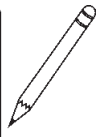
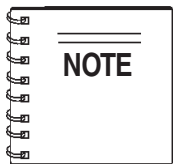


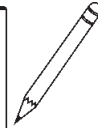
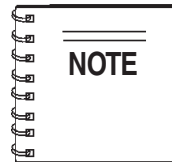
Figure 25. Bearing/Cam Bushing Installation

Detent Hole (3) Installation

1. After the bearing assembly has been installed, remove the three "dog type" allen head set screws (B) to allow detents to be drilled. See Figure 26 below.



The detent holes will prevent the bushing from sliding away from the bearing spacer when the pump is under load.



Position the 'O' ring on the O.D. of the bearing spacer during assembly to assure proper bearing adjustment.

2. Use a 9/32" drill to "detent" half (minimum 1/8" deep). Then "chase" the threads with a 3/8-16 bottom tap and blow out the chips after drilling, to be certain that the "dog type" allen set screws bottom in the detents to prevent the taper bushing from sliding laterally.
3. If this procedure is not followed closely the heavy loading of the bearing during pumping operation causes the Timken™ cone bearings to create lateral forces which will move the taper bushing and allow the Timken™ cone bearings to separate from the race and subsequently fail.
4. Drill (detent) the shaft under the allen set screws "B" to prevent the bushing from the sliding away from the bearing spacer when the pump is under a load.

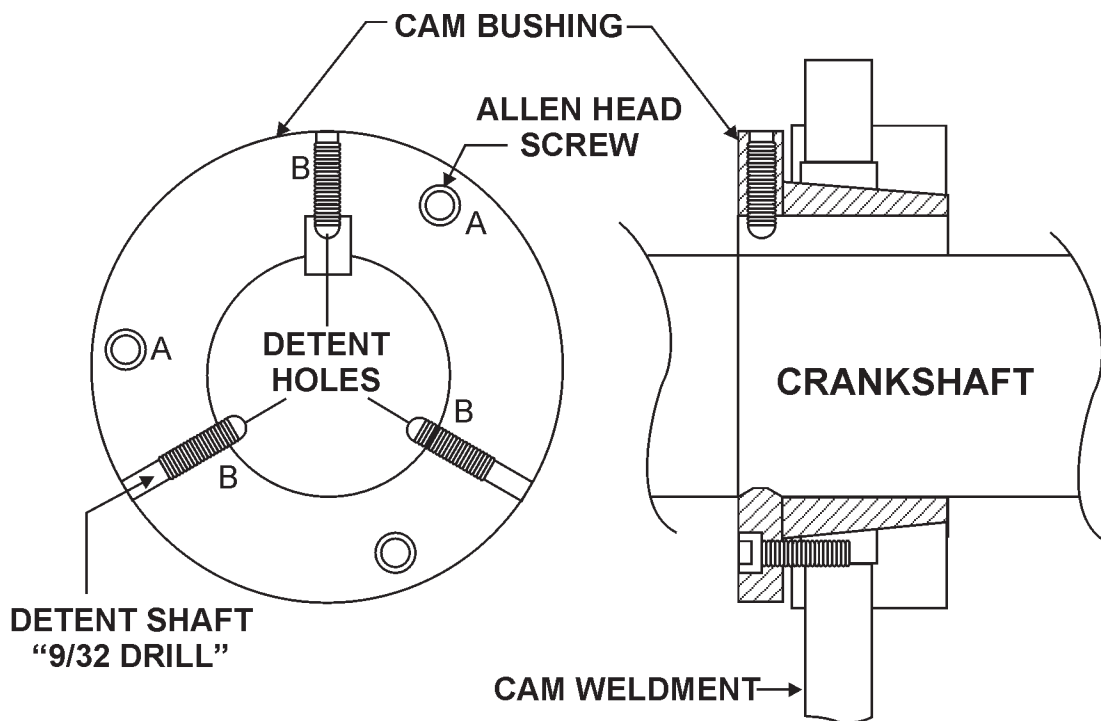


Figure 26. Detent Holes

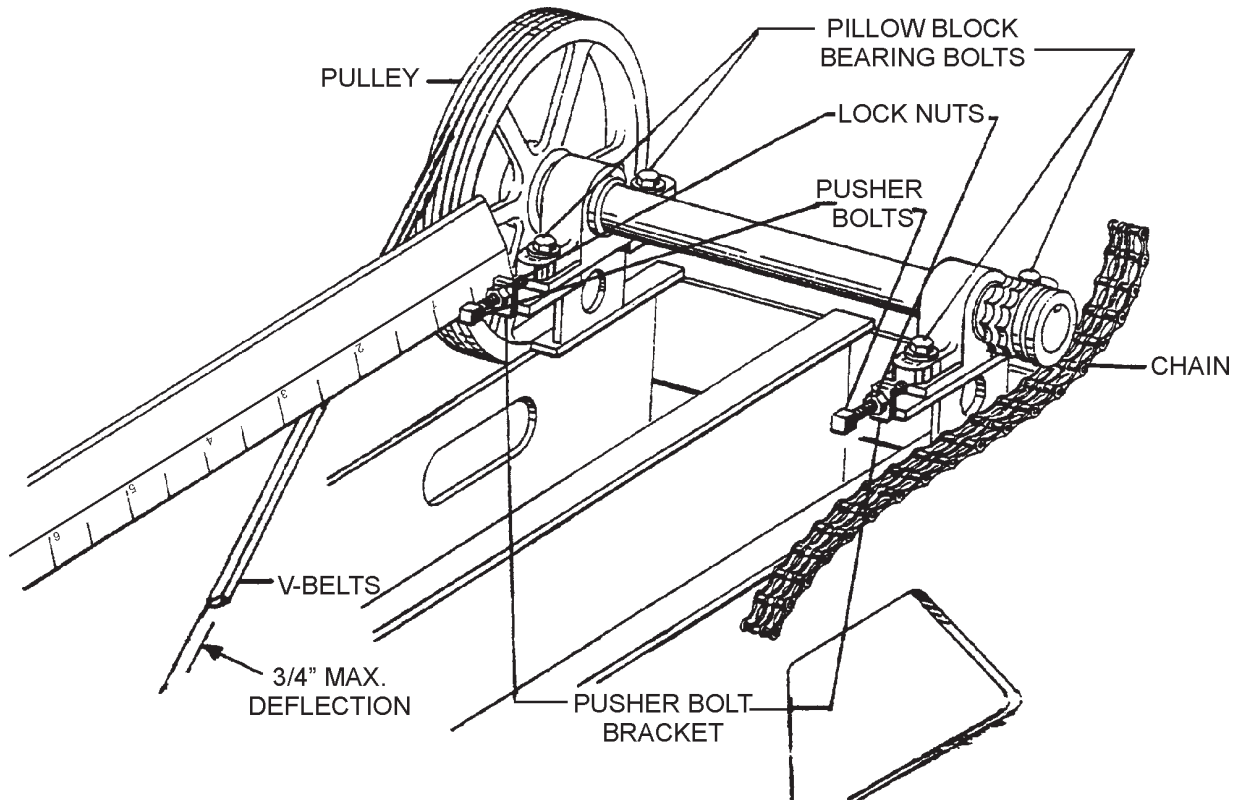
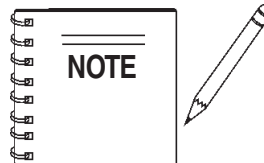


Figure 27. V-Belt and Drive Chain Adjustment

V-Belt And Drive Chain Adjustment

1. Loosen the pillow bearing bolts (Figure 27) only to the point where the bolts will remain snug.
2. Unlock the two pusher bolt lock nuts.
3. Turn each pusher bolt clockwise an equal amount until the chain is to proper adjustment of approximately 3/8 to 1/2 in. slack in the chain. It is very important that the pulley side and the chain side (pillow block bearings) are within 1/16" of an equal distance.
4. This distance can be checked by using a tape measure or a straight edge ruler, measuring from the inside of the pusher bolt bracket to the face of the pillow block bearing.
5. The drive chain should be adjusted regularly to remove all slack. Once all slack is removed, **DO NOT** over-adjust, as this will overload the shaft bearings. A slack chain on the crank drive creates backlash and shock loads on the shafts and bearings which results in shorter wear/life of the drive components.
6. Lubricate the chain regularly. Note-it is advisable to carry a spare chain and master links for replacement in the field if necessary.
7. Drive belts should be regularly adjusted to prevent slippage. To adjust the belts, loosen the engine mounting bolts and move the engine until there is a maximum 3/4 in. deflection in the belts, retighten the engine mounting bolts.
8. Frequent inspections should be made on all drive components to make certain that all bolts and nuts remain tight.



Prior to adjusting the chain, place the lobe of the cam in the down position. The chain should have 83 rivets, including one each, half-link and full link.

Roller Chain Application

A properly selected, installed and maintained **drive chain** (Figure 28) is an extremely versatile means of power transmission. It is possible, however, to greatly reduce a chain's life and even induce failure if the chain is abused through improper installation, operating or maintenance procedures. In certain applications, failure can lead to personal injury or property damage.

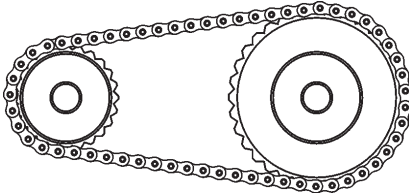


Figure 28. Drive Chain

Recommendations and comments on how to get the most from your roller chain drive are given in this section. The drive chain used in the MAYCO C30HDZ pump is manufactured by the "DIAMOND CHAIN COMPANY™"

Working Loads

UTS-Ultimate Tensile Strength-is the one time pull required to break the chain. For single strand chain, the load (pull) applied to the chain in service should never exceed 1/6th of the UTS for the chain being used except as noted below.

It is possible to exceed the allowable working loads for a limited number of cycles, but you should contact Diamond Chain Company before this is considered. **A roller chain should never be loaded above 50% of UTS for even one cycle. To do so will damage the chain structure and reduce its capacity.**

The UTS or one time breaking load of multiple strand chain is the UTS of a single strand chain times the number of strands; i.e., two strand chain is twice as strong as single.

When allowable working loads are considered, however, the capacity of each strand in a multiple strand chain is only 65% of the single strand rating; thus, three-strand chain would rate not three times single but only 1.95 times. This is because the chain load cannot be exactly distributed across all three strands of the three-strand chain.

Installation and Drive Alignment

Chain and sprockets (Figure 29) must be installed correctly. Sprockets must be properly aligned and sprocket shafts must be parallel so the drive will run in a plane perpendicular to them. Axial alignment should be checked with a straight edge which will extend across the finished sides of the sprockets. They should be true-running with minimum wobble and eccentricity. The higher the drive speed, the more important these details become.

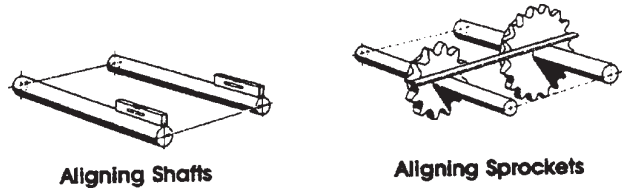


Figure 29. Shaft and Drive Sprocket Alignment

The chain should be installed so the slack span is properly tensioned. To check chain tension (Figure 30), turn one sprocket to tighten the upper span of the chain while holding the other sprocket fixed. The lack span should have 4-6% of span length in the mid-span movement for horizontal drives and 2-3% for vertical drives.

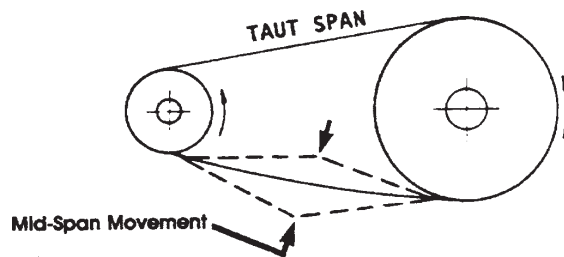


Figure 30. Drive Chain Tension

A roller chain's capacity can be significantly reduced if it is twisted or bent sideways in the direction of the pin axis. Exercise particular care in alignment of hoist or other applications where loads are suspended near personnel.

Drive Chain Lubrication

As a chain articulates in entering and leaving a sprocket, there is relative movement between pin and bushing surfaces. These surfaces wear causing chain elongation. If a lubricant film can be maintained between the pin and bushing, the wear rate is very slow and the chain wear life very long. Maintaining the oil film is relatively simple at low speeds but becomes increasingly difficult as the speed increases.

It is recognized that good lubrication is not possible in many applications, so shorter wear life must be accepted in these situations.

In general, chain wear leads to rough or unsatisfactory service prior to actual chain breakage. Good lubrication can help to prevent chain failure by providing protection against rust or corrosion. Rusting can allow pits to form in the surfaces of the chain parts causing stress concentration points. This can lead to chain failure at relatively low loads.

The clearance between pin and bushings is very small (Figure 31), on the order of .003 to .005 inches. A lubricant must be thin enough to flow into the chain. SAE 30 weight oil is about right for room temperature. Lighter oil should be used for lower ambients and heavier for higher operating temperatures. Grease should not be used as it cannot penetrate chain clearances.

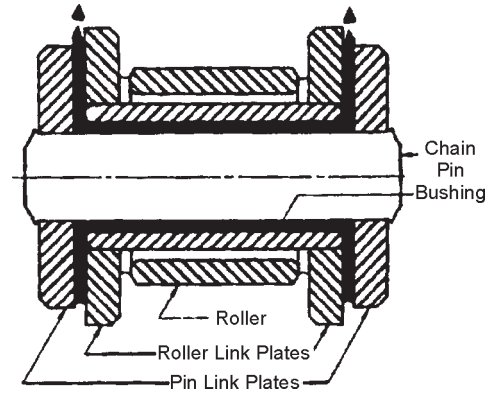


Figure 31. Chain-Link Cross Section

Assembling and Disassembling Drive Chain

CAUTION - DRIVE CHAIN SAFETY

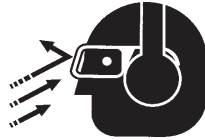
You may be **seriously injured** if you attempt to install the drive chain while the pump is running. Turn **OFF** the engine and lock out gears and sprockets before attempting installation.

Once installed, the drive chain must be guarded to prevent personal injury or property damage in the event the chain separates during operation. **NEVER** run pump with drive chain guard removed.

CAUTION - Eyesight Hazard

The components of the drive chain are hardened parts. Striking these parts may cause metal chips to break off from the chain or the tools used resulting in personal injury.

During all stages of chain disassembly and assembly, wear **safety glasses** to prevent metal parts or chips from entering your eyes and have personnel in the immediate area do likewise.



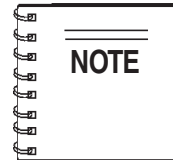
Chain-Link Pin Removal

1. If chain is of cotter pin- type construction, remove cotters.
2. If chain is riveted type construction, grind pin heads off so pin ends are flush with the linkplate.
3. Drive pins out of linkplate using a Diamond pin extractor Model P/N 113 or 135. Some multiple strand chains or large pitch models will require a hammer and punch or a press to remove the pins.

Installation Of Coversides

Diamond Chain coversides are manufactured three different ways:

- Slip Fit
- Modified Press Fit
- Full Press Fit



Modified and **Full Press Fits** require some patience and tools to assemble and/or disassemble. Use vice grips, plumbers pliers or a small hammer to drive coversides onto pins.

Installation of Spring Locks and Cotter-Pins

After coversides have been installed, install spring locks or cotters (depending on chain design). Avoid using bent or worn cotters or spring locks. After spring locks (or cotters) are installed, lightly tap pin ends to position these parts snug against the coverside for additional support.

Tips To Remember

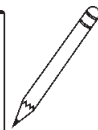
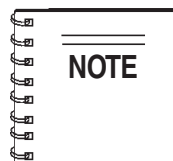
- Chain will break if misused or abused
- Serious injury or property damage can result if chain is installed incorrectly.
- Select, install, guard and maintain chain in accordance with equipment manufacturer and "Diamond Chain Company's" recommendations.
- Read chain assembly instructions before attempting to install chain on pump sprocket wheel.
- Knowing more about how the chain is constructed may help in assembly and disassembly. Further information may be obtained by calling or writing Diamond Chain Company™.

ENGINE TROUBLESHOOTING

Practically all breakdowns can be prevented by proper handling and maintenance inspections, but in the event of a breakdown, please take a remedial action following the diagnosis based on the Engine Troubleshooting (Table 6) information shown below and on the proceeding page. If the problem cannot be remedied, please leave the unit just as it is and consult our company's business office or service plant.

TABLE 6. ENGINE TROUBLESHOOTING

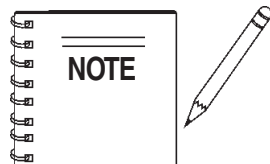
| SYMPTON | POSSIBLE PROBLEM | SOLUTION |
|--|--|---|
| Engine will not start or start is delayed, although engine can be turned over. | Speed control lever is in "STOP" position? | Set speed control lever to "START" position. |
| | Defective fuel pump? | Replace fuel pump. |
| | Fuel filter clogged? | Replace fuel filter and clean tank. |
| | Faulty fuel supply line? | Replace or repair fuel line. |
| | Compression too low? | Check piston, cylinder and valves. Adjust or repair per engine repair manual. |
| | Oil pressure too low? | Check engine oil pressure. |
| | Low starting temperature limit exceeded | Comply with cold starting instructions and proper oil viscosity. |
| | Defective battery? | Charge or replace battery. |
| At low temperatures engine will not start. | Engine oil too thick? | Refill engine crankcase with correct type of oil for winter environment. |
| | Defective battery? | Replace battery. |
| Engine fires but stops soon as starter is switched off. | Throttle lever in STOP position? | Reposition throttle lever to RUN position. |
| | Fuel filter blocked? | Replace fuel filter. |
| | Fuel supply blocked? | Check the entire fuel system. |
| | Electrical problem at fuel solenoid? | Repair using #7 wire. |
| Engine stops by itself during normal operation. | Fuel tank empty? | Add fuel. |
| | Fuel filter blocked? | Replace fuel filter. |
| | Defective fuel pump? | Replace fuel pump. |
| | Mechanical oil pressure shutdown sensor stops the engine due to low oil? | Add oil. Replace low oil shutdown sensor if necessary. |



For more detail troubleshooting methods, refer to **NISSAN** Operation and Maintenance manual supplied with your pump.

TABLE 6. ENGINE TROUBLESHOOTING (CONTINUED)

| SYMPTON | POSSIBLE PROBLEM | SOLUTION |
|---|----------------------------------|---|
| Low engine power, output and speed. | Fuel tank empty? | Replace fuel filter. |
| | Fuel filter clogged? | Replace fuel filter. |
| | Fuel tank venting is inadequate? | Ensure that tank is adequately vented. |
| | Leaks at pipe unions? | Check threaded pipe unions tape and tighten unions as required. |
| | Engine oil level too full? | Correct engine oil level? |
| Low engine power output and low speed, black exhaust smoke. | Air filter blocked? | Clean or replace air filter. |
| | Incorrect valve clearances? | Adjust valves per engine specification. |
| Overheating | Insufficient coolant? | Replenish. |
| | Loose fan belt? | Adjust fan belt. |
| | Worn or oiled belt? | Replace belt. |
| | Inoperative thermostat? | Replace thermostat. |
| | Worn water pump? | Replace water pump. |
| | Clogged or leaky radiator? | Flush, repair or replace radiator. |
| | Faulty radiator filler cap? | Replace radiator cap. |
| | Air in cooling system? | Retighten each part of cooling system. |
| | Incorrect engine timing? | Adjust timing. |
| | Improper governor adjustment? | Adjust governor to the specified conditions. |



For more detail troubleshooting methods, refer to **NISSAN** Operation and Maintenance manual supplied with your pump.

WIRING DIAGRAM

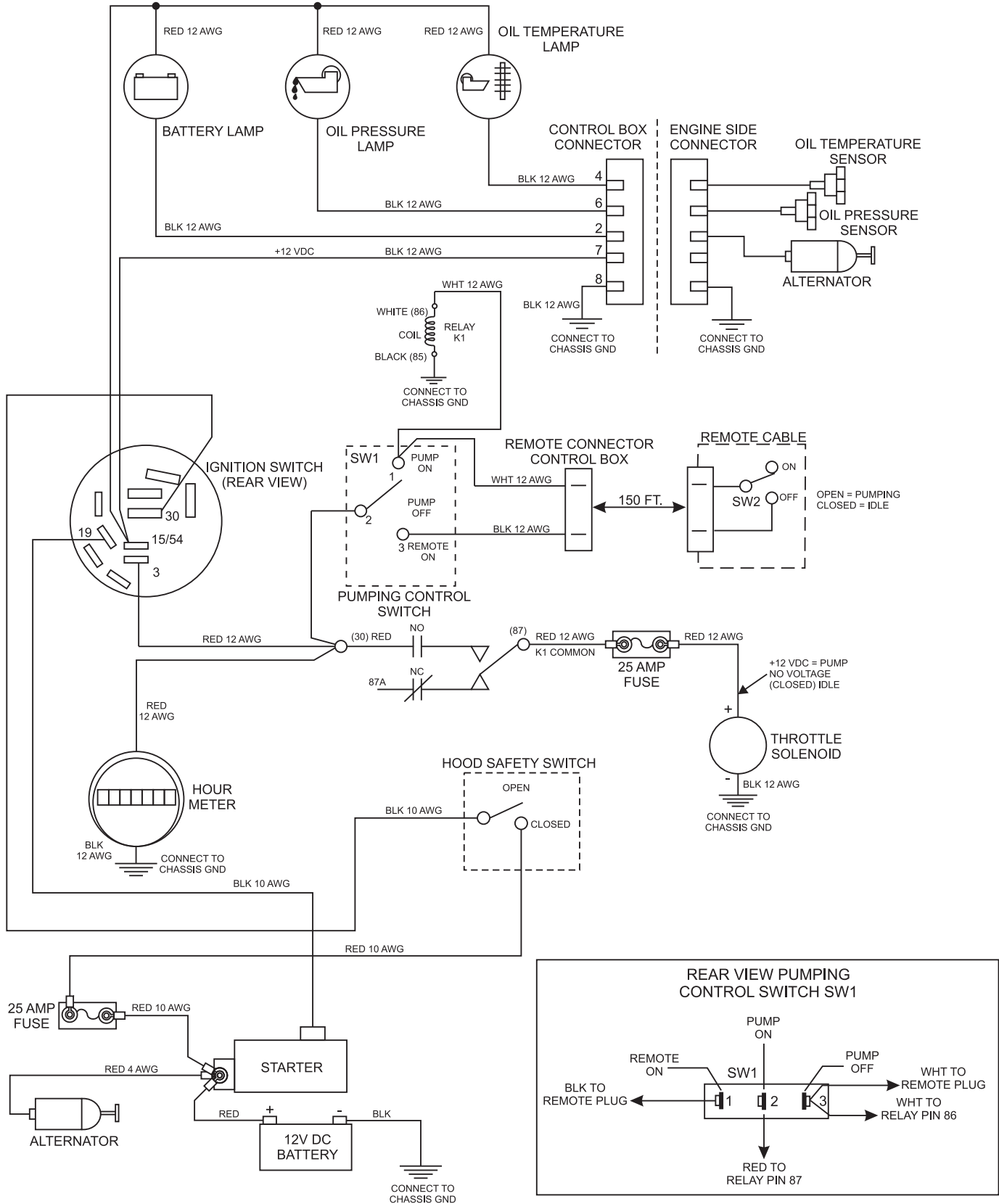


Figure 32. Wiring Diagram

WIRING DIAGRAM (TAIL LIGHTS)

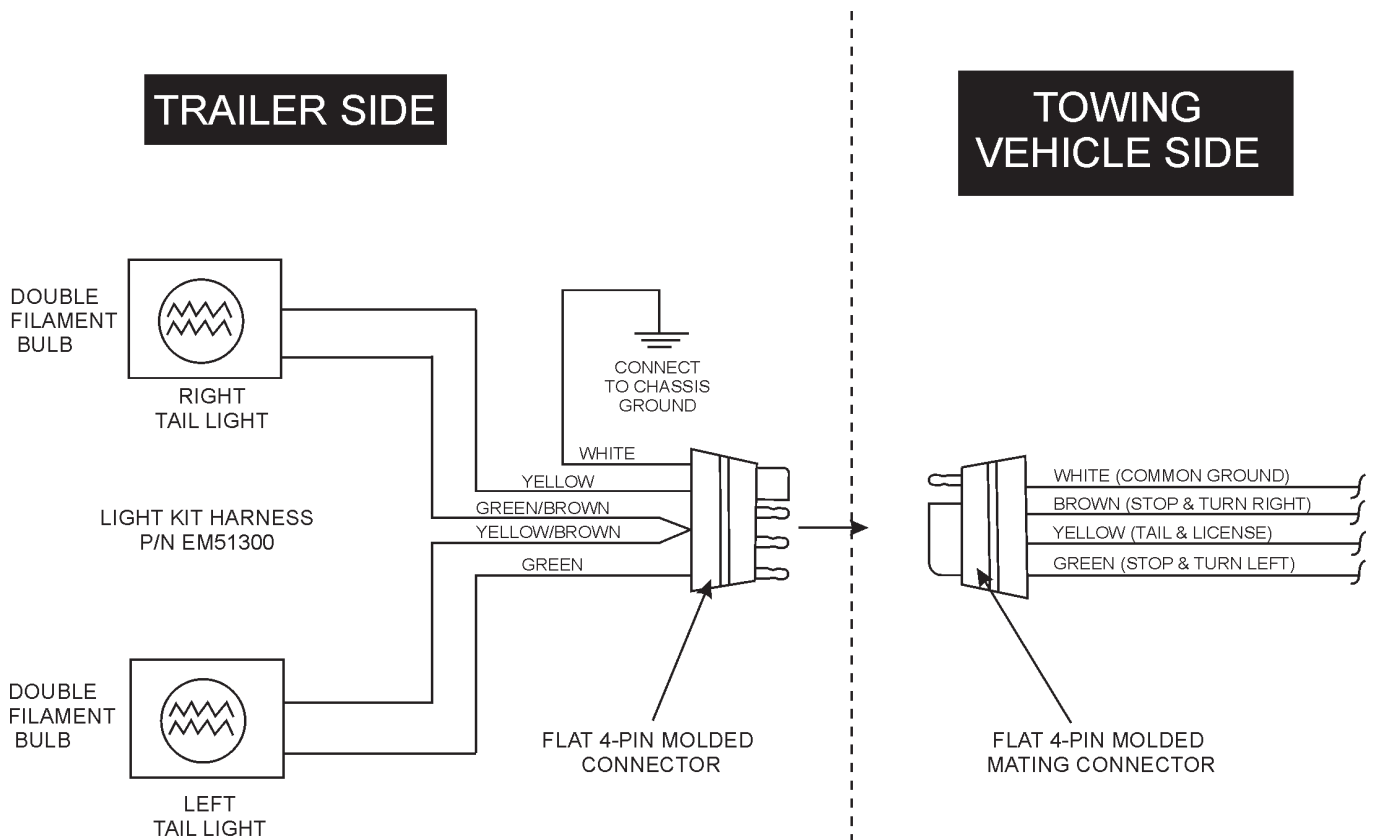


Figure 33. Trailer Tail Lights Wiring Diagram

APPENDIX — SLUMP TEST PROCEDURE

1. To obtain a representative sample (concrete), take several samples at three or more regular intervals throughout the discharge of the mixer or truck. **DO NOT** take samples at the beginning or end of the discharge.
2. Dampen the inside of the cone and place it on a smooth, moist, nonabsorbent, level surface large enough to accommodate both the slumped concrete and the slump cone. Stand on the "foot pieces" throughout the test procedure to hold the cone firmly in place.
3. Fill the cone 1/3 full by volume (Figure 34-A) and rod 25 times with a 1/2" dia x 24" lg. bullet-pointed steel rod. (This is a specific requirement which will produce non-standard results unless followed exactly.) Distribute rodding evenly over the entire cross section of the sample.
4. Fill cone another 1/3 (Figure 34-B) which will make the cone 2/3 full by volume. Rod this second layer 25 times with the rod penetrating into, but not through, the first layer. Distribute rodding evenly over the entire cross section of the layer.
5. Fill cone to overflowing (Figure 34-C). Rod this layer 25 times with rod penetrating into but not through, the second layer. Distribute rodding evenly over the entire cross section of this layer.
6. Remove the excess concrete (Figure 34-D) from the top of the cone, using the tamping rod as a screed.
7. Lift the cone vertically (Figure 34-E) with a slow even motion. **DO NOT** jar the concrete or tilt the cone during this process. (Invert the withdrawn cone, and place it next to, but not touching the slumped concrete.
8. Lay a straight edge (Figure 34-F) across the top of the slumped cone. Measure the amount of slump in inches from the bottom of the straight edge to the top of the slumped concrete at a point over the original center of the base. The slump operation must be complete in a maximum elapsed time of 1-1/2 minutes. Discard the concrete. **DO NOT** use it in any other tests.

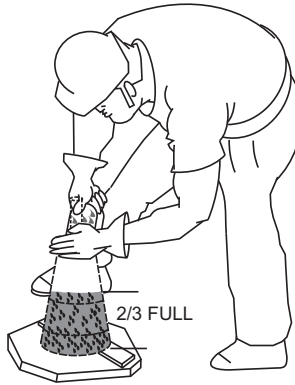


Figure 34-B. Slump Test (2/3 Full)

Figure 34-C. Slump Test (Full-Overflow)

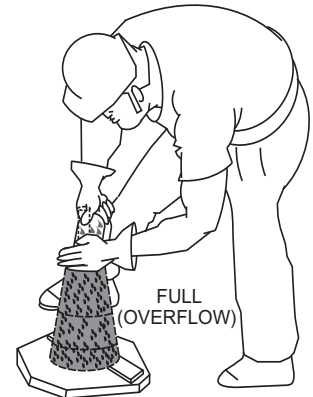


Figure 34-D. Slump Test (Removing Excess Concrete)

Figure 34-E. Slump Test (Cone Invert)

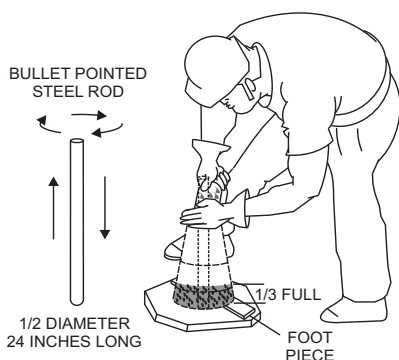
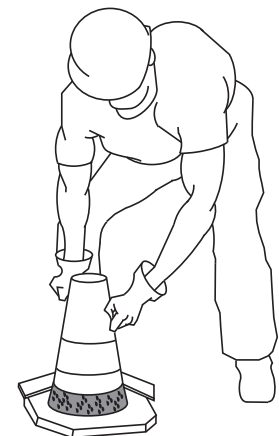


Figure 34-A. Slump Test (1/3 Full)



Figure 34-F. Slump Test (Measurement)

APPENDIX — CONCRETE MIX INFORMATION

The following information has been extracted from actual testing laboratory reports. The purpose of this printing is only to help create a better understanding of the importance of uniform gradation and proportioning of materials which affect pumpability of concrete mixes. These weights and proportions illustrate that when the sieve analysis is ideal, the sand/rock ratio can be adjusted (65% sand 35% rock) and pumpability should be excellent.

EXAMPLE #1 (A California Test Lab. Report)

JOB: Building Foundations (Water Project)

| | |
|------------------------|--|
| Sacks per cu./yd. | 6.5 designed for 2,500 lbs. in 28 days |
| Gallons per sack | 7.1 |
| Washed Sand-#200 wash | 1.3 |
| Organic matter-OK | |
| Specific gravity (SSD) | Sand-2.58; Pea Gravel-2.60 |

Sieve analysis-percent passing

| Material | 1.5" | 1" | 3/4" | 3/8" | #4 | #8 | #16 | #30 | #50 | #100 | #200 |
|------------|------|----|------|------|------|------|------|------|------|------|------|
| W.C. Sand | | | | 100 | 99.7 | 79.1 | 60.4 | 36.5 | 14.3 | 4.0 | 1.1 |
| Pea Gravel | | | | 100 | 3.0 | | | | | | |
| % Comb. | | | | 100 | 66 | 51 | 39 | 23 | 9 | 3 | 1.0 |

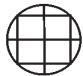











DESIGN FOR ONE YARD OF CONCRETE (SATURATED & SURFACE DRY):

| | |
|---|---------------|
| Absolute volume of aggregate in one cu. yard: | 17.78 cu. ft. |
| Specific gravity of aggregates in one cu. yard: | 2.58 |
| Weight of aggregates in one cu. yard batch: | 2850 lbs. |

| | <u>%</u> | <u>BATCH</u> | <u>SPEC. GRAVITY</u> | <u>ABS. VOL.</u> |
|----------------|----------|--|----------------------|------------------|
| W.C. Sand | 65 | 1800 | 2.58 | 11.56 |
| PEA GRAVEL | 35 | 1000 | 2.60 | 6.22 |
| WATER 46 gal. | | 1 | | |
| CEMENT 6.5 sk. | | 611 | | |
| TOTAL | | | | 27.00 |
| ADMIXTURE: | | None | | |
| SLUMP | | 4" | | |
| REMARKS | | This mix designed for pumping | | |
| NOTE: | | Due to the availability of well-graded sand as shown in the above sieve analysis, this mix pumped very successfully. | | |

APPENDIX — CONCRETE MIX INFORMATION

A.S.T.M. STANDARD SPECIFICATION FOR GRADING AGGREGATE

| SCREEN TYPE | U.S. | METRIC | PERCENTAGE PASSING BY WEIGHT |
|--|---------------|----------|------------------------------|
| FINE AGGREGATE: Referred to as washed concrete sand. | | | |
| 3/8"  | 3/8" | 9.50 mm | 100% |
| #4  | 4,760 microns | 4.76 mm | 95 to 100% |
| #8  | 2,380 microns | 2.38 mm | 80 to 100% |
| #16  | 1,190 microns | 1.19 mm | 50 to 85% |
| #30  | 590 microns | .59 mm | 50 to 85 % |
| #50  | 297 microns | 297µm | 10 to 30% |
| #100  | 149 microns | 149µm | 2 to 10% |
| 3/8 (9.51 mm) PEA GRAVEL AGGREGATE: Referenced to as #4 Rock or Gravel or 1/2" minus (12.7 mm) size | | | |
| 1/2"  | 1/2" | 12.70 mm | 100% |
| 3/8"  | 3/8" | 9.51 mm | 85 to 100% |
| #4  | 4,760 microns | 4.76 mm | 10 to 30% |
| #8  | 2,380 micron | 2.38 mm | 0 to 10% |
| #16  | 1,190 microns | 1.19 mm | 0 to 5% |

APPENDIX — CONCRETE MIX INFORMATION

Consolidated Rock Products Co., Division of Tests

3/8" Pea Gravel STANDARD PUMP MIXES (one-half inch minus)

NOTE: All weights shown are one cubic yard with S.S.D. aggregates.

| | | | | | | | |
|------------------------|-----------------------|-------|-----------------------|-------|-----------------------|-------|-----------------------|
| CRP Mix Number | 6004 | | 6005 | | 6006 | | 6007 |
| Design Slump (in.) | 6" (15 cm) | | 6" (15 cm) | | 6" (15 cm) | | 6" (15 cm) |
| Cement, SACK. | 7.0 | | 7.0 | | 7.0 | | 7.0 |
| Cement, Lbs. | 658 (298 kg) | | 658 (298 kg) | | 658 (298 kg) | | 658 (298 kg) |
| w/Con Sand (1 lb.) | 2031 (920 kg) | | 2982 (943 kg) | | 1879 (851 kg) | | 1943 (880 kg) |
| Gravel #4(9.51 mm) | 677 (307 kg) | | 693 (314 kg) | | 806 (365 kg) | | 832 (377 kg) |
| TOTAL AGGREGATE | 2708 (1227 kg) | | 2775 (1257 kg) | | 2685 (1216 kg) | | 2775 (1257 kg) |

ADMIXTURE

| | | | | | | | |
|-----------------------|-------------------|-------|-------------------|-------|-------------------|-------|-------------------|
| Pozzolight 311-1 lb. | 1.4 (.63 kg) | | 1.4 (.63 kg) | | 1.4 (.63 kg) | | — |
| Water, Design (gals.) | 50.0 (189 liters) | | 53.0 (200 liters) | | 50.0 (189 liters) | | 53.9 (200 liters) |
| Mater, Max. (gals.) | 50.0 (189 liters) | | 53.0 (200 liters) | | 53.0 (200 liters) | | 53.0 (200 liters) |

NOTE: Multiply above kilograms and liters by 1.308 to obtain the proportions for one cubic meter of concrete.

Consolidated Rock Products Co., Division of Tests

3/8" Pea Gravel STANDARD PUMP MIXES (one-half inch minus)

NOTE: All weights shown are one cubic yard with S.S.D. aggregates.

| | | | | | | | |
|------------------------|-----------------------|-------|-----------------------|-------|-----------------------|-------|-----------------------|
| CRP Mix Number | 6000 | | 6001 | | 6002 | | 6003 |
| Design Slump (in.) | 6" (15 cm) | | 6" (15 cm) | | 6" (15 cm) | | 6" (15 cm) |
| Cement, SACK. | 6.5 | | 6.5 | | 6.5 | | 6.5 |
| Cement, Lbs. | 611 (276 kg) | | 611 (276 kg) | | 611 (276 kg) | | 611 (276 kg) |
| w/Con Sand (1.1 lb.) | 2062 (934 kg) | | 2112 (957 kg) | | 1924 (872 kg) | | 1971 (893 kg) |
| Gravel #4 (9.51mm) | 687 (311 kg) | | 704 (319 kg) | | 825 (374 kg) | | 845 (383 kg) |
| TOTAL AGGREGATE | 2749 (1245 kg) | | 2816 (1276 kg) | | 2749 (1245 kg) | | 2816 (1276 kg) |

ADMIXTURE

| | | | | | | | |
|-----------------------|-------------------|-------|-------------------|-------|-------------------|-------|-------------------|
| Pozzolight 311-1.3lb. | 1.3 (.59 kg) | | 1.3 (.59) | | — | | — |
| Water, Design (gals.) | 50.0 (189 liters) | | 53.0 (200 liters) | | 50.0 (189 liters) | | 53.9 (200 liters) |
| Mater, Max. (gals.) | 50.0 (189 liters) | | 53.0 (200 liters) | | 53.0 (200 liters) | | 53.0 (200 liters) |

NOTE: Multiply above kilograms and liters by 1.308 to obtain the proportions for one cubic meter of concrete.

APPENDIX — RECOMMENDED SHOTCRETE SYSTEM

RECOMMENDED SHOTCRETE SYSTEM

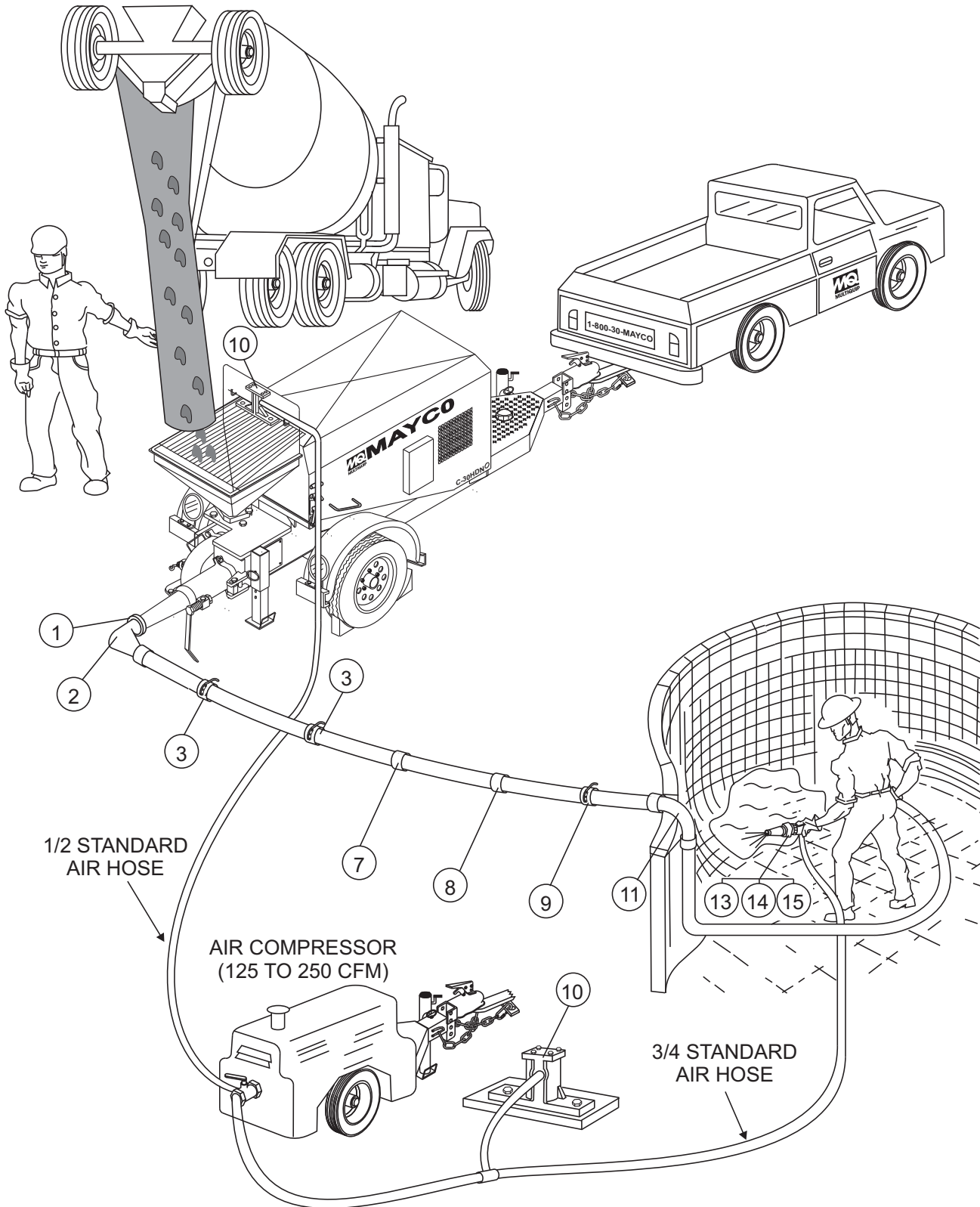


Figure 35. Shotcrete System

APPENDIX — RECOMMENDED SHOTCRETE SYSTEM

RECOMMENDED SHOTCRETE SYSTEM

| <u>NO.</u> | <u>PART NO.</u> | <u>PART NAME</u> | <u>QTY.</u> | <u>REMARKS</u> |
|------------|-----------------|--------------------------------------|-------------|----------------|
| 1 | EM28904 | 3" "B" COUPLING | | |
| 2 | EM23946 | 3"-90° ELBOW | | |
| 3 | EM28903 | 2 1/2" S/J COUPLING | | |
| 4 | EM28005DD | 3"X 2 1/2 REDUCER | | |
| 5 | EM28061 | 2 1/2"X 10FT. PIPE | | |
| 6 | EM24849 | 2 1/2"X 50FT. HOSE | | |
| 7 | EM28001DD | 2 1/2"X 2" REDUCER | | |
| 8 | EM23815D | 2 1/2"X 2" REDUCER W/AIR VIBRATOR | | |
| 9 | EM28902 | 2" S/J COUPLING | | |
| 10 | EM23101 | AIR VIBRATOR | | |
| 11 | EM28131 | 2"X 2 ELBOW | | |
| 12 | EM24841 | 2"X 25 FT. HOSE | | |
| 13 | EM23808D | NOZZLE ASSEMBLY | | |
| 14 | EM23806 | 1 3/8" NOZZLE TIP | | |
| 15 | EM23807 | 1 1/4" NOZZLE TIP | | |

General recommendations

- If the site will permit, use steel pipe from the pump to the pool perimeter. It will reduce line pressures which is highly recommended.
- The vibrator on the reducer by the pool improves pumpability.
- Turn both air vibrators off whenever the pump is stopped to prevent separation of mix.
- The air vibrators are low consumption (4.2 scfm).
- Leave the air on at the nozzle when the pump is stopped to prevent clogging of air the hoses in the air insert.
- Use item #11 (steel elbow) at the edge of the pool to prevent collapse of the rubber hose, which can cause blockage.

APPENDIX — RECOMMENDED SHOTCRETE ACCESSORIES

RECOMMENDED SHOTCRETE ACCESSORIES

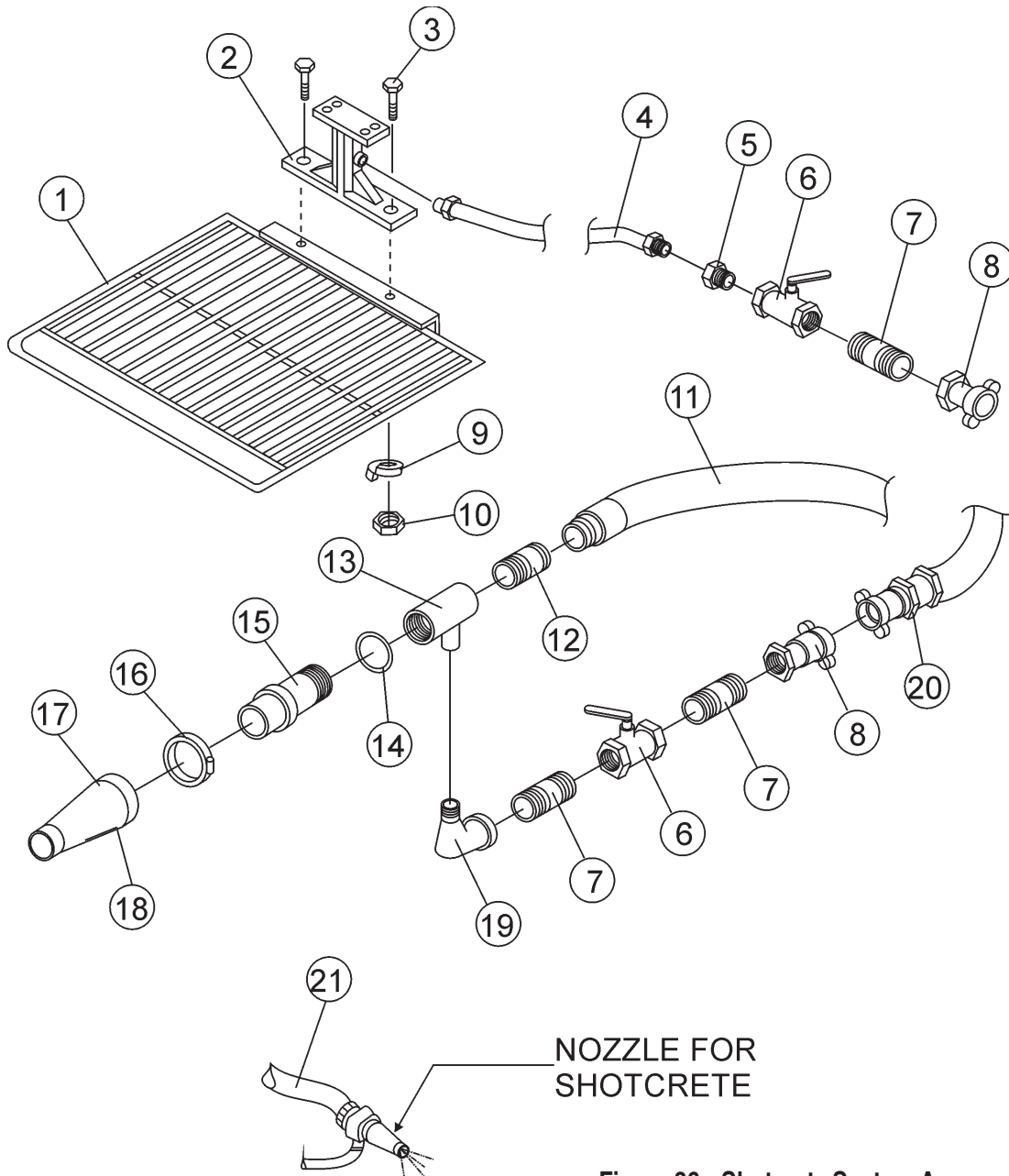
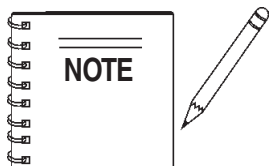


Figure 36. Shotcrete System Accessories



Use a 1-3/8" rubber nozzle tip for a wide spray pattern. Use a 1-1/4" rubber nozzle tip for a narrow spray pattern. **DO NOT INSTALL THE NOZZLE AT THE END OF THE HOSE UNTIL THE FIRST MATERIAL HAS PASSED THROUGH THE ENTIRE HOSE LENGTH.**

Disassemble and clean the nozzle assembly thoroughly after each job. Grease all threads before re-assembly. **DO NOT** close the air valve when pumping is stopped as a continued air flow keeps the air passages clean.

APPENDIX — RECOMMENDED SHOTCRETE ACCESSORIES

RECOMMENDED SHOTCRETE ACCESSORIES

| <u>NO.</u> | <u>PART NO.</u> | <u>PART NAME</u> | <u>QTY.</u> | <u>REMARKS</u> |
|------------|-----------------|-----------------------|-------------|-----------------------|
| 1 | EM26107 | HOPPER SCREEN | 1 | |
| 2 | EM231011 | AIR VIBRATOR | 1 | |
| 3 | EM132 | BOLT, 1/2-13X2 | 2 | |
| 4 | EM23407 | AIR HOSE | 1 | |
| 5 | EM23408 | BUSHING | 1 | |
| 6 | EM23411 | VALVE | 1 | |
| 7 | EM912073 | NIPPLE | 2 | |
| 8 | EM23409 | COUPLING | 1 | |
| 9 | EM923346 | WASHER, 1/2 LOCK | 2 | |
| 10 | EM406 | NUT, HEX 1/2-13 | 2 | |
| 11 | EM23818 | 2"X25' GROOVED HOSE | | |
| | EM24841 | 2"X25' RAISED HOSE | | |
| | EM23845 | 2"X50' GROOVED HOSE | | |
| 12* | EM23802 | ADAPTER | 1 | |
| 13* | EM23803 | GUN BODY | 1 | |
| 14* | EM20816 | "O" RING | 1 | |
| 15* | EM23804 | AIR INSERT | 1 | |
| 16* | EM23805 | NOZZLE CLAMP | 1 | |
| 17* | EM23806 | NOZZLE TIP, 1-3/8" | 1 | |
| 18* | EM23807 | NOZZLE TIP, 1-1/4" | 1 | |
| 19* | EM911076 | STREET ELBOW | 1 | |
| 20 | | AIR HOSE | | NOT SUPPLIED BY MAYCO |
| 21 | EM23808 | NOZZLE ASSEMBLY | 1 | INCLUDES. ITEMS W/* |

EXPLANATION OF CODE IN REMARKS COLUMN

The following section explains the different symbols and remarks used in the Parts section of this manual. Use the help numbers found on the back page of the manual if there are any questions.

NOTICE

The contents and part numbers listed in the parts section are subject to change **without notice**. Multiquip does not guarantee the availability of the parts listed.

SAMPLE PARTS LIST

| NO. | PART NO. | PART NAME | QTY. | REMARKS |
|-----|----------|---------------------|------|---------------------|
| 1 | 12345 | BOLT..... | 1 | INCLUDES ITEMS W/% |
| 2% | | WASHER, 1/4 IN..... | | NOT SOLD SEPARATELY |
| 2% | 12347 | WASHER, 3/8 IN.... | 1 | MQ-45T ONLY |
| 3 | 12348 | HOSE | A/R | MAKE LOCALLY |
| 4 | 12349 | BEARING | 1 | S/N 2345B AND ABOVE |

NO. Column

Unique Symbols — All items with same unique symbol

(@, #, +, %, or >) in the number column belong to the same assembly or kit, which is indicated by a note in the “Remarks” column.

Duplicate Item Numbers — Duplicate numbers indicate multiple part numbers, which are in effect for the same general item, such as different size saw blade guards in use or a part that has been updated on newer versions of the same machine.

NOTICE

When ordering a part that has more than one item number listed, check the remarks column for help in determining the proper part to order.

PART NO. Column

Numbers Used — Part numbers can be indicated by a number, a blank entry, or TBD.

TBD (To Be Determined) is generally used to show a part that has not been assigned a formal part number at the time of publication.

A blank entry generally indicates that the item is not sold separately or is not sold by Multiquip. Other entries will be clarified in the “Remarks” Column.

QTY. Column

Numbers Used — Item quantity can be indicated by a number, a blank entry, or A/R.

A/R (As Required) is generally used for hoses or other parts that are sold in bulk and cut to length.

A blank entry generally indicates that the item is not sold separately. Other entries will be clarified in the “Remarks” Column.

REMARKS Column

Some of the most common notes found in the “Remarks” Column are listed below. Other additional notes needed to describe the item can also be shown.

Assembly/Kit — All items on the parts list with the same unique symbol will be included when this item is purchased.

Indicated by:

“INCLUDES ITEMS W/(unique symbol)”

Serial Number Break — Used to list an effective serial number range where a particular part is used.

Indicated by:

“S/N XXXXX AND BELOW”

“S/N XXXX AND ABOVE”

“S/N XXXX TO S/N XXX”

Specific Model Number Use — Indicates that the part is used only with the specific model number or model number variant listed. It can also be used to show a part is NOT used on a specific model or model number variant.

Indicated by:

“XXXXX ONLY”

“NOT USED ON XXXX”

“Make/Obtain Locally” — Indicates that the part can be purchased at any hardware shop or made out of available items. Examples include battery cables, shims, and certain washers and nuts.

“Not Sold Separately” — Indicates that an item cannot be purchased as a separate item and is either part of an assembly/kit that can be purchased, or is not available for sale through Multiquip.

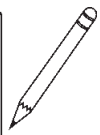
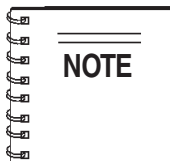
SUGGESTED SPARE PARTS

C30HDZ CONCRETE PUMP W/ SYSTEM 1 Units

| <u>P/N</u> | <u>DESCRIPTION</u> | <u>QTY.</u> |
|-------------|--------------------|-------------|
| EM14904 | PISTON CUP KITS | 6 |
| EM18804 | 4 1/2" STEEL BALL | 4 |
| EM14818 | 4" STEEL BALL | 4 |
| EM14903 | BALL STOP PIN KIT | 6 |
| EM18801 | O-RING MANIFOLD | 10 |
| EM14308 | CHAIN | 1 |
| EM26313 | HALF LINK | 2 |
| EM26314 | MASTER LINK | 2 |
| EM14334 | COMPENSATOR SPRING | 1 |
| EM14408 | BRONZE RING | 2 |
| EM903092 | CAM ROLLER BEARING | 2 |
| EM14315 | V-BELT | 2 |
| EM14842 | LOWER SEAT | 2 |
| EM14843 | UPPER SEAT | 2 |
| EM26310 | CLUTCH LINING | 2 |
| EM18409 | O-RING | 10 |
| EM20763 | FUEL FILTER | 2 |
| EM20328TKIT | BEARING KIT | 2 |
| EM28004DD | REDUCER 3" X 2" | 1 |
| EM23946 | 3" ELBOW | 1 |
| EM28904 | 3" CLAMP | 2 |
| EM289041 | 3" GASKETS | 4 |
| EM14159 | HOPPER SCREEN | 1 |

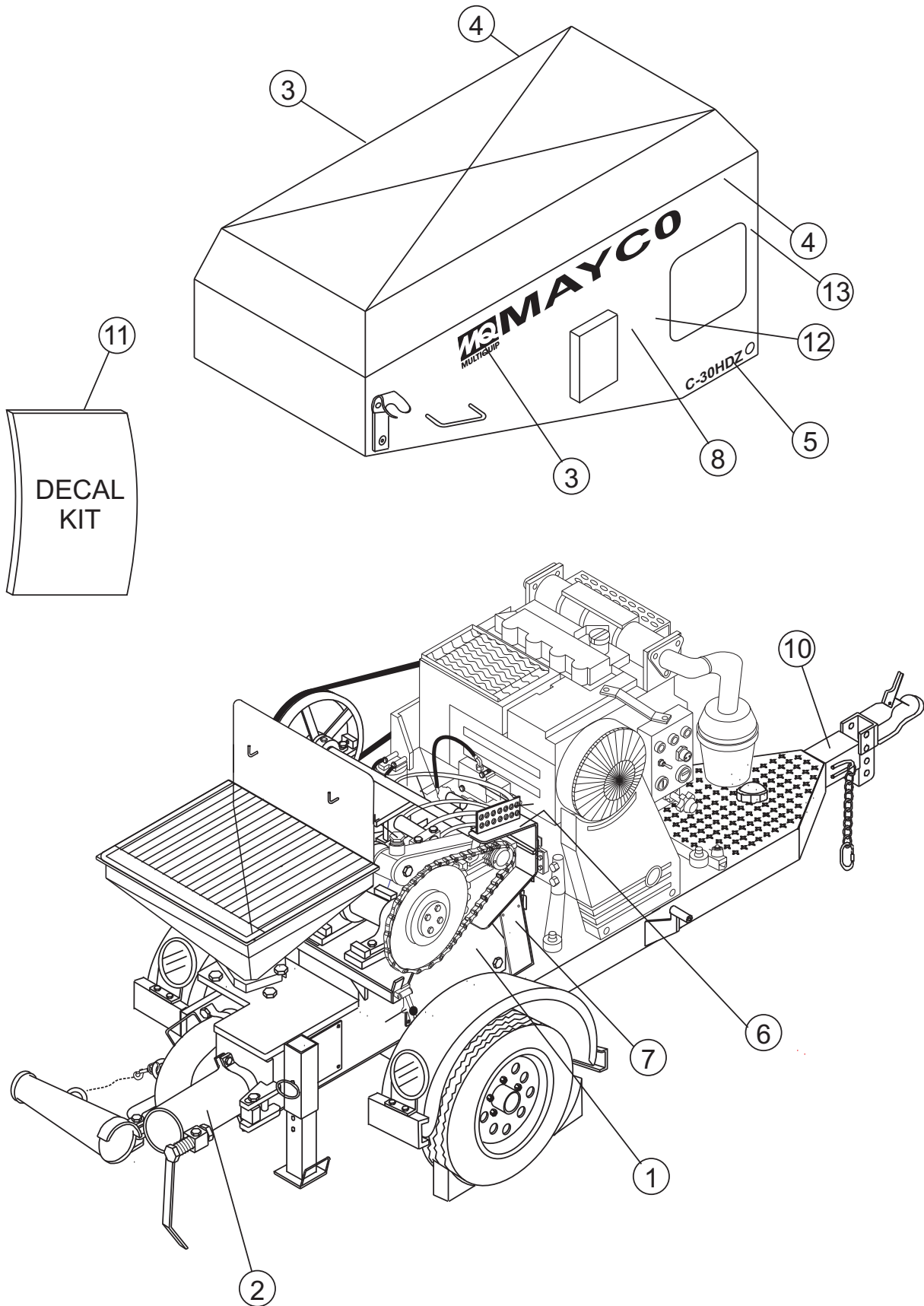
C30HDZ CONCRETE PUMP W/ SYSTEM 3 Units

| <u>P/N</u> | <u>DESCRIPTION</u> | <u>QTY.</u> |
|-------------|----------------------|-------------|
| EM14904 | PISTON CUP KITS | 10 |
| EM18804 | 4 1/2" STEEL | 10 |
| EM14818 | 4" STEEL BALL | 10 |
| EM14903 | BALL STOP PIN KITS | 12 |
| EM18801 | MANIFOLD O-RINGS | 25 |
| EM14308 | CHAINS | 3 |
| EM26313 | HALF LINK | 10 |
| EM26314 | MASTER LINK | 10 |
| EM14334 | COMPENSATOR SPRING | 2 |
| EM14408 | BRONZE RING | 4 |
| EM903092 | CAM ROLLER BEARING | 2 |
| EM14315 | V-BELT | 6 |
| EM14842 | LOWER SEAT | 6 |
| EM14843 | UPPER SEAT | 6 |
| EM26310 | CLUTCH LINING | 3 |
| EM18409 | O-RING | 20 |
| EM20763 | FUEL FILTER | 6 |
| EM20328TKIT | BEARING KIT | 2 |
| EM28004DD | REDUCER 3" x 2" | 2 |
| EM23946 | 3" ELBOW | 2 |
| EM28904 | 3" CLAMP | 4 |
| EM289041 | 3" GASKET | 10 |
| EM14159 | HOPPER SCREEN | 2 |
| EM14300 | CAM | 1 |
| EM14801 | T-MANIFOLD | 1 |
| EM14819 | Y-MANIFOLD | 1 |
| EM14335 | PISTON ROD | 2 |
| EM26788 | REMOTE SWITCH | 1 |
| EM903176 | CONN. ROD BEARING | 1 |
| EM14807 | PUMP CYLINDER | 2 |
| EM18800 | COMPENSATOR CYLINDER | 2 |
| EM14320 | CLUTCH | 1 |



Part number on this Suggested Spare Parts List may super cede/replace the P/N shown in the text pages of this book.

NAME PLATE AND DECALS



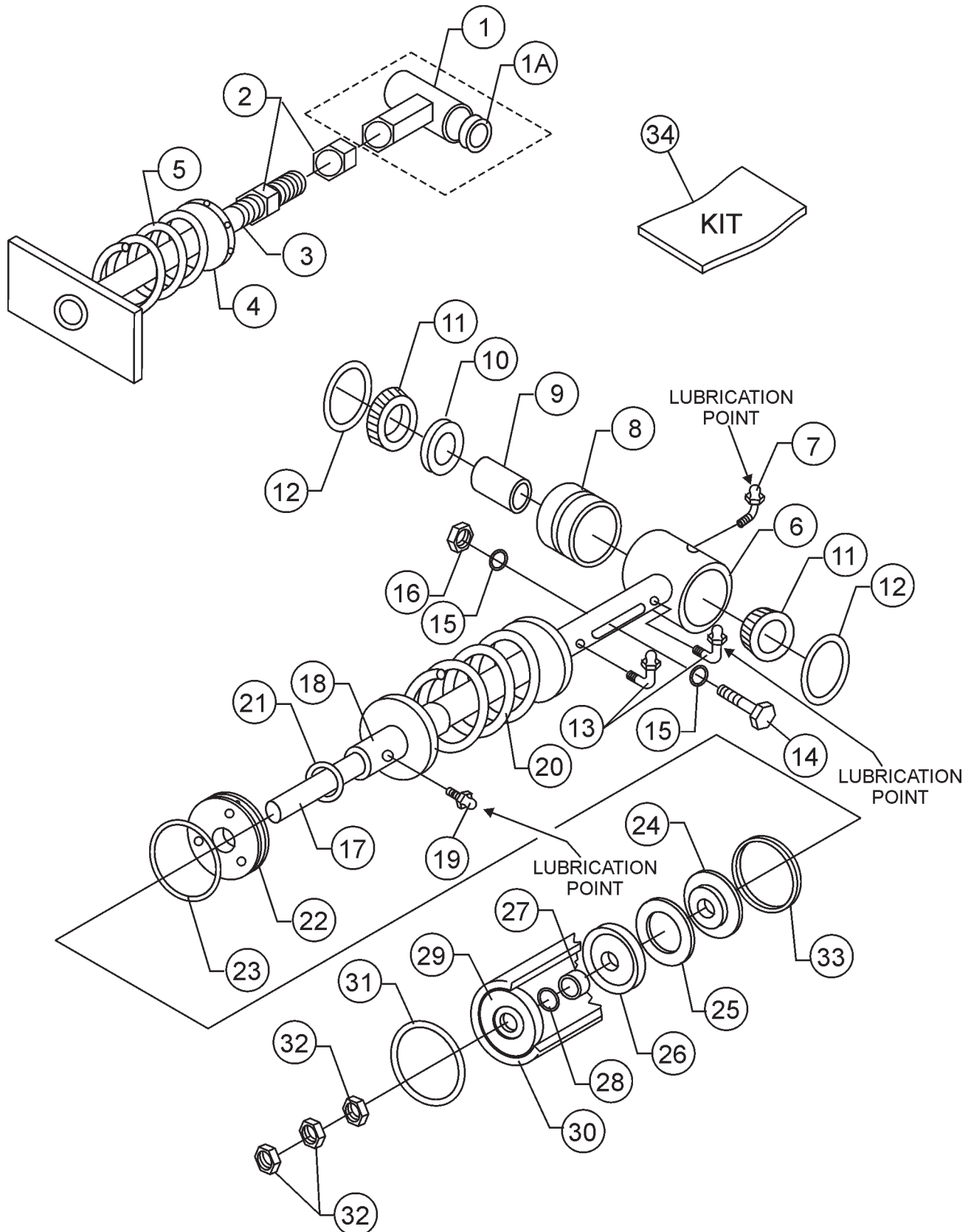
NAMEPLATE AND DECALS

NAME PLATE AND DECALS

| <u>NO</u> | <u>PART NO</u> | <u>PART NAME</u> | <u>QTY.</u> | <u>REMARKS</u> |
|-----------|----------------|----------------------------|-------------|---------------------------|
| 1* | DCL152 | DECAL, CAUTION OIL LEVEL | 1 | |
| 2* | EM932 | DECAL, CAUTION, MANIFOLD | 1 | |
| 3* | EM1028 | DECAL, MULTIQUIP MAYCO | 2 | |
| 4* | 508594 | DECAL, CAUTION READ MANUAL | 2 | |
| 5 | EM513119 | DECAL, C30HDZ | 2 | |
| 6* | EM513165 | DECAL, MAINTENANCE | 1 | |
| 7 | | DECAL, NAME PLATE | 1 | CONTACT PARTS DEPT. |
| 8* | 513163 | DECAL, CONTROL PANEL | 1 | |
| 9* | 34536 | DECAL, OWNER'S MANUAL | 1 | |
| 10* | TBD | DECAL, DIESEL FUEL ONLY | 1 | |
| 11 | DCLC30HDNIKIT | KIT, DECAL | 1 | INCLUDES ITEMS W/* |
| 12 | EM514187 | DECAL, REFER TO MANUAL | 1 | |
| 13 | 35137 | DECAL, READ MANUAL | 1 | |

COMPENSATOR PISTON ROD ASSY.

COMPENSATOR PISTON ROD ASSY.



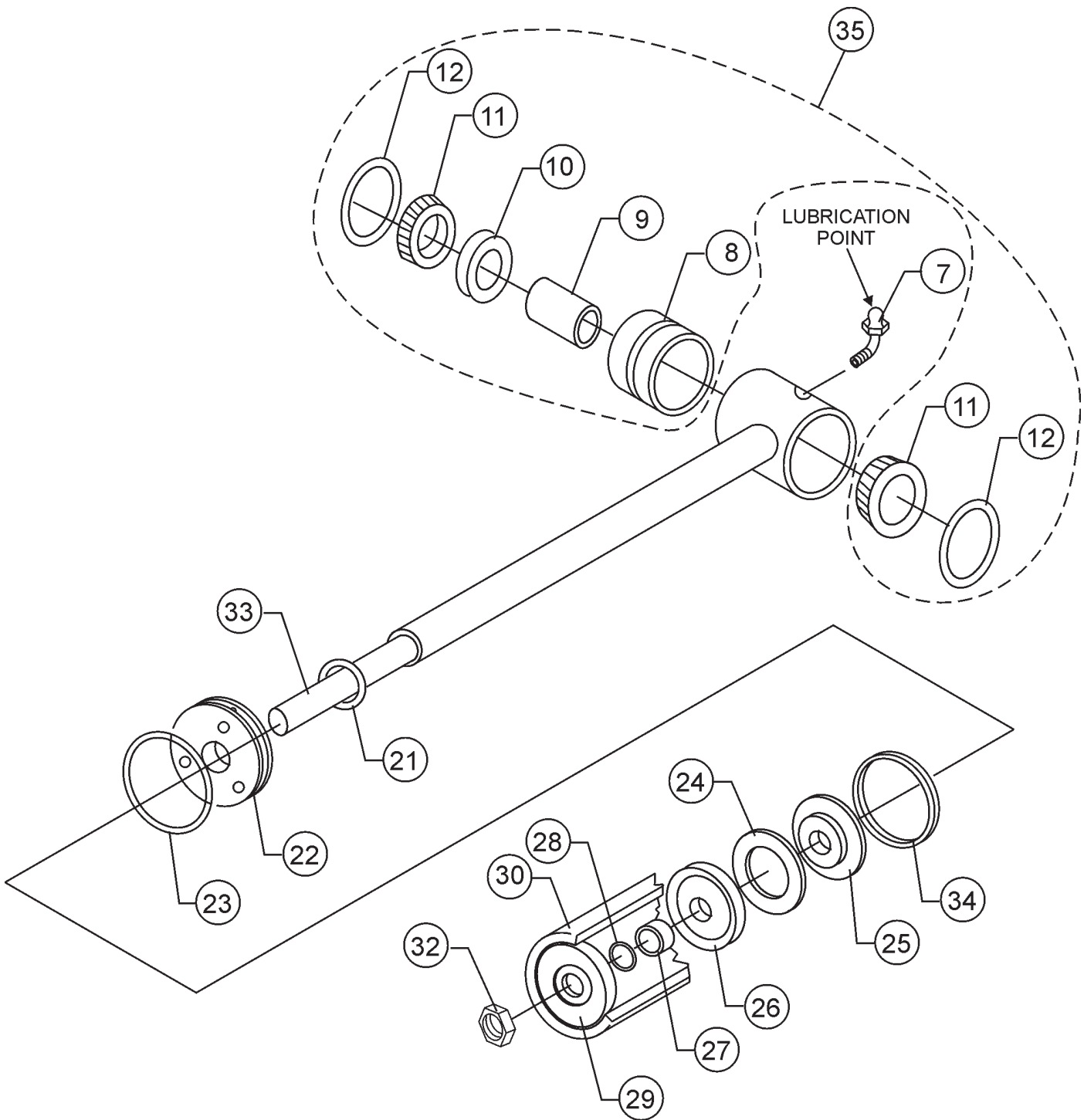
COMPENSATOR PISTON ROD ASSY.

COMPENSATOR PISTON ROD ASSY.

| <u>NO.</u> | <u>PART NO.</u> | <u>PART NAME</u> | <u>QTY.</u> | <u>REMARKS</u> |
|------------|-----------------|------------------------|-------------|--------------------|
| 1 | EM14805 | ROD END | 1 | INCLUDES ITEMS W/+ |
| 1A+ | EM148053 | BUSHING | 1 | |
| 2 | EM968446 | NUT HEX, 3/4"-10 GR5 | 2 | |
| 3 | EM14332 | ROD SPRING GUIDE 3/4" | 1 | |
| 4 | EM14331 | SPRING BACKING PLATE | 1 | |
| 5 | EM14333 | SPRING RETURN | 1 | |
| 6 | EM14806 | PISTON GUIDE ASSY. | 1 | |
| 7 | EM505490 | FITTING | 1 | |
| 8* | EM903163 | BEARING CUP | 1 | |
| 9* | EM20814 | BEARING BUSHING | 1 | |
| 10* | EM20813 | SPACER | 1 | |
| 11* | EM903162 | BEARING CONE | 2 | |
| 12* | EM20816 | O-RING | 2 | |
| 13 | EM916001 | FITTING | 2 | |
| 14 | EM510266 | SCREW, HHC 1/2-13X3 | 1 | |
| 15 | EM621 | WASHER | 2 | |
| 16 | 492584 | NUT LOCK 1/2" DIA. | 1 | |
| 17 | EM14335 | PISTON ROD | 1 | |
| 18 | EM14336 | PISTON GUIDE | 1 | |
| 19 | EM505489 | FITTING | 1 | |
| 20 | EM14334 | COMPENSATOR SPRING | 1 | |
| 21 | EM18409 | O-RING | 1 | |
| 22 | EM98032 | PLATE, OILER | 1 | |
| 23 | EM14407 | O-RING, OILER PLATE | 1 | |
| 24 | EM14410 | RING & FELT HOLDER | 1 | |
| 25 | EM14408 | BRONZE RING | 1 | |
| 26 | EM14411 | PISTON CUP-BLACK | 1 | |
| 26 | EM98051 | PISTON CUP-ORANGE | 1 | |
| 27 | EM14412 | BUSHING 1 1/4 CRS | 1 | |
| 28 | EM18409 | O-RING 1" | 2 | |
| 29 | EM14413 | FACE PLATE | 1 | |
| 30 | EM18800HD | PUMPING CYLINDER | 1 | 2-1/2" LIP SLEEVE |
| 31 | EM26525 | O-RING, CYLINDER BOX | 1 | |
| 32 | EM968446 | NUT HEX, 3/4-10 | 3 | |
| 33 | EM16493 | FELT RING | 1 | |
| 34 | EM148053 | BUSHING | 1 | |
| 35 | EM20328TKIT | BEARING KIT | 1 | INCLUDES ITEMS W/* |

C-30HDN PUMP — CONNECTING ROD - DRIVE SIDE ASSY.

CONNECTING ROD - DRIVE SIDE ASSY.



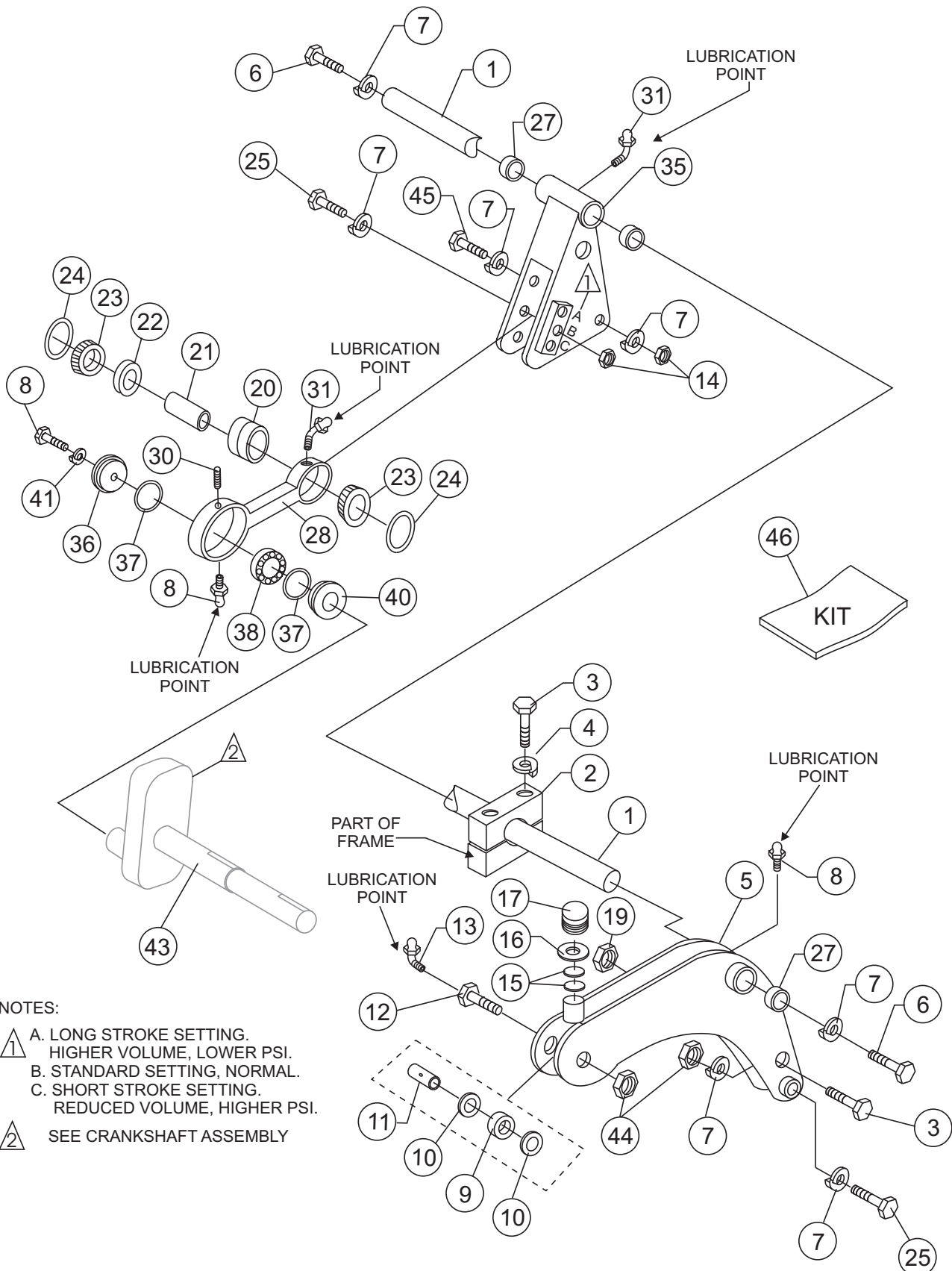
C-30HDN PUMP — CONNECTING ROD - DRIVE SIDE ASSY.

CONNECTING ROD - DRIVE SIDE ASSY.

| <u>NO.</u> | <u>PART NO.</u> | <u>PART NAME</u> | <u>QTY.</u> | <u>REMARKS</u> |
|------------|-----------------|-------------------------|-------------|----------------------------|
| 7 | EM505490 | FITTING | 1 | |
| 8* | EM903163 | BEARING CUP | 1 | |
| 9* | EM20814 | BEARING BUSHING | 1 | |
| 10* | EM20813 | SPACER | 1 | |
| 11* | EM903162 | BEARING CONE | 2 | |
| 12* | EM20816 | O-RING | 2 | |
| 21 | EM18409 | O-RING | 1 | |
| 22 | EM98032 | PLATE, OILER | 1 | |
| 23 | EM14407 | O-RING, OILER PLATE | 1 | |
| 24 | EM14408 | BRONZE RING | 1 | |
| 25 | EM14410 | RING AND FELT HOLDER | 1 | |
| 26 | EM14411 | PISTON CUP-BLACK | 1 | |
| 26 | EM98051 | PISTON CUP-ORANGE | 1 | |
| 27 | EM14412 | BUSHING 1 1/4 CRS | 1 | |
| 28 | EM18409 | O-RING 1" | 2 | |
| 29 | EM14413 | FACE PLATE | 1 | |
| 30 | EM14807HD | CONCRETE CYLINDER | 1 | 3-3/4 IN. LIP SLEEVE |
| 32 | EM968446 | NUT HEX, 3/4-10 | 3 | |
| 33 | EM14808 | PISTON ROD ASSY. | 1 | |
| 34 | EM16493 | FELT RING | 1 | |
| 35 | EM20328TKIT | BEARING KIT | 1 | INCLUDES ITEMS W/* |

ROCKER ASSY.

ROCKER ASSY.



NOTES:

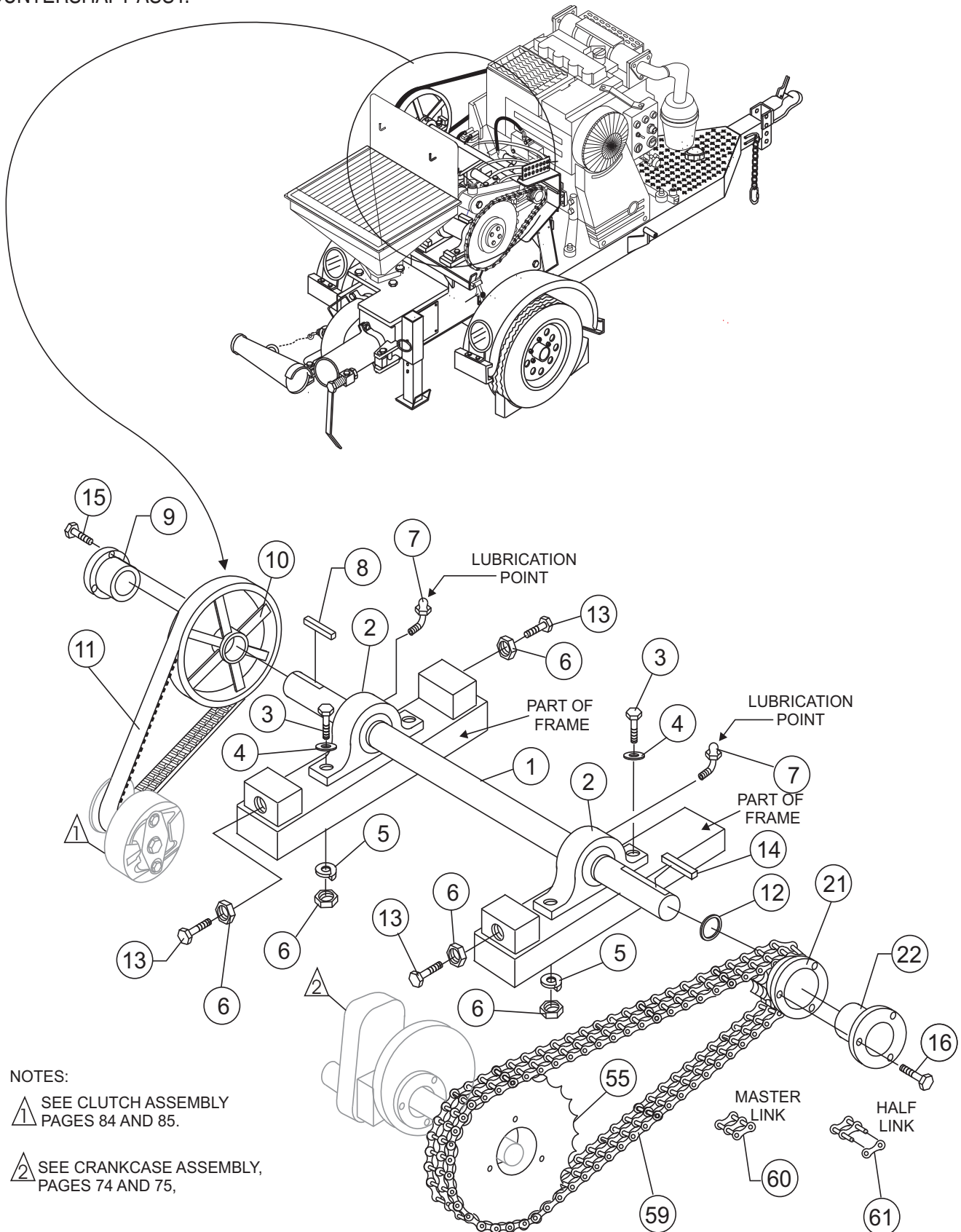
- ▲ A. LONG STROKE SETTING.
HIGHER VOLUME, LOWER PSI.
- B. STANDARD SETTING, NORMAL.
- C. SHORT STROKE SETTING.
REDUCED VOLUME, HIGHER PSI.
- ▲ SEE CRANKSHAFT ASSEMBLY

ROCKER ASSY.

| <u>NO.</u> | <u>PART NO.</u> | <u>PART NAME</u> | <u>QTY.</u> | <u>REMARKS</u> |
|------------|-----------------|-------------------------------|-------------|--------------------|
| 1 | EM14329 | SHAFT ROCKER ARM | 1 | |
| 2 | EM14116 | JOURNAL BLOCK | 1 | |
| 3 | EM963180 | SCREW, HHC 3/4"-10X5 | 2 | |
| 4 | EM923350 | WASHER LOCK 3/4" SPRING STEEL | 2 | |
| 5 | EM14846 | CAM ROCKER ARM | 1 | INCLUDES ITEMS W/+ |
| 6 | EM133 | BOLT 1"-14X2" HEX HEAD | 1 | |
| 7 | EM603 | WASHER 1" LOCK | 1 | |
| 8 | EM916001 | ZERK FITTING | 1 | |
| 9 | EM903092 | BEARING ASSY. | 1 | |
| 10 | EM20347 | BEARING SPACER | 2 | |
| 11 | EM402434 | BEARING BUSHING | 1 | |
| 12 | EM20344 | SPECIAL BOLT | 1 | |
| 13 | EM916001 | ZERK FITTING | 1 | |
| 14 | EM417 | NUT FLEX LOCK | 1 | |
| 15 | EM402456 | OILER FELT | 2 | |
| 16 | EM923157 | WASHER, FLAT 5/8" | 1 | |
| 17 | EM20349 | OILER PLUG, PLASTIC | 1 | |
| 19 | EM969038 | NUT STOP REG. 3/4"-10 | 1 | |
| 20% | EM903163 | BEARING CUP | 1 | |
| 21% | EM20814 | BEARING BUSHING | 1 | |
| 22% | EM20813 | SPACER | 1 | |
| 23% | EM903162 | BEARING CONE | 2 | |
| 24% | EM20816 | O-RING | 2 | |
| 25 | EM105 | BOLT 1"-14X6" HEX HEAD | 1 | |
| 27#+ | EM203262 | BRONZE BUSHING | 4 | |
| 28 | EM20364 | CONNECTING ROD | 1 | |
| 30 | EM702 | SCREW ALLEN HEAD 3/8"-16X3/4" | 1 | |
| 31 | EM505490 | ZERK FITTING | 1 | |
| 35 | EM14328 | ROCKER ARM ASSY. | 1 | INCLUDES ITEM W/# |
| 36 | EM402996 | SEAL PLATE | 1 | |
| 37 | EM20336 | O-RING | 1 | |
| 38 | EM903176 | BEARING | 1 | |
| 40 | EM20338 | SPACER | 1 | |
| 41 | EM923348 | WASHER LOCK 5/8 | 1 | |
| 42 | EM503982 | BOLT 1/2-13X5 | 1 | |
| 43 | EM98043 | FORGED CRANKSHAFT | 1 | INCLUDES ITEM W/* |
| 44 | EM417 | NUT, LOCK 3/4"-10 | 2 | |
| 45 | EM202 | BOLT, HEX 1-8 X 6 LG. | 1 | |
| 46 | EM20328TKIT | BEARING KIT | 1 | INCLUDES ITEMS W/% |

COUNTER-SHAFT ASSY.

COUNTERSHAFT ASSY.



NOTES:

⚠ SEE CLUTCH ASSEMBLY
PAGES 84 AND 85.

⚠ SEE CRANKCASE ASSEMBLY,
PAGES 74 AND 75,

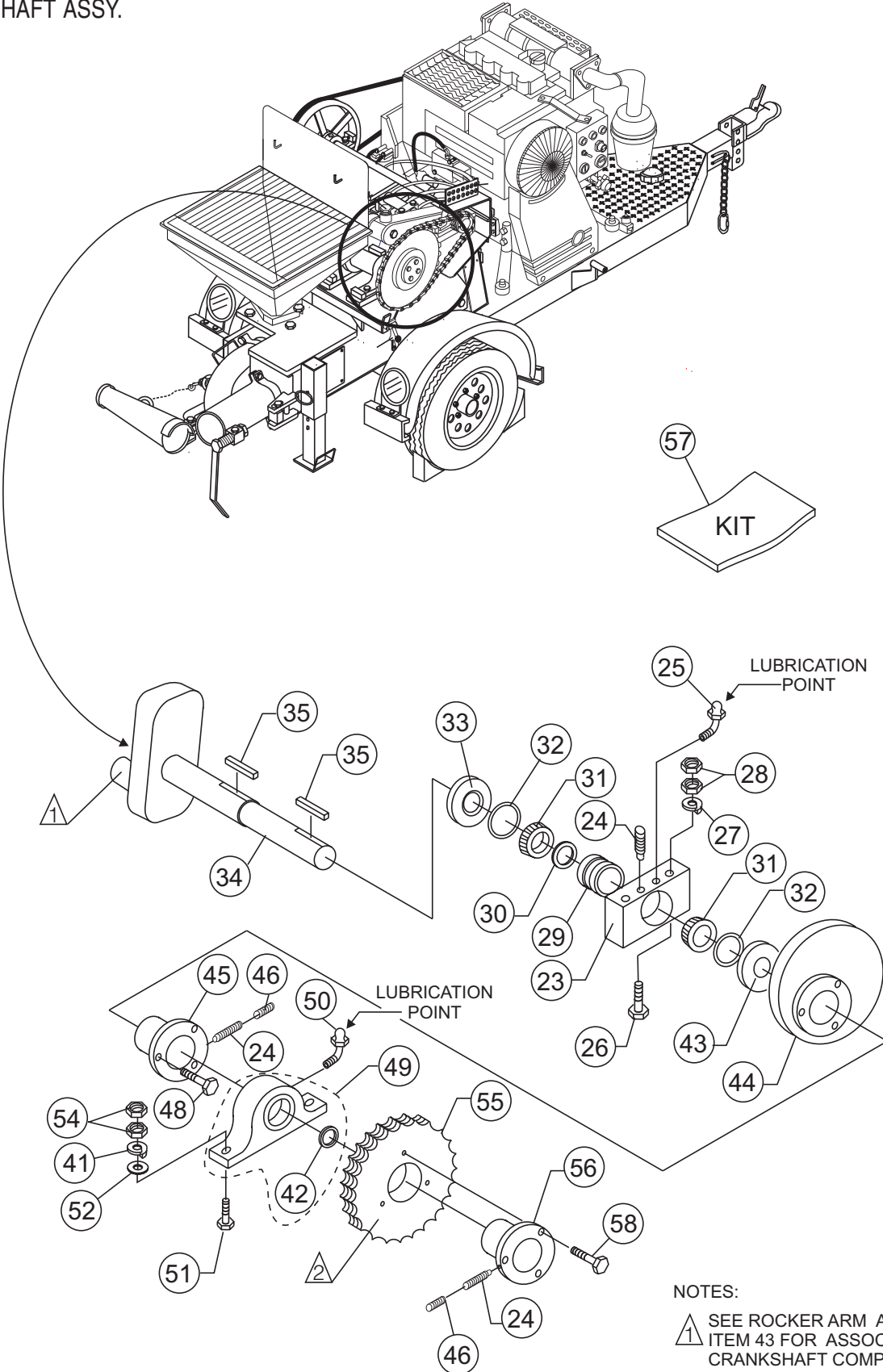
COUNTER-SHAFT ASSY.

COUNTER-SHAFT ASSY.

| <u>NO.</u> | <u>PART NO.</u> | <u>PART NAME</u> | <u>QTY.</u> | <u>REMARKS</u> |
|------------|-----------------|---------------------------------|-------------|----------------|
| 1 | EM513073 | COUNTER SHAFT | 1 | |
| 2 | EM14311 | CAM BEARING | 2 | |
| 3 | EM124 | BOLT HEX 1/2 X 13 X 4" | 4 | |
| 4 | EM621 | WASHER WILLIAMS 1/2" | 4 | |
| 5 | EM923346 | WASHER, LOCK1/2" | 4 | |
| 6 | EM968011 | NUT HEX, 1/2-13 | 7 | |
| 7 | EM916001 | FITTING, GREASE | 2 | |
| 8 | EM14316 | KEY 3/8"X2.5" | 1 | |
| 9 | EM14314 | BUSHING, PULLEY | 1 | |
| 10 | EM14313 | PULLEY | 1 | |
| 11 | EM14315 | BELT, DOUBLE 90 INCHES | 1 | |
| 12 | EM143111 | SET COLLAR | 1 | |
| 13 | EM130 | BOLT, SQUARE 1/2" - 13 X 2-1/2" | 3 | |
| 14 | EM14317 | KEY, 3/8" | 1 | |
| 15 | EM123 | BOLT, HEX 3/8" - 16 X 1-1/4" | 3 | |
| 16 | EM161 | BOLT, HEX 3/8" - 16 X 1" | 3 | |
| 21 | EM14318 | SPROCKET, 13 TOOTH | 1 | |
| 22 | EM14319 | BUSHING | 1 | |
| 55 | EM14307 | SPROCKET 60 TEETH | 1 | |
| 59 | EM14308 | CHAIN W/MASTER LINK | 1 | |
| 60 | EM26314 | LINK MASTER | 1 | |
| 61 | EM26313 | HALF LINK | 1 | |

CRANKSHAFT ASSY.

CRANKSHAFT ASSY.



NOTES:

⚠ SEE ROCKER ARM ASSEMBLY
ITEM 43 FOR ASSOCIATED
CRANKSHAFT COMPONENTS.

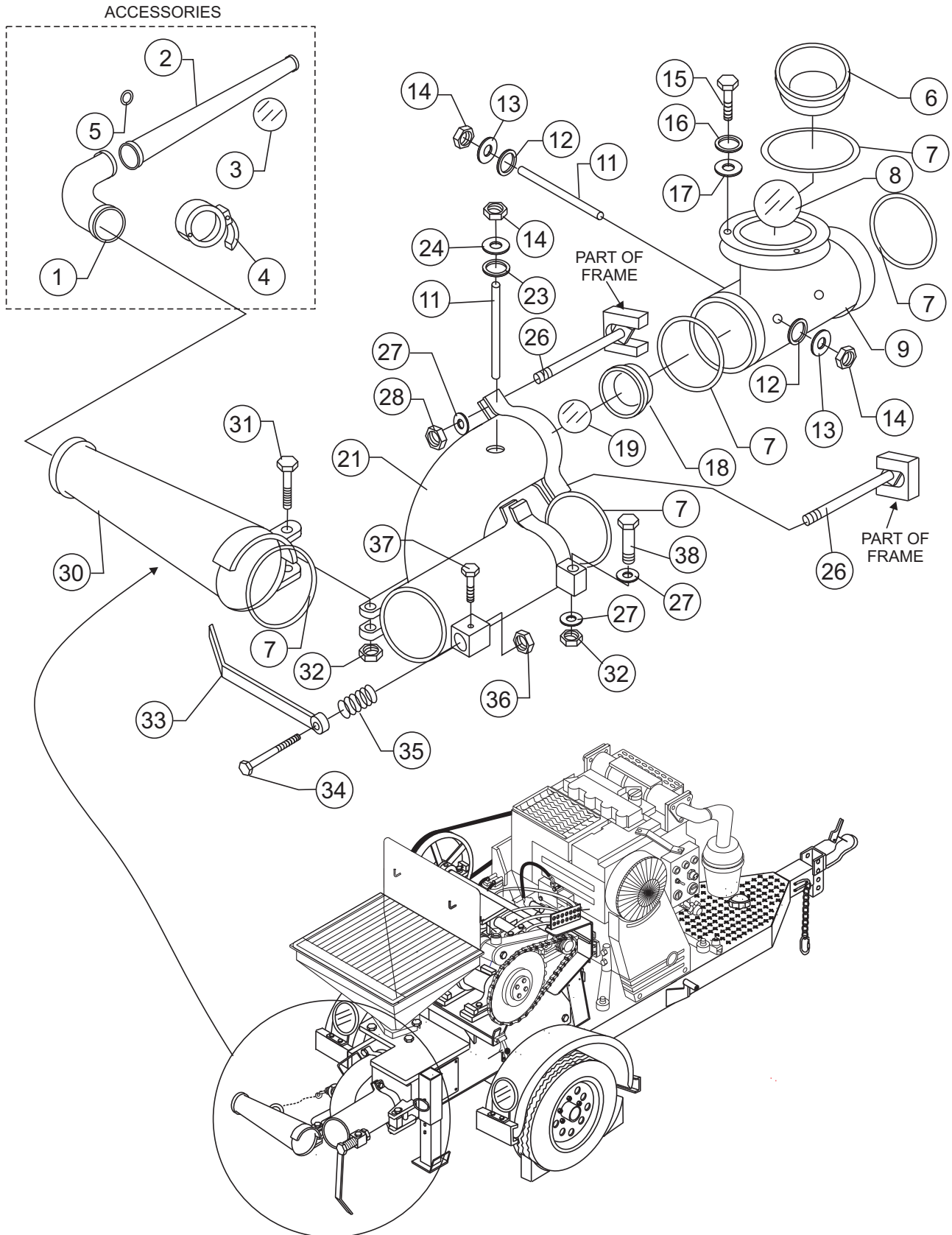
⚠ SEE COUNTER-SHAFT ASSEMBLY,
ITEM 55

CRANKSHAFT ASSY.

CRANKSHAFT ASSY.

| <u>NO.</u> | <u>PART NO.</u> | <u>PART NAME</u> | <u>QTY.</u> | <u>REMARKS</u> |
|------------|-----------------|---------------------------------|-------------|--------------------|
| 23* | EM14303 | BEARING BLOCK | 1 | |
| 24* | EM702 | SCREW, ALLEN HEAD 3/8-16X3/4 | 6 | |
| 25 | EM505490 | ZERK FITTING | 1 | |
| 26 | EM129 | SCREW, HHC 3/4-10X8-1/2 | 2 | |
| 27 | EM492628 | LOCK WASHER 3/4 | 2 | |
| 28 | EM968446 | NUT HEX, 3/4-10 GR5 | 4 | |
| 29* | EM14324 | CUP BEARING | 1 | |
| 30* | EM14323 | SPACER BEARING CONE | 1 | |
| 31* | EM14325 | CONE BEARING | 2 | |
| 32* | EM14326 | O-RING | 2 | |
| 33* | EM14322 | SPACER | 1 | |
| 34* | EM98043 | CRANKSHAFT, FORGED | 1 | |
| 35* | EM14306 | KEY CRANKSHAFT | 2 | |
| 38 | EM903176 | BEARING | 1 | |
| 40 | EM402996 | SEAL PLATE | 1 | |
| 41 | EM923348 | WASHER, LOCK 5/8" | 2 | |
| 42# | EM30139 | SET COLLAR | 1 | |
| 43* | EM14302 | SPACER, CAM BUSHING | 1 | |
| 44* | EM14300 | CAM ASSY. | 1 | |
| 45* | EM14301 | BUSHING, CAM | 1 | |
| 46* | EM703 | SCREW ALLEN HEAD 3/8-16X3/8 | 6 | |
| 48* | EM175 | BOLT 3/8-16X1-1/4 | 6 | |
| 49* | EM14304 | BEARING-CAM COMPLETE | 1 | INCLUDES ITEM W/ # |
| 50* | EM916001 | ZERK FITTING | 1 | |
| 51 | EM128 | BOLT 5/8-11X4" HEX HEAD | 2 | |
| 52 | EM620 | WASHER, SPECIAL 5/8" | 2 | |
| 54 | EM968013 | NUT HEX 5/8-11 | 4 | |
| 55* | EM14307 | SPROCKET 60 TEETH | 1 | |
| 56* | EM14309 | BUSHING | 1 | |
| 57 | EM98043K | CRANKSHAFT FORGE ASSEMBLY | 1 | INCLUDES ITEM W/* |
| 58 | 492378 | BOLT, HEX 3/8"-16 X 1-3/4" | 3 | |

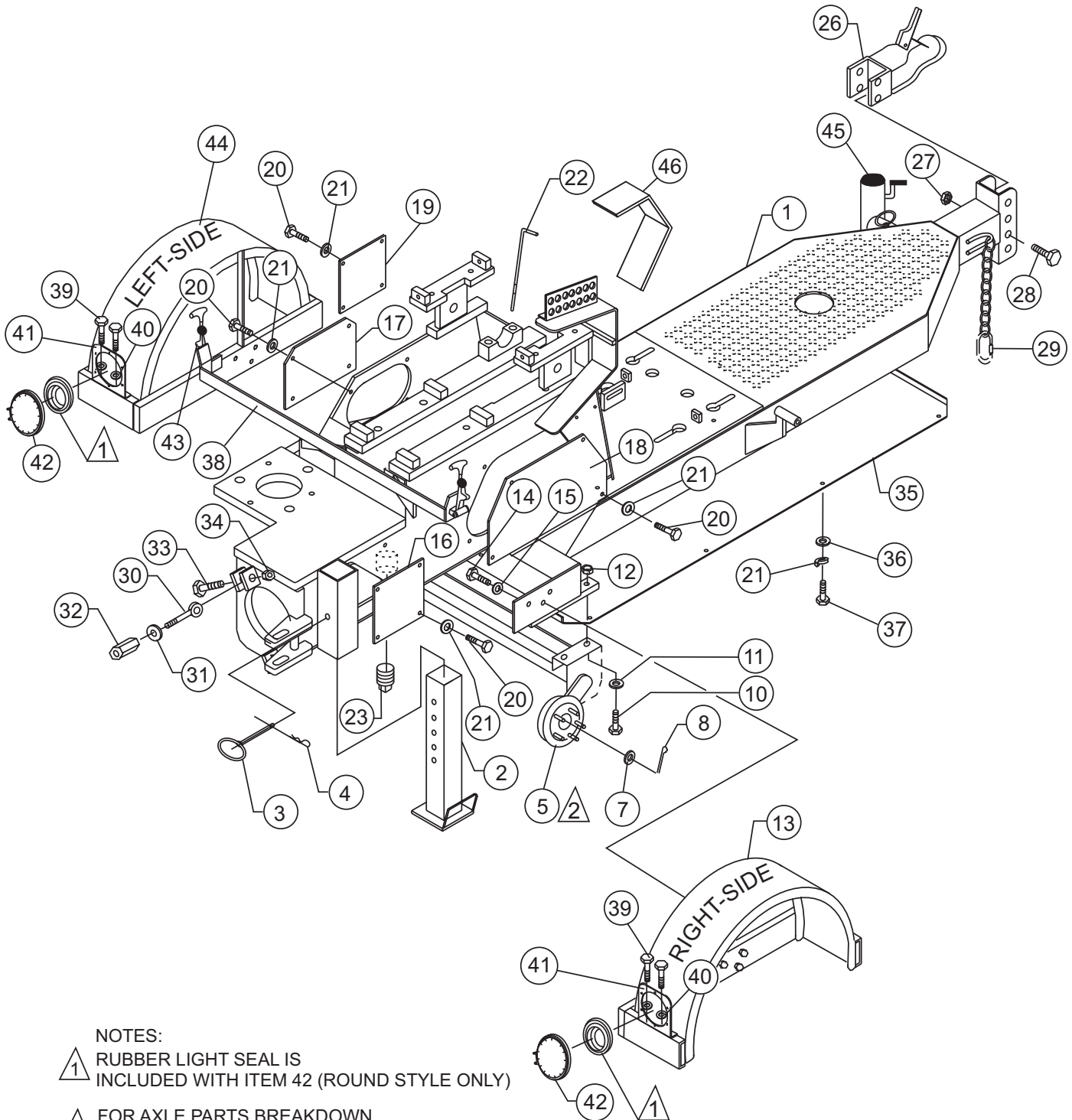
MANIFOLD ASSY.



MANIFOLD ASSY.

| <u>NO.</u> | <u>PART NO.</u> | <u>PART NAME</u> | <u>QTY.</u> | <u>REMARKS</u> |
|------------|-----------------|-----------------------------|-------------|----------------|
| 1 | EM23946 | ELBOW 3"X90 DEG.HD | 1 | |
| 2 | EM28004DD | REDUCER 3X2X36 HD | 1 | |
| 3 | EM2C0B | BALL 2" SPONGE | 2 | |
| 4 | EM28904 | COUPLING 3" HD *CF* | 2 | |
| 5 | EM18409 | O-RING 1" | 4 | |
| 6 | EM14843 | UPPER DURASEAT | 1 | |
| 7 | EM18801 | O-RING | 6 | |
| 8 | EM18804 | BALL 4-1/2" | 1 | |
| 9 | EM14801 | MANIFOLD T ASSY. | 1 | |
| 11 | EM136 | PIN BALL STOP 3/4-16 x 8 | 3 | |
| 12 | EM18409 | O-RING | 4 | |
| 13 | EM618 | WASHER SPECIAL | 4 | |
| 14 | EM968266 | NUT JAM HEX 3/4-16 | 4 | |
| 15 | EM104 | BOLT 5/8-11X2" HEX HEAD | 3 | |
| 16 | EM923348 | WASHER LOCK 5/8 SPRING | 3 | |
| 17 | EM505882 | WASHER, 5/8 | 3 | |
| 18 | EM14842 | SEAT DURA LOWER | 1 | |
| 19 | EM14818 | BALL 4" | 1 | |
| 21 | EM14819A | MANIFOLD ASSY. EASY OPEN | 1 | |
| 23 | EM18409 | O-RING | 2 | |
| 24 | EM618 | WASHER SPECIAL | 2 | |
| 26 | EM137 | TEE-BOLT 3/4-10X14" | 2 | |
| 27 | EM619 | WASHER 3/4" | 2 | |
| 28 | EM968446 | NUT HEX 3/4"-10 GR5 | 2 | |
| 30 | EM14850 | EXHAUST GATE "H/D" | 1 | |
| 31 | EM963180 | CAPSCREW 3/4-10X5 HEX HD G8 | 1 | |
| 32 | EM969038 | NUT STOP REG.3/4-10 | 2 | |
| 33 | EM14845 | ARM CLAMP | 1 | |
| 34 | EM135 | BOLT 1-1/4" -12X7" HEX HD. | 1 | |
| 35 | EM14810 | SPRING | 1 | |
| 36 | EM451 | NUT 1-1/4" -12 LOCK | 1 | |
| 37 | EM160 | BOLT 3/8-16X3/4" | 1 | |
| 38 | EM509329 | SCREW HHC 3/4-10X6 | 1 | |

FRAME ASSY.



NOTES:

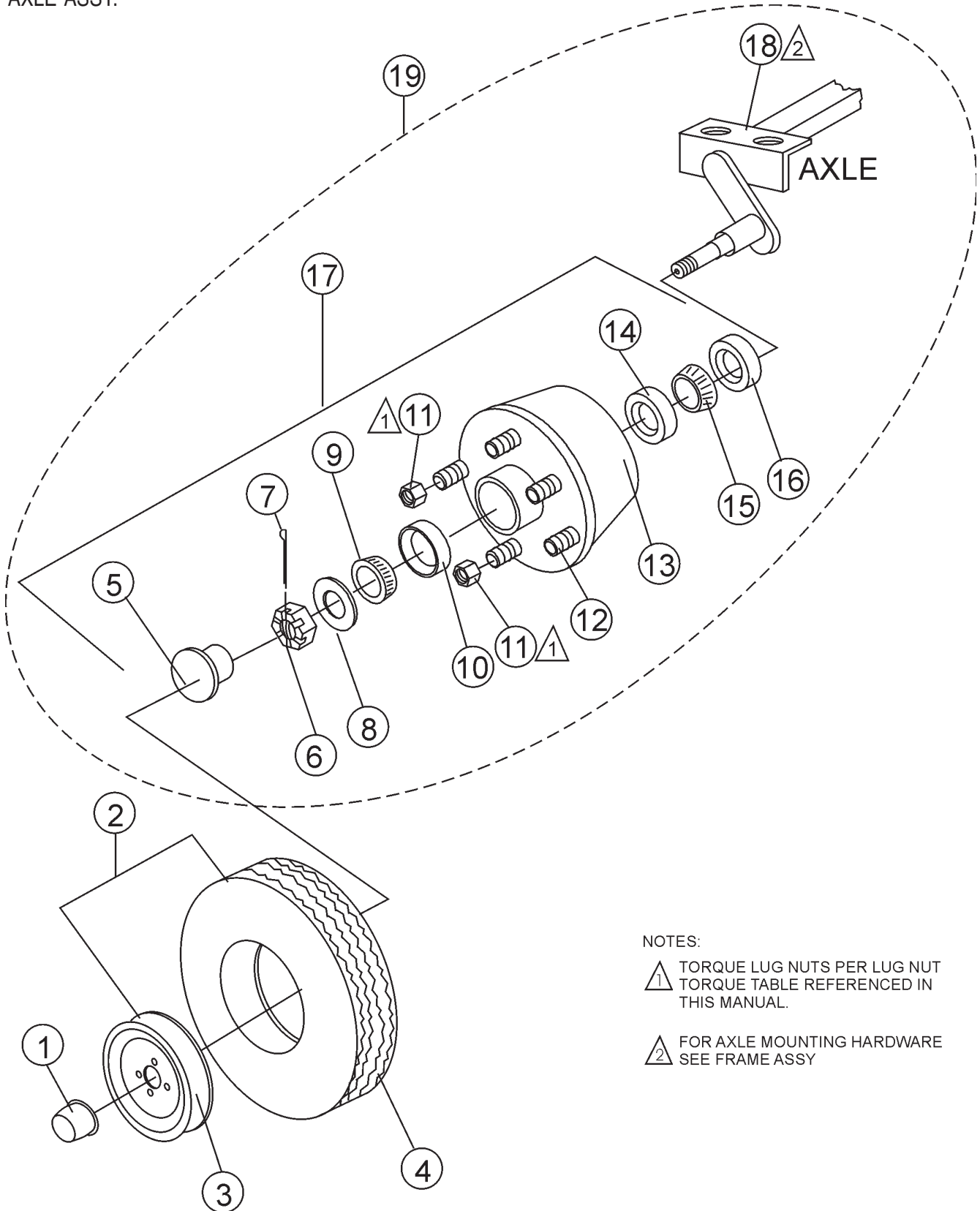
1 RUBBER LIGHT SEAL IS INCLUDED WITH ITEM 42 (ROUND STYLE ONLY)

2 FOR AXLE PARTS BREAKDOWN SEE AXLE ASSEMBLY

FRAME ASSY.

| <u>NO.</u> | <u>PART NO.</u> | <u>PART NAME</u> | <u>QTY.</u> | <u>REMARKS</u> |
|------------|-----------------|-----------------------------|-------------|-------------------|
| 1 | EM513085 | FRAME ASSEMBLY | 1 | |
| 2 | EM70186 | JACK STAND, REAR | 1 | |
| 3 | EM744 | CLEVIS PIN 1/2" X 4" | 1 | |
| 4 | EM745 | HAIR PIN C 5/8- 3/4" | 1 | |
| 5 | EM14600A | AXLE, ASSEMBLY | 1 | |
| 7 | 501299 | WASHER THICK 1" | 2 | |
| 8 | 491689 | KEY COTTER 1/8 X 2 | 2 | |
| 10 | EM492396 | SCREW HHC 1/2- 13 X 2 | 4 | |
| 11 | EM621 | WASHER .5" | 4 | |
| 12 | EM406 | NUT LOCK 1/2" DIA. | 4 | |
| 13 | EM511418 | FENDER RIGHT-SIDE | 1 | |
| 14 | 981635 | BOLT, HHC 1/2- 13 X 3/4 | 6 | |
| 15 | 6109180 | WASHER LOCK 1/2" | 6 | |
| 16 | EM512251 | COVER | 1 | |
| 17 | EM512252 | COVER | 1 | |
| 18 | EM512253 | COVER | 1 | |
| 19 | EM512250 | COVER | 1 | |
| 20 | EM492309 | SCREW, HHC | 16 | |
| 21 | 0166 A | WASHER, LOCK 3/8" | 24 | |
| 22 | EM512263 | ROD | 1 | |
| 23 | EM507895 | PLUG, 2 1/2 NPT | 2 | |
| 26 | 29228 | HITCH, TONGUE 2" | 1 | |
| 27 | EM969023 | NUT, HEX 5/8" NC | 2 | |
| 28 | EM507658 | SCREW, HHC 5/8" NC 4-1/2 G5 | 2 | |
| 29 | EM509947 | LINK, QUICK | 2 | |
| 30 | EM14165 | BOLT EYE | 2 | |
| 31 | EM619 | WASHER 3/4" WILLIAM | 2 | |
| 32 | EM968002 | NUT COUPLING 3/4- 10 | 2 | |
| 33 | EM505121 | SCREW 3/4"- 10 X 3 GR.5 | 2 | |
| 34 | EM969038 | NUT STOP REG. 3/4- 10 | 2 | |
| 35 | EM513078 | COVER, CHASSIS BOTTOM | 1 | |
| 36 | 10136 | WASHER, FLAT 3/8 | 8 | |
| 37 | EM492264 | HHCS. 3/8" NC X 1" | 8 | |
| 38 | EM929028 | HOOD REST, STEEL | 2 | |
| 39 | 492363 | SCREW HHC 5/16- 18 X 3/4" | 4 | |
| 40 | EM923343 | WASHER LOCK 5/16" | 4 | |
| 41 | EM265361 | BRACKET LIGHT, ROUND | 2 | BEFORE MARCH 2009 |
| 41 | 518570 | BRACKET LIGHT, SQUARE | 2 | FROM MARCH 2009 |
| 42 | EM26536 | TAIL LIGHT, ROUND | 2 | BEFORE MARCH 2009 |
| 42 | 29242 | TAIL LIGHT, SQUARE | 2 | FROM MARCH 2009 |
| 43 | 491010 | HOOD FASTENER, RUBBER | 2 | |
| 44 | EM513087 | FENDER LEFT-SIDE | 1 | |
| 45 | 25610 | JACK STAND, FRONT | 1 | |
| 46 | EM513199 | BRACKET, CLUTCH SAFETY | 1 | |

AXLE ASSY.



NOTES:

△ 1 TORQUE LUG NUTS PER LUG NUT TORQUE TABLE REFERENCED IN THIS MANUAL.

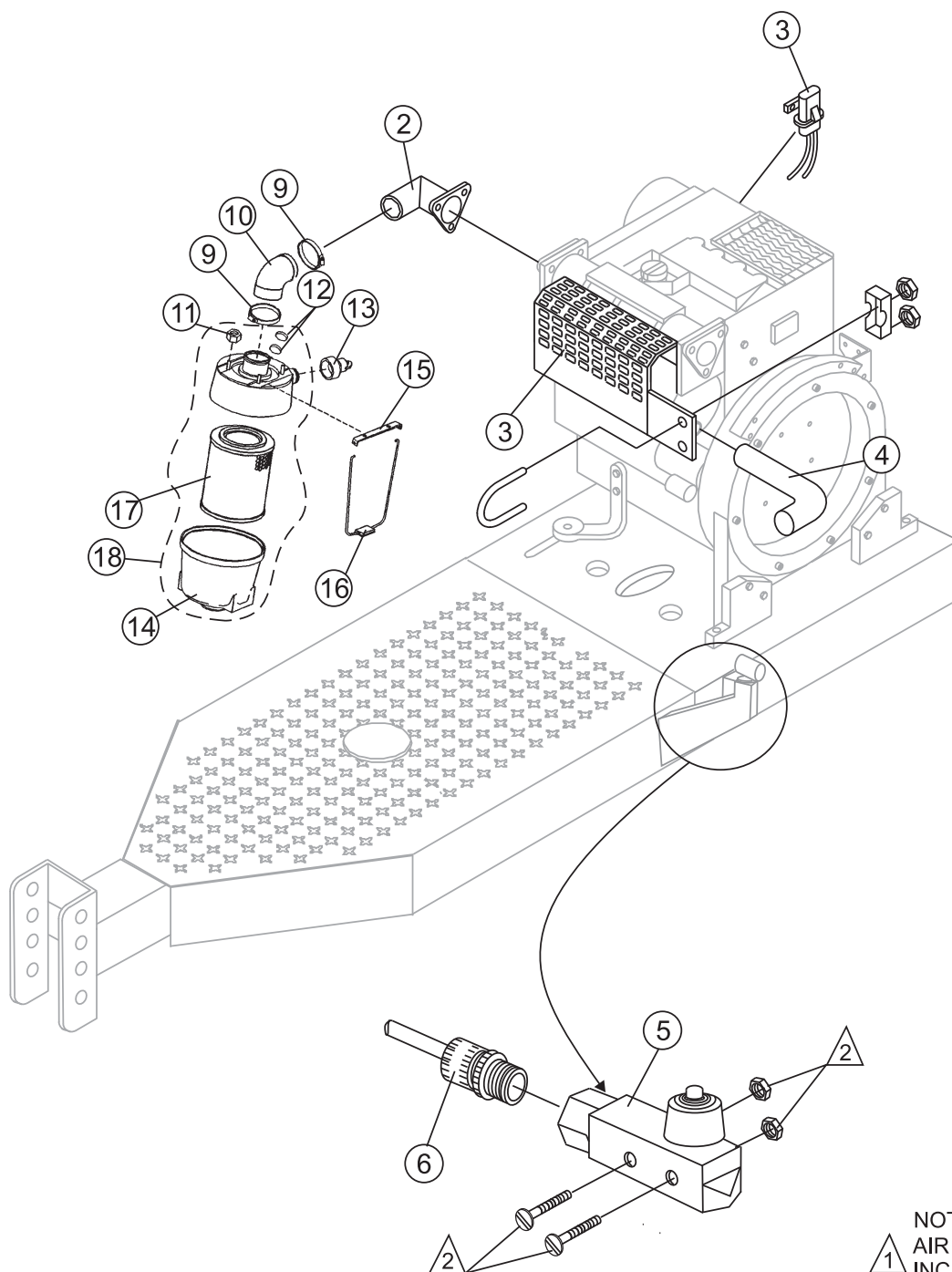
△ 2 FOR AXLE MOUNTING HARDWARE SEE FRAME ASSY

AXLE ASSY.

| <u>NO.</u> | <u>PART NO.</u> | <u>PART NAME</u> | <u>QTY.</u> | <u>REMARKS</u> |
|------------|-----------------|--------------------------------|-------------|--------------------------------|
| 1 | EM26518 | CAP 14" CHROME | 2 | |
| 2 | EM26615A | TIRE ASSY..... | 2 | INCLUDES ITEMS W/* |
| 3* | | WHEEL | 2 | CANNOT BE PURCHASED SEPARATELY |
| 4* | | TIRE 14" | 2 | CANNOT BE PURCHASED SEPARATELY |
| 5# | EM26306 | DUST COVER | 2 | |
| 6# | EM968481 | CASTLE NUT | 2 | |
| 7 | EM705 | PIN, COTTER 3/16X1 1/2 | 2 | |
| 8# | EM26329 | WASHER | 2 | |
| 9# | EM903113 | OUTER BEARING | 2 | |
| 10# | EM903012 | OUTER CUP | 2 | |
| 11# | EM26519 | NUT | 12 | |
| 12# | EM20612 | STUD | 12 | |
| 13# | EM26300 | HUB | 2 | |
| 14# | EM903169 | INNER CUP | 2 | |
| 15# | EM903168 | INNER BEARING | 2 | |
| 16# | EM26305 | GREASE SEAL | 2 | |
| 17% | EM20601 | HUB ASSEMBLY | 2 | INCLUDES ITEMS W/# |
| 18% | EM14600 | AXLE | 1 | |
| 19 | EM14600A | AXLE WITH HUBS INSTALLED | 1 | INCLUDES ITEMS W/% |

MUFFLER, AIR FILTER, AND STOP SWITCH ASSY.

MUFFLER, AIR FILTER AND STOP SWITCH ASSY.



NOTES:

- ① AIR FILTER SUPPORT BRACKET IS INCLUDED WITH ITEM 1.
- ② STOP SWITCH MOUNTING HARDWARE IS INCLUDED WITH ITEM 19.

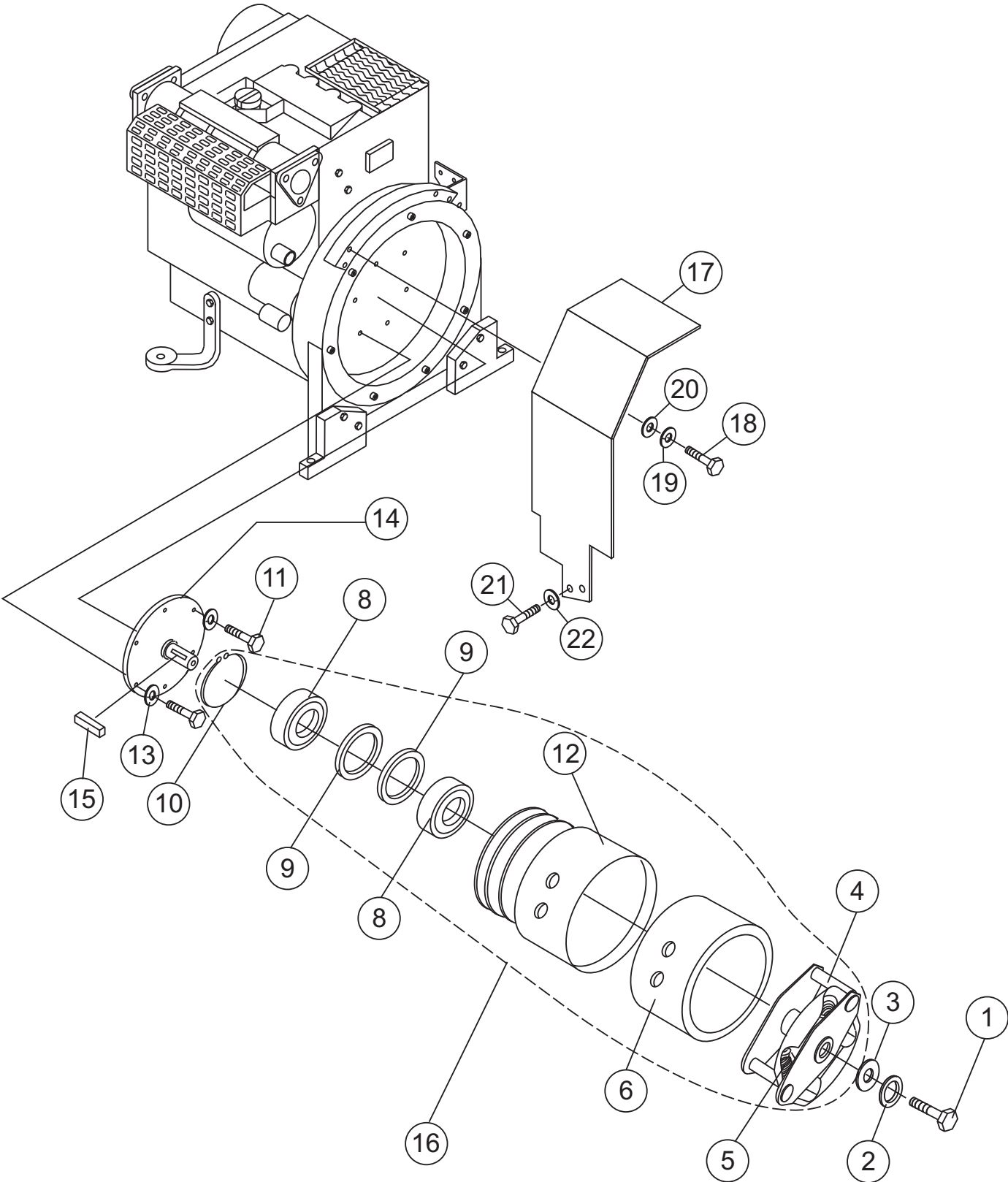
MUFFLER, AIR FILTER, AND STOP SWITCH ASSY.

MUFFLER, AIR FILTER AND STOP SWITCH ASSY.

| <u>NO.</u> | <u>PART NO.</u> | <u>PART NAME</u> | <u>QTY.</u> | <u>REMARKS</u> |
|------------|-----------------|-----------------------------|-------------|--------------------|
| 1 | EM98076 | FILTER, AIR | 1 | |
| 1A | EM98168 | PRECLEANER, AIR FILTER | 1 | |
| 2 | 513390 | BRACKET, AIR CLEANER (PIPE) | 1 | |
| 3 | 514772 | MUFFLER COVER | 1 | |
| 4 | 513196 | MUFFLER PIPE | 1 | INCLUDED W/ ENGINE |
| 5 | EM14217 | STOP SWITCH, ENGINE COVER | 1 | |
| 6 | EM491873 | GLAND CONNECTOR | 1 | |
| 7 | 506257 | U-BOLT | 1 | |
| 8 | EM98066 | FUSE HOLDER W/25A FUSE | 1 | |
| 9 | 01173940 | HOSE CLIP | 2 | |
| 10 | 04172501 | INTAKE ELBOW | 1 | |
| 11* | 01112824 | HEX NUT | 4 | |
| 12* | 03363577 | WASHER, FELT | 2 | |
| 13 | 02165357 | DUST EJECTOR | 1 | |
| 14* | 02240281 | HOOD | 1 | |
| 15 | 02240285 | ANGLE PLATE | 1 | |
| 16 | 02240283 | CLAMPING YOKE | 1 | |
| 17* | 02339813 | CARTRIDGE | 1 | |
| 18 | 02169927 | AIR CLEANER ASSY. | 1 | INCLUDES ITEMS W/* |

CLUTCH ASSY.

CLUTCH ASSY.



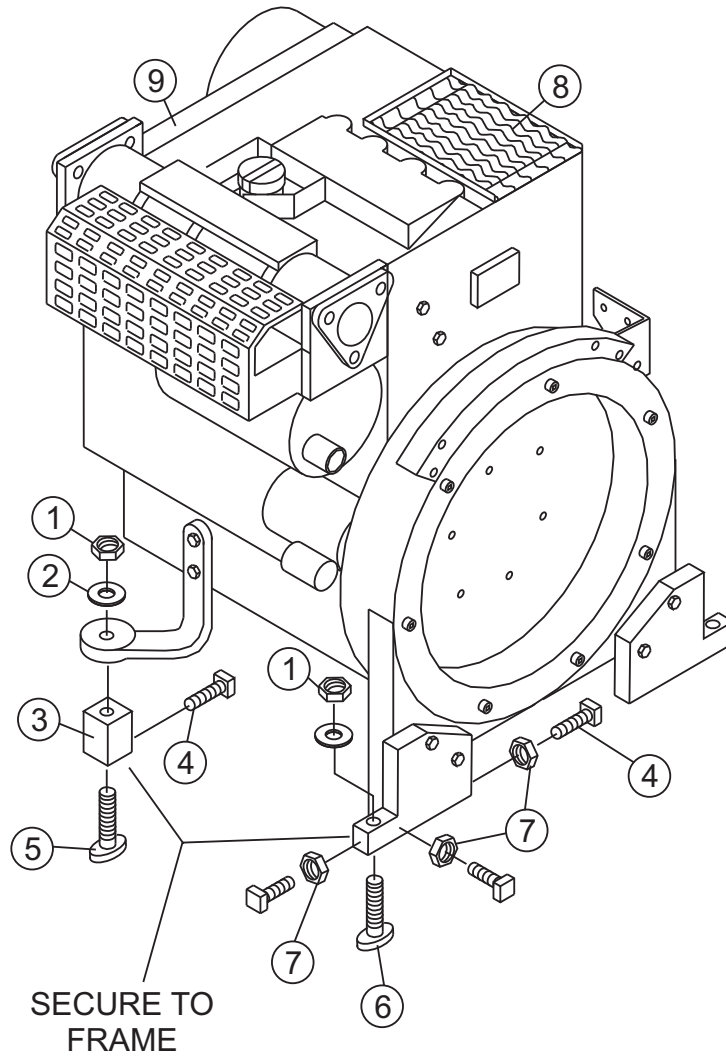
CLUTCH ASSY.

CLUTCH ASSY.

| <u>NO.</u> | <u>PART NO.</u> | <u>PART NAME</u> | <u>QTY.</u> | <u>REMARKS</u> |
|------------|-----------------|--------------------------------|-------------|--------------------------|
| 1* | 492395 | SCREW, HHC 1/2- 13X1-3/4" | 1 | |
| 2* | EM923346 | WASHER, LOCK 1/2" | 1 | |
| 3* | EM621 | WASHER, FLAT 1/2" SPECIAL | 1 | |
| 4* | EM26321 | ROTOR ASSEMBLY | 1 | |
| 5* | EM918050 | CLUTCH SPRING | 2 | |
| 6* | EM26310 | CLUTCH LINING | 1 | |
| 8* | EM902204 | CLUTCH BEARING | 2 | |
| 9* | EM926066 | RETAINING RING | 2 | |
| 10* | EM926053 | RETAINING RING | 1 | |
| 11* | EM508342 | SCREW, HHC M8X25 PI.25 | 6 | |
| 12* | EM26322 | CLUTCH HOUSING W/LINING | 1 | |
| 13 | 0166A | WASHER, LOCK 3/8" | 6 | |
| 14 | EM512707 | SHAFT STUB (FLANGE), ENGINE | 1 | |
| 15 | EM26348 | KEY | 1 | |
| 16 | EM14320 | CLUTCH COMPLETE ASSEMBLY | 1 | INCLUDES ITEMS W/* |
| 17 | 513199 | GUARD, CLUTCH | 1 | |
| 18 | 509252 | SCREW, M10 X 20 P-1-1.58.8 | 2 | |
| 19 | 492625 | WASHER, LOCK 7/16" | 2 | |
| 20 | 3019092 | WASHER, FLAT 3/8 | 2 | |
| 21 | 492357 | BOLT, 1/4" NC X 1 GR 5 | 2 | |
| 22 | 2101402 | WASHER, LOCK 1/4" | 2 | |

ENGINE MOUNTING ASSY.

ENGINE MOUNTING ASSY.

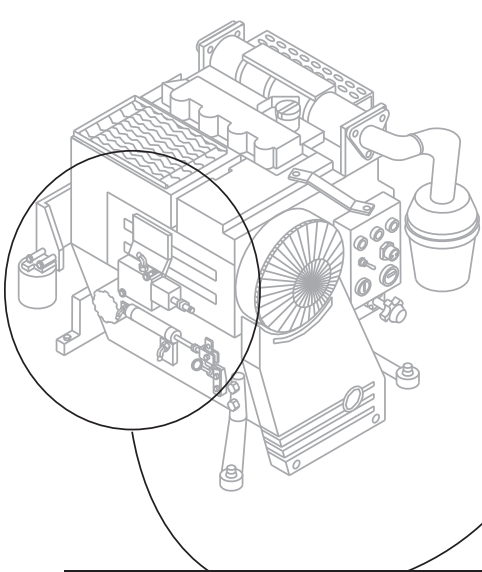
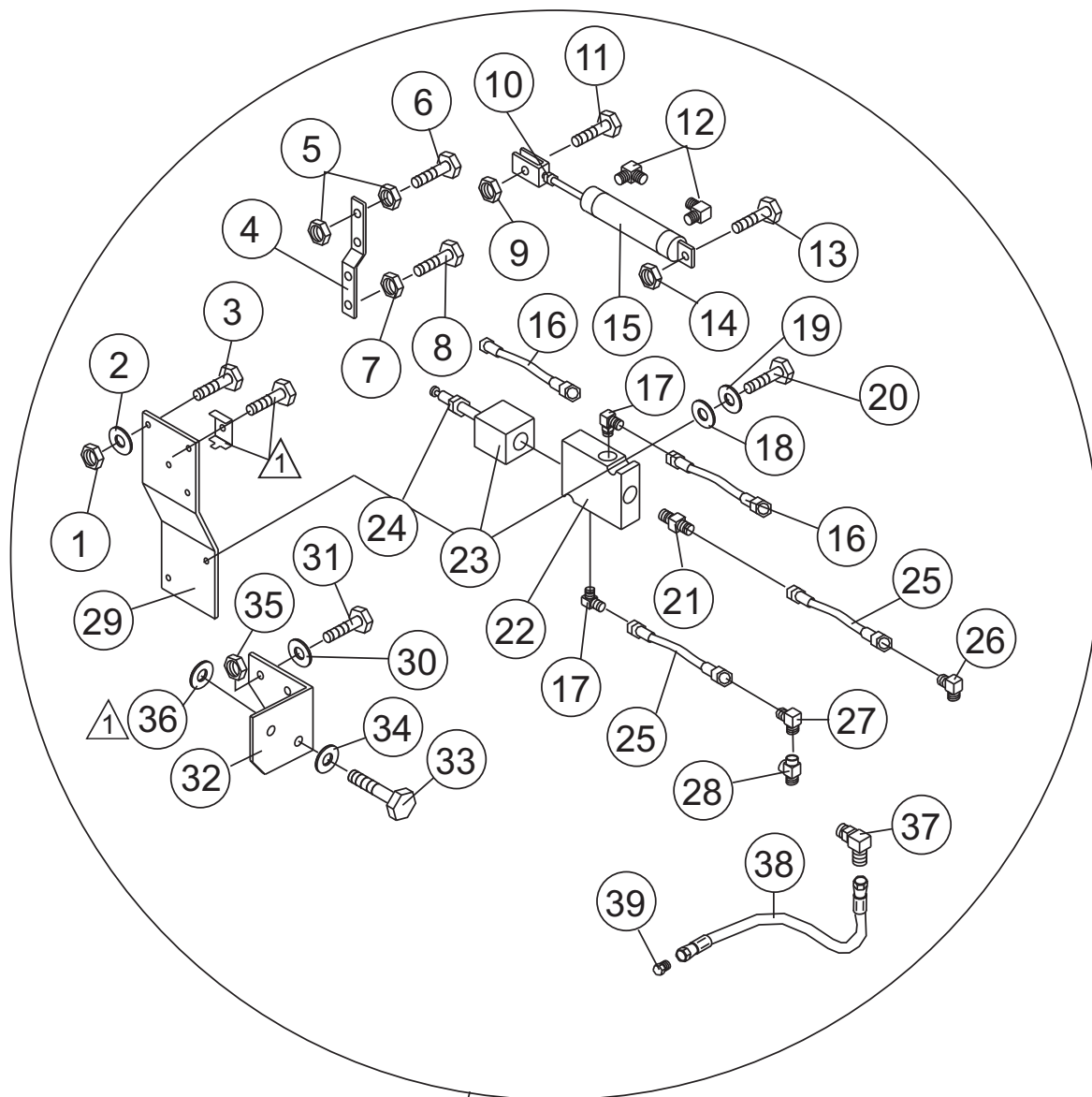


ENGINE MOUNTING ASSY.

ENGINE MOUNTING ASSY.

| <u>NO.</u> | <u>PART NO.</u> | <u>PART NAME</u> | <u>QTY.</u> | <u>REMARKS</u> |
|------------|-----------------|-------------------------------------|-------------|----------------|
| 1 | 492556 | NUT, HEX 1/2 IN. | 8 | |
| 2 | 492626 | WASHER, LOCK 1/2 IN. | 4 | |
| 3 | 513195 | ENGINE SUPPORT BLOCK (SIDE) | 2 | |
| 4 | EM130 | SQUARE HEAD BOLT 1/2 NC X 2-1/2 IN. | 6 | |
| 5 | 513204 | BOLT 1/2 NC X 5 IN. | 2 | |
| 6 | 513095 | BOLT, C/T 1/2 NC x 2 IN. | 2 | |
| 7 | 513194 | ENGINE SUPPORT BLOCK (REAR) | 2 | |
| 8 | 4280937 | OIL COOLER | 1 | |
| 9 | EM98190 | DEUTZ ENGINE | 1 | |

THROTTLE ASSY.



NOTES:

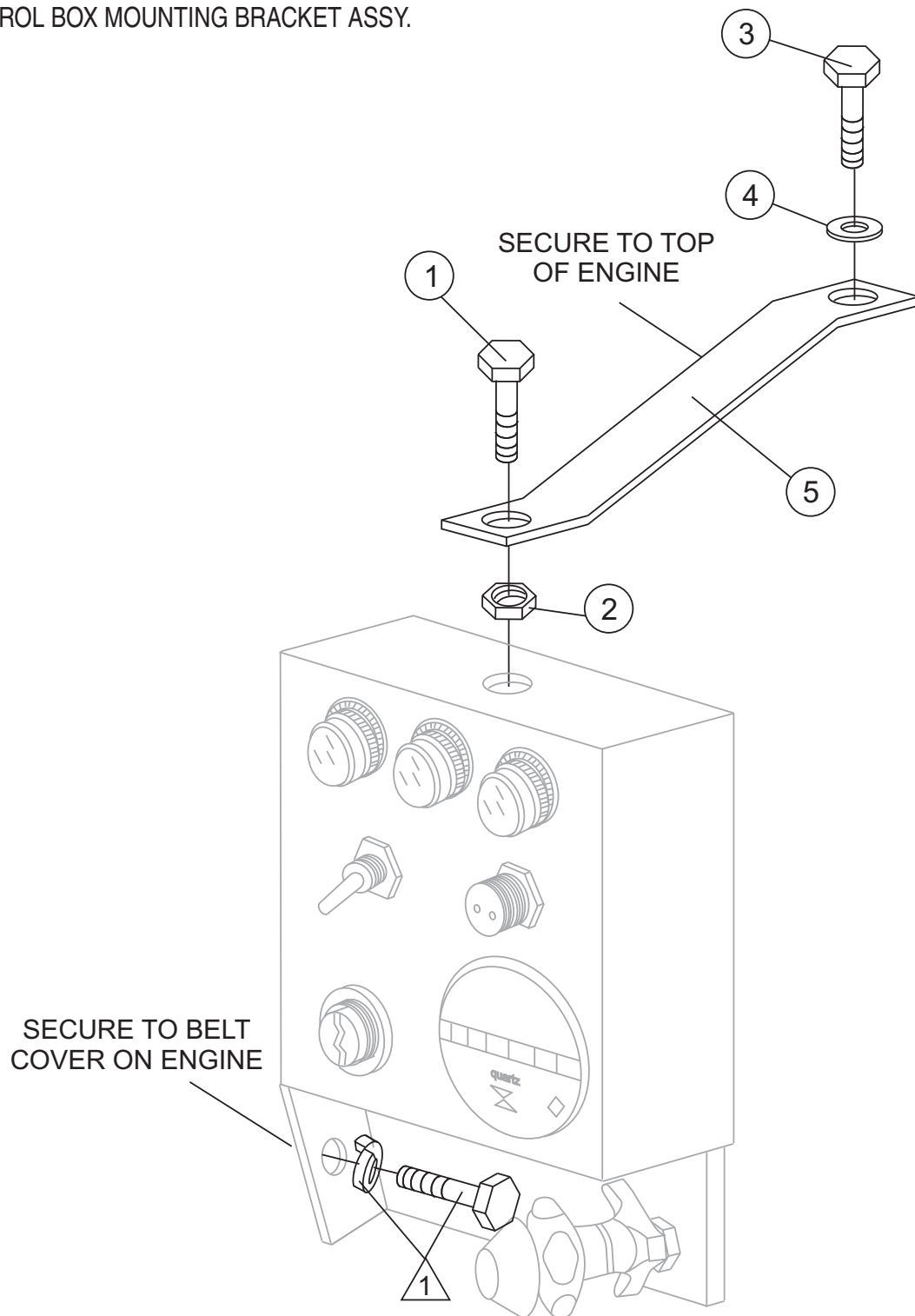
△ CONNECT TO CLUTCH
SIDE OF ENGINE

THROTTLE ASSY.

| <u>NO.</u> | <u>PART NO.</u> | <u>PART NAME</u> | <u>QTY.</u> | <u>REMARKS</u> |
|-------------------|------------------------|--------------------------|--------------------|-----------------------|
| 1 | 492582 | NYLON LOCK NUT | 1 | |
| 2 | 505679 | FLAT WASHER 5/16" | 1 | |
| 3 | 492363 | SCREW 5/16" x 3/4" | 1 | |
| 4 | 512728 | THROTTLE LEVER | 1 | |
| 5 | 492582 | NUT 5/16" NC | 2 | |
| 6 | 492366 | SCREW 5/16" x 1 1/2" | 1 | |
| 7 | 492622 | LOCK WASHER 1/4" | 1 | |
| 8 | 506599 | SCREW M6 x 15 | 1 | |
| 9 | 492581 | NYLON LOCK NUT 1/4" INS | 1 | |
| 10 | EM400 | NYLON LOCK NUT 1/4" HEX | 1 | |
| 11 | 492357 | SCREW 1/4"x 1" | 1 | |
| 12 | EM50449 | FITTING | 2 | |
| 13 | 492358 | SCREW 1/4" x 1 1/4" | 1 | |
| 14 | 492561 | NYLON LOCK NUT 1/4" HEX | 1 | |
| 15 | CC700 | OIL CYLINDER | 1 | |
| 16 | 508443 | HOSE .381-4 15" LONG | 2 | |
| 17 | EM25429 | FITTING | 2 | |
| 18 | 492596 | FLAT WASHER 1/4" | 1 | |
| 19 | 492622 | LOCK WASHER 1/4" | 1 | |
| 20 | 492359 | SCREW 1/4" x 1 1/2" | 1 | |
| 21 | EM25511 | FITTING | 1 | |
| 22 | EM25571 | BODY 118206-01 | 1 | |
| 23 | EM98228 | COIL WA 704107-12 | 1 | |
| 24 | EM98232 | SPOOL 12 C51SM-10 | 1 | |
| 25 | EM25576 | HOSE 3RLA-4F JX-20 | 2 | |
| 26 | EM25504 | ELBOW 90 DEGREE | 1 | |
| 27 | EM50449 | FITTING ELBOW | 1 | |
| 28 | EM25577 | FITTING | 1 | |
| 29 | 521730 | SUPPORT, PISTON | 1 | |
| 30 | 505679 | FLAT WASHER 5/16" | 1 | |
| 31 | 492369 | SCREW 5/16" x 2 1/4" | 1 | |
| 32 | 512729 | SUPPORT, OIL FILTER | 1 | |
| 33 | 509252 | SCREW M10 x 20 | 1 | |
| 34 | 492624 | LOCK WASHER 3/8" | 1 | |
| 35 | 492582 | NYLON LOCK NUT 5/16" INS | 1 | |
| 36 | 492598 | WASHER, LOCK 3/4" ESP | 1 | |
| 37 | 513222 | FITTING | 1 | |
| 38 | 513219 | HOSE | 1 | |
| 39 | 513218 | FITTING | 1 | |

CONTROL BOX MOUNTING BRACKET ASSY.

CONTROL BOX MOUNTING BRACKET ASSY.



NOTES:

 COMES WITH ENGINE

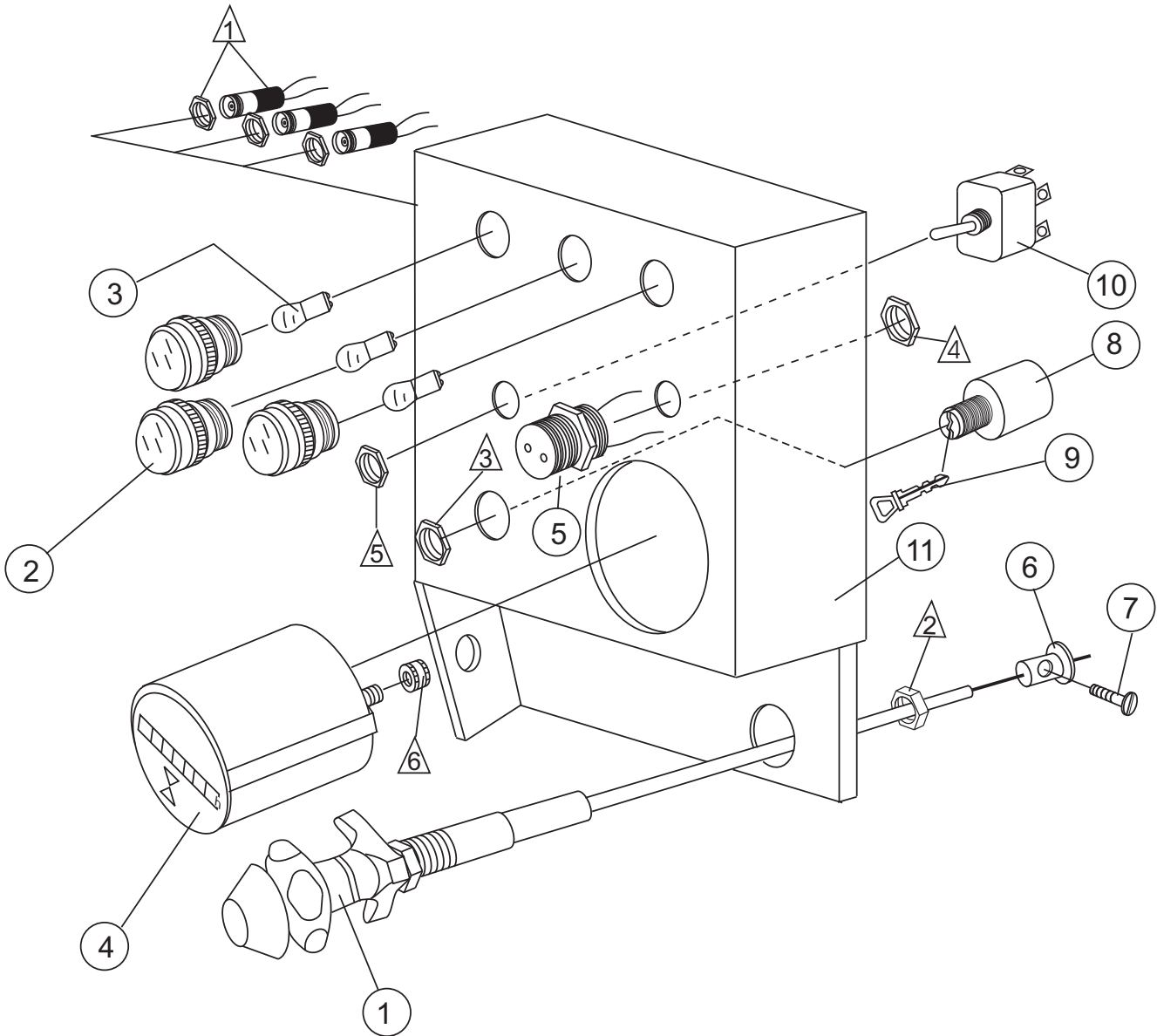
CONTROL BOX MOUNTING BRACKET ASSY.

CONTROL BOX MOUNTING BRACKET ASSY.

| <u>NO.</u> | <u>PART NO.</u> | <u>PART NAME</u> | <u>QTY.</u> | <u>REMARKS</u> |
|------------|-----------------|----------------------------|-------------|----------------|
| 1 | 492363 | SCREW, HHC 5/16- 18 X 3/4" | 1 | |
| 2 | 492582 | NUT, NYLOC 5/16- 18 | 1 | |
| 3 | 506559 | SCREW, HHC M6 X 20 P-1 | 1 | |
| 4 | 492596 | WASHER, FLAT 1/4" | 1 | |
| 5 | 513380 | SUPPORT, CONTROL PANEL | 1 | |

CONTROL BOX ASSY.

CONTROL BOX ASSY.



NOTES:

- ① LAMP HOLDER INCLUDED WITH ITEMS 13, 14, & 15
- ② INCLUDED WITH ITEM 1, THROTTLE CABLE P/N 510229
- ③ INCLUDED WITH ITEM 8, IGNITION SWITCH P/N 10958
- ④ INCLUDED WITH ITEM 5, REMOTE OUTLET PLUG P/N Em26789
- ⑤ INCLUDED WITH ITEM 10, PUMPING CONTROL SWITCH P/N 40711
- ⑥ INCLUDED WITH ITEM 4, HOUR METER P/N 506222

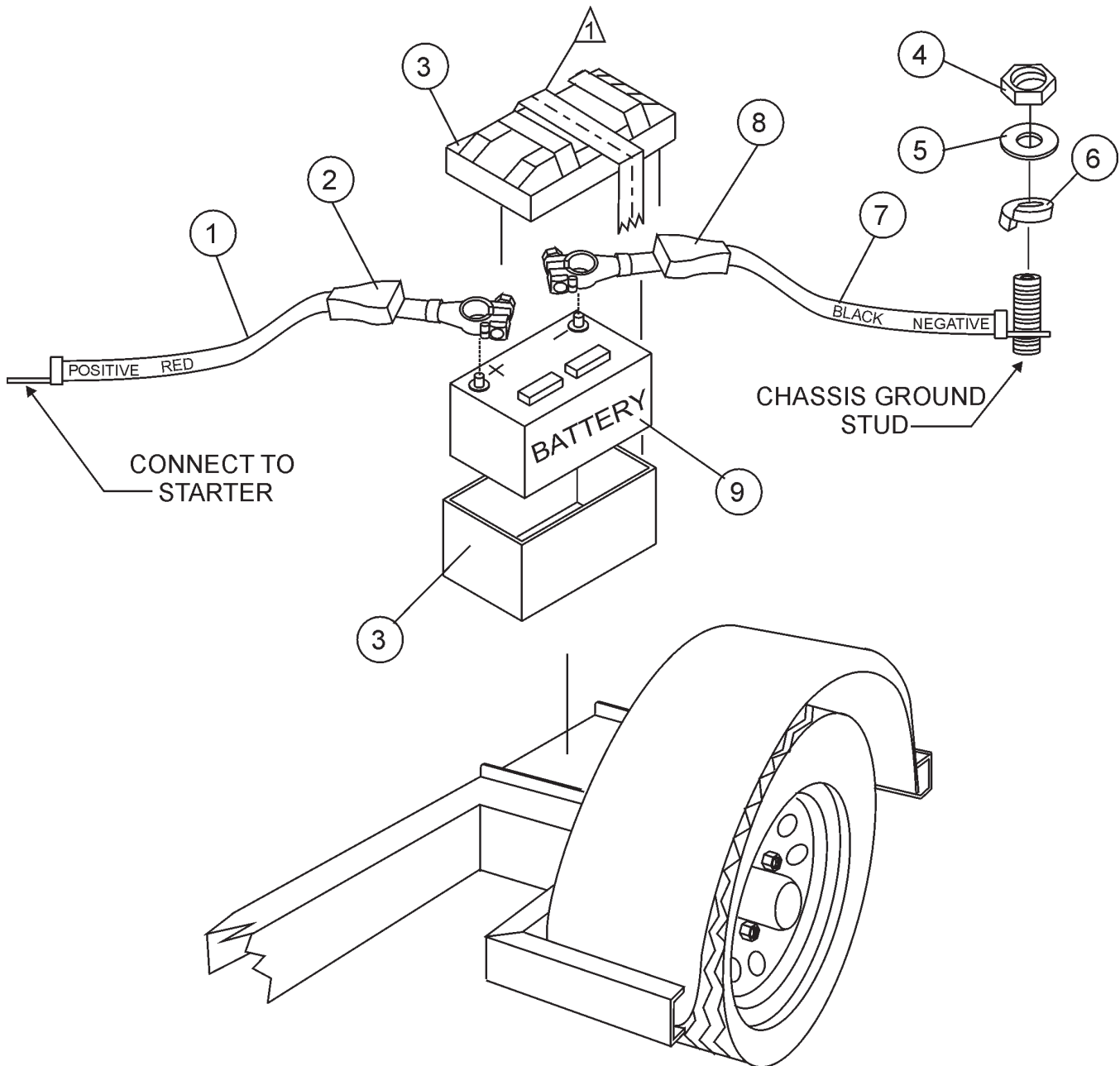
CONTROL BOX ASSY.

CONTROL BOX ASSY.

| <u>NO.</u> | <u>PART NO.</u> | <u>PART NAME</u> | <u>QTY.</u> | <u>REMARKS</u> |
|------------|-----------------|----------------------------------|-------------|----------------|
| 1 | 510229 | THROTTLE CABLE ASSY. | 1 | |
| 3 | 01180677 | 12 VDC BULB | 3 | |
| 4 | 506222 | HOURMETER | 1 | |
| 5 | EM26789 | RECEPTACLE (REMOTE) | 1 | |
| 6 | EM501102 | LOCK, ACCELERATOR COUPLING | 1 | |
| 7 | EM491089 | SCREW, 1/4" | 1 | |
| 8 | 0302735 | IGNITION SWITCH | 1 | |
| 9 | 0302736 | IGNITION SWITCH KEY | 1 | |
| 10 | EM40711 | SWITCH, PUMPING CONTROL | 1 | |
| 11 | EM513076 | CONTROL BOX | 1 | |
| 13 | 01180383 | RED PILOT LENS (OIL PRESSURE) | 1 | |
| 14 | 01180384 | RED PILOT LENS (BATTERY) | 1 | |
| 15 | 01180382 | RED PILOT LENS (OIL TEMPERATURE) | 1 | |

BATTERY ASSY.

BATTERY ASSY.



NOTES:

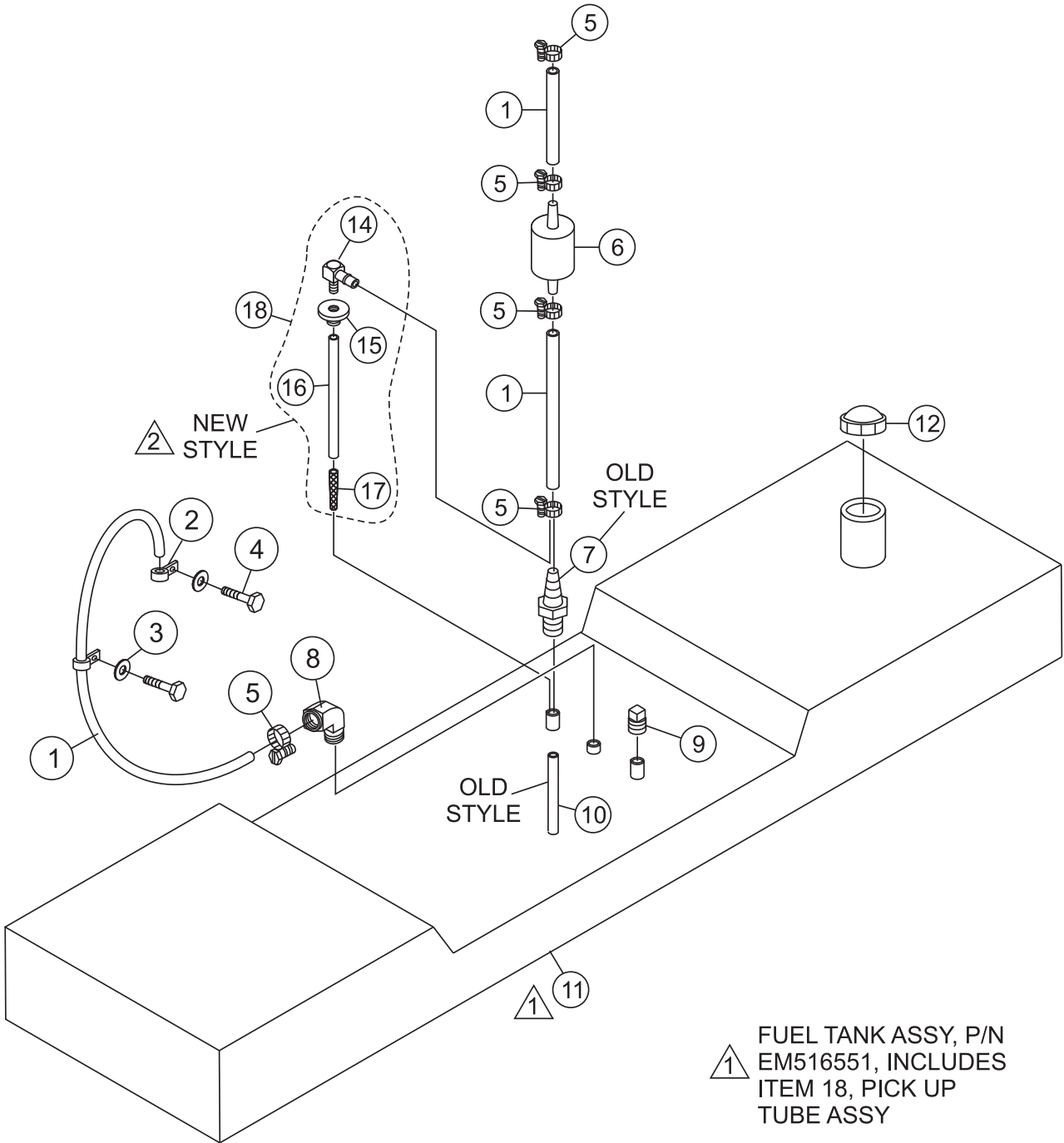
- ⚠ BATTERY HOLD-DOWN STRAP IS INCLUDED WITH ITEM 3, P/N 34506

BATTERY ASSY.

| <u>NO.</u> | <u>PART NO.</u> | <u>PART NAME</u> | <u>QTY.</u> | <u>REMARKS</u> |
|-------------------|------------------------|--------------------------|--------------------|-----------------------|
| 1 | EM14705 | CABLE, POSITIVE BATTERY | 1 | |
| 2 | EM506266 | COVER, POSITIVE TERMINAL | 1 | |
| 3 | 34506 | BOX, BATTERY | 1 | |
| 4 | EM492541 | NUT, HEX 5/16- 18 | 1 | |
| 5 | EM923023 | WASHER, FLAT 5/16 | 1 | |
| 6 | EM923343 | WASHER, LOCK 5/16 | 1 | |
| 7 | EM20720 | CABLE, NEGATIVE BATTERY | 1 | |
| 8 | EM505624 | COVER, NEGATIVE TERMINAL | 1 | |
| 9 | EM491344 | BATTERY, 12 VOLT | 1 | |

FUEL TANK ASSY.

FUEL TANK ASSY.



△ 1 FUEL TANK ASSY, P/N EM516551, INCLUDES ITEM 18, PICK UP TUBE ASSY

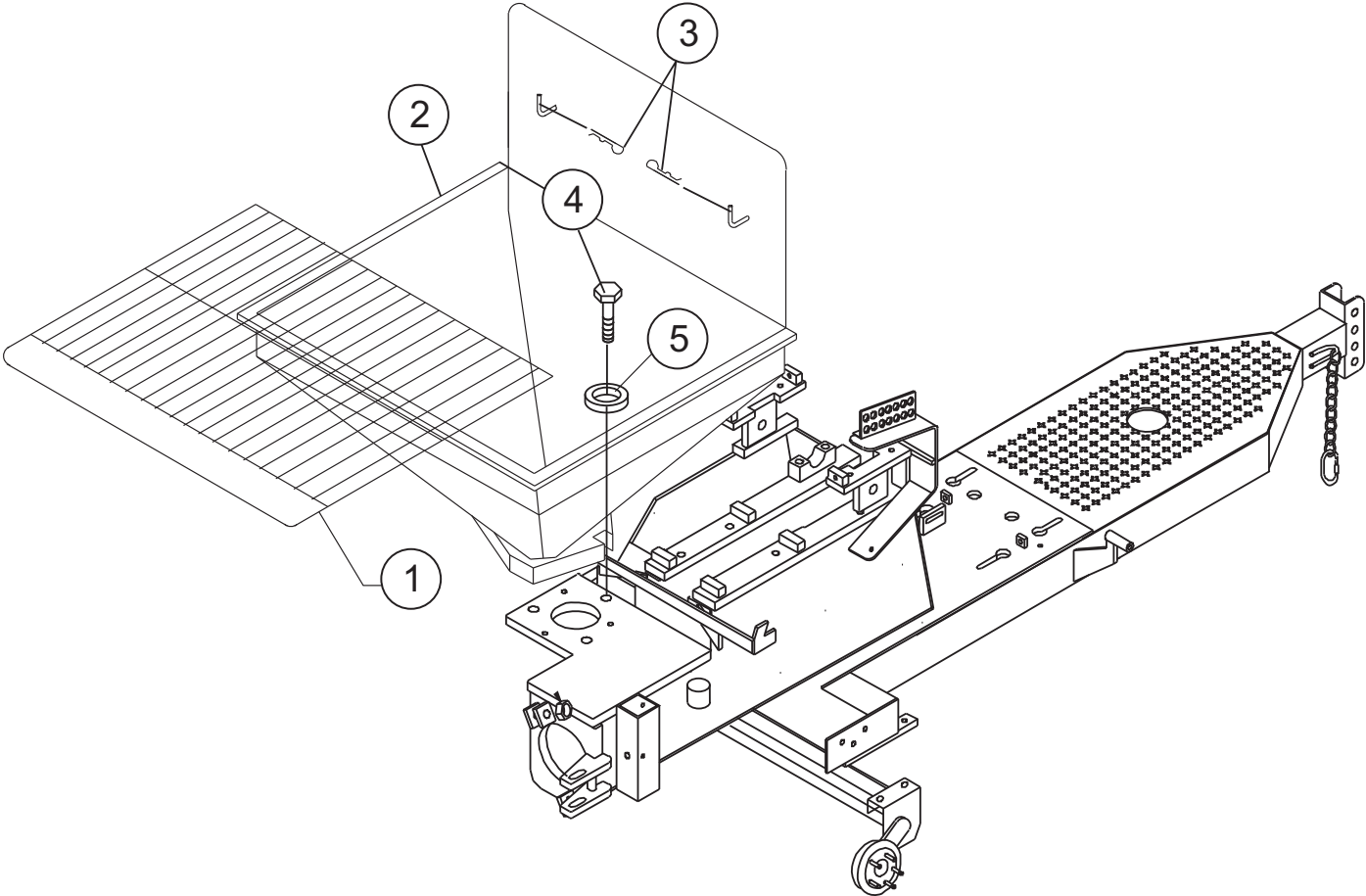
△ 2 ITEM 18, PICK UP TUBE ASSY, REPLACED ITEM 7, PIPE, AND ITEM 10, ADAPTER AFTER JULY 2005.

FUEL TANK ASSY.

FUEL TANK ASSY.

| <u>NO.</u> | <u>PART NO.</u> | <u>PART NAME</u> | <u>QTY.</u> | <u>REMARKS</u> |
|------------|-----------------|-----------------------------|-------------|--------------------|
| 1 | 6636A | HOSE, FUEL LINE 5/16" | A/R? | |
| 2 | TBD | CLAMP, HOSE | 2 | |
| 3 | TBD | WASHER, FLAT | 2 | |
| 4 | TBD | BOLT | 2 | |
| 5 | 6109152 | CLAMP, HOSE | 5 | |
| 6 | EM20763 | FILTER, FUEL | 1 | |
| 7 | EM513115 | ADAPTER NLA | 1 | BEFORE JULY 2005 |
| 8 | EM20426 | FITTING 1/4" | 1 | |
| 9 | EM491210 | PLUG, 1/4" | 1 | |
| 10 | EM505594 | PIPE, 5/16 COPPER NLA | 1 | BEFORE JULY 2005 |
| 11 | EM514722 | FUEL TANK | 1 | BEFORE JULY 2005 |
| 11 | EM516551 | FUEL TANK ASSY | 1 | INCLUDES ITEM 18 |
| | | | | AFTER JULY 2005 |
| 12 | 2108 | CAP, FUEL | 1 | |
| 14# | 516568 | FITTING 5/16" | 1 | AFTER JULY 2005 |
| 15# | 19633 | BUSHING | 1 | AFTER JULY 2005 |
| 16# | 60058 | HOSE, 4-1/2" | 1 | AFTER JULY 2005 |
| 17# | 12009 | SCREEN | 1 | AFTER JULY 2005 |
| 18 | EM516533 | PICK UP TUBE ASSY | 1 | INCLUDES ITEMS W/# |
| | | | | AFTER JULY 2005 |

HOPPER ASSY.

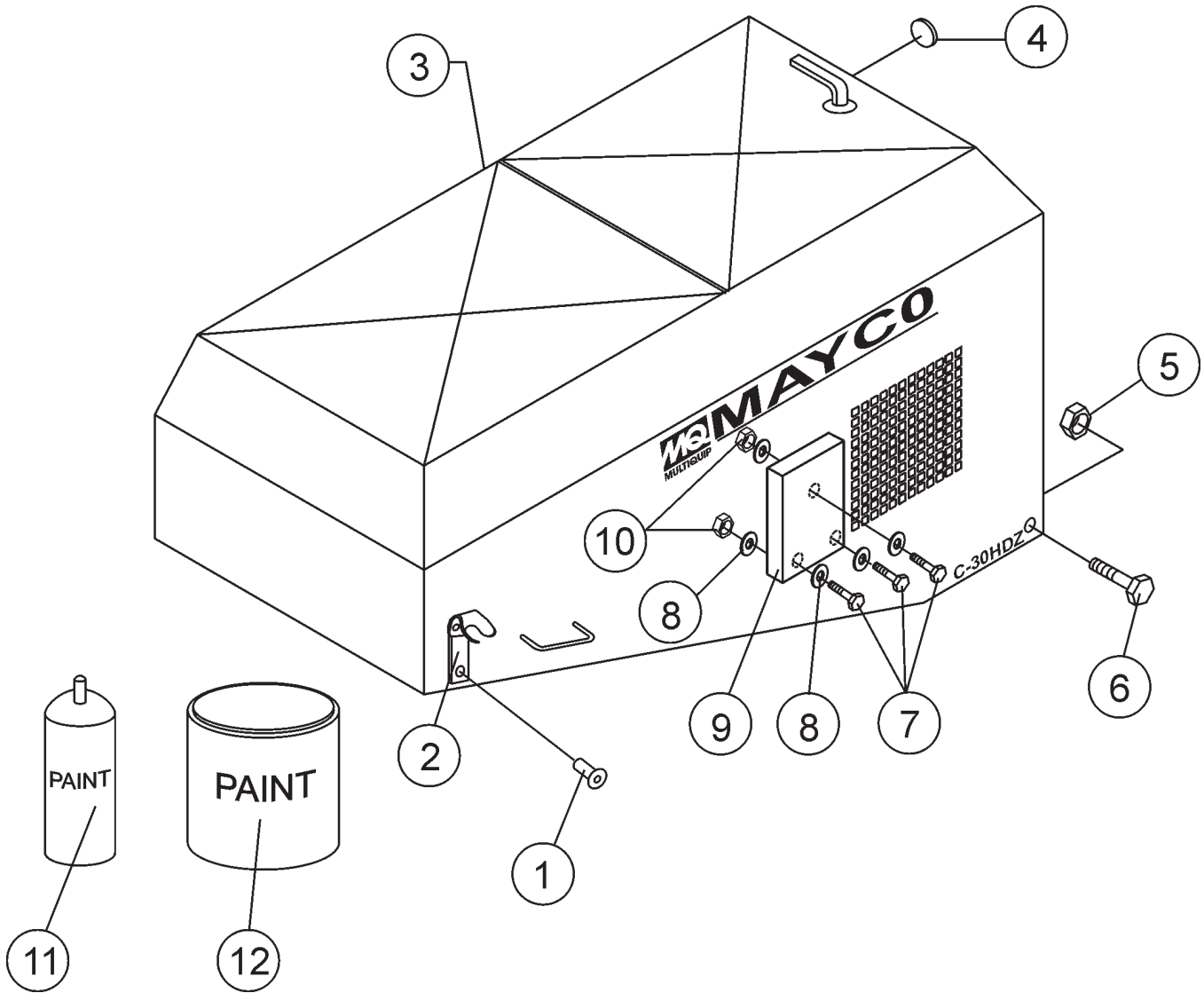


HOPPER ASSY.

HOPPER ASSY.

| <u>NO.</u> | <u>PART NO.</u> | <u>PART NAME</u> | <u>QTY.</u> | <u>REMARKS</u> |
|------------|-----------------|---------------------------|-------------|----------------|
| 1 | EM14159 | HOPPER SCREEN | 1 | |
| 2 | EM14141 | HOPPER | 1 | |
| 3 | EM925191 | PIN, HAIR | 2 | |
| 4 | EM104 | BOLT, 5/8"-11X2" HEX HEAD | 3 | |
| 5 | EM507599 | WASHER 5/8" FLAT | 3 | |

HOOD ASSY.

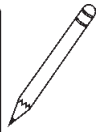
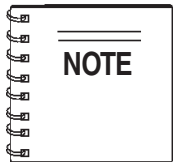
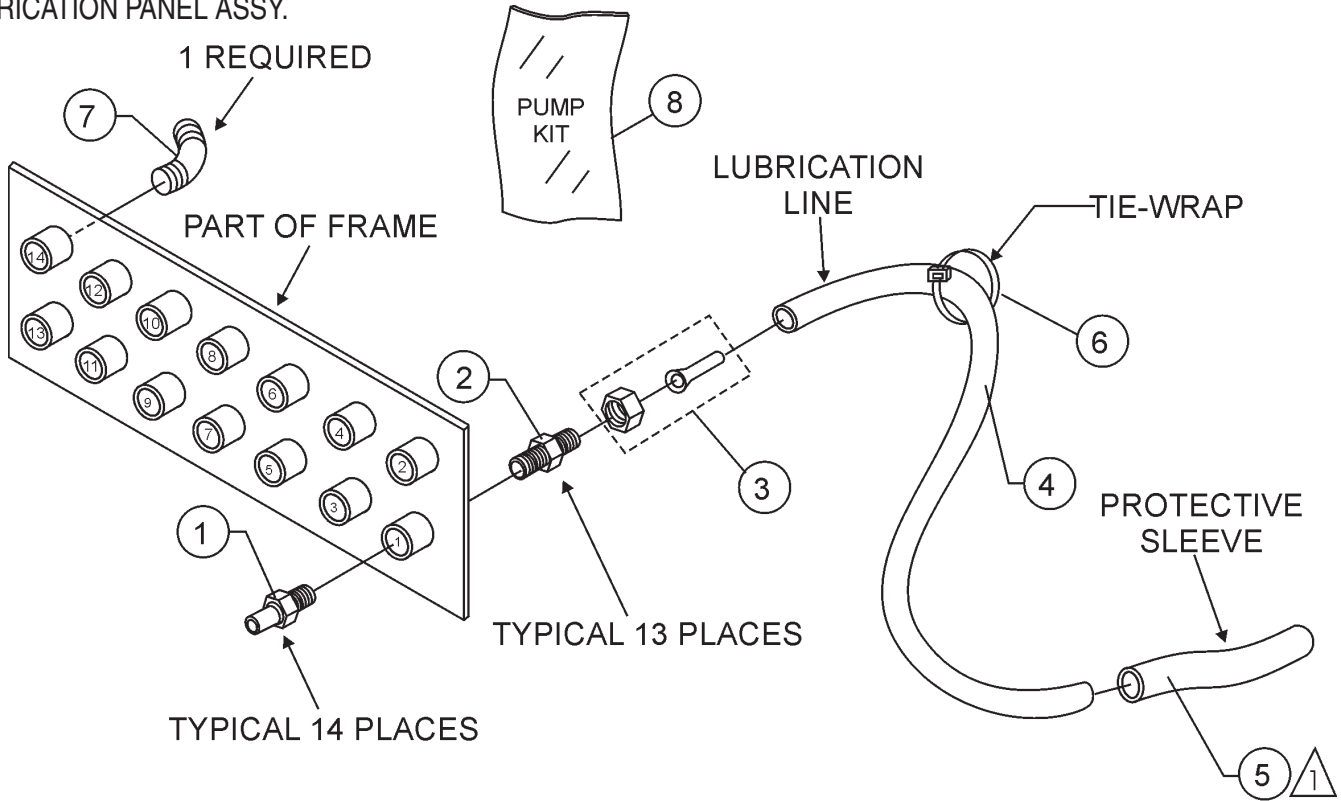


HOOD ASSY.

| <u>NO.</u> | <u>PART NO.</u> | <u>PART NAME</u> | <u>QTY.</u> | <u>REMARKS</u> |
|------------|-----------------|----------------------------------|-------------|----------------|
| 1 | 503723 | RIVET | 4 | |
| 2 | 491010 | LATCH KIT | 2 | |
| 3 | EM14140 | HOOD ASSY. | 1 | |
| 4 | 490937 | BUMPER, RUBBER | 2 | |
| 5 | EM406 | NUT 1/2"-13 HEAVY HEX | 2 | |
| 6 | EM124 | BOLT 1/2" DIA-NC X4" G5 | 2 | |
| 7 | EM963003 | SCREW, HHC 1/4-20 X 3/4 | 3 | |
| 8 | EM923057 | WASHER | 3 | |
| 9 | 29057 | MANUAL HOLDER | 1 | |
| 10 | EM969079 | NUT LOC NYLON 1/4 | 3 | |
| 11 | RAL1003S | PAINT, SPRAY CAN 12 OZ. (YELLOW) | AR | |
| 12 | RAL1003G | PAINT, GALLON (YELLOW) | AR | |
| 12 | RAL1003Q | PAINT, QUART (YELLOW) | AR | |

LUBRICATION PANEL ASSY.

LUBRICATION PANEL ASSY.



Grease **daily**, two to three shots of #2 multi-purpose automotive grease. Over-greasing any bearing will not damage the machine.

NOTES:

⚠ PLACE PROTECTIVE SLEEVE OVER LUBRICATION LINES 1 THROUGH 6.

| <u>POSITION</u> | <u>LOCATION</u> | <u>LENGTH OF LINES</u> |
|-----------------|---|------------------------|
| 1 | COMPENSATOR ROD | 28" |
| 2 | COMPENSATOR ROD | 31" |
| 3 | COMPENSATOR ROD | 28" |
| 4 | LOWER ROCKER ARM COMPENSATOR ROD | 34" |
| 5 | LOWER CONNECTING ROD- DRIVE SIDE | 10" |
| 6 | LOWER ROCKER ARM - DRIVE SIDE | 15" |
| 7 | UPPER ROCKER ARM - COMPENSATOR SIDE | 28" |
| 8 | UPPER ROCKER ARM - DRIVE SIDE | 26" |
| 9 | COUNTER SHAFT BEARING - SPROCKET SIDE | 20" |
| 10 | COUNTER SHAFT - PULLEY SIDE | 20" |
| 11 | UPPER CONNECTING ROD - DRIVE SIDE | 40" |
| 12 | CRANKSHAFT BEARING BLOCK | 42" |
| 13 | CAM BEARING | 42" |
| 14 | CRANKSHAFT BEARING FLANGE | 20" |
| | TOTAL LENGTH OF LINES REQUIRED | 384" |

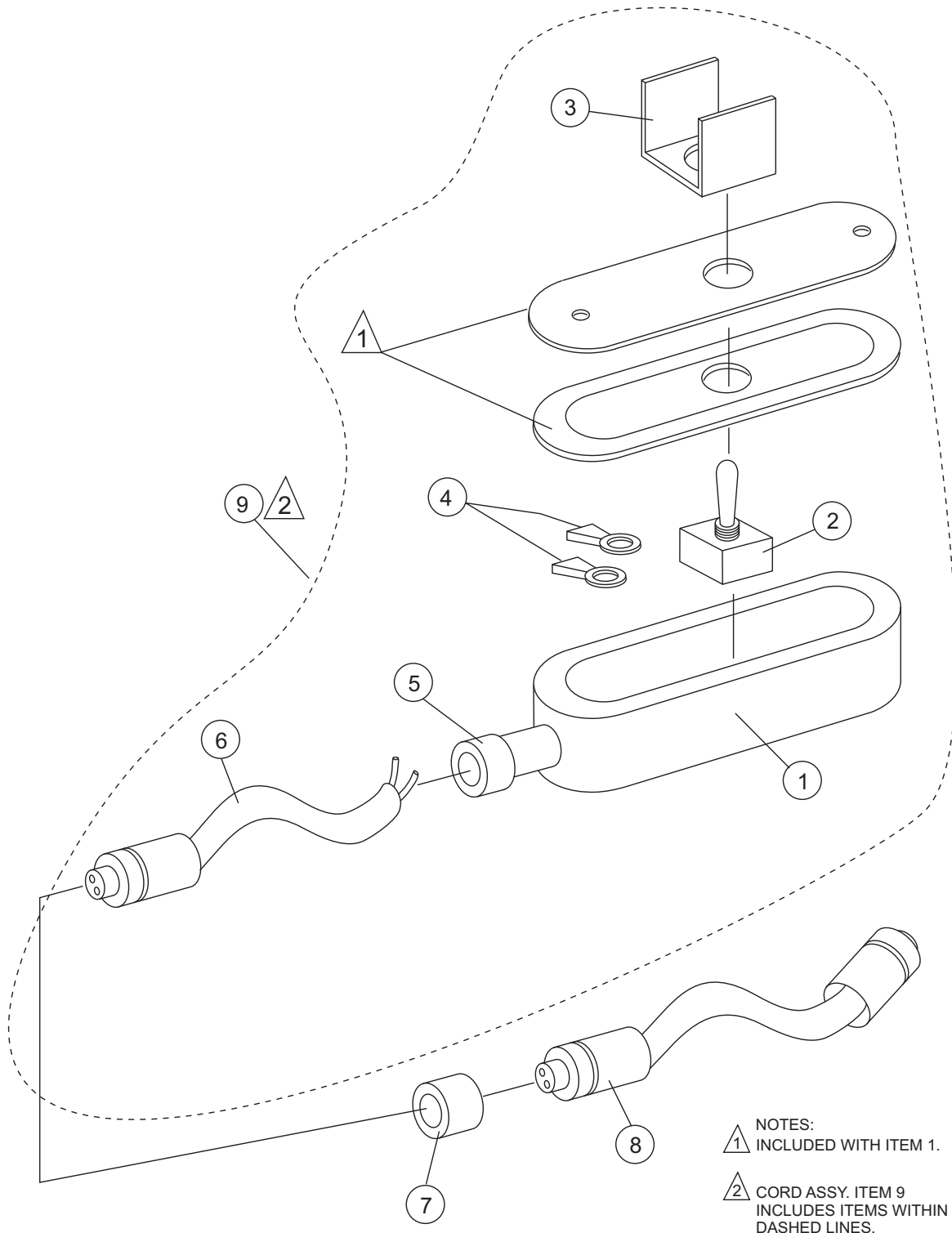
LUBRICATION PANEL ASSY.

LUBRICATION PANEL ASSY.

| <u>NO.</u> | <u>PART NO.</u> | <u>PART NAME</u> | <u>QTY.</u> | <u>REMARKS</u> |
|------------|-----------------|---|-------------|--------------------|
| 1* | EM916001 | FITTING, GREASE 1/8" NPT | 14 | |
| 2* | EM505489 | STRAIGHT FITTING 1/8" NPT | 13 | |
| 3* | 505534 | COUPLING W/NUT 1/8" NPT | 14 | |
| 4* | EM505516 | PLASTIC HOSE LINE 1/4" DIA. AR | 1FT=1PC | |
| 5* | EM490531 | PROTECTIVE SLEEVE 3/8" (HOSE) | AR | 1FT=1PC |
| 6* | EM491028 | TIE-WRAP 2.5 x 95 MM | AR | |
| 7* | EM505490 | ADAPTER, 90 DEGREE ELBOW | 1 | |
| 8 | EM512659 | KIT, LUBRICATION | 1 | INCLUDES ITEMS W/* |

REMOTE CONTROL CABLE ASSY.

REMOTE CONTROL CABLE ASSY.



REMOTE CONTROL CABLE ASSY.

REMOTE CONTROL CABLE ASSY.

| <u>NO.</u> | <u>PART NO.</u> | <u>PART NAME</u> | <u>QTY.</u> | <u>REMARKS</u> |
|------------|-----------------|-------------------------------|-------------|--------------------|
| 1* | EM16753 | JUNCTION BOX | 1 | |
| 2* | EM16754 | SWITCH, MICRO | 1 | |
| 3* | EM16756 | GUARD SWITCH - ALUMINUM | 1 | |
| 4* | EM491897 | CONNECTOR, 3/16 RING | 2 | |
| 5* | EM26791 | GRIP CORD SEAL | 1 | |
| 6* | EM26790 | CORD 25' MX P/E | 1 | |
| 7 | EM26793 | ADAPTER CORD GRIP 1/2" | 1 | |
| 8 | EM26792 | ADAPTER CORD 100 FT. | 1 | |
| 9 | EM26788 | REMOTE W/ 25' CORD ONLY | 1 | INCLUDES ITEMS W/* |

TERMS AND CONDITIONS OF SALE — PARTS

PAYMENT TERMS

Terms of payment for parts are net 30 days.

FREIGHT POLICY

All parts orders will be shipped collect or prepaid with the charges added to the invoice. All shipments are F.O.B. point of origin. Multiquip's responsibility ceases when a signed manifest has been obtained from the carrier, and any claim for shortage or damage must be settled between the consignee and the carrier.

MINIMUM ORDER

The minimum charge for orders from Multiquip is \$15.00 net. Customers will be asked for instructions regarding handling of orders not meeting this requirement.

RETURNED GOODS POLICY

Return shipments will be accepted and credit will be allowed, subject to the following provisions:

1. A Returned Material Authorization must be approved by Multiquip prior to shipment.
2. To obtain a Return Material Authorization, a list must be provided to Multiquip Parts Sales that defines item numbers, quantities, and descriptions of the items to be returned.
 - a. The parts numbers and descriptions must match the current parts price list.
 - b. The list must be typed or computer generated.
 - c. The list must state the reason(s) for the return.
 - d. The list must reference the sales order(s) or invoice(s) under which the items were originally purchased.
 - e. The list must include the name and phone number of the person requesting the RMA.
3. A copy of the Return Material Authorization must accompany the return shipment.
4. Freight is at the sender's expense. All parts must be returned freight prepaid to Multiquip's designated receiving point.

5. Parts must be in new and resalable condition, in the original Multiquip package (if any), and with Multiquip part numbers clearly marked.
6. The following items are not returnable:
 - a. Obsolete parts. (If an item is in the price book and shows as being replaced by another item, it is obsolete.)
 - b. Any parts with a limited shelf life (such as gaskets, seals, "O" rings, and other rubber parts) that were purchased more than six months prior to the return date.
 - c. Any line item with an extended dealer net price of less than \$5.00.
 - d. Special order items.
 - e. Electrical components.
 - f. Paint, chemicals, and lubricants.
 - g. Decals and paper products.
 - h. Items purchased in kits.
7. The sender will be notified of any material received that is not acceptable.
8. Such material will be held for five working days from notification, pending instructions. If a reply is not received within five days, the material will be returned to the sender at his expense.
9. Credit on returned parts will be issued at dealer net price at time of the original purchase, less a 15% restocking charge.
10. In cases where an item is accepted, for which the original purchase document can not be determined, the price will be based on the list price that was effective twelve months prior to the RMA date.
11. Credit issued will be applied to future purchases only.

PRICING AND REBATES

Prices are subject to change without prior notice. Price changes are effective on a specific date and all orders received on or after that date will be billed at the revised price. Rebates for price declines and added charges for price increases will not be made for stock on hand at the time of any price change.

Multiquip reserves the right to quote and sell direct to Government agencies, and to Original Equipment Manufacturer accounts who use our products as integral parts of their own products.

SPECIAL EXPEDITING SERVICE

A \$35.00 surcharge will be added to the invoice for special handling including bus shipments, insured parcel post or in cases where Multiquip must personally deliver the parts to the carrier.

LIMITATIONS OF SELLER'S LIABILITY

Multiquip shall not be liable hereunder for damages in excess of the purchase price of the item with respect to which damages are claimed, and in no event shall Multiquip be liable for loss of profit or good will or for any other special, consequential or incidental damages.

LIMITATION OF WARRANTIES

No warranties, express or implied, are made in connection with the sale of parts or trade accessories nor as to any engine not manufactured by Multiquip. Such warranties made in connection with the sale of new, complete units are made exclusively by a statement of warranty packaged with such units, and Multiquip neither assumes nor authorizes any person to assume for it any other obligation or liability whatever in connection with the sale of its products. Apart from such written statement of warranty, there are no warranties, express, implied or statutory, which extend beyond the description of the products on the face hereof.

Effective: February 22, 2006

MECHANICAL DRIVE MODELS

MAYCO PUMP, hereinafter referred to as “Manufacturer”, warrants each new Mayco Pump sold by the manufacturer to be free from defects in material and workmanship, under normal use and service, for a period of one year after the date of delivery to the original retail purchaser. Manufacturer will, at its option, replace or repair at a point designated by the Manufacturer any part or parts which shall appear to the satisfaction of the Manufacturer upon inspection at such point to have been defective in material or workmanship. This warranty does not obligate the Manufacturer to bear any transportation charges or labor charges in connection with the replacement or repair the of the defective parts.

This warranty does not apply to any pump if attempts have been made to pump concrete materials which have separated, to any pump which has been repaired with other than Genuine Mayco Parts, nor to any pump which has been altered, repaired or used in such manner as to adversely affect its performance, nor to normal service or maintenance or where blockages have developed within the pump manifold or placing line or which has been operated in any other manner not recommended by the Manufacturer. Due to the abrasive nature of concrete, Mayco does not cover natural component wear.

THIS WARRANTY AND MANUFACTURER’S OBLIGATION HEREUNDER, IS IN LIEU OF ALL OTHER WARRANTIES, EXPRESS, IMPLIED OR STATUTORY AND ALL OTHER OBLIGATIONS OR LIABILITIES INCLUDING SPECIAL OR CONSEQUENTIAL DAMAGES OR CONTINGENT LIABILITIES ARISING OUT OF THE FAILURE OF ANY PUMP OR PART TO OPERATE PROPERLY, INCLUDING ANY WARRANTIES OF MERCHANTABILITY OR FITNESS FOR A PARTICULAR PURPOSE.

HYDRAULIC DRIVE MODELS

MAYCO PUMP, hereinafter referred to as “Manufacturer”, warrants each new Mayco Pump sold by the manufacturer to be free from defects in material and workmanship, under normal use and service, for a period of one year or 2000 hours after the date of delivery to the original retail purchaser. The Manufacturer will, at its option, replace or repair at a point designated by Manufacturer any part or parts which shall appear to the satisfaction of Manufacturer upon inspection at such point to have been defective in material or workmanship. This warranty does not obligate Manufacturer to bear any transportation charges or labor charges in connection with the replacement or repair of the defective parts.

This warranty does not apply to any pump if attempts have been made to pump concrete materials which have separated, to any pump which has been repaired with other than Genuine Mayco Parts, nor to any pump which has been altered, repaired or used in such manner as to adversely affect it’s performance, nor to normal service or maintenance or where blockages have developed within the pump manifold or placing line or which has been operated in any other manner not recommended by the Manufacturer. Due to the abrasive nature of concrete, Mayco does not cover natural component wear.

THIS WARRANTY AND MANUFACTURER’S OBLIGATION HEREUNDER, IS IN LIEU OF ALL OTHER WARRANTIES, EXPRESS, IMPLIED OR STATUTORY AND ALL OTHER OBLIGATIONS OR LIABILITIES INCLUDING SPECIAL OR CONSEQUENTIAL DAMAGES OR CONTINGENT LIABILITIES ARISING OUT OF THE FAILURE OF ANY PUMP OR PART TO OPERATE PROPERLY, INCLUDING ANY WARRANTIES OF MERCHANTABILITY OR FITNESS FOR A PARTICULAR PURPOSE.

OPERATION AND PARTS MANUAL

HERE'S HOW TO GET HELP

PLEASE HAVE THE MODEL AND SERIAL
NUMBER ON-HAND WHEN CALLING

UNITED STATES

Multiquip Corporate Office

18910 Wilmington Ave. Tel. (800) 421-1244
Carson, CA 90746 Fax (800) 537-3927
Contact: mq@multiquip.com

Service Department

800-421-1244 Fax: 310-537-4259
310-537-3700

Technical Assistance

800-478-1244 Fax: 310-943-2238

MQ Parts Department

800-427-1244 Fax: 800-672-7877
310-537-3700 Fax: 310-637-3284

Warranty Department

800-421-1244 Fax: 310-943-2249
310-537-3700

MEXICO

MQ Cipsa

Carr. Fed. Mexico-Puebla KM 126.5 Tel: (52) 222-225-9900
Momoxpan, Cholula, Puebla 72760 Mexico Fax: (52) 222-285-0420
Contact: pmastretta@cipsa.com.mx

CANADA

Multiquip

4110 Industriel Boul. Tel: (450) 625-2244
Laval, Quebec, Canada H7L 6V3 Tel: (877) 963-4411
Contact: jmartin@multiquip.com Fax: (450) 625-8664

UNITED KINGDOM

Multiquip (UK) Limited Head Office

Unit 2, Northpoint Industrial Estate, Tel: 0161 339 2223
Globe Lane, Fax: 0161 339 3226
Dukinfield, Cheshire SK16 4UJ
Contact: sales@multiquip.co.uk

© COPYRIGHT 2011, MULTIQUIP INC.

Multiquip Inc, the MQ logo and the Mayco logo are registered trademarks of Multiquip Inc. and may not be used, reproduced, or altered without written permission. All other trademarks are the property of their respective owners and used with permission.

This manual MUST accompany the equipment at all times. This manual is considered a permanent part of the equipment and should remain with the unit if resold.

The information and specifications included in this publication were in effect at the time of approval for printing. Illustrations, descriptions, references and technical data contained in this manual are for guidance only and may not be considered as binding. Multiquip Inc. reserves the right to discontinue or change specifications, design or the information published in this publication at any time without notice and without incurring any obligations.

Your Local Dealer is:

