
Spare Part List - INVACARE® Dragon Junior



Table of Contents - INVACARE Dragon

.....	1
Warnings/ Information	4
Dragon Junior	5
Children Seating	5
Table, Dragon Junior	5
Footrest receptacle, Dragon Junior	6
Legrests, Dragon Junior	7
Back Standard, Dragon Junior	8
Seat Sheet metal, Dragon Junior	9
Side parts, Dragon Junior	10
Seat binding, Dragon Junior	11
Seat unit, Dragon Junior	12
Dataplate	14
Chassis	15
Crash kit	16
Shrouds	18
Wheel Suspension/ Wheels	19
Rear chassis	21
Driving unit	22
Electric Support	23
Legrests, sideways mounted	24
Legrests ==> 06/2005	24
Footrest receptacle, cpl., electric 5cm 07/2005 ==>	25
Footrest receptacle cpl., electric 8cm 07/2005 ==>	26
Calf plate holder, right 07/2005 ==>	27
Calf plate holder, left 07/2005 ==>	28
Lighting	29
Front Lights	29
Rear Lights	30
Electronic	31
Cabel	32
ACS-Buscables	32
CLAM-Cables (LIGHTING/ACTUATOR MODULE COMBINED)	32
Battery Cables	32
Seat Unit	33
Back Unit	34
Backrest adjustment setable	34
Backrest adjustment pneumatic -> 2004-30-11	35
Backrest adjustment 01/2005->	36
Upholstery	37
Straps and Head Rests	38

Side Panel	39
Lifter	40
Seat angle adjusting.....	41
Seat hight adjusting.....	42
Control Unit/ Joystickbox.....	43
Attendant Control	44
Control Unit support	45
Desk	46
Options	47
Documentation	48
User Manuals Dragon	48
User Manuals SHARK.....	49
User Manuals REM 24 SD	50
User Manuals miscellaneous	51

Warnings/ Information

△ **Caution: Physical injury and damage to property! Loss of CE conformity and warranty due to modifications and mounting of privately purchased articles without authority!**

Alterations to the vehicle that are not approved by Invacare® and/or do not belong to the standard or optional equipment can

- downgrade vehicle handling to such an extent that the vehicle is no longer controllable,
- restrict functionality to such an extent that this may cause failure of electric/electronic components or become a fire hazard.

Modifications that have not been approved and the mounting of privately purchased articles will lead to the loss of CE conformity, Invacare® will not be liable in the event of physical injury or damage to property.

Expiration of vehicle warranty.

Maintain full efficiency and the safe use of your vehicle, avoid physical injury, damage to property or the loss of CE conformity and warranty by:

- only using original Invacare® spare parts,
- only using installation material of the same quality as the original material,
- never opening electric and electronic components (not even after warranty has expired!),
- never modifying electric, electronic or mechanical components
- never mounting parts obtained from external manufacturers without written approval from Invacare®.

✓ **Information: Definitions.**

What parts are looked upon by Invacare® as being from external manufacturers and as electric/electronic components?

Among other things, parts from external manufacturers that are subject to approval are:

- All electric and electronic components that are connected to the power supply system of the vehicle, such as seat heating, remotes, signal horns, radios.
- All mechanical mounted parts that change vehicle handling, such as trailed units and seat systems.
- In general mounted parts are not permitted that do not conform with the valid road traffic regulations and may thus also not be mounted on Invacare® vehicles.

Electric and electronic components must not be opened, e.g.:

- Electronics
- Drive motors
- Remotes
- Actuators for electric adjustments, e.g. adjustment of the back, legrests and seat angle.

△ **Caution: Risk of injury when assembling and dismantling the vehicle!**

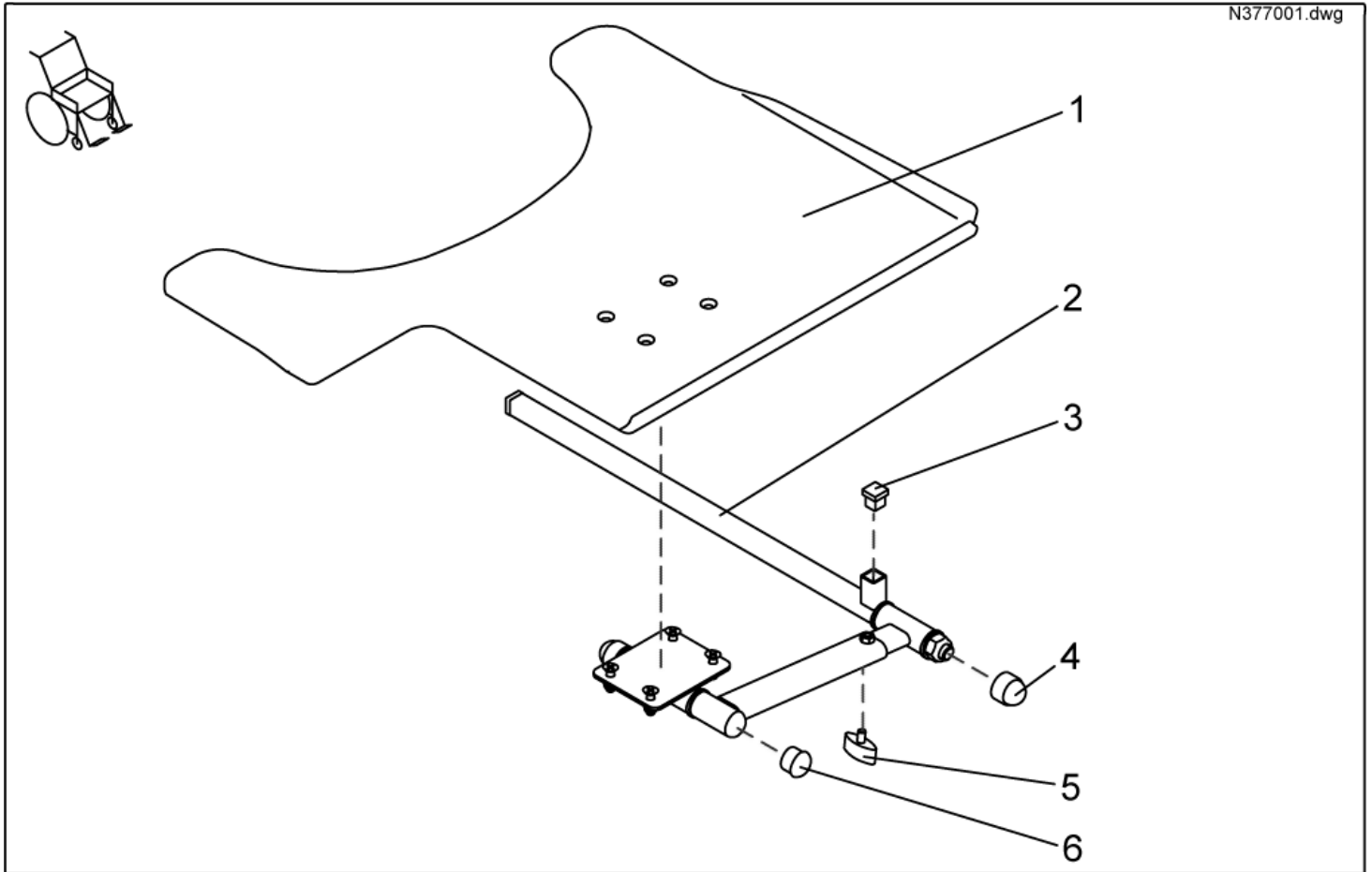
Before commencing any work, ensure that the vehicle is secure. Please read and follow the valid industrial safety regulations. Carry out maintenance and service work according to the service instructions (available separately) in order to avoid physical injury and damage to property. A tool list, illustrated step-by-step instructions and details of tightening torques, will assist you and show how the vehicle remains, or will remain safe and fully serviceable.

✓ **Information: Invacare® addresses and service numbers.**

Addresses and service numbers of Invacare® branches can be found in the operating instructions, in the service instructions and on the Internet.

Children Seating - Table, Dragon Junior

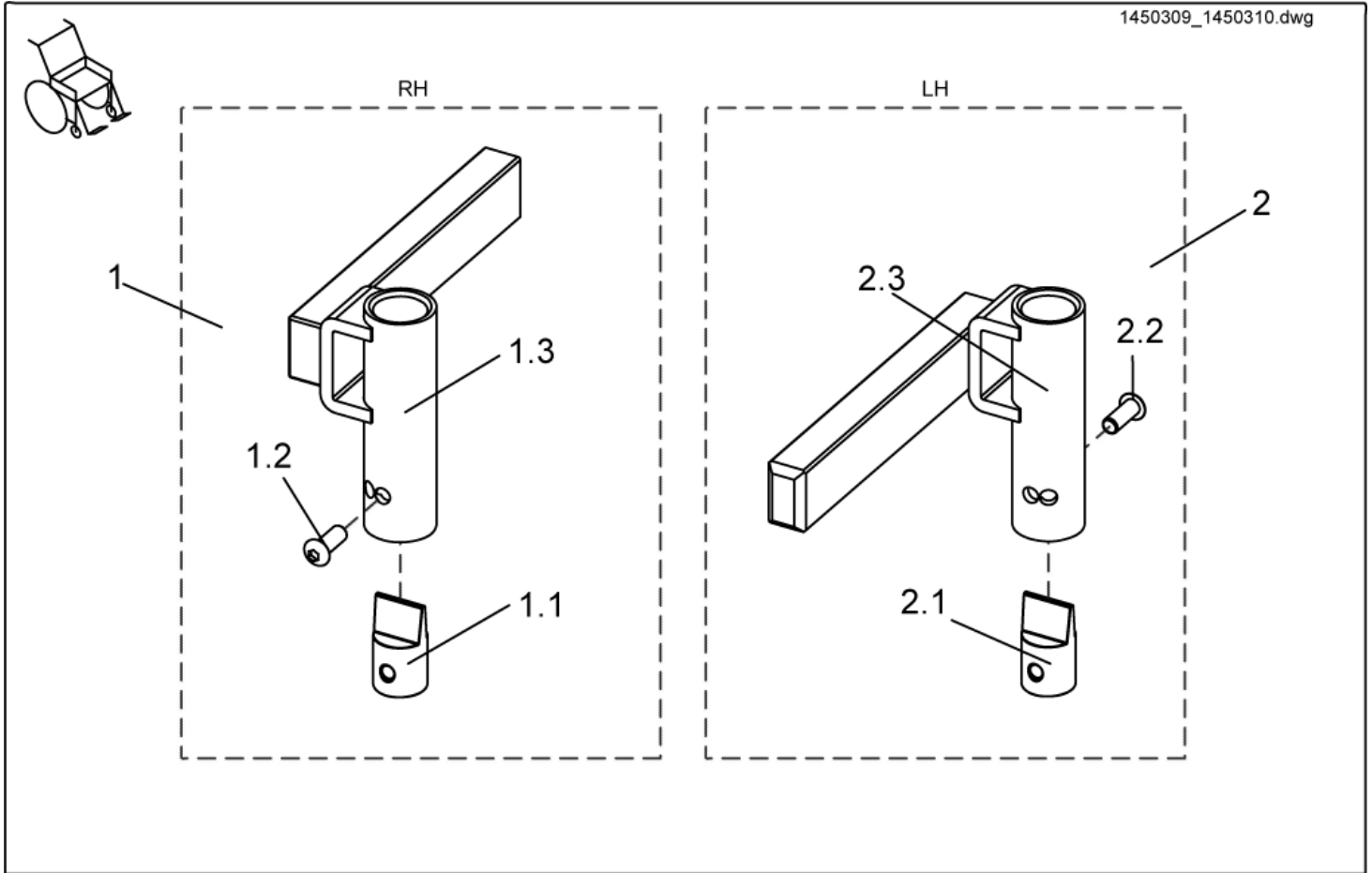
N377001.dwg



item	ordercode	description	quantity
-	N377001	TABLE RH FOLDAWAY WITH HOLDER WITH CUT-OUT FOR REMOTE LH	1
-	N377002	TABLE LH FOLDAWAY WITH HOLDER WITH CUT-OUT FOR REMOTE RH	1
1	4100007	TABLETOP 540 x 420 x 8 MM WITHOUT CUT-OUT	1
1	1415084	TABLETOP CUT LH	1
1	1415083	TABLETOP CUT RH	1
2	1446698	TRAY SUPPORT FIXING KIT CPL.	1
3	L01055	TUBE END PLUG E 15 X 15	2
4	L01037	NUT CAP M12	2
5	L31001	HAND KNOB M6 X 10	1
6	L01008	TUBE END PLUG SL 22	1

Children Seating - Footrest receptacle, Dragon Junior

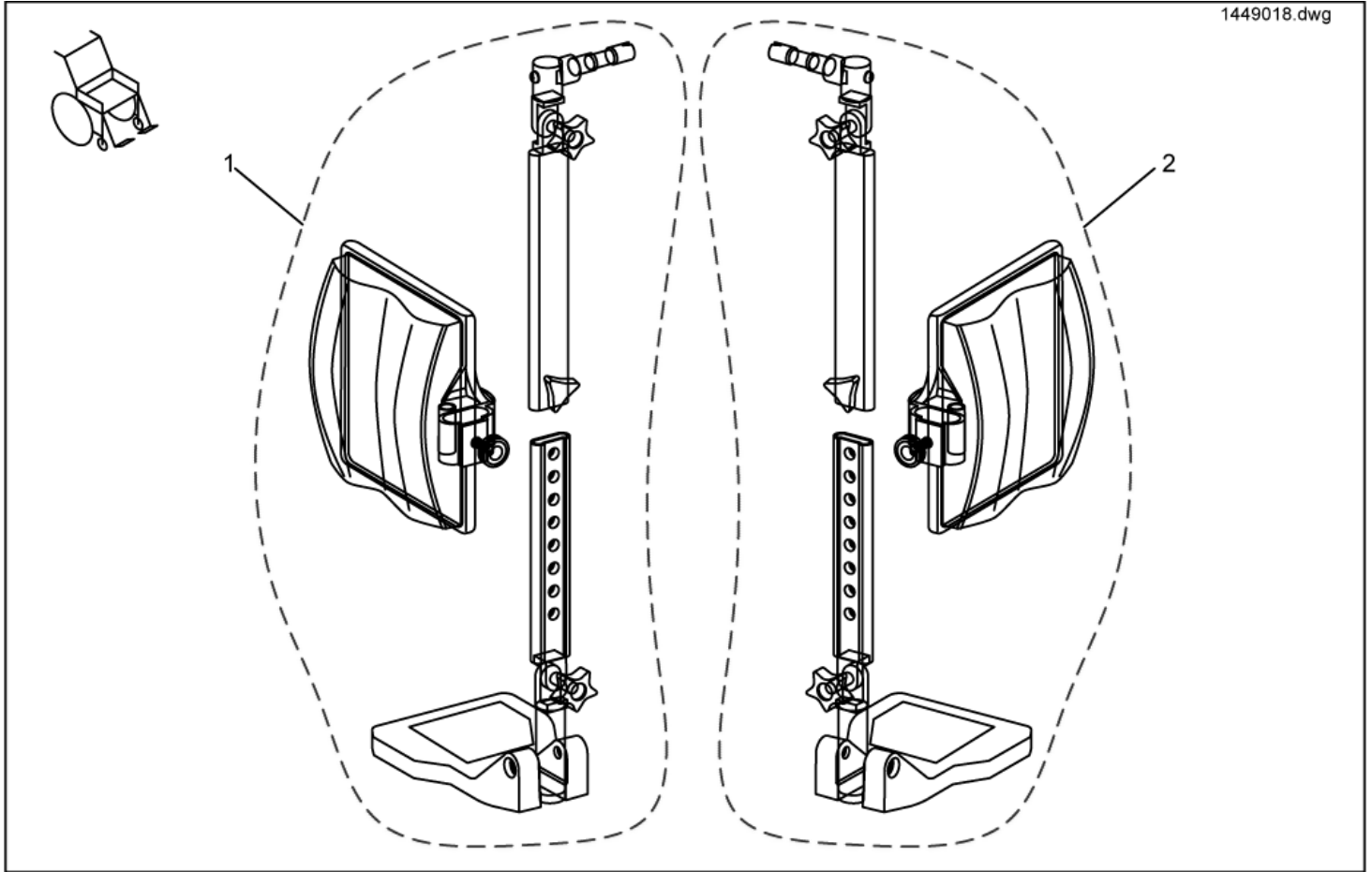
1450309_1450310.dwg



item	ordercode	description	quantity
1	SP1450309	FOOTREST RECEPTACLE RIGHT DRAGON JUNIOR, COMPLETELY	1
2	SP1450310	FOOTREST RECEPTACLE LEFT DRAGON JUNIOR, COMPLETELY	1
1.1	NA	FOOTREST RECEPTACLE, RIGHT DRAGON JUNIOR	1
1.2	NA	SCREW M6X16 ISO7380	1
1.3	NA	INDEXER - KIT A2000 JUNIOR	1
2.1	NA	FOOTREST RECEPTACLE, LH DRAGON JUNIOR	1
2.2	NA	M6X16 ISO7380 SCREW	1
2.3	NA	INDEXER - KIT A2000 JUNIOR	1

Children Seating - Legrests, Dragon Junior

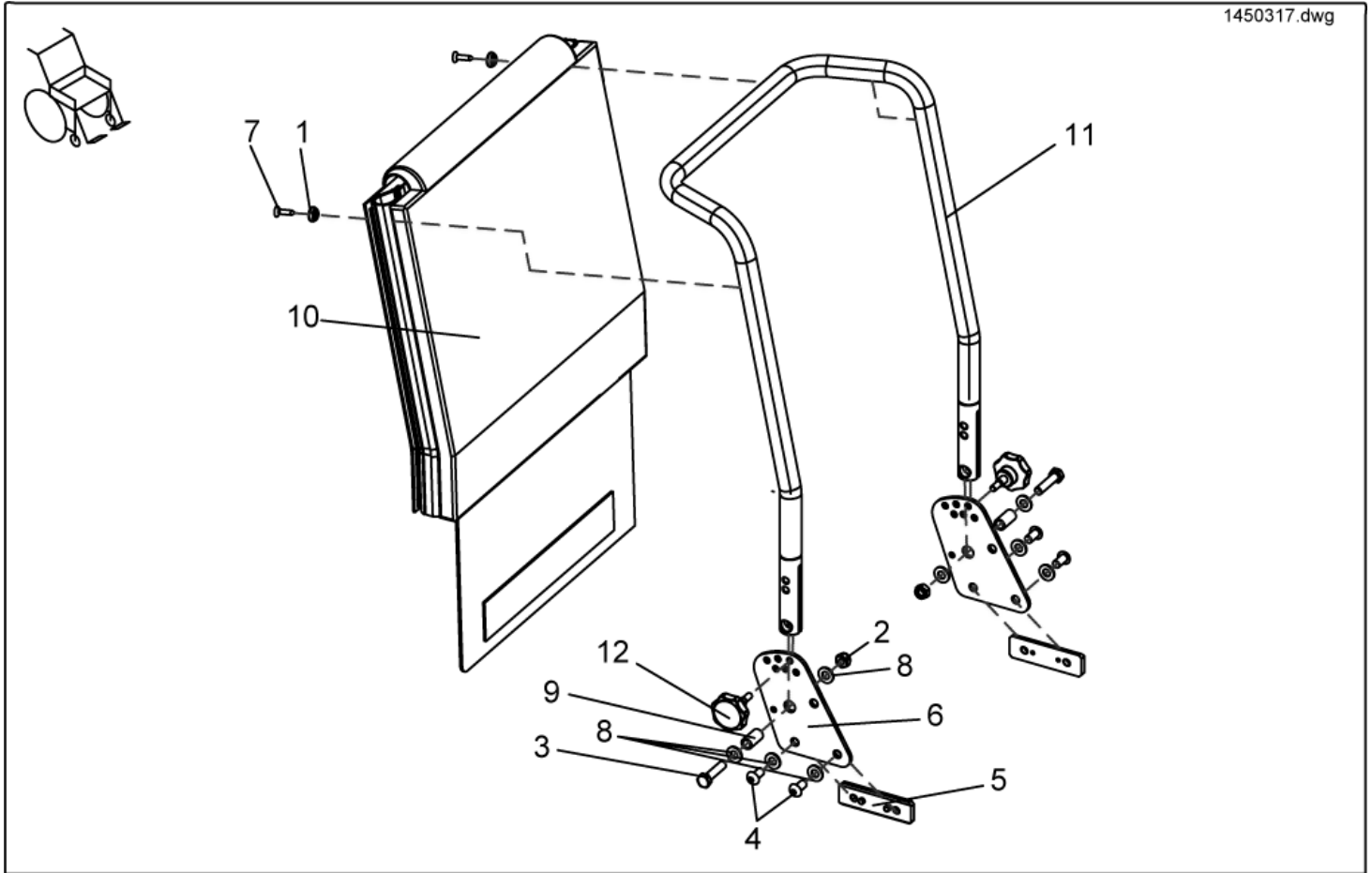
1449018.dwg



item	ordercode	description	quantity
1	1449018-0601	FOOTREST RECEPTACLE RIGHT DRAGON JUNIOR, COMPLETELY	1
2	1449019-0601	FOOTREST RECEPTACLE LEFT DRAGON JUNIOR, COMPLETELY	1

Children Seating - Back Standard, Dragon Junior

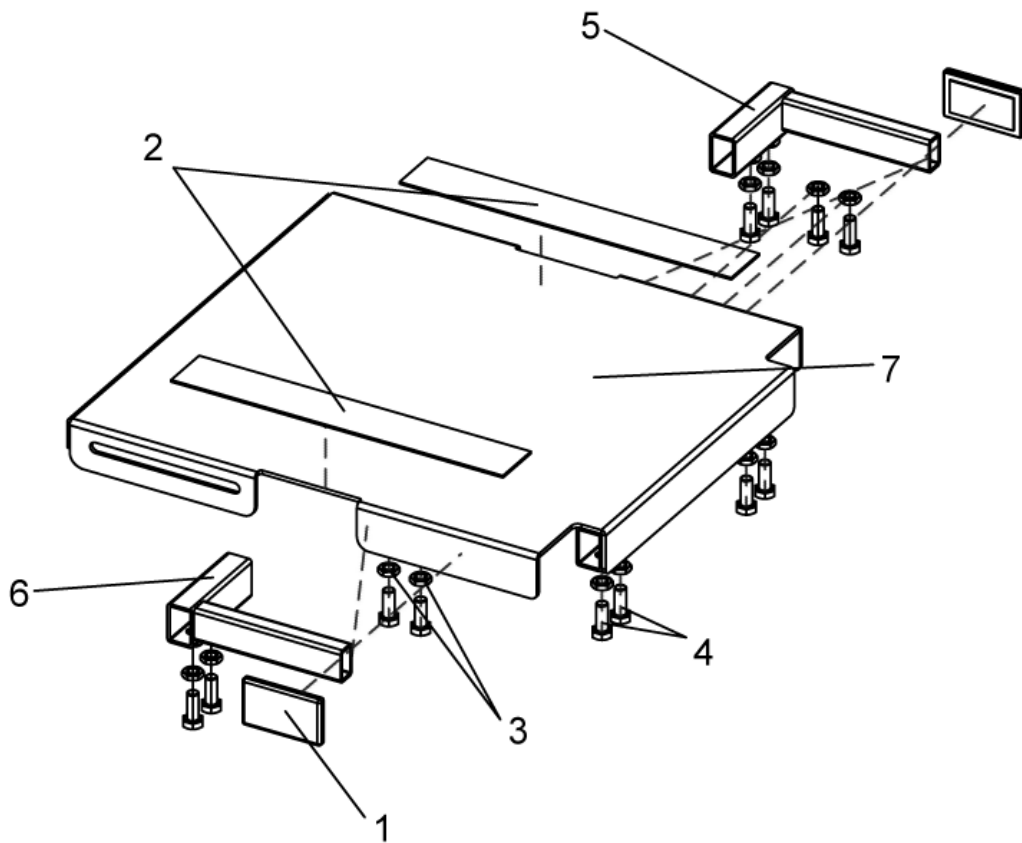
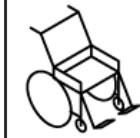
1450317.dwg



item	ordercode	description	quantity
-	NA	BACK DRAGON, COMPLETELY	1
1	5009551	PLASTIC UPHOLSTERY WASHER	2
2	F00002	NYLOC NUT M8	2
3	D08111	HEX HEAD SCREW M8 X 35	2
4	3908508	COUNTERSUNK SCREW W. ALLEN KEY M8*16 10.9	4
5	NA	SCREWING SHEET METAL	2
6	NA	BACK ADJUSTMENT DRAGON JUNIOR	2
7	D16108	COUNTERSUNK SELF-TAPPING CROSS HEAD SCREW 4,8 X 22	2
8	G00107	WASHER 8,4 X 17 X 1,6	8
9	H11036A.99	BUSH RD. 12 X 1.8 X 23	2
10	NA	BACK CUSHION COMPLETELY WITH ATTACHMENT DRAGON JUNIOR	1
11	NA	BACK PIPE COMPLETELY, DRAGON JUNIOR	1
12	SP1420444	STAR GRASP	2

Children Seating - Seat Sheet metal, Dragon Junior

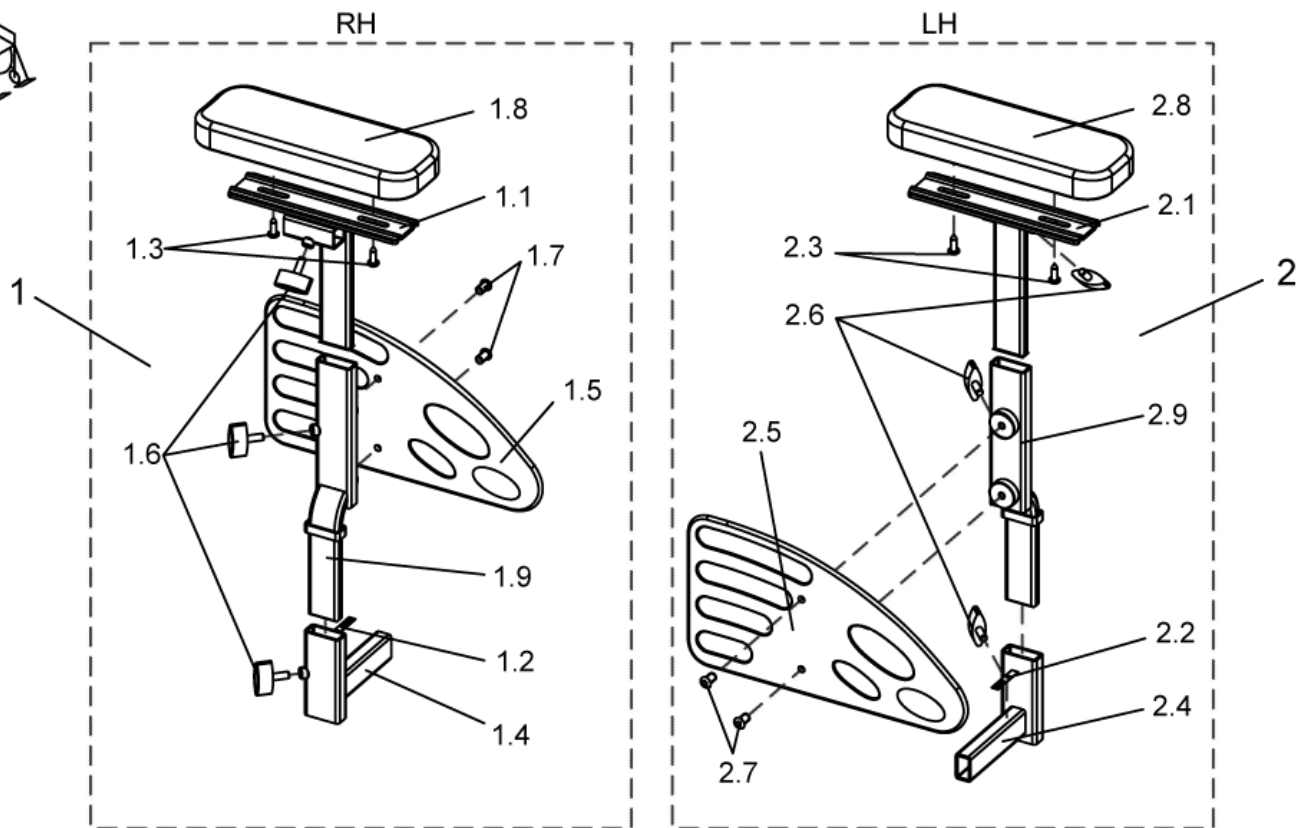
1450311.dwg



item	ordercode	description	quantity
1	P31298	REFLECTOR, YELLOW	2
2	U21087	CUSHION FIXING STRIP - VELCRO FASTENER (HOOKED) 38 X 400	2
3	F10196	HEX NUT M8	12
4	D08144	HEX HEAD SCREW M8 X 20	12
5	NA	SIDE PART HOLDER, LH	1
6	NA	SIDE PART HOLDER, RH	1
7	NA	SEAT SHEET METAL, COMPLETELY	1

Children Seating - Side parts, Dragon Junior

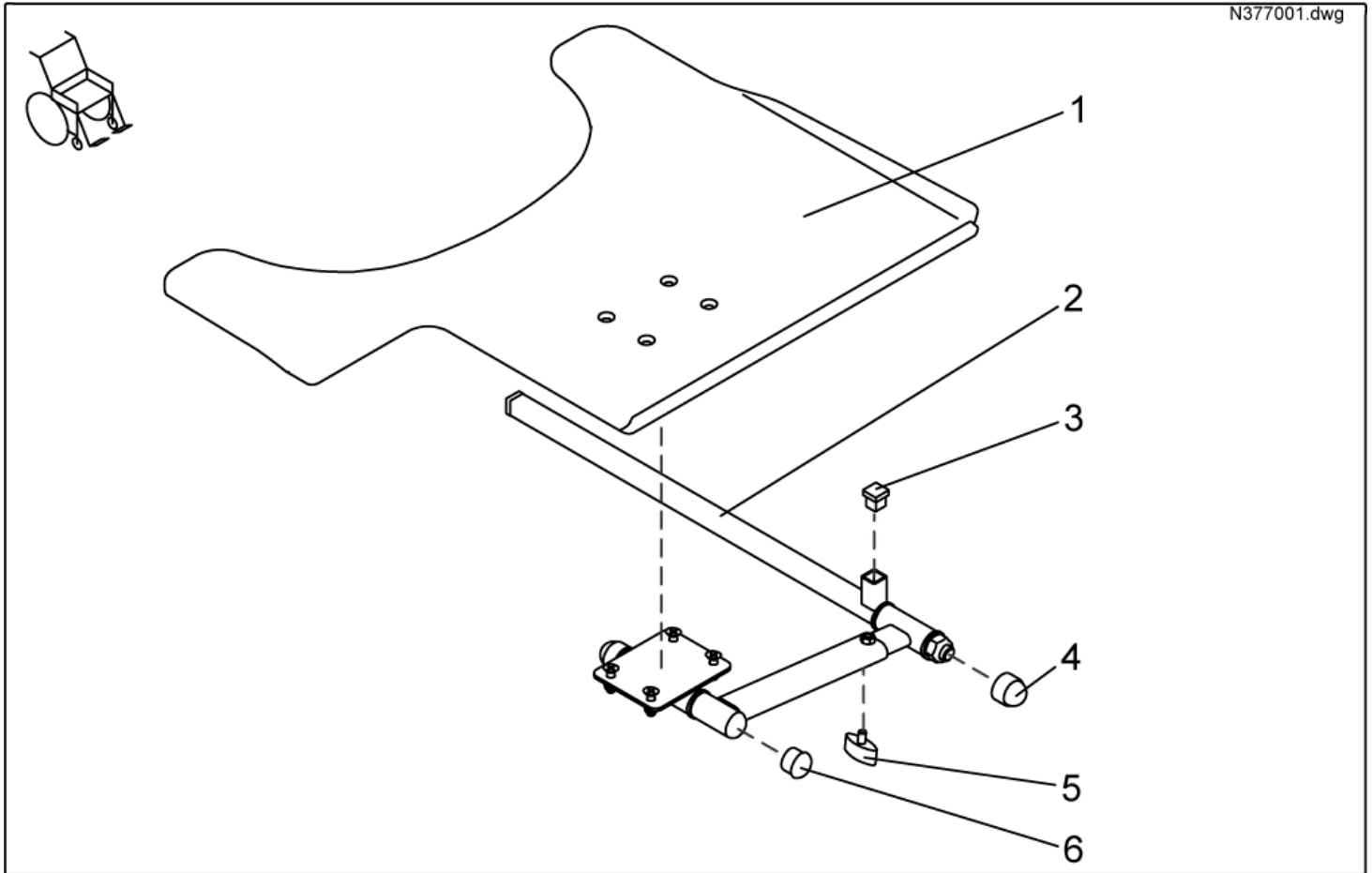
1448702_1448703.dwg



item	ordercode	description	quantity
1	SP1448703	SIDE PART, COMPLETELY RH	1
2	SP1448702	SIDE PART, COMPLETELY LH	1
1.1	NA	ARMREST "JUNIOR" COMPLETELY, LEFT	1
1.2	NA	WARNING STICKER, "STOP"	1
1.3	D36112	SELF-TAPPING CROSS HEAD SCREW 4,8 X 16	2
1.4	NA	SIDES HOLDER "JUNIOR" COMPLETELY, LEFT	1
1.5	1425601	SIDE PART	1
1.6	L10024	THUMBSCREW M6*16	3
1.7	D90184	M6*12 DIN 7380 SCREWS	2
1.8	NA	ARMREST "JUNIOR"	1
1.9	NA	SUB-CALIBER-SLEEVE DEVICE COMPLETELY, LEFT	1
2.1	NA	ARMREST "JUNIOR" COMPLETELY, LEFT	1
2.2	NA	WARNING STICKER, "STOP"	1
2.3	D36112	SELF-TAPPING CROSS HEAD SCREW 4,8 X 16	2
2.4	NA	SIDES HOLDER "JUNIOR" COMPLETELY, LEFT	1
2.5	1425601	SIDE PART	1
2.6	L10024	THUMBSCREW M6*16	3
2.7	D90184	M6*12 DIN 7380 SCREWS	2
2.8	NA	ARMREST "JUNIOR"	1
2.9	NA	SUB-CALIBER-SLEEVE DEVICE COMPLETELY, LEFT	1

Children Seating - Seat binding, Dragon Junior

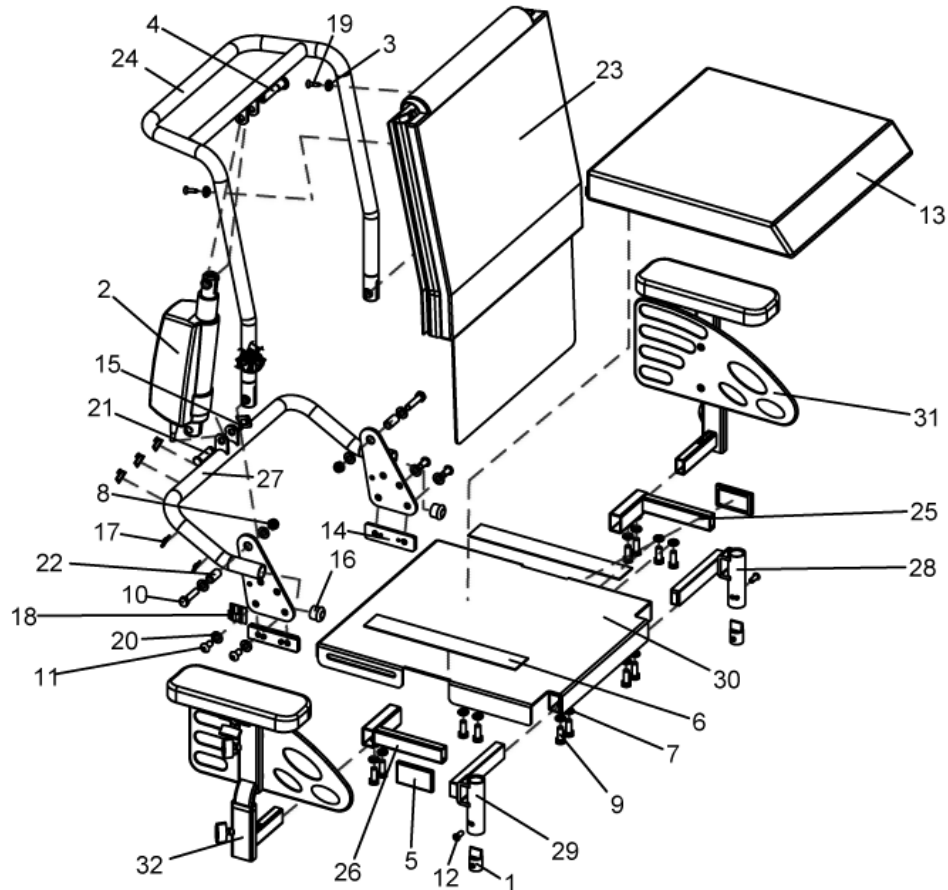
N377001.dwg



item	ordercode	description	quantity
1	F20110	NYLOC NUT M10 DIN 985	4
2	1419325	BOLT M10 X 70 DIN 7380	4
3	5824183	BOLT M10 X 35 DIN 7380	1
4	NA	FLANGED BUSH	2
5	1426295	SPACER 10,5x21x4	1
6	NA	G00114	2
7	5729179	WASHER DIN 125 10,5x2	10
8		HOLDING PLATE FOR DISENGAGER	2
9	NA	BEARING BOLT	2
10	NA	ADJUSTMENT SHEET METAL COMPLETELY, SMALL	2
11	1418547-9005	BEARING PLATE LH	1
12	1418544-9005	BACK HINGE	1
13	NA	MANUAL SEAT ANGLE ADJUSTING COMPLETE	1
14	-	> > > SEE CHAPTER "SEAT PLATE, DRAGON JUNIOR"	1

Children Seating - Seat unit, Dragon Junior

1444900.dwg



item	ordercode	description	quantity
1	NA	INDEXER - KIT A2000	2
2	NA	ACTUATOR RECLINER LA28	1
3	5009551	PLASTIC UPHOLSTERY WASHER	2
4	F368016.99	QUICK RELEASE BOLT	1
5	P31298	REFLECTOR, YELLOW/RN	2
6	1443083	HOOK VOLUME 38X260, DRAGON JUNIOR	2
7	F10196	HEX NUT M8	12
8	F00002	NYLOC NUT M8	2
9	D08144	HEX HEAD SCREW M8 X 20	12
10	D08111	HEX HEAD SCREW M8 X 35	2
11	3908508	COUNTERSUNK SCREW W. ALLEN KEY M8*16 10.9	4
12	NA	SCREW M6X16 ISO7380	2
13	NA	CUSHION 360MM, DRAGON JUNIOR	1
14	NA	SCREWING SHEET METAL	2
15	K32395	SL-LOCKING WASHER 10 MM	1
16	L01008	TUBE END PLUG SL 22	2
17	P22414	CABLE STRAP L=142 MM; BLACK	5
18	P22417	CABLE FASTENER 7.9 MM (CORD CLIP); BLACK	1
19	D16108	COUNTERSUNK SELF-TAPPING CROSS HEAD SCREW 4,8 X 22	2
20	G00107	WASHER 8,4 X 17 X 1,6	8
21	J50999-0002	PIN BLUE GALVANIZES	1
22	H11036A.99	BUSH RD. 12*1.8*23	2
23	NA	BACK CUSHION OF COMPLETE WITH BACK ATTACHMENT	1
24	NA	BACK PIPE, COMPLETE, DRAGON JUNIOR	1
25	NA	SIDE PART HOLDER LH, DRAGON JUNIOR	1
26	NA	SIDE PART HOLDER RH, DRAGON JUNIOR	1
27	NA	SUPPORTING HANDLE; COMPLETE	1

item	ordercode	description	quantity
28	NA	LEGREST ADMISSION, LH, DRAGON JUNIOR	1
29	NA	LEGREST ADMISSION, RH, DRAGON JUNIOR	1
30	NA	SEAT SHEET METAL COMPLETE STANDARD RAL 9005/DRAGON JUNIOR	1
31	NA	SIDE PART, COMPLETE LH, DRAGON JUNIOR	1
32	NA	SIDE PART, COMPLETE RH, DRAGON JUNIOR	1

Dataplate



- ✓ You are often only able to find the suitable spare part by using the details on the type plate. The type plate is to be found directly on the chassis.
Please quote the serial number, model and year for every order. This helps to prevent misunderstandings.

Typenschild.dwg


INVACARE Deutschland GmbH
Kleiststrasse 49
D-32457 Porta-Westfalica - GERMANY

Model :


REF :


Agreement No:

SN



12/07/2000



EAN 
12345678910111212

Max Speed:

Max Incline:

Front Whl Load:

Total Wt:

Mid Whl Load:

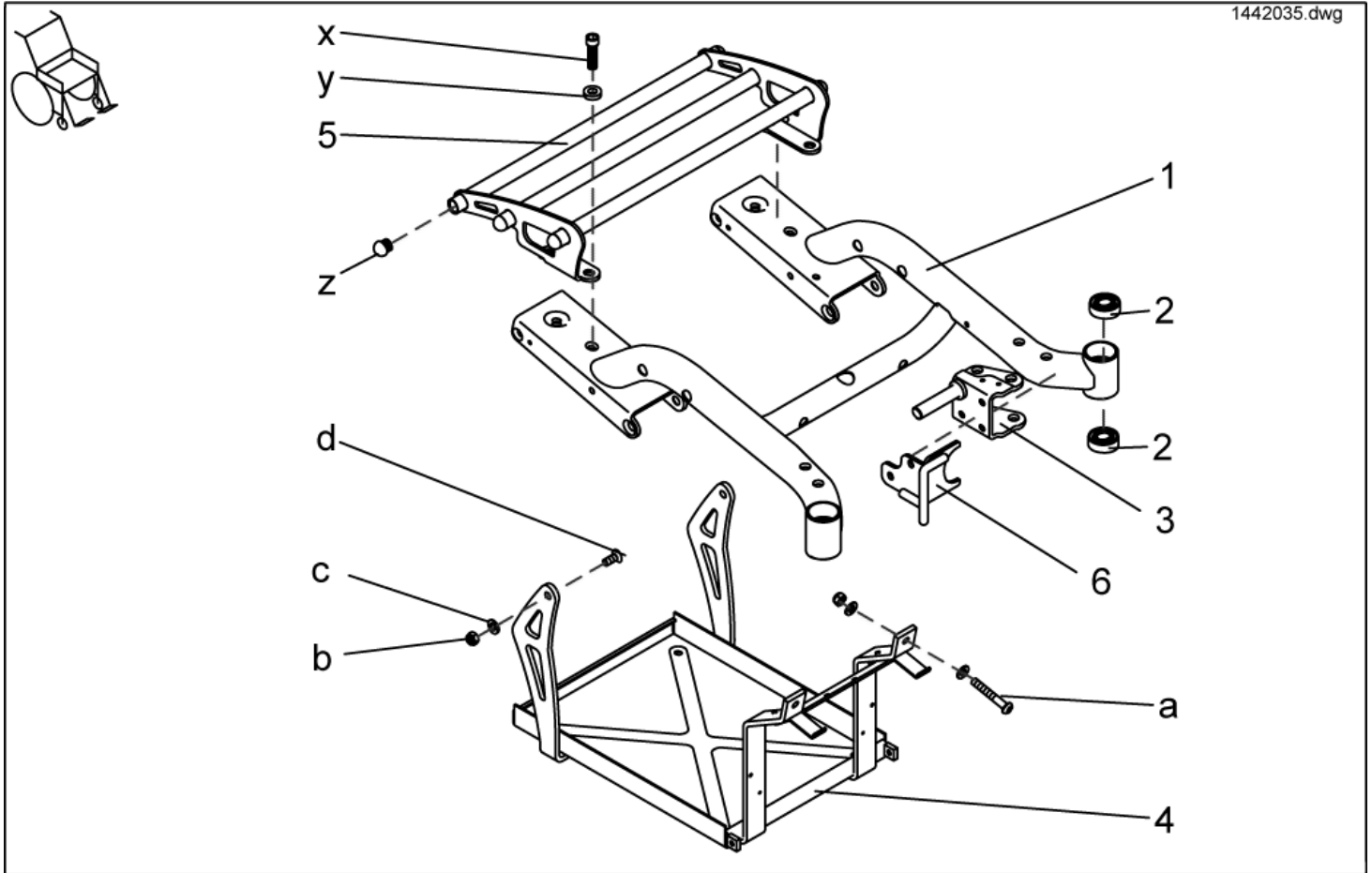
Unladen Wt:

Rear Whl Load:

Max User Wt:

item	description
1	MODEL DESIGNATION
2	SERIAL NUMBER
3	PRODUCTION DATE

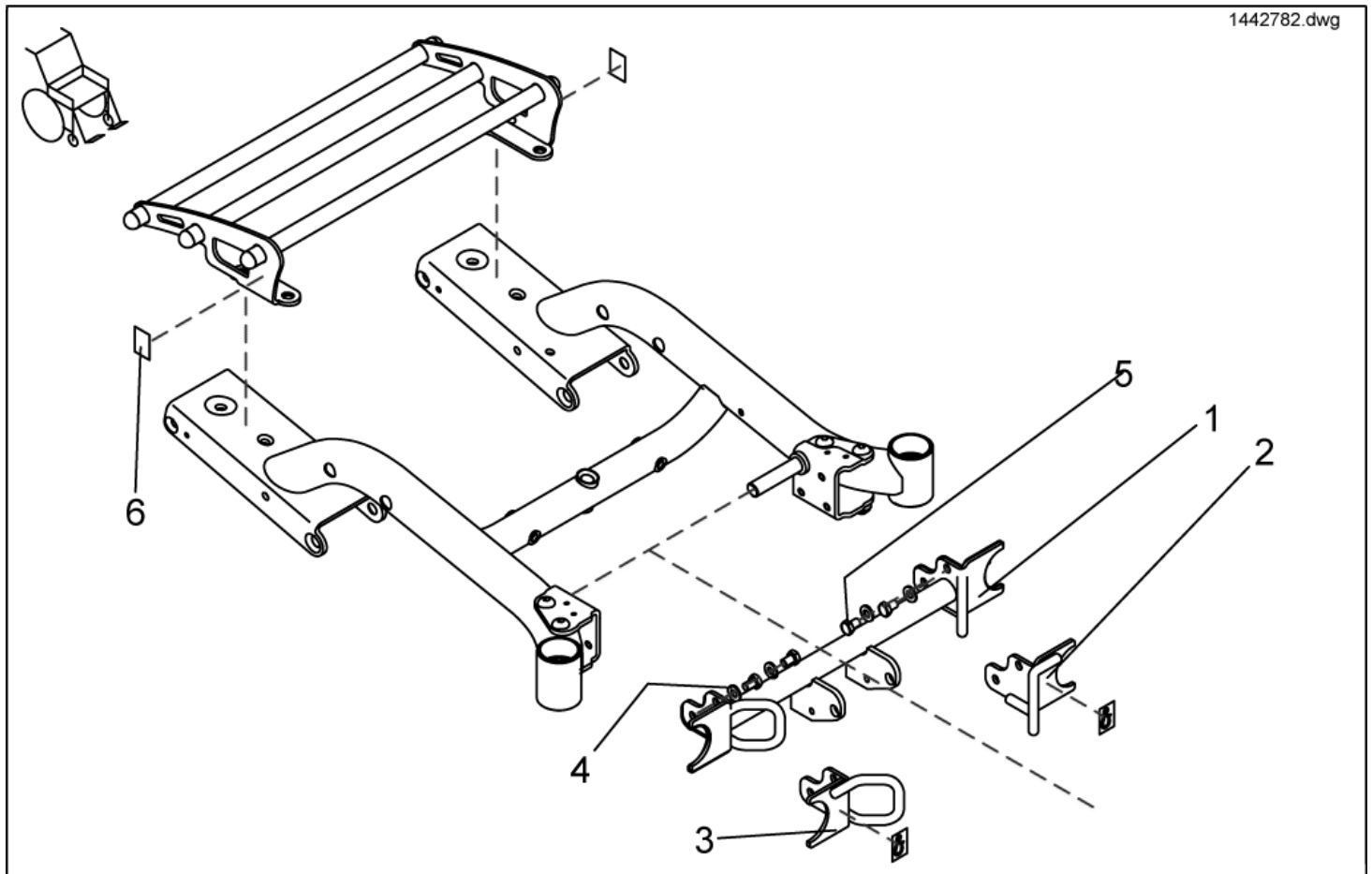
Chassis



item	ordercode	description	quantity
1	SP1442035	CHASSIS BLUE, SHARK, CPL.	1
1	SP1448642	CHASSIS BLUE, ACS, CPL.	1
2	1419254	ANGULAR BALL BEARING 7202B 2RS	4
3	1418547-9005	BEARING PLATE LH	1
3	1418544-9005	BEARING PLATE RH	1
4	1444700-9005	BATTERY FRAME ACS	1
a-d	1442601	BATTERY CLAMP FIXING KIT	1
a	NA	SCREW ISO 7380 M8X55	2
b	NA	NYLOC NUT M8	4
c	NA	WASHER 8,4 X 17 X 1,6	6
d	NA	SCREW DIN 7991 M8X20 BLACK GALVANISED	2
5	SP1440745	LUGGAGE CARRIER CPL.	1
x-z	1442551	FIXING KIT LUGGAGE CARRIER CPL.	1
x	NA	BOLT M10 X 35 DIN 7380	4
y	NA	WASHER 10,5 X 21 X 2 DIN 125	4
z	NA	TUBE END PLUG BLACK	6
6	NA	»»» see "CRASH KIT"	1

Crash kit

- ⚠ **CAUTION: Danger of injury if the wheelchair is not secured properly in the vehicle!**
In order to secure the empty wheelchair in the vehicle, please use the 4-Point-Tie-Down system. Please observe the chapter in the operating instructions on "Transport" for safe handling using the Standard transport system.
- ⚠ **CAUTION: Danger of injury if the wheelchair is not secured properly in the vehicle and if the user is not secured properly in the wheelchair.**
If a person is to be transported whilst sitting in the wheelchair you will require the 4-POINT-FIXATION (according to ISO 7176-19:2001) as well as a retaining belt (»»» see chapter on "retaining belts") and a headrest (»»» see chapter on "headrests"). The 4-POINT-FIXATION (according to ISO 7176-19:2001) has passed the test according to ISO 7176-19:2001 in connection with an anchoring system according to ISO 10542, retaining belt and headrest. It can, therefore, only be used in this configuration if the person remains seated in the wheelchair during transport. Please observe the chapter in the operating instructions on "transport" for safe handling using the 4-POINT-FIXATION (according to ISO 7176-19:2001).

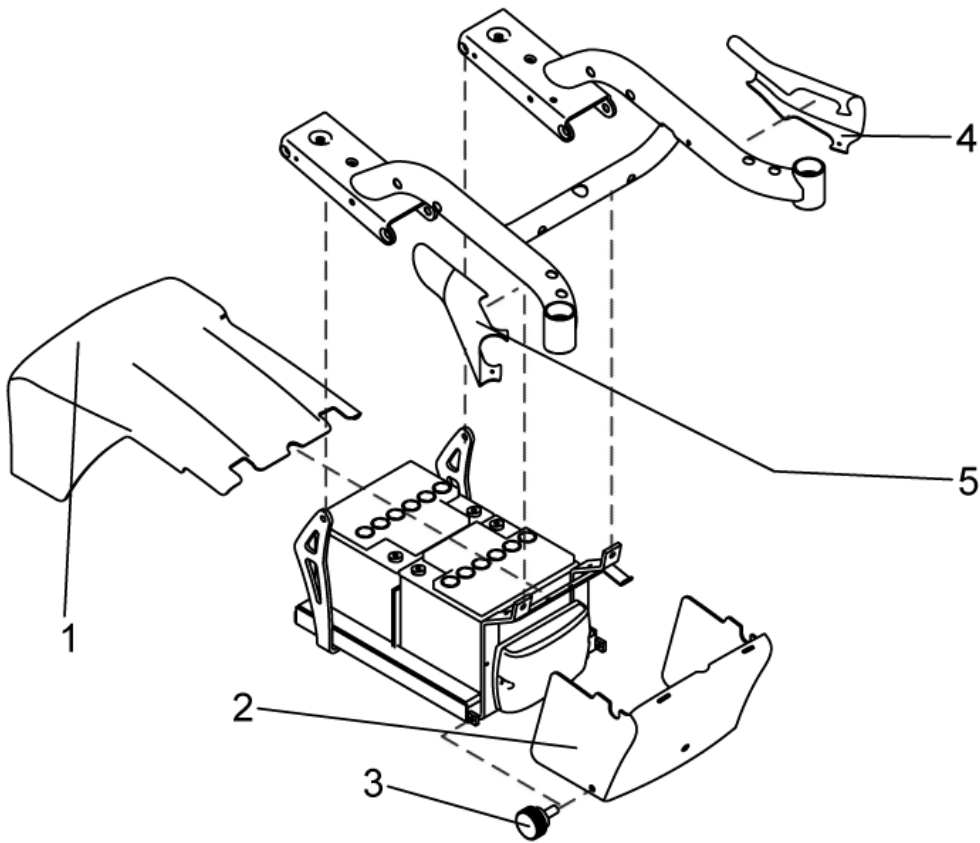


item	ordercode	description	quantity
2-5	1442782	4-POINT-TIE-DOWN, COMPLETE	1
1,4,5	1442784	4-POINT-TIE-DOWN FOR CERB CLIMBER, COMPLETE	1
2-6	1442783	4-POINT-FIXATION (according to ISO 7176-19:2001), complete, Requires additionally H-Belt and headrest compulsory!	1
1,4-6	1442785	4-POINT-FIXATION (according to ISO 7176-19:2001) FOR CERB CLIMBER, COMPLETE, Requires additionally H-Belt and headrest compulsory!	1
1	1434454-9005	KERBSTONE RAISER RECEPTACLE WITH FIXING BRACKETS	1
2	1422049-9005	FRONT FIXATION LH	1
3	1422050-9005	FRONT FIXATION RH	1
4+5	1444666	Mounting kit front fixation/ front fixation with kerb climber	1
4	NA	WASHER 8,4 X 17 X 1,6	4
5	NA	HEX HEAD SCREW M8 X 12	4

item	ordercode	description	quantity
6	NA	ISO 7176-19 STICKER RAL 1026	4

Shrouds

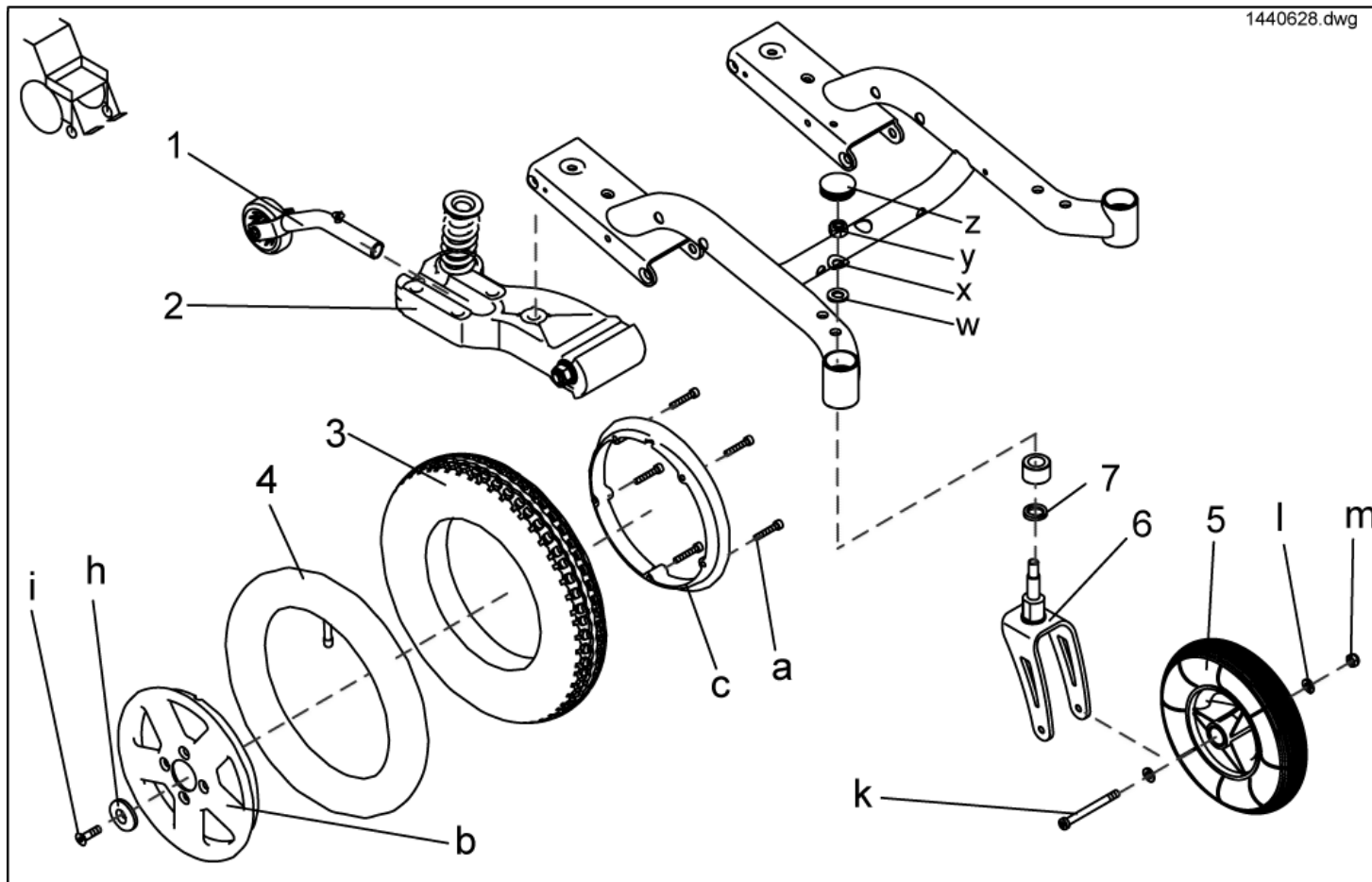
1442067.dwg



item	ordercode	description	quantity
1	SP1442599	BATTERY COVER REAR COMPLETE	1
2	1440684-9006	BATTERY COVER FRONT	1
3	1440769	HANDWHEEL	2
4	SP1442592	CHASSISCOVER LH CPL.	1
5	SP1442596	CHASSISCOVER RH CPL.	1

Wheel Suspension/ Wheels

1440628.dwg

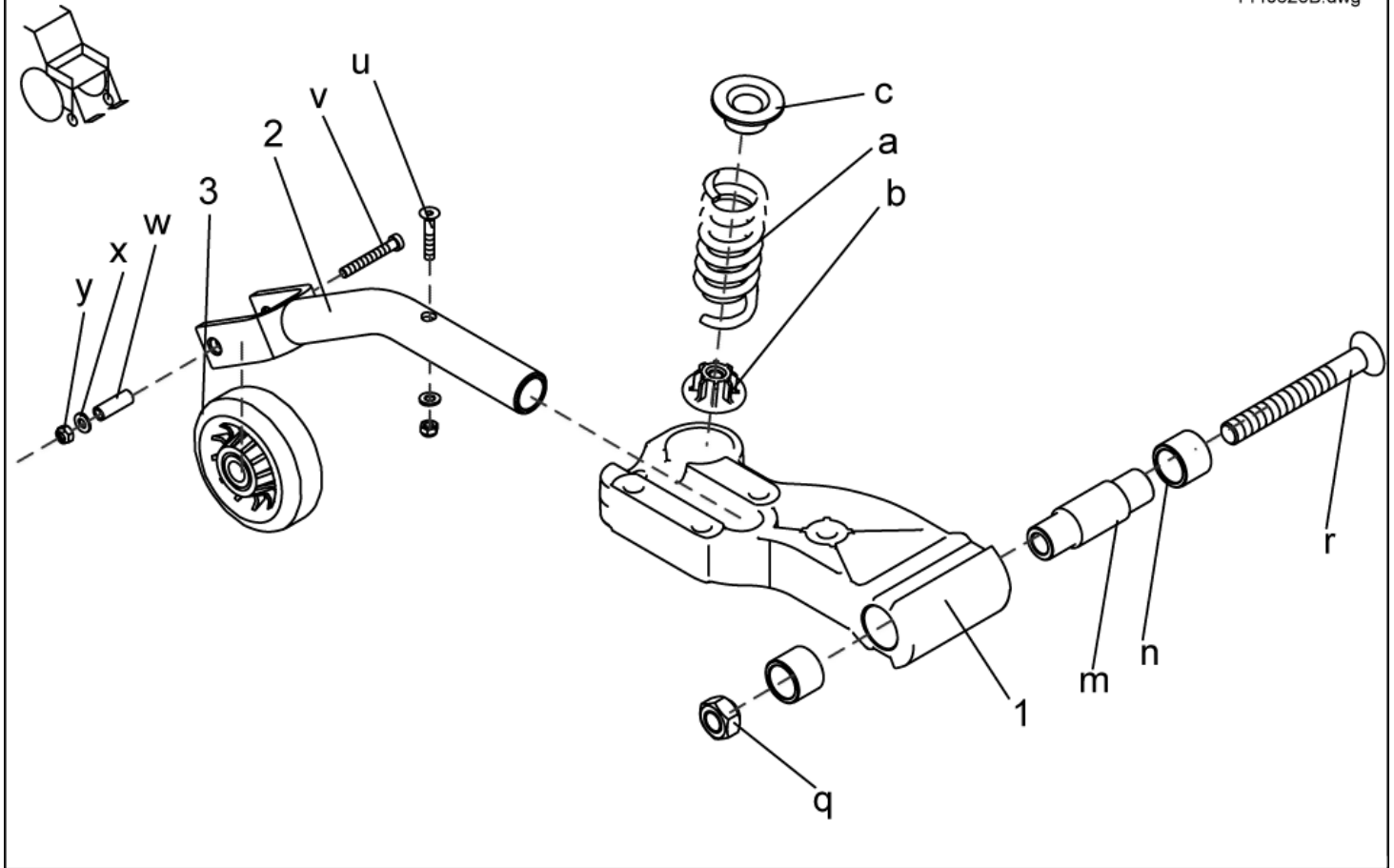


item	ordercode	description	quantity
1	SP1440686	ANTI-TIPPER COMPLETE	2
2	NA	»»» see "REAR CHASSIS"	2
3+4, a-c	SP1440764	PNEUMATIC REAR WHEEL COMPLETE	2
3+4, a-c	SP1442858	PUNCTURE-PROOF REAR WHEEL COMPLETE (SOLID INLAY)	2
3	M11005	TYRE 12 1/2 X 2 1/4	2
4	M12004	INNER TUBE 12 1/2 X 2 1/4	2
4	B221001	TYRE 12-1/2 X 2-1/4 PUNCTURE-PROTECTED	2
a-c	1442602	WHEEL RIM ASSEMBLY KIT BLACK, CPL.	2
a	NA	SOCKET HEAD CAP SCREW M6 X 35	5
b	NA	WHEEL-RIM, 1.5 JX8, OUTER, BLACK	1
c	NA	WHEEL-RIM, 1.5 JX8, INNER, BLACKK	1
h-j	1440294	WHEEL FIXING KIT WHEEL 12-1/2	2
h	NA	WASHER 39	1
i	NA	COUNTERSUNK SOCKET HEAD SCREW M8 X 30 PB	1
j	NA	SCREWS DIN 7991 M8x20 TX40 12,9 PL	4
5	1441999	WHEEL 220X50 PNEUMATIC GREY	2
5	1442607	WHEEL 220X50 PUNCTURE PROOF (SOLID INLAY) GREY	2
-	1442938	TUBE FOR WHEEL 220X50	2
-	1446709	TYRE 220 X 50, GREY	2
6	1442604	FRONT FORK CPL.	2
7	1440627	RUBBER WASHER	1
k-m	1442510	WHEEL FIXING KIT	2
k	NA	SCREW DIN912 M8X85 10.9 GALVANISED	1
l	NA	WASHER 8,4 X 17 X 1,6	2
m	NA	NYLOC NUT M8 DIN 985	1
w-z	1442543	WHEEL FORK FIXING KIT	2
w	NA	WASHER 8,4 X 17 X 1,6	1

item	ordercode	description	quantity
x	NA	SPRING WASHER 24 X 13 X 1,2 PROFILE A, DIN-137; GALV...	1
y	NA	NYLOC NUT M8 DIN 985	1
z	NA	SLIDER SL 42	1

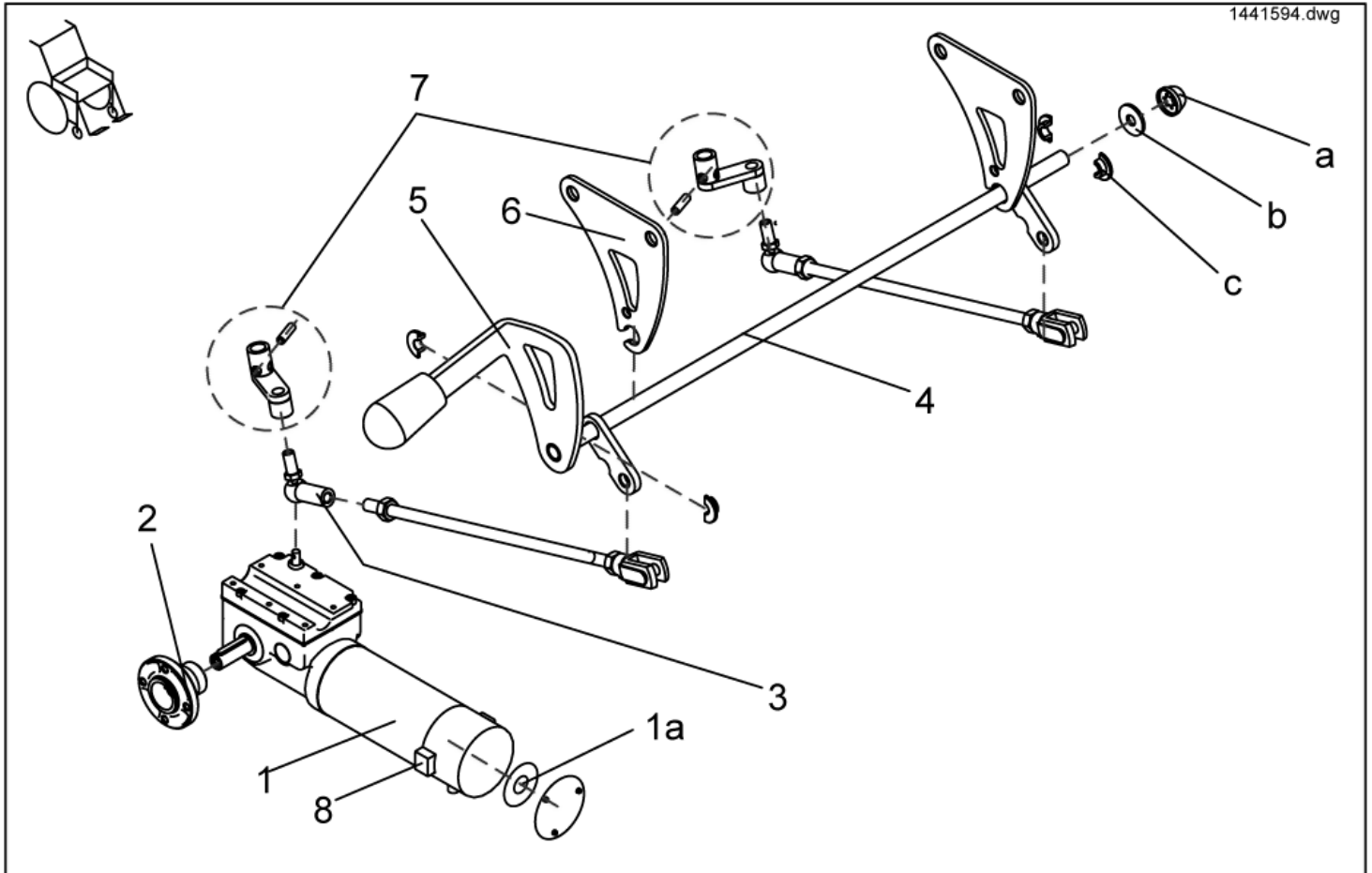
Rear chassis

1440628B.dwg



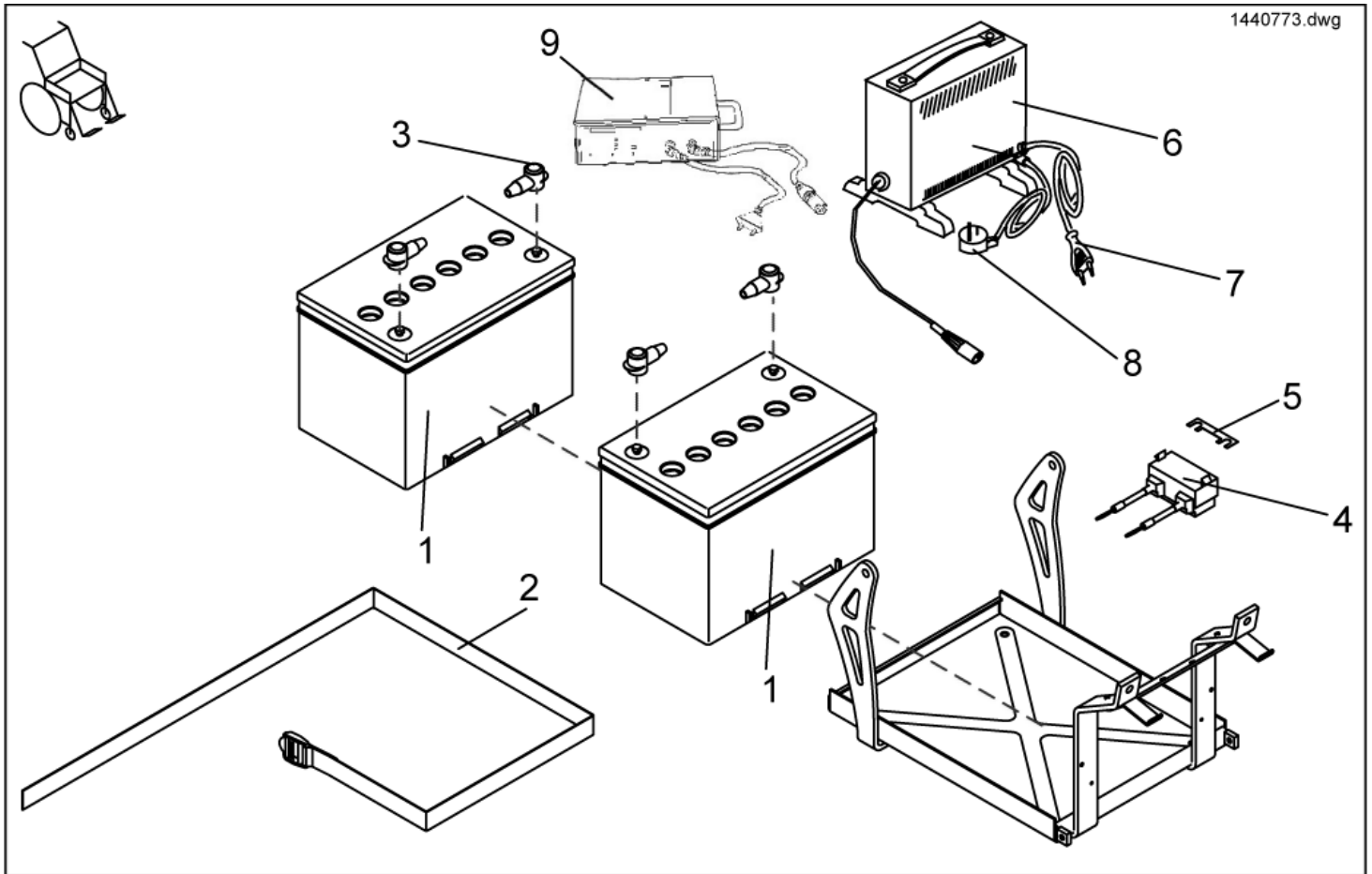
item	ordercode	description	quantity
1	1440669	CRANK	2
a-c	1442597	SPRING SET, 1 PAIR	1
a	NA	SPRING, YELLOW	2
b	NA	SPRING PLATE	2
c	NA	MOUNTING AID	2
l-m	SP1421761	SHAFT	2
m	NA	SHAFT	1
n	NA	SINTERED METAL BUSH	2
q-r	SP1423186	DRIVE UNIT ASSEMBLY KIT, CPL.	2
q	NA	SCREW M12 X 100, DIN 7991	1
r	NA	NUT M12	1
2	1440743-9005	ANTI-TIPPER SUPPORT TUBE BLACK	2
3	M14906	ANTI-TIPPER WHEEL VG80/24-GL10-SS	2
u-y	1442593	MOUNTING KIT ANTI-TIP	2
u	NA	COUNTERSUNK SOCKET HEAD SCREW M8 X 45	1
v	NA	SCREW DIN 6912 M8X60 8.8 BLACK GALVANISED SELF-LOCKING	1
w	NA	BUSH	2
x	NA	WASHER 8,4 X 17 X 1,6	1
y	NA	NYLOC NUT M8	1

Driving unit

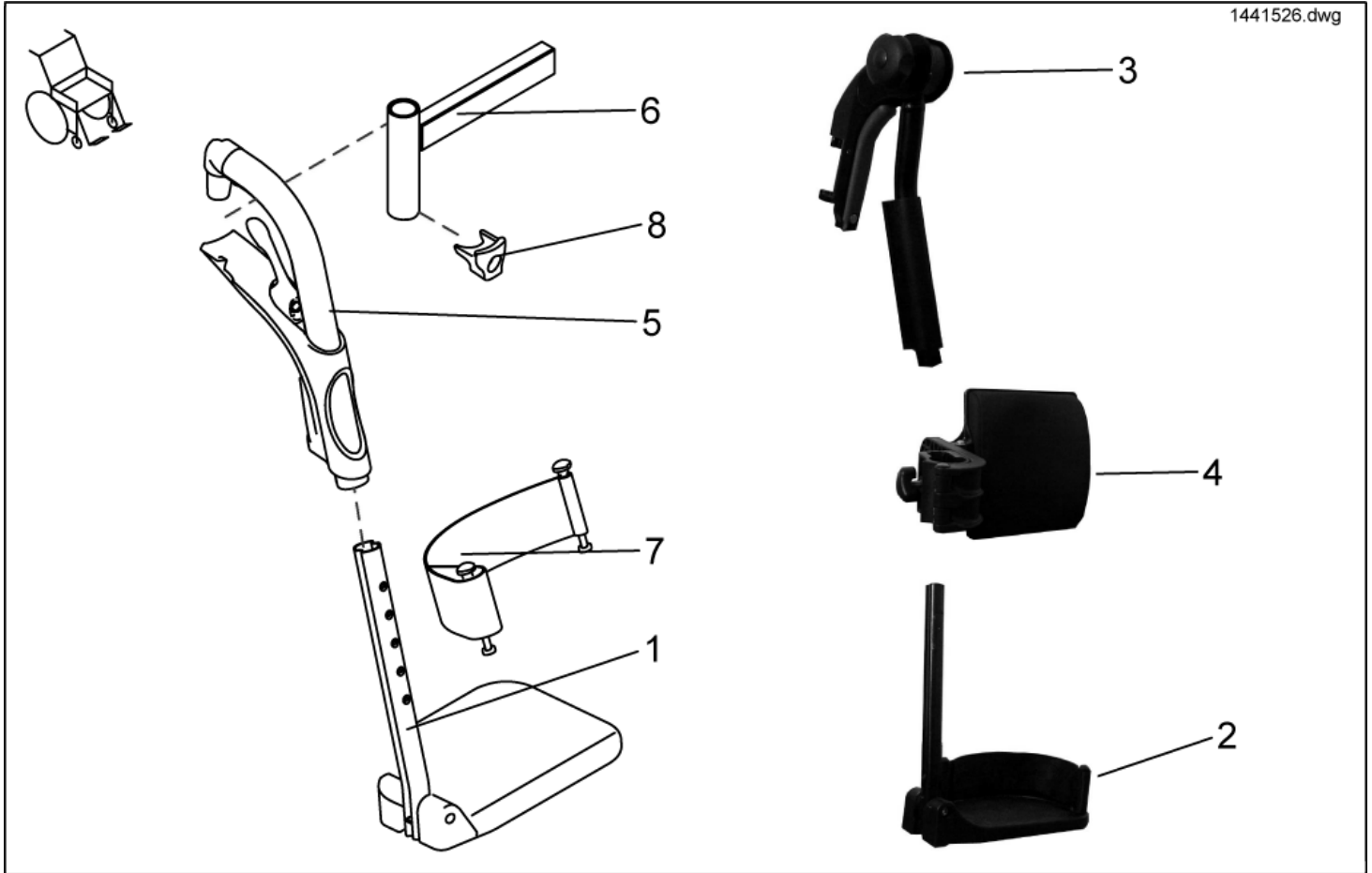


item	ordercode	description	quantity
1	1440651	DRIVE UNIT 6KM/H LEFT	1
1	1440650	DRIVE UNIT 6KM/H RIGHT	1
1	1440653	DRIVE UNIT 8KM/H LEFT	1
1	1440652	DRIVE UNIT 8KM/H RIGHT	1
1a	1486071	Bremsenkit SSG02	1
2	N322007	WHEEL HUB	2
3-5, a-c	SP1440712	DISENGAGER COMPLETE	1
3	1430138	ANGLE JOINT M6 R	2
4	1440643-9005	DISENGAGER	1
5	A131002A	SLIDER FOR DISENGAGING LEVER	1
a-c	1442690	FIXING KIT DISENGAGER	1
a	NA	STARLOCK CAP 8 MM	1
b	NA	WASHER 8,4 X 25 X 2 DIN 9021	1
c	NA	BUSH HALF	4
6	1440701-0003	HOLDING PLATE FOR DISENGAGER	2
7		Montagesatz Hebelarm	1

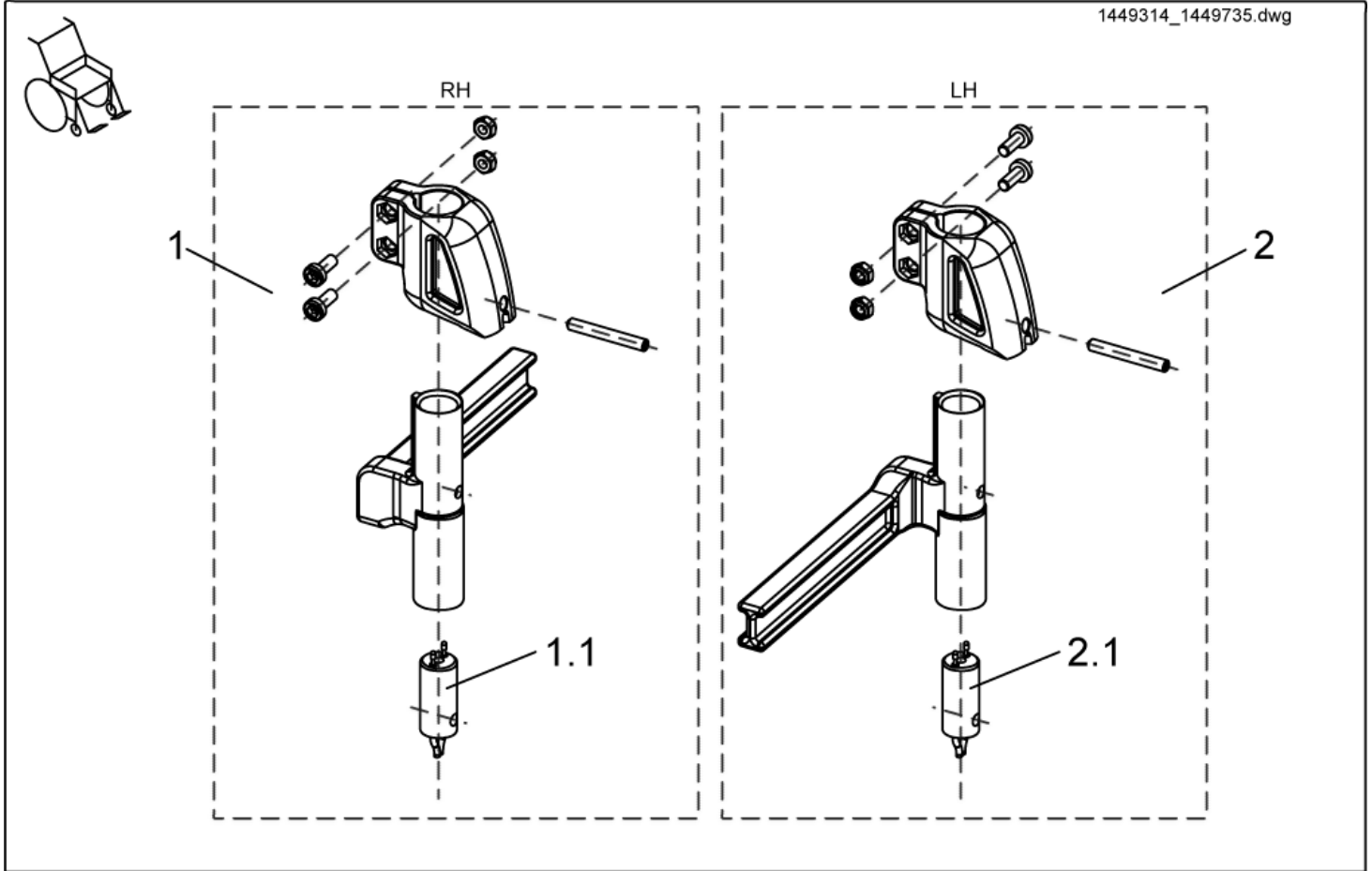
Electric Support



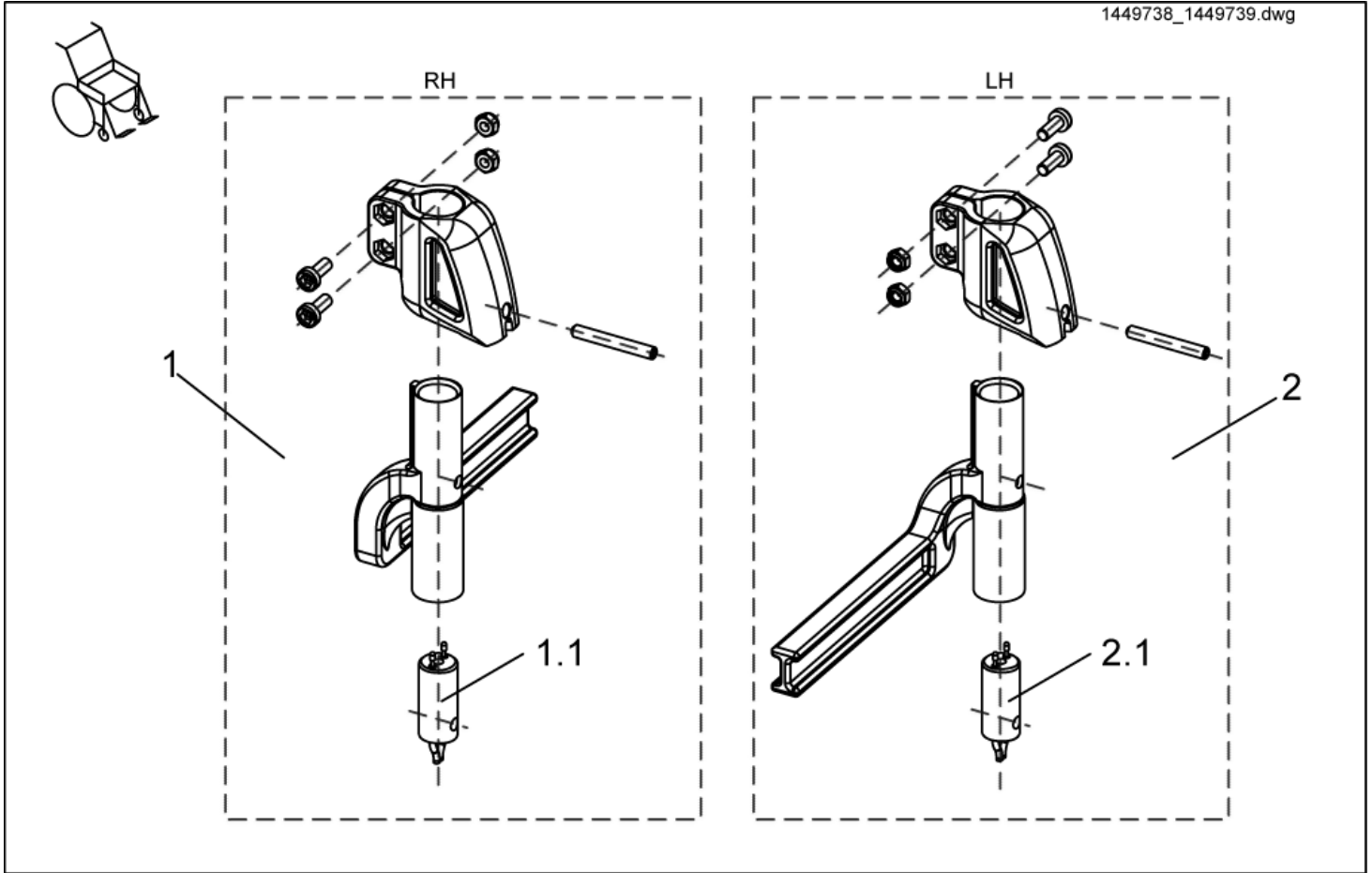
item	ordercode	description	quantity
1	1432944	BATTERY MK SLDG 60AH	2
2	1421655	BATTERY STRAP	1
3	P52996	BATTERY TERMINAL COVER	4
4	1440759	STRIP FUSE HOLDER WITH 40A FUSE SHARK	1
4	NA	strip fuse holder with fuse 50A	1
5	1442600	STRIP FUSE 40A (SHARK)	1
5	P12191	FUSE 50 A	1
-	1440758	BATTERY CABLE SHARK	1
-	1442552	BATTERY CABLE SHARK WITH LIGHT	1
-	1444668	battery cable ACS	1
6+7	SP1423696	CHARGER 24V/8A W. CONTINENTAL MAINS CABLE, CPL.	1
6+8	SP1423697	CHARGER 24V/8A W. UK MAINS CABLE, CPL.	1
6	P51981	BATTERY CHARGER 8 A WITH XLR CONNECTION	1
7	P21079	MAINS CABLE GCB-0401 CONTINENTAL; BLACK	1
8	P21080	MAINS CABLE GCB-0403 UK; BLACK	1
9	5813987	Charger 8A	1



item	ordercode	description	quantity
1	SP1442852	Lower legrest Standard with heel strap, width 43-45,5cm, left	2
1	SP1442851	Lower legrest Standard with heel strap, width 43-45,5cm, right	2
2	SP1442854	Lower legrest with angle adjustable footplate, with heel strap. width 45cm, left	2
2	SP1442853	Lower legrest with angle adjustable footplate, with heel strap. width 45cm, right	2
2	1428367	Lower legrest 24ALU2003, fixed, long, left	2
2	1428368	Lower legrest 24ALU2003, fixed, long, right	2
3	1431360-0509	MANUAL ELEVATING HANGER, LEFT	1
3	1440012-0509	Hanger Alu 2003 angle adjustable with knee pad, left	1
3	1431359-0509	MANUAL ELEVATING HANGER, RIGHT	1
3	1440011-0509	Hanger Alu 2003 angle adjustable with knee pad, right	1
4	1439993	Calf pad 19 Alu 2003, complete with calf support	2
4	1427277	Calf pad 19 Alu 2003, complete with calf support	2
5	1424577-0509	HANGER STANDARD, USABLE RIGHT AND LEFT	2
6	SP1441526	LEG SUPPORT CARRIER LH CPL.	1
6	SP1441527	LEG SUPPORT CARRIER RH CPL.	1
7	1430402	HEELSTRAP COMPLETE	2
8	1424533	NOSE	2



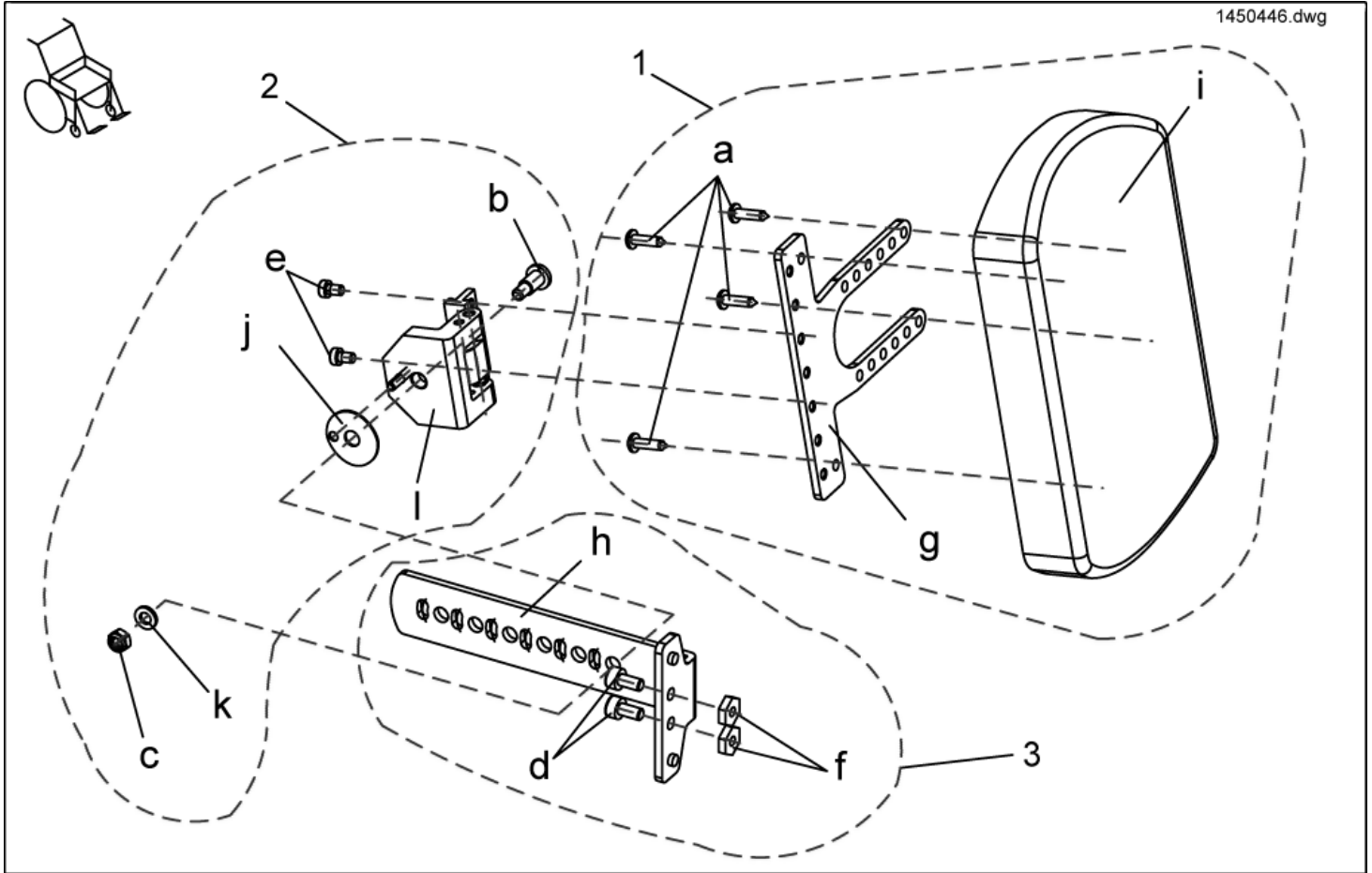
item	ordercode	description	quantity
1	SP1449314	FOOTREST RECEPTACLE, CPL., ELECTRIC RH 5CM	1
1.1	1450228	POWER SUPPLY CABLE FOOTREST, SHORT (BLACK ADAPTER)	1
2	SP1449735	FOOTREST RECEPTACLE, CPL., ELECTRIC LH 5CM	1
2.1	1450228	POWER SUPPLY CABLE FOOTREST, LONG (BLACK ADAPTER)	1



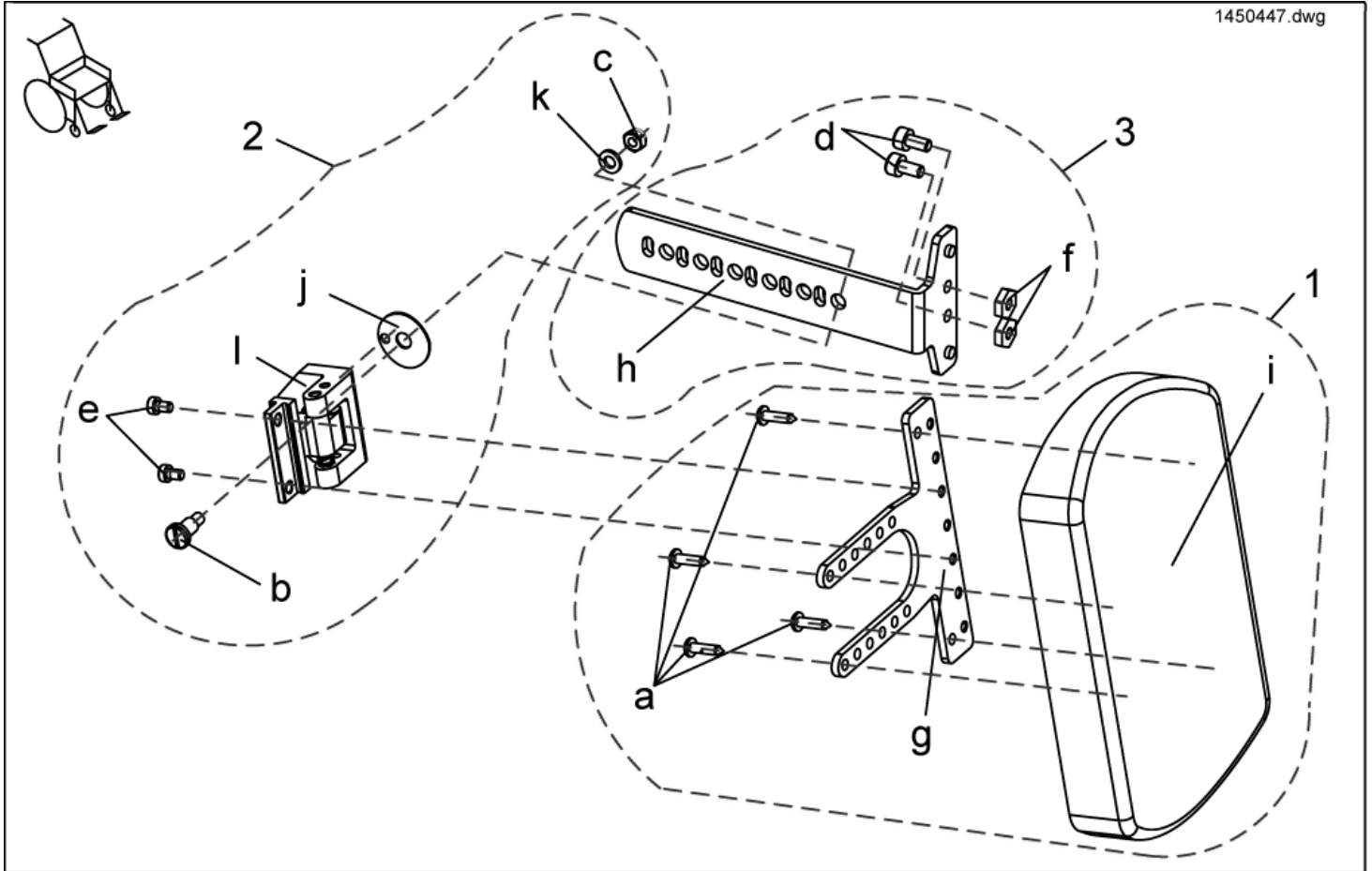
item	ordercode	description	quantity
1	SP1449738	FOOTREST RECEPTACLE CPL., RH ELECTRIC 8CM	1
1.1	1450228	POWER SUPPLY CABLE FOOTREST, SHORT (BLACK ADAPTER)	1
2	SP1449739	FOOTREST RECEPTACLE CPL., LH ELECTRIC 8CM	1
2.1	1450228	POWER SUPPLY CABLE FOOTREST, LONG (BLACK ADAPTER)	1

Calf plate holder, right 07/2005 ==>

1450446.dwg

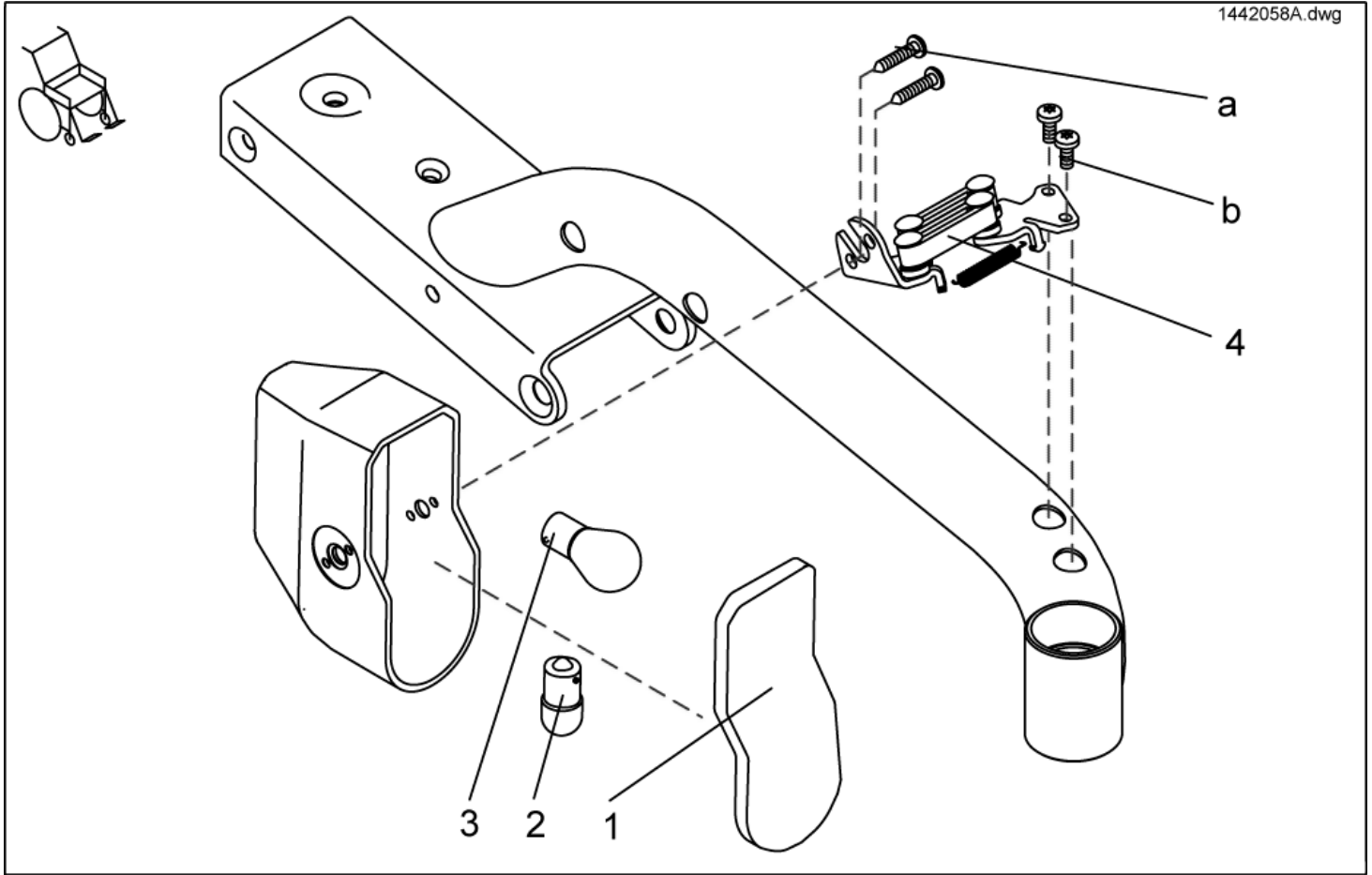


item	ordercode	description	quantity
-	SP1450446	CALF PLATE HOLDER RIGHT TURNABLE, COMPLETELY	1
1	SP1449021	ASSEMBLY KIT, CALF PLATE HOLDER	1
2	SP1449022	ASSEMBLY KIT, CALF PLATE HINGE	1
3	SP1449023	ASSEMBLY KIT, CALF PLATE	1
a	NA	DOMED CROSSHEAD SELF TAPPING SCREW 4,8 X 19	4
b	NA	SCREW M6 X 12	1
c	NA	NYLOC NUT M6	1
d	NA	SOCKET HEAD CAP SCREW M6 X 12	2
e	NA	SCREWS DIN 6912-M5x10	2
f	NA	NUT M6 SW-14	2
g	NA	ADAPTER SHEET METAL CALF PLATE TURNABLE / GALVANIZES	1
h	NA	CALF PLATE HOLDER TURNABLE / GALVANIZES	1
i	6301333	CALF PLATE	1
j	NA	SLIP WASHER FOR TURNABLE CALF PLATE	1
k	NA	WASHER 6,4 X 12,5 X 1,6	1
l	NA	CALF PLATE HINGE, RIGHT	1



item	ordercode	description	quantity
-	SP1450447	CALF PLATE HOLDER LEFT TURNABLE, COMPLETELY	1
1	SP1449021	ASSEMBLY KIT, CALF PLATE HOLDER	1
2	SP1449022	ASSEMBLY KIT, CALF PLATE HINGE	1
3	SP1449023	ASSEMBLY KIT, CALF PLATE	1
a	NA	DOMED CROSSHEAD SELF TAPPING SCREW 4,8 X 19	4
b	NA	SCREW M6 X 12	1
c	NA	NYLOC NUT M6	1
d	NA	SOCKET HEAD CAP SCREW M6 X 12	2
e	NA	SCREWS DIN 6912-M5x10	2
f	NA	NUT M6 SW-14	2
g	NA	ADAPTER SHEET METAL CALF PLATE TURNABLE / GALVANIZES	1
h	NA	CALF PLATE HOLDER TURNABLE / GALVANIZES	1
i	6301333	CALF PLATE	1
j	NA	SLIP WASHER FOR TURNABLE CALF PLATE	1
k	NA	WASHER 6,4 X 12,5 X 1,6	1
l	NA	CALF PLATE HINGE, LEFT	1

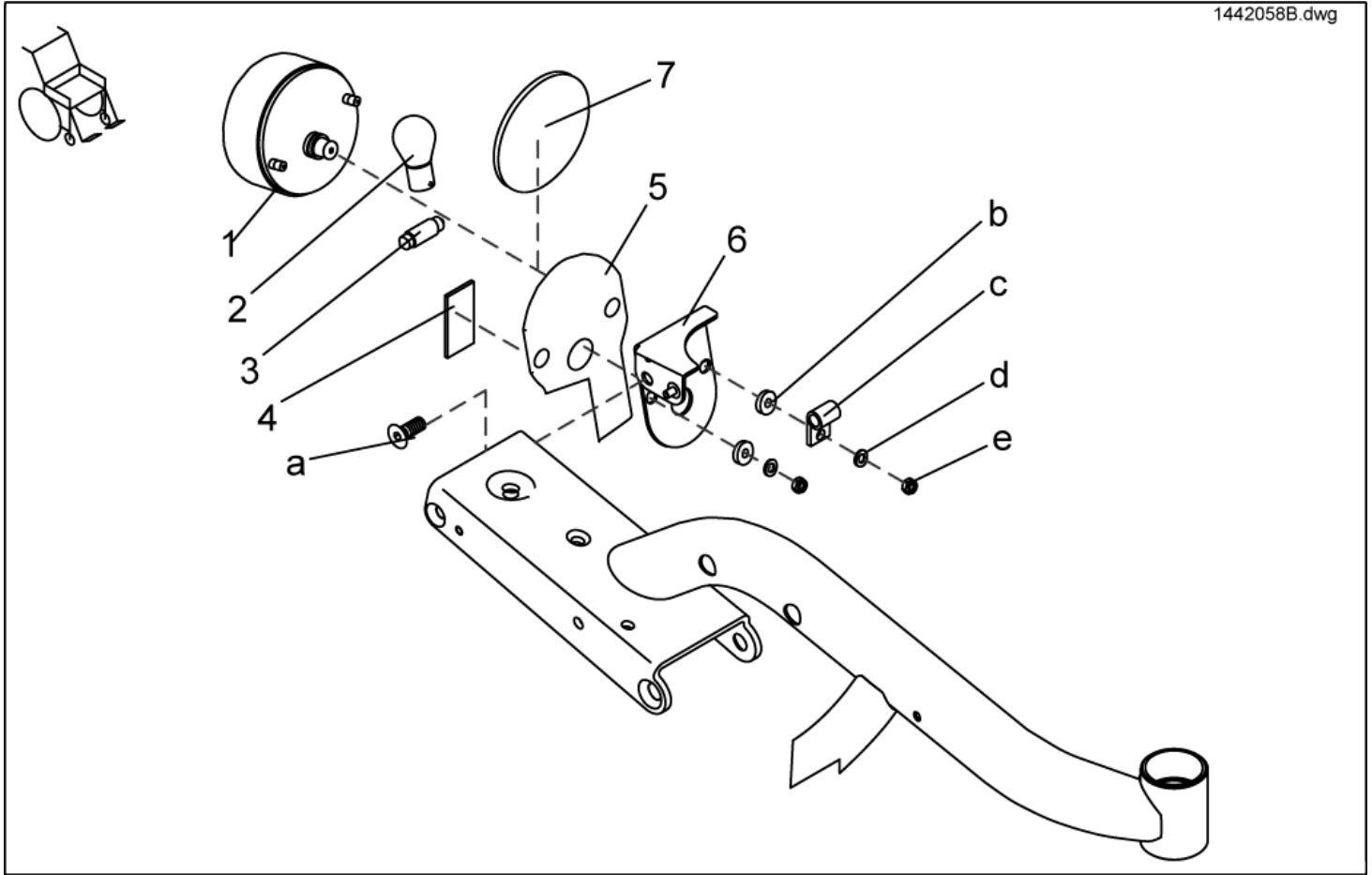
Lighting - Front Lights



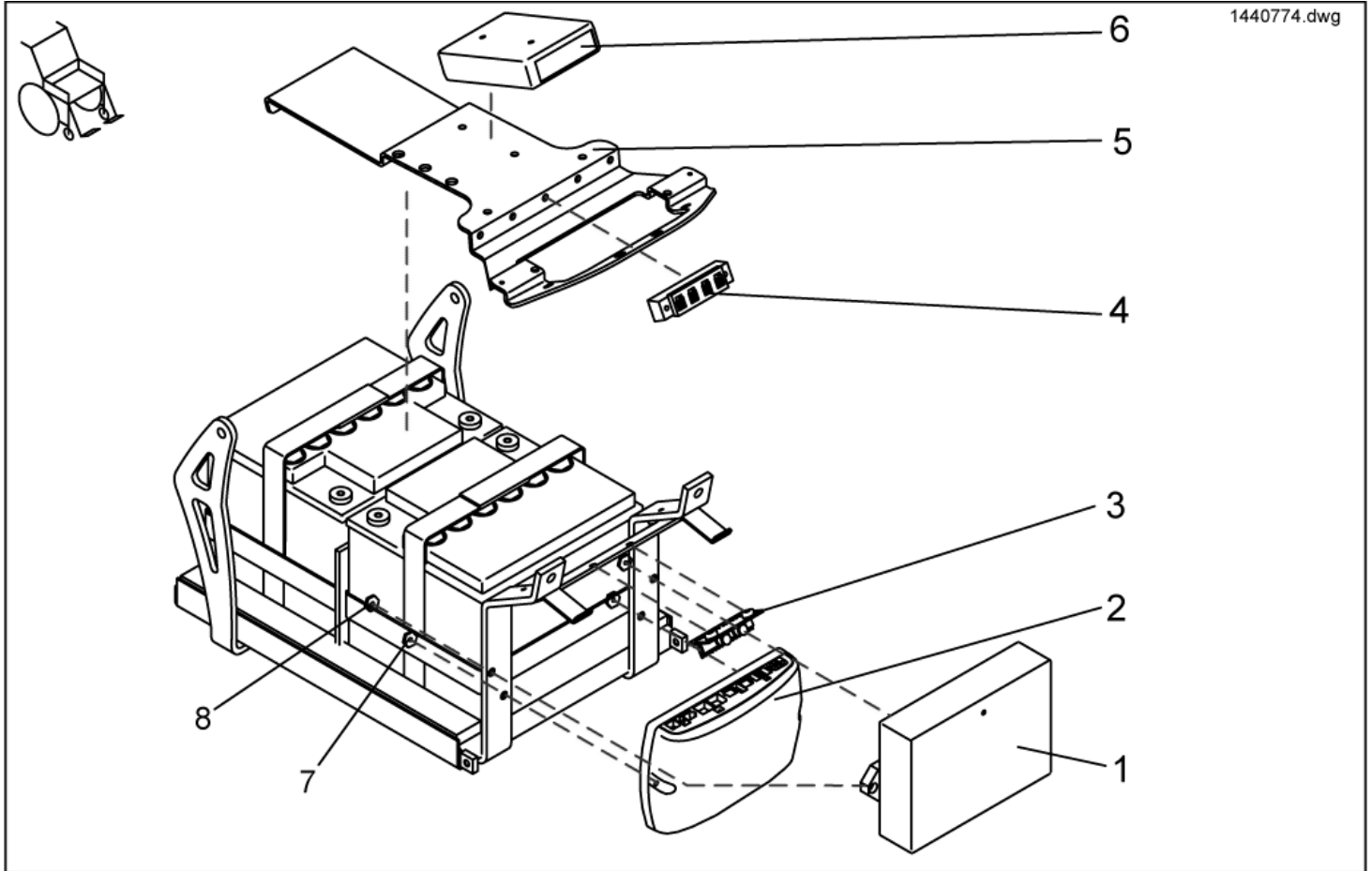
item	ordercode	description	quantity
-	1442735	HEADLAMP LH 24V CPL.	1
-	1442734	HEADLAMP RH 24V CPL.	1
1	1433737	HEADLIGHT LENS	2
2	P31108	LIGHTBULB 24V/10W	2
3	1419271	LIGHTBULB 24V/21W, YELLOW	2
4	1428081	SWIVEL MECHANISM LH	1
5	1428082	SWIVEL MECHANISM RH	1
a-b	1442685	MOUNTING KIT FRONT LIGHT	1
a	NA	SELF-TAPPING CROSS HEAD SCREW 4,8 X 16	4
b	NA	BOLT M5 X 12 DIN 7500	4

Lighting - Rear Lights

1442058B.dwg



item	ordercode	description	quantity
-	SP1441571	LIGHT SUPPORT WITH REARLIGHT LH CPL.	1
-	SP1441565	LIGHT SUPPORT WITH REARLIGHT RH CPL.	1
1	1442736	REAR LIGHT 24V CPL.	2
2	1419271	LIGHTBULB 24V/21W, YELLOW	2
3	P31191	LAMP 24V/5W	2
4	P31299	REFLECTOR, RED	2
5	1441573-9005	LIGHT SUPPORT REAR LH	1
5	1441569-9005	LIGHT SUPPORT REAR RH	1
6	1441568	FIXING FOR REFLECTOR	2
a-e	1442603	TAIL LIGHT FIXING KIT	2
a	NA	SCREW DIN 7991 M8X20 BLACK GALVANISED	1
b	NA	INSULATING SHEATH	2
c	NA	CABLE FIXATION SMALL	1
d	NA	WASHER 5.3 DIN 125	2
e	NA	NYLOC NUT M5	2
7	1419274	REFLECTOR, RED	2



item	ordercode	description	quantity
1	P10064	ACS POWER MODULE DX-PM2 (80A)	1
2	1433332	SHARK-ELECTRONIC DK-PMA1	1
2	1448744	SHARK-ELECTRONIC DK-PMB21 FOR ELECTRICAL ADJUSTMENTS	1
3	SP1442052	LIGHT PLATE CENTRAL DISTRIBUTOR FOR LIGHTING SYSTEM COMPLETELY WITH HOLDER AND ASSEMBLY MATERIAL	1
-	1415004	CENTRAL LIGHT DISTRIBUTOR MAINBOARD	1
4	P10072	ACS-BUS T-ADAPTER (SPLITTER)	1
5	1442877	ACS DEVICE SUPPORT	1
6	P10081	ACS-CLAM (LIGHTING/ACTUATOR MODULE COMBINED)	1
-	1445554	HARNESS SHARK FOR ELECTRICAL ADJUSTMENTS	1
-	1444670	HARNESS ACS FOR ELECTRICAL ADJUSTMENTS AND LIGHTENING	1

Cabel**ACS-Buscables**

length mm	ordercode
300	GSM63003
1100	GSM63011

CLAM-Cables (LIGHTING/ACTUATOR MODULE COMBINED)

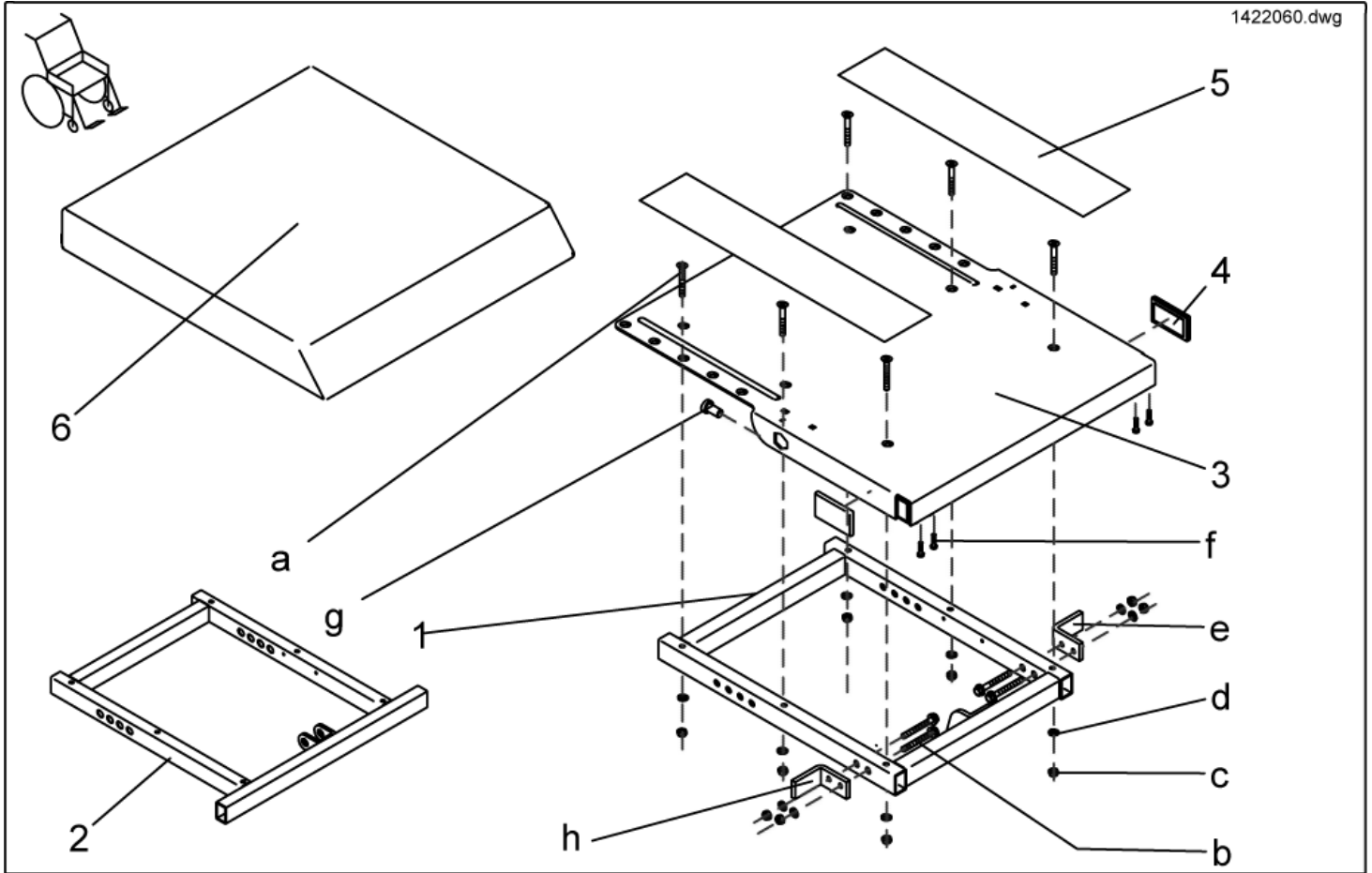
lights	el. legrests	el. Tilt Adjustment	el. Lift Adjustment	el. Backrest Adjustment	ordercode
		X	X	X	1445554
X	X	X	-	X	1444670

Battery Cables

voltage V	with fuse	ordercode
24	-	1444668
24	50A	1444669
24 (Shark)	-	1440758
24 (Shark)	40A	1440759
24 (Shark)	-	1442552

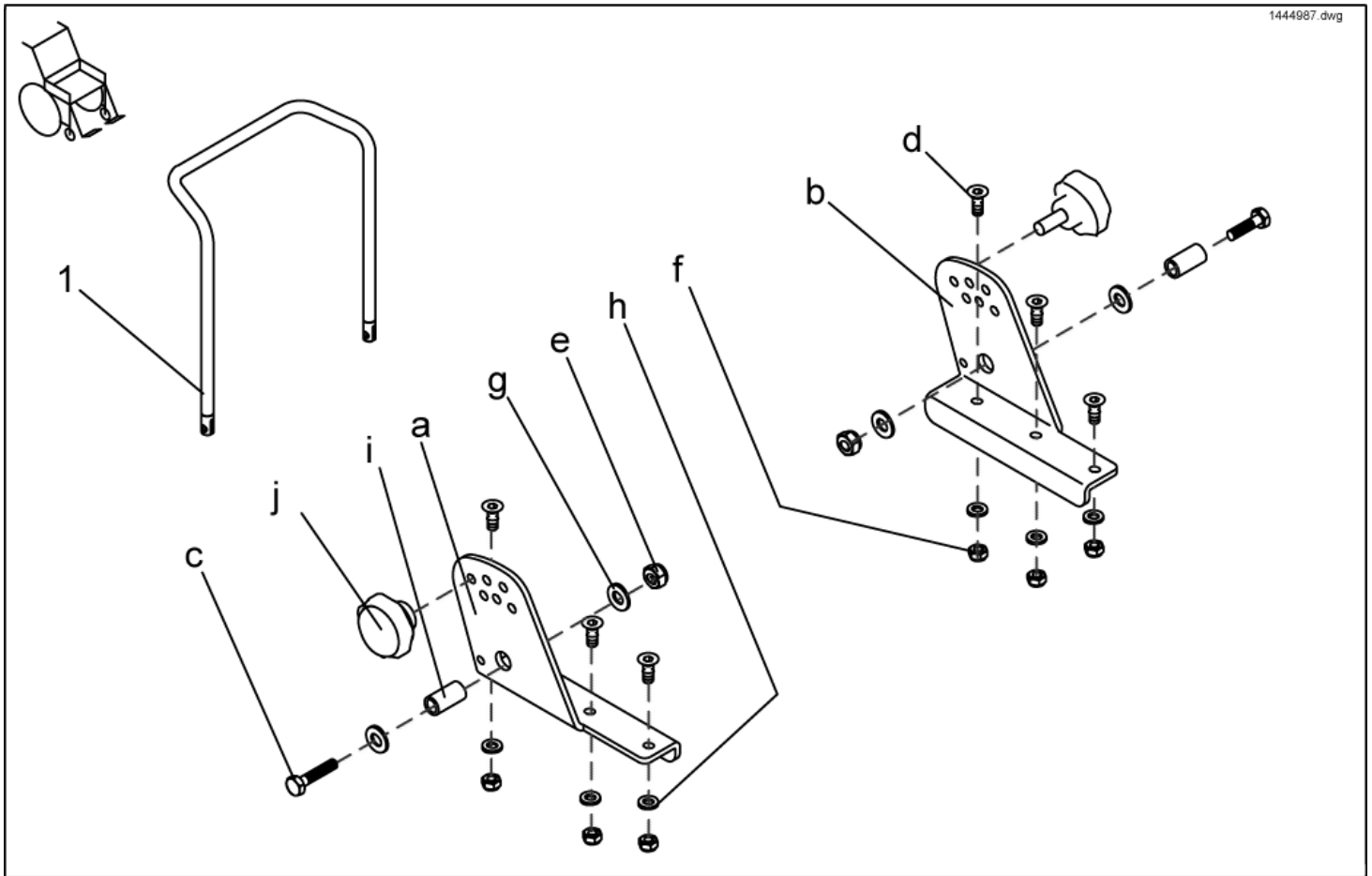
Seat Unit

1422060.dwg

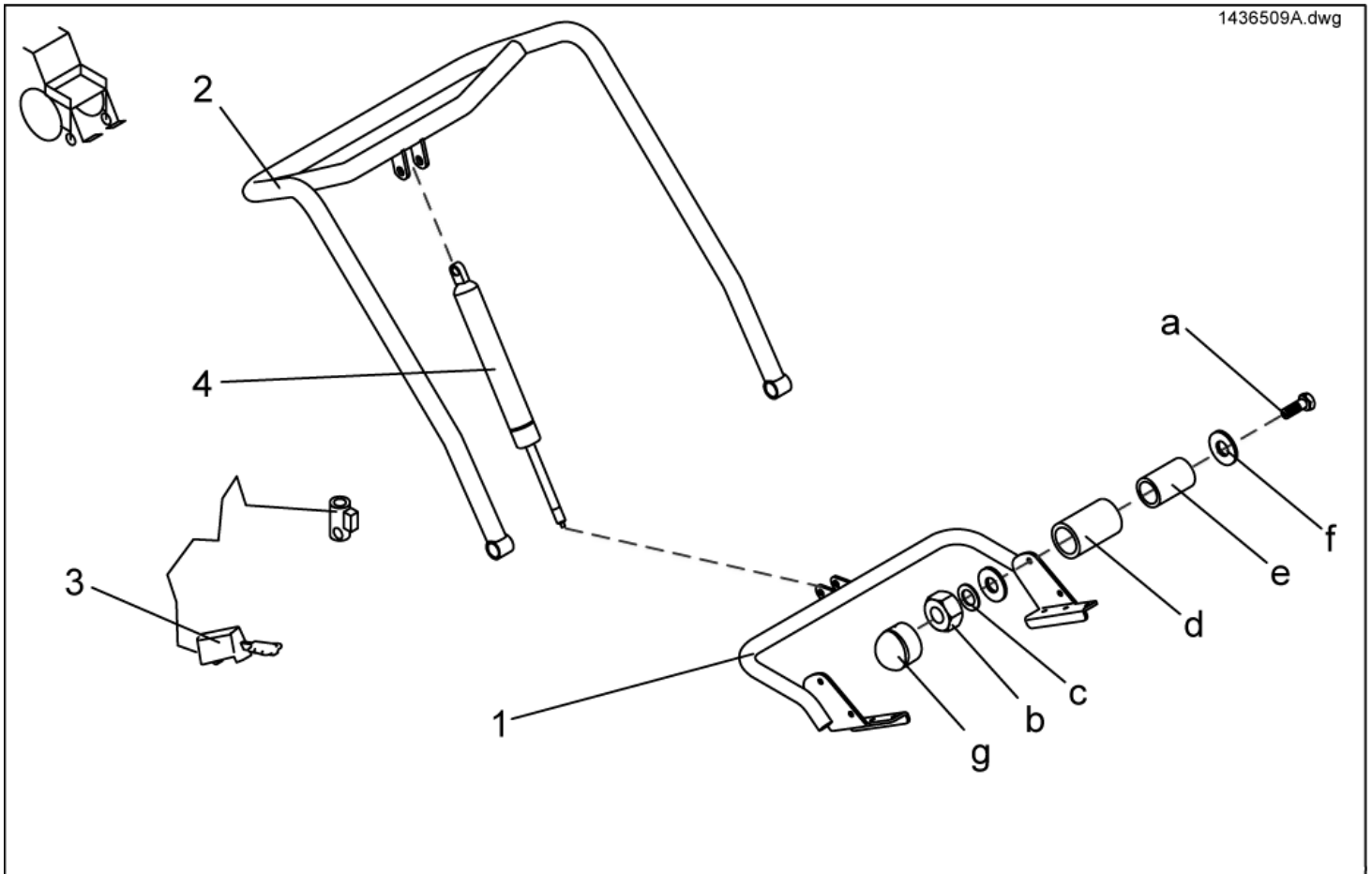


item	ordercode	description	quantity
1	1440735-9005	SEAT SUPPORT	1
2	1442655-9005	SEAT FRAME FOR ELECTRICAL TILT	1
3	1419999-9005	SEAT PLATE	1
4	P31298	REFLECTOR, YELLOW	2
5	U21087	CUSHION FIXING STRIP - VELCRO FASTENER (HOOKED) 38 X 400	2
6	1420460	CUSHION ST=41 CM	1
6	1420461	CUSHION ST=46 CM	1
6	1420462	CUSHION ST=51 CM	1
-	B260005	SEAT CUSHION CONTOUR	1
-	1435857	cushion Laguna	1
a-h	SP1423205	SEAT MOUNTING KIT (ONE-PIECE VERSION)	1
a	NA	COUNTERSUNK SOCKET HEAD SCREW M6 X 45 10.9	6
b	NA	SOCKET HEAD CAP SCREW M6 X 35	4
c	NA	NYLOC NUT M6	10
d	NA	WASHER 6,4 X 12,5 X 1,6	10
e	NA	ANGLE BRACKET LH, SB 43	1
f	NA	BOLT M10 X 20	2
g	NA	HEX HEAD SCREW M8 X 20	4
h	NA	ANGLE BRACKET RH, SB 43	1

Back Unit - Backrest adjustment setable



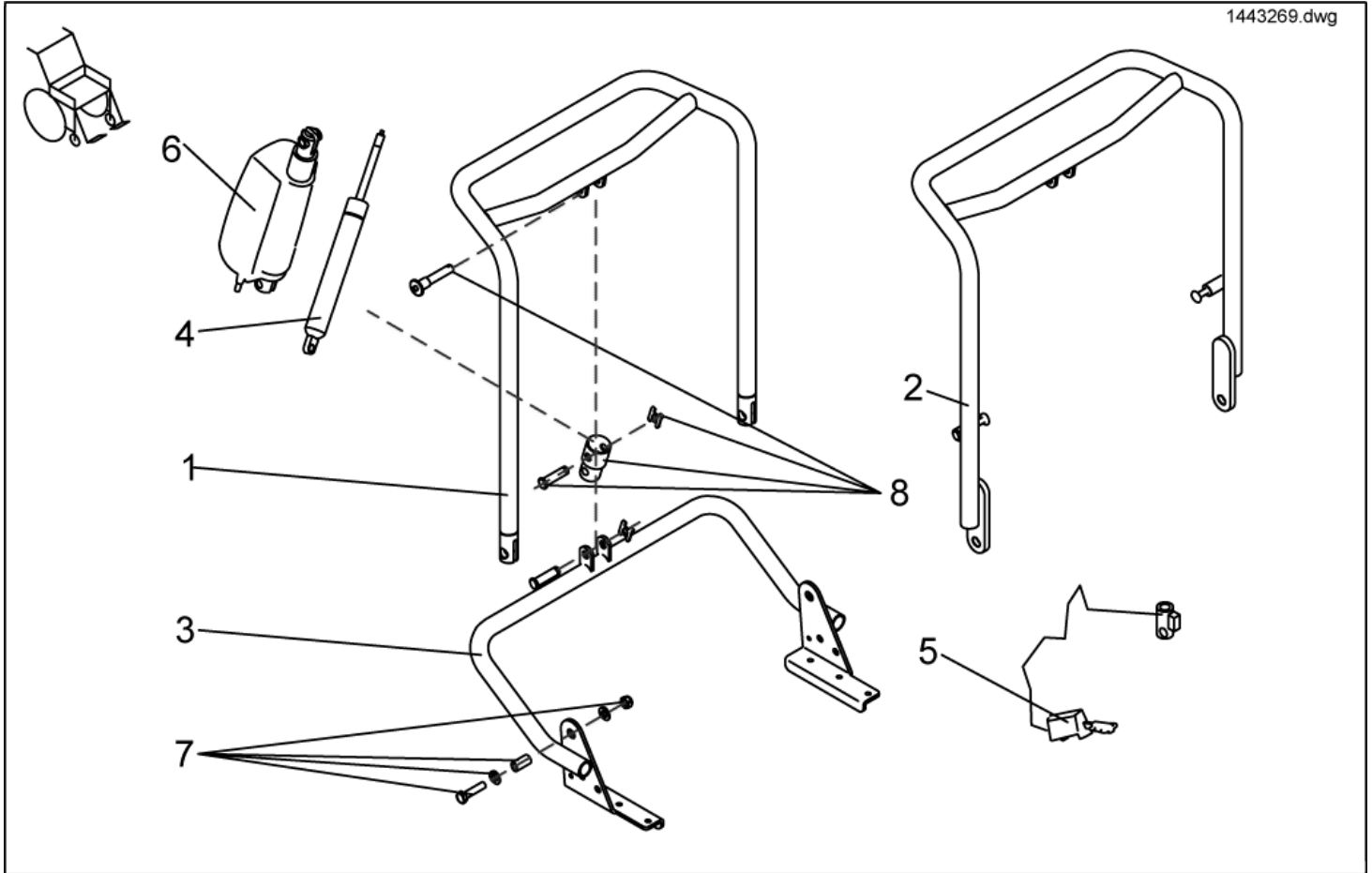
item	ordercode	description	quantity
1, a-j	SP1444987	BACK ADJUSTER STANDARD, BACK HEIGHT 48 cm, WITH BACKREST UPHOLSTERY, CPL.	1
1, a-j	SP1444988	BACK ADJUSTER STANDARD, BACK HEIGHT 54 cm, WITH BACKREST UPHOLSTERY, CPL.	1
1, a-j	SP1444989	BACK ADJUSTER KONTUR, WITHOUT BACK CUSHION, CPL.	1
1	1419996-9005	BACK TUBE 480 MM	1
1	1420465-9005	BACK TUBE 540 MM	1
1	1434878-9005	BACKTUBE CONTOUR FOR STORM® EURO	1
a-j	SP1423208	STD. BACKREST ASSEMBLY KIT CPL.	1
a	NA	BACKREST ADJUSTMENT RH	1
b	NA	BACKREST ADJUSTMENT LH	1
c	NA	HEX HEAD SCREW M8 X 35	2
d	NA	COUNTERSUNK SOCKET HEAD SCREW M6 X 16	6
e	NA	NYLOC NUT M8	2
f	NA	DOMED NYLOC NUT M6, SELF-LOCKING	6
g	NA	WASHER 8,4 X 17 X 1,6	4
h	NA	WASHER 6,4 X 12,5 X 1,6	6
i	NA	BUSH RD. 12 X 1.8 X 23	2
j	SP1420444	STAR GRIP M8 CPL.	2



item	ordercode	description	quantity
1-4, a-f	SP1436509	BACKREST ADJUSTMENT PNEUMATIC FOR STANDARD SEAT COMPLETE	1
1	1440394-9005	LOWER RECEIVING BRACKET	1
2	1440395-9005	BACKTUBE	1
3	N368003	RELEASE LEVER "STABILUS"	1
4	N368007	BACK ADJUSTER PNEUMATIC CPL.	1
a-g	F367005	FIXING KIT FOR SEAT MOUNTING	1
a	NA	AXLE BOLT M8 X 45	2
b	NA	NYLOC NUT M8	2
c	NA	WASHER 8,4 X 17 X 1,6	2
d	NA	BUSH RD. 18 X 3 X 22	4
e	NA	BUSH RD. 12 X 1.8 X 23	2
f	NA	WASHER 8,4 X 25 X 2 DIN 9021	2
g	NA	NUT CAP M8	2

Back Unit - Backrest adjustment 01/2005->

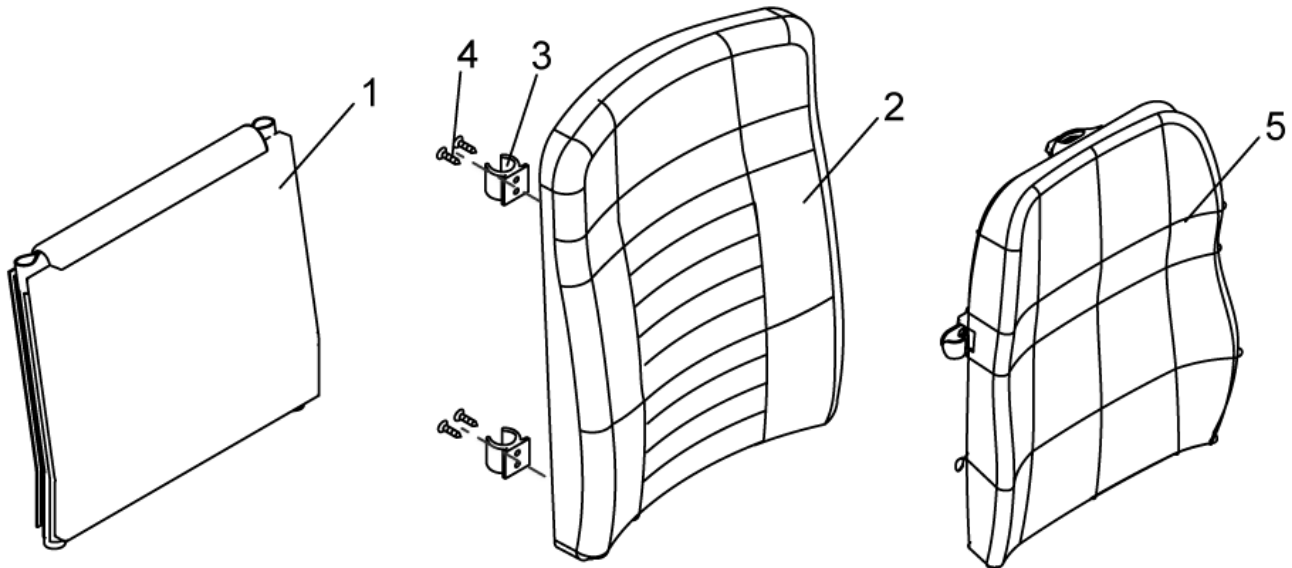
1443269.dwg



item	ordercode	description	quantity
-	SP1444990	BACK ADJUSTER STANDARD, BACK HEIGHT 48 cm, PNEUMATIC, CPL.	1
-	SP1443269	ELECTRICAL BACK ADJUSTER STANDARD, BACK HEIGHT 48 cm, CPL.	1
-	SP1444991	BACK ADJUSTER STANDARD, BACK HEIGHT 54 cm, PNEUMATIC, CPL.	1
-	SP1443270	ELECTRICAL BACK ADJUSTER STANDARD, BACK HEIGHT 54 cm, CPL.	1
-	SP1444992	BACK ADJUSTER KONTUR PNEUMATIC, CPL.	1
-	SP1443267	ELECTRICAL BACK ADJUSTER CONTUR, CPL.	1
-	SP1444993	BACK ADJUSTER LAGUNA PNEUMATIC, CPL.	1
-	SP1443268	ELECTRICAL BACK ADJUSTER LAGUNA, CPL.	1
1	1442864-9005	BACK TUBE STANDARD, BACK HEIGHT 48 CM,	1
1	1442866-9005	BACK TUBE STANDARD, BACK HEIGHT 54 CM,	1
1	1442833-9005	BACK TUBE CONTOUR	1
2	1442874-9005	BACK TUBE LAGUNA	1
3	1442845-9005	LOWER RECEIVING BRACKET	1
4	N368007	BACK ADJUSTER PNEUMATIC CPL.	1
5	N368003	RELEASE LEVER "STABILUS"	1
6	SP1446520	ACTUATOR	1
7	1446699	BACKTUBE FIXATION KIT	1
7	1446702	BACKTUBE FIXATION KIT LAGUNA	1
8	1446700	MOUNTING KIT ACTUATOR	1

Back Unit - Upholstery

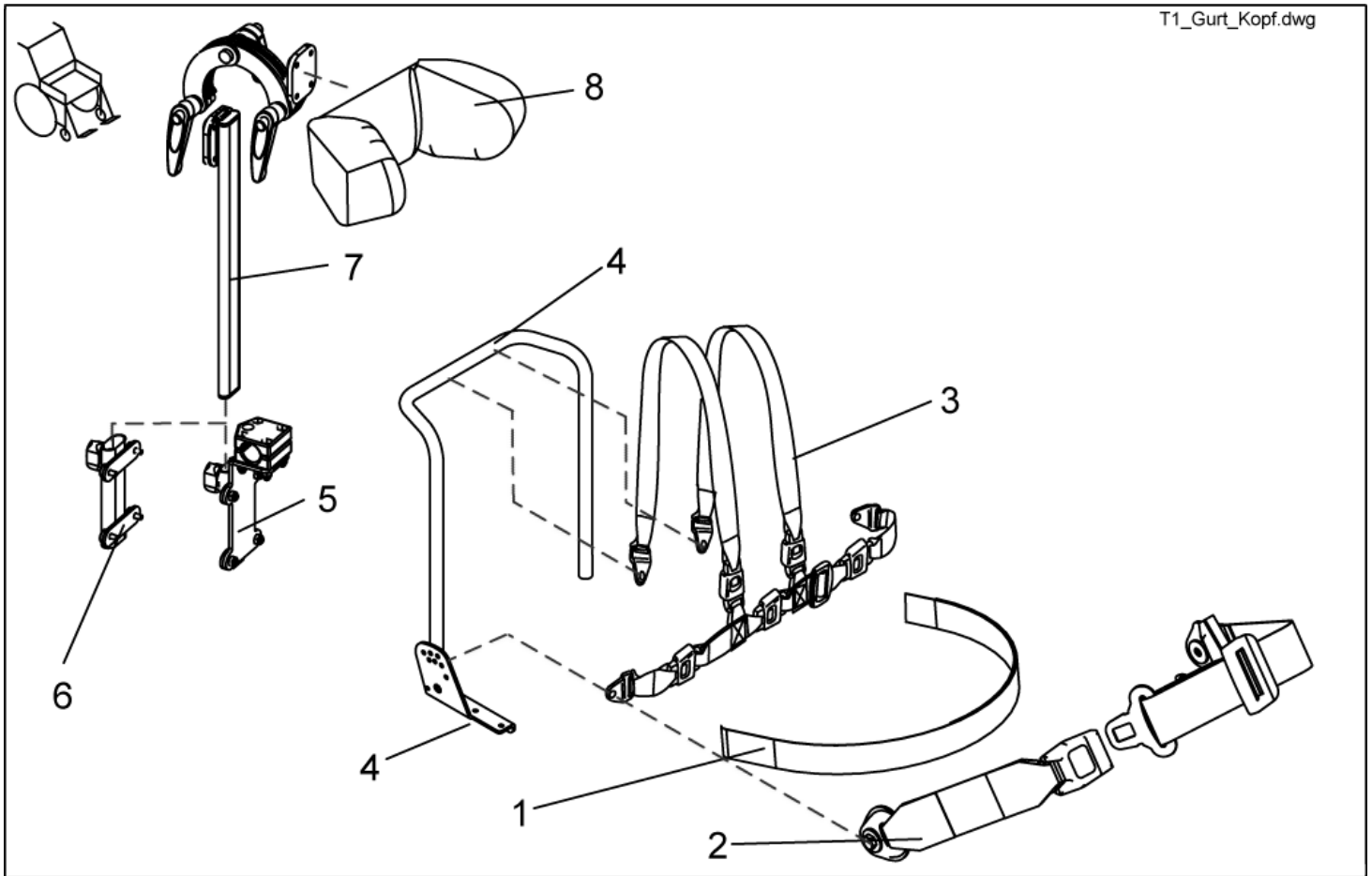
1444993.dwg



item	ordercode	description	quantity
1	1422062	BACK STRAP 480 MM	1
1	1422063	BACK STRAP 540 MM	1
2-4	SPF365037	BACK CUSHION FOR STORM® EURO CPL.	1
3+4	F367006	FIXING KIT FOR BACKREST COMFORT AND CONTUR	1
3	NA	CLAMP	4
4	NA	COUNTERSUNK SELF-TAPPING CROSS HEAD SCREW 4,8 X 22	8
5	1420072	BACK CUSHION LAGUNA	1

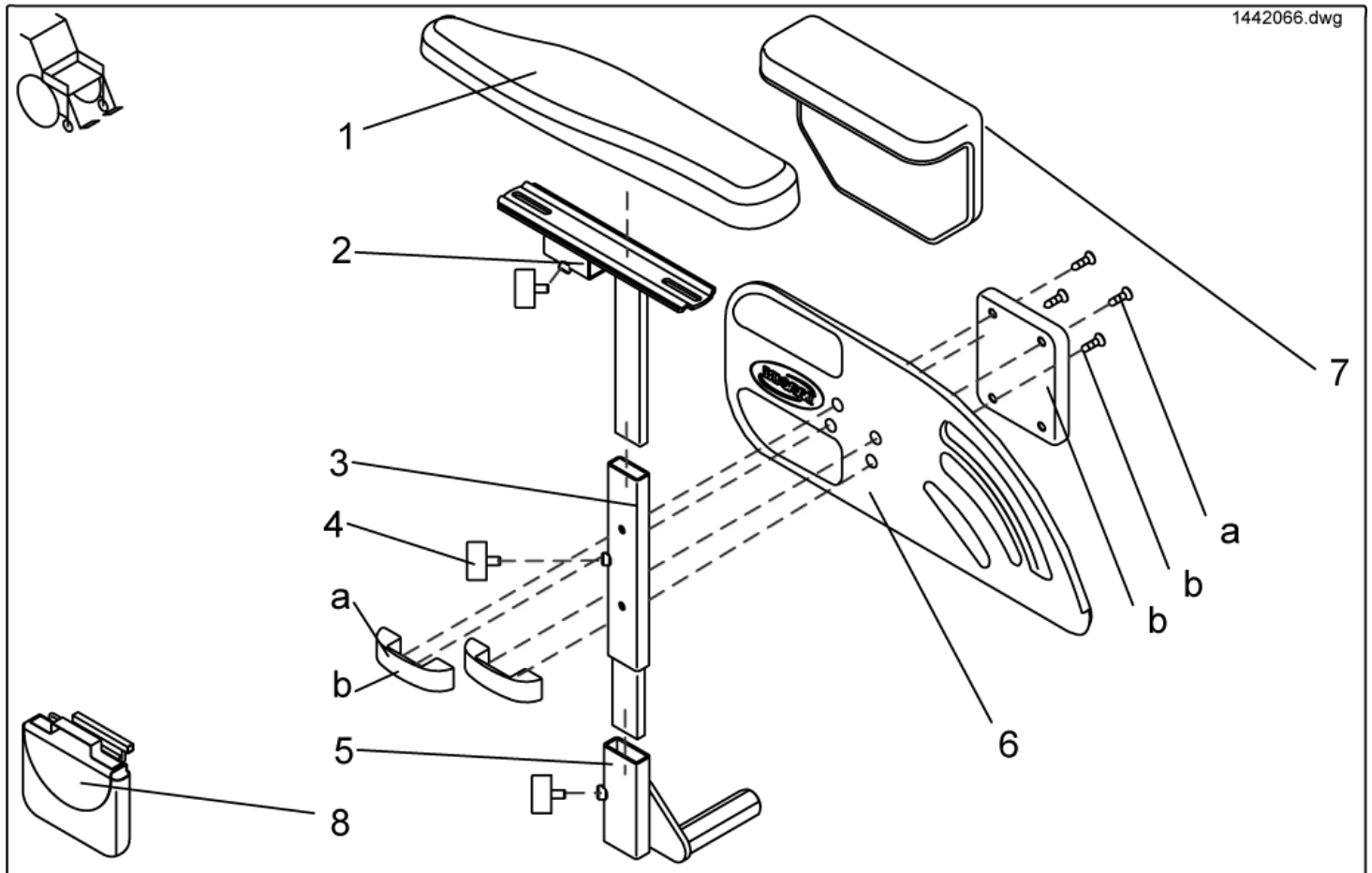
Back Unit - Straps and Head Rests

T1_Gurt_Kopf.dwg



item	ordercode	description	quantity
1	1422869	POSITIONING STRAP W. VELCRO CPL. FOR STANDARD-SEAT	1
2	1422845	POSITIONING STRAP W. SNAP CPL. FOR STANDARD-SEAT	1
3	1422848	H-STRAP STD./CONTOUR	1
4	NA	SCREW-DOWN POINTS FOR RETAINING BELTS	2, 4
5	SP1422914	HEADREST HOLDER F. STD. SEAT SYSTEM CPL.	1
6	SP1422547	HEADREST HOLDER F. CONTOUR/FLEX. SEAT SYSTEM CPL.	1
7+8	SP1422925	HEADREST CONTOUR BLACK CPL.	1
7	5255497	HEADREST HOLDER	1
8	1422865	HEADREST PAD STD./CONTOUR BLACK	1
-	1440900	HEADREST LAGUNA, CPL.	1

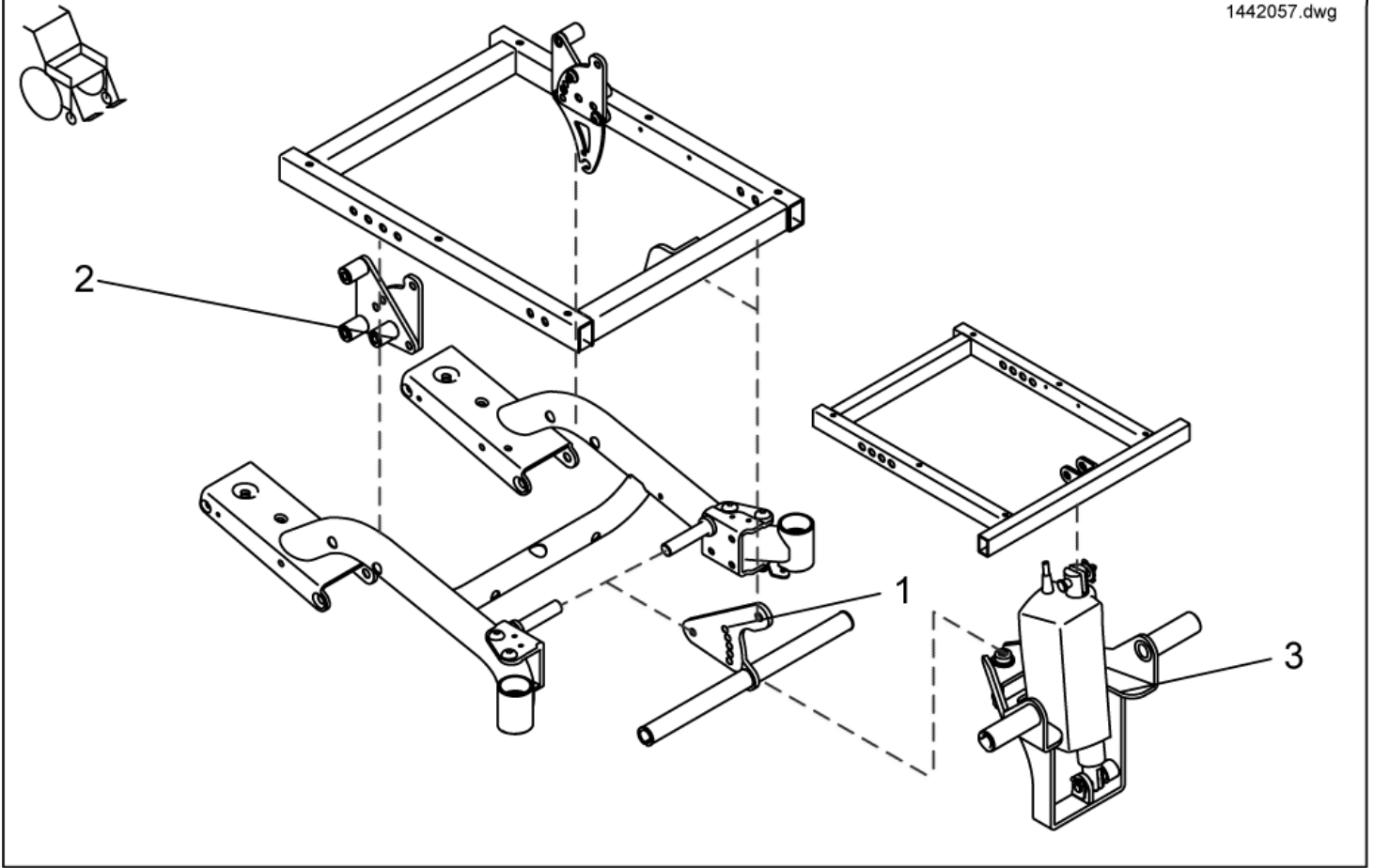
Side Panel



item	ordercode	description	quantity
1-6+a	SP1442016	SIDEREST LH CPL.	1
1-6+a	SP1442017	SIDEREST RH CPL.	1
2-5,7+b	SP1448753	SIDE PART SOFT, LEFT COMPLETELY	1
2-5,7+b	SP1448754	SIDE PART SOFT. RIGHT COMPLETELY	1
1	1442618	ARMREST PAD - LH CPL.	1
1	1442619	ARMREST PAD - RH CPL.	1
2	1442020-9005	ARM PAD RECEPTACLE LH	1
2	1442021-9005	ARM PAD RECEPTACLE RH	1
3	1442015-9005	SIDE PART ADJUSTMENT LH	1
3	1442012-9005	SIDE PART ADJUSTMENT RH	1
4	L10024	WING SCREW M6 X 16	3
5	1442024-9005	ARMREST SUPPORT TUBE LH	1
5	1442025-9005	ARMREST SUPPORT TUBE RH	1
6	1433291	SIDE PART PLATE LH CPL.	1
6	1433292	SIDE PART PLATE RH CPL.	1
7	1450100	ARM REST PAD SOFT LEFT WITH MOUNTING MATERIAL	1
7	1450102	ARM REST PAD SOFT RIGHT WITH MOUNTING MATERIAL	1
a	1450296	FIXING KIT SIDE PART PLATE	2
b	1450095	ASSEMBLY KIT; SIDE PART PLATE SOFT	2
8	SP1430417	BAG FOR SIDE PANEL LH CPL.	1
8	SP1430416	BAG FOR SIDE PANEL RH CPL.	1

Lifter

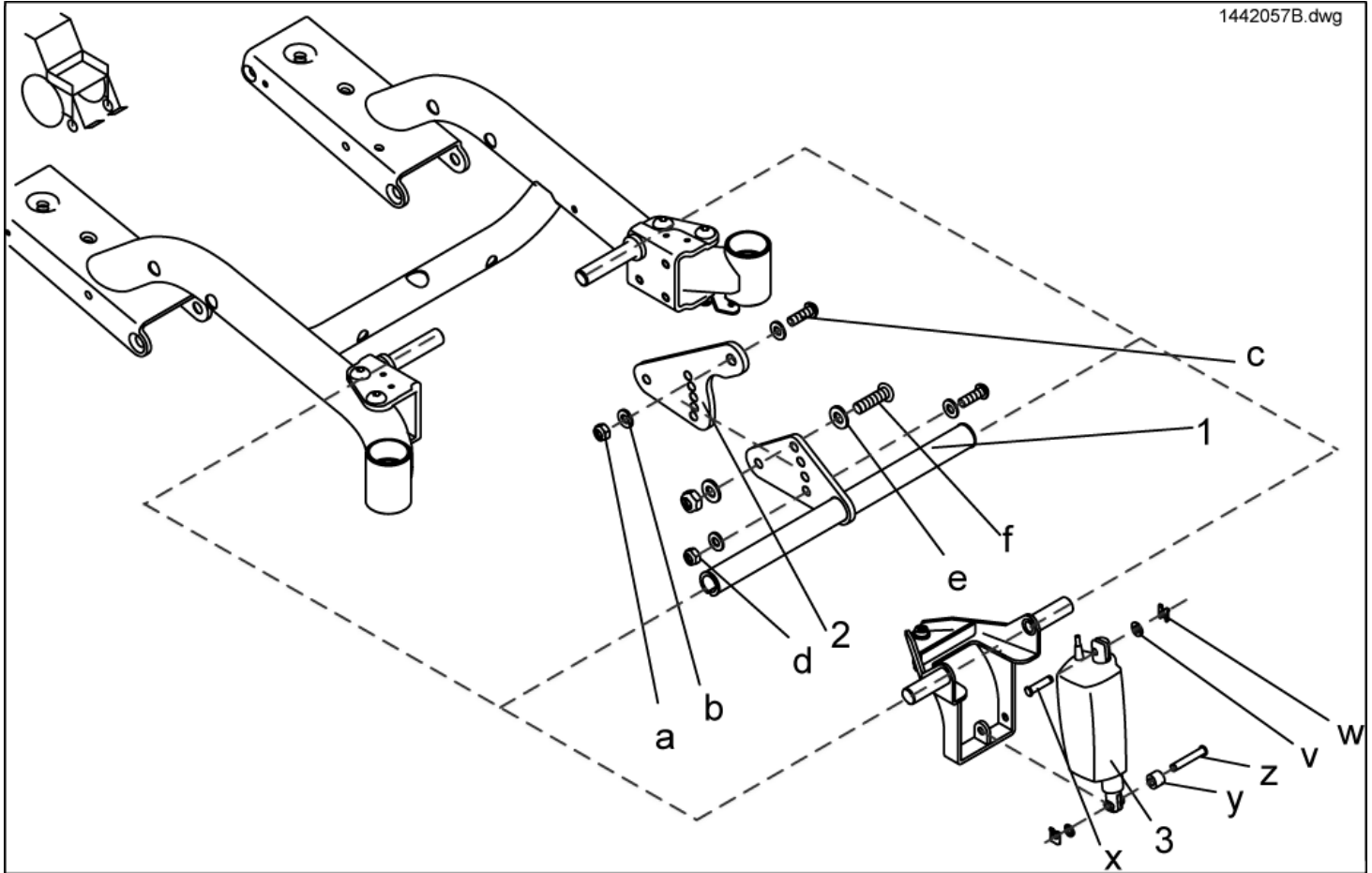
1442057.dwg



item	ordercode	description	quantity
1	SP1440716	MANUAL SEAT ANGLE ADJUSTING COMPLETE	1
2	SP1440762	MANUAL SEAT HEIGHT ADJUSTING COMPLETE, LEFT	1
2	SP1440761	MANUAL SEAT HEIGHT ADJUSTING COMPLETE, RIGHT	1
3	SP1442796	ELECTRIC SEAT ANGLE ADJUSTER ; CPL.	1

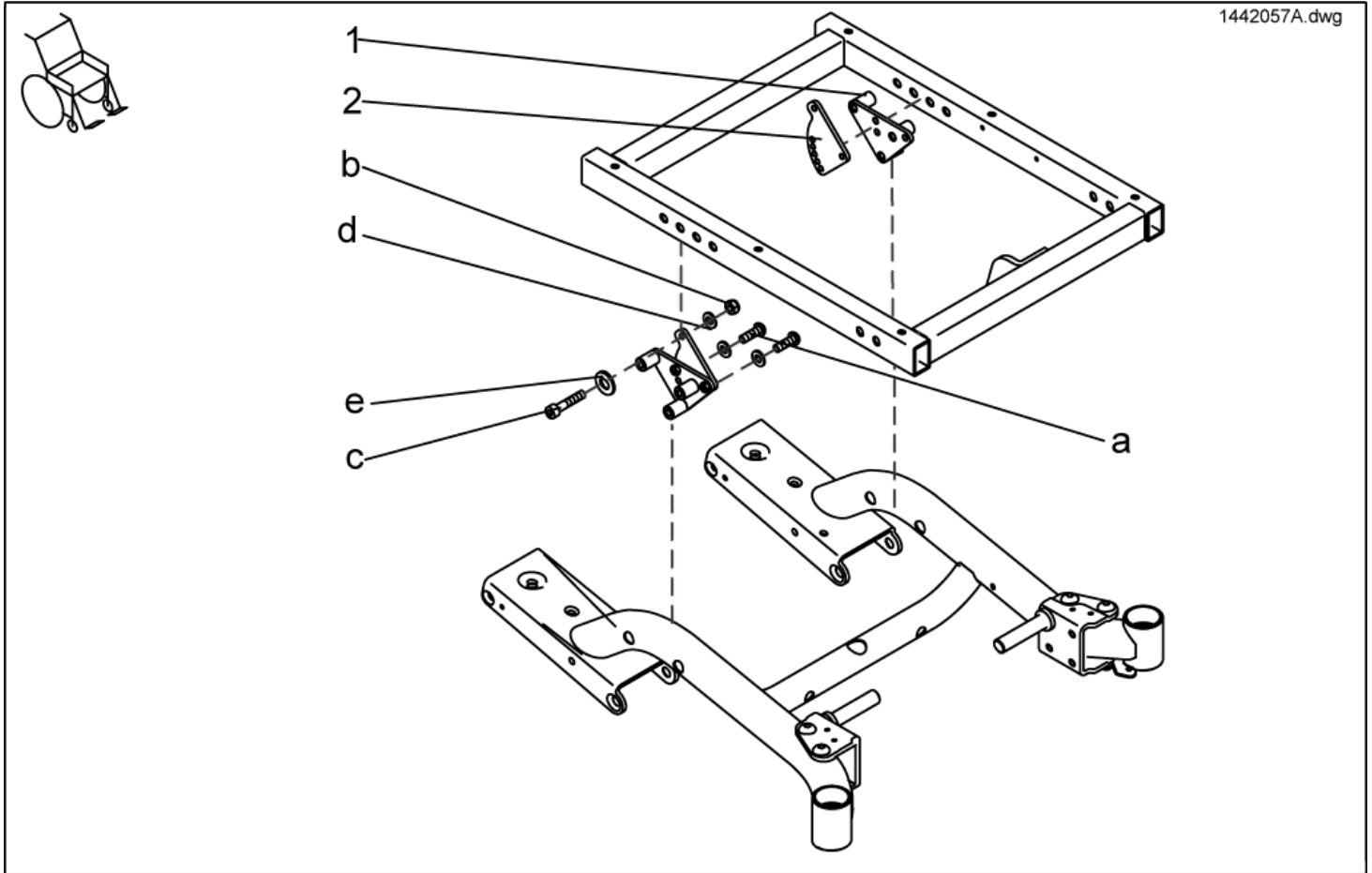
Seat angle adjusting

1442057B.dwg



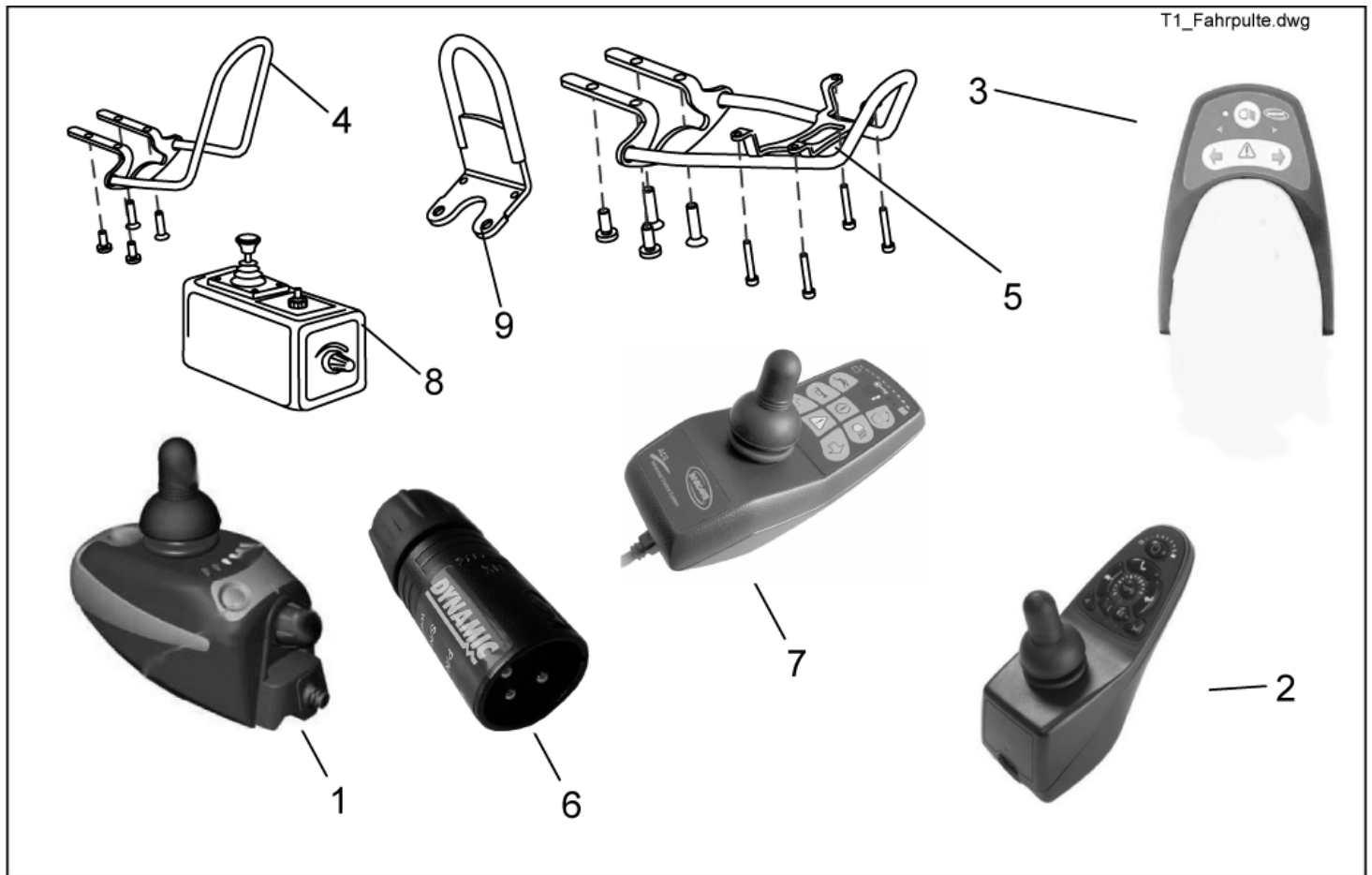
item	ordercode	description	quantity
1	1440744-9005	CROSS TUBE	1
2	1440718-9005	TOP FIXING PLATE	1
a-f	1442595	MOUNTING KIT TILT AND FRONT SEAT FIXATION	1
a	NA	NYLOC NUT M10 DIN 985	1
b	NA	WASHER 10,5 X 21 X 2 DIN 125	2
c	NA	BOLT M10 X 35 DIN 7380	1
d	NA	NYLOC NUT M8	2
e	NA	WASHER 8,4 X 17 X 1,6	4
f	NA	SCREW M8 X 25	2
3	SP1446521	ACTUATOR LA 28.25S-75-24-002	1
v-z	1446515	MOUNTING KIT ACTUATOR SEAT ANGLE	1
v	NA	WASHER 10,5 X 18 X 1,6	2
w	NA	SL-LOCKING WASHER 10 MM	2
x	NA	BOLT 10 x 44 MM	1
y	NA	SPACER 10,5 X 21 X 16	1
z	NA	BOLT 10 x 62 MM	1

Seat high adjusting



item	ordercode	description	quantity
1	1440763-9005	PLATE BLACK LEFT	1
1	1440733-9005	PLATE BLACK RIGHT	1
2	1440721-9005	FIXING PLATE	2
a-e	1442594	MOUNTING KIT LIFTER AND REAR SEAT FIXATION	2
a	NA	SCREW M8 X 25	2
b	NA	NYLOC NUT M8	1
c	NA	SOCKET HEAD CAP SCREW M8 X 40	1
d	NA	WASHER 8,4 X 17 X 1,6	2
e	NA	WASHER 8,4 X 25 X 2 DIN 9021	2

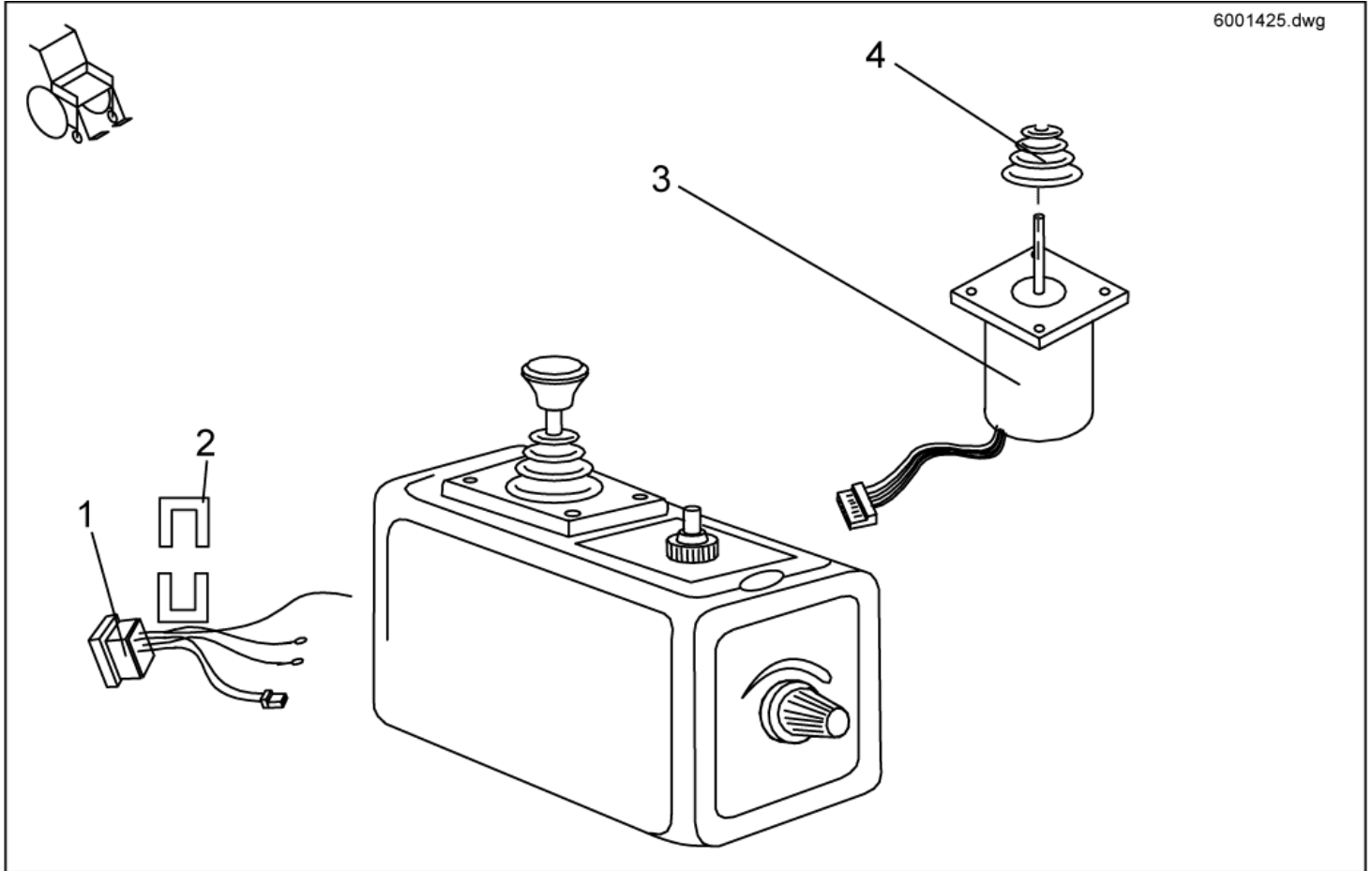
Control Unit/ Joystickbox



item	ordercode	description	quantity
1	1441612	REMOTE SHARK WITH BUS CABLE 1,5M	1
1	1448743	REMOTE SHARK B11, FOR ELECTRICAL ADJUSTMENTS, WITH BUSCABLE 1,5M	1
2	SP1440287	REMOTE SHARK WITH LIGHTENING	1
2	SP1445005	REMOTE SHARK B11 FOR ELECTRICAL ADJUSTMENTS, WITH LIGHTENING AND BUSCABLE 1,5M	1
3	1440541	LIGHTING REMOTE	1
4	SP1440312	GUARD BOW FOR SHARK REMOTE CPL.	1
4	SP1422828	GUARD BOW F. REM 24 REMOTE CPL.	1
5	1442691	GUARD BOW FOR SHARK WITH LIGHTS REMOTE CPL.	1
-	6001450	ACS-HAND PROGRAMMER, "F; GER; ESP"	1
-	P10062	WIZARD SOFTWARE	1
-	SP1419695	MAGNETIC KEY W. POUCH CPL.	1
-	GSM63011	ACS- BUS CABLE L=1100 MM; BLACK	1
-	GSM63011	ACS- BUS CABLE L=1100 MM; BLACK	1
-	1444717	SHARK-ATTENDANT CONTROL, SWITCHABLE	1
-	1449299	SHARK SUPPLEMENTARY PART OPERATION FOR ACCOMPANYING PERSON, SWITCHABLE	1
6	1441551	PROGRAMMING ADAPTER SHARK (UNCONDITIONALLY NECESSARY TO PROGRAM SHARK)	1
7	1436541	REMOTE REM 24 SD	1
8	6001425	ACS CTRL. FOR ATTENDANT SWITCHABLE	1

Attendant Control

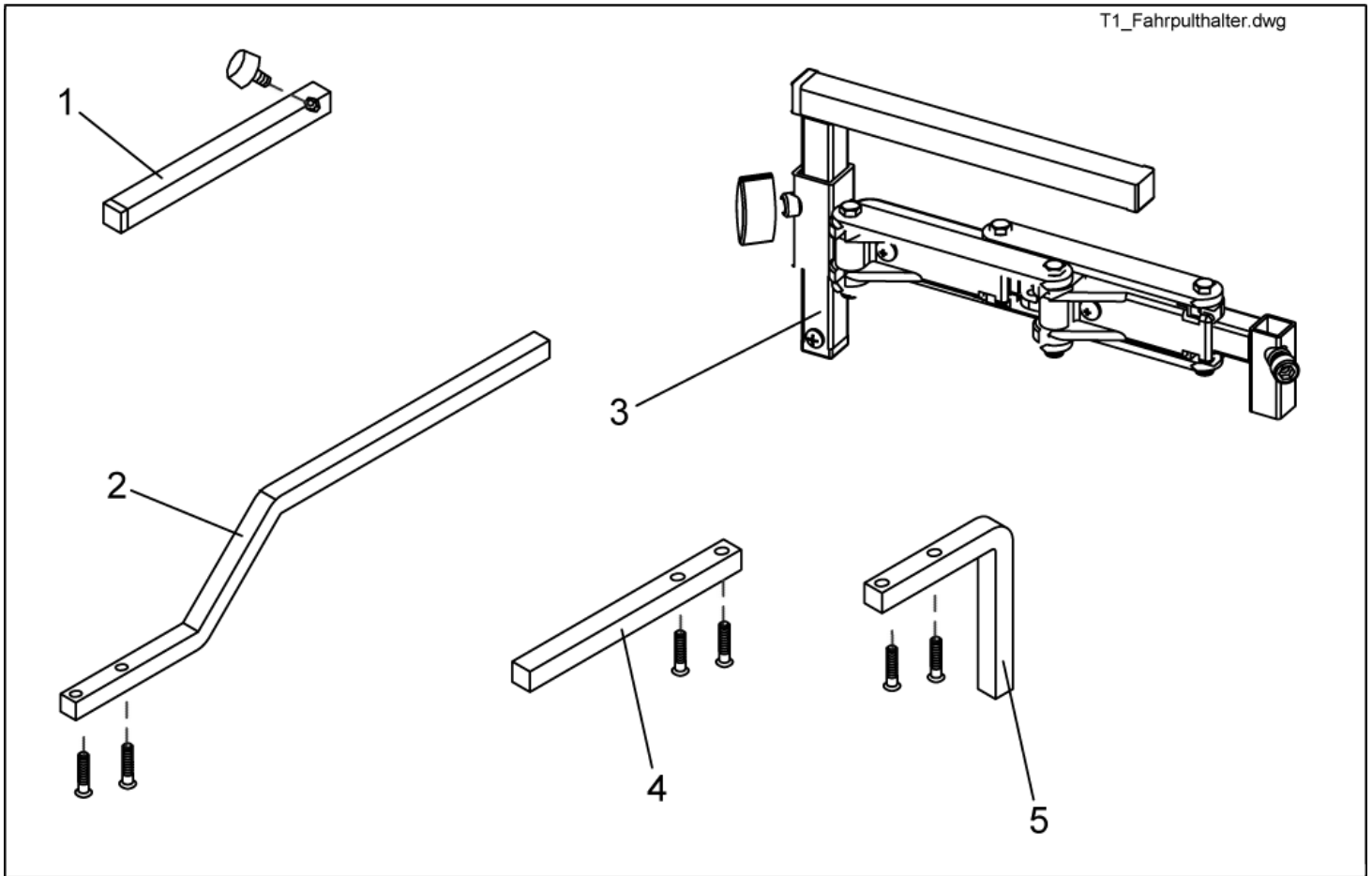
6001425.dwg



item	ordercode	description	quantity
1	P41105	BUS CABLE SOCKET	1
2	GME61927	FIXING CLAMP	1
3	P10304	JOYSTICK	1
4	Z183001A	RUBBER GAITER; BLACK	1

Control Unit support

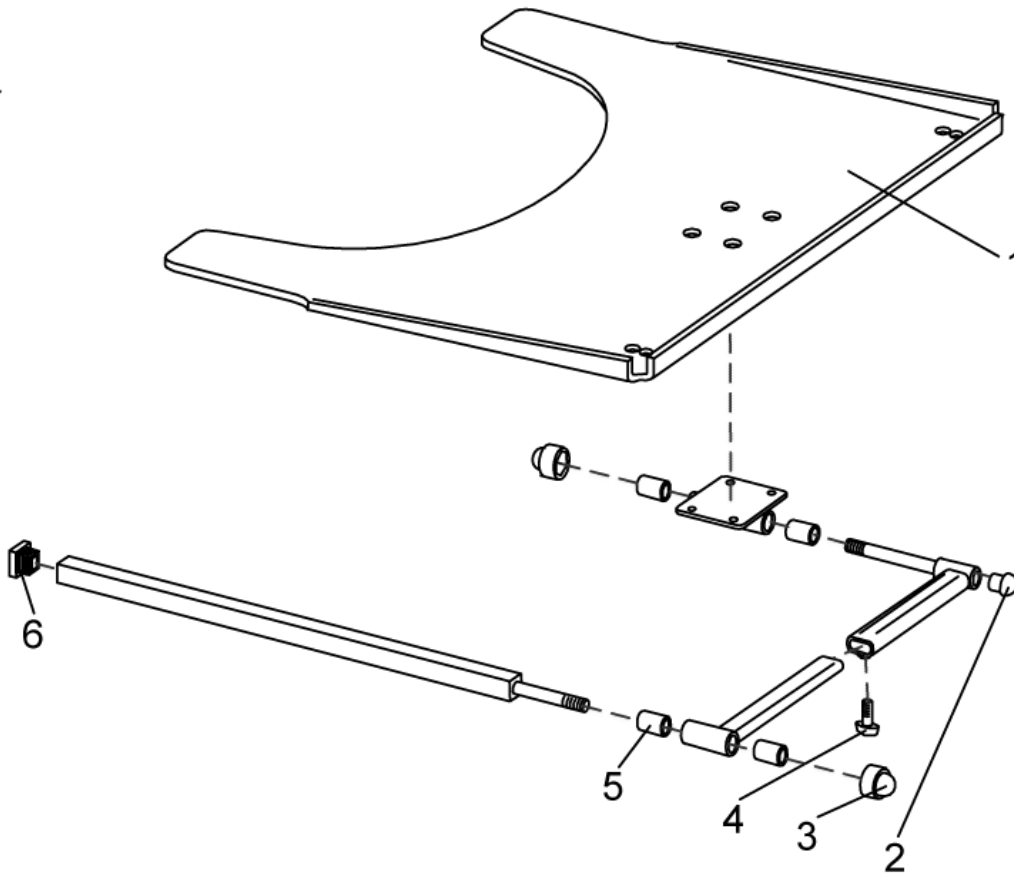
T1_Fahrpulthalter.dwg



item	ordercode	description	quantity
1	SPS183040	REMOTE HOLDER STANDARD	1
2	1442777	REMOTE SUPPORT SHARK, CPL. WITH SCREWS	1
3	SP1421796	SWING-OUT REMOTE HOLDER LH	1
3	SP1421795	SWING-OUT REMOTE HOLDER RH	1
4	SP1436542	REMOTE SUPPORT REM 24 SD STANDARD, CPL. WITH SCREWS	1
5	SP1436543	SWING-OUT REM 24 SD AND SHARK REMOTE HOLDER, CPL.	1
-	SP1422818	ASSEMBLY KIT F. SWITCHABLE CARER CONTROL CPL.	1

Desk

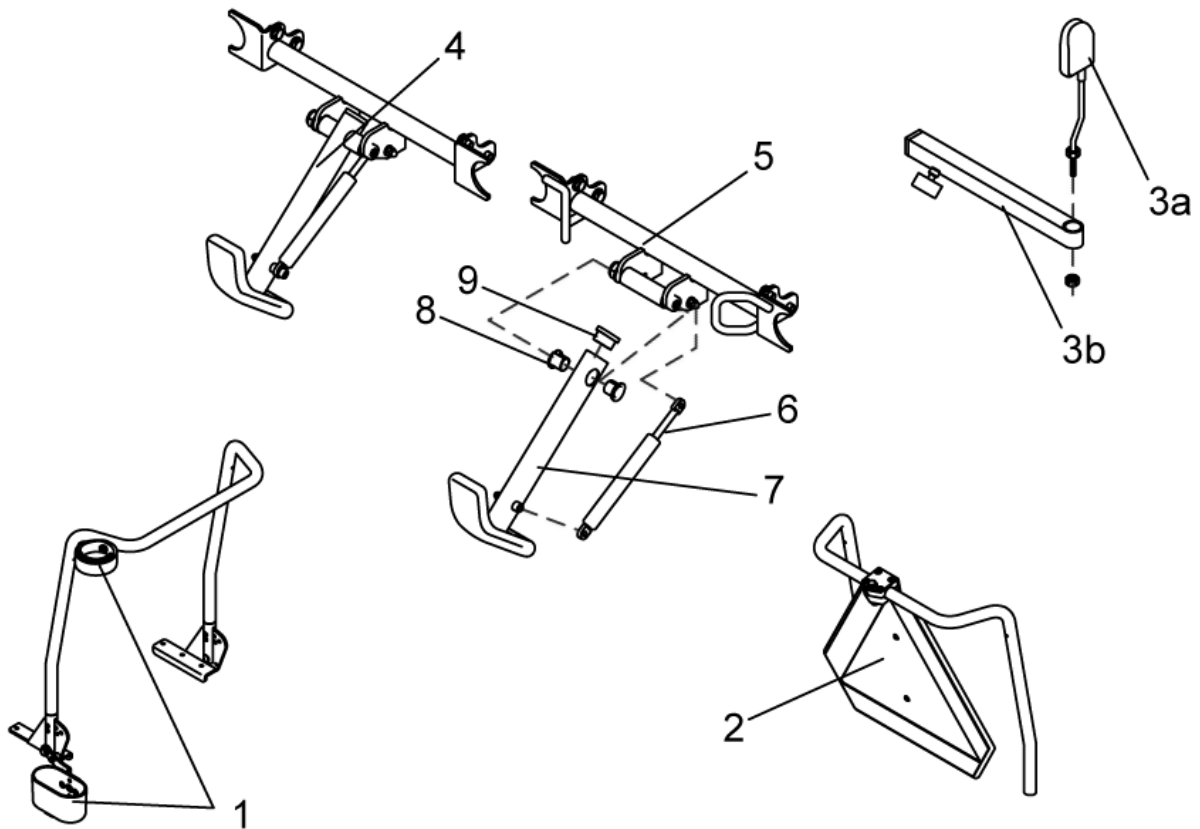
Z177036A.dwg



item	ordercode	description	quantity
-	SP1422952	SWING-OUT TRAY F. CONTROL LH CPL.	1
-	SP1422953	SWING-OUT TRAY F. CONTROL RH CPL.	1
-	SPZ177011	TRAY SUPPORT FIXING KIT CPL.	1
1	Z17024A	TRAY 660 X 540 X 8; TRANSPARENT	1
1	Z177017	TRAY-LH CONTROL; TRANSPARENT	1
1	Z177016	TRAY-RH CONTROL; TRANSPARENT	1
2	L01008	TUBE END PLUG SL 22	1
3	L01037	NUT CAP M12	2
4	L31001	HAND KNOB M6 X 10	1
5	Z17032A	BUSH RD. 19 X 3.5 X 25	4
6	L01055	TUBE END PLUG E 15 X 15	2

Options

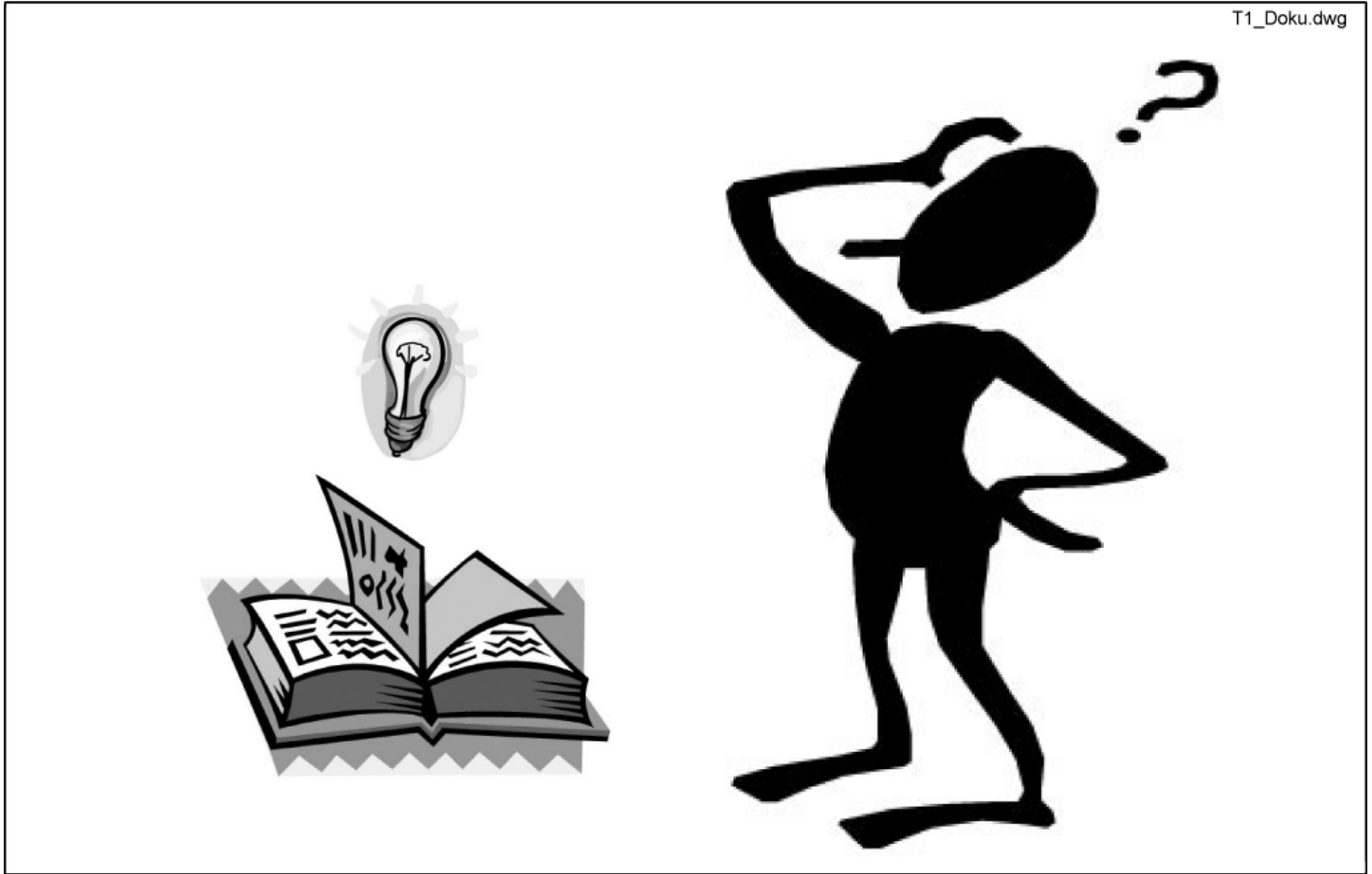
T1_Option.dwg



item	ordercode	description	quantity
1	SP1422844	CANE HOLDER STD. CPL.	1
2	SP1430410	REAR MARKING SIGN ECE-R 69 CPL.	1
-	1430834	REAR MARKING SIGN ECE-R 69	1
-	Z12008A.P40	GRIPPING CLIP W. HEXAGON HOLE	2
-	SP1434453	CURBCLIMBER WITH FRONT FIXATION CPL.	1
-	Q99991	PUMP WITH INSERT HOSE	1
-	SP1422868	ON-BOARD TOOLS C/W BAG, REPLACEMENT SET	1
3a+3b	SP1422881	REAR MIRROR RECARO CPL.	1
3a	SP1422955	REAR MIRROR F. STD. / COMFORT SEAT CPL.	1
3b	SP1423435	REAR MIRROR SUPPORT RAIL CPL.	1
4	SP1418452	KERB CLIMBER CPL.	1
5	1434454-9005	KERBSTONE RAISER RECEPTACLE WITH FIXING BRACKETS	1
6	N10499	GAS STRUT	1
7	1433733	KERB CLIMBER WITH SHOE	1
8	N02201	BUSH BB 1517 DU	2
9	L01039	TUBE END PLUG F 38 X 20	1

Documentation - User Manuals Dragon

- You will find documentation for downloading on our Internet pages.



item	ordercode	description	quantity
1	1442480	USER MANUAL DRAGON "GERMAN"	1
2	1442477	USER MANUAL DRAGON "ENGLISH"	1
3	1442479	USER MANUAL DRAGON "FRENCH"	1
4	1442476	USER MANUAL DRAGON "DUTCH"	1
5	1442484	USER MANUAL DRAGON "SPANISH"	1
6	1442481	USER MANUAL DRAGON "ITALIAN"	1
7	1442485	USER MANUAL DRAGON "SWEDISH"	1
8	1442482	USER MANUAL DRAGON "NORWEGIAN"	1
9	1443130	USER MANUAL DRAGON "slovenian"	1
10	1443131	USER MANUAL DRAGON "slovak"	1
11	1443132	USER MANUAL DRAGON "polish"	1
12	1443133	USER MANUAL DRAGON "hungarian"	1
13	1443134	USER MANUAL DRAGON "czech"	1

deutsch

english

français

netherlands

español

portugues

suomi

svenska

norsk

dansk

italiano

item	ordercode	description	quantity
1	1436151	USER MANUAL SHARK "GERMAN"	1
2	1436153	USER MANUAL SHARK "ENGLISH"	1
3	1436152	USER MANUAL SHARK "FRENCH"	1
4	1436157	USER MANUAL SHARK "DUTCH"	1
5	1436158	USER MANUAL SHARK "SPANISH"	1
6	1436159	USER MANUAL SHARK "PORTUGUESE"	1
7	1436383	USER MANUAL SHARK "ITALIAN"	1
8	1436384	USER MANUAL SHARK "FINNISH"	1
9	1436154	USER MANUAL SHARK "SWEDISH"	1
10	1436156	USER MANUAL SHARK "NORWEGIAN"	1
11	1436155	USER MANUAL SHARK "DANISH"	1

deutsch

english

français

netherlands

español

portugues

suomi

svenska

norsk

dansk

italiano

item	ordercode	description	quantity
1	1436142	USER MANUAL REM 24 SD "GERMAN"	1
2	1436144	USER MANUAL REM 24 SD "ENGLISH"	1
3	1436143	USER MANUAL REM 24 SD "FRENCH"	1
4	1436148	USER MANUAL REM 24 SD "DUTCH"	1
5	1436149	USER MANUAL REM 24 SD "SPANISH"	1
6	1436150	USER MANUAL REM 24 SD "PORTUGUESE"	1
7	1436385	USER MANUAL REM 24 SD "ITALIAN"	1
8	1436386	USER MANUAL REM 24 SD "FINNISH"	1
9	1436145	USER MANUAL REM 24 SD "SWEDISH"	1
10	1436147	USER MANUAL REM 24 SD "NORWEGIAN"	1
11	1436146	USER MANUAL REM 24 SD "DANISH"	1

Documentation - User Manuals miscellaneous

- You will find documentation for downloading on our Internet pages.

deutsch

english

français

netherlands

español

portugues

suomi

svenska

norsk

dansk

italiano

item	ordercode	description	quantity
1	Q99083	USER MANUAL ACS-CHINCONTROL "GERMAN"	1
1	1419316	USER MANUAL HANDHELDPROGRAMMER "GERMAN"	1
1	1419317	USER MANUAL HANDHELDPROGRAMMER "ENGLISH"	1
1	Q99081	OPERATION INSTRUCTION, TRAY-/CENTRAL STEERING	1
2	Q99086	USER MANUAL ACS-CHINCONTROL "ENGLISH"	1
3	Q99082	USER MANUAL ACS-CHINCONTROL "FRENCH"	1